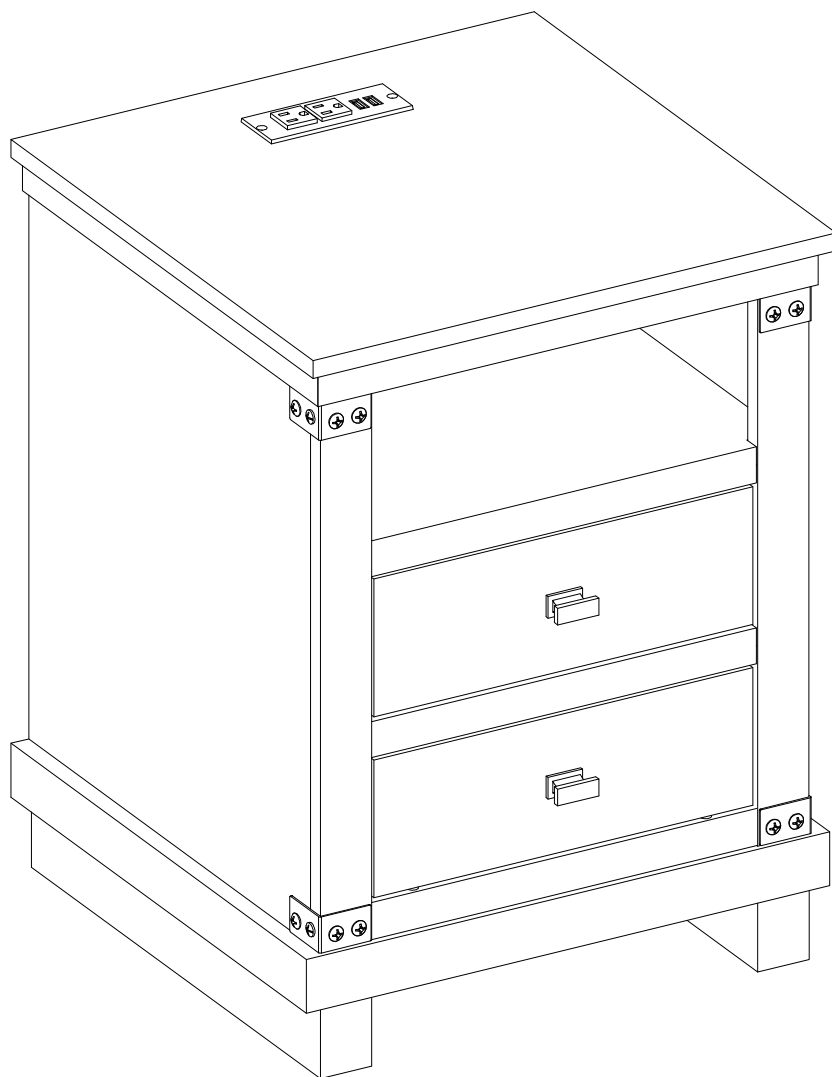
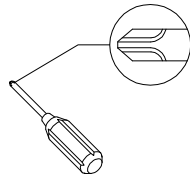


Assembly Instructions

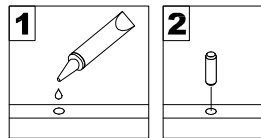


General Assembly Guidelines

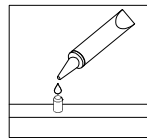
- I. Ensure that all parts and hardware are available before beginning assembly.
- II. Follow each step carefully to ensure the proper assembly of this product.
- III. Two people are recommended for ease in the assembly of this product.
- IV. A Phillips head screwdriver is required for the assembly of this product .



- V. The provided glue is to secure wood dowels in place . When first inserting dowels , locate the appropriate hole for the dowel , place a small amount of glue in the hole and insert the dowel . Wipe away excess glue immediately.

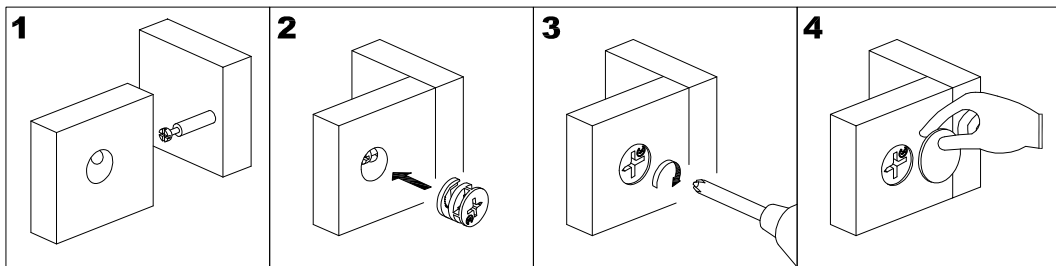


In future assembly steps when dowels are necessary to attach assembly parts together , place a small amount of glue on the end of the dowel before attaching parts together . Wipe away excess glue immediately.

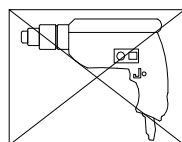


VI HOW THE KNOCK DOWN (KD) ASSEMBLY SYSTEM WORKS

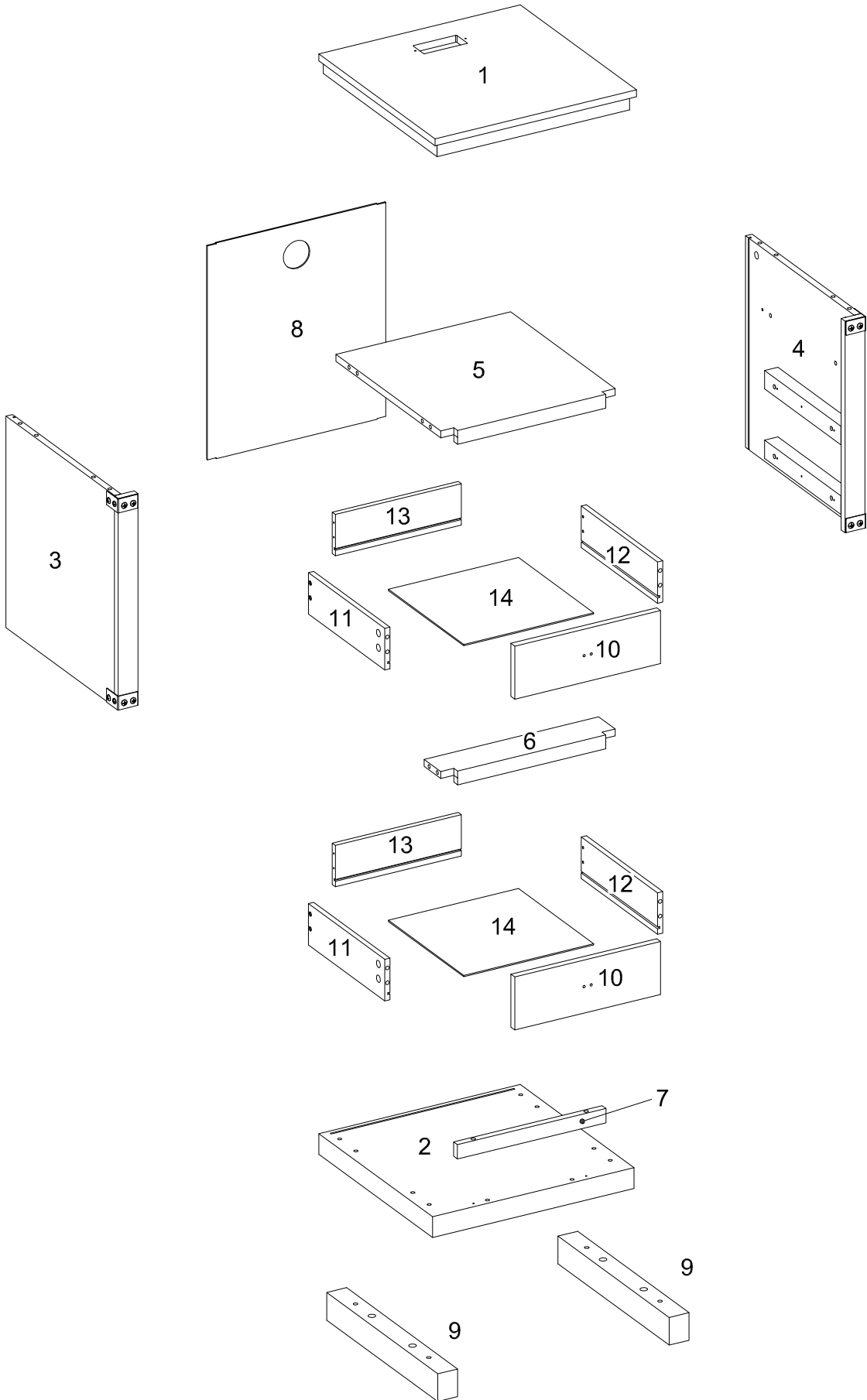
- 1.Screw the Cam Bolt into the pre-drilled hole on the panel. Make sure Cam Bolt goes into the pre-drilled hole on the end of panel for Cam Lock.
- 2.Insert the Cam Lock into the pre-drilled large hole on the panel. Make sure the arrow on the face of Cam Lock points towards Cam Bolt.
- 3.Take a Phillips screwdriver and rotate the Cam Lock clockwise to lock the Cam Bolt.
- 4.Use the sticker to conceal the Cam.




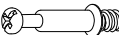


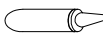



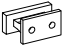



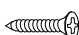


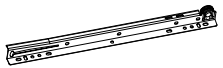
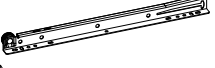
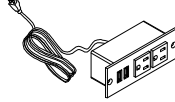
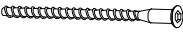

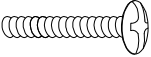


- VII. Power tools should not be used to assemble this product .

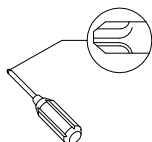


Parts List



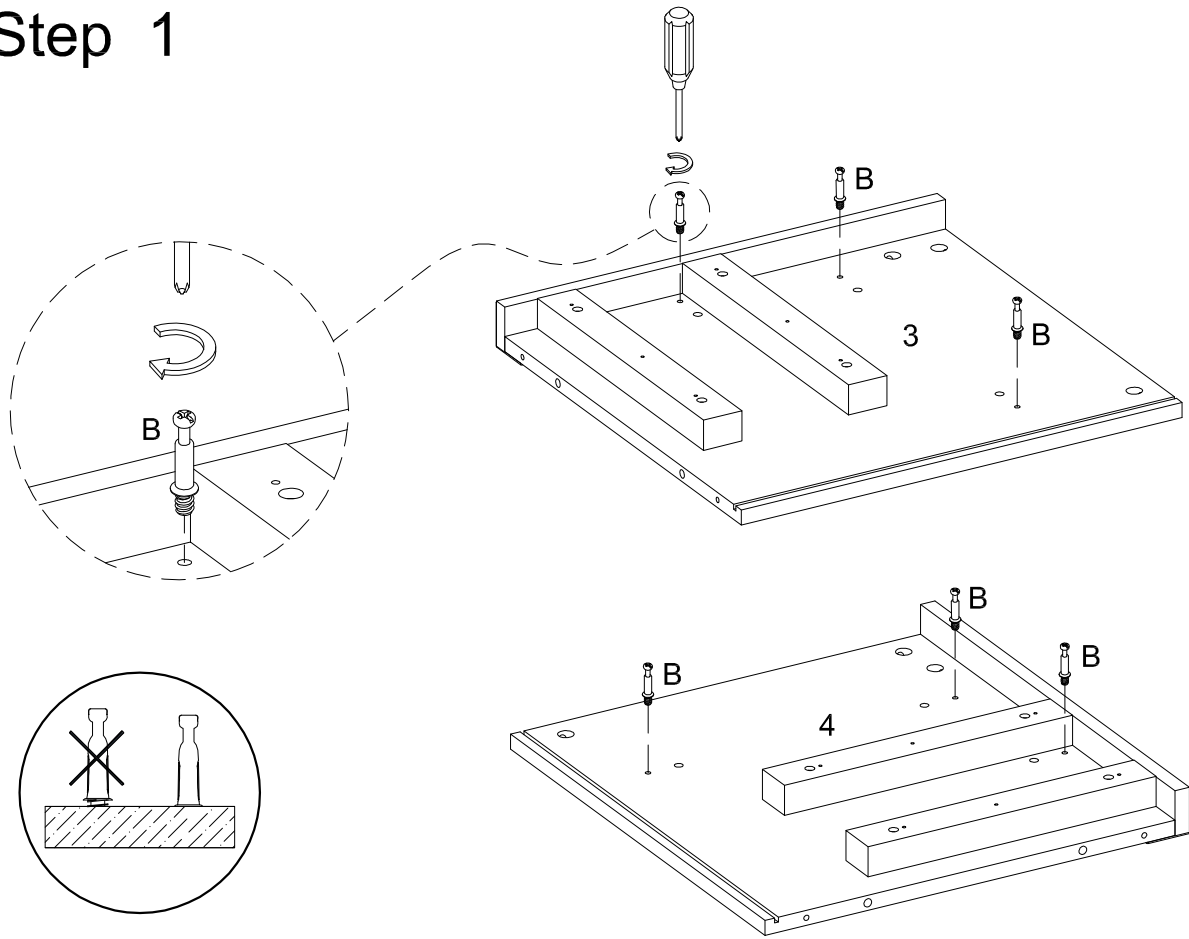
Hardware List

A		Ø8x30mm	Wooden dowel	16 pcs
B		Ø6x35mm	Cam bolt	18 pcs
C		Ø15x11mm	Large Cam lock	10 pcs
D		Ø30mm	Cam cover	18 pcs
E			Glue tube	1 pc
F			Plastic wedge	4 pcs
G		Ø3x17mm	Flat-head screw	4 pcs
H		Ø4x22mm	Handle bolt	4 pcs
J			Knob	2 pcs
K		Ø15x9.5mm	Small Cam lock	8 pcs
L		Ø4x38mm	Screw	10 pcs
M		M 4	Hex key	1 pc
N		Ø3.5x12mm	Screw	26 pcs
P		12"	Left Glide Track	2 pcs
Q		12"	Right Glide Track	2 pcs
R		12"	Left Glide Runner	2 pcs
S		12"	Right Glide Runner	2 pcs
T			USB Interface	1 pc
U		Ø7x85mm	Screw	4 pcs
V		Ø15x60mm	Wooden dowel	4 pcs
W		Ø5/16x70mm	Bolt	4 pcs
X		Ø13x1mm	Lock Washer	4 pcs
Y		Ø16x1mm	Flat Washer	4 pcs

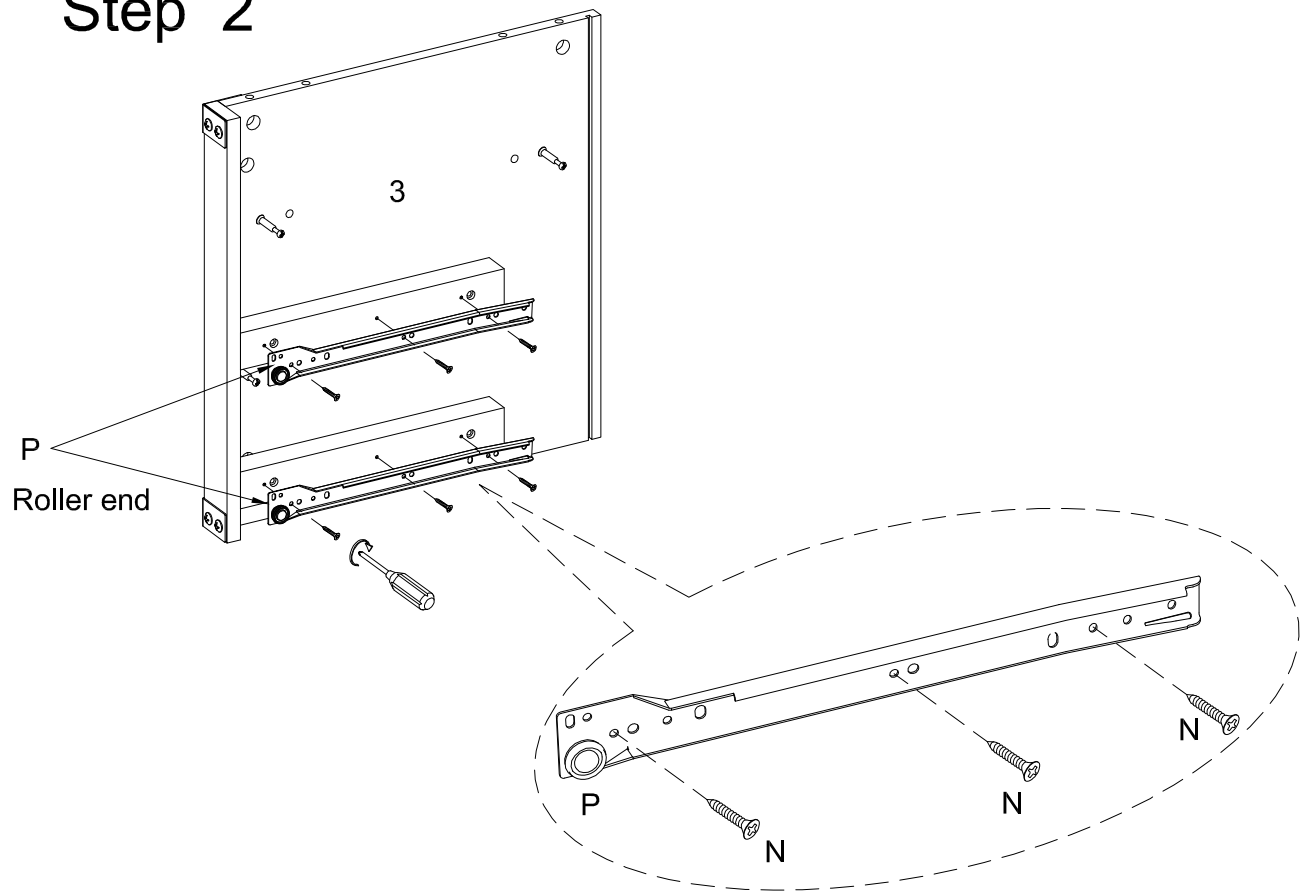


Philips head screwdriver required for assembly
(not included)

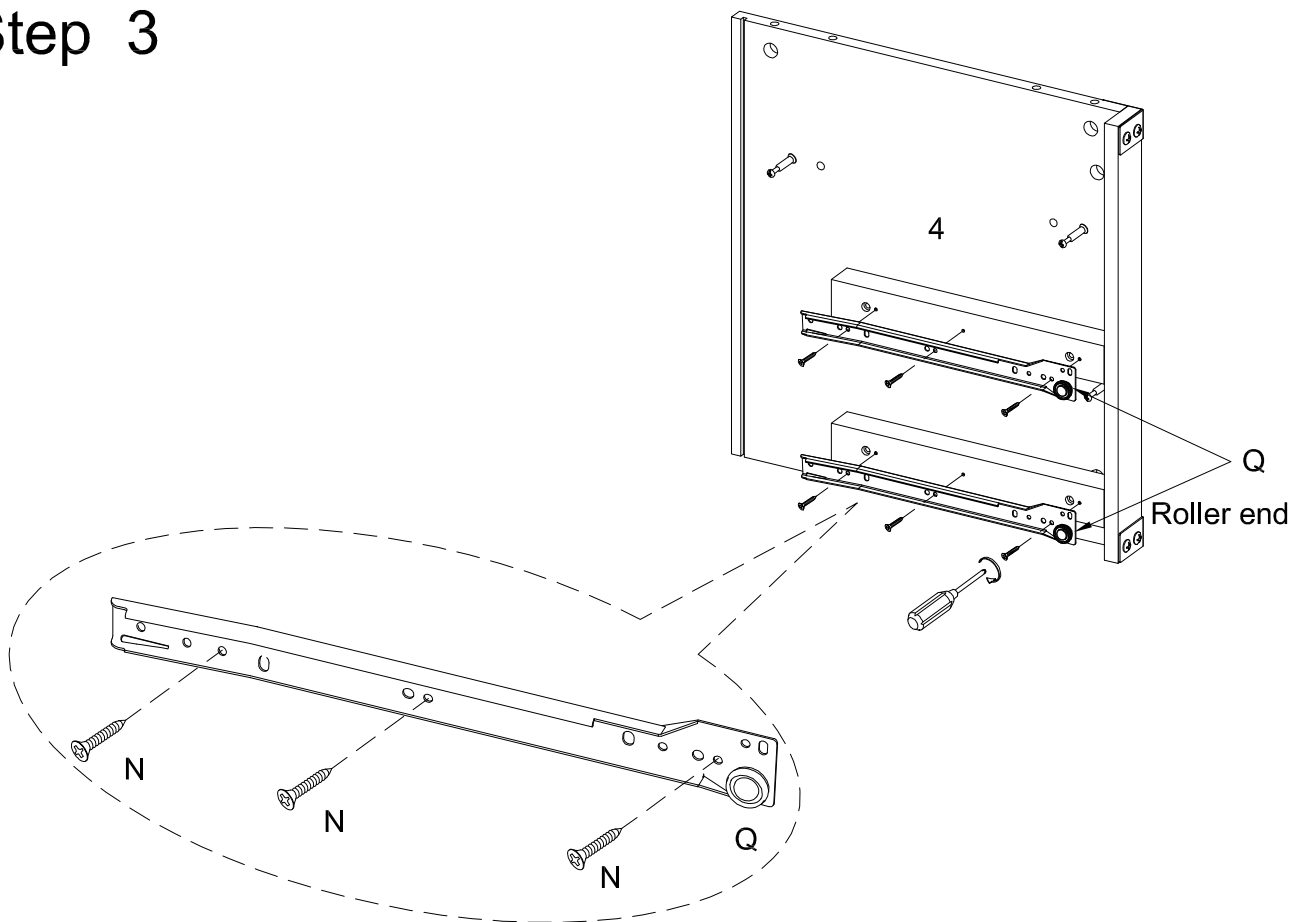
Step 1



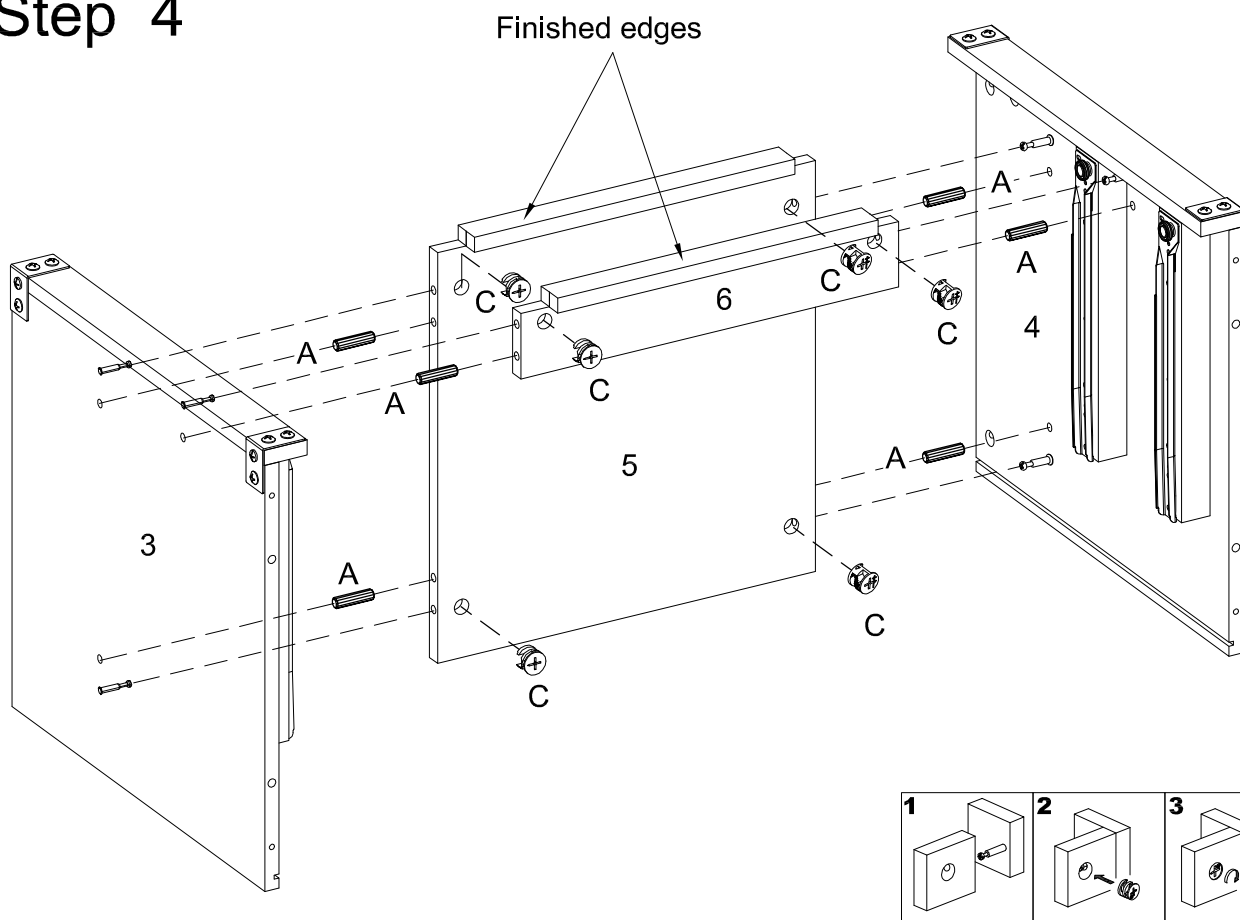
Step 2



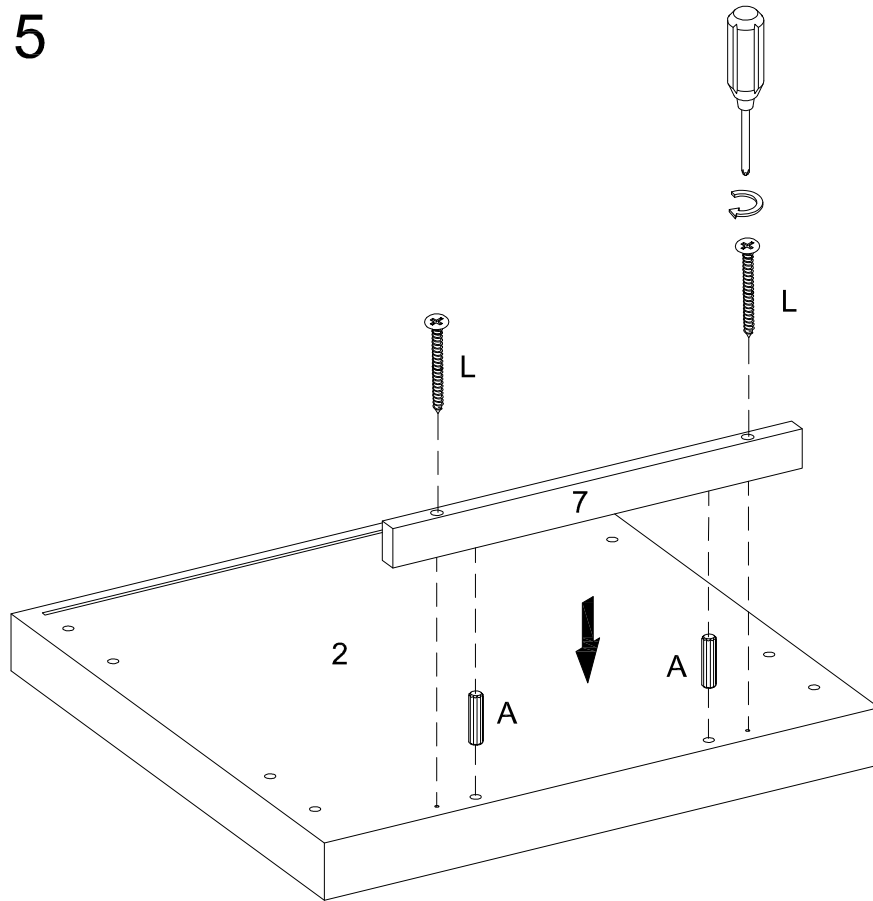
Step 3



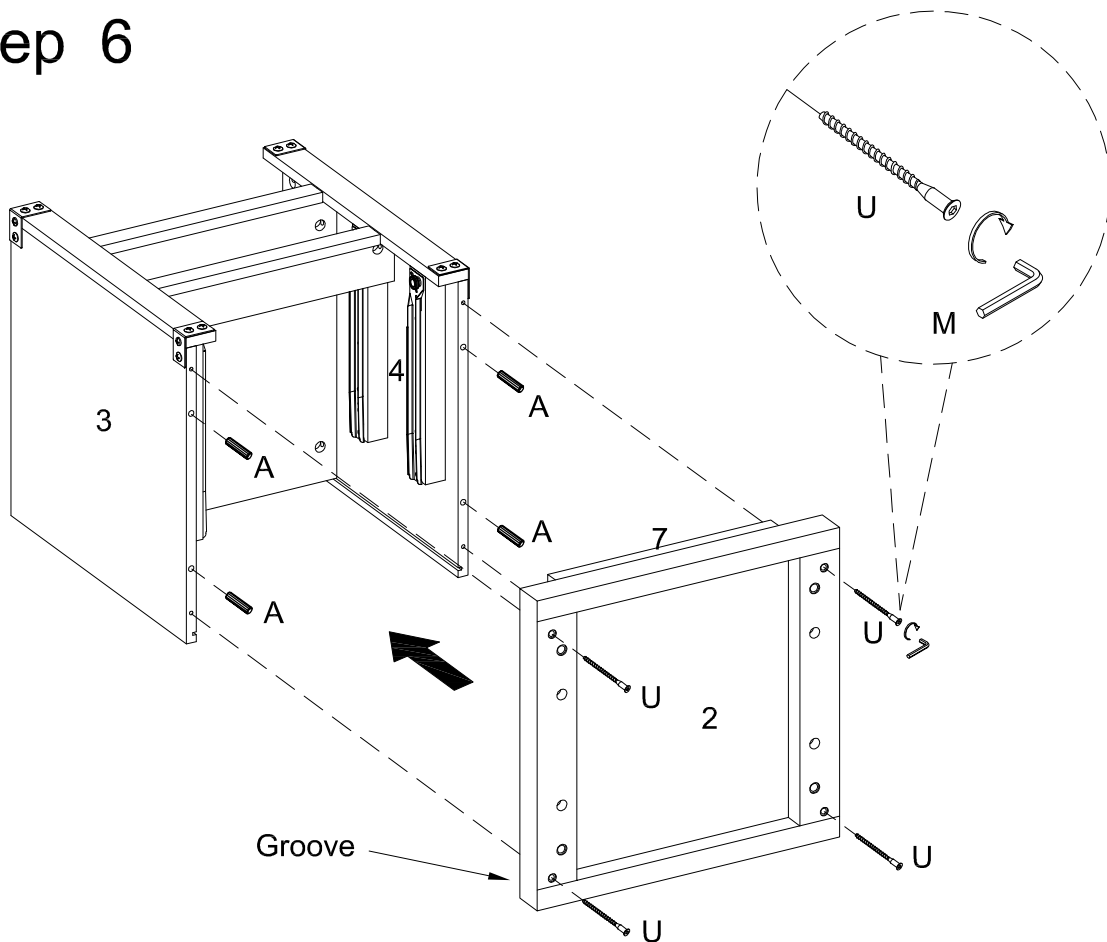
Step 4



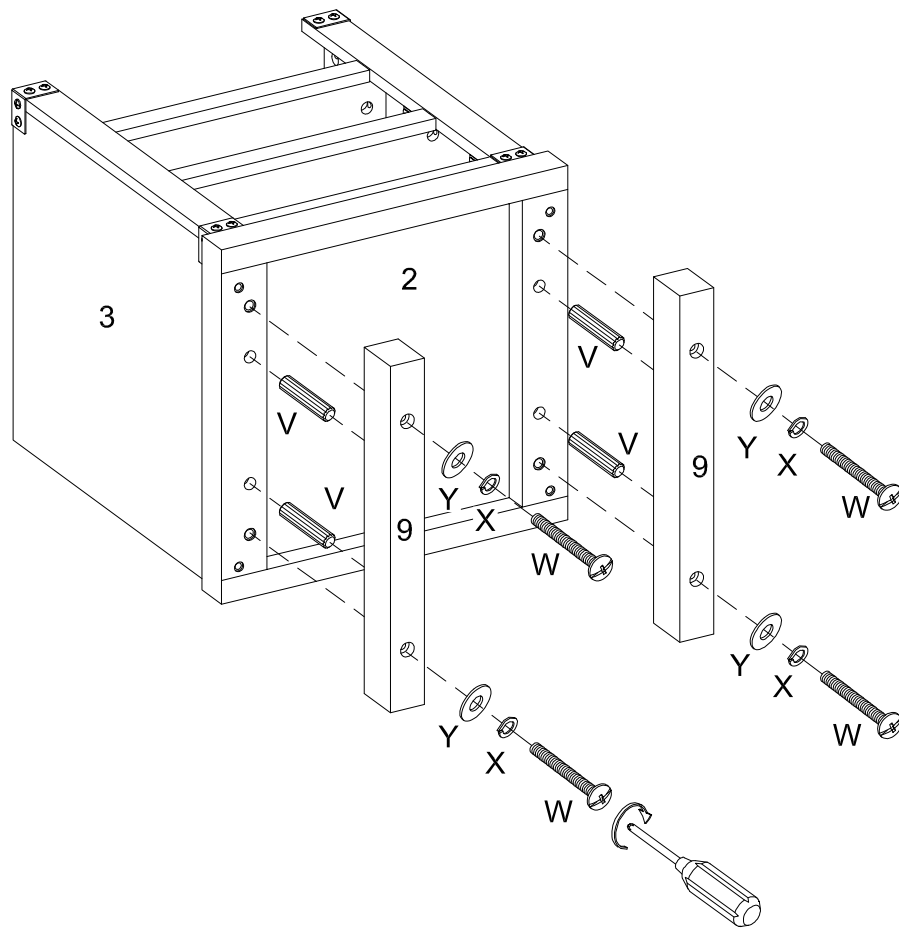
Step 5



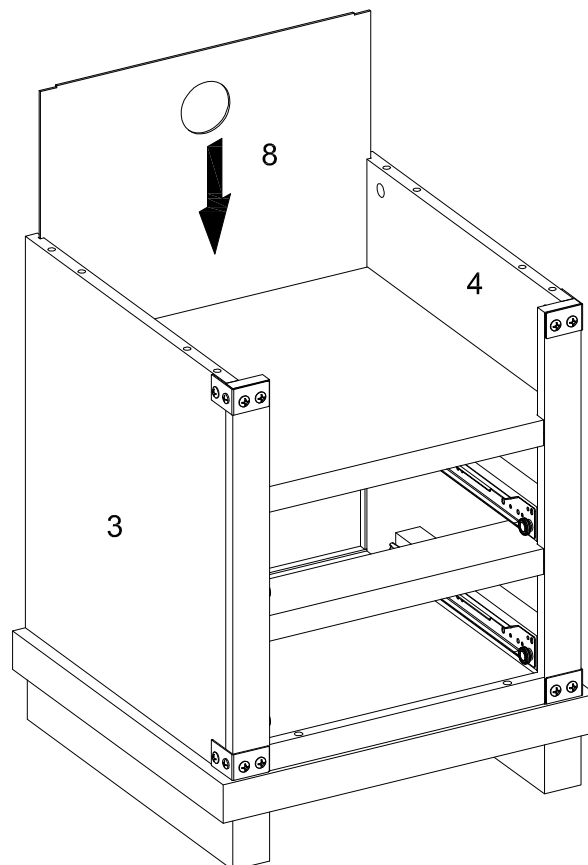
Step 6



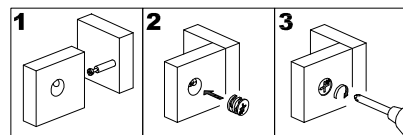
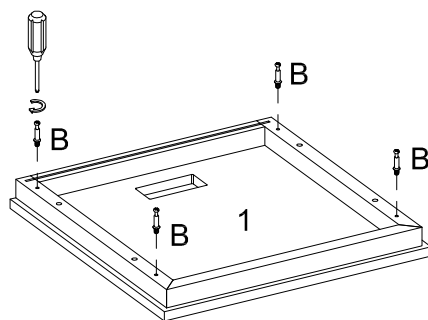
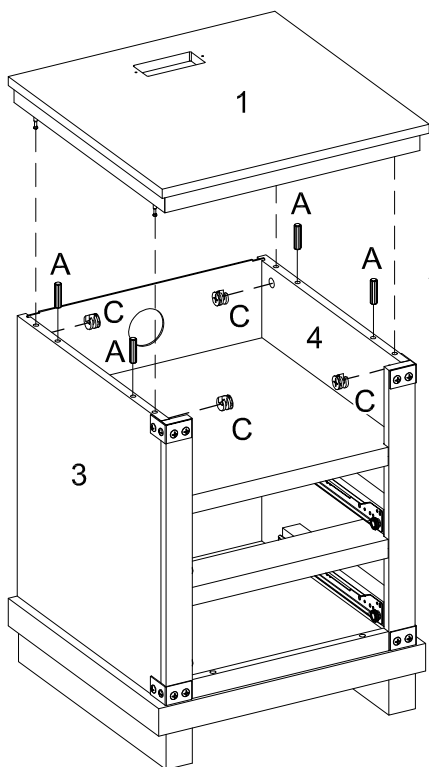
Step 7



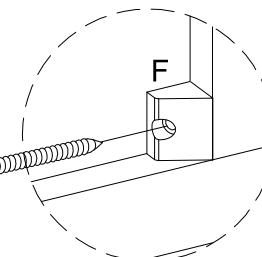
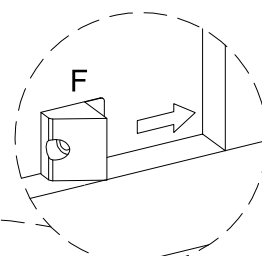
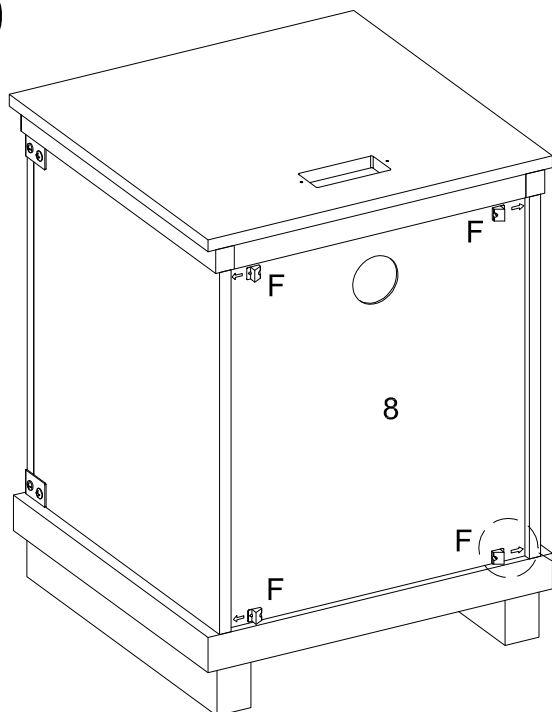
Step 8



Step 9

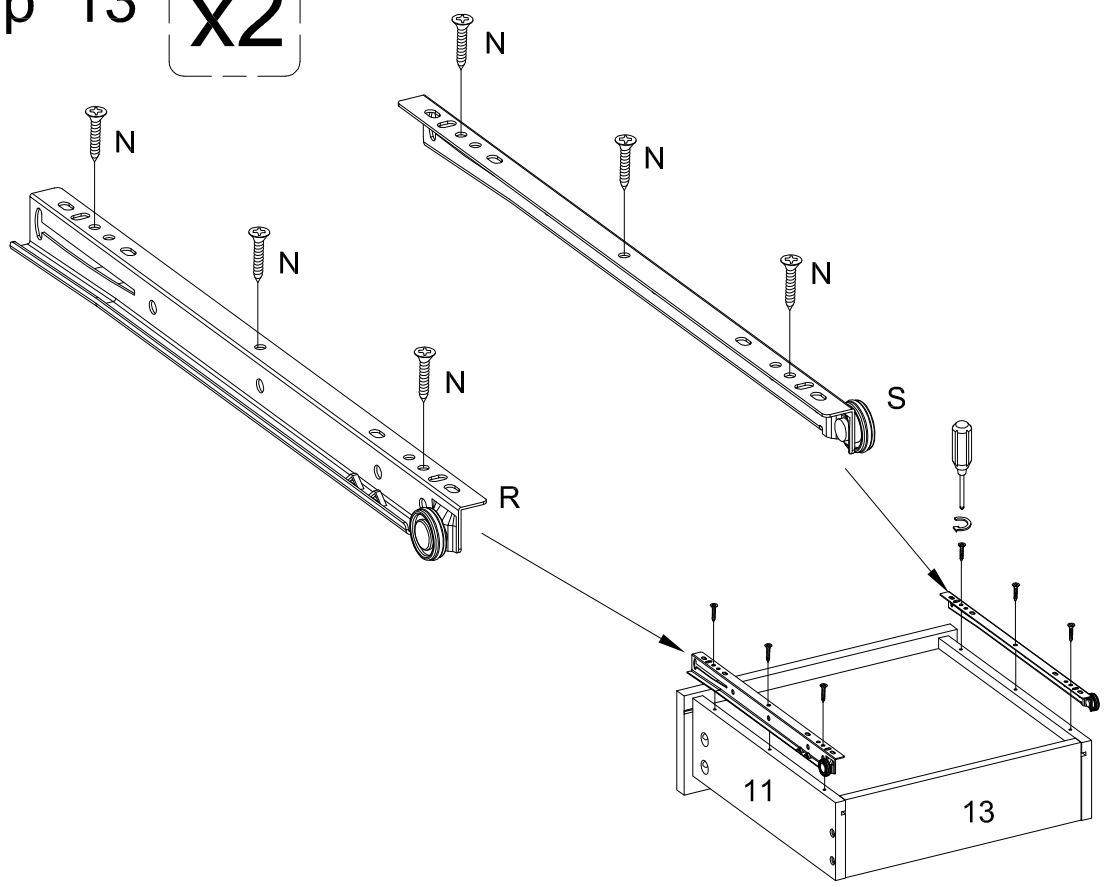


Step 10

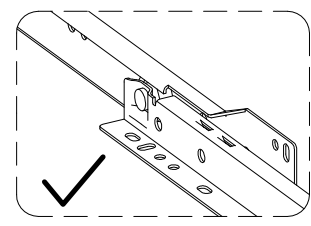
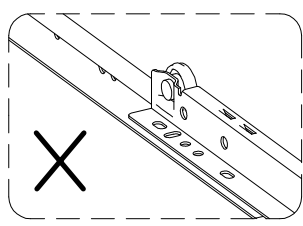
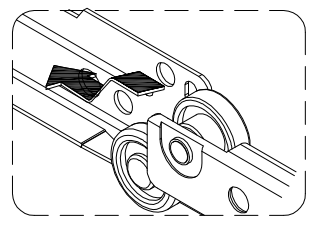
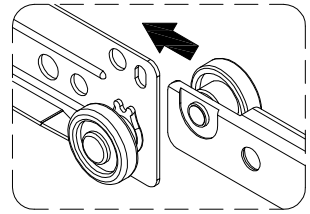
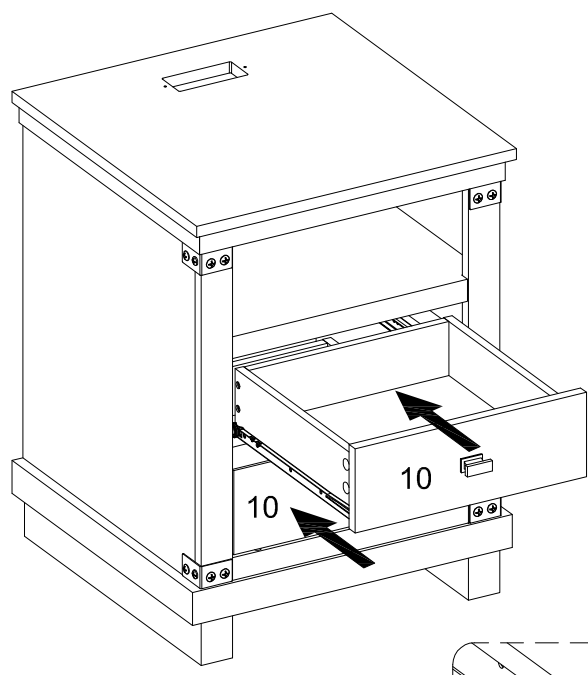


Step 13

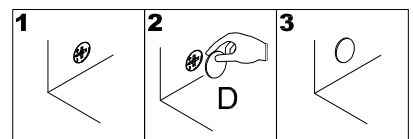
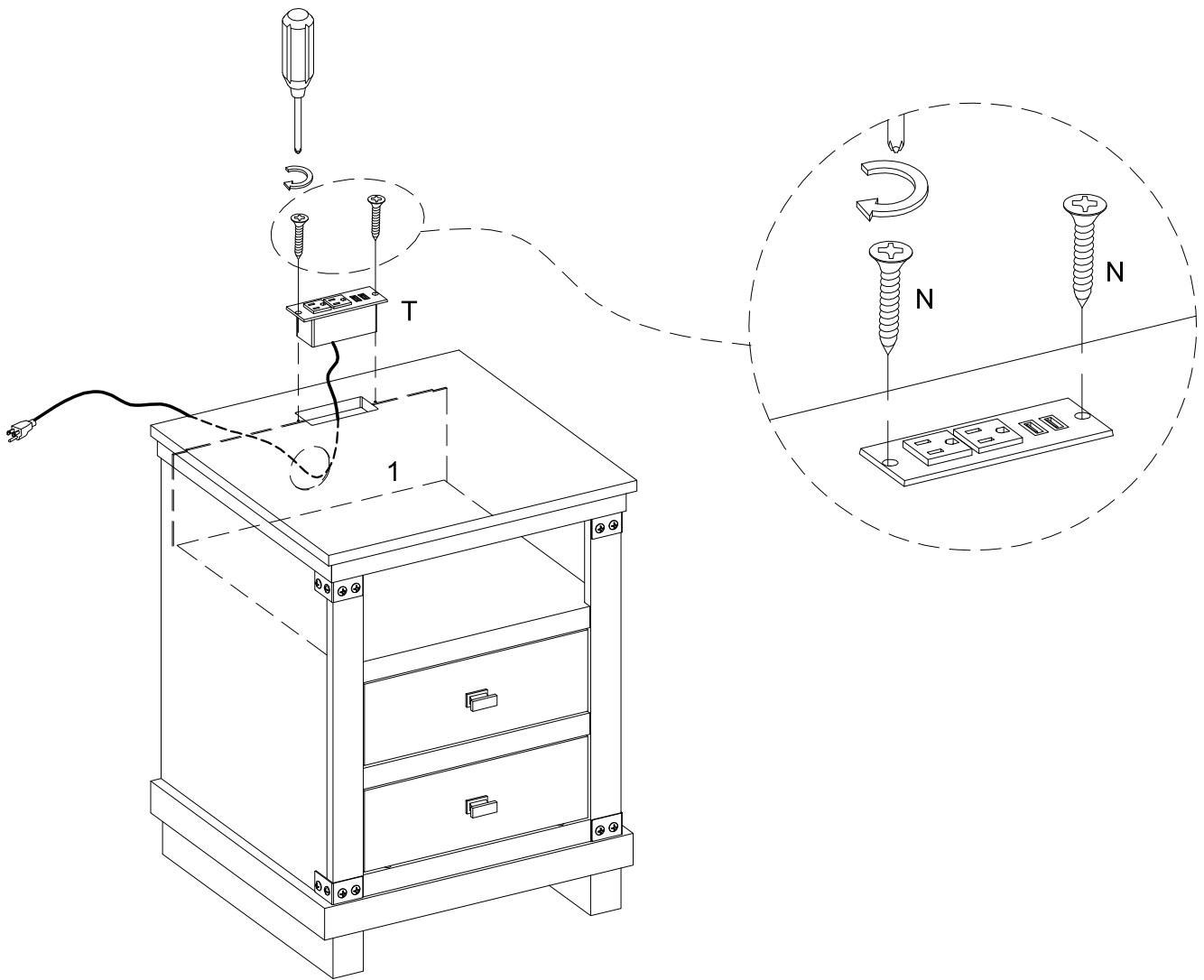
x2



Step 14



Step 15



Final Assembly