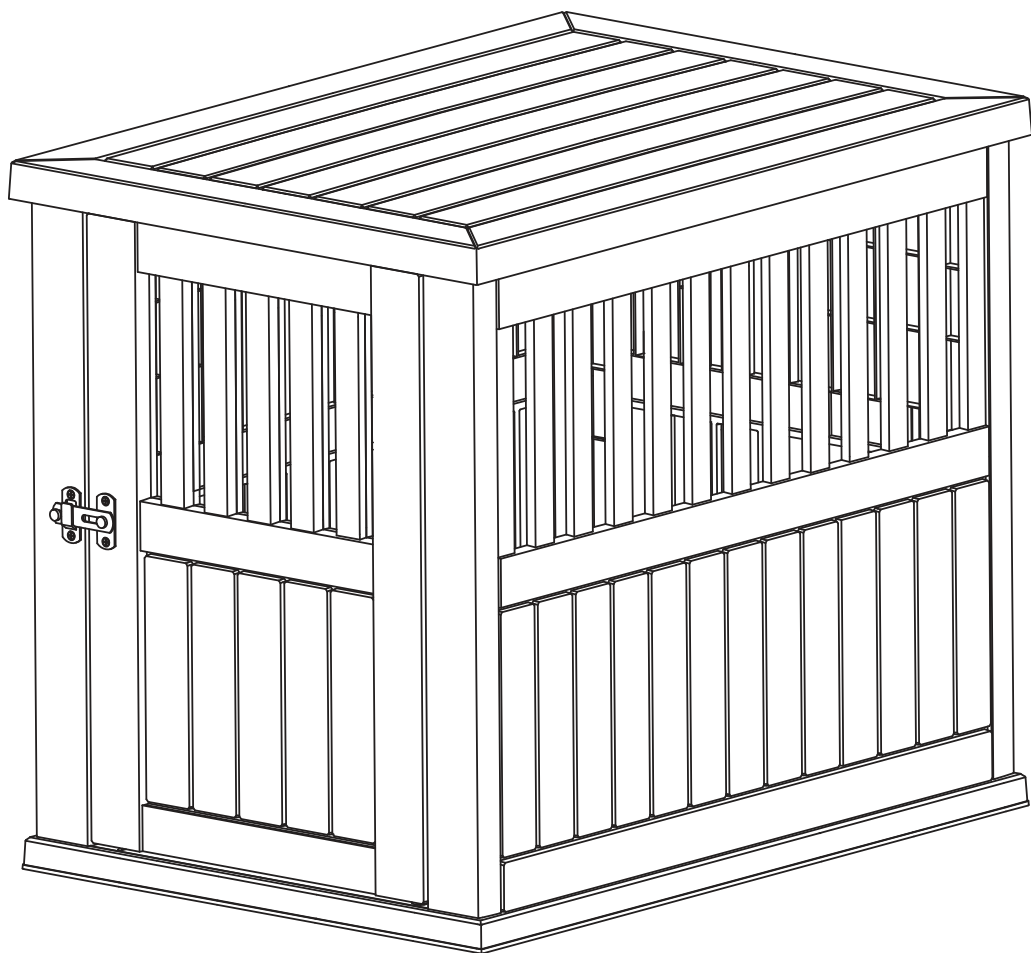


ASSEMBLE INSTRUCTIONS



IMPORTANT

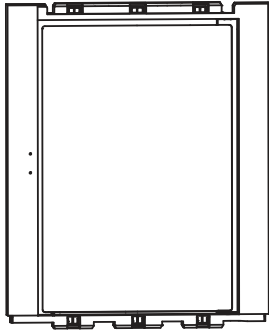
Once installed, the product cannot be detached. Strictly follow each step in the installation manual.

- Gather and organize all required parts prior to assembly. If you have any problems or discover any missing parts, please contact customer service.
- Some parts may contain sharp edges. Wear protective gloves if necessary during assembly.

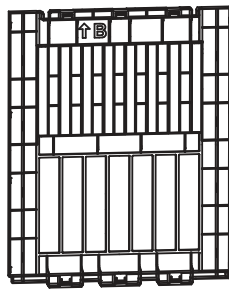
CARE & SAFETY

- Assemble on a flat, clean and soft surface.
- In case of fire, do not attempt to extinguish any burning polypropylene with water.
- Wear safety-goggles and always follow the manufacturer's instructions when using power tools.
- During installation, please refer to the accessories guide to ensure that they are installed in the correct directions.
- Do not stand on the lid.

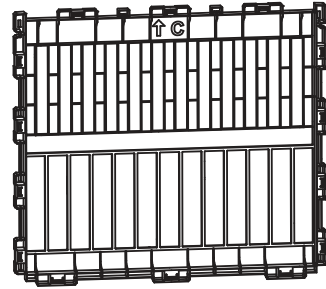
PARTS LIST



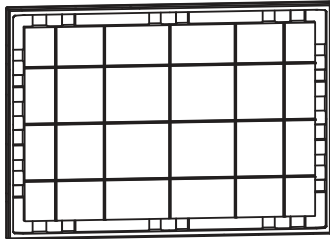
A(X1)



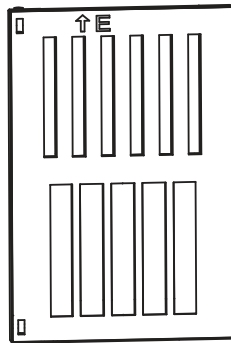
B(X1)



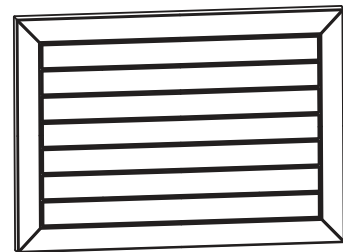
C(X2)



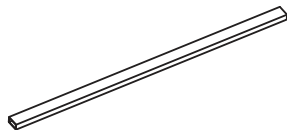
D(X1)



E(X1)

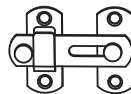


J(X1)



650x20x10(mm)

(X2)



(X1)

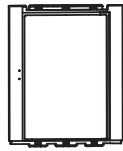


(X2)

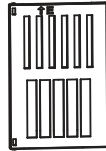


**M4x13
(X4)**

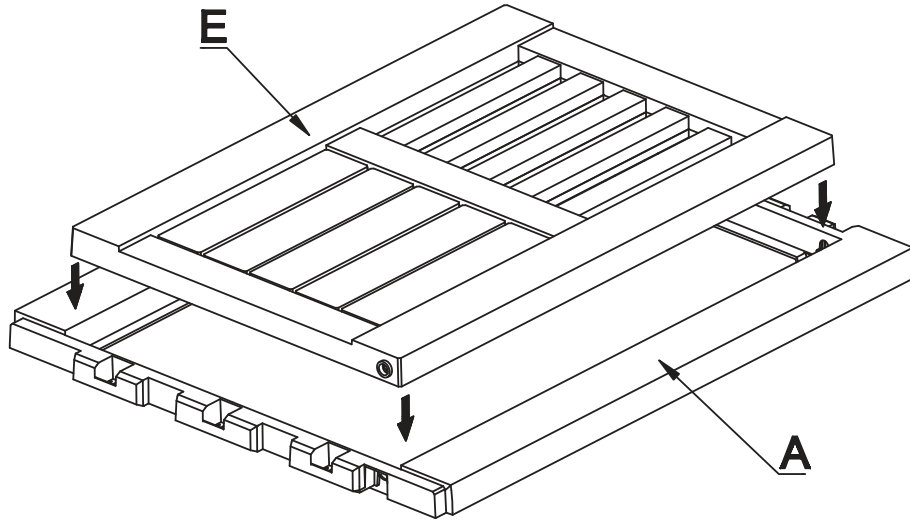
1



A(X1)



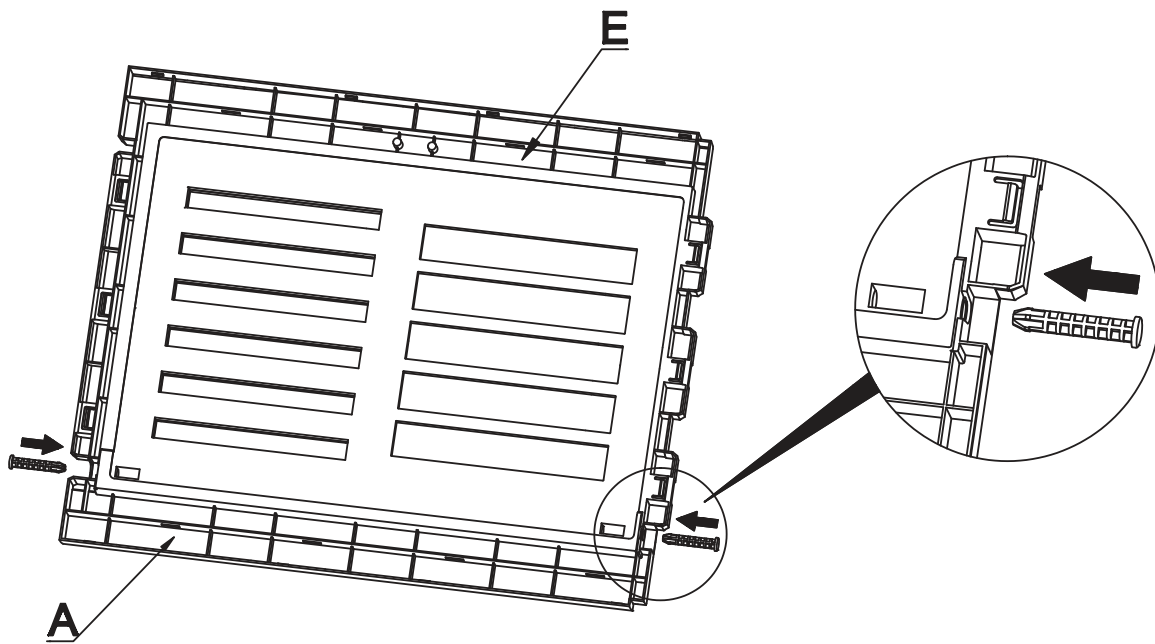
E(X1)



2

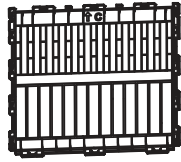


(X2)

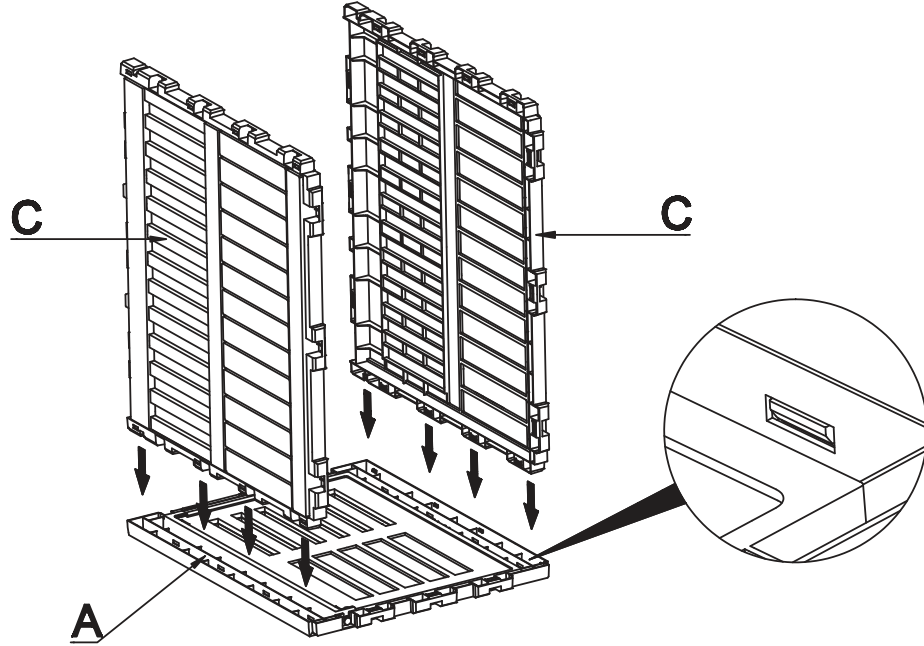


3

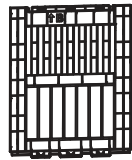
3



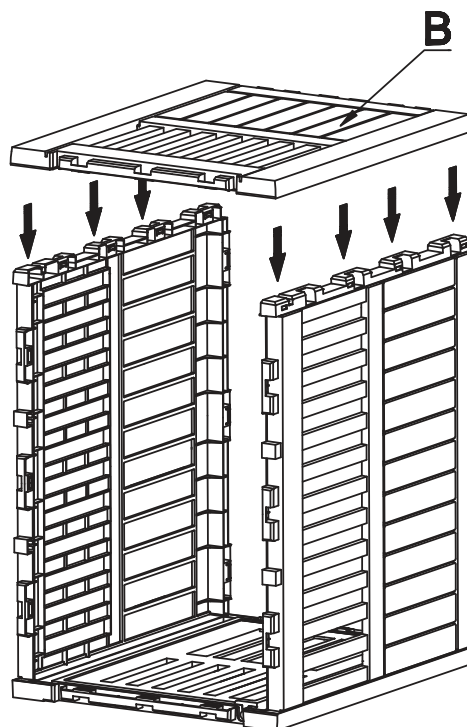
C(X2)



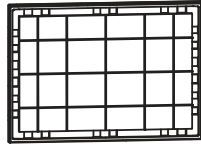
4



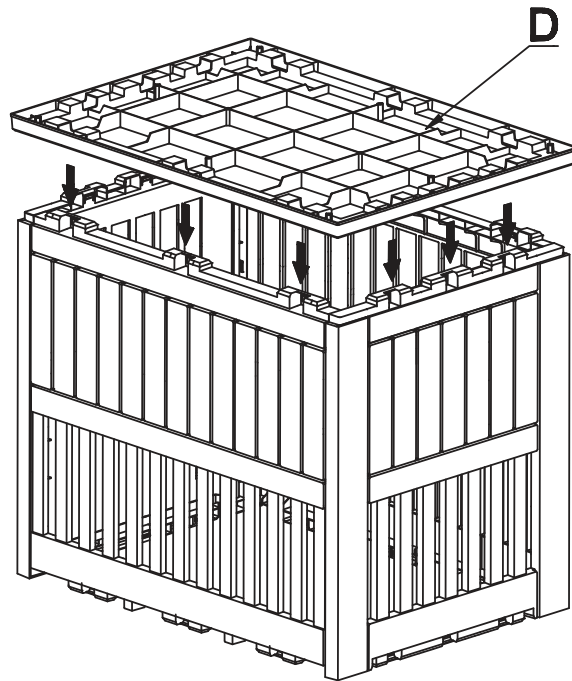
B(X1)



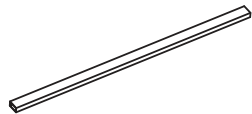
5



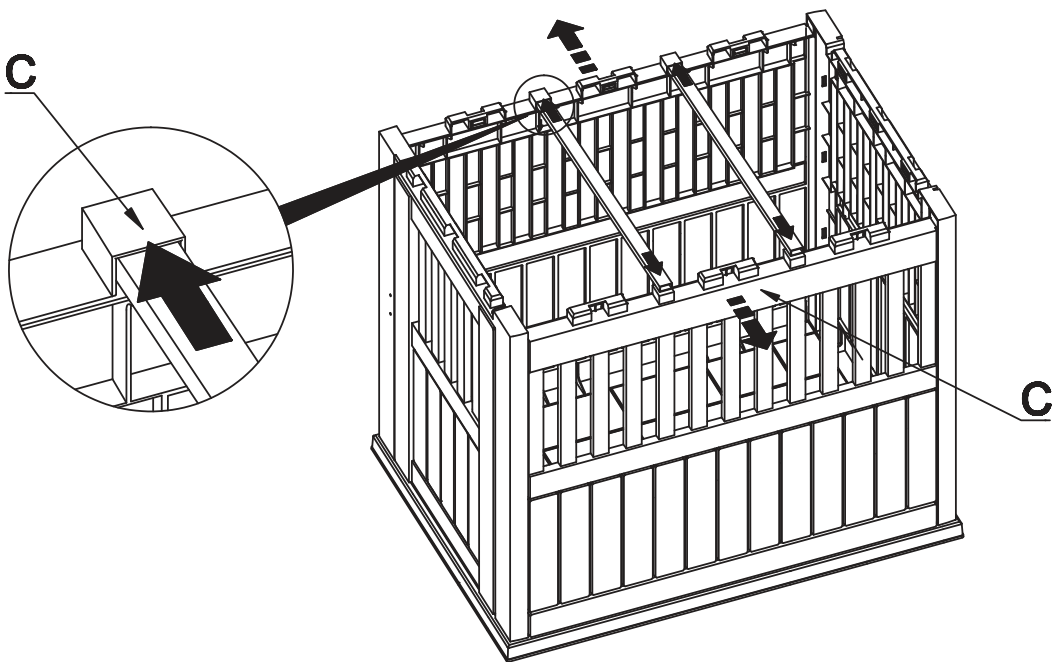
D(X1)



6

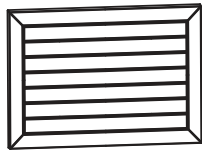


650x20x10
(X2)

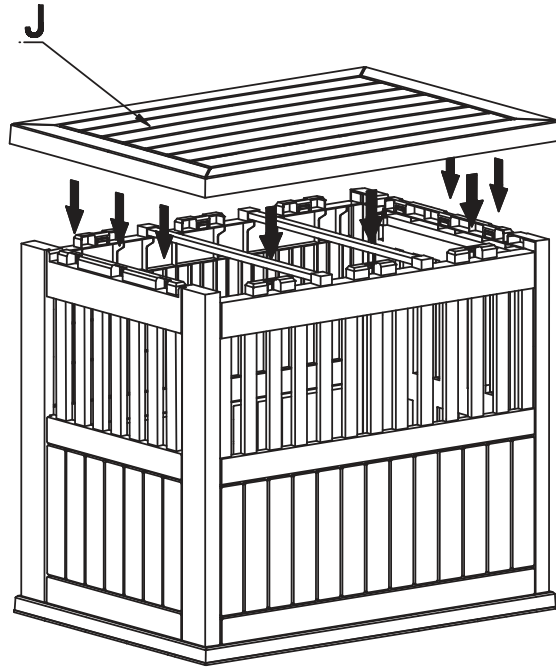


5

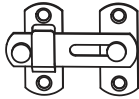
7



J(X1)



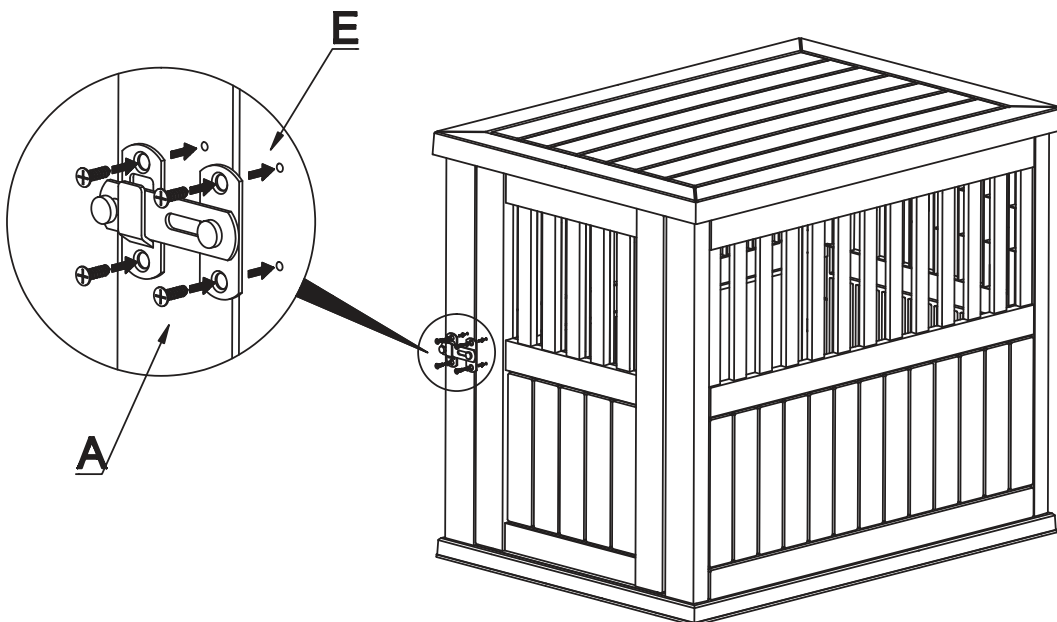
8



(X1)



M4x13
(X4)



9

