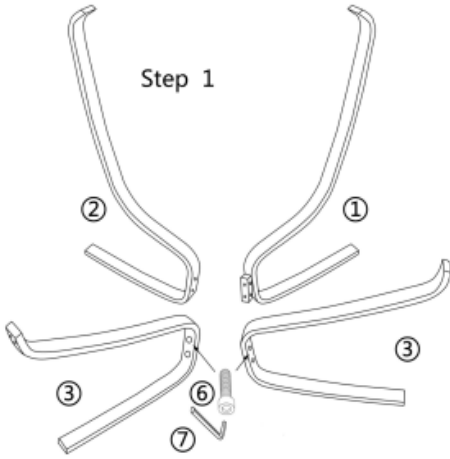
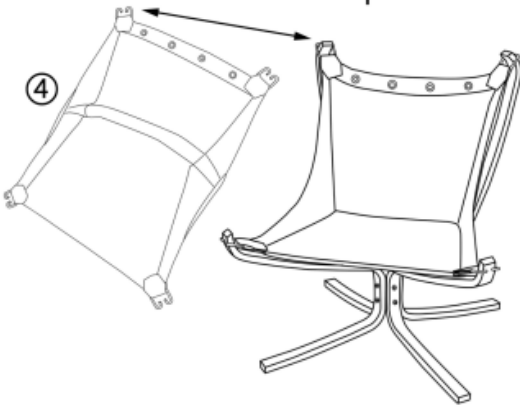


Step 1



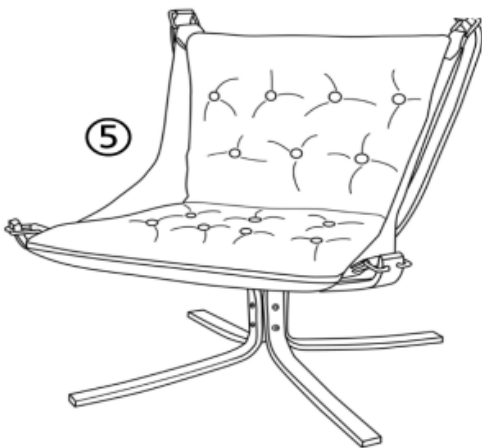
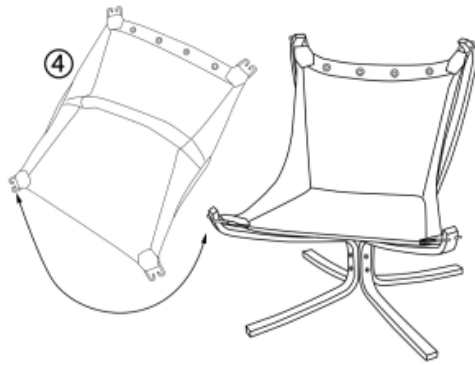
Step 1: note: watch out for the angles when installing back and base frame. Screws up tight into the rectangle joint connector.

Step 2



Step 2: hooks into the holes on the back of the frames.

Step 3



PARTS

Qty

①



back frame 1

1

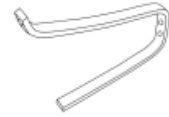
②



back frame 2

1

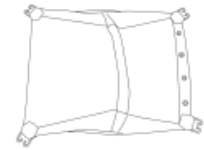
③



base frame

2

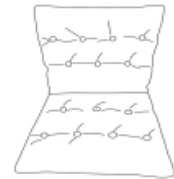
④



cloth cover with hooks

1

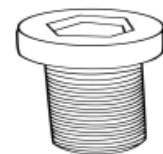
⑤



seat cushion

1

⑥



8*30mm screws

8

⑦



Socket head wrench

1