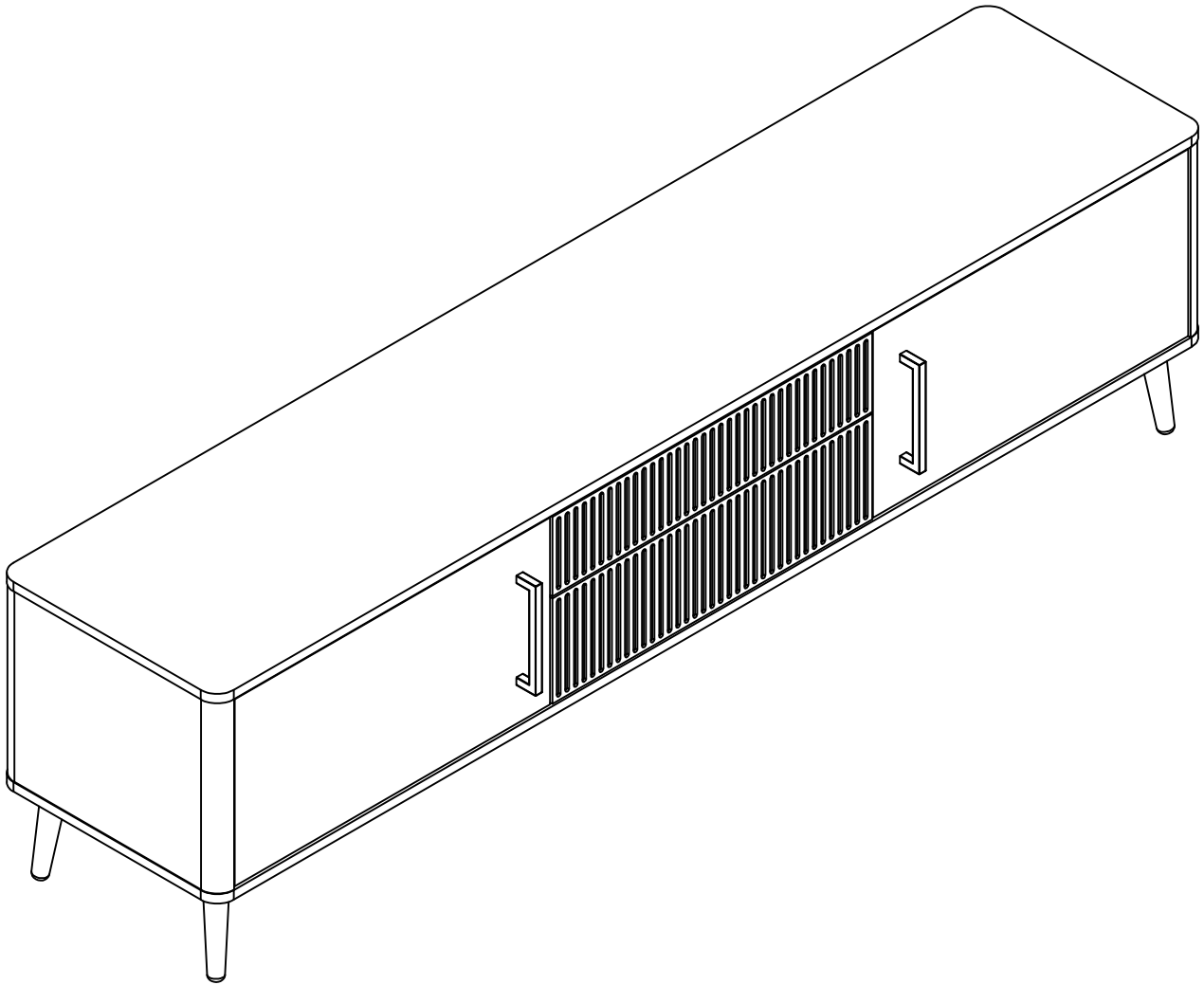


TV STAD

Assembly Instructions-Please keep for future reference.



DIMENSIONS

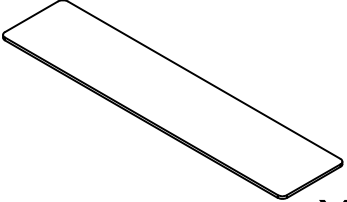
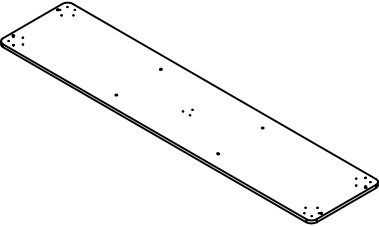
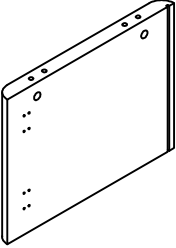
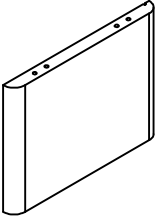
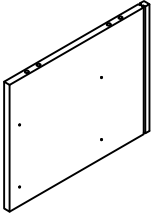
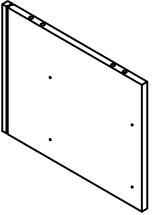
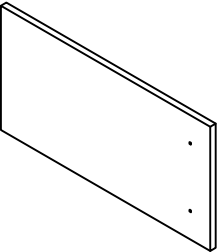
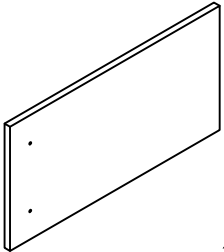
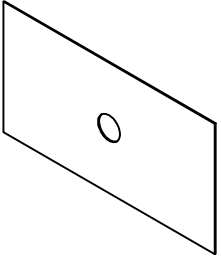
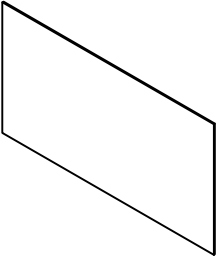
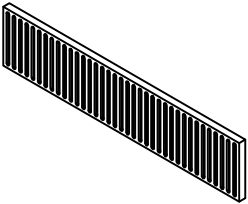
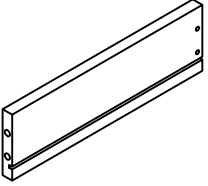
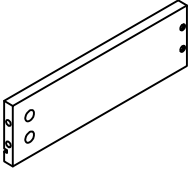
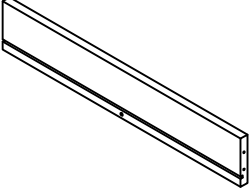
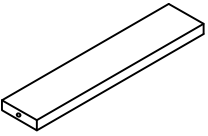
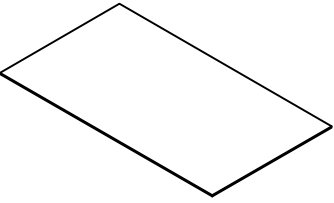
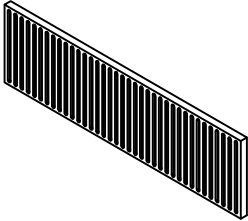
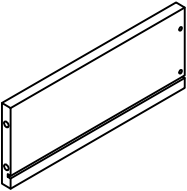
width-70.87inch
Depth-15.75inch
height-19.29inch

Important-Please read these instructions fully before starting assembly.

components - fittings

Please check you have all the panels listed below.

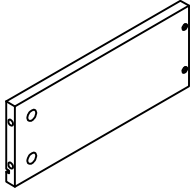
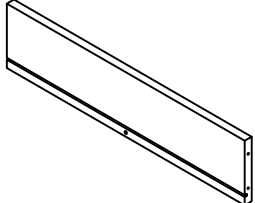


Note: The quantities below are the correct amount to complete the assembly. In some cases more fittings may be supplied than are required.

 <p>1</p> <p>X 1</p>	 <p>2</p> <p>X 1</p>	 <p>3</p> <p>X 1</p>
 <p>4</p> <p>X 1</p>	 <p>5</p> <p>X 1</p>	 <p>6</p> <p>X 1</p>
 <p>7</p> <p>X 1</p>	 <p>8</p> <p>X 1</p>	 <p>9</p> <p>X 2</p>
 <p>10</p> <p>X 1</p>	 <p>11</p> <p>X 1</p>	 <p>12</p> <p>X 1</p>
 <p>13</p> <p>X 1</p>	 <p>14</p> <p>X 1</p>	 <p>15</p> <p>X 2</p>
 <p>16</p> <p>X 2</p>	 <p>17</p> <p>X 1</p>	 <p>18</p> <p>X 1</p>

components - fittings

Please check you have all the panels listed below.

Note: The quantities below are the correct amount to complete the assembly. In some cases more fittings may be supplied than are required.

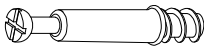
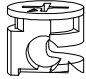

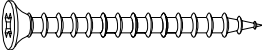
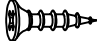
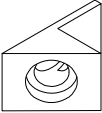
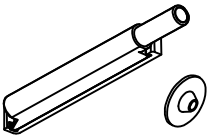
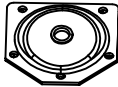
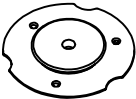

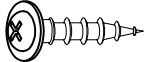




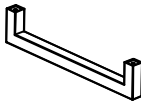
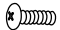
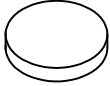


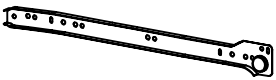

<p>19</p>  <p>X 1</p>	<p>20</p>  <p>X 1</p>	<p>21</p>  <p>X 4</p>
<p>22</p>  <p>X 1</p>		

components - fittings

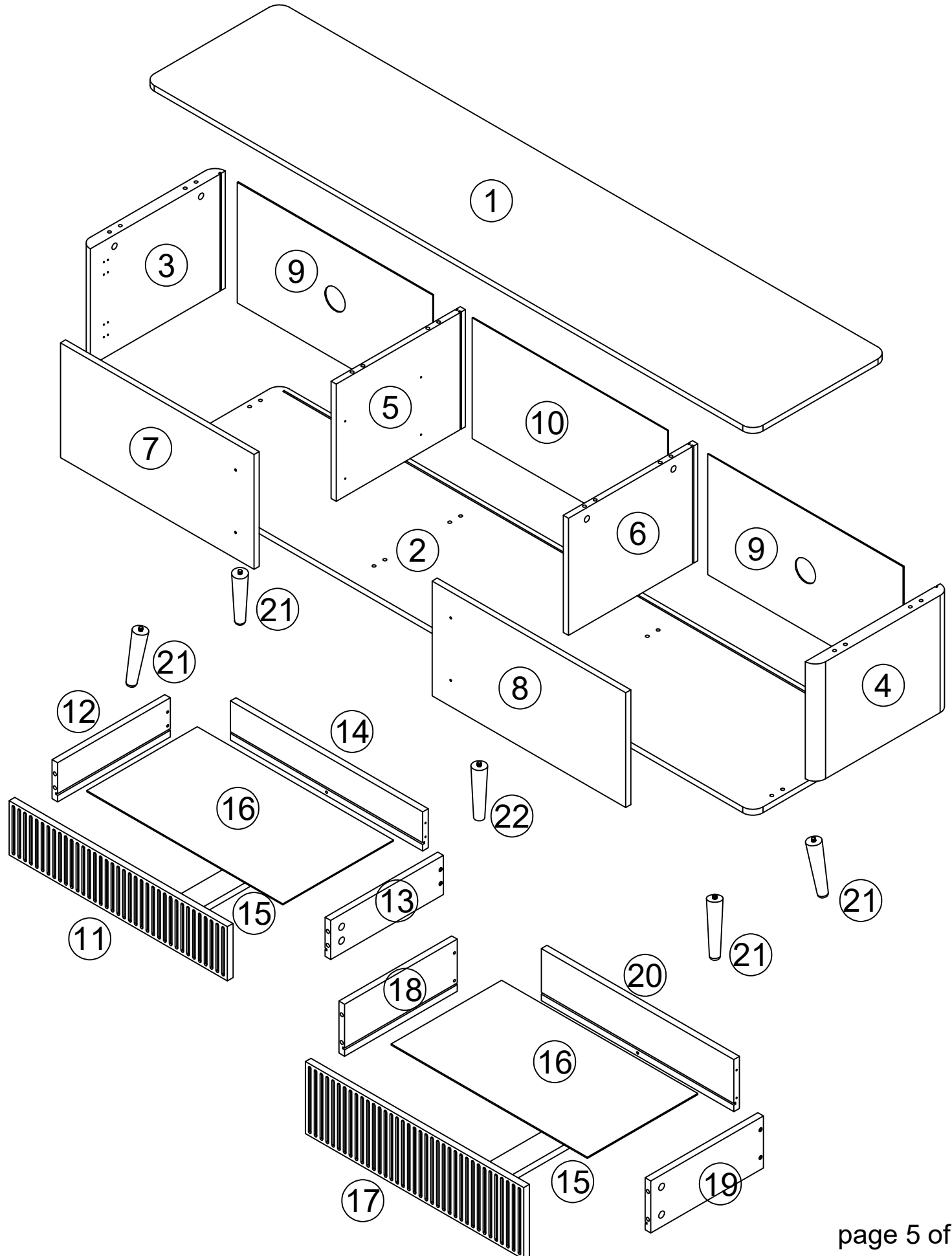
Please check you have all the panels listed below.

Note: The quantities below are the correct amount to complete the assembly. In some cases more fittings may be supplied than are required.

Hardware-Liste

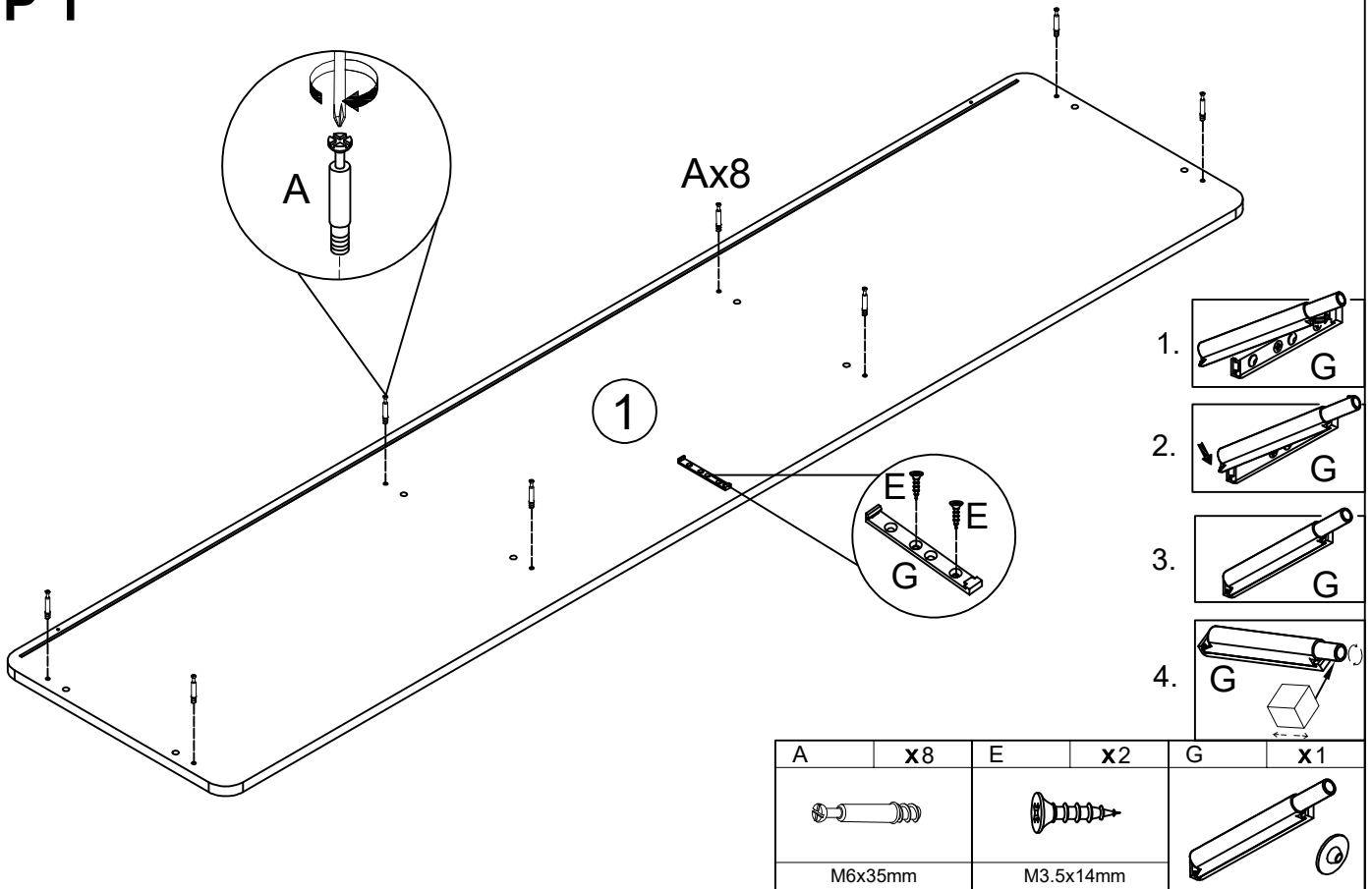
<p>A X 18</p>  <p>M6x35mm</p>	<p>B X 18</p>  <p>Φ15mm</p>	<p>C X 16</p>  <p>Φ8x30mm</p>	
<p>D X 20</p>  <p>M4x40mm</p>	<p>E X 85</p>  <p>M3.5x14mm</p>	<p>F X 12</p> 	
<p>G X 2</p> 	<p>H X 4</p> 	<p>I X 1</p> 	
<p>J X 16</p>  <p>Ø20mm</p>	<p>K X 2</p>  <p>M4x12mm</p>	<p>L X 2</p> 	<p>M X 2</p> 
<p>N X 1</p> 	<p>O X 4</p> 	<p>P X 2</p> 	<p>Q X 4</p>  <p>M4x18mm</p>
<p>R X 4</p> 	<p>CL X 2</p>  <p>350mm</p>		<p>DL X 2</p>  <p>350mm</p>
<p>CR X 2</p>  <p>350mm</p>		<p>DR X 2</p>  <p>350mm</p>	

Assembly Instructions

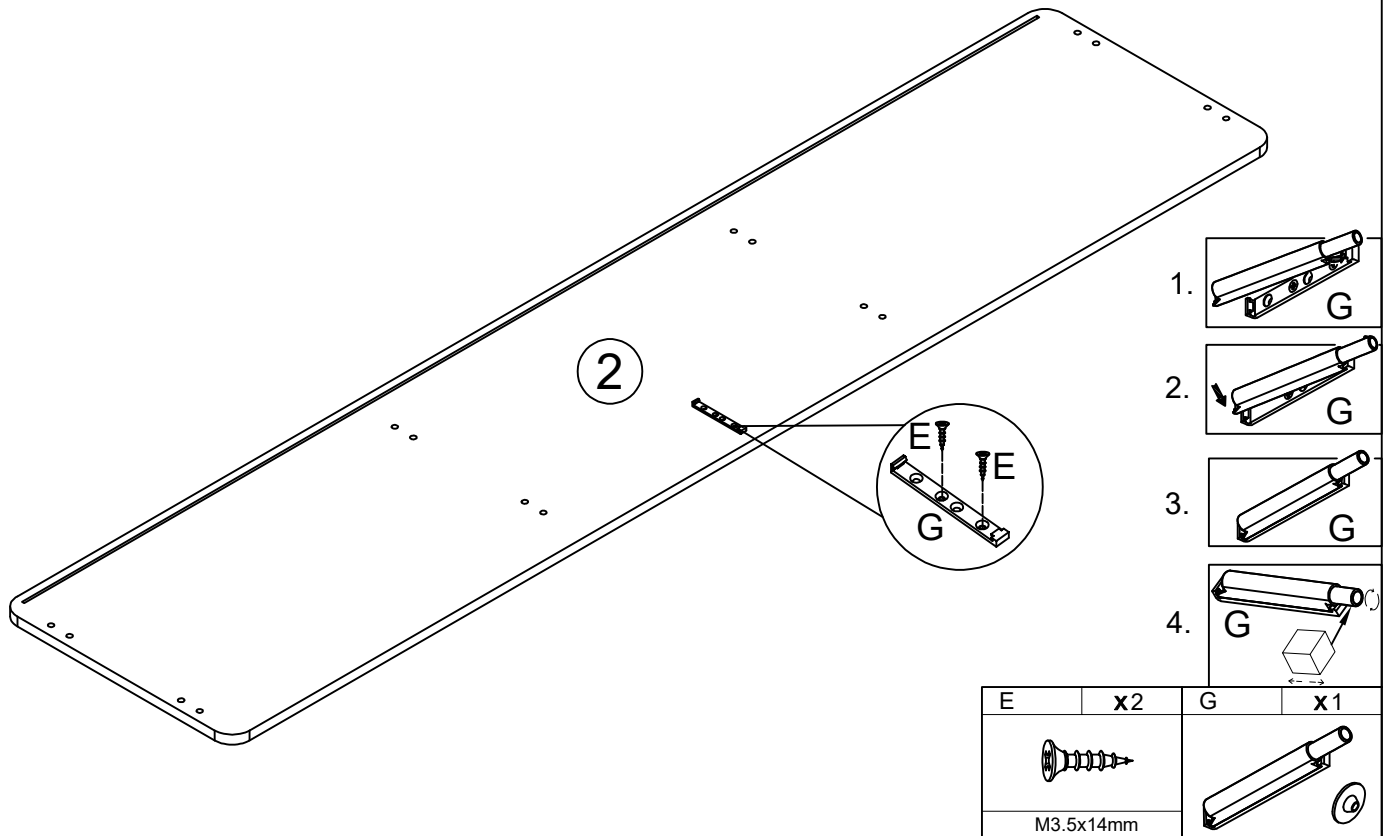


Assembly Instructions

STEP 1

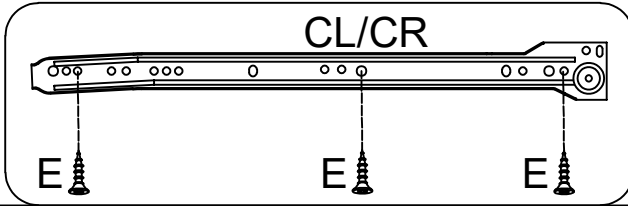
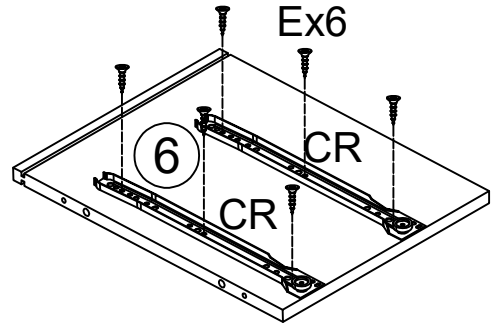
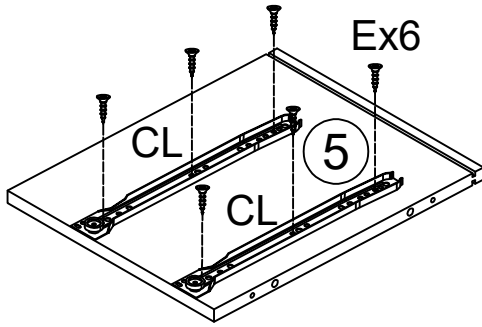





STEP 2



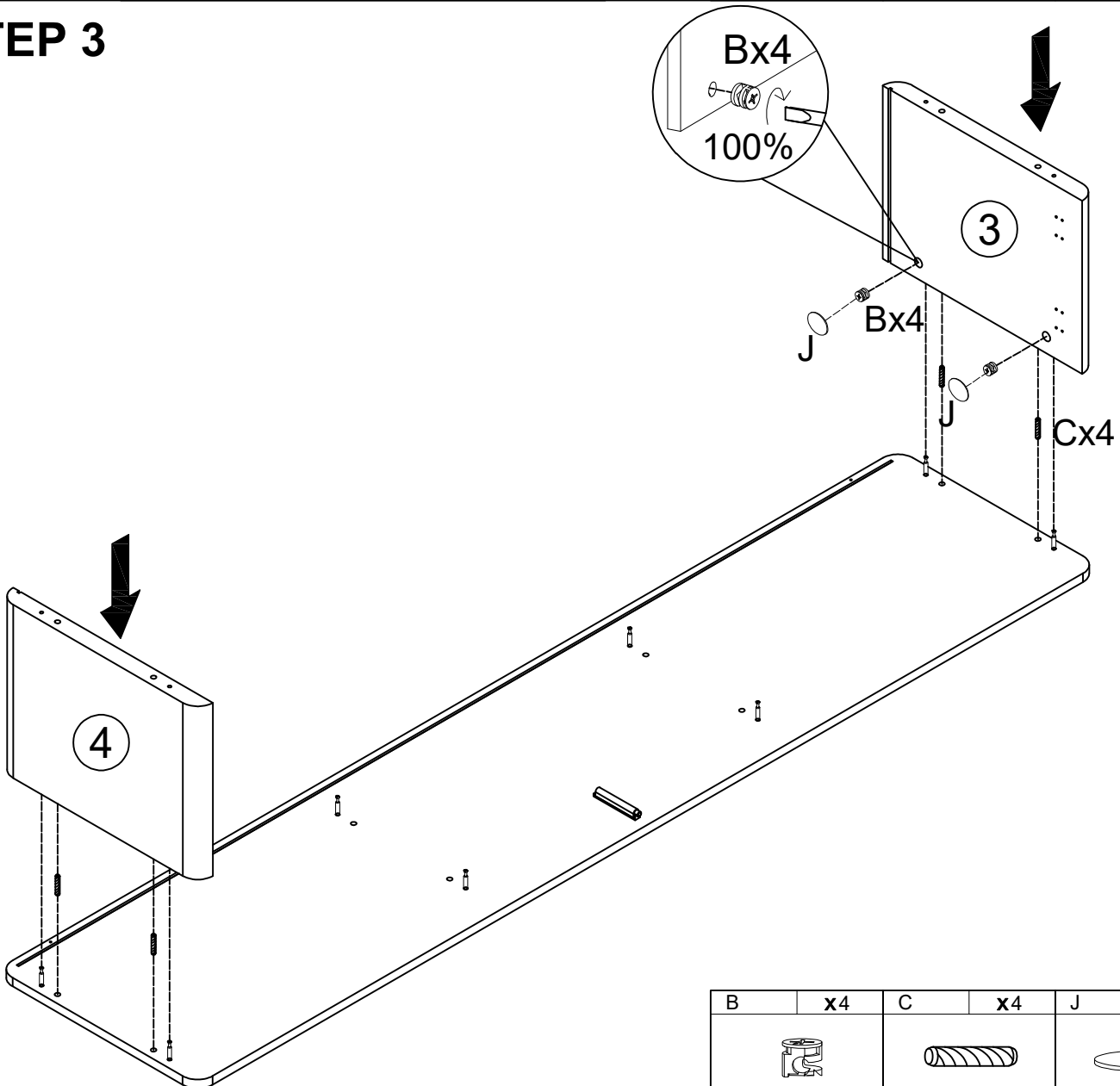
Assembly Instructions




STEP 3



E	x12	CL	x2	CR	x2
					
M3.5x14mm		350mm		350mm	

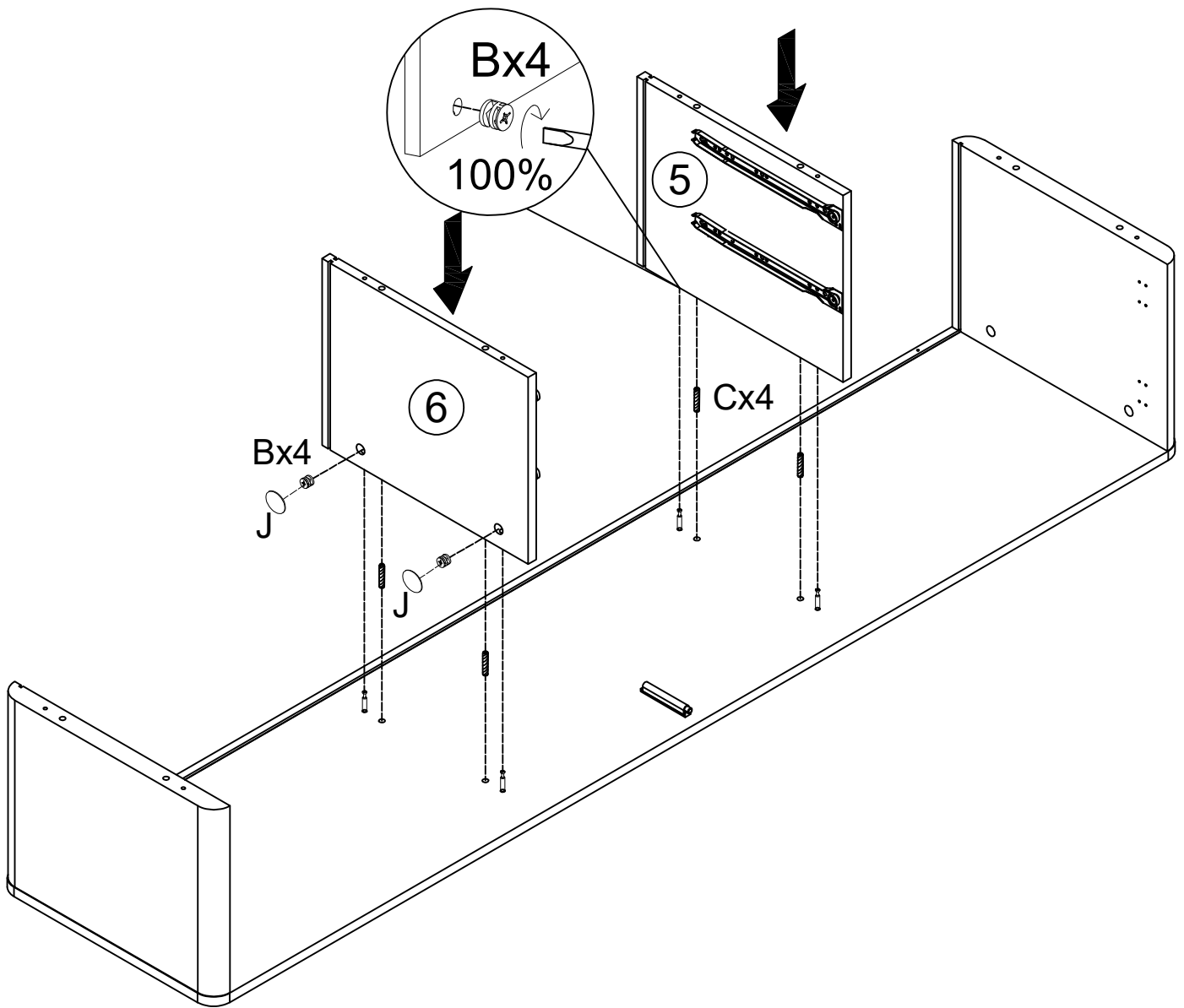
STEP 3






B	x4	C	x4	J	x4
					
Ø15mm		Φ8x30mm			

Assembly Instructions

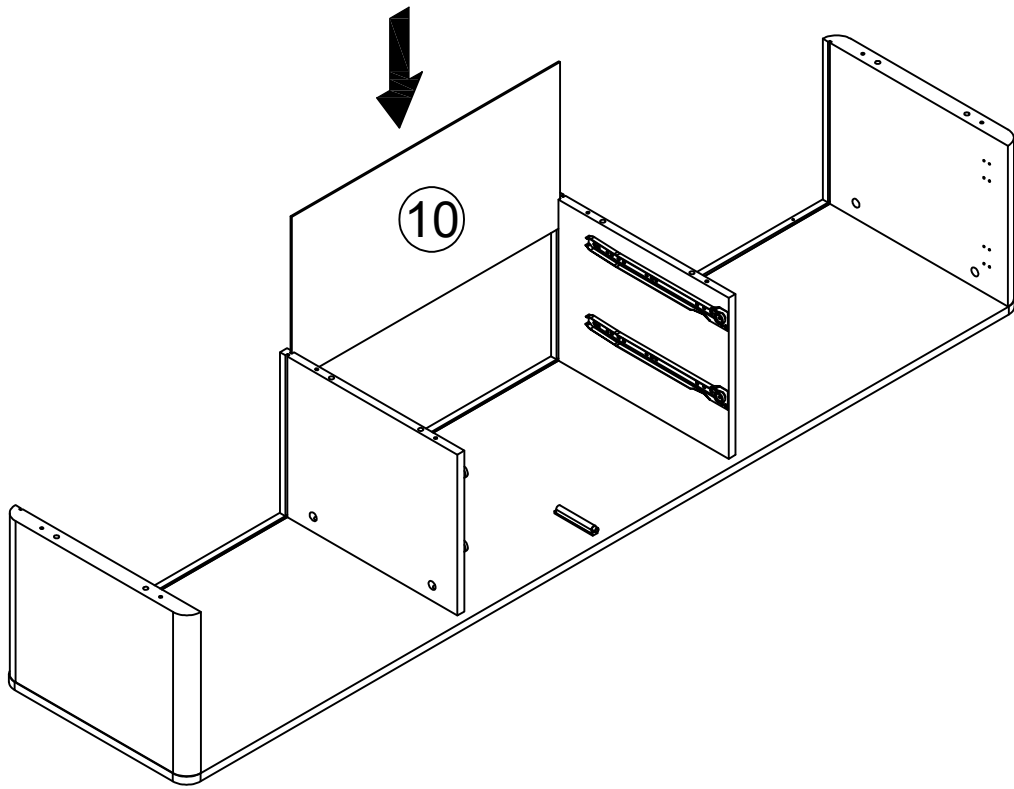
STEP 4



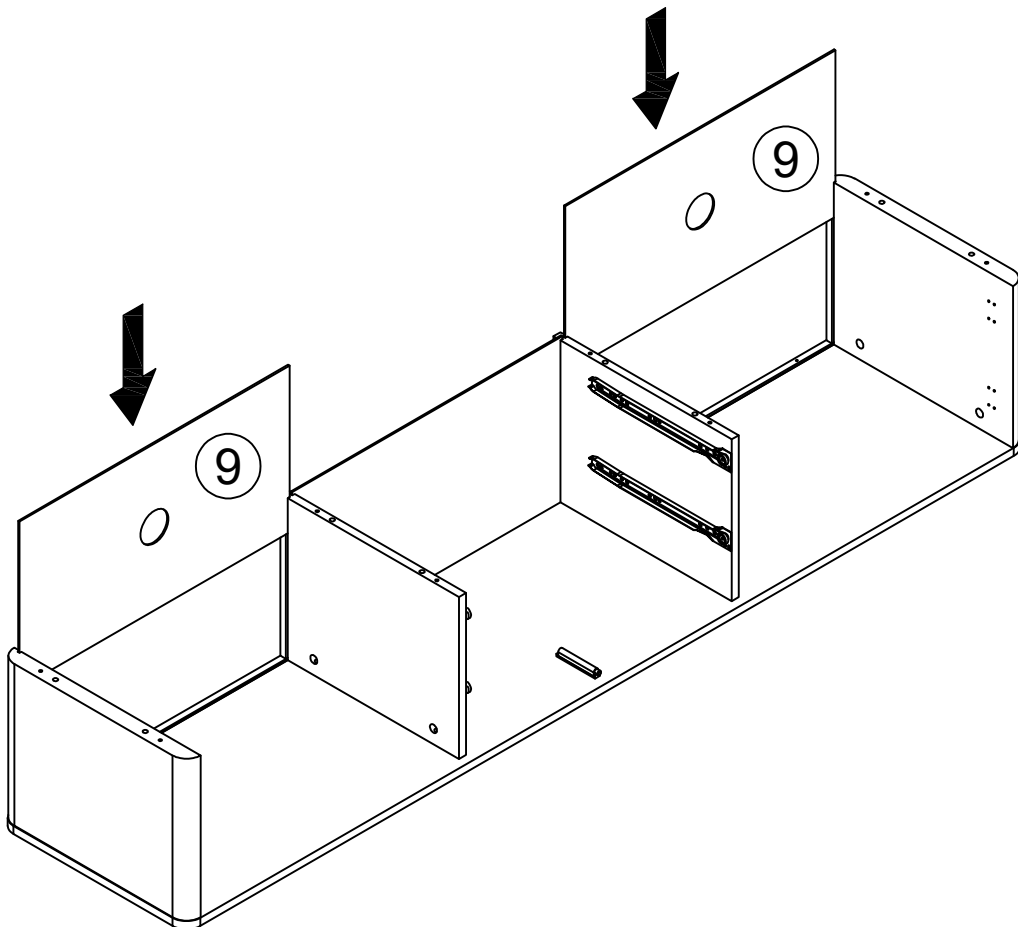
B	x4	C	x4	J	x4
					
Ø15mm		Φ8x30mm			

Assembly Instructions

STEP 7

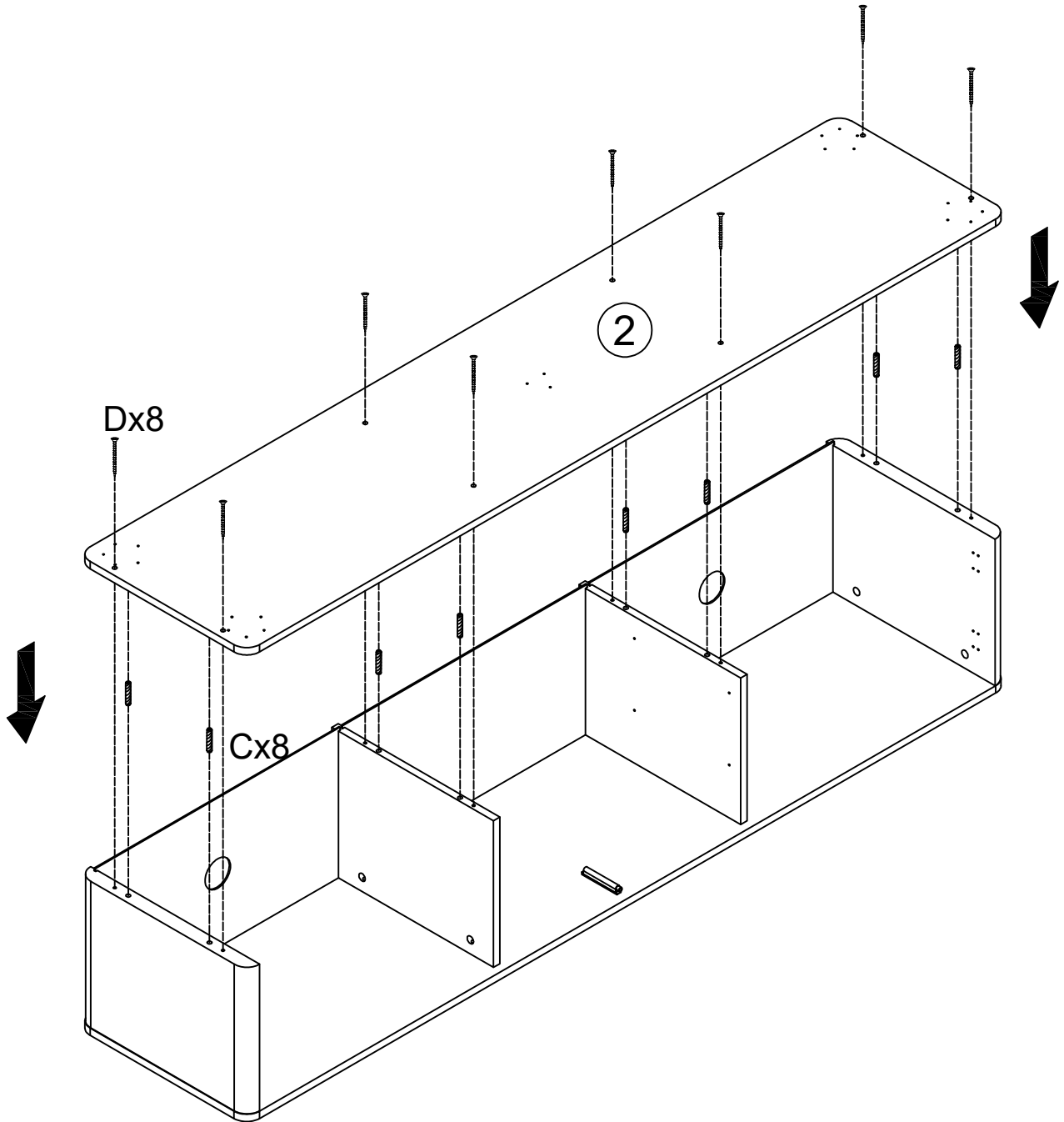


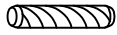
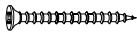
STEP 8



Assembly Instructions

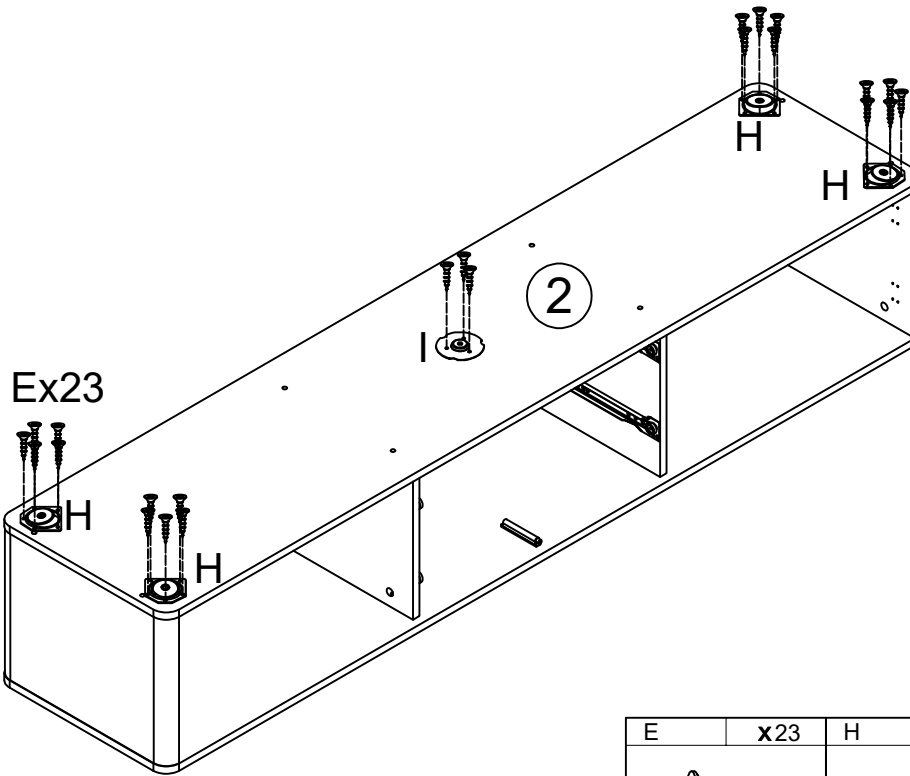
STEP 9






C	x8	D	x8
			
Φ8x30mm		M4x40mm	

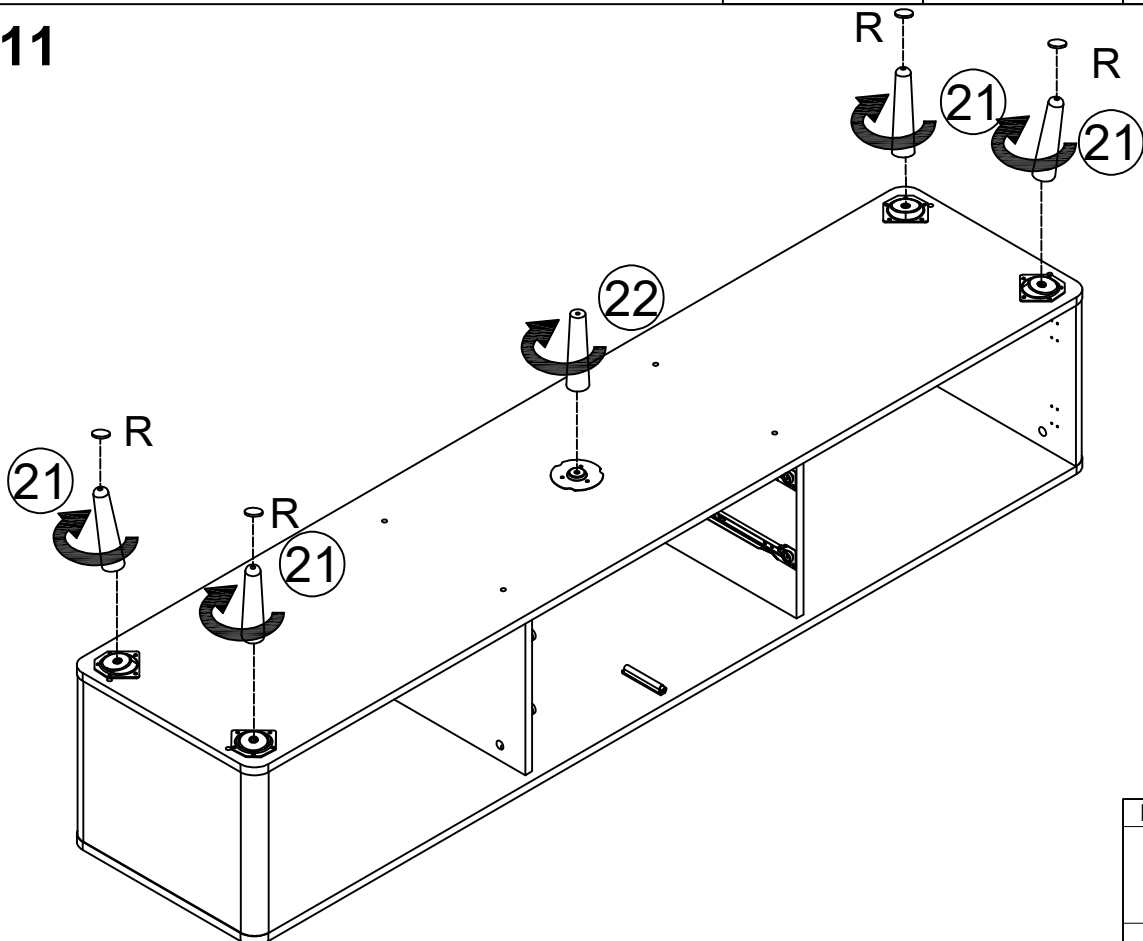
Assembly Instructions


STEP 10



E	x23	H	x4	I	x1
					
M3.5x14mm					

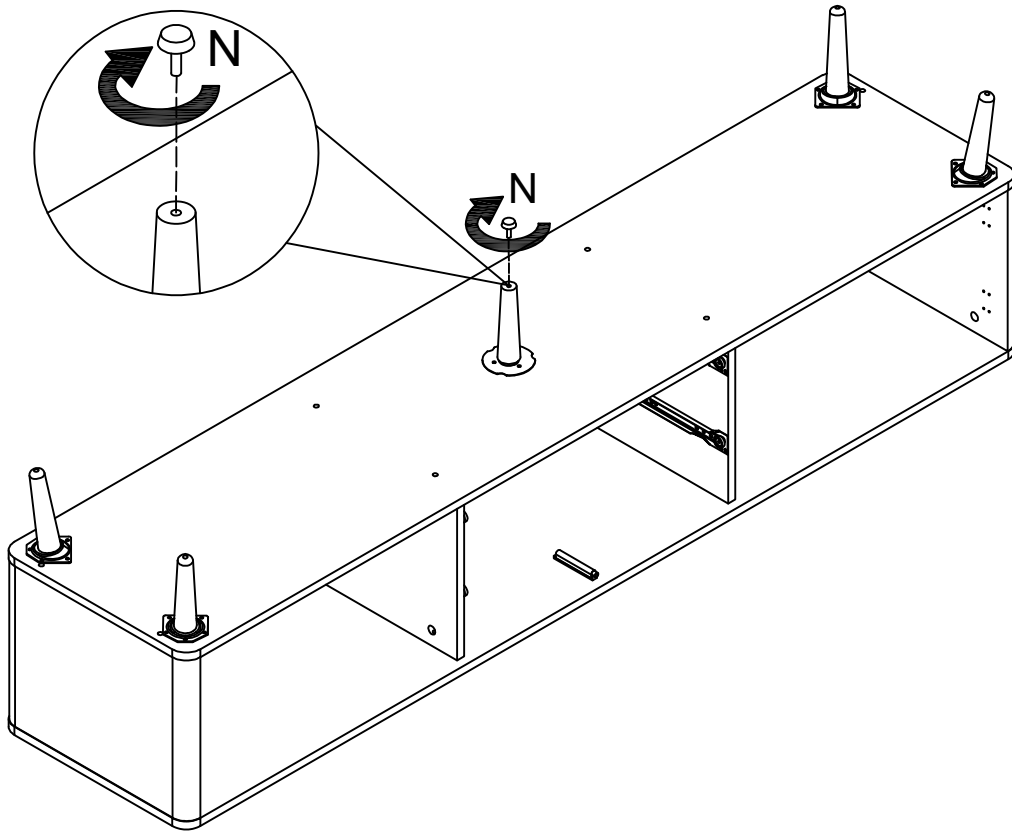
STEP 11



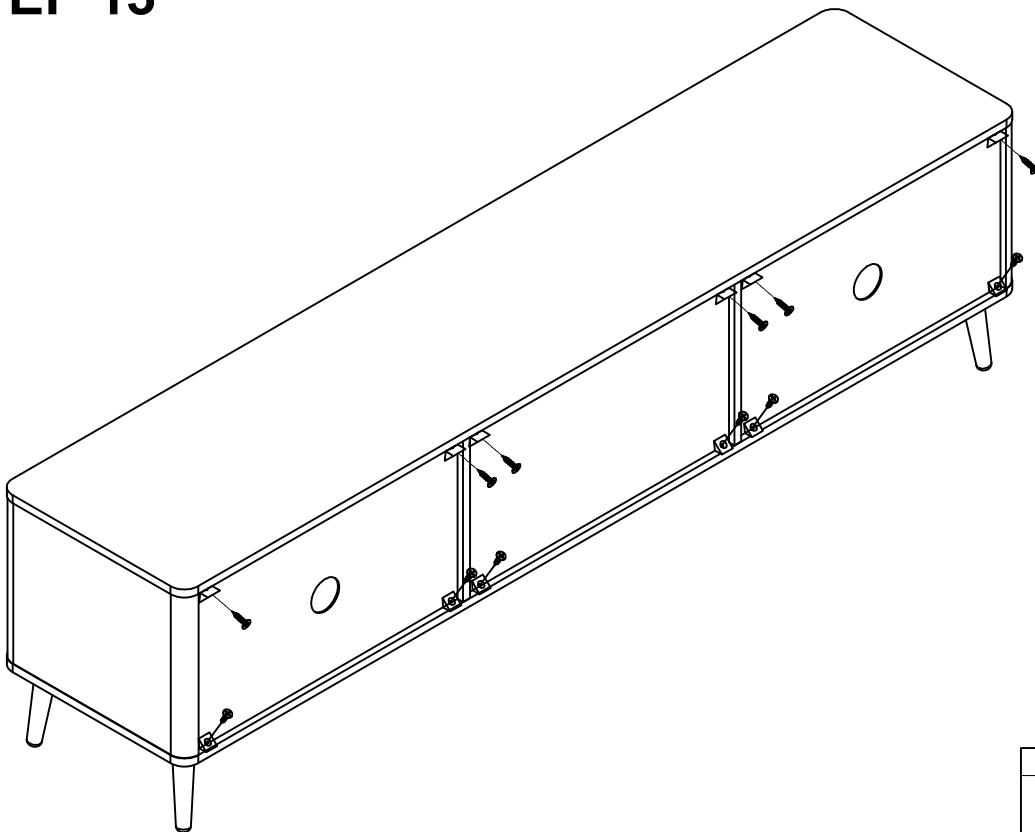
R	x4
	

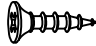

Assembly Instructions

STEP 12



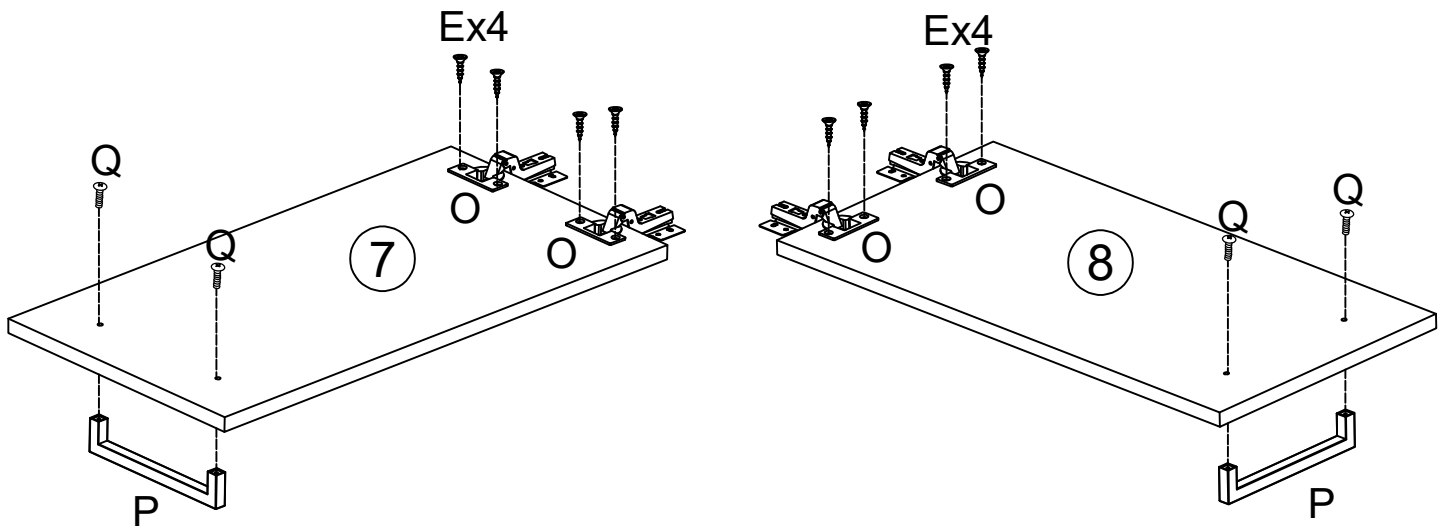
STEP 13

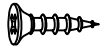

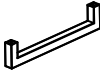
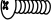


E	x12	F	x12
			
M3.5x14mm			

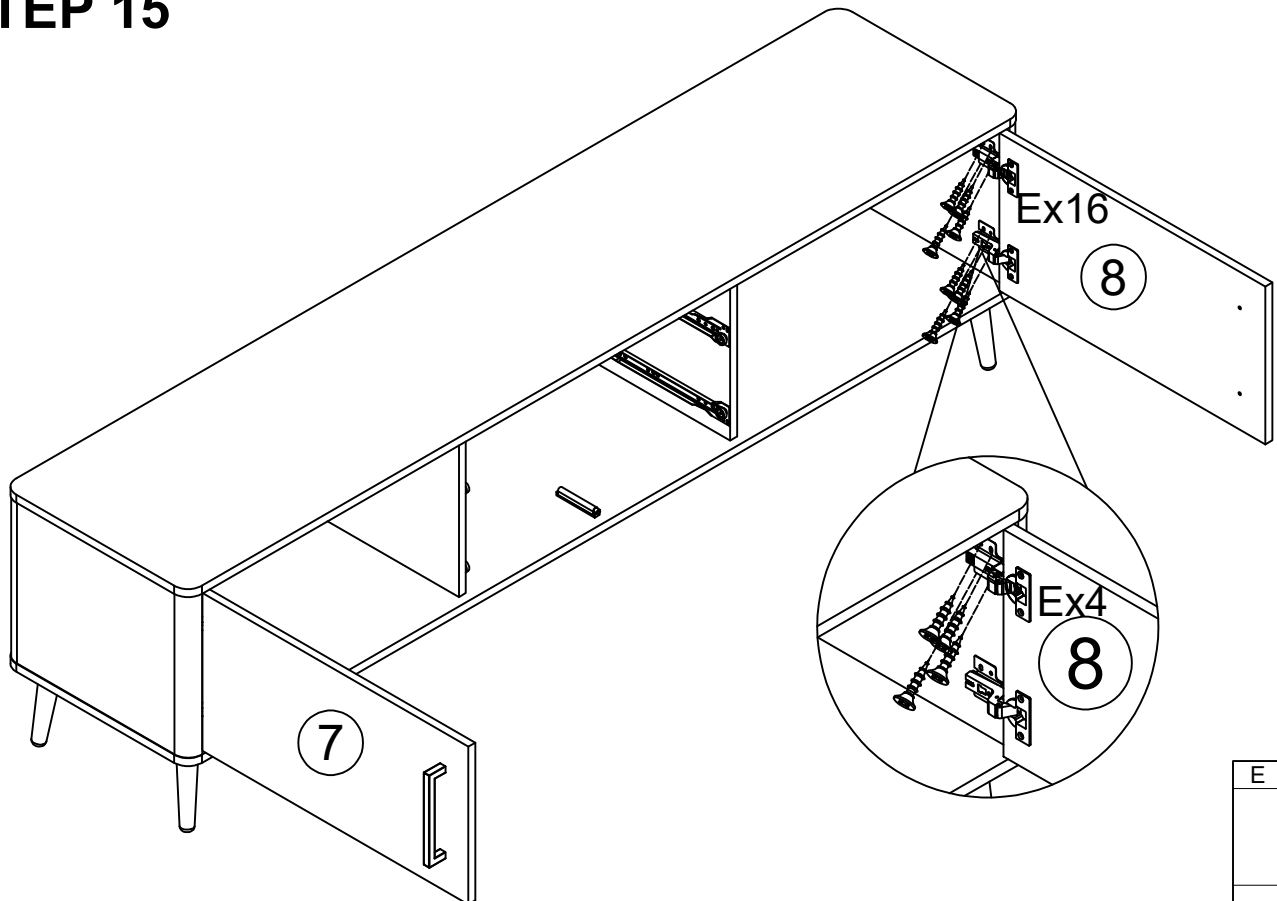
Assembly Instructions

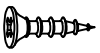
STEP 14



E	x8	O	x4	P	x2	Q	x4
							
M3.5x14mm						M4x18mm	

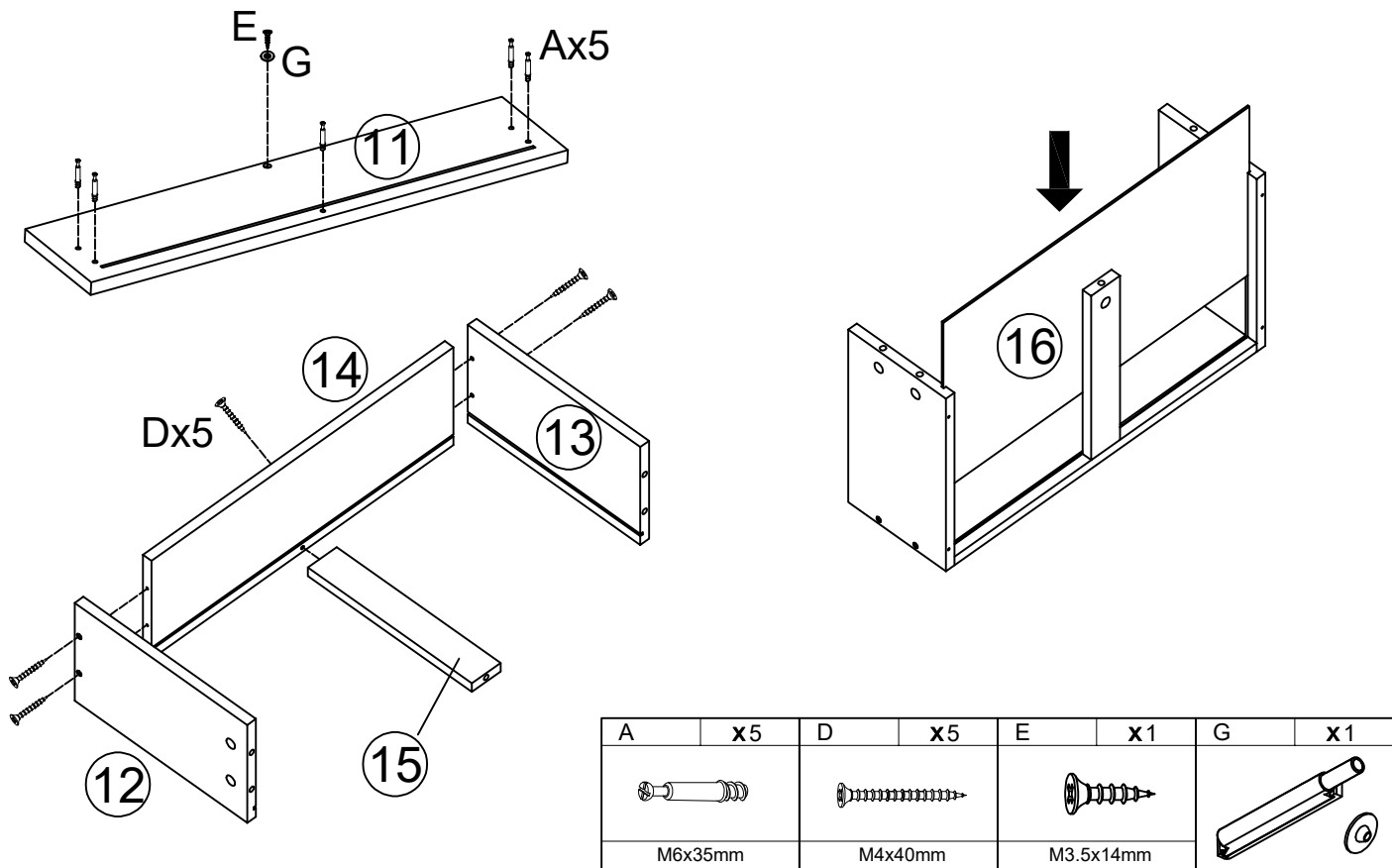
STEP 15



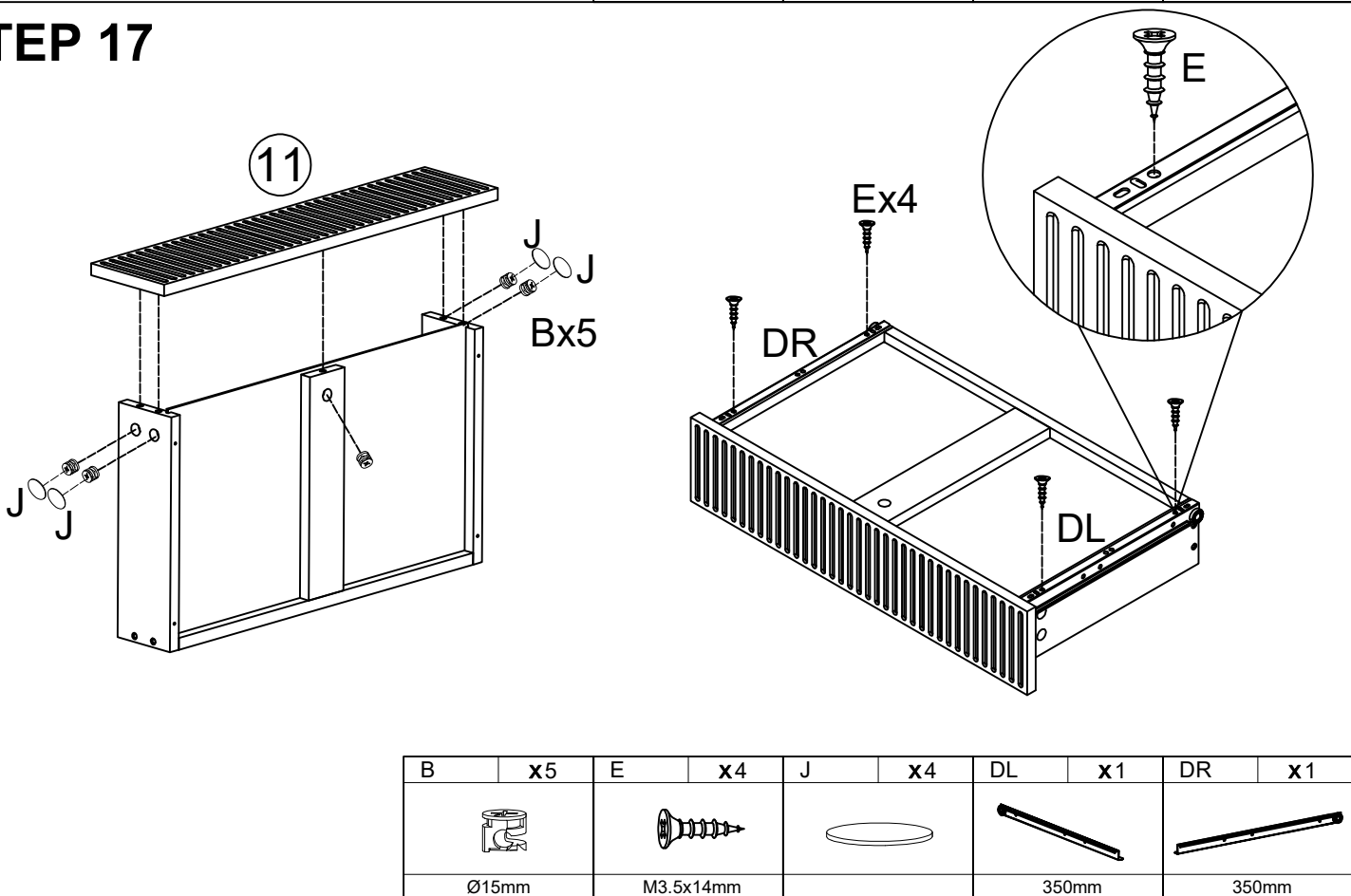
E	x16
	
M3.5x14mm	

Assembly Instructions

STEP 16

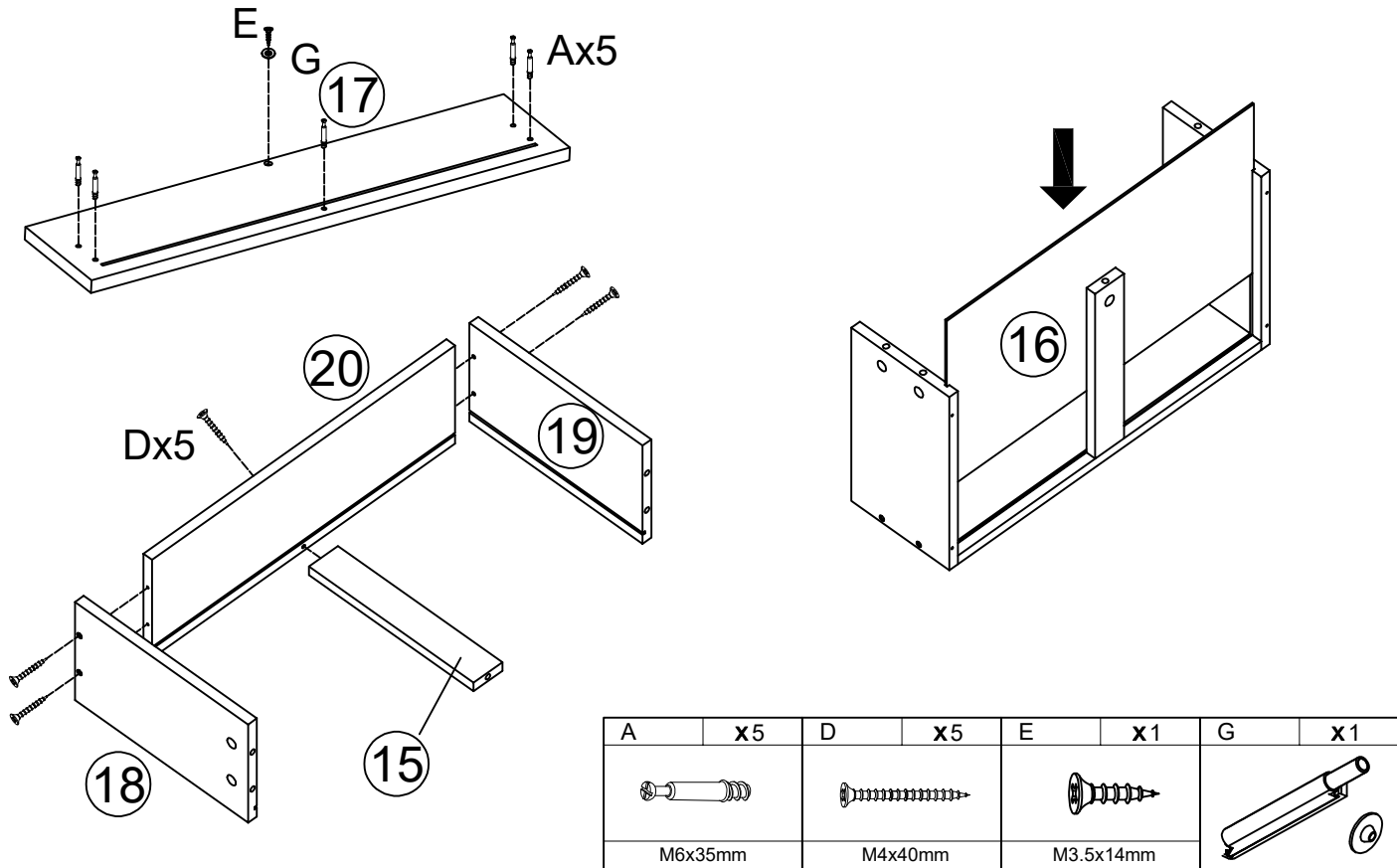


STEP 17

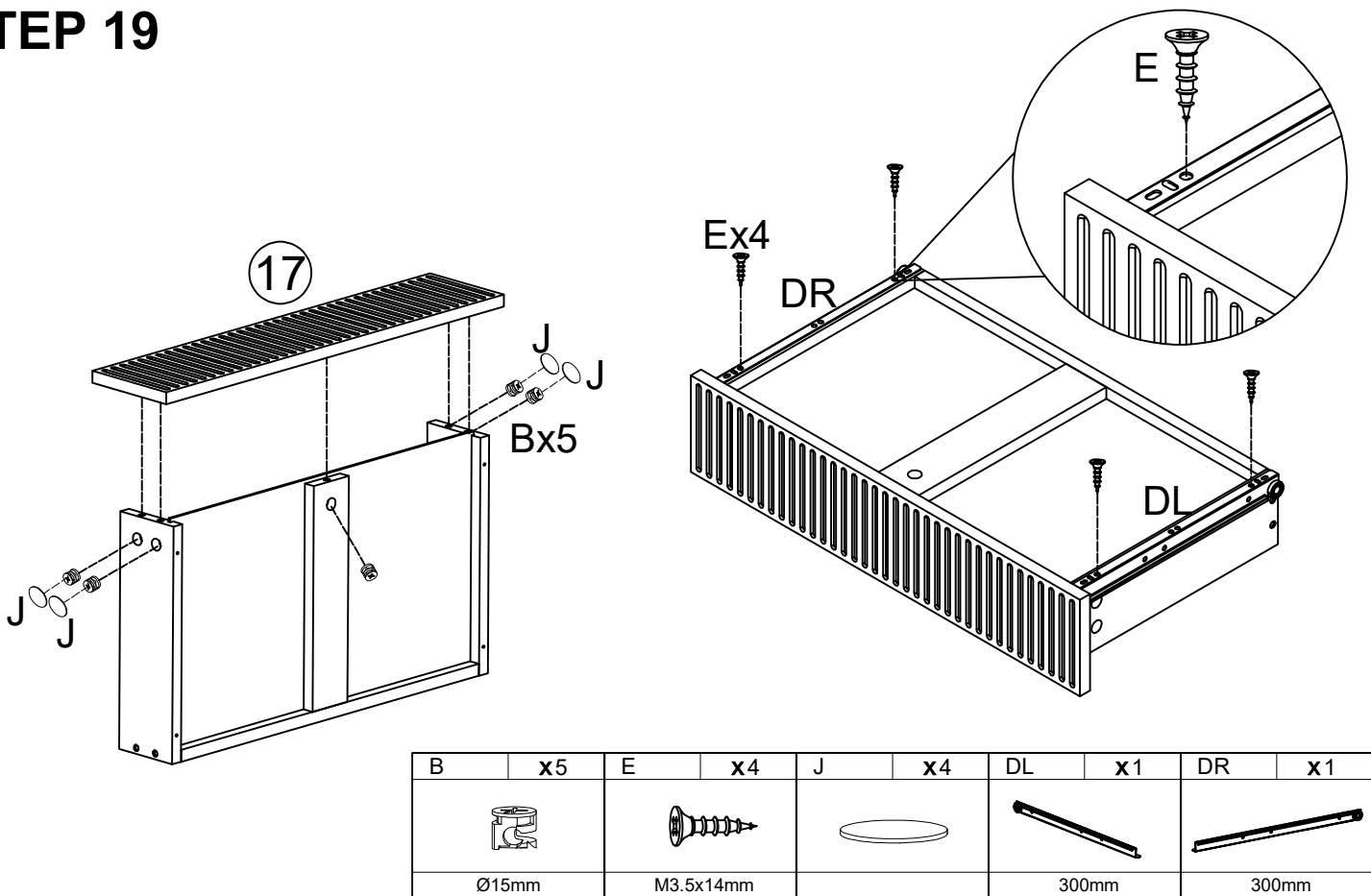


Assembly Instructions

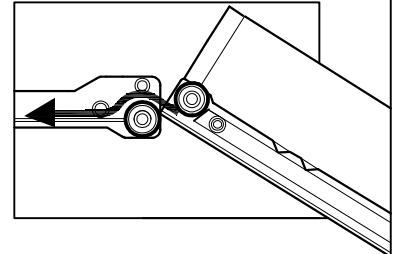
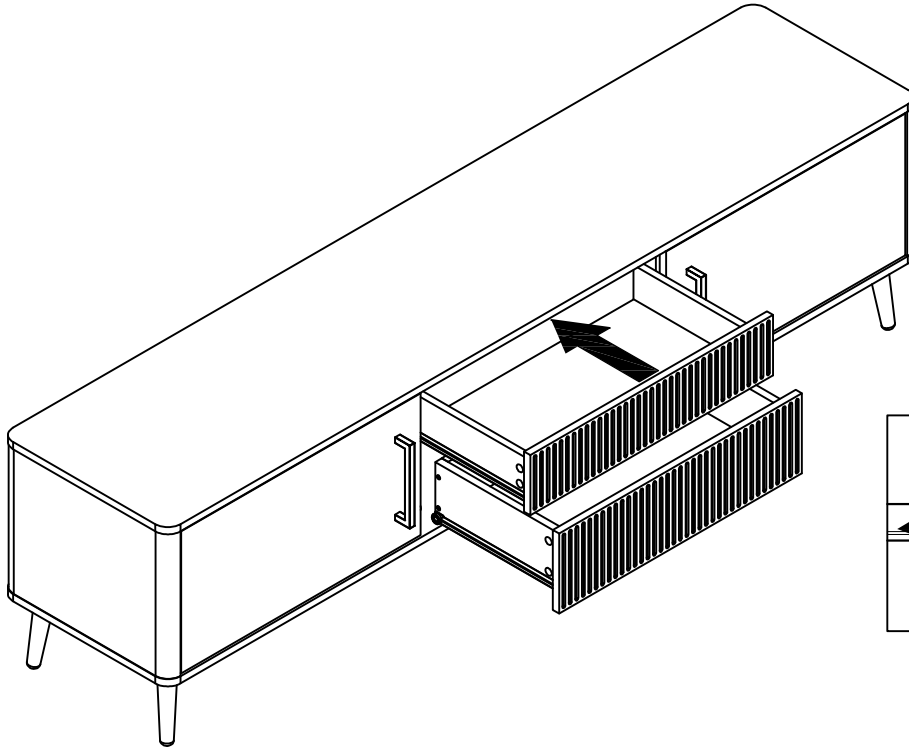
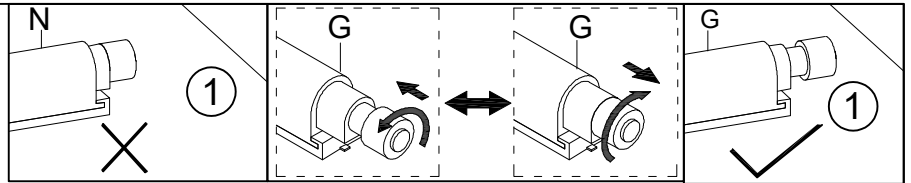
STEP 18



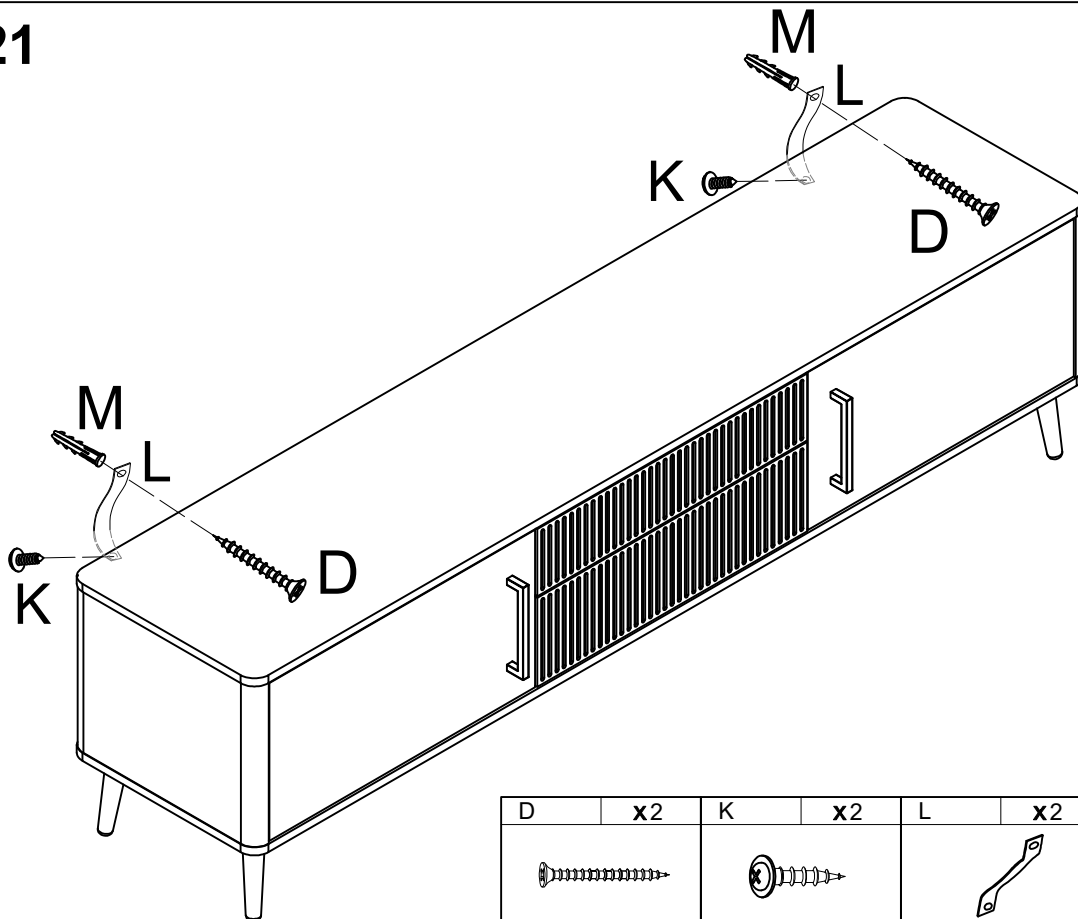
STEP 19

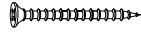
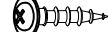




STEP 20



STEP 21



D	x2	K	x2	L	x2	M	x2
							
M4x40mm		M4x12mm					