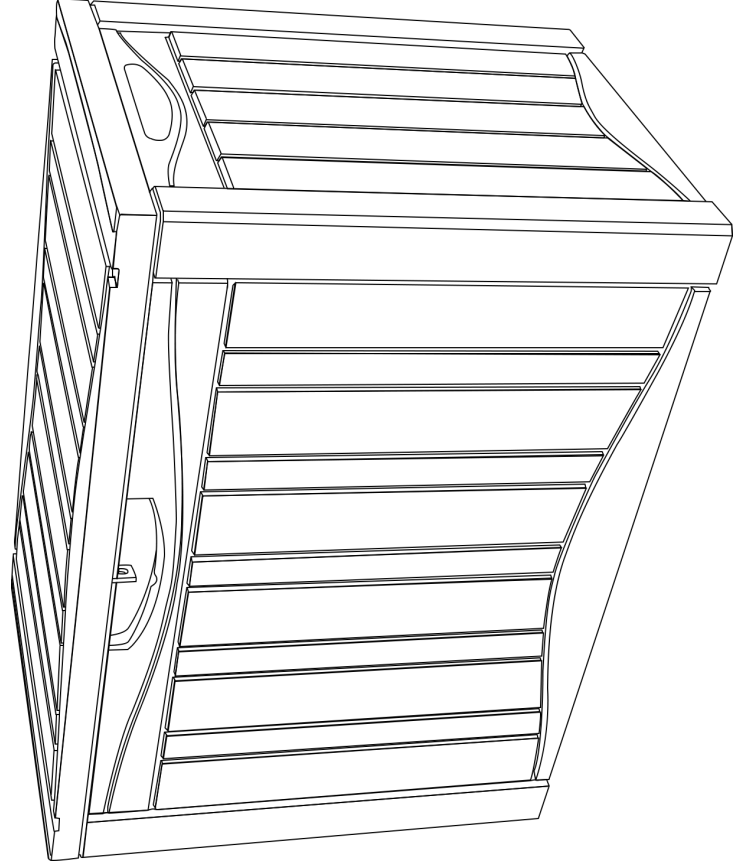


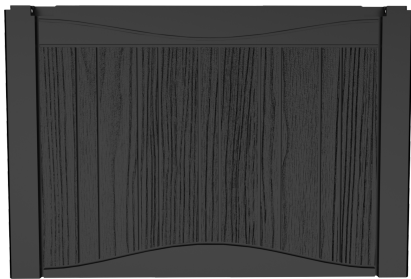
PATIOEASY



Deck Box Split Diagram



PARTS LIST



PANEL × (1 **B**)

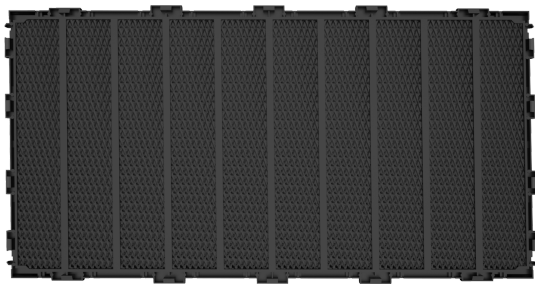
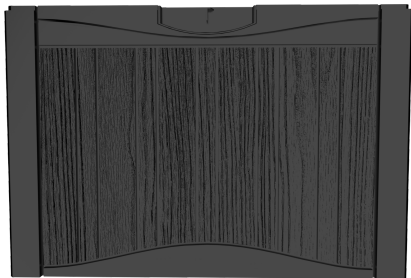


PLATE × (1 **A**)



PANEL × (1 **D**)



PANEL × (1 **C**)

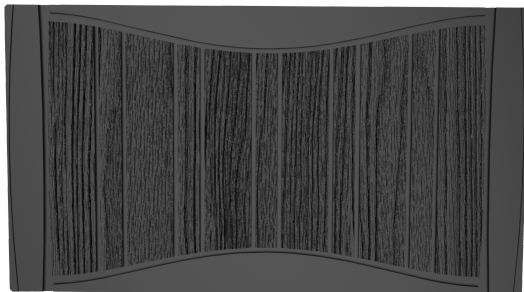


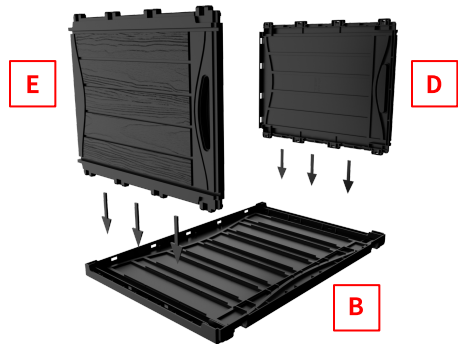
PLATE × (1 **F**)



PANEL × (1 **E**)

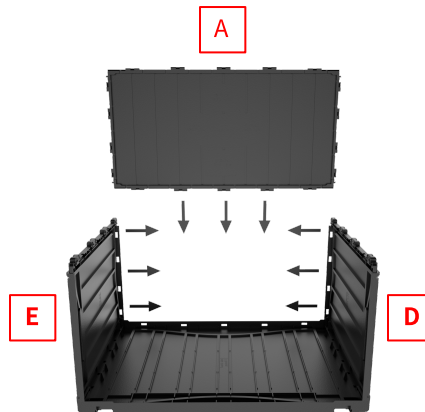
INSTALLATION STEPS

1



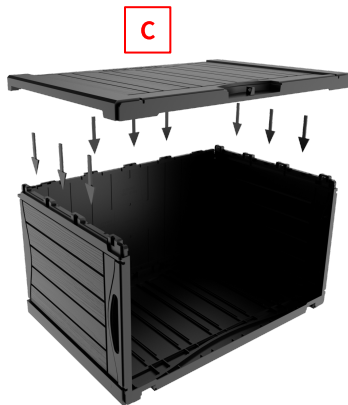
IMPORTANT: Ensure the handles in the side panels are installed on the both sides of the Back plate (A).

2



IMPORTANT: Ensure that the bottom plate is installed between the back plate and the side plates on both sides, as shown in the picture.

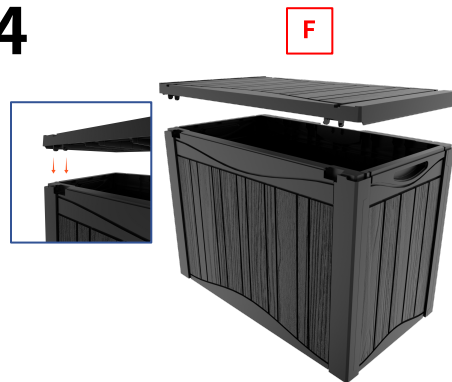
3



IMPORTANT: Ensure the groove on the front panel is installed on the same as the handles in the side panels as indicated in the picture.

Firmly and evenly press Front Panel (C) onto the assembled components as shown.

4



IMPORTANT: Use caution when attaching the lid; too much force may cause the resin to crack.

Firmly but carefully press the hinges on Lid (F) into the grooves of the back panel.