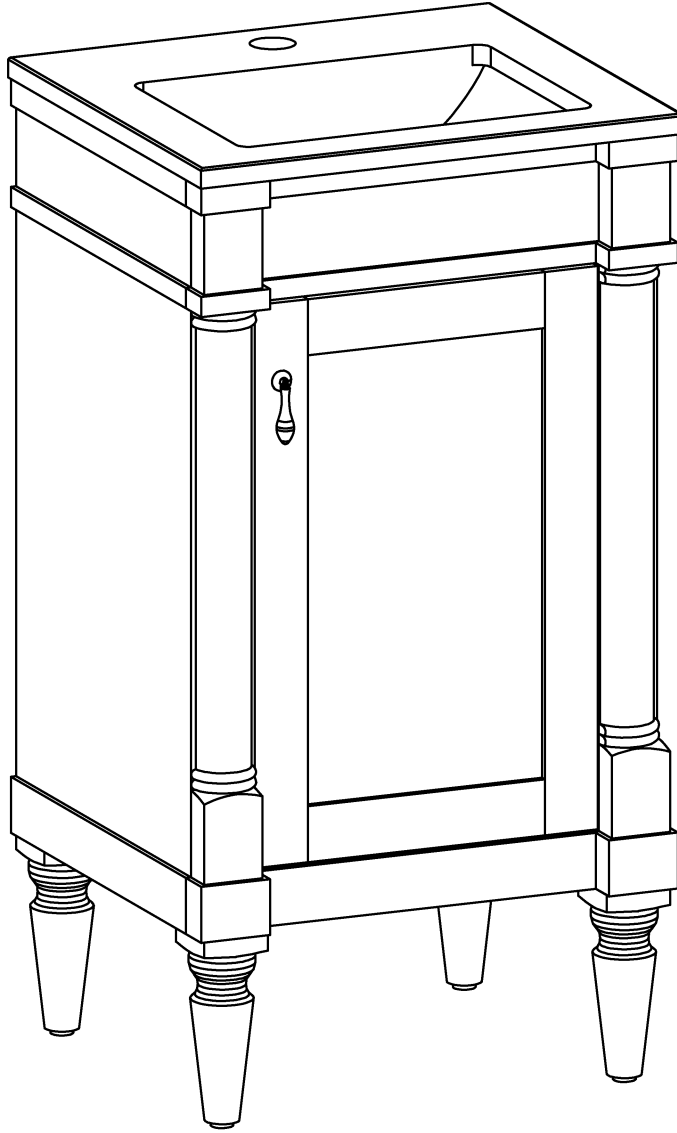


ASSEMBLY INSTRUCTIONS


BATH VANITY-CABINET

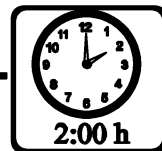
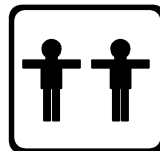
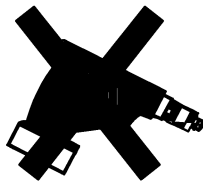


Thank you for purchasing this quality product. Be sure to check all packing material carefully for small parts which may have come loose inside the carton during shipment. Separate, identify and count all parts and hardware.

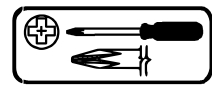
Compare with the parts list to be sure all parts are present.

DO NOT TIGHTEN SCREWS UNTIL COMPLETELY ASSEMBLED

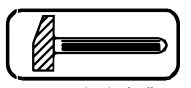

* Use of power tool to assemble this product will invalidate any claim and damage this product making unsafe !!!
* Please assemble on a clean soft surface to avoid damage.



Tools Required



(Not included)

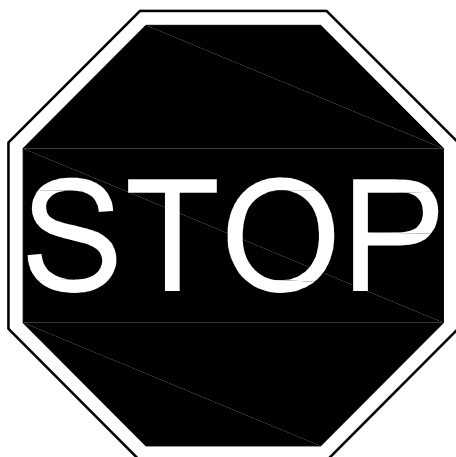


(Not included)

IMPORTANT:

PLEASE READ INSTRUCTION BEFORE STARTING THE ASSEMBLY

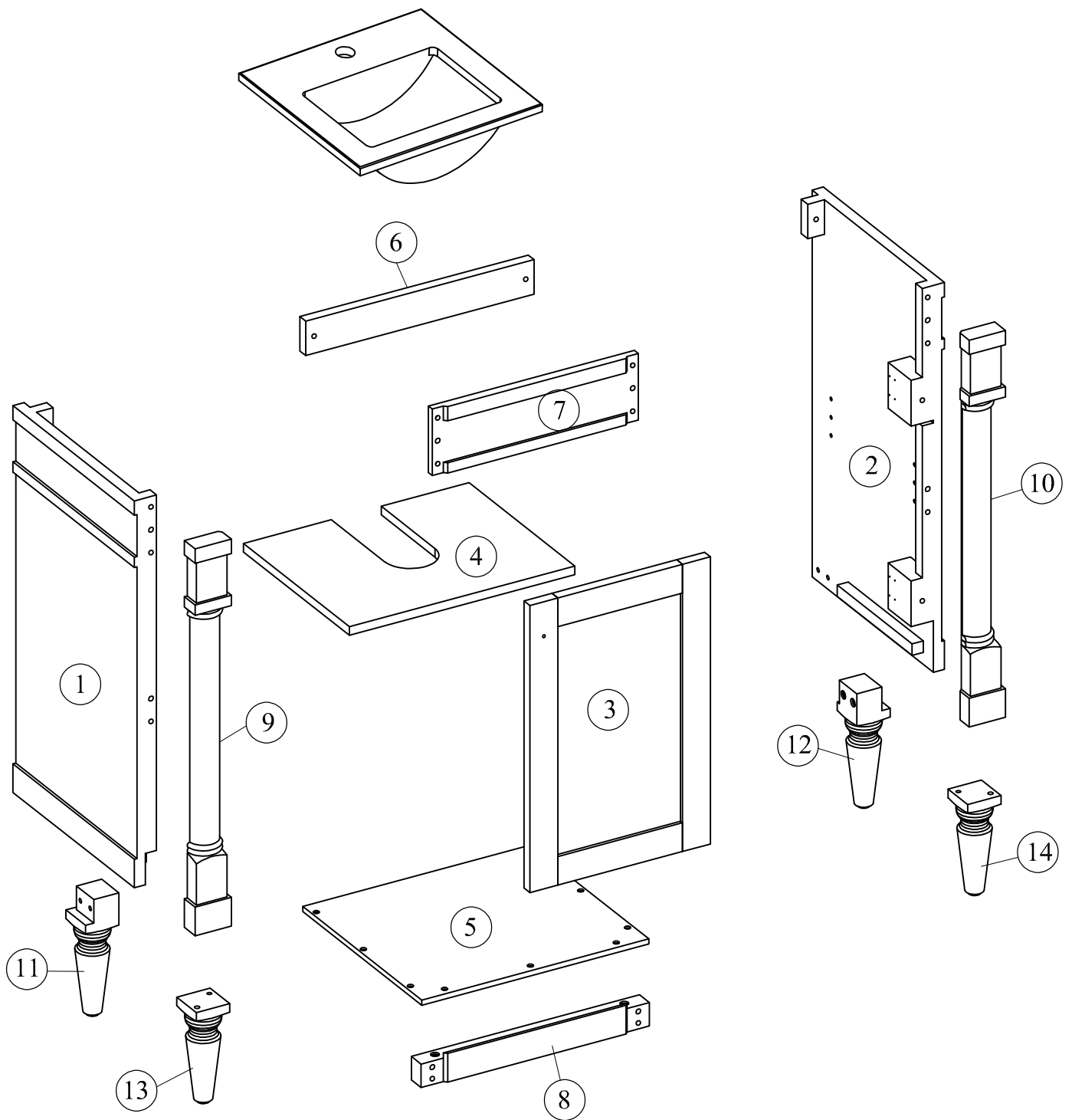
PLEASE DO NOT RETURN TO STORE



**Please do not return this product to the retailer!!
We are able to assist you in ANY way**

If you find that you have any trouble with assembly or missing or damaged parts please contact the seller.

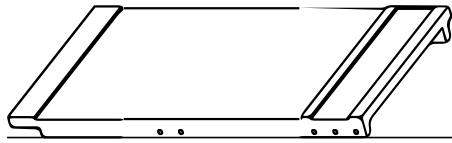
Detail View



Identifying the Hardware-Identify the hardware using the illustrations below.

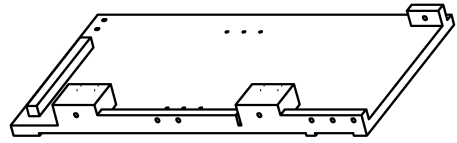
Part Lists

1



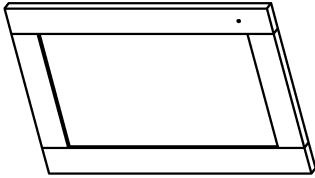
Left Panel -1pc

2



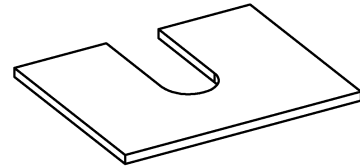
Right Panel -1pc

3



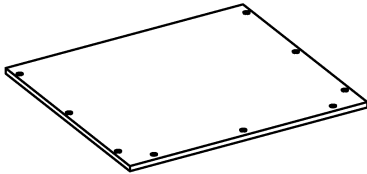
Door -1pc

4



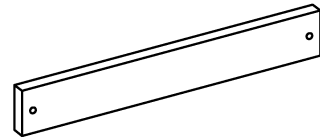
Shelf -1pc

5



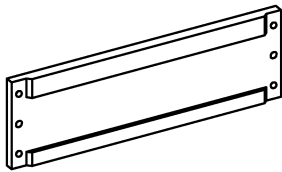
Bottom Shelf -1pc

6



Back Wood Bar -1pc

7



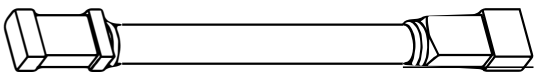
Wood Bar -1pc

8



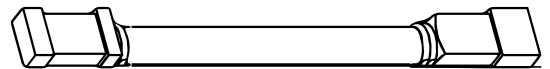
Bottom Wood Bar -1pc

9



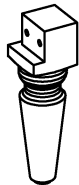
Left Leg -1pc

10



Right Leg -1pc

11



Back Left leg -1pc

12



Back Right leg -1pc

13



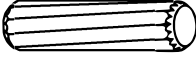

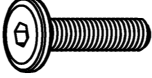
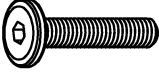





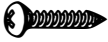

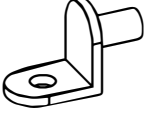


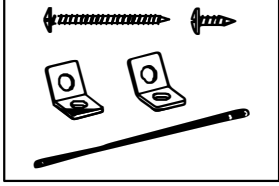
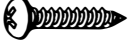
Front Left leg -1pc

14

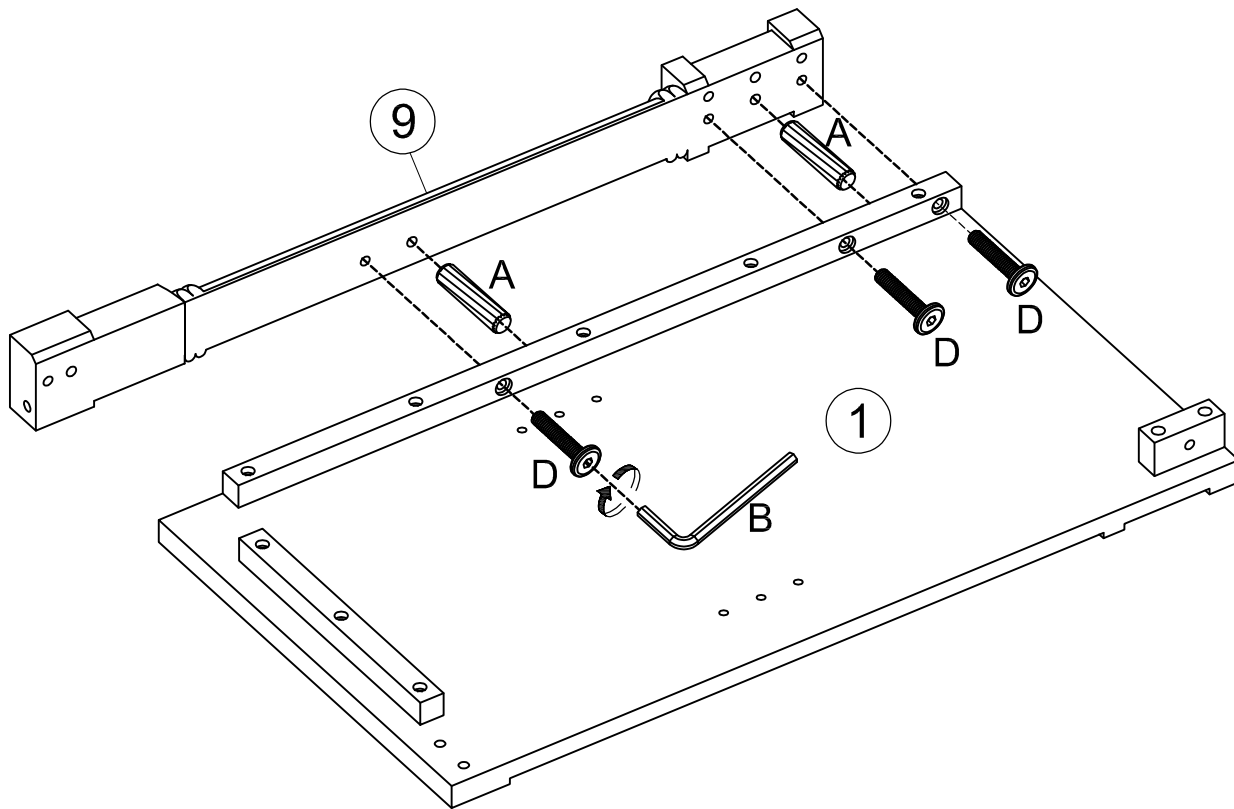


Front Right leg -1pc

Hardware Lists

<p>A</p>  <p>Ø8*20mm</p> <p>Wood dowel (10pcs)</p>	<p>B</p>  <p>K4mm</p> <p>Allen key (1pc)</p>	<p>C</p>  <p>Ø13x1/4*25mm</p> <p>Hex-Head bolt (4pcs)</p>
<p>D</p>  <p>Ø13x1/4*30mm</p> <p>Hex-Head bolt (8pcs)</p>	<p>E</p>  <p>Ø13x1/4*40mm</p> <p>Hex-Head bolt (2pcs)</p>	<p>F</p>  <p>Ø13x1/4*50mm</p> <p>Hex-Head bolt (8pcs)</p>
<p>G</p>  <p>Ø8xØ4*15mm</p> <p>Flat head screw (9pcs)</p>	<p>H</p>  <p>Ø6xØ3*15mm</p> <p>Flat head screw (2pcs)</p>	<p>I</p>  <p>Ø7xØ3.5*12mm</p> <p>Flat head screw (12pcs)</p>
<p>J</p>  <p>Ø6xØ2*12mm</p> <p>Round head screw (4pcs)</p>	<p>K</p>  <p>45*12*1mm 45*17*14mm</p> <p>Plastic Door Magnet (1set)</p>	<p>L</p>  <p>Shelf Pin (4pcs)</p>
<p>M</p>  <p>Damping hinge (2pcs)</p>	<p>N</p>  <p>Handle(1pc)</p>	<p>O</p>  <p>Anti Tip Kit (2sets)</p>
<p>P</p>  <p>Ø6xØ3*15mm</p> <p>Round head screw (2pcs)</p>		

STEP: 1



A



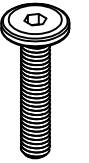
2pcs

B



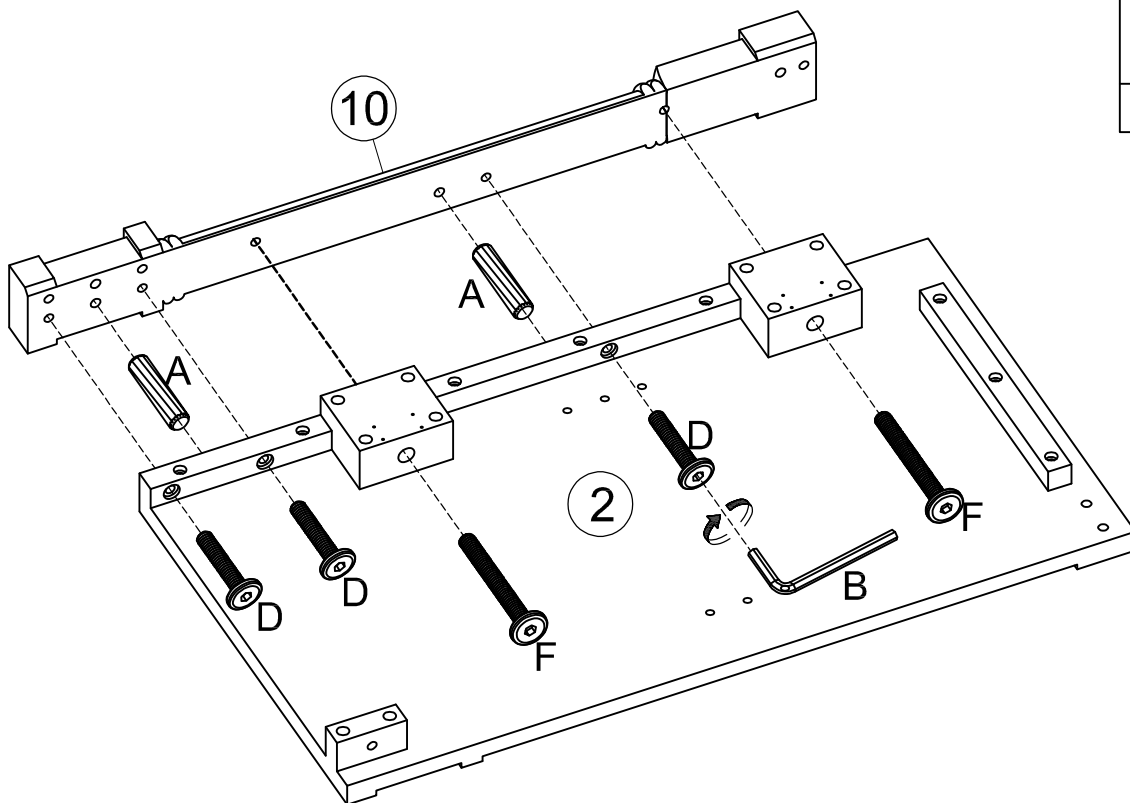
1pc

D



3pcs

STEP: 2



A



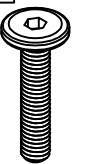
2pcs

B



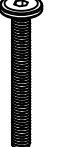
1pc

D



3pcs

F



2pcs

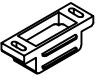
STEP: 3

P

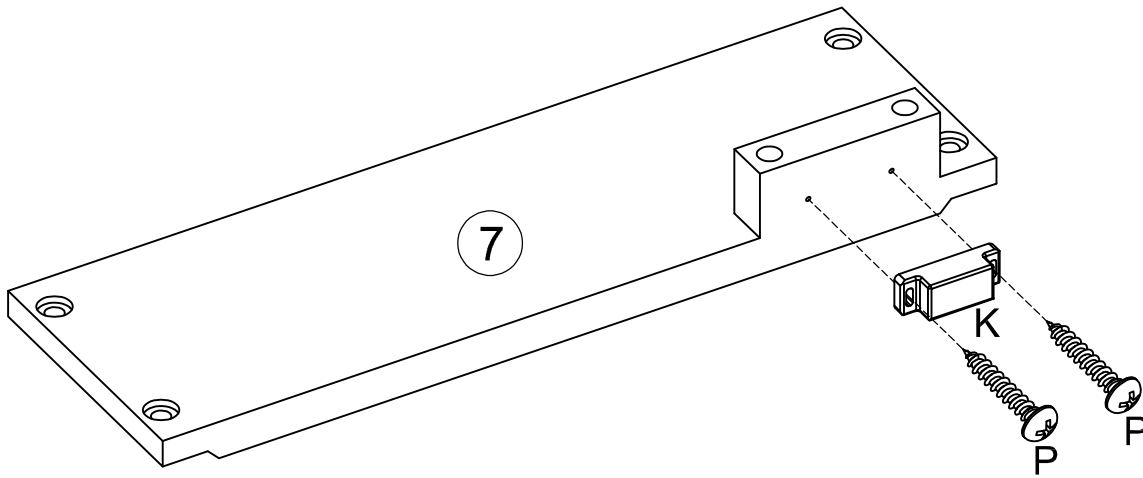


2pcs

K



1pc



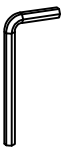
STEP: 4

A



4pcs

B



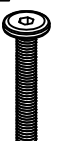
1pc

C

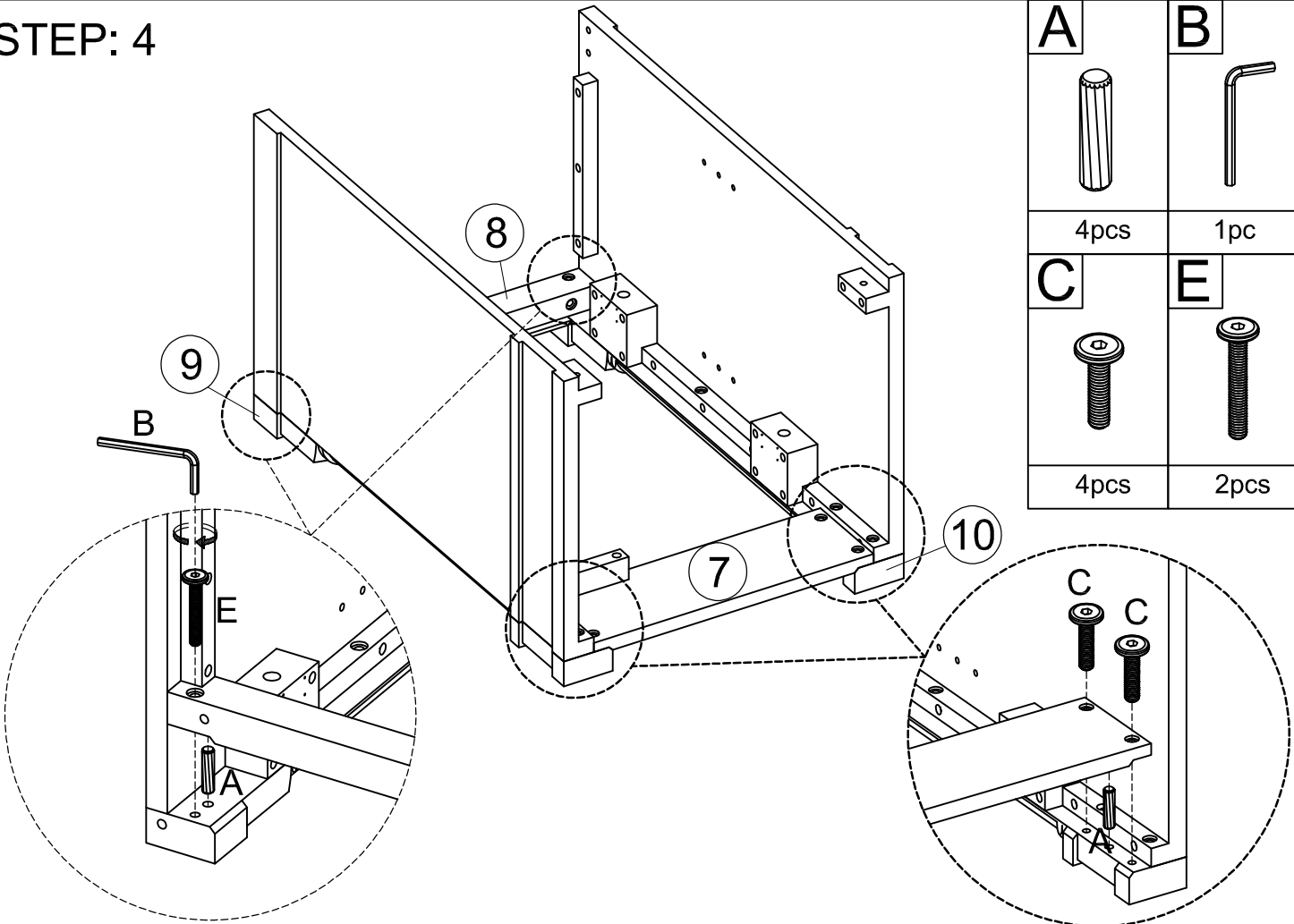


4pcs

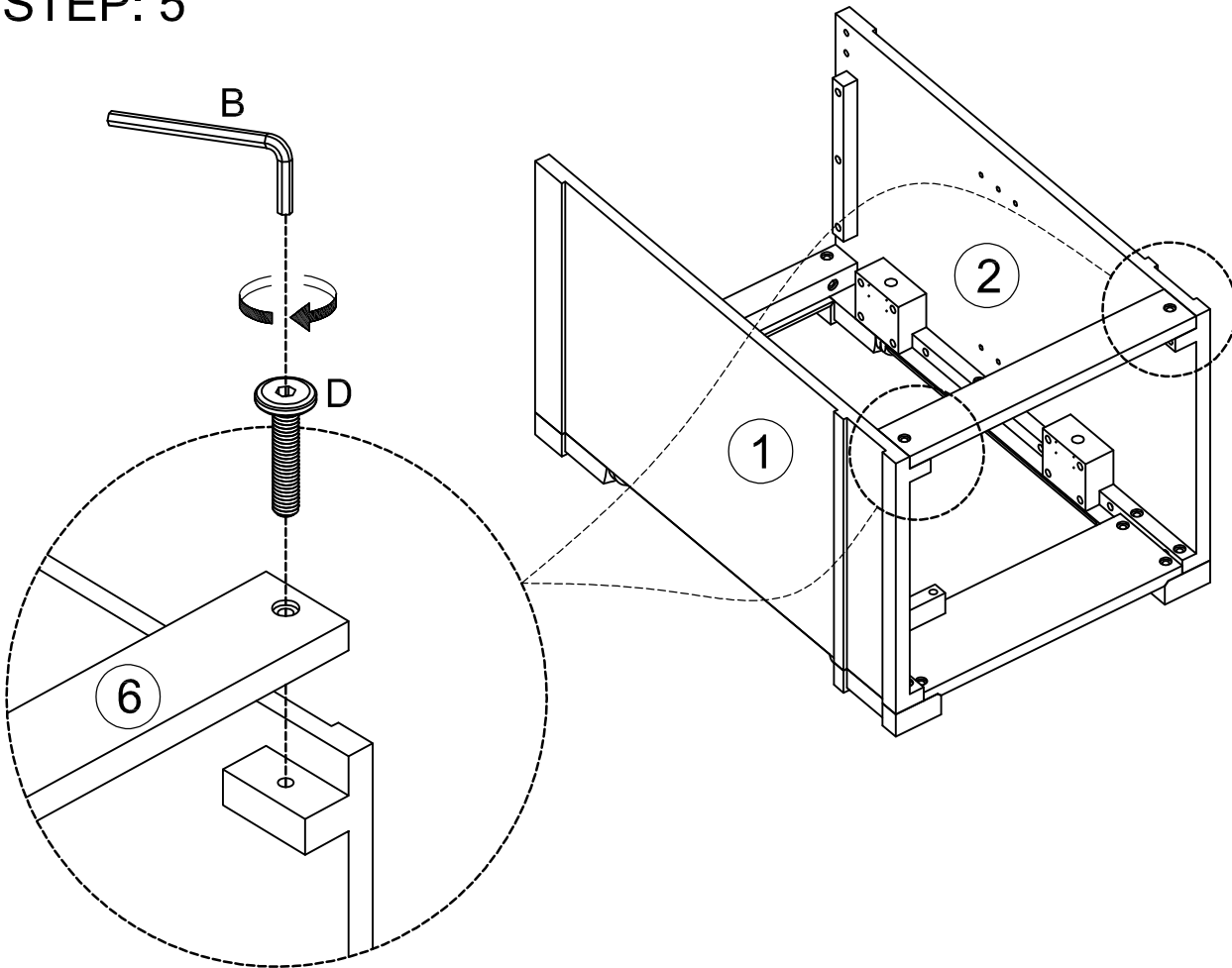
E



2pcs

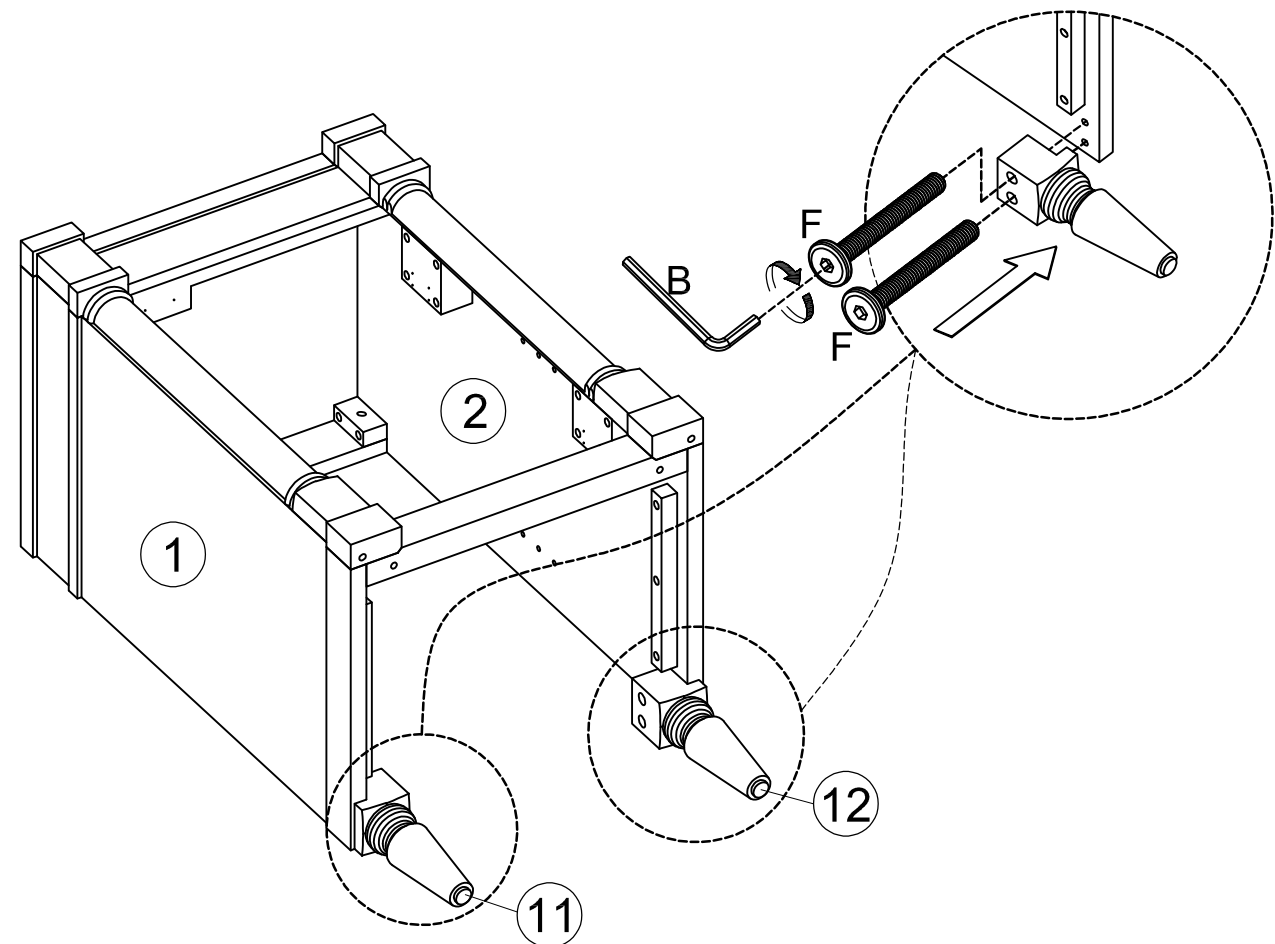


STEP: 5



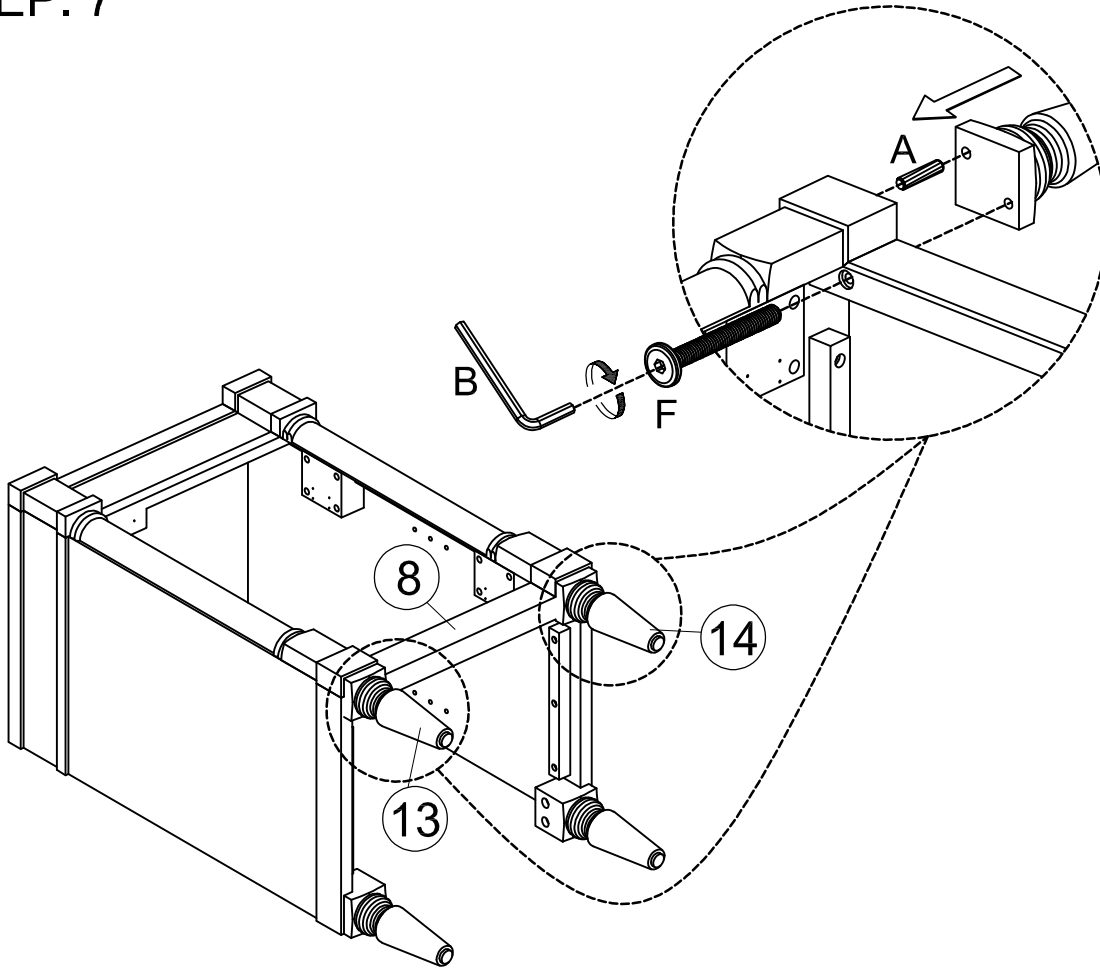
- B**
1pc
- D**
2pcs

STEP: 6



- B**
1pc
- F**
4pcs

STEP: 7



A



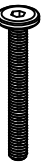
2pcs

B



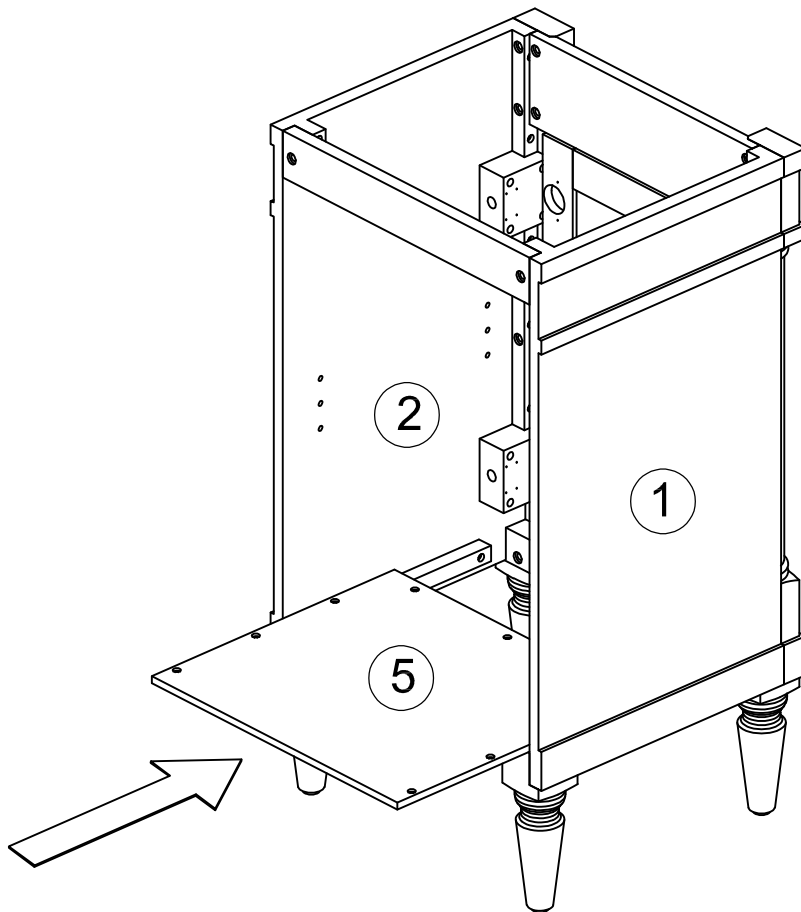
1pc

F



2pcs

STEP: 8

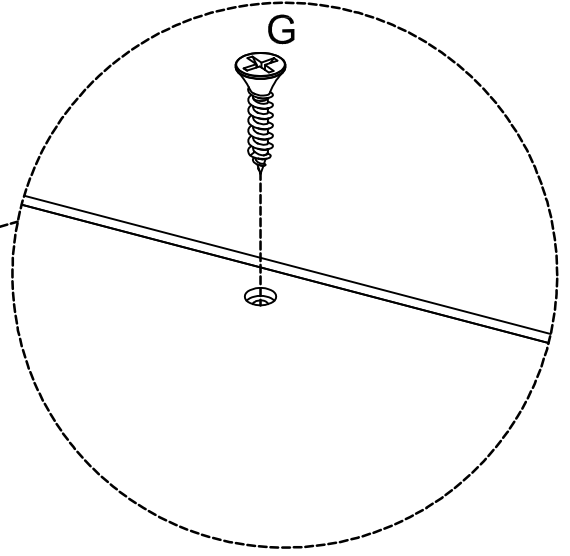
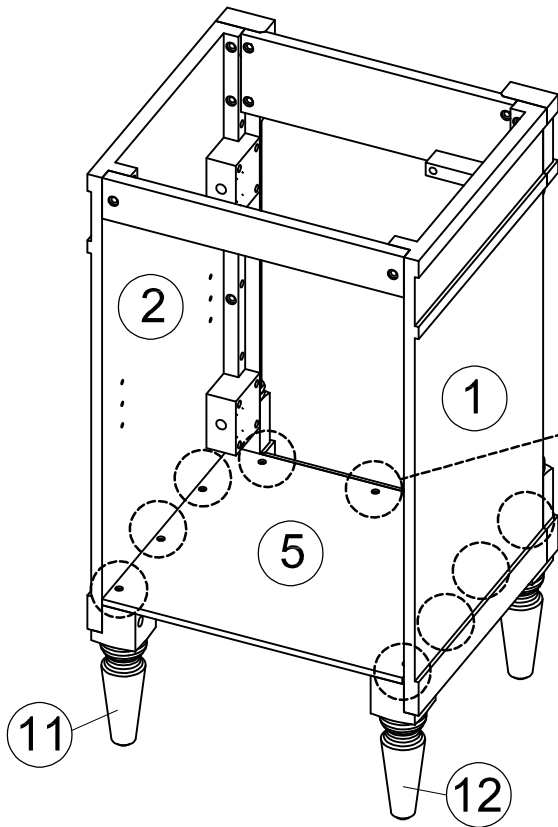


STEP: 9

G

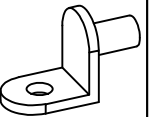


9pcs

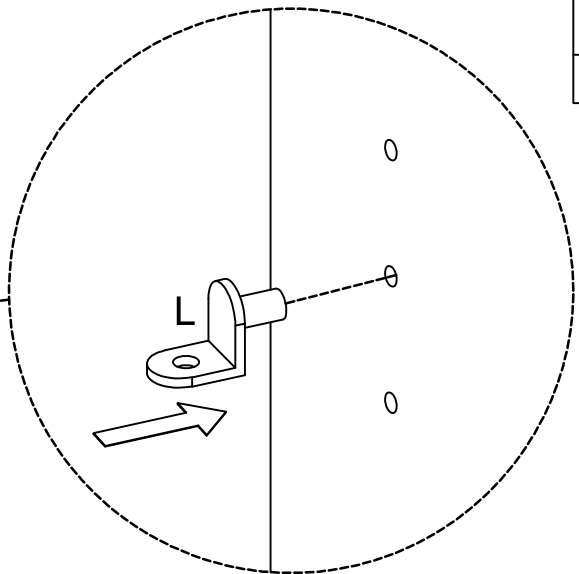
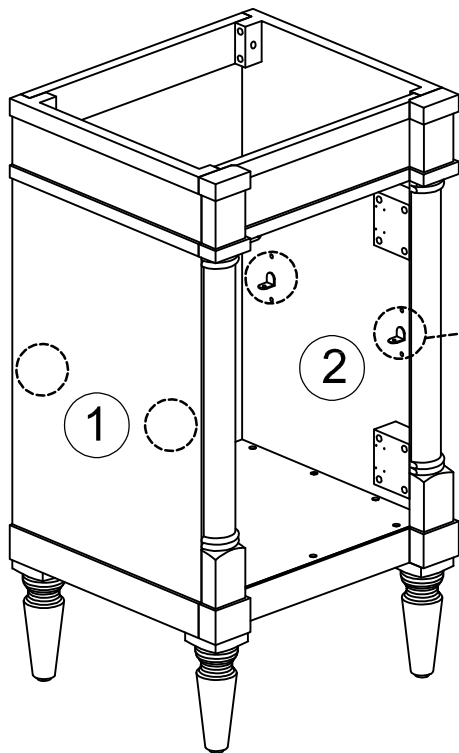


STEP: 10

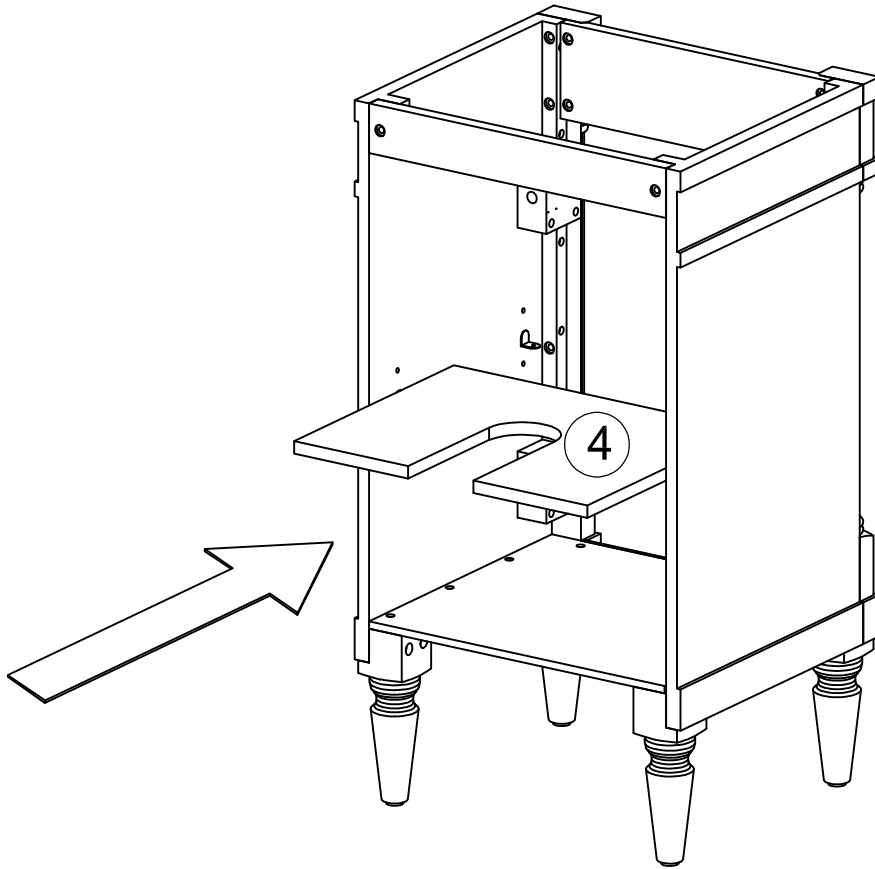
L



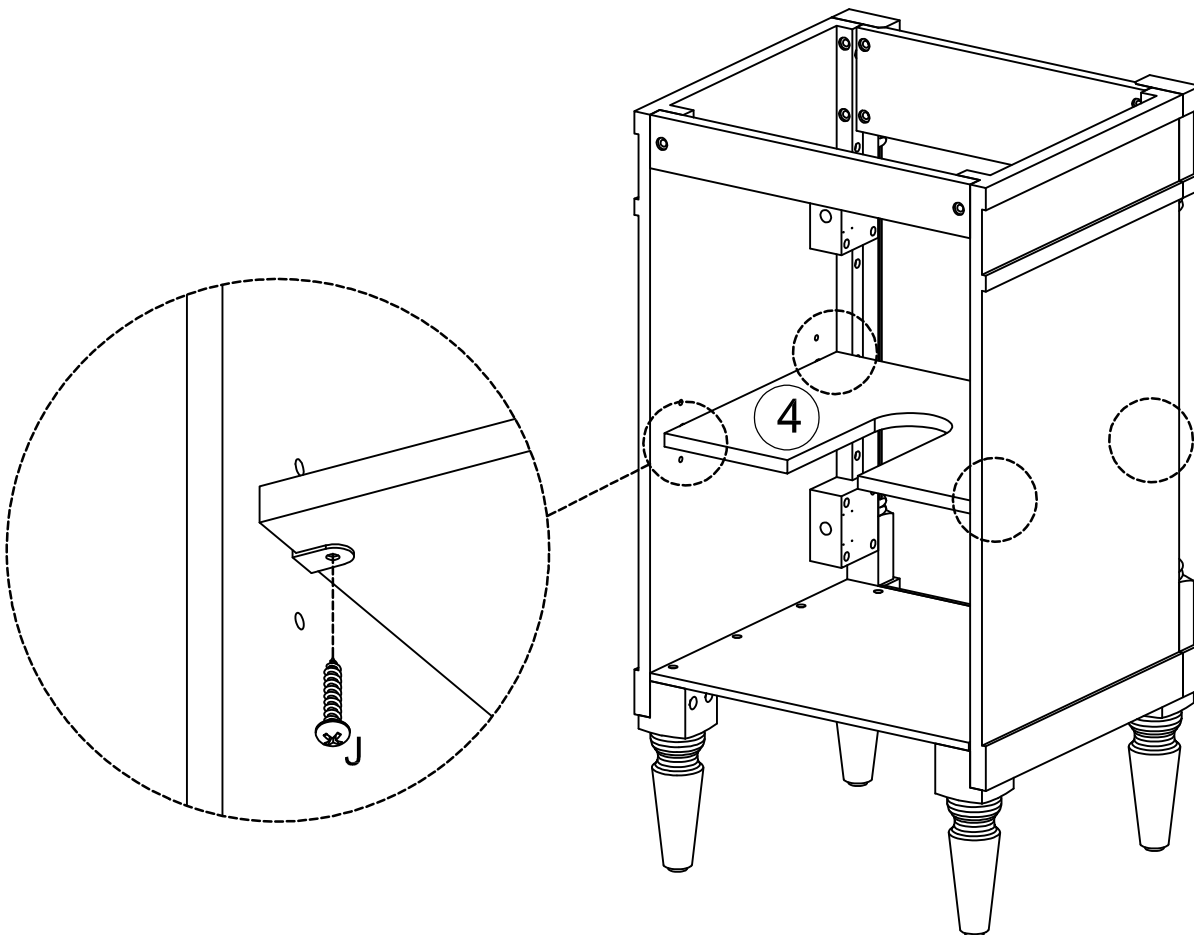
4pcs



STEP: 11



STEP: 12

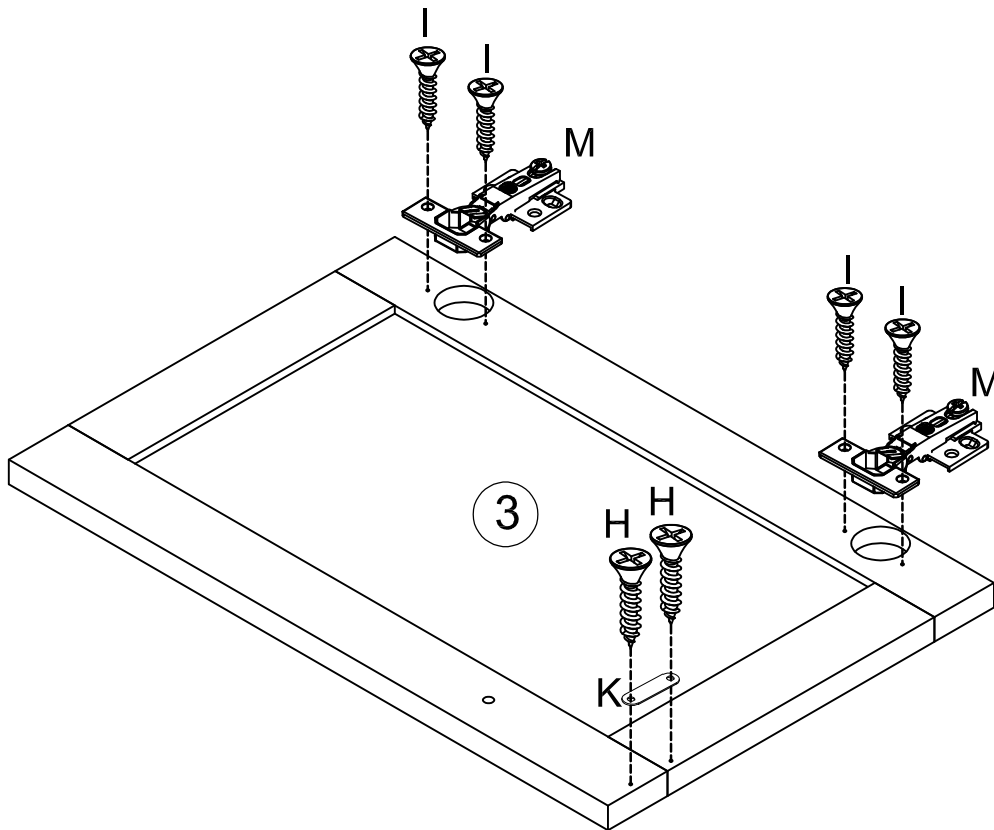





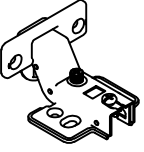
J



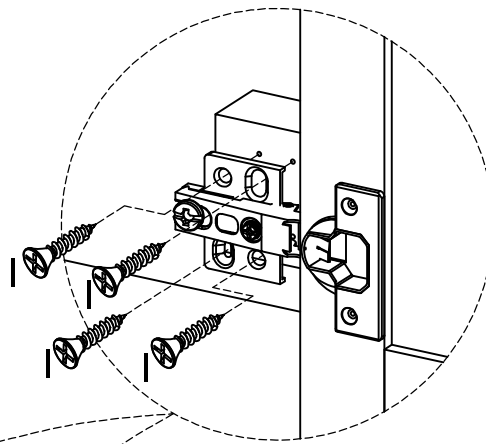
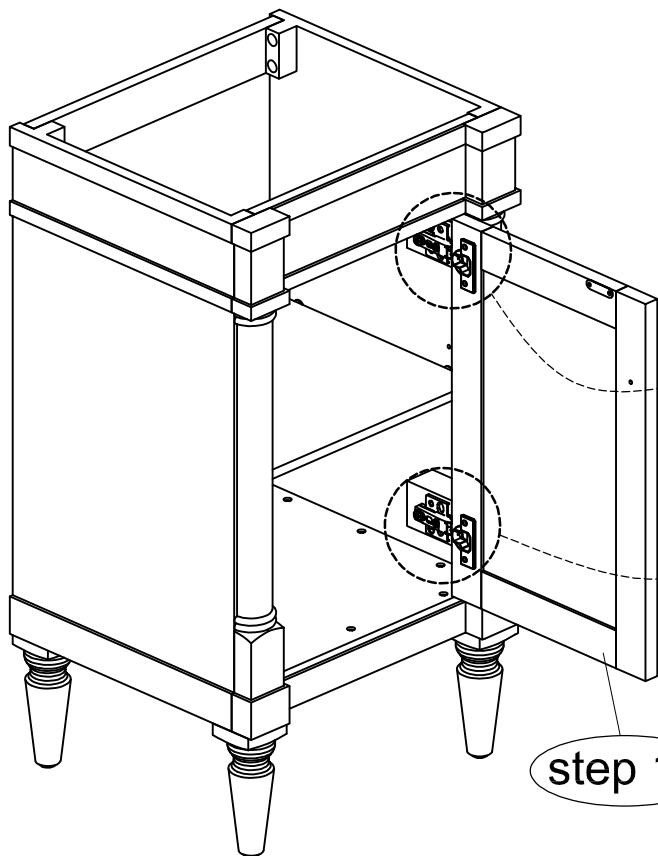
4pcs


STEP: 13

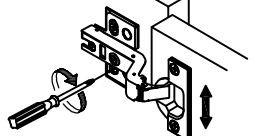
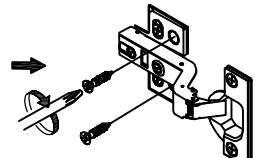
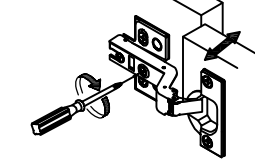
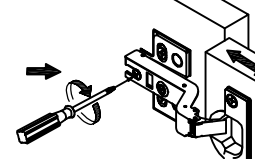


K	H
	
1pc	2pcs
	I
	
	4pcs
	M
	
	2pcs

STEP: 14



I

8pcs

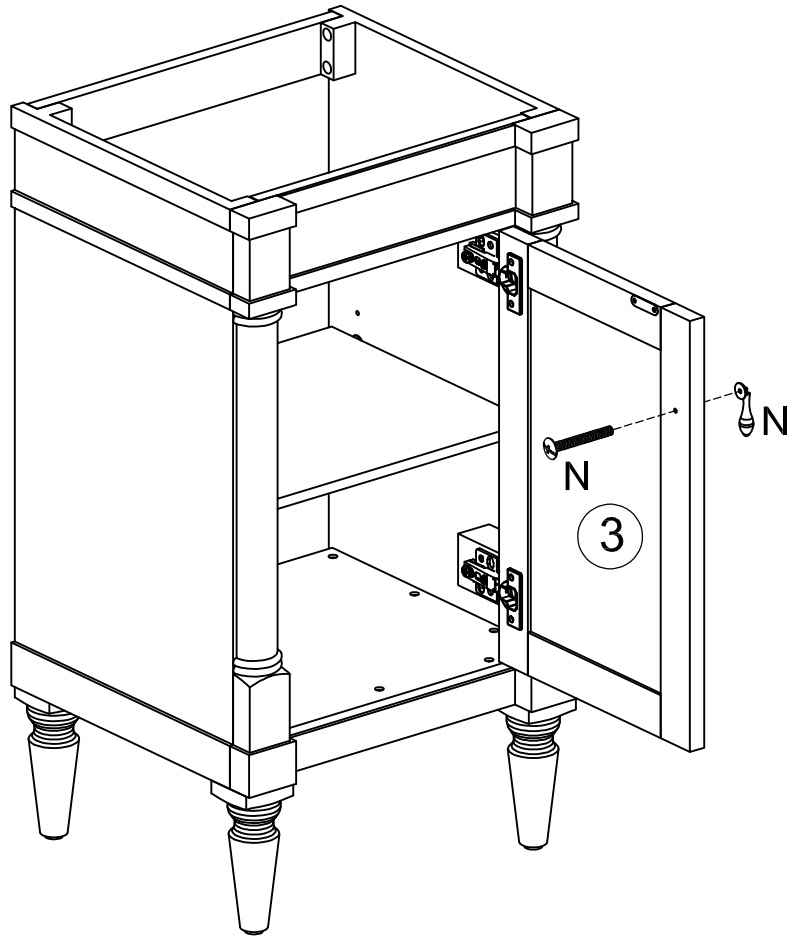
<p>Use the screws to adjust up or down</p> 	<p>Use the screws to permanent</p> 
<p>Use the screws to adjust left or right</p> 	<p>Use the screws to adjust in or out</p> 

STEP: 15

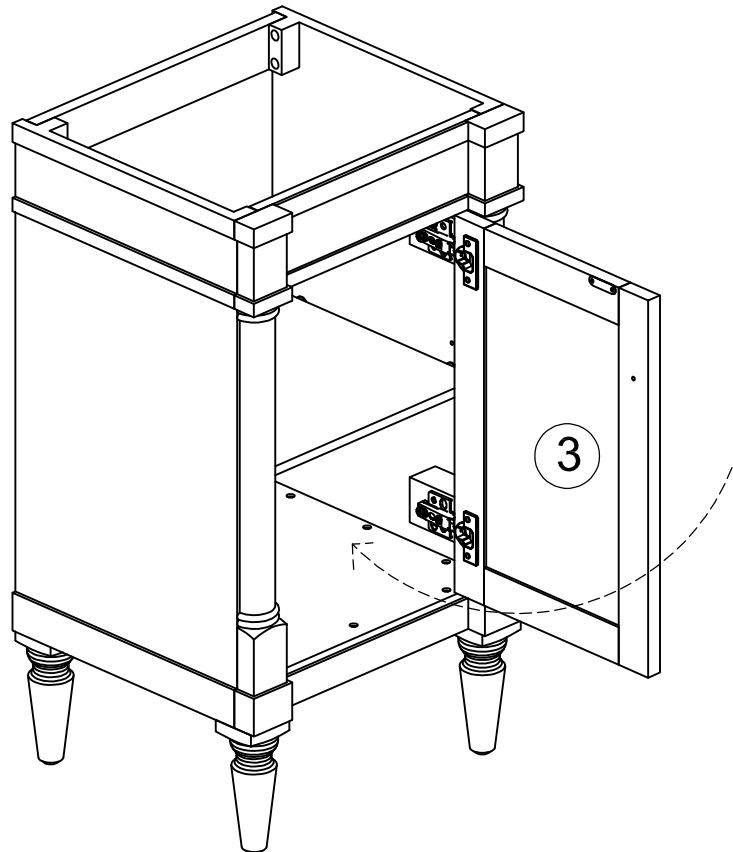
N



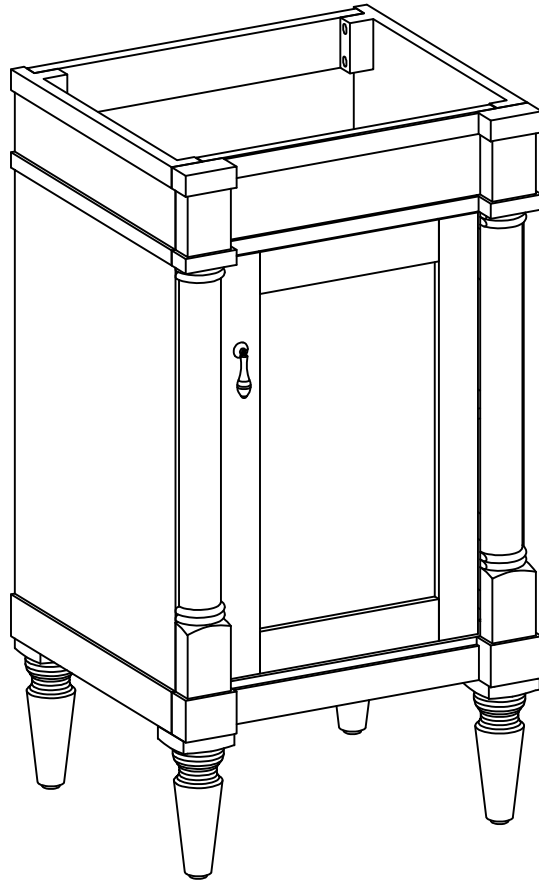
1pc



STEP: 16

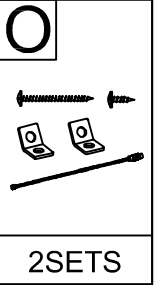
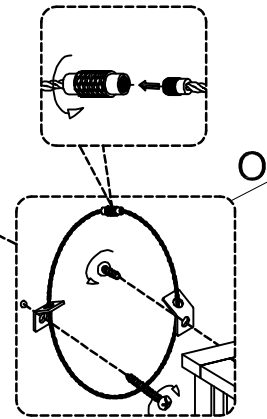
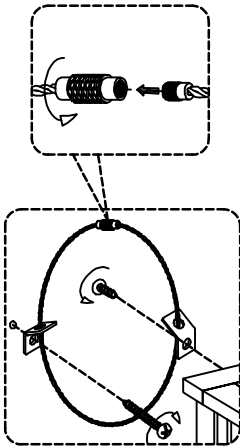


STEP: 17



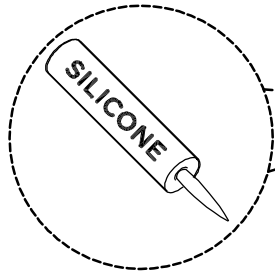
STEP: 18

Wall

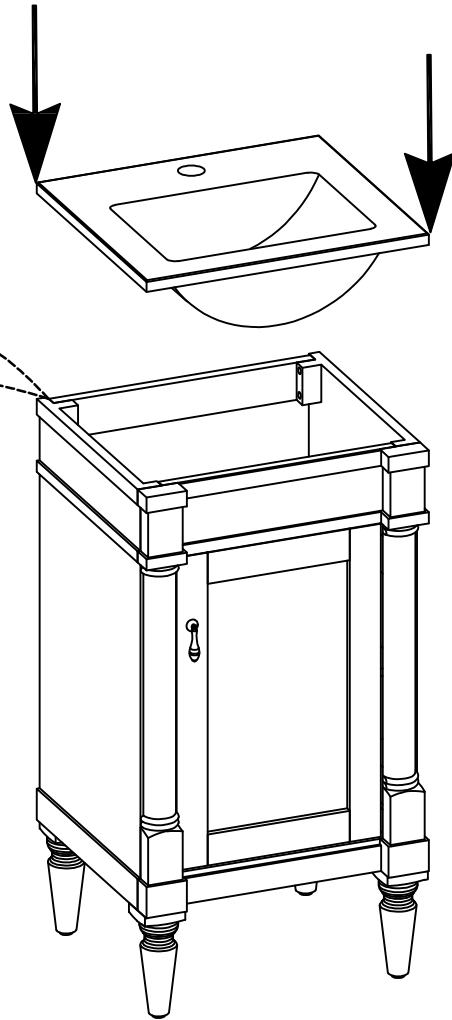


2SETS

STEP: 19

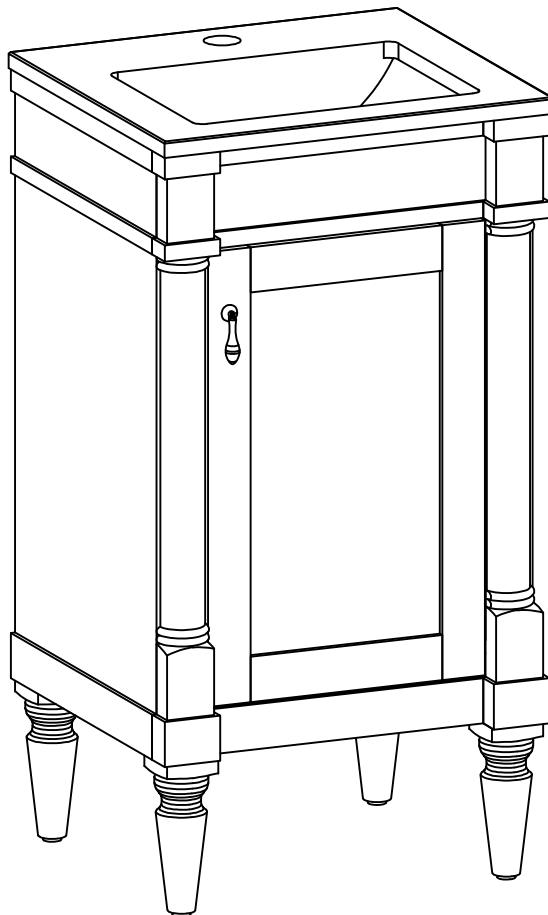


*Silicone glue is not included in the package to comply with safety regulations in certain shipping conditions.

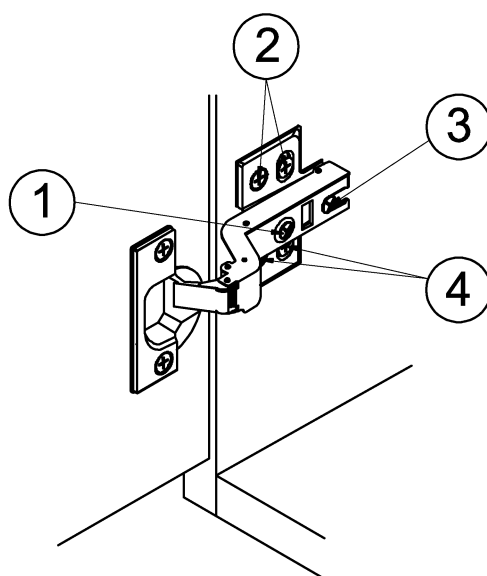


Install the sink on the cabinet with glue. Let stand for 24 hours

STEP: 20

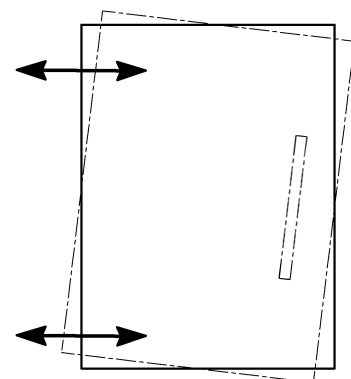


HINGE ADJUSTMENTS



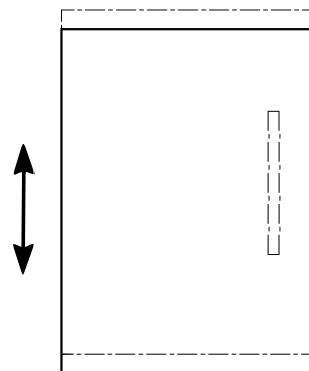
① Sideways / Tilt adjustment

Turn the screw
clockwise to move the door further away from the side of the cabinet
anticlockwise to move the door closer to the side of the cabinet



② ④ Height adjustment

While supporting the weight of the door, turn the screws
clockwise to move the door up
anticlockwise to move the door down



③ Forward and back adjustment

If the gap between the back of the door and the cabinet is too small, and the door may not close fully. Turn the screw
clockwise to decrease the gap between the door and the cabinet
anticlockwise to increase the gap between the door and the cabinet

