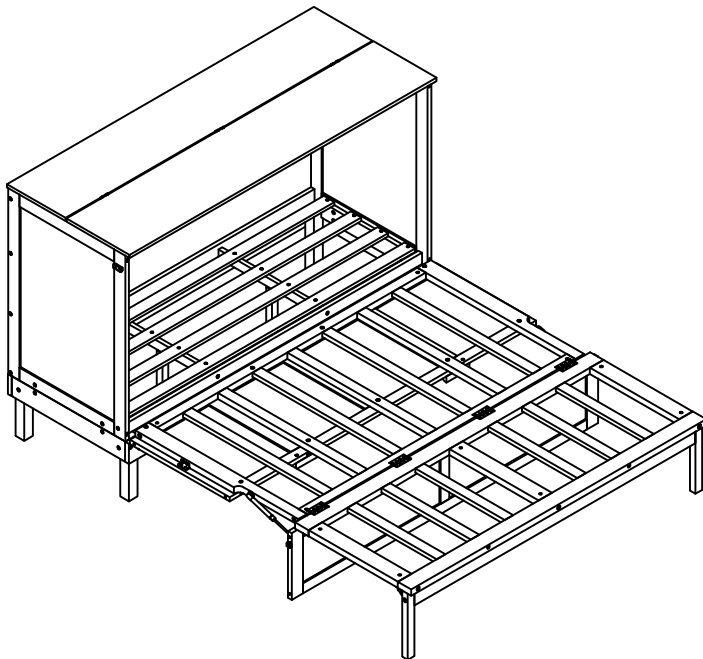


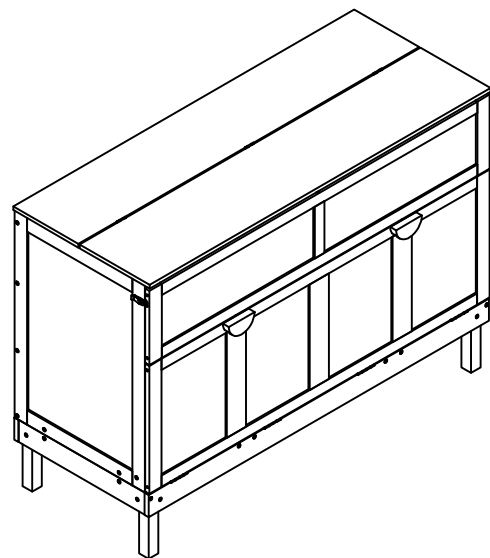
ASSEMBLY INSTRUCTIONS

QUEEN SIZE MURPHY BED

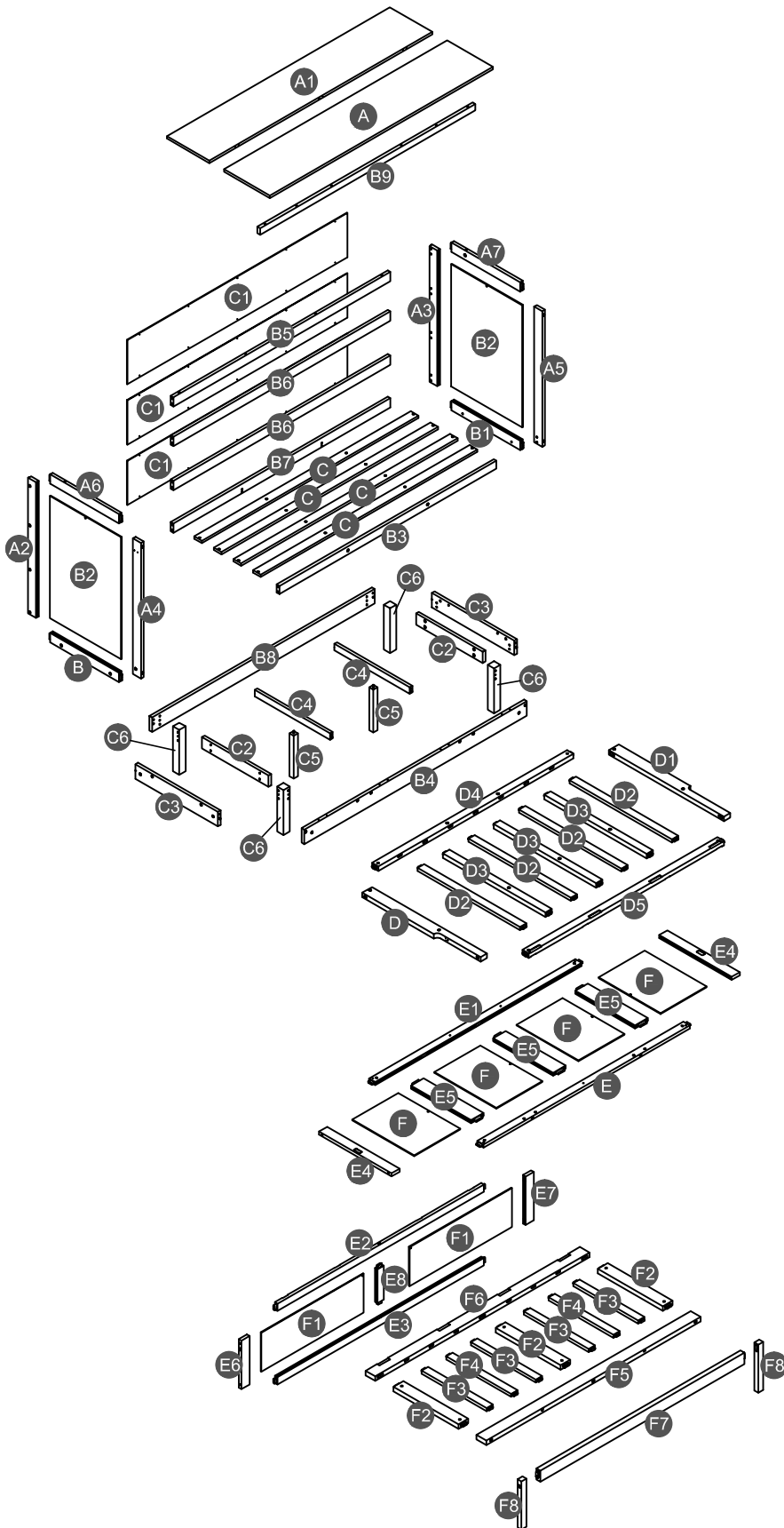
TYPE 1







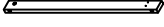
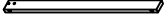






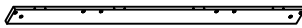
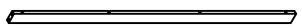





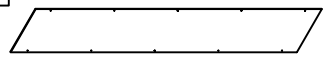

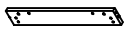

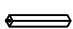
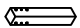
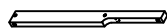
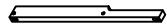
TYPE 2

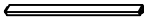


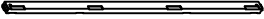





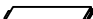
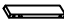



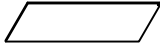
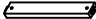




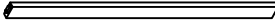



Detail View

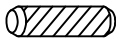
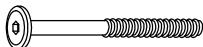
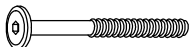
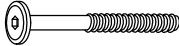








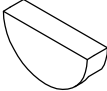

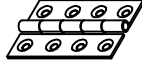

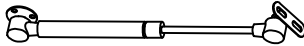
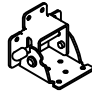

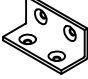



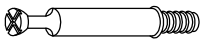


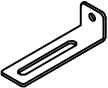
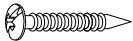
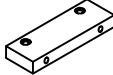

Part list

<p>A</p>  <p>Top panel HB (front) -1pc Panneau supérieur HB (avant)</p>	<p>A1</p>  <p>Top panel HB (back) -1pc Panneau supérieur HB (arrière)</p>	<p>A2</p>  <p>Vertical bar HB (left back) -1pc Vertical bar HB (arrière gauche)</p>
<p>A3</p>  <p>Vertical bar HB (right back) -1pc Vertical bar HB (arrière droit)</p>	<p>A4</p>  <p>Vertical bar HB (left front) -1pc Vertical bar HB (avant gauche)</p>	<p>A5</p>  <p>Vertical bar HB (right front) -1pc Vertical bar HB (avant droit)</p>
<p>A6</p>  <p>Upper horizontal bar HB (left)- 1pc Barre horizontale supérieur HB (gauche)</p>	<p>A7</p>  <p>Upper horizontal bar HB(right)-1pc Barre horizontale supérieur HB (droit)</p>	<p>B</p>  <p>Lower horizontal bar HB (left)- 1pc Barre horizontale inférieure HB (gauche)</p>
<p>B1</p>  <p>Lower horizontal bar HB(right)-1pc Barre horizontale inférieure HB (droit)</p>	<p>B2</p>  <p>Side panel HB - 2pcs Panneau latéral HB</p>	<p>B3</p>  <p>Upper horizontal bar HB(front)-1pc Barre horizontale supérieur HB (avant)</p>
<p>B4</p>  <p>Lower horizontal bar HB(front)-1pc Barre horizontale inférieure HB (avant)</p>	<p>B5</p>  <p>Upper horizontal bar HB (back) -1pc Barre horizontale supérieur HB (arrière)</p>	<p>B6</p>  <p>Divider horizontal bar HB(back)-2pcs Barre de séparation horizontale HB (arrière)</p>
<p>B7</p>  <p>Lower horizontal bar HB (back) -1pc Barre horizontale inférieure HB (arrière)</p>	<p>B8</p>  <p>Lower horizontal bar HB (back) -1pc Barre horizontale inférieure HB (arrière)</p>	<p>B9</p>  <p>Upper support bar HB - 1pc Barre de support supérieure HB (avant)</p>
<p>C</p>  <p>Slat - 4pcs Latte</p>	<p>C1</p>  <p>Back panel HB - 3pcs Panneau arrière HB</p>	<p>C2</p>  <p>Support bar HB - 2pcs Barre de support HB</p>
<p>C3</p>  <p>Apron (left/right) - 2pcs Tablier (gauche/droite)</p>	<p>C4</p>  <p>Lower support slat - 2pcs Latte de support inférieure</p>	<p>C5</p>  <p>Leg support - 2pcs Support pour les jambes</p>
<p>C6</p>  <p>Leg HB - 4pcs Pied HB</p>	<p>D</p>  <p>Horizontal bar (left)- 1pc Barre horizontale (gauche)</p>	<p>D1</p>  <p>Horizontal bar (right)-1pc Barre horizontale (droit)</p>

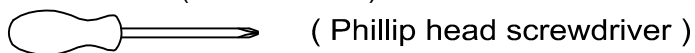
<p>D2</p>  <p>Support bar - 4pcs Barre de support</p>	<p>D3</p>  <p>Support bar - 3pcs Barre de support</p>	<p>D4</p>  <p>Horizontal bar (back) - 1pc Barre horizontale (arrière)</p>
<p>D5</p>  <p>Horizontal bar (front) - 1pc Barre horizontale (avant)</p>	<p>E</p>  <p>Horizontal bar (front) - 1pc Barre horizontale (avant)</p>	<p>E1</p>  <p>Horizontal bar (back) - 1pc Barre horizontale (arrière)</p>
<p>E2</p>  <p>Upper horizontal bar - 1pc Barre horizontale supérieur</p>	<p>E3</p>  <p>Lower horizontal bar - 1pc Barre horizontale inférieure</p>	<p>E4</p>  <p>Horizontal bar (left/right)- 2pcs Barre horizontale (gauche/droite)</p>
<p>E5</p>  <p>Divider horizontal bar - 3pcs Barre de séparation horizontale</p>	<p>E6</p>  <p>Vertical bar (left) -1pc Vertical bar (gauche)</p>	<p>E7</p>  <p>Vertical bar (right) -1pc Vertical bar (droite)</p>
<p>E8</p>  <p>Divider vertical bar -1pc Barre de séparation verticale</p>	<p>F</p>  <p>Side panel - 4pcs Panneau latéral</p>	<p>F1</p>  <p>Side panel - 2pcs Panneau latéral</p>
<p>F2</p>  <p>Horizontal bar (left/right)- 3pcs Barre horizontale (gauche/droite)</p>	<p>F3</p>  <p>Support bar - 4pcs Barre de support</p>	<p>F4</p>  <p>Support bar - 2pcs Barre de support</p>
<p>F5</p>  <p>Horizontal bar (front) - 1pc Barre horizontale (avant)</p>	<p>F6</p>  <p>Horizontal bar (back) - 1pc Barre horizontale (arrière)</p>	<p>F7</p>  <p>Horizontal bar FB - 1pc Barre horizontale FB</p>
<p>F8</p>  <p>Leg FB - 2pcs Pied FB</p>		

Hardware List

<p>1</p>  <p>Ø8*30mm Wood dowel (26pcs) Cheville en bois</p>	<p>2</p>  <p>(Ø15)1/4"*100mm Hex-Head bolts (20pcs) Boulons à tête hexagonale</p>	<p>3</p>  <p>(Ø15)1/4"*80mm Hex-Head bolts (4pcs) Boulons à tête hexagonale</p>
<p>4</p>  <p>(Ø12)1/4"*60mm Hex-Head bolts (10pcs) Boulons à tête hexagonale</p>	<p>5</p>  <p>(Ø12)1/4"*35mm Hex-Head bolts (8pcs) Boulons à tête hexagonale</p>	<p>6</p>  <p>(Ø12)1/4"*65mm Hex-Head bolts (24pcs) Boulons à tête hexagonale</p>
<p>7</p>  <p>(Ø12)1/4"*40mm Hex-Head bolts (29pcs) Boulons à tête hexagonale</p>	<p>8</p>  <p>1/4"*15 (9.5mm) Horizontal-Hole bolts(34pcs) Boulons à trou horizontal</p>	<p>9</p>  <p>Ø4*30mm Wood screws (16pcs) Vis</p>
<p>10</p>  <p>Ø3.5*19mm Wood screws (95pcs) Vis</p>	<p>11</p>  <p>Ø3.5*15mm Wood screws (54pcs) Vis</p>	<p>12</p>  <p>Ø3.5*15mm Wood screws (34pcs) Vis</p>
<p>13</p>  <p>120*60*28mm Wood handle (2pcs) Manche en bois</p>	<p>14</p>  <p>3/16"*25mm Ph zinc(Knob) (4pcs) Ph zinc (bouton)</p>	<p>15</p>  <p>76*42*2mm Hinger (8pcs) charnière</p>
<p>16</p>  <p>60*28*15mm Metal bracket (2sets) Support métallique</p>	<p>17</p>  <p>282*48*20mm Gas spring (2pcs) ressort à gaz</p>	<p>18</p>  <p>59*55*78mm Metal bracket (1pc) Support métallique</p>
<p>19</p>  <p>70*55*59mm Metal bracket (2pcs) Support métallique</p>	<p>20</p>  <p>40*17*17*1.6mm Metal bracket (2pcs) Support métallique</p>	<p>21</p>  <p>38*20*1.2mm Hinger (7pcs) charnière</p>



<p>22</p>  <p>Ø7"*35mm Cam lock (10pcs) Serrure à came</p>	<p>23</p>  <p>Ø14*9mm Cam lock (10pcs) Serrure à came</p>	<p>24</p>  <p>Ø9*32mm Plastic anchor (2pcs) Ancrage en plastique</p>
<p>25</p>  <p>58*16*16*(1.5mm) Metal bracket (2pcs) Support métallique</p>	<p>26</p>  <p>Ø4*38mm Wood screws (2pcs) Vis</p>	<p>27</p>  <p>L150*50*19mm Support bar (2pcs) Barre de support</p>
<p>28</p>  <p>(1/4")4.5*58mm Allen key (1pc) Clé Allen</p>		

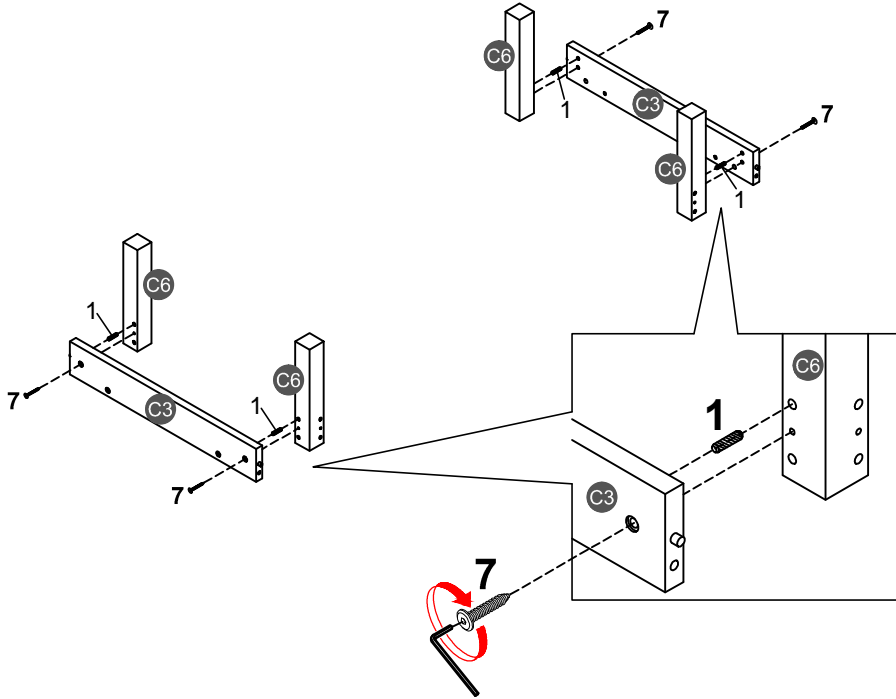
ASSEMBLY TOOLS REQUIRED (NOT INCLUDED)
OUTILS D'ASSEMBLAGE REQUIS (NON INCLUS)







PLEASE BE CAREFUL DO NOT DAMAGE THE HOLE POSITION WHEN YOU USE POWER TOOLS !

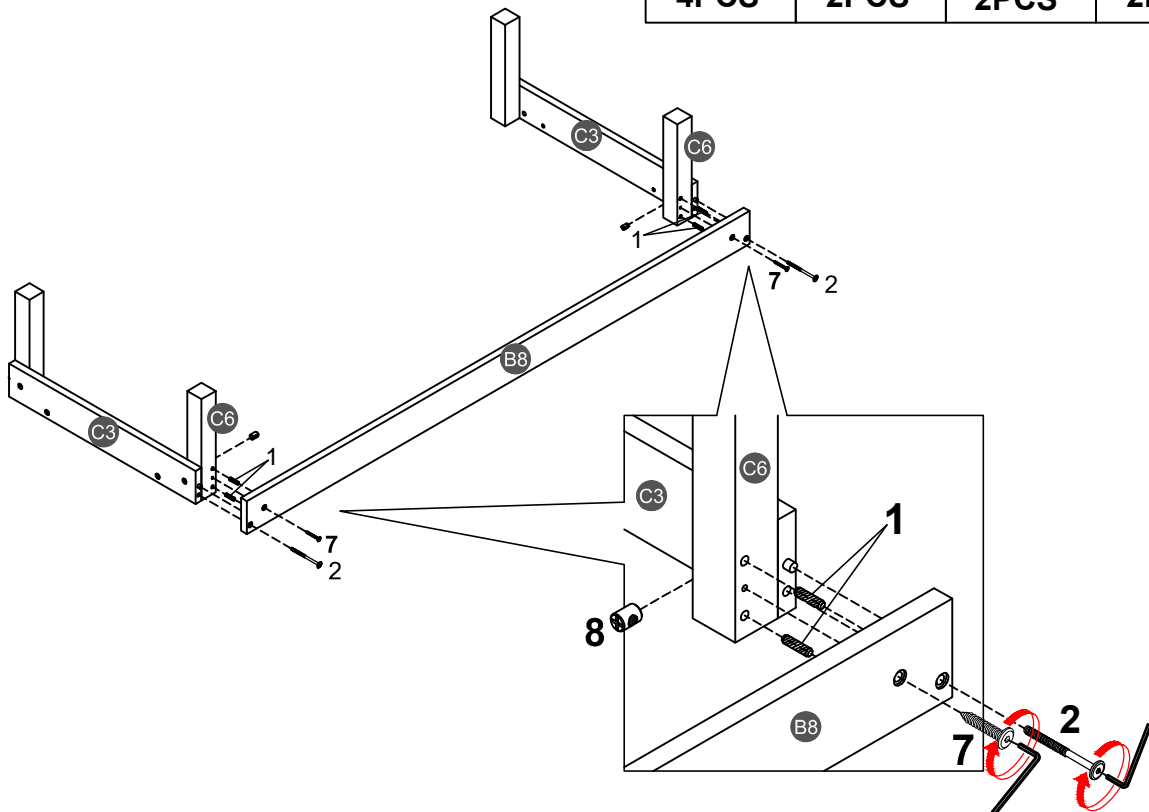
STEP 1:

1		7	
4PCS		4PCS	







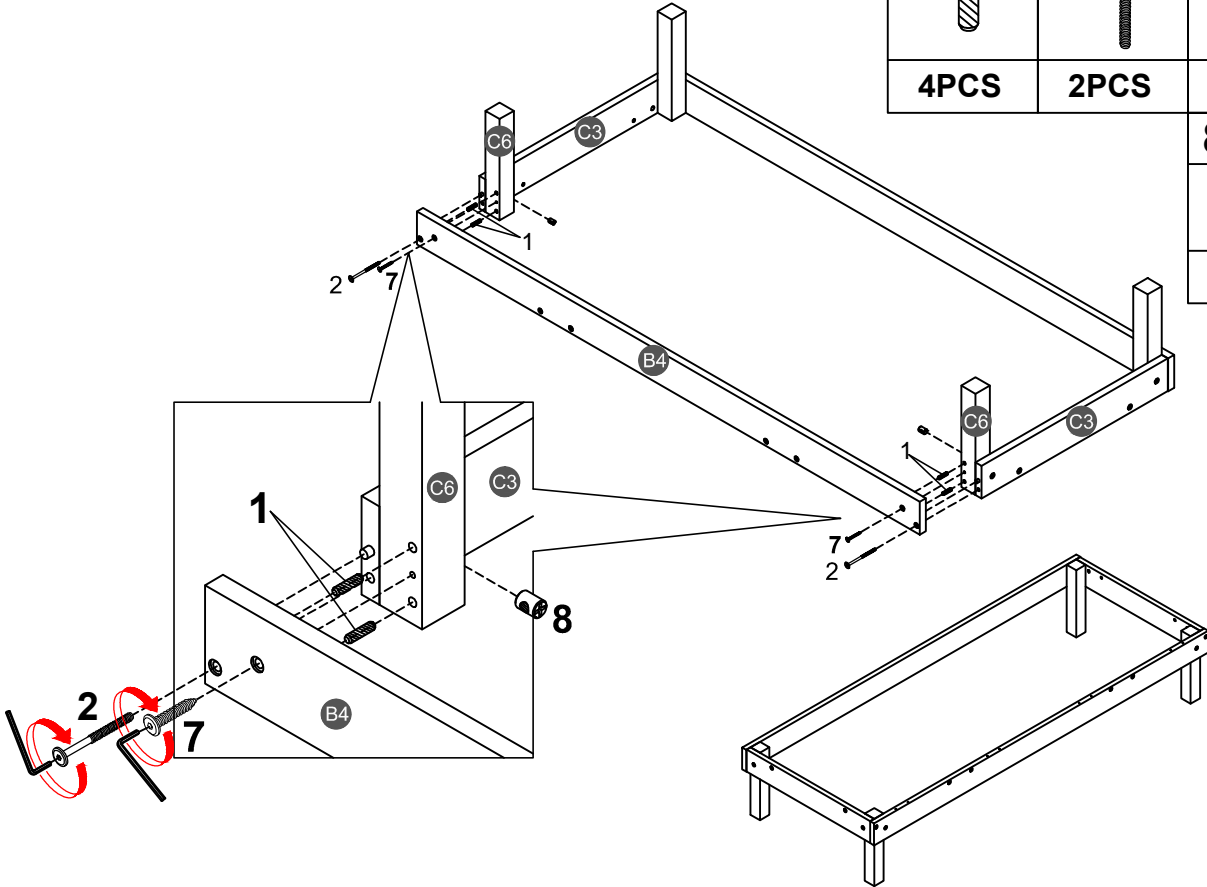
STEP 2:

1		2		7		8	
4PCS		2PCS		2PCS		2PCS	




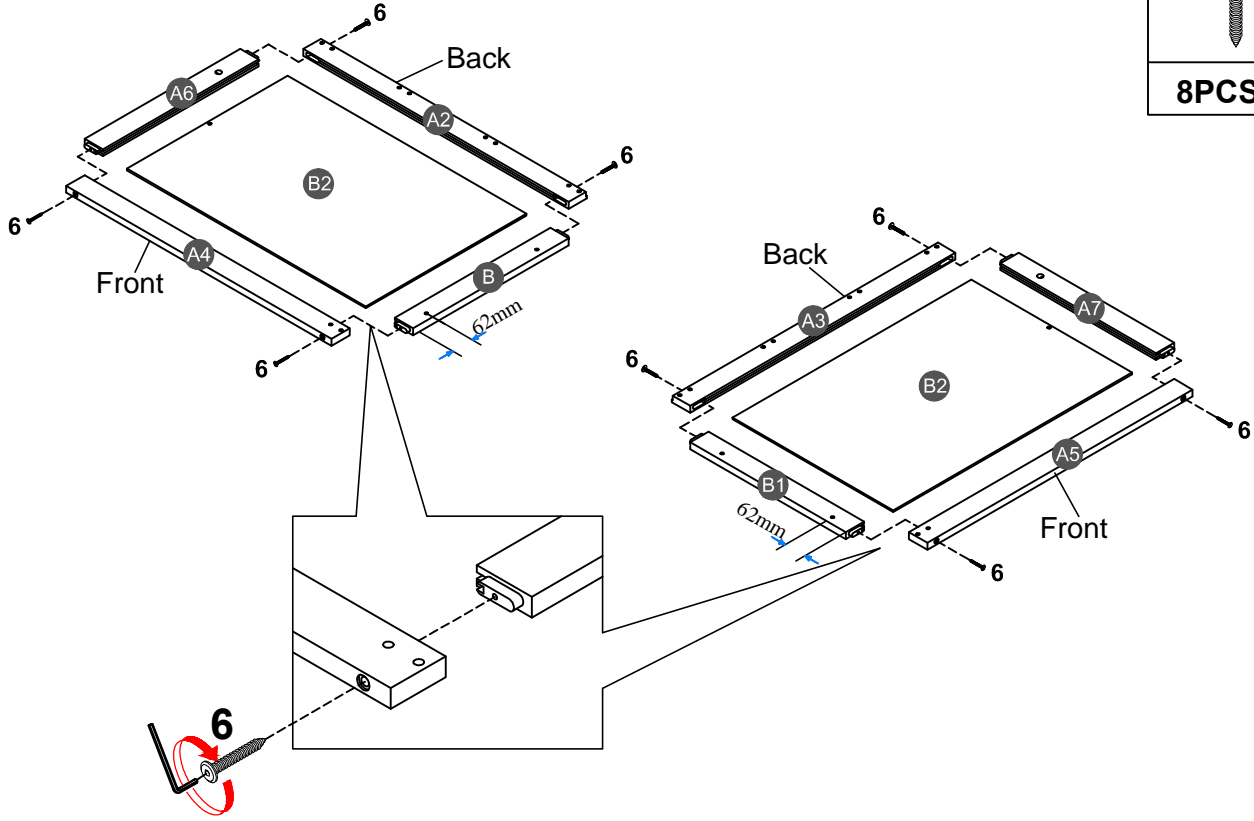
STEP 3:

1		2		7	
4PCS		2PCS		2PCS	
				8	
				2PCS	



STEP 4:

6	
8PCS	

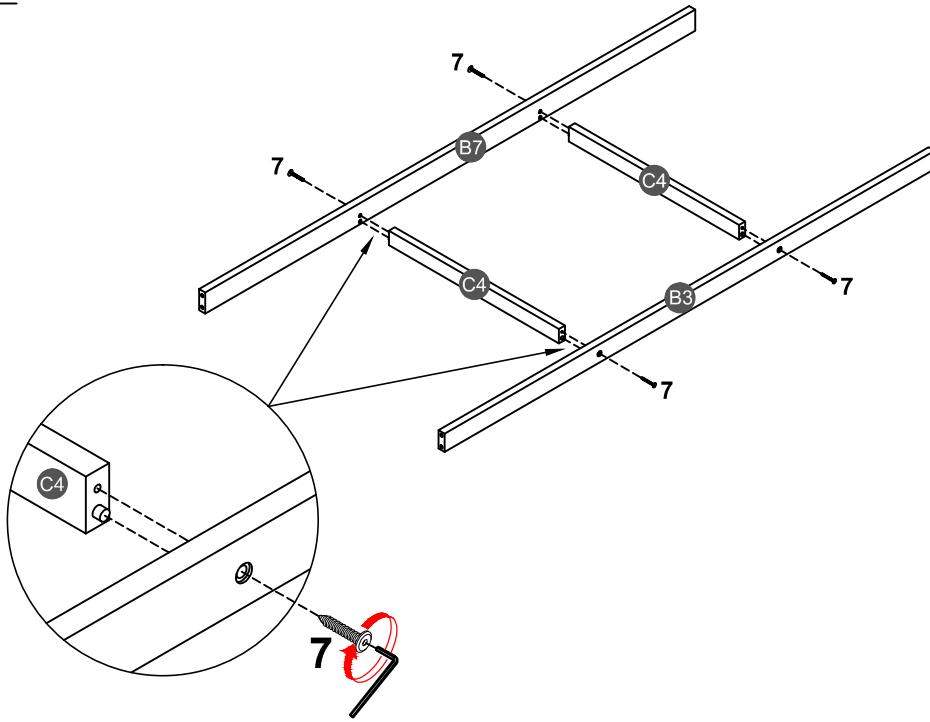


STEP 5:

7



4PCS



STEP 6:

1



10PCS

4

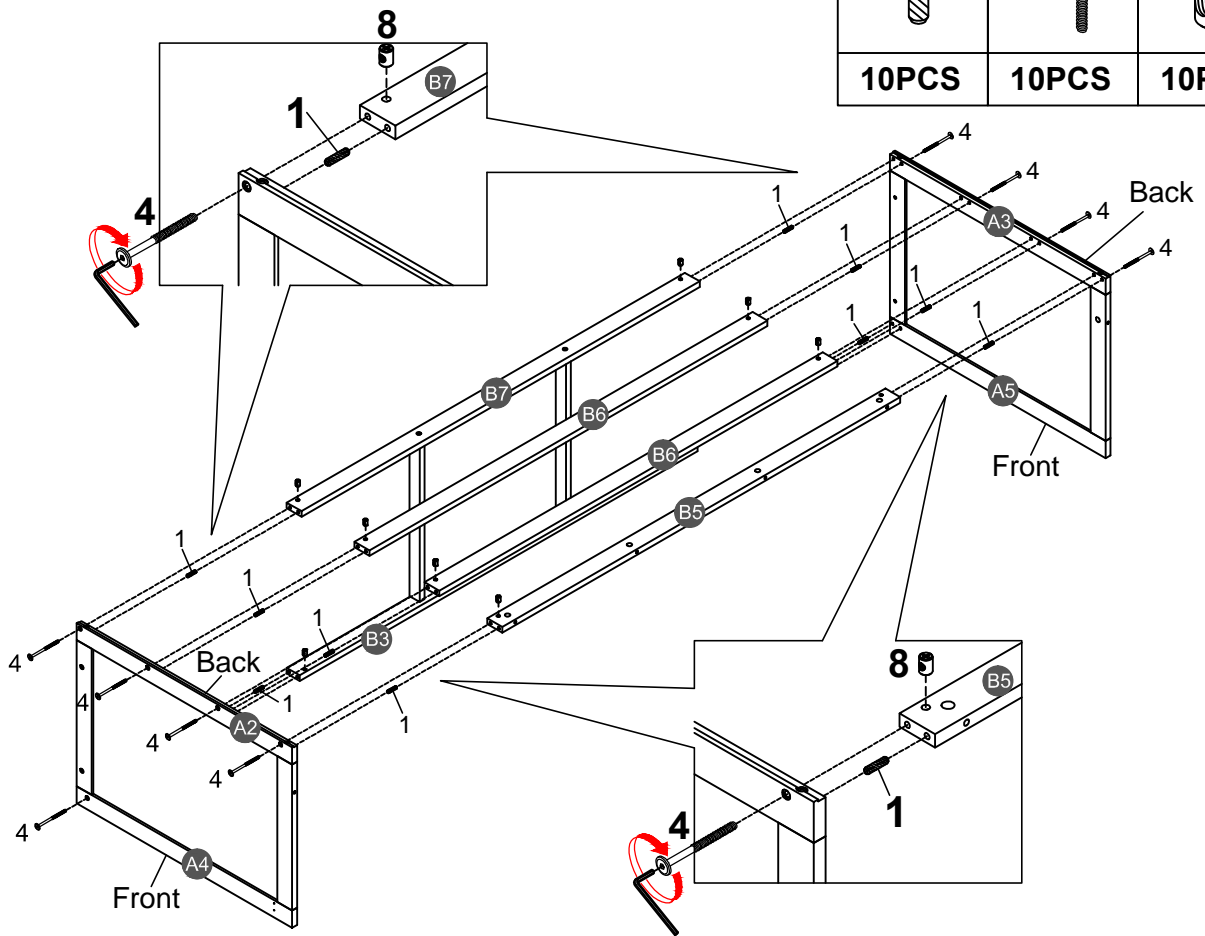


10PCS



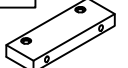
8

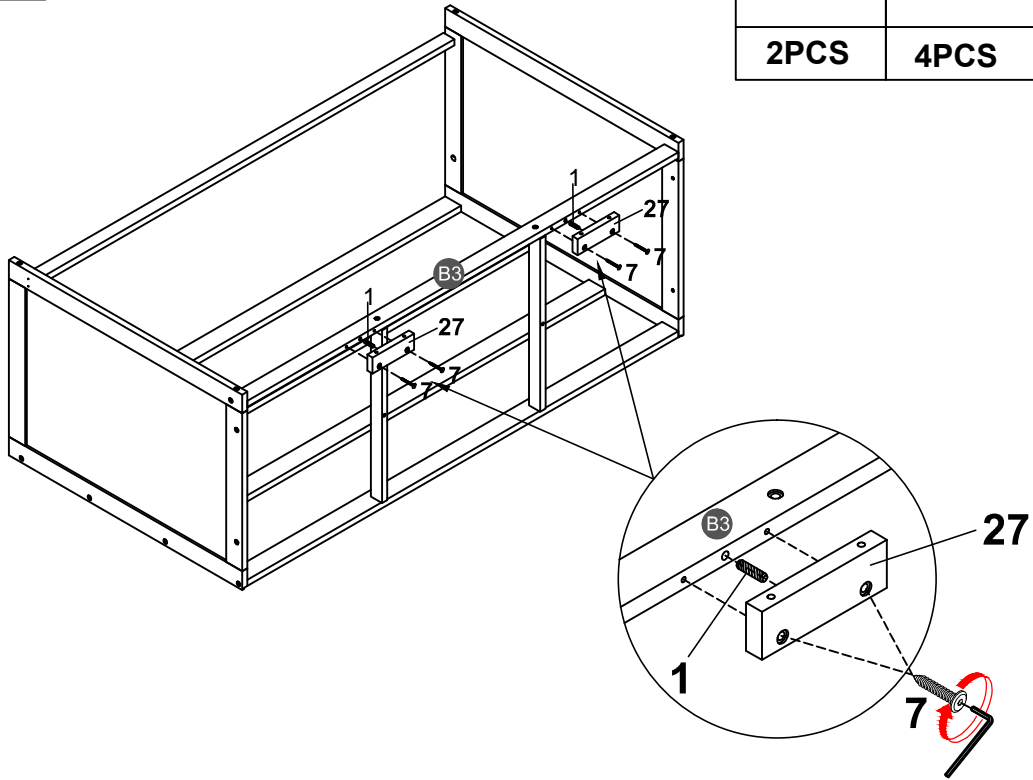


10PCS

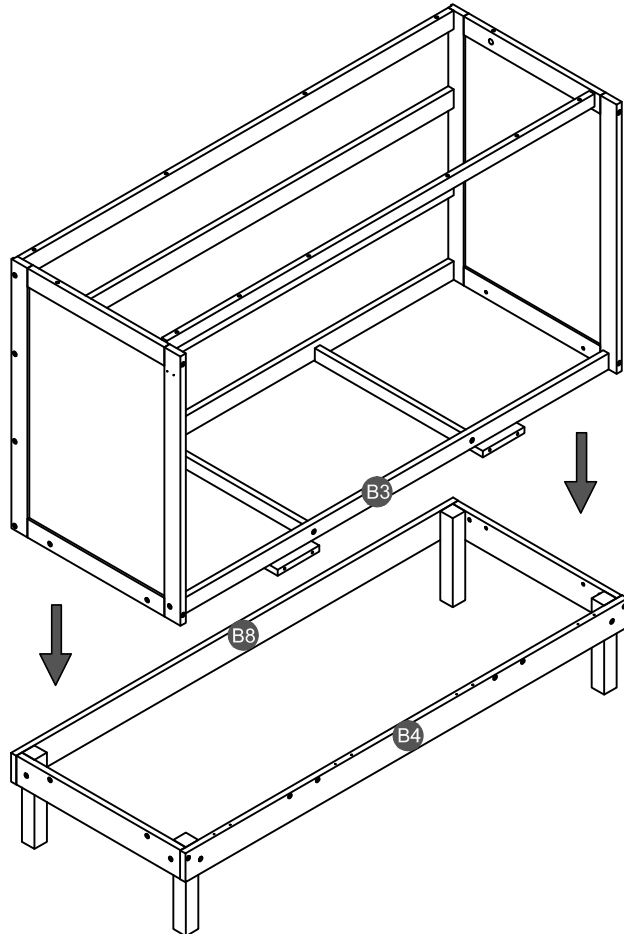


STEP 7:

1		7		27	
2PCS		4PCS		2PCS	



STEP 8:

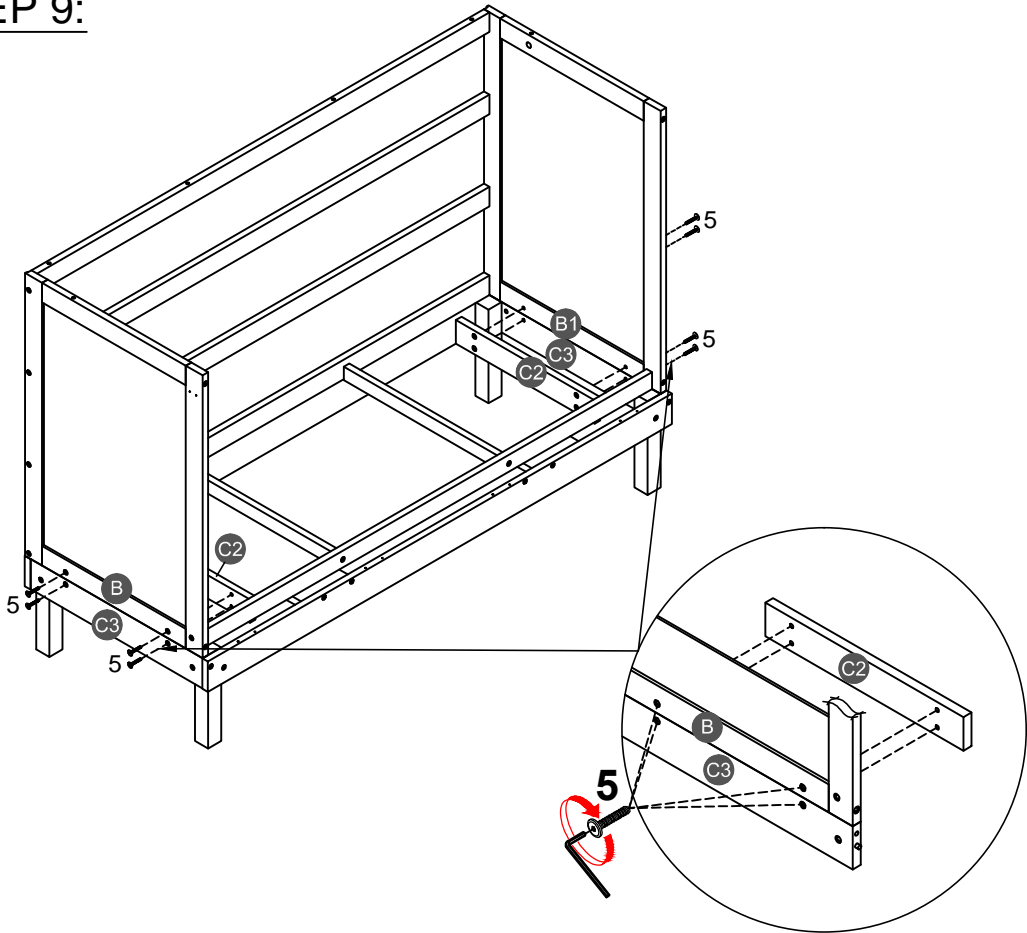


STEP 9:

5



8PCS

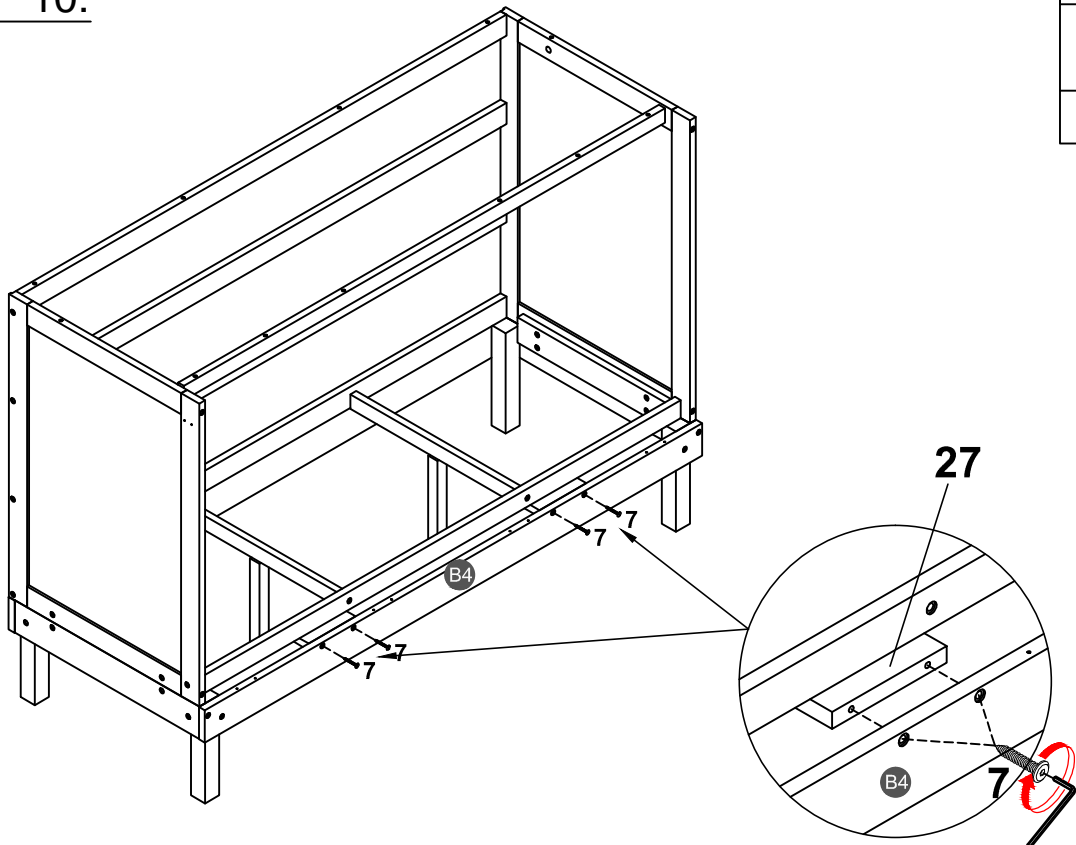


STEP 10:

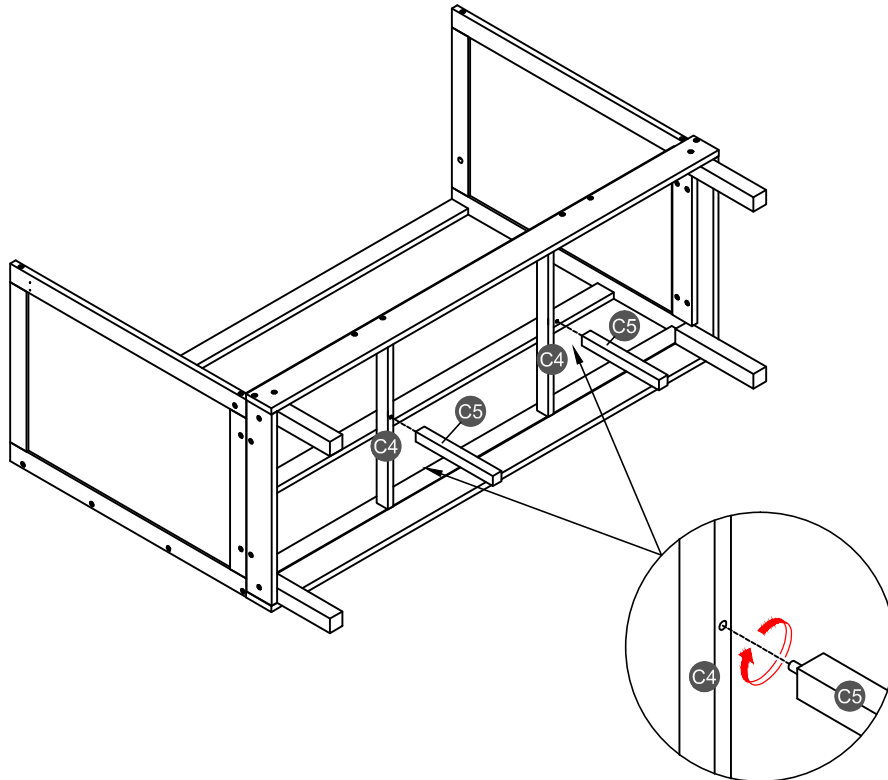
7



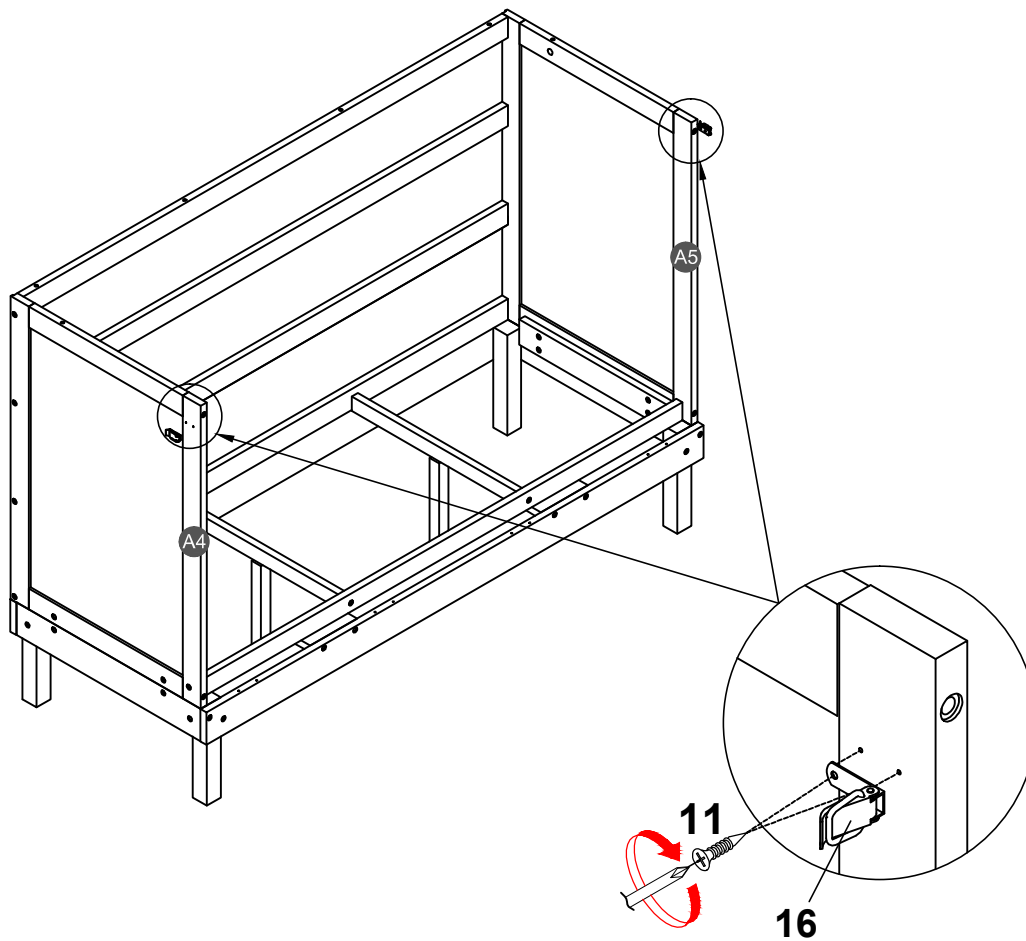
4PCS





STEP 11:



STEP 12:



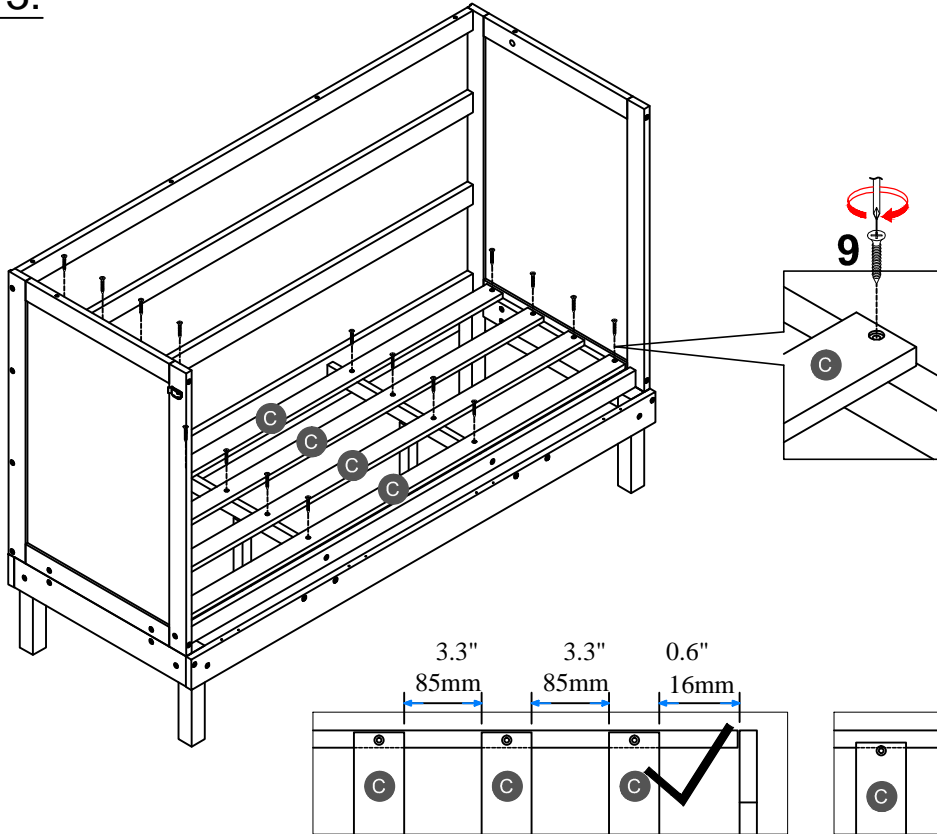
11	
4PCS	
16	
2PCS	

STEP 13:

9



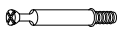
16PCS



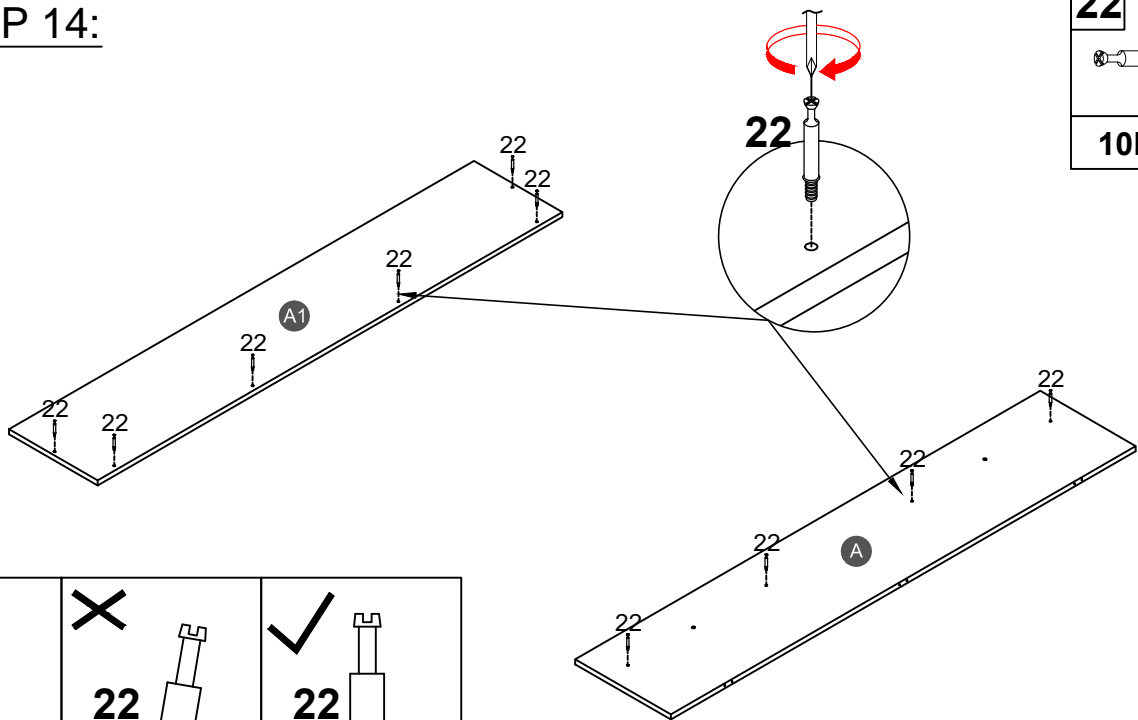
NOTE: Please make sure the bed slats close to the side rail before locking the screws to avoid breakage. This step is required for both the left and right sides. Moreover, please do not lock the screws of the bed slats at the outermost edge to avoid damaging.

STEP 14:



22

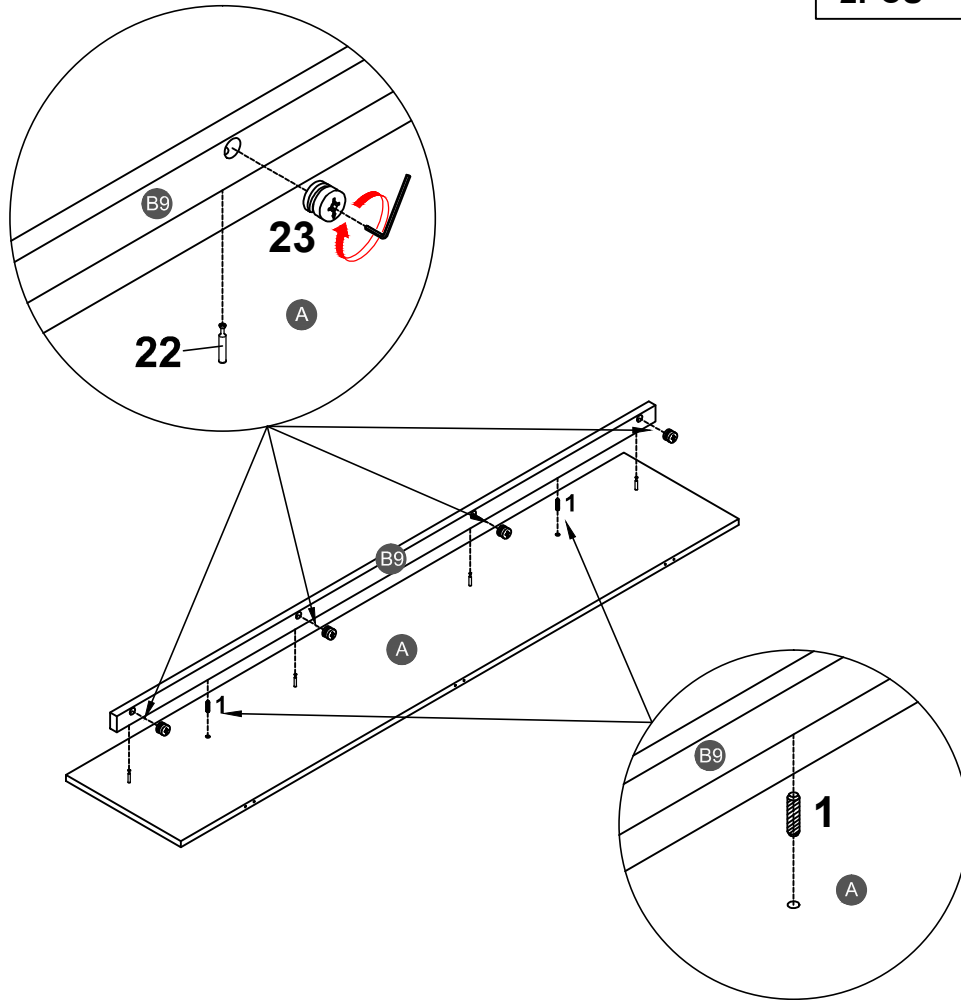


10PCS

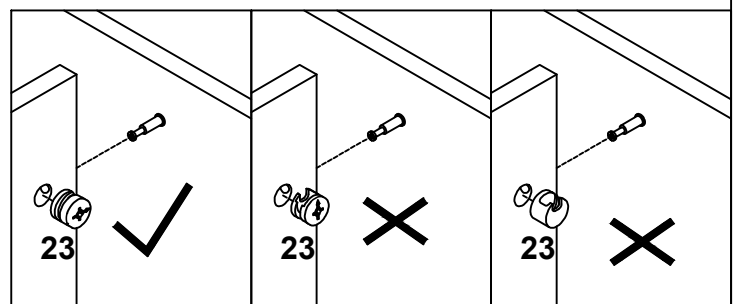


STEP 15:

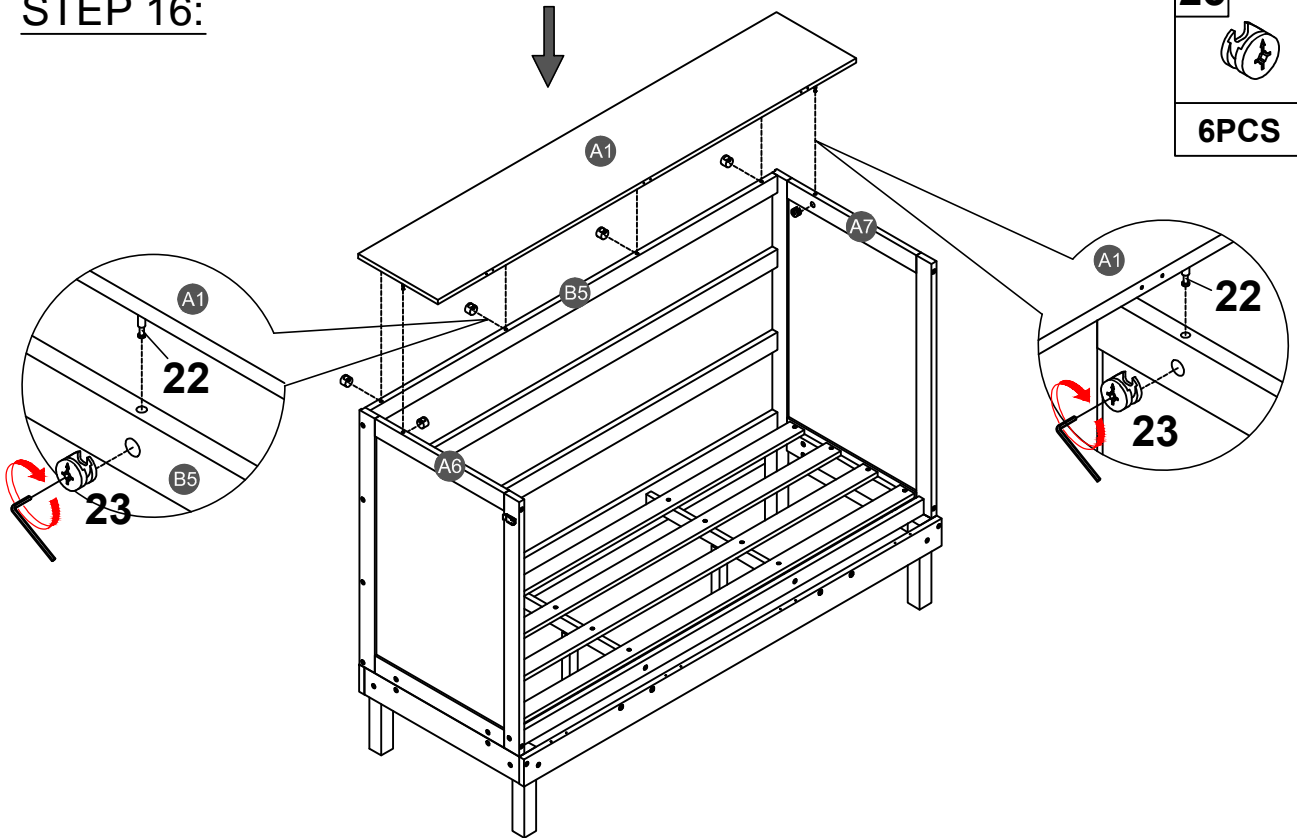
1		23	
2PCS		4PCS	



Note: Place hardware #23 with the "X" face outward, and make sure that the arrowhead is upward. Then, place hardware #23 into the hole of hardware #22 and tighten it clockwise with a hand screwdriver. (Please do NOT use an electric screwdriver.)



STEP 16:

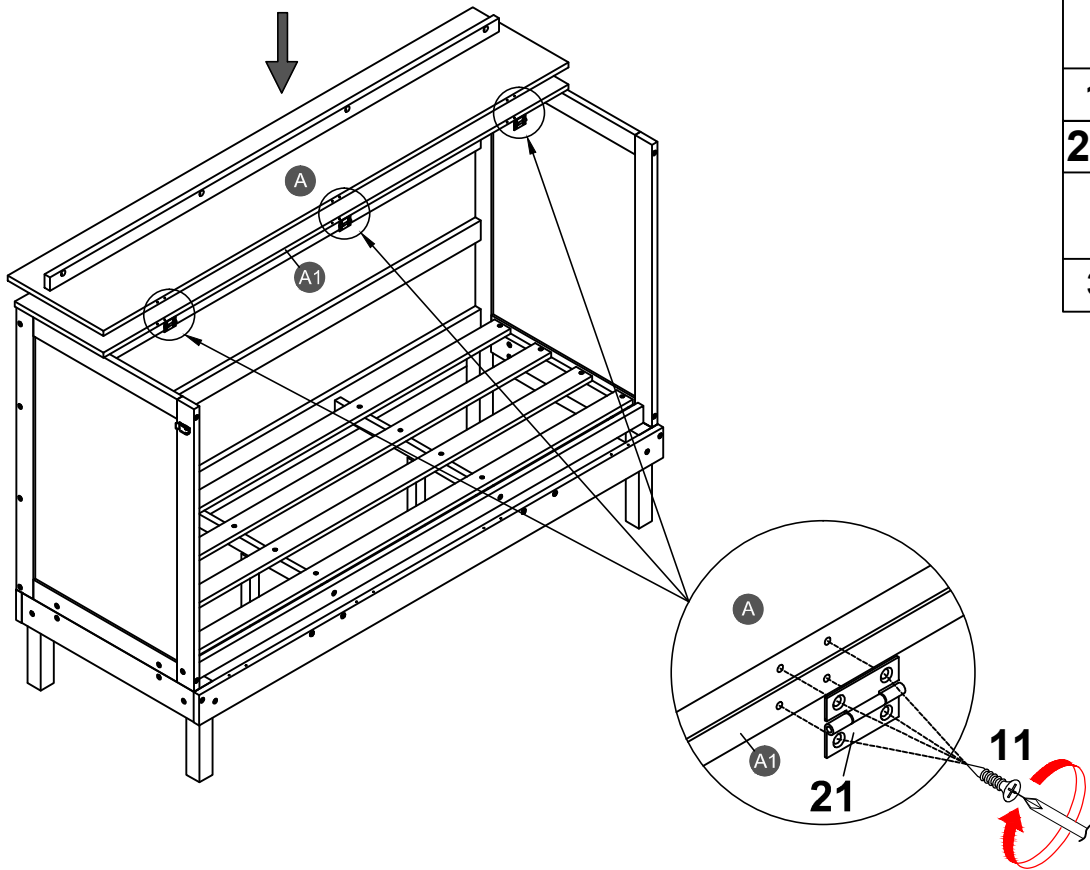


23



6PCS

STEP 17:



11




12PCS

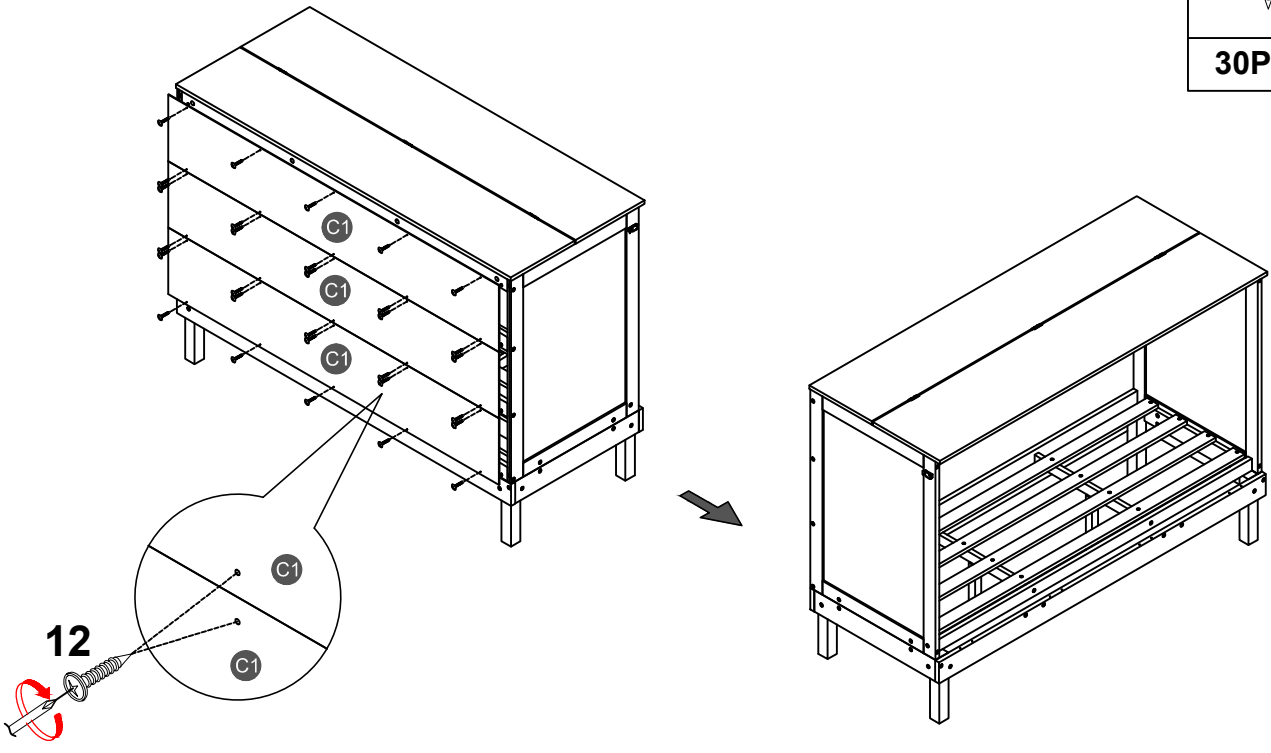
21



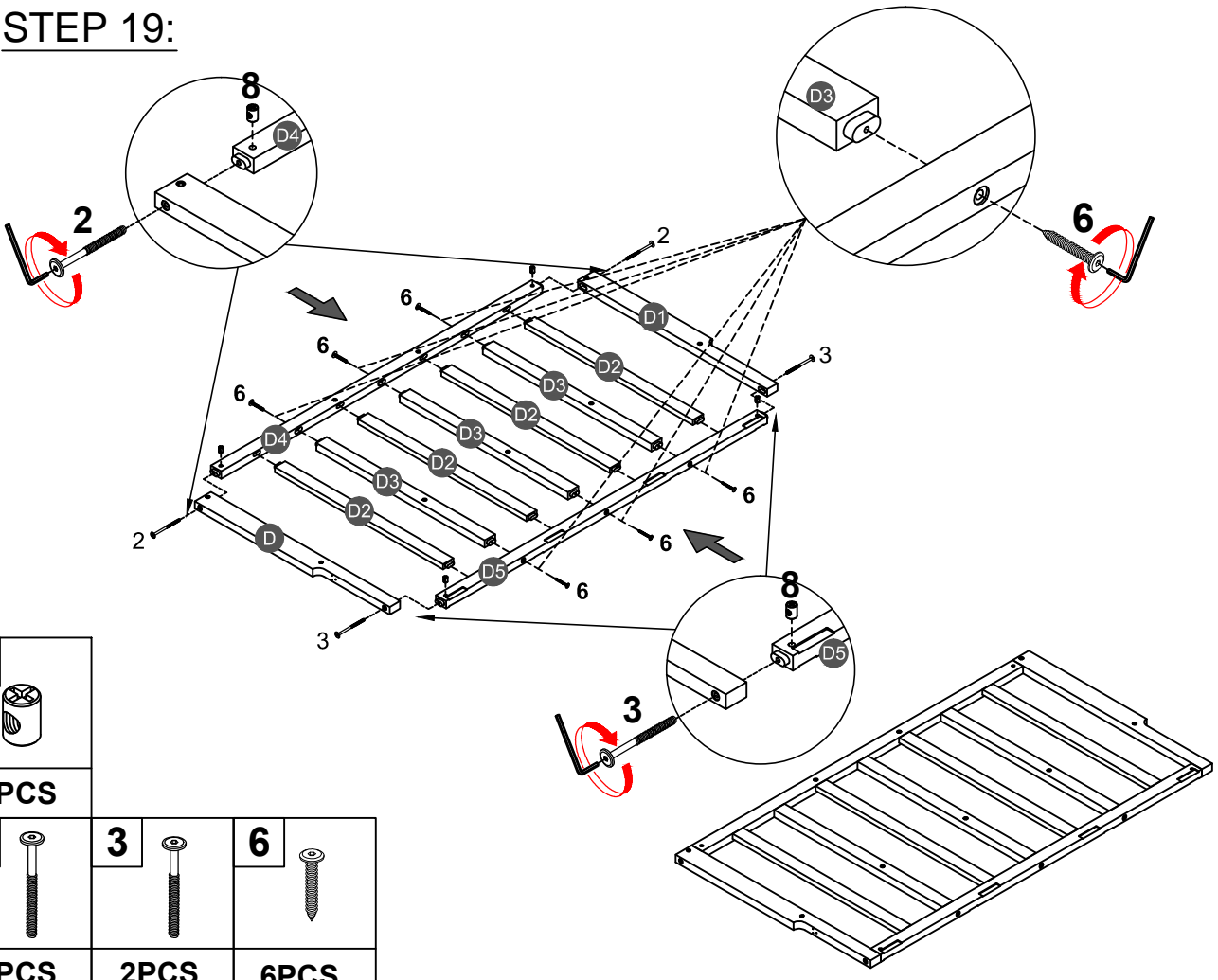
3PCS





STEP 18:

12	
30PCS	

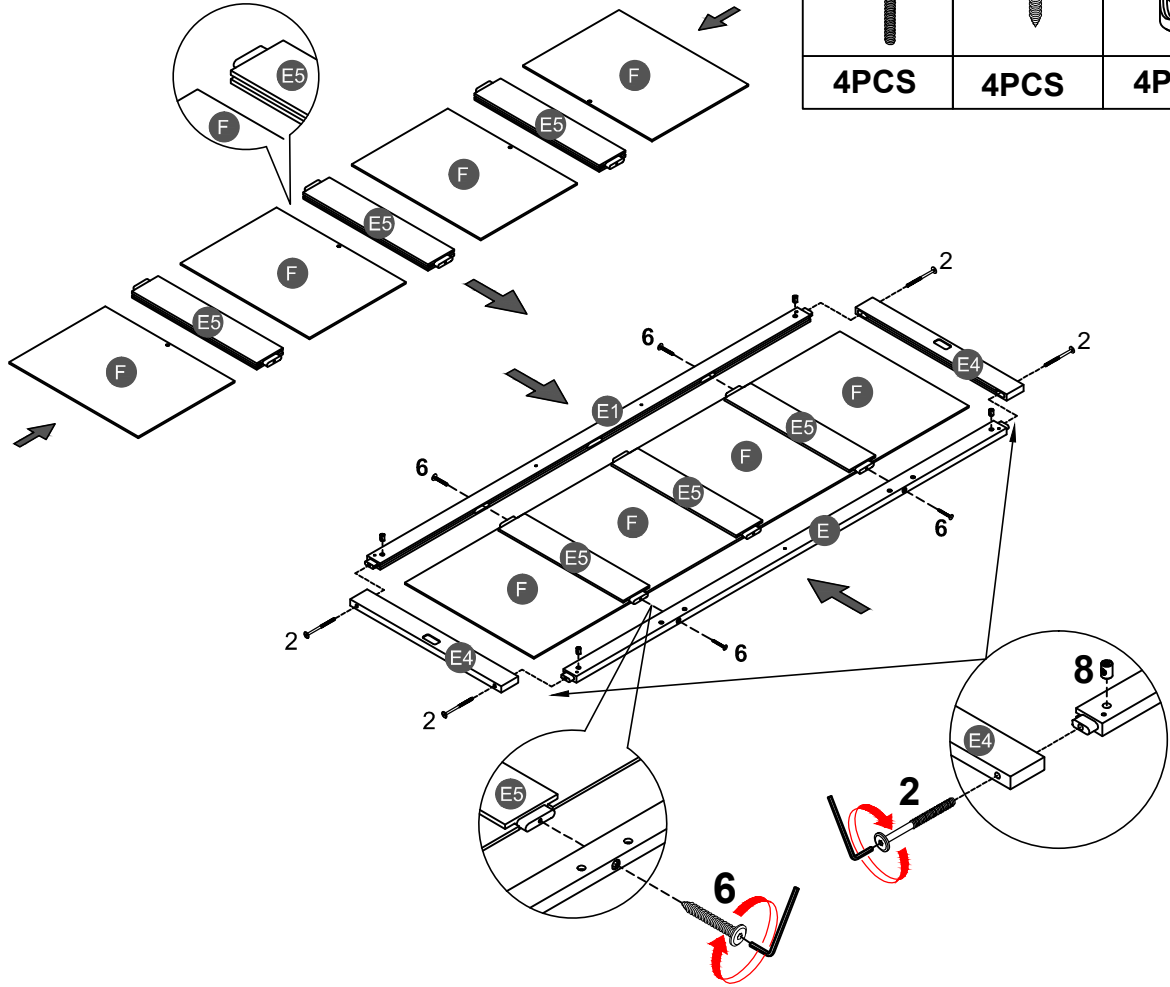


STEP 19:

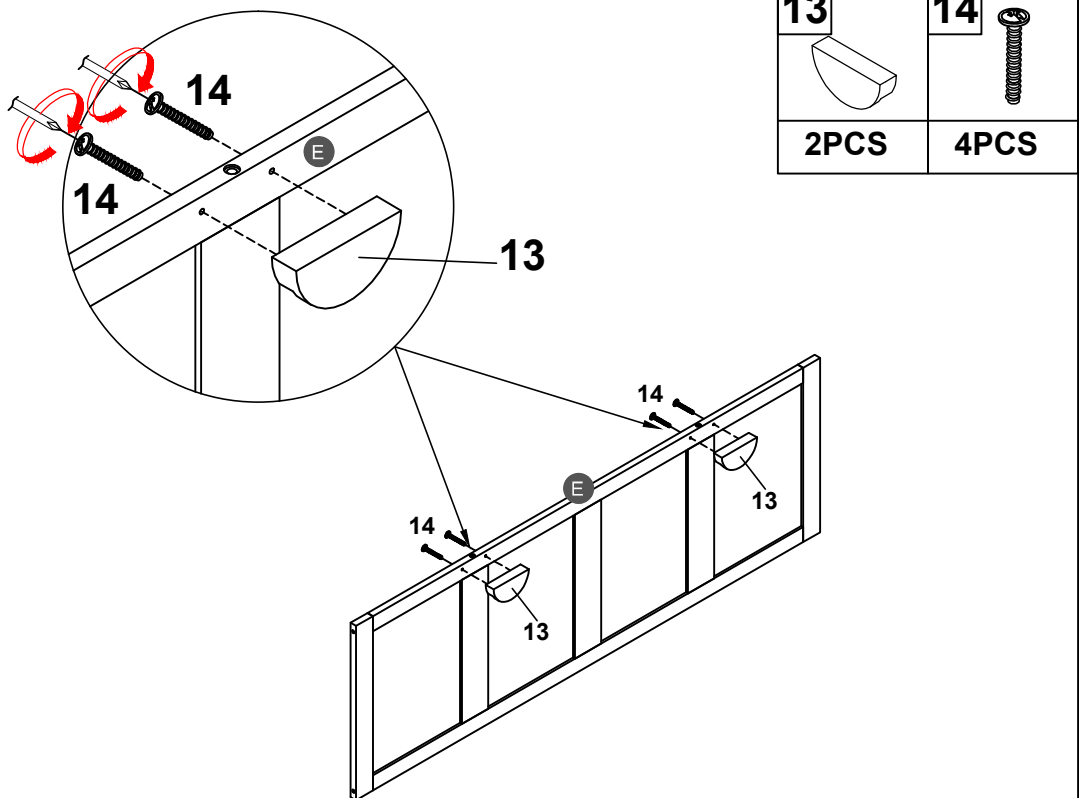


8		
4PCS		
2	3	6
		
2PCS	2PCS	6PCS

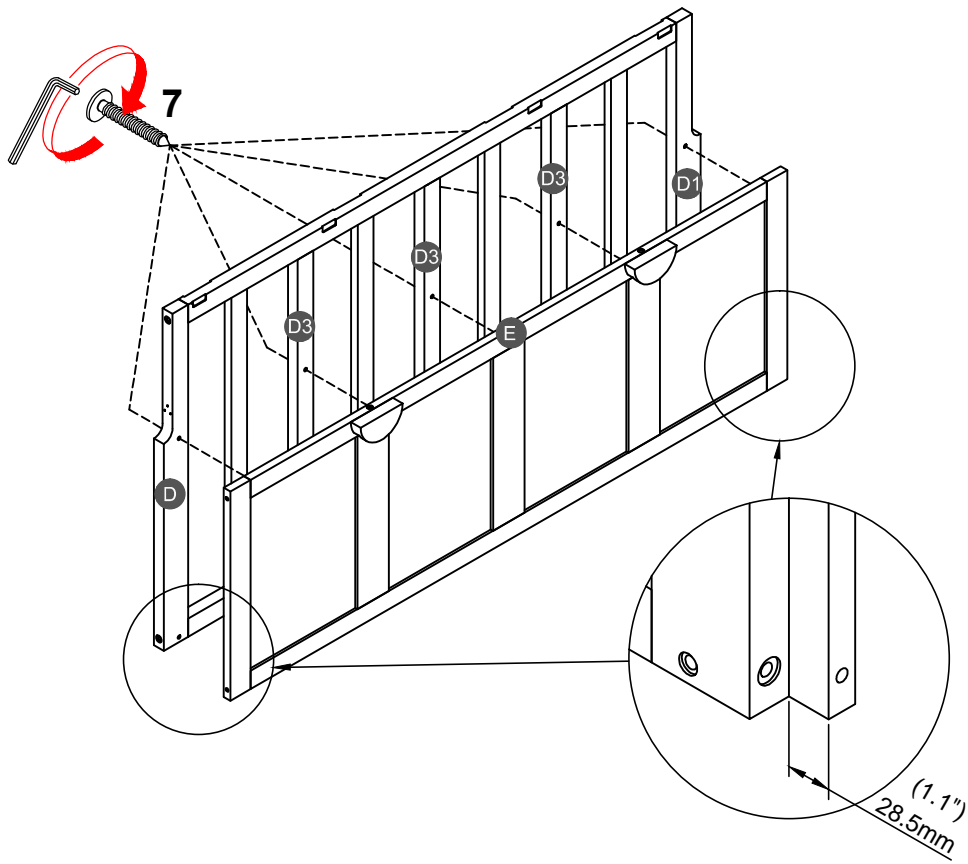
STEP 20:



STEP 21:



STEP 22:

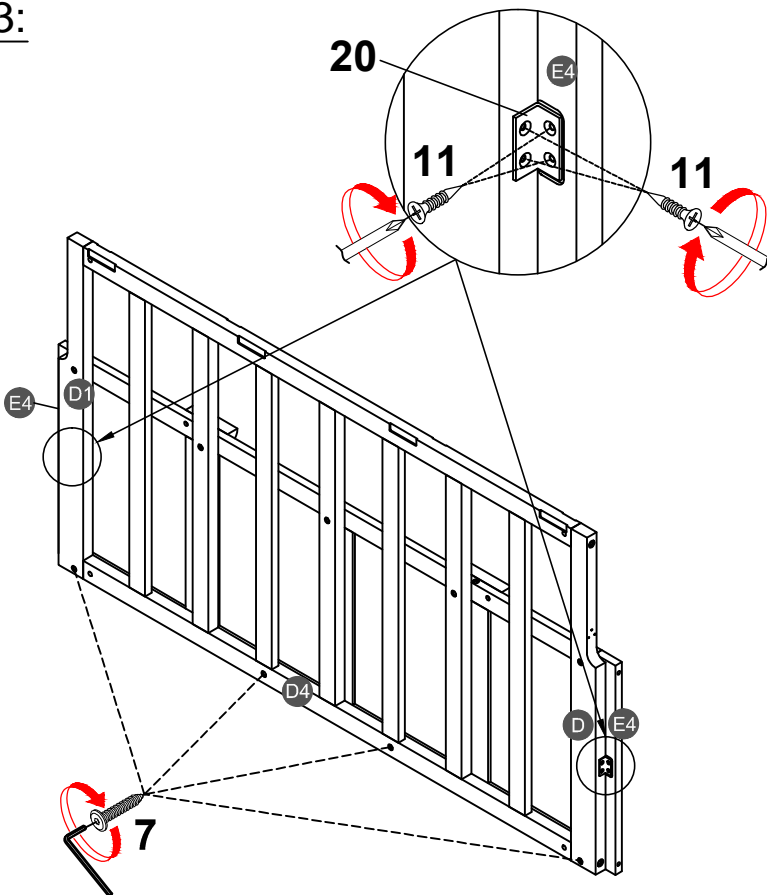


7



5PCS

STEP 23:



7



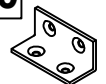
4PCS

11



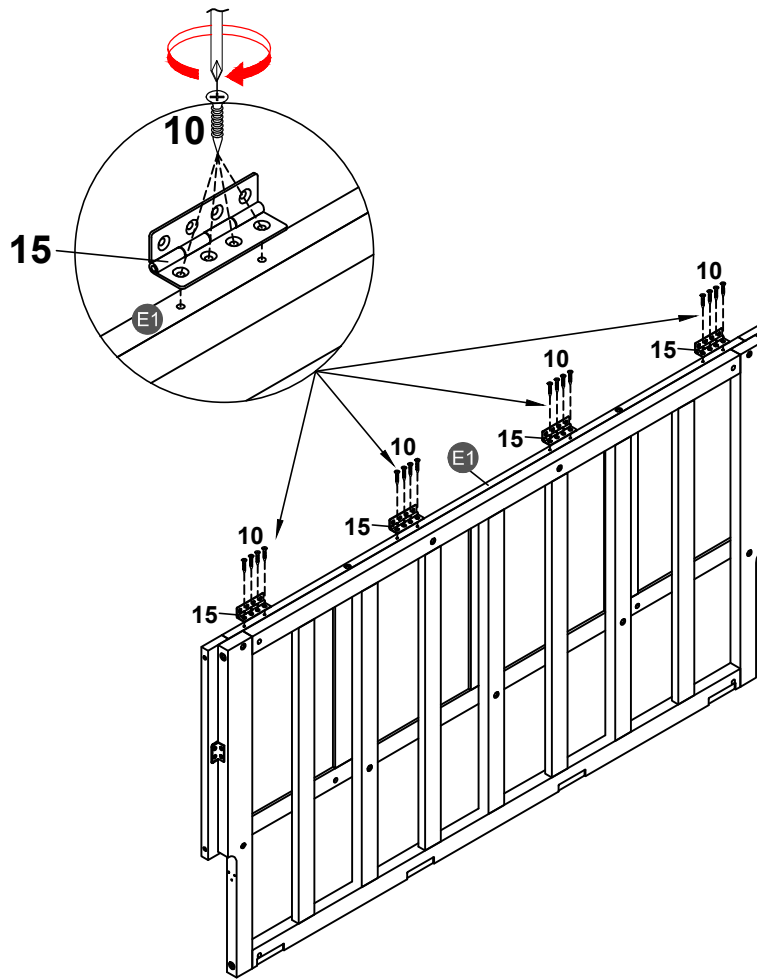
8PCS


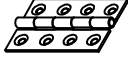
20



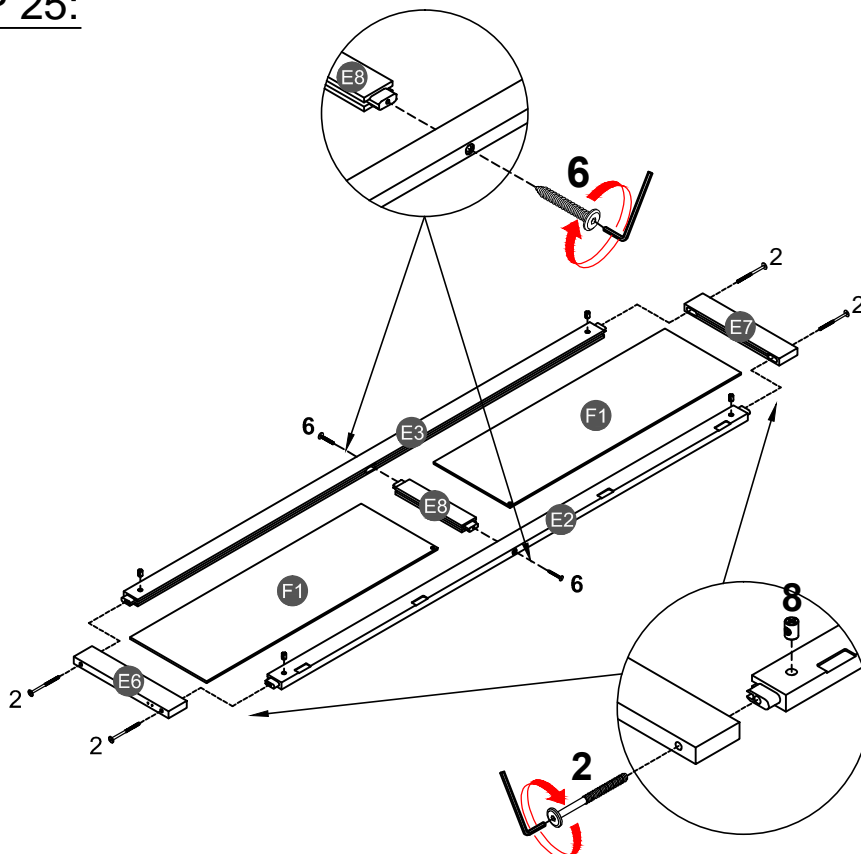
2PCS


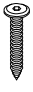

STEP 24:



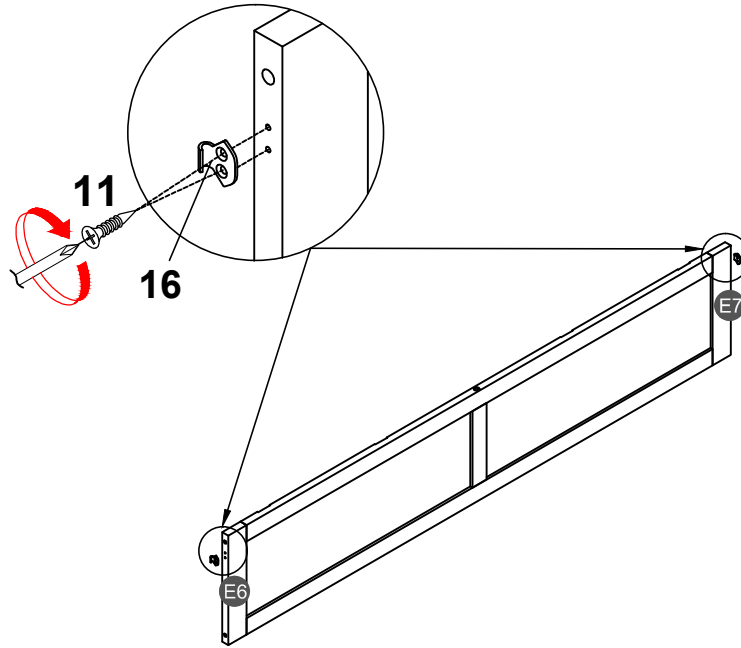
10	
	16PCS
15	
	4PCS



STEP 25:



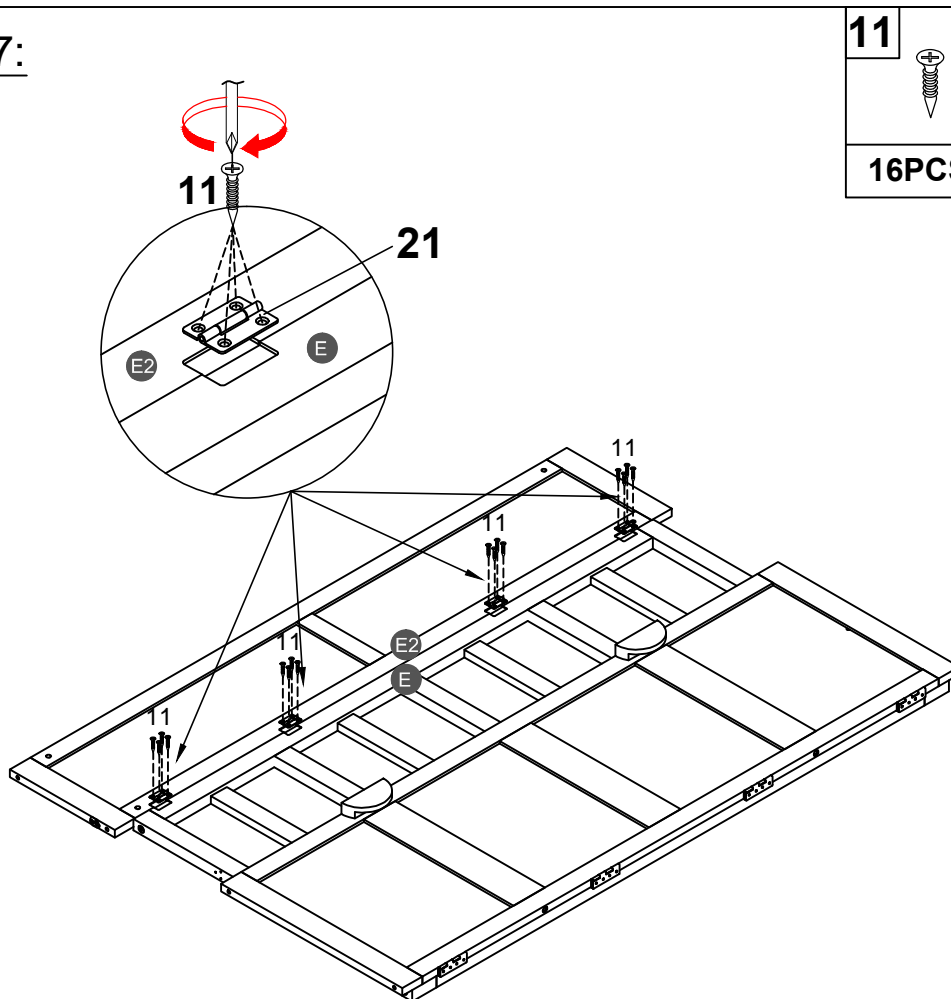
2	
	4PCS
6	
	2PCS
8	
	4PCS



STEP 26:



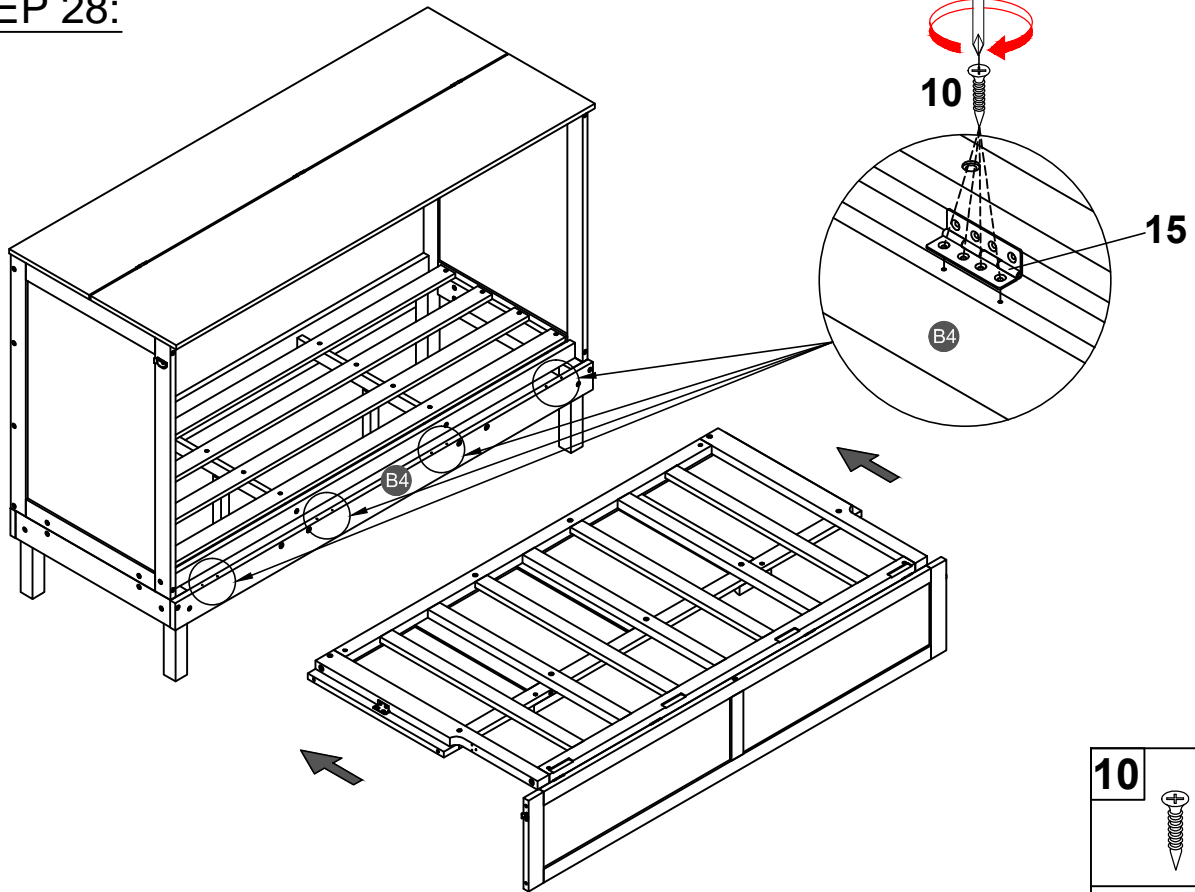
11	
	4PCS
16	
	2PCS


STEP 27:



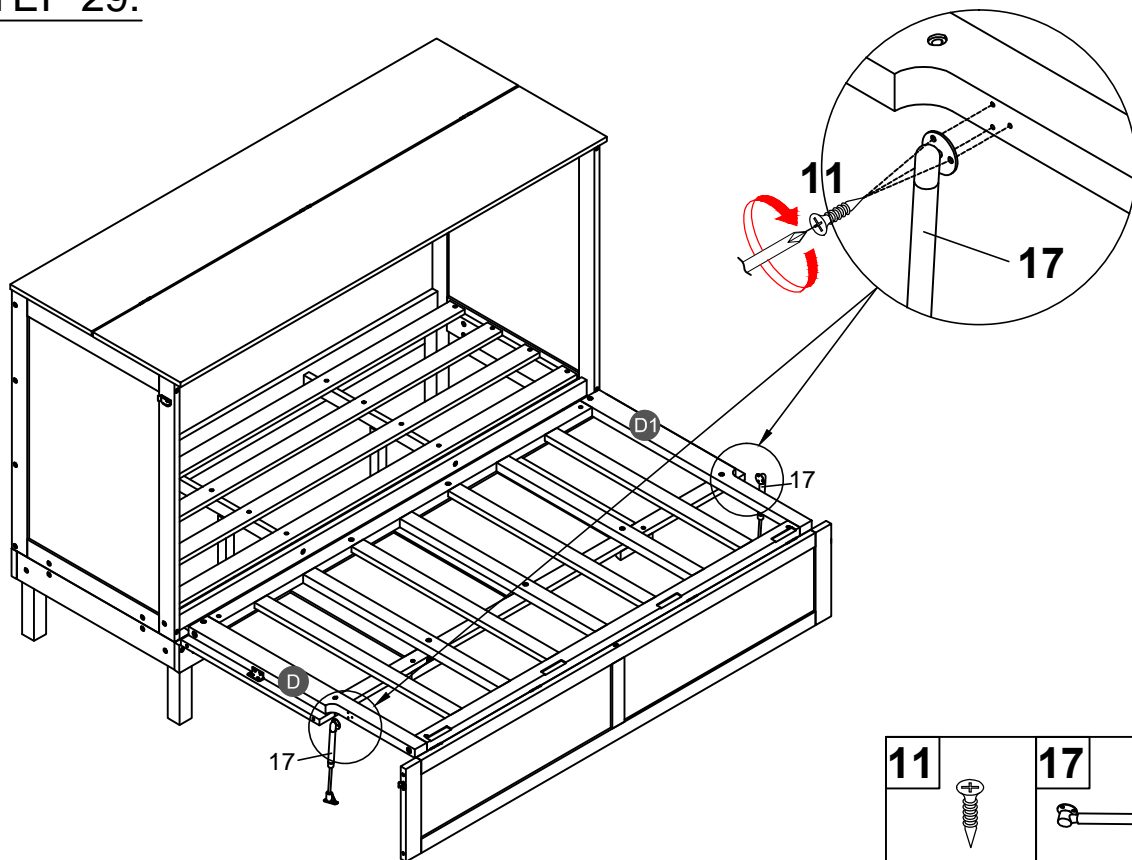
11		21	
	16PCS		4PCS


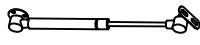
STEP 28:



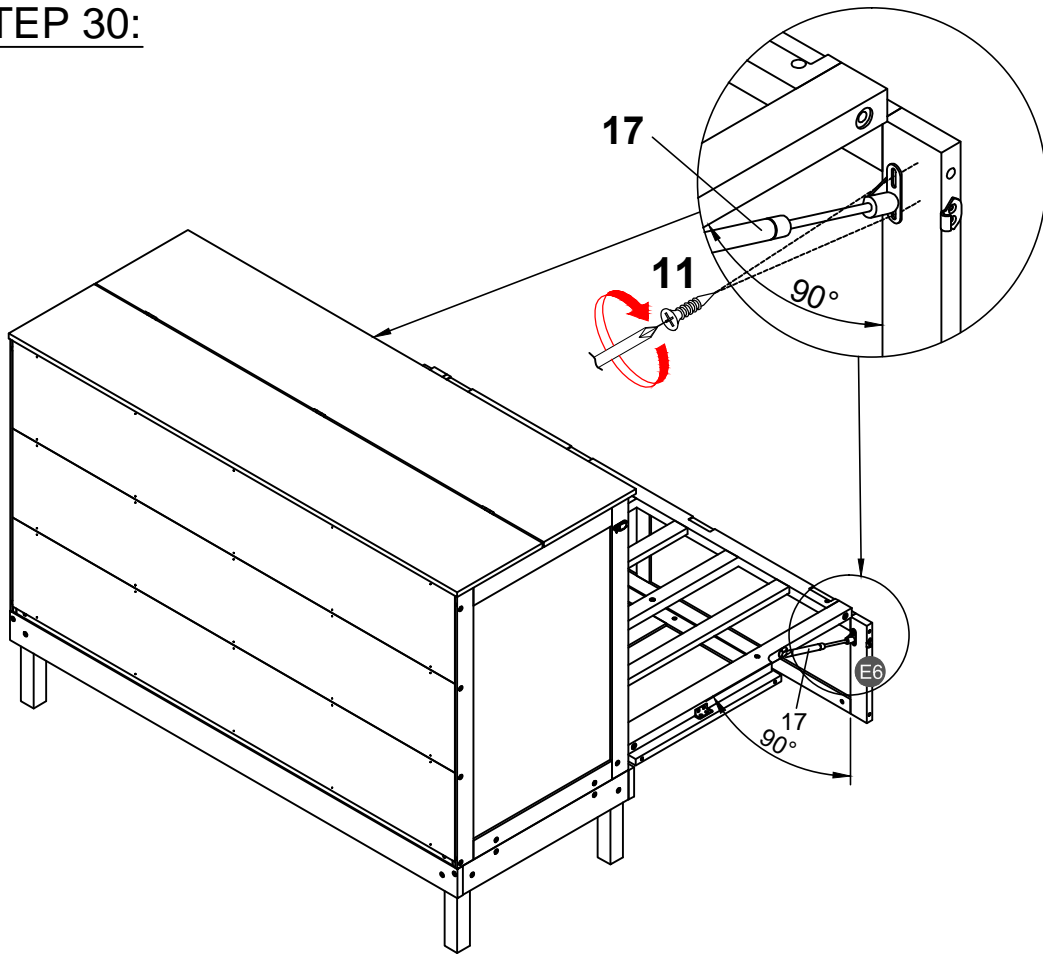
10	
16PCS	

STEP 29:



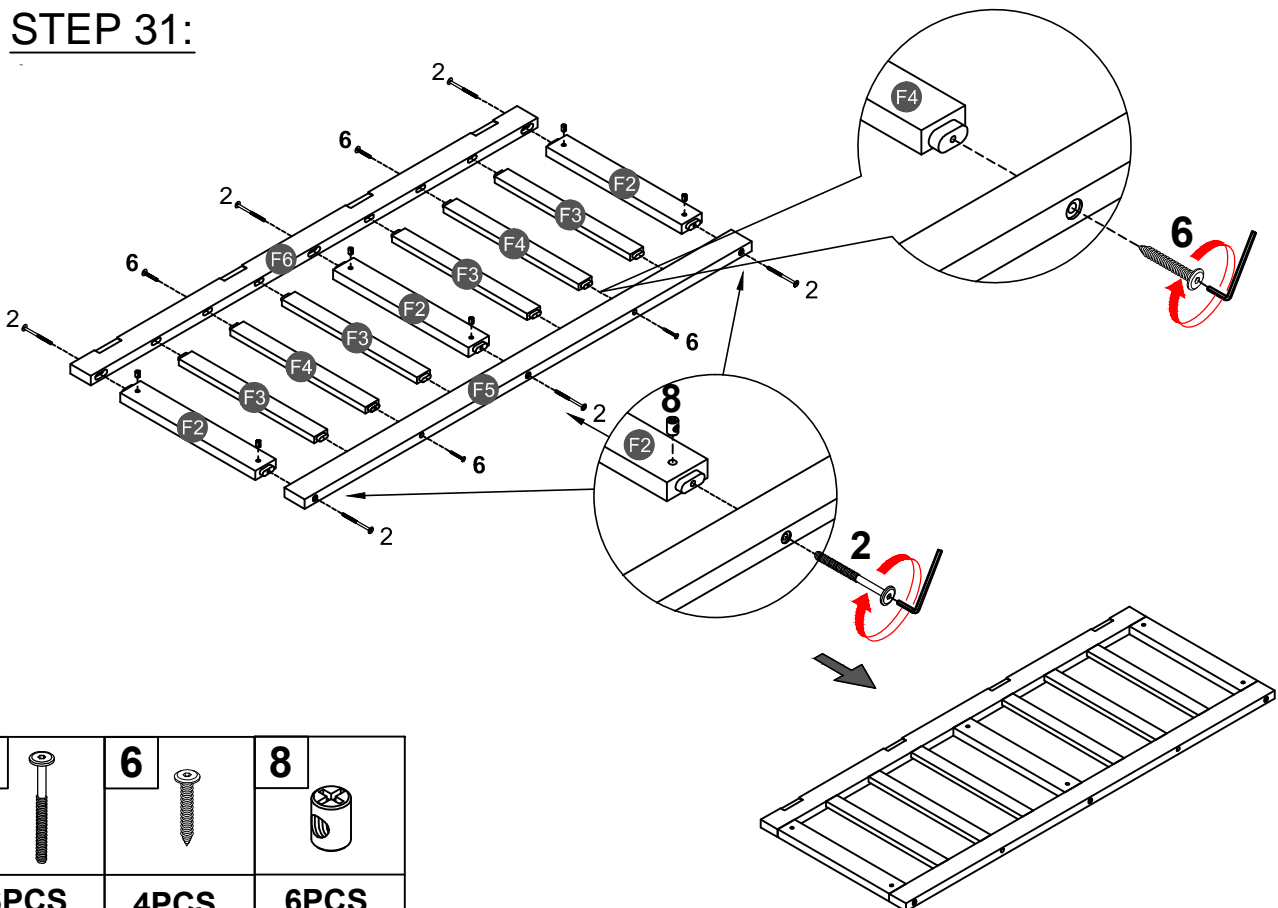
11		17	
6PCS		2PCS	

STEP 30:





11	
4PCS	

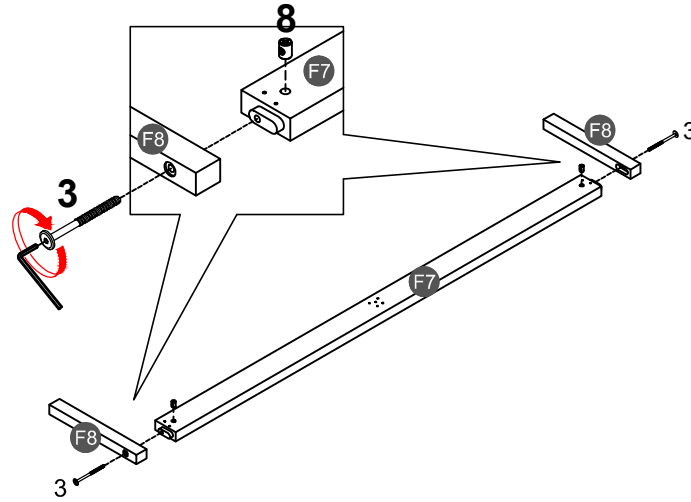
STEP 31:




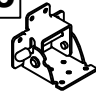

2		6		8	
6PCS		4PCS		6PCS	

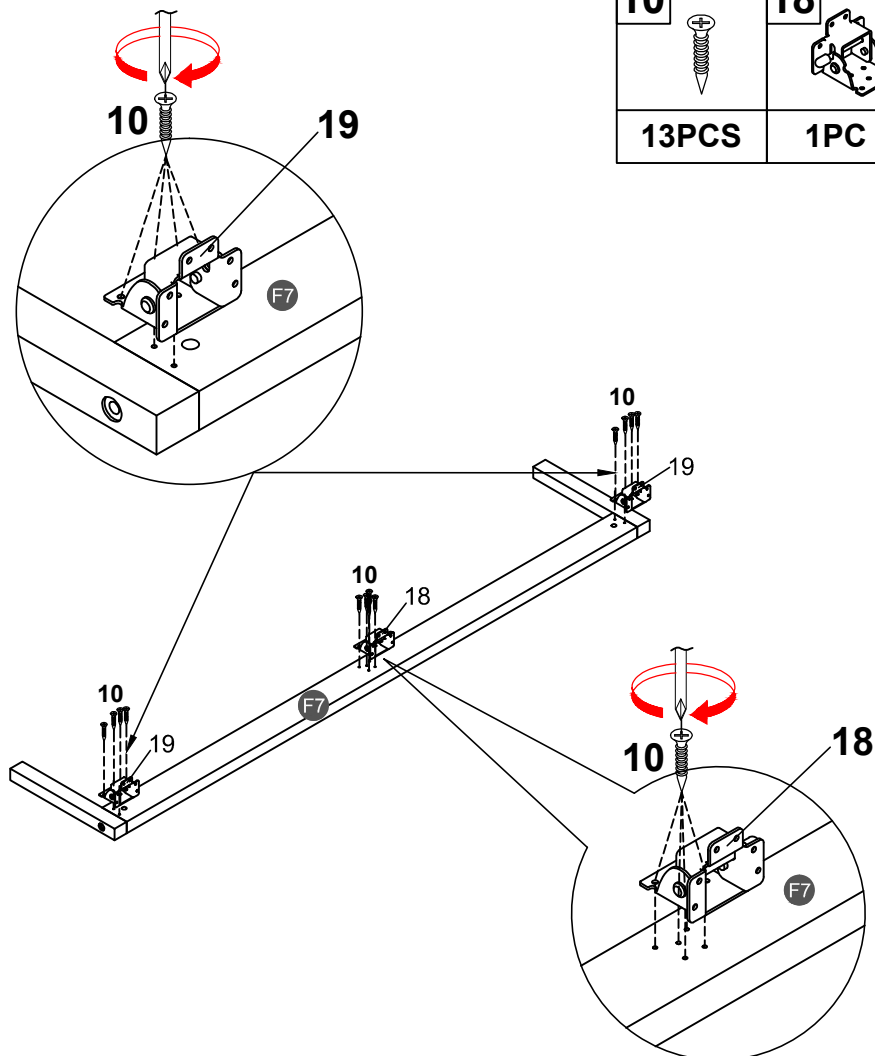
STEP 32:

3		8	
2PCS		2PCS	




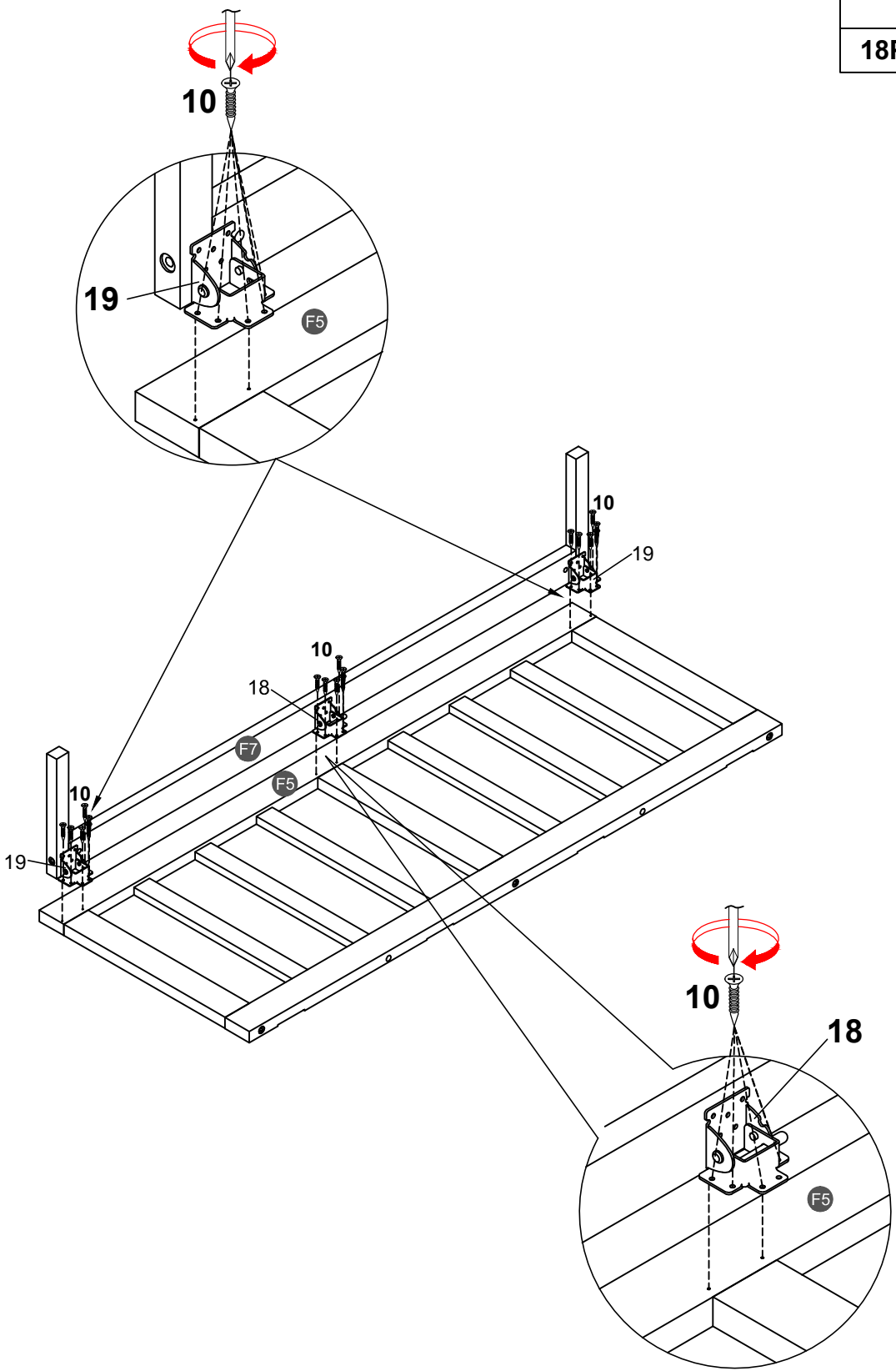
STEP 33:

10		18		19	
13PCS		1PC		2PCS	




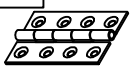
STEP 34:

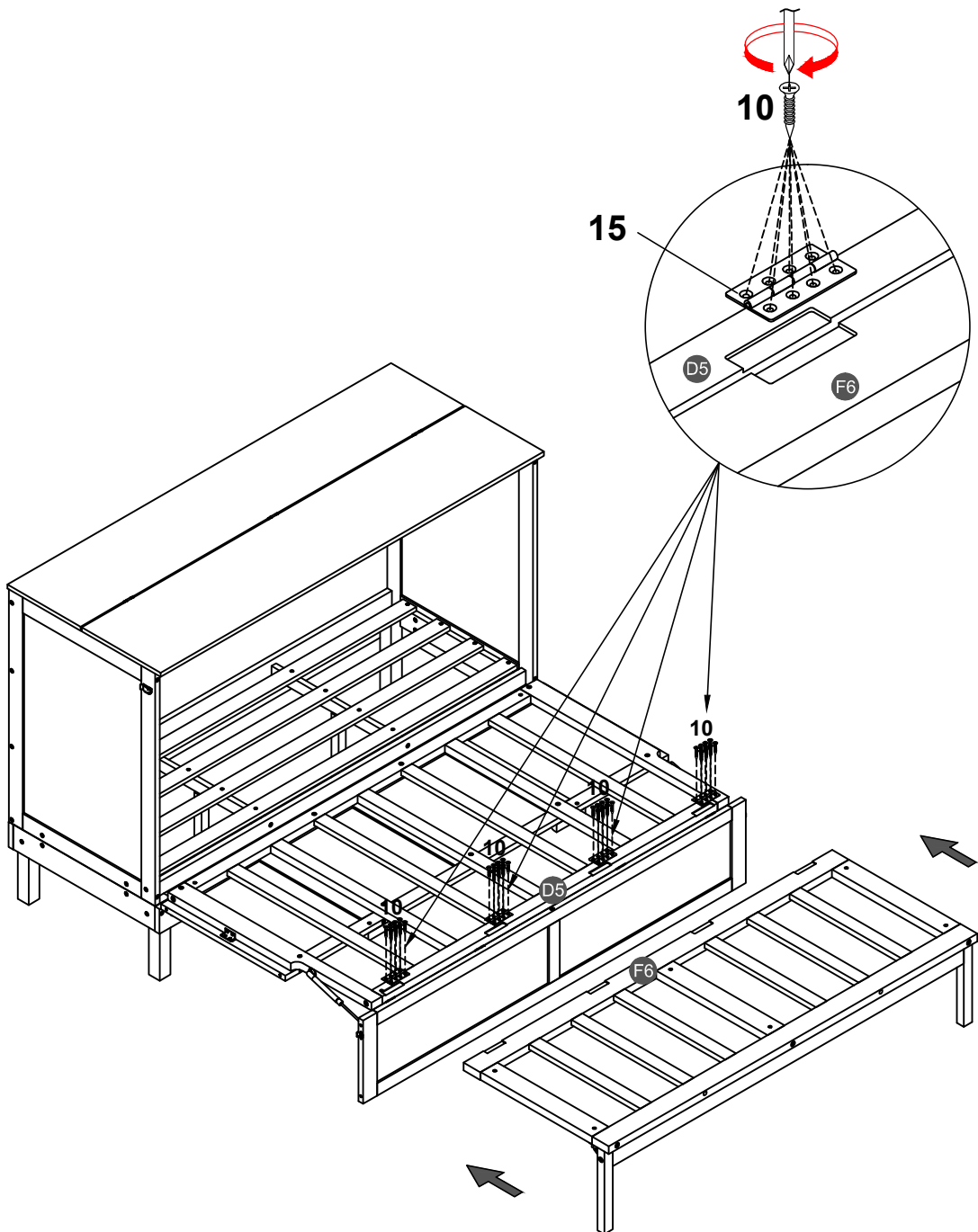
10	
18PCS	



STEP 35:

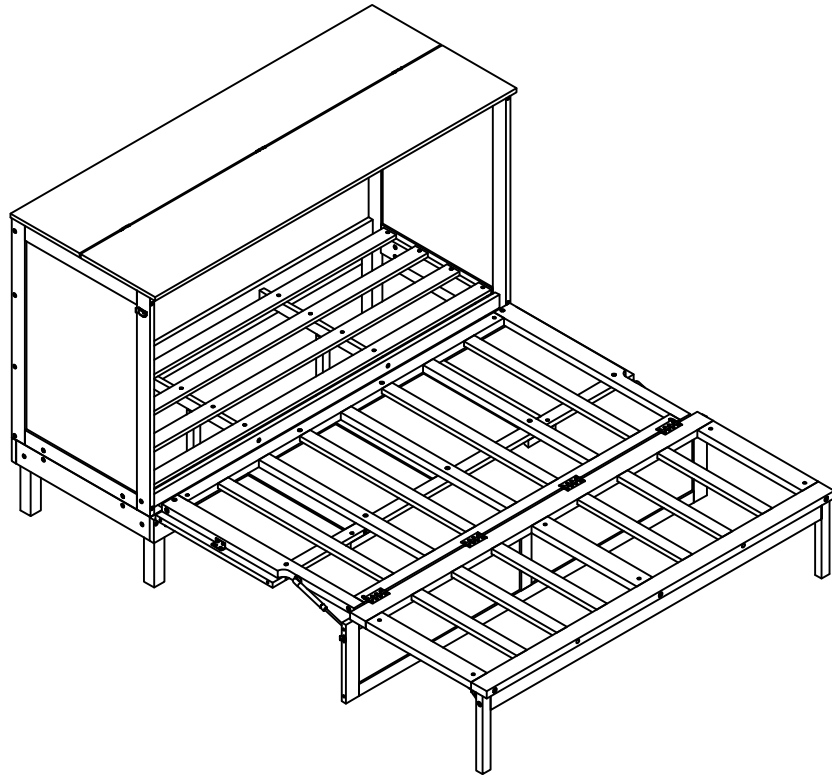
TYPE 1

10		15	
32PCS		4PCS	



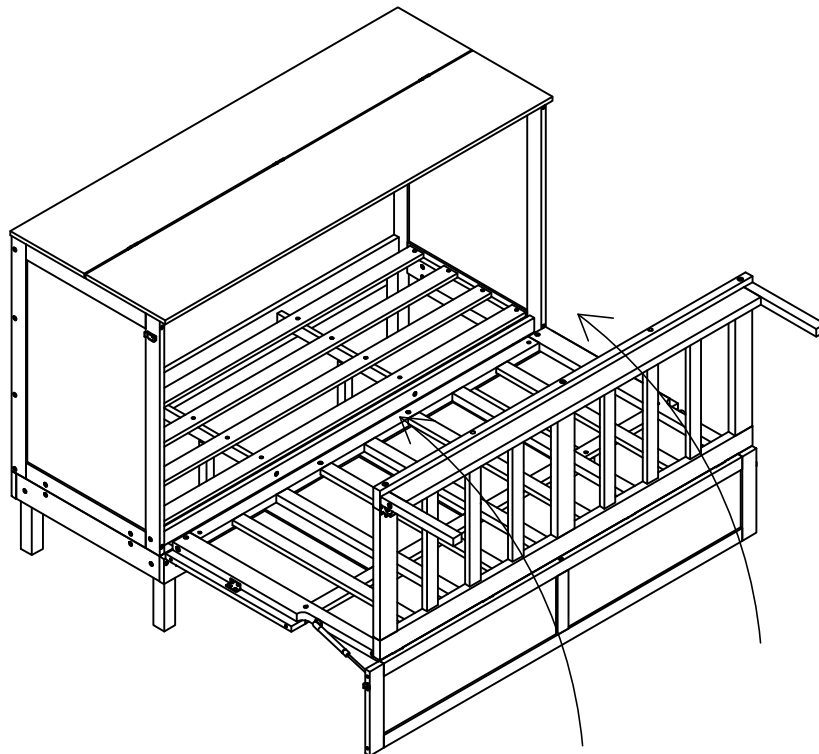
STEP 36:

TYPE 1



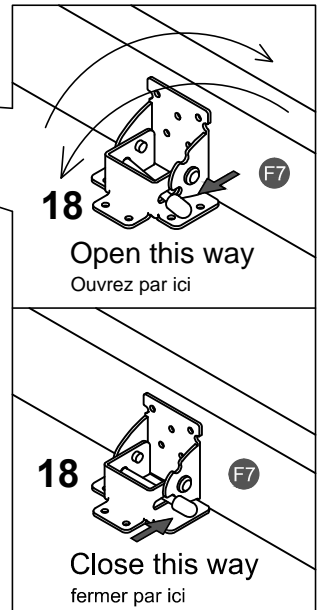
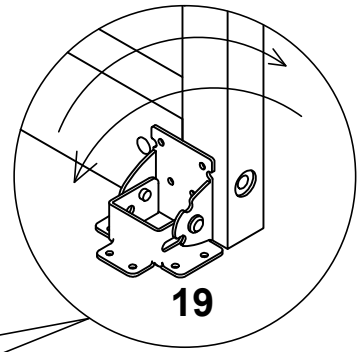
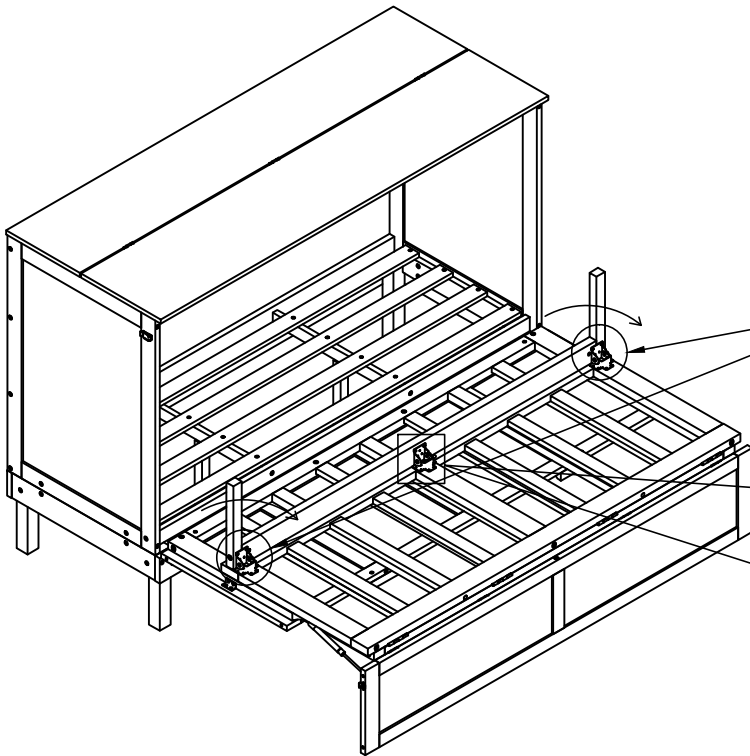
STEP 37:

TYPE 2



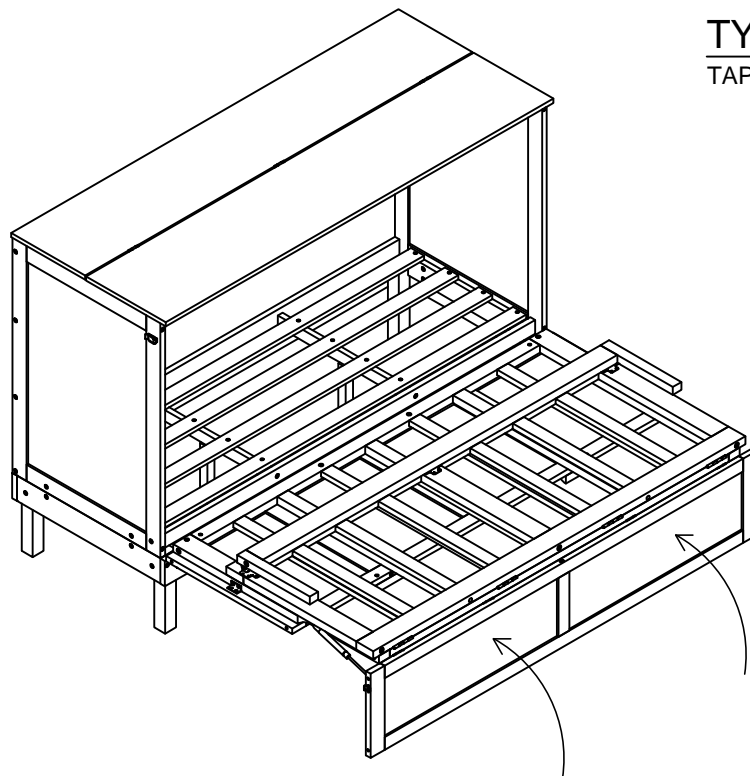
STEP 38:

TYPE 2



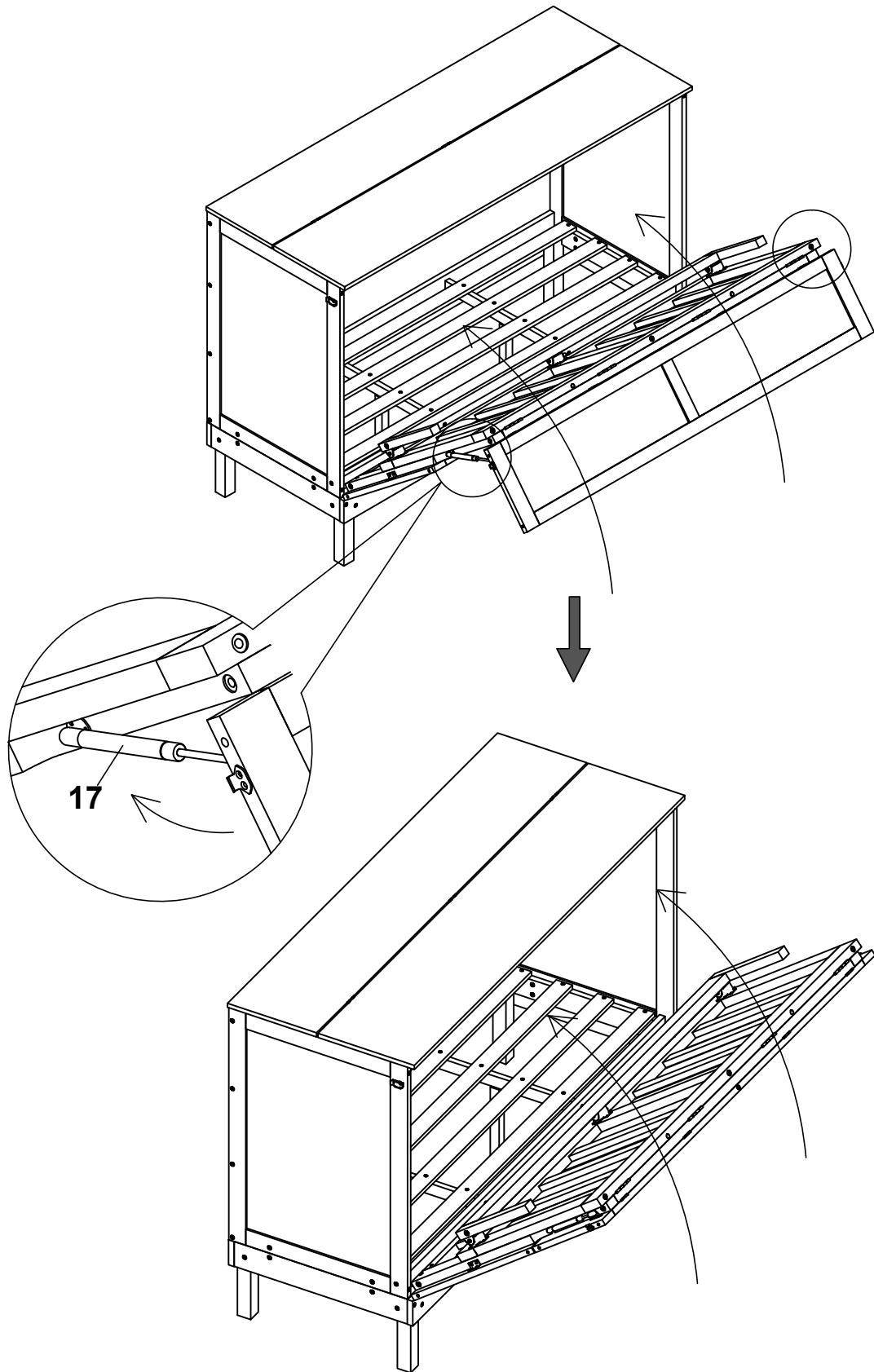
STEP 39:

**TYPE 2
TAPER**



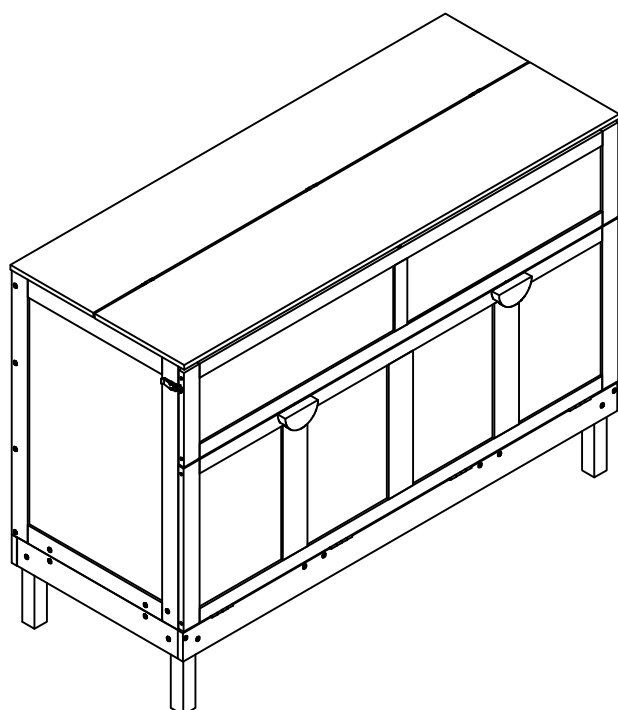
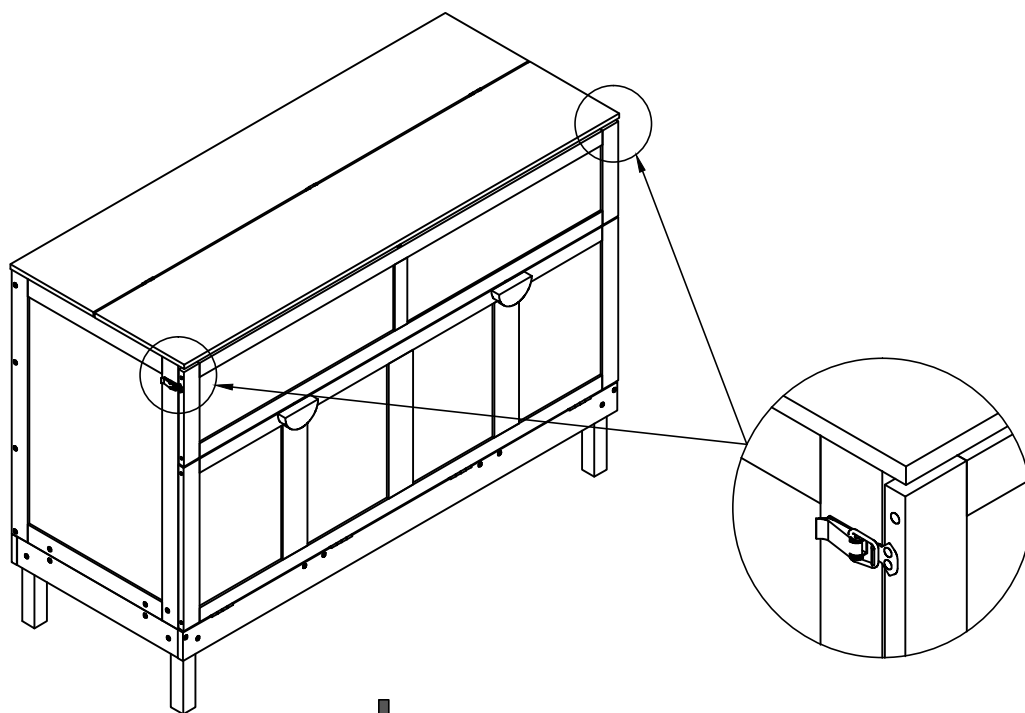
STEP 40:

TYPE 2



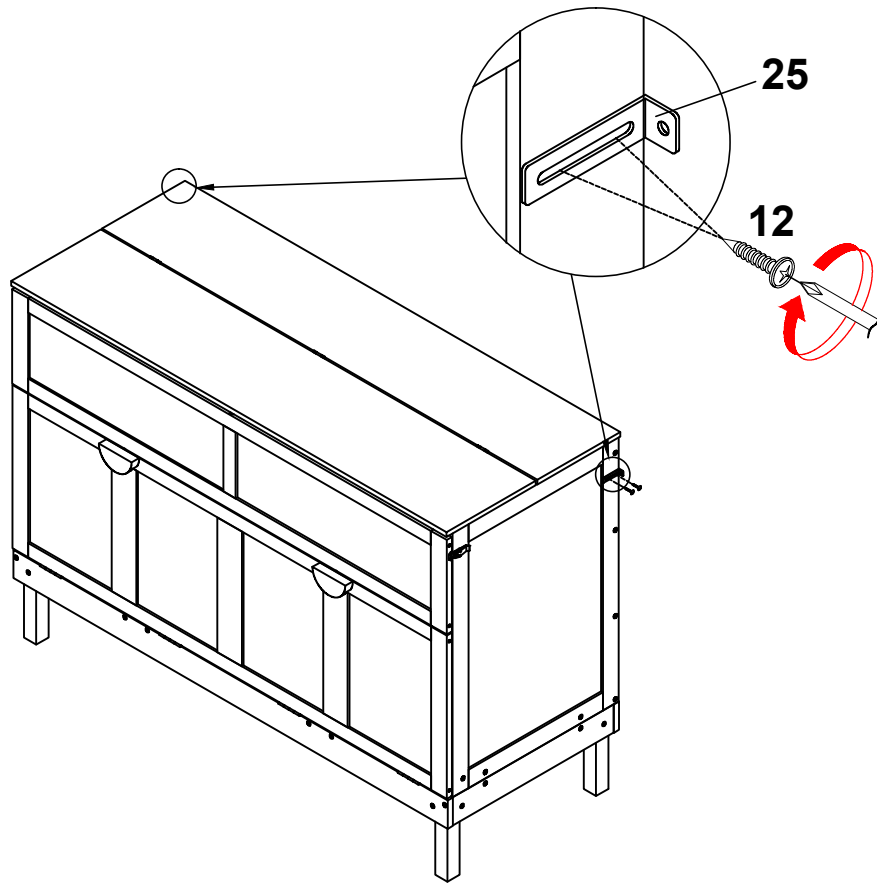
STEP 41:
ÉTAPE



TYPE 2



Make sure to tighten all the screws of the bed.

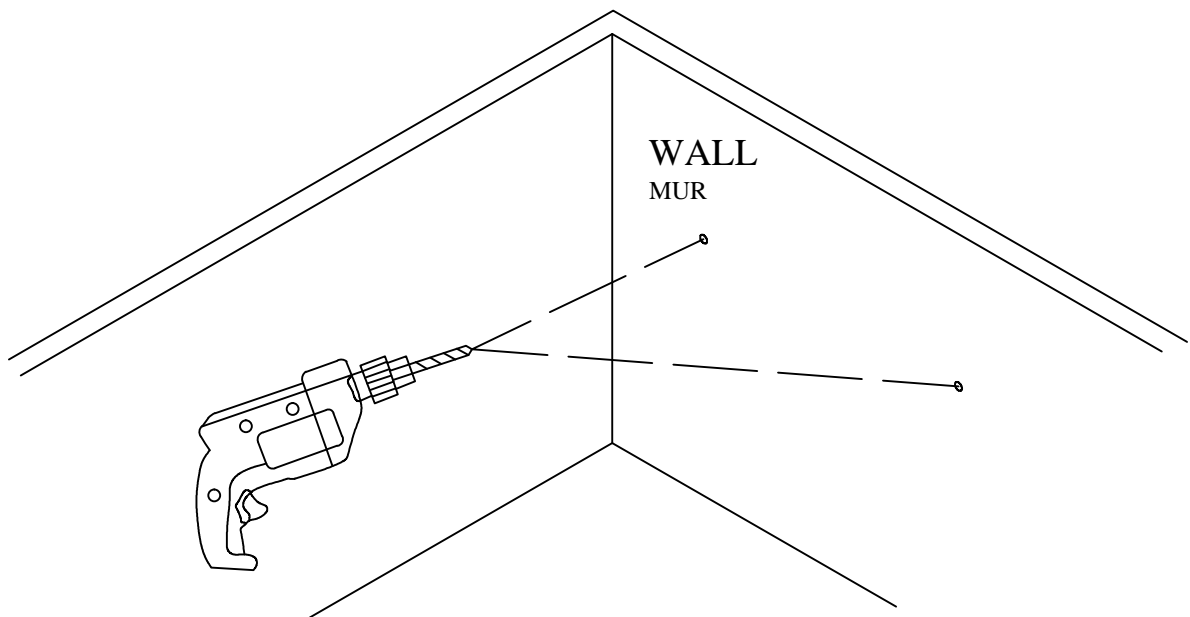
STEP A:



12	
4PCS	
25	
2PCS	

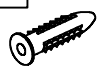
Installing the Anti-Tip Bracket.

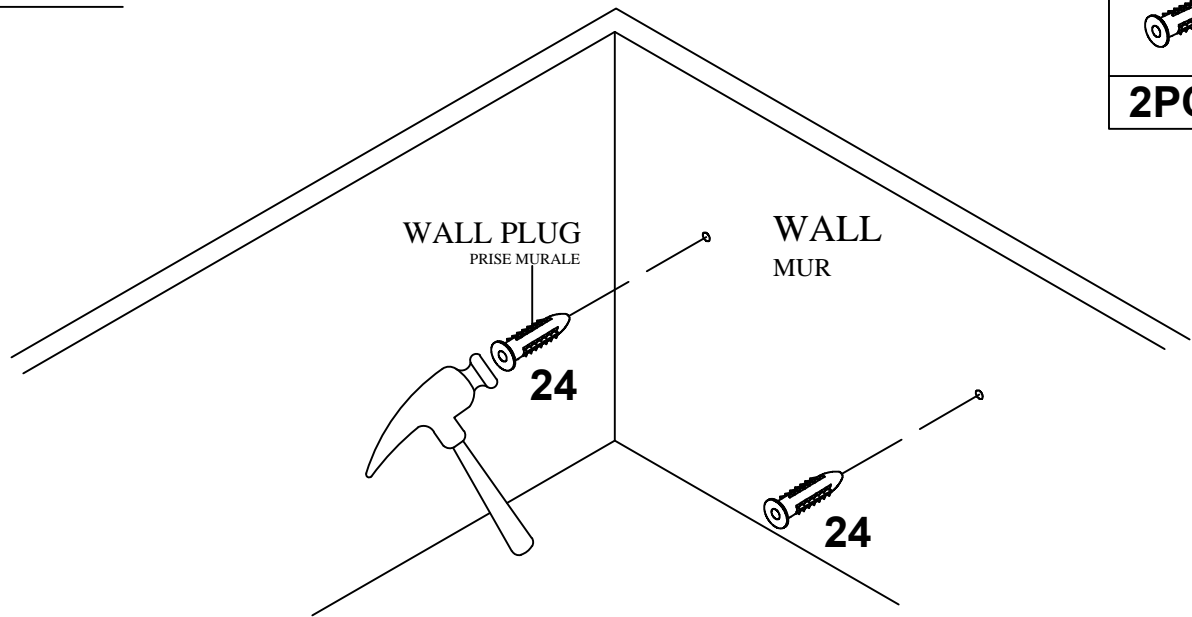
STEP B:



Drill holes in the wall.


STEP C:

24

2PCS



Tap plastic anchor in with a hammer or mallet.

STEP D:

26

2PCS

Fix the bracket to the wall with screw.

