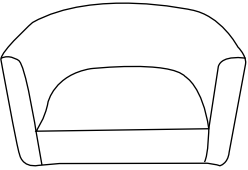
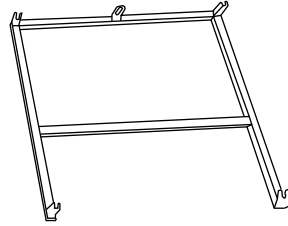
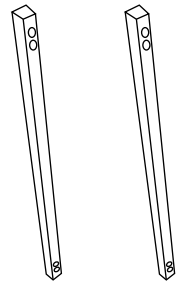
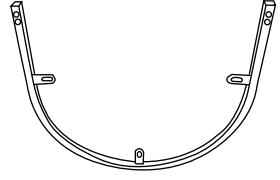
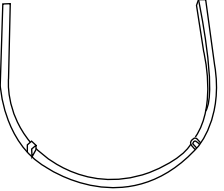
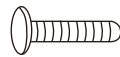
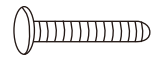

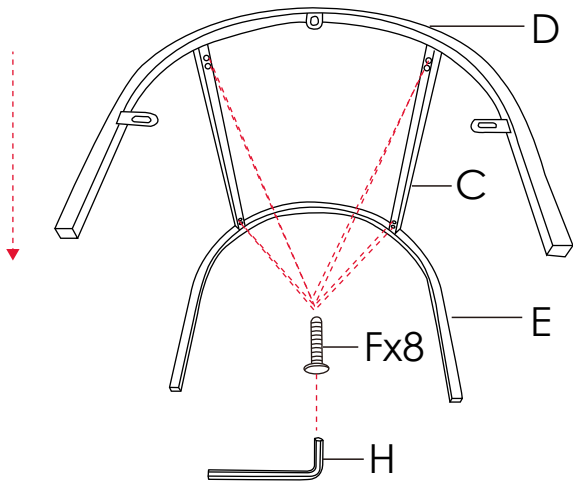
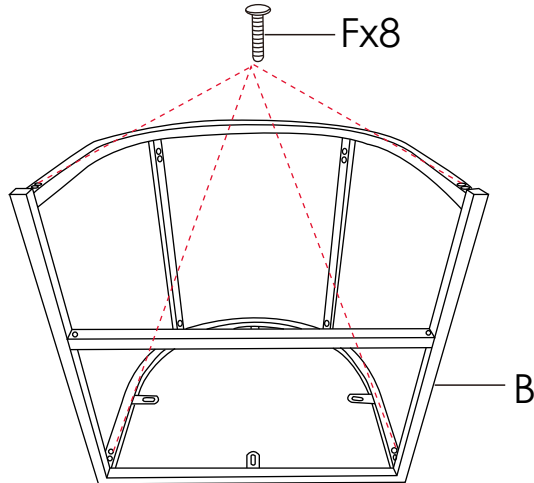
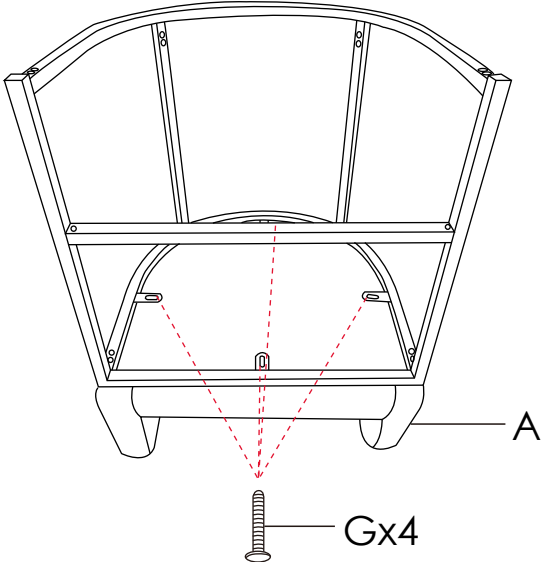
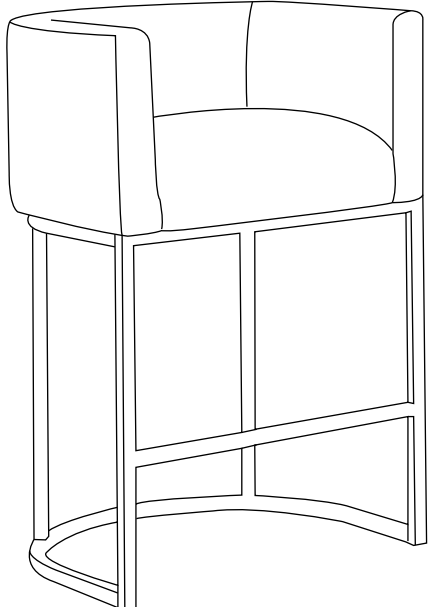


ASSEMBLY INSTRUCTION

Ax1 	Bx1 	Cx2 	Dx1 
Ex1 	Fx16  M6x14mm	Gx4  M6x25mm	Hx1 

<p>①</p>  <p>D C E Fx8 H</p>	<p>②</p>  <p>Fx8 B</p>
<p>③</p>  <p>A Gx4</p>	<p>④</p> 

Tips: first tighten the screws 60 percent and finally tighten them all