

INSTRUCTION MANUAL

10 Ft x 13Ft Gazebo with Netting

IF YOU PURCHASED THE GAZEBO ONLINE AND HAVE
ANY QUESTIONS OR CONCERNS

PLEASE CONTACT US WITH EMAIL OR TEXT

EMAIL: hiwarrantyservice@outlook.com

TEXT: +1 628-263-4608

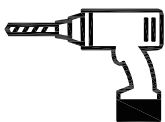
Warnings and Cautions

Warnings and Cautions

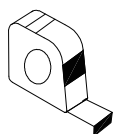
Thank you for choosing our gazebo. Please read these instructions thoroughly before assembly and use.

Before start the assembly process, we suggest you to get familiar with this product. Make sure all parts listed up in below packing lists are delivered and If you find any parts missing or damaged please do not install but contact us immediately.

1. Do not mount this gazebo yourself but contact a professional workman for help if
 - you are unsure if the gazebo can be mounted on the place you chose for installation.
 - you do not understand the instruction manual or parts of it.
 - you do not have necessary tools available.
 - you do not have necessary technical knowledge.
2. A minimum of two healthy adults are required to move and install the gazebo.
3. Keep children and pets out of the working area during assembly and adjustments.
4. This product and its fixing parts are only suitable for installation on a plaincement wall or stable brickwork. If the wall/brickwork shows cracks you have to consult a professional.
5. Nobody is allowed to change the products' design and structure without the permission of manufacture or authorized deputy.
6. Please make sure that your hands are clean at the time of the assembly; otherwise you may soil frame and gazebo top.
7. Nobody is allowed to climb onto the gazebo. Hanging heavy things on the Gazebo is forbidden.
8. This structure is a non-permanent structure and the warranty does not cover damage incurred under extreme weather conditions including heavy rain, high winds or if exposed to high heat from heaters or BBQs.
9. Never leave children unattended around/under this gazebo.
10. Do not attempt to assemble or use the gazebo in moderate or heavy wind conditions.
11. Never set up or continue to use in any rain, wind or storm conditions, especially lightning storms. Damage can occur to your gazebo and put you and others in potential danger.
12. Safety precautions should always be followed when assembling and using this product to reduce the risk of personal injury and damage to equipment.
13. Please read all instructions before assembly and use.



Pistol Drill



Tape Measure



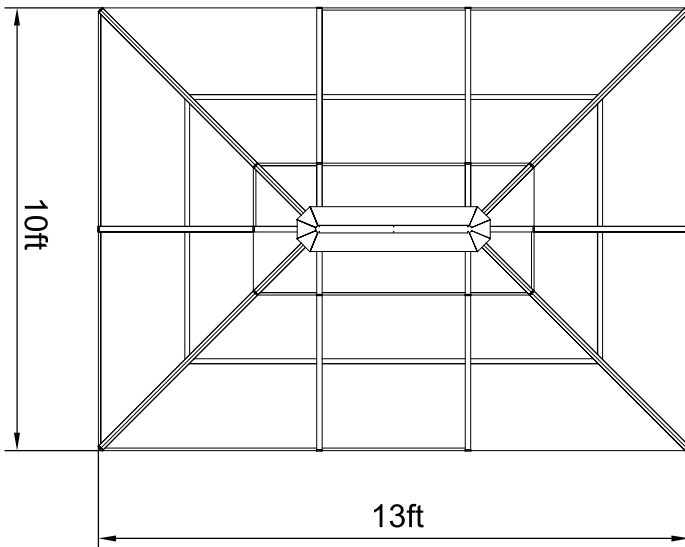
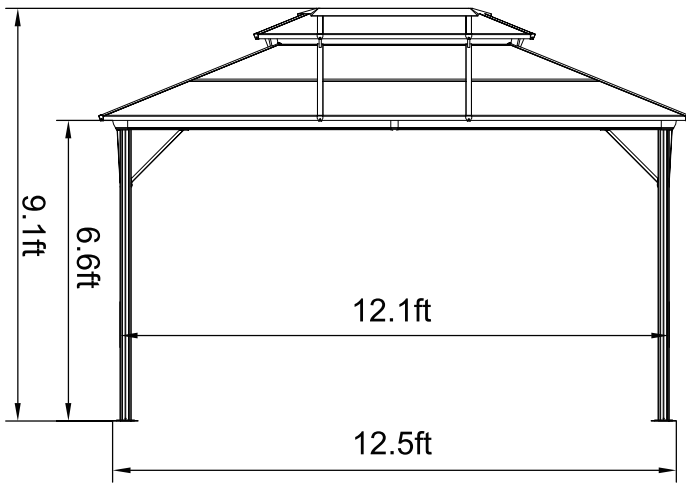
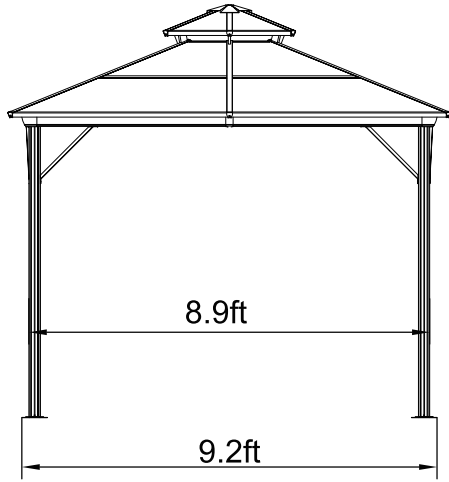
Screwdriver



Ladder



3 people





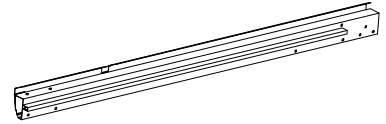
(A) 4x



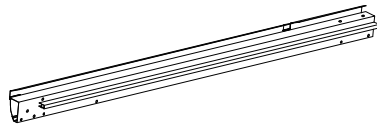
(B) 2x



(B1) 2x



(C) 2x



(C1) 2x



(D) 4x



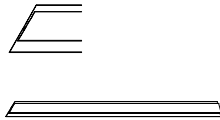
(D8) 4x



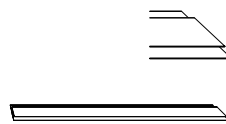
(E) 6x



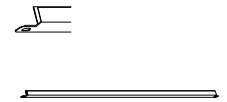
(F7) 2x



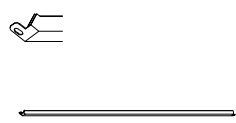
(F8) 4x



(F9) 4x



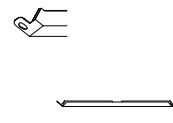
(G) 2x



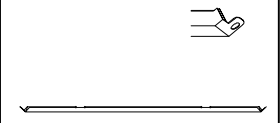
(G1) 4x



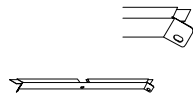
(G2) 4x



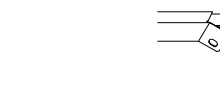
(G3) 2x



(G4) 2x



(G5) 2x



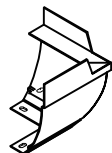
(G6) 2x



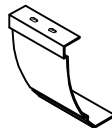
(H) 4x



(H1) 4x



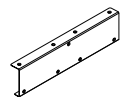
(K) 4x



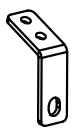



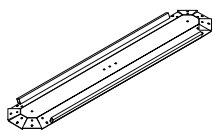
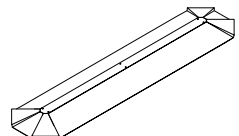


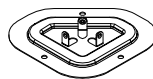
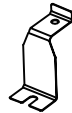
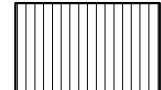
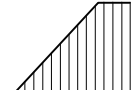
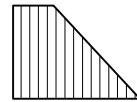
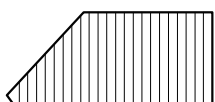
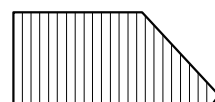
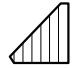

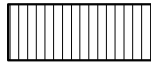
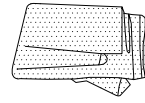
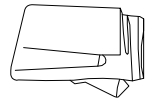

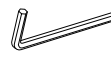
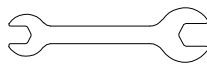

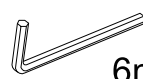
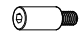



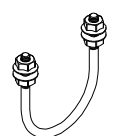



(K1) 2x



(K2) 2x



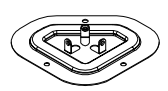
(P) 4x

			
X 6x	X1 8x	X2 8x	X3 4x
			
L 1x	M 1x	N 12x	N1 12x
			
J 4x	V 4x	Q5 4x	Q6 4x
			
Q7 4x	Q8 4x	Q9 4x	R1 4x
			
R2 4x	R3 2x	S 4x	T 4x
	1x  4mm		 M6x16
U 112x	1x  6mm		
			
2 16x	3 4x M5x12	4 16x ST4.8x12	5 2x
			
6 1x	7 1x M6x25	8 12x	9 52x M5x15

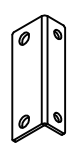
<1>



A 4x



J 4x



X1 8x



X2 8x



M6x16

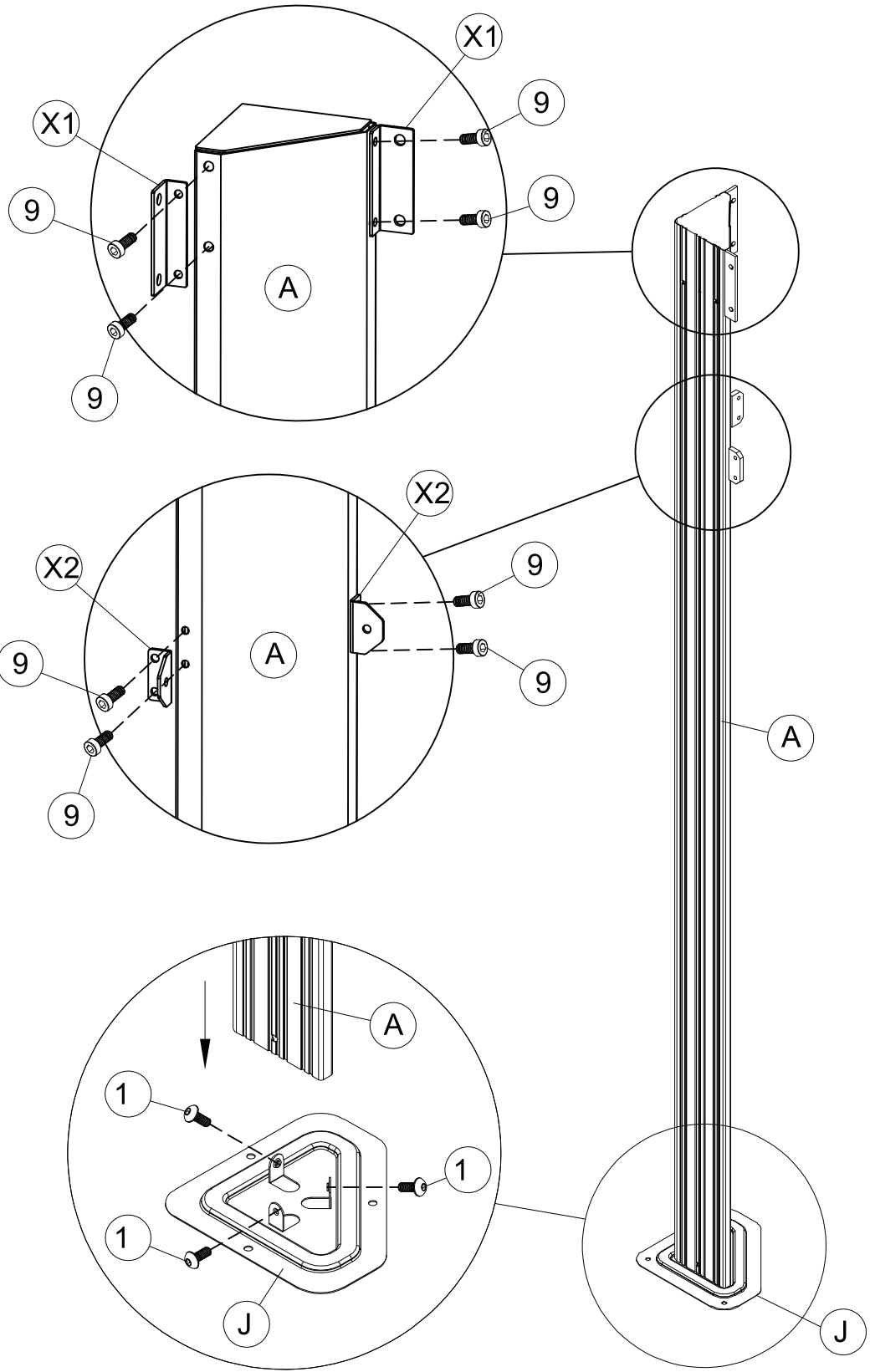
1 12x



M5x15

9 32x

4



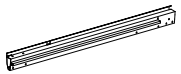
<2>



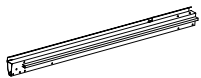
B 2x



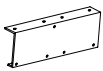
B1 2x



C 2x



C1 2x

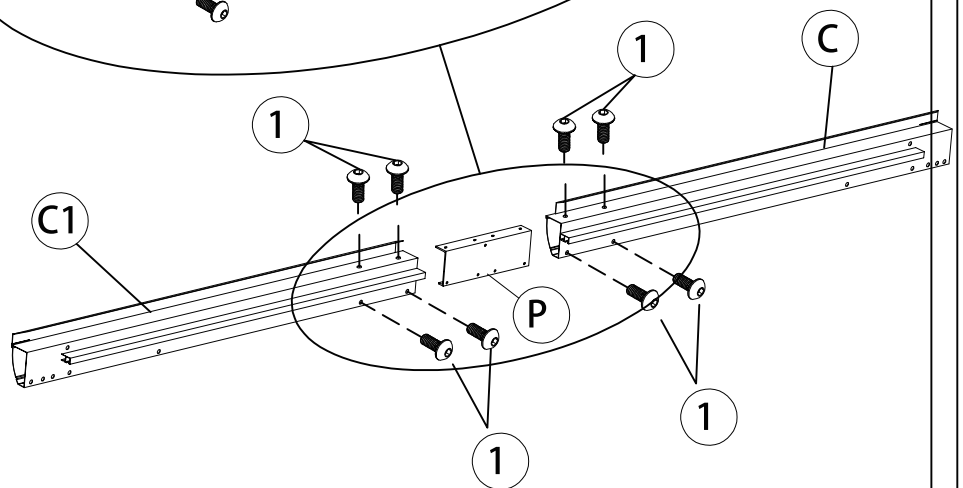
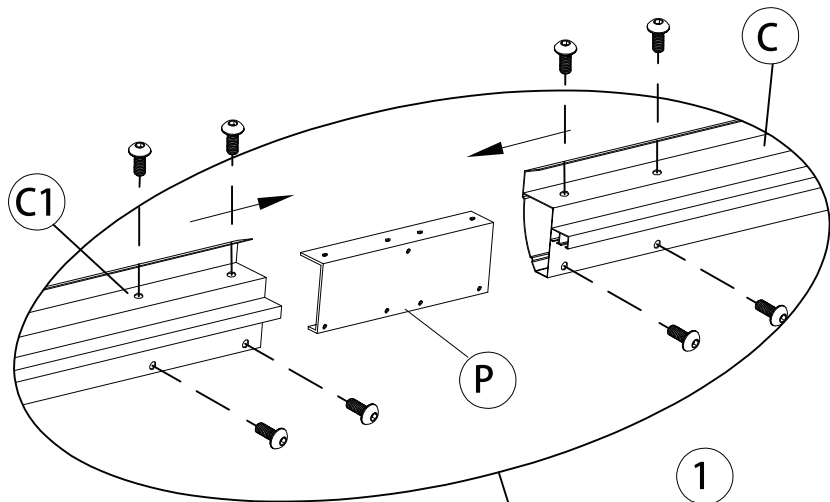
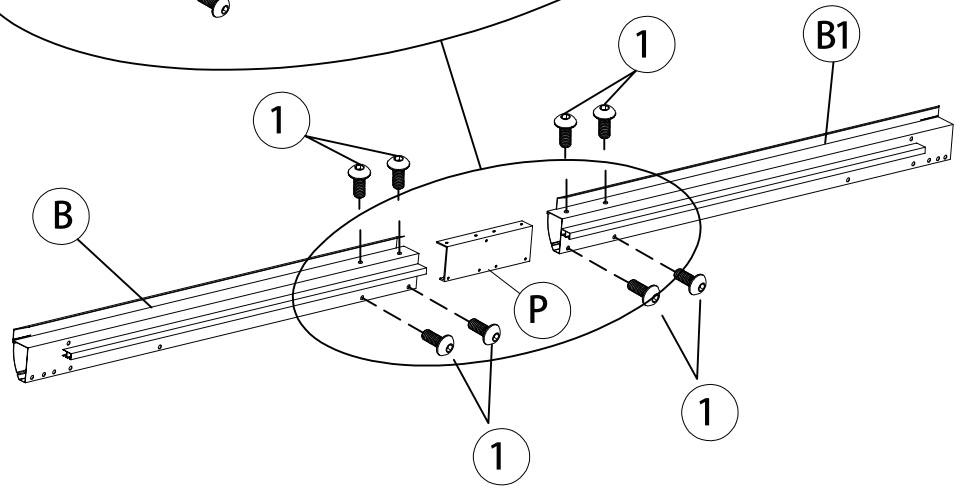
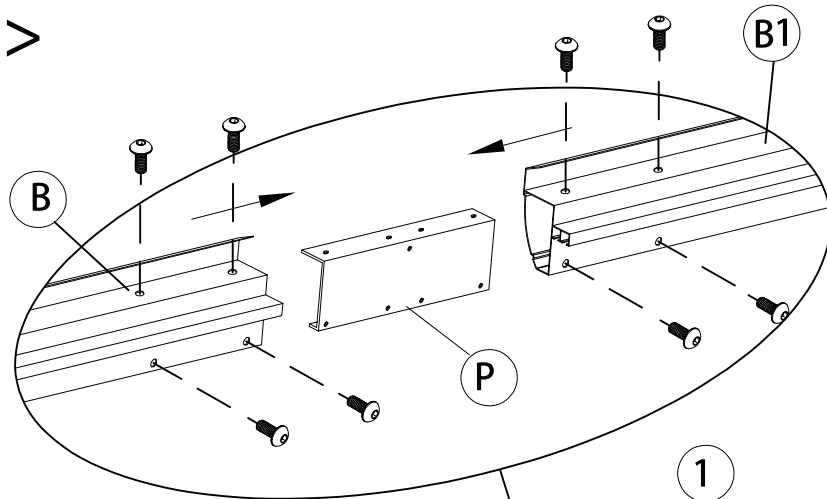


P 4x



1 32x M6x16

5





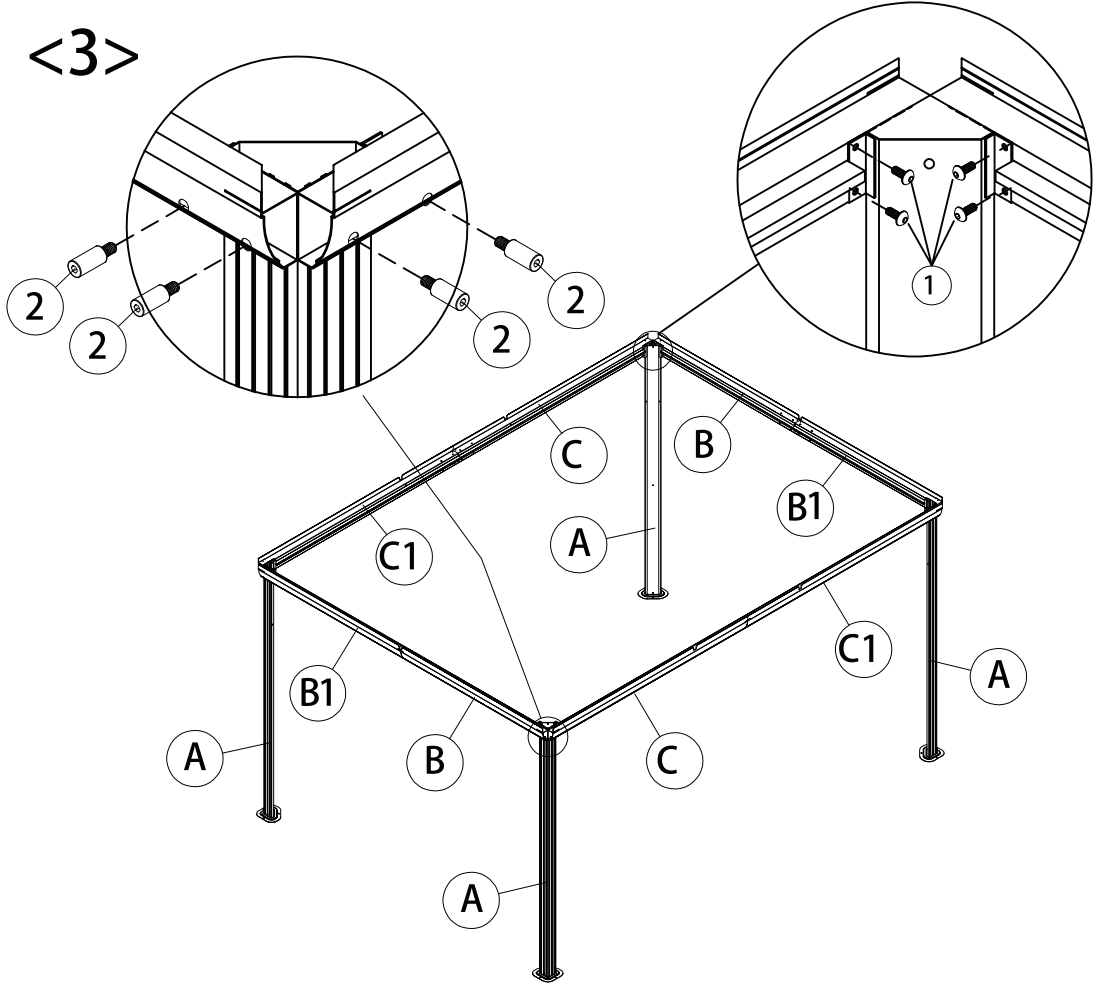
M6x16

1 16x



2 16x

<3>



H 4x



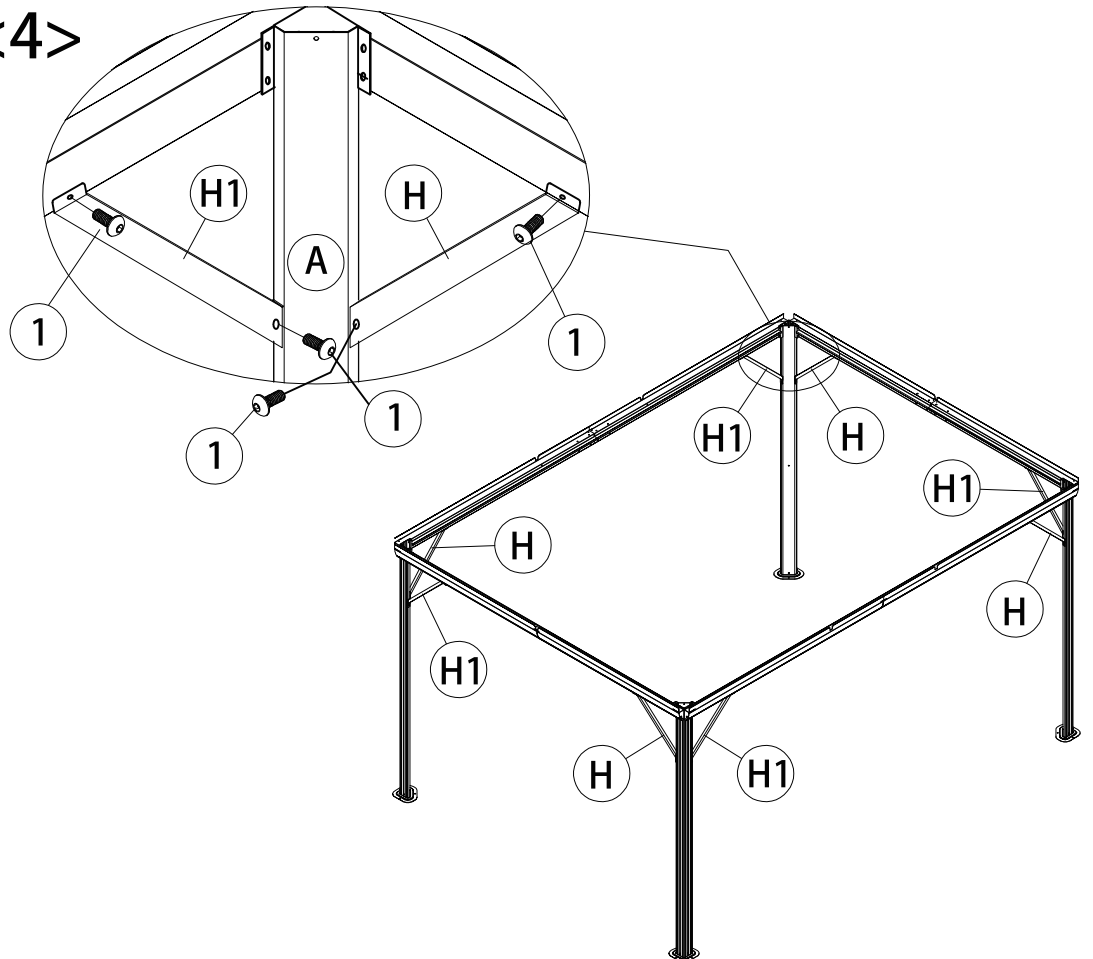
H1 4x



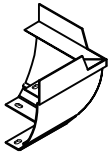
M6x16

1 16x

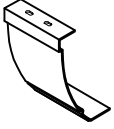
<4>



6



(K) 4x



(K1) 2x



(K2) 2x



(V) 4x



(U) 112x



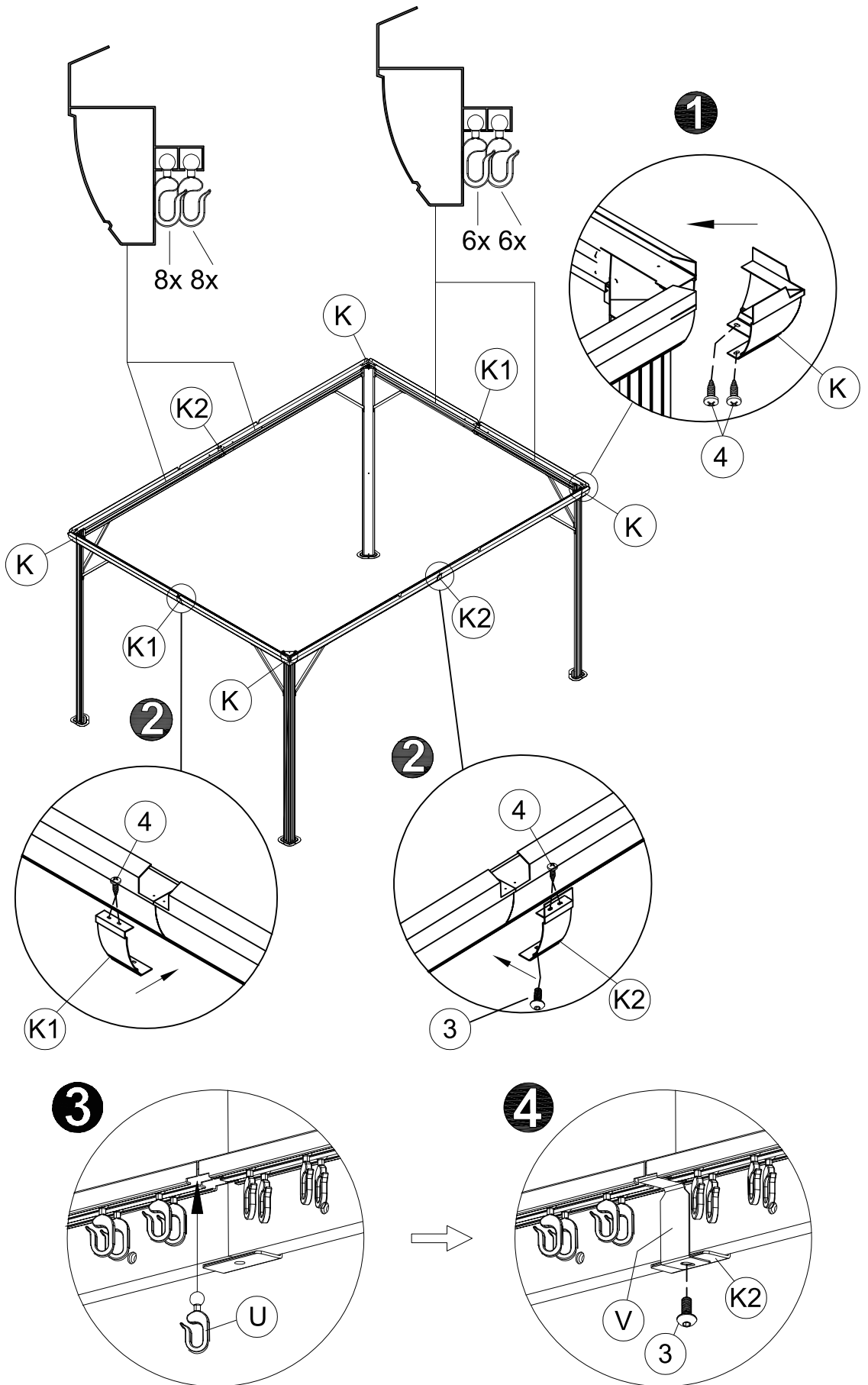
(3) 4x M5x12



(4) 16x ST4.8 x12

7

<5>

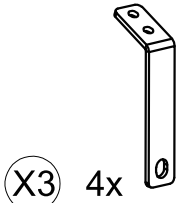




D 4x

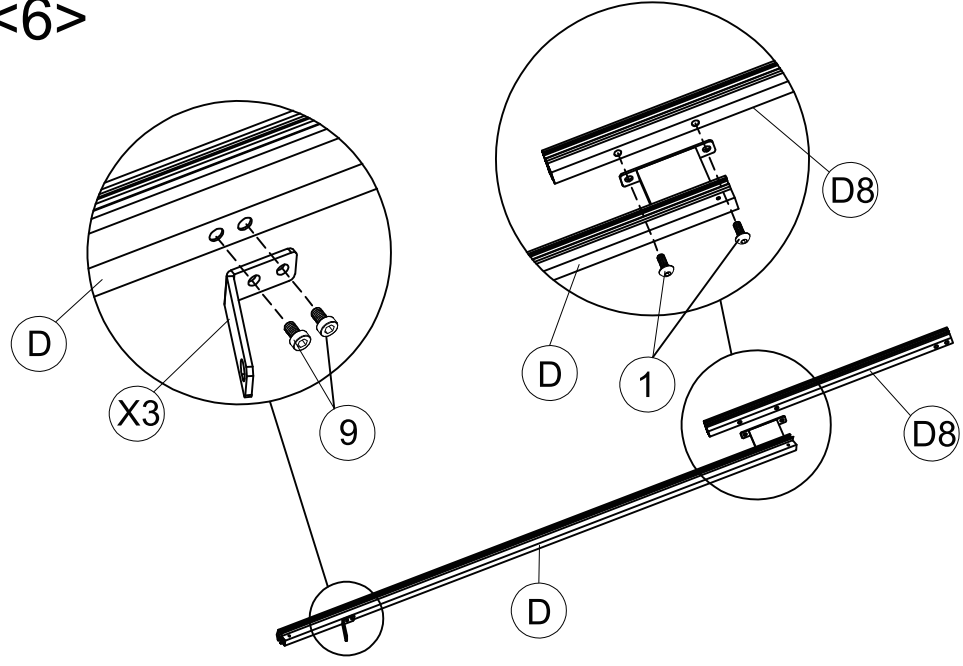


D8 4x

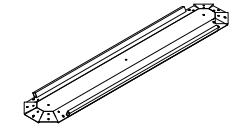


X3 4x

<6>



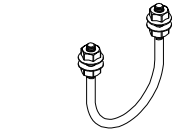
9 M5x15 8x



L 1x

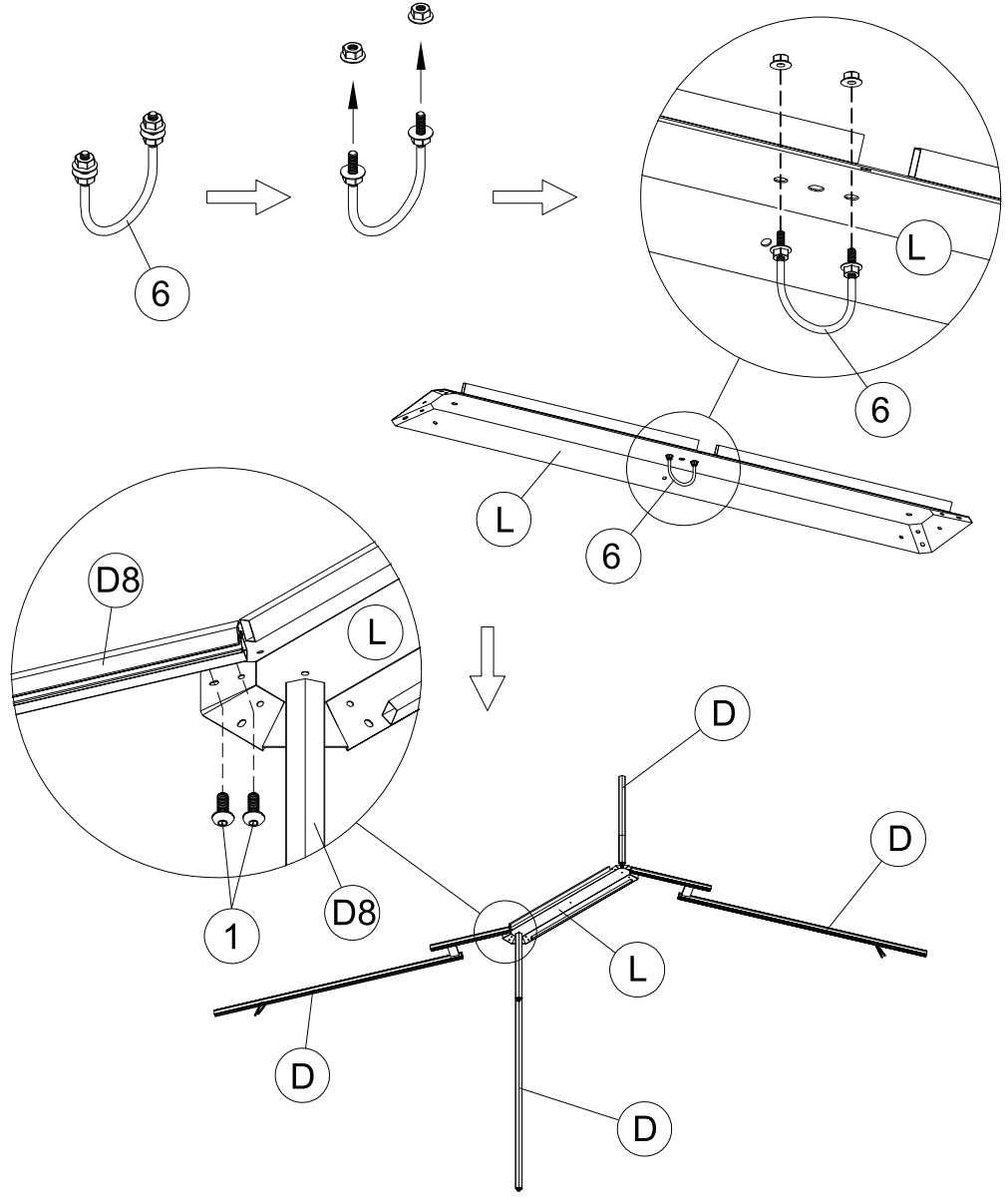


1 M6x16 16x



6 1x

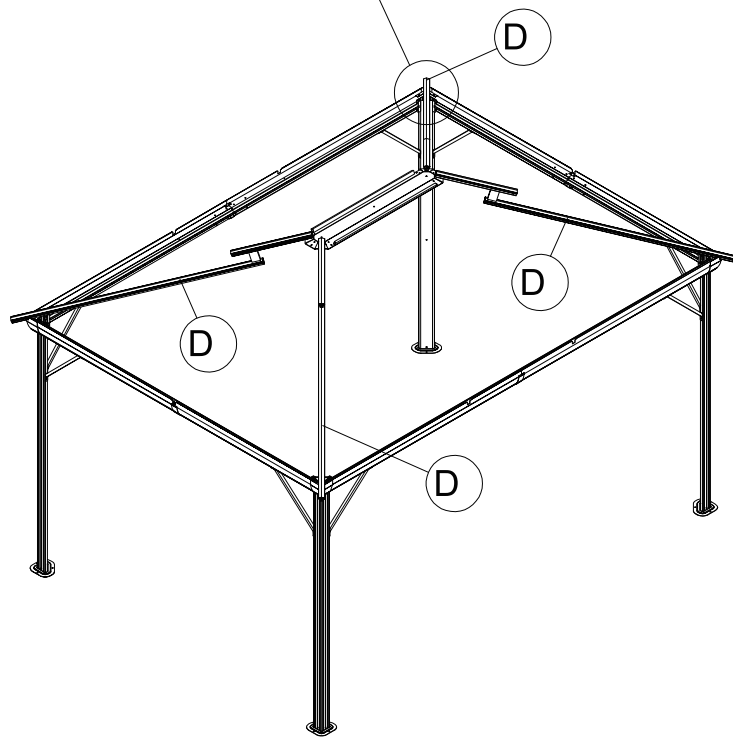
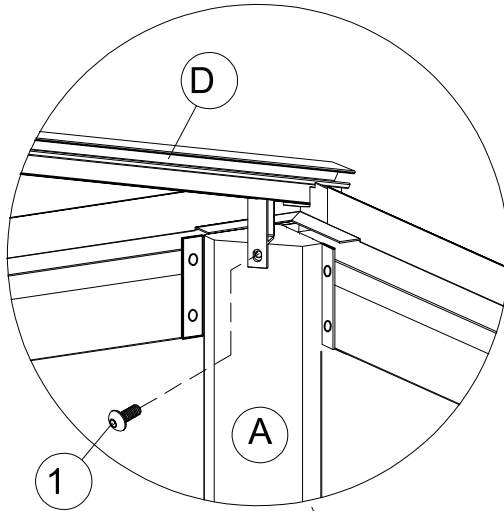
8





<7>

1 4x M6x16

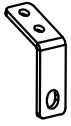


9



<8>

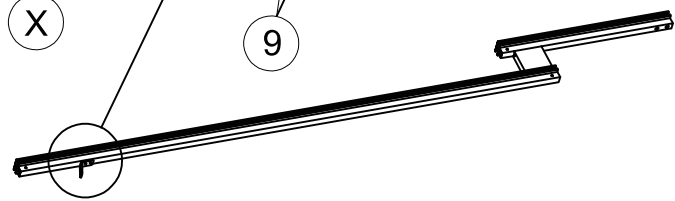
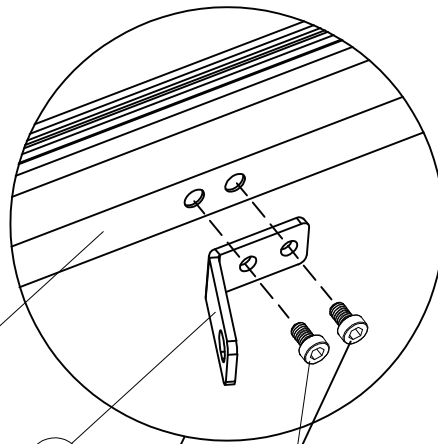
E 6x



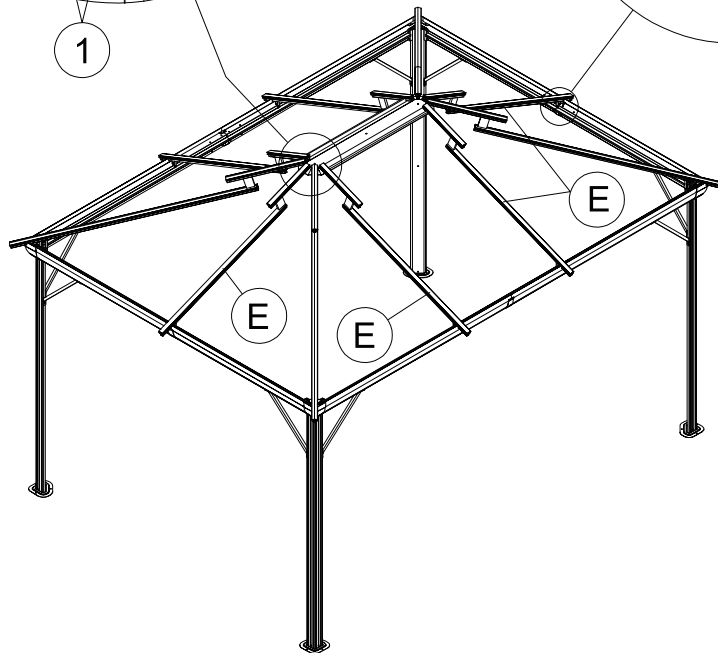
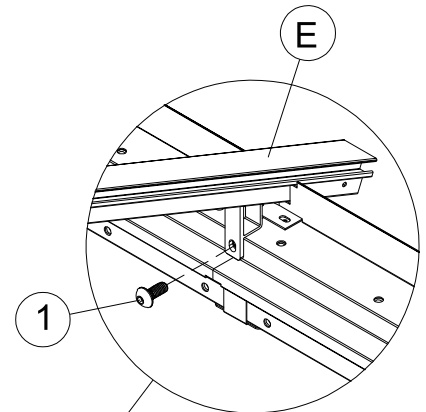
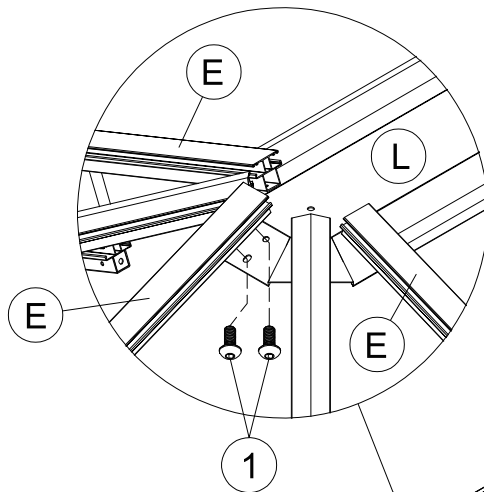
X 6x



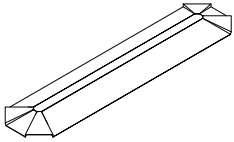
9 12x
M5x15



1 18x
M6x16



10



(M) 1x

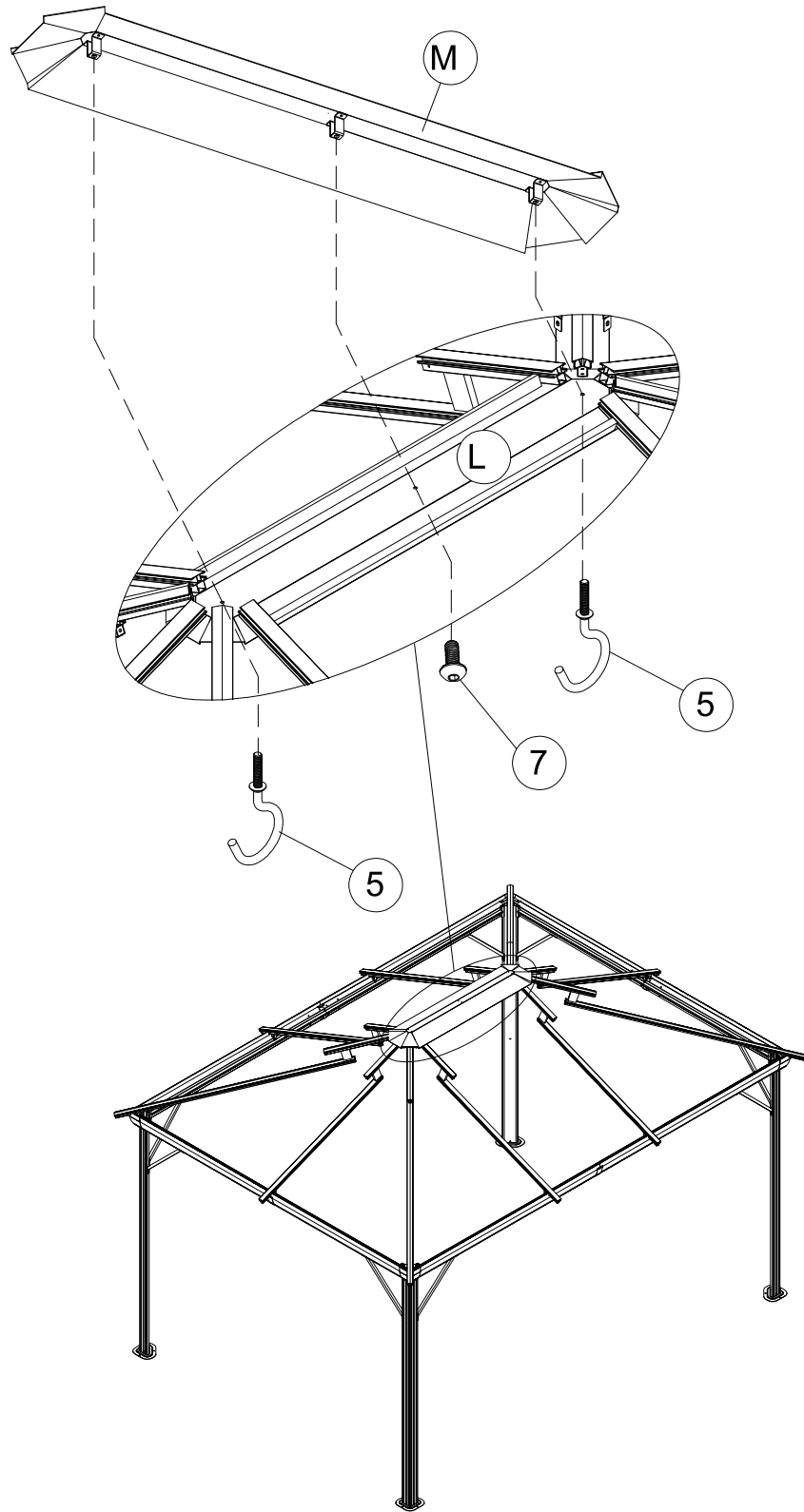


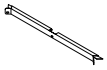
(7) 1x M6x25



(5) 2x

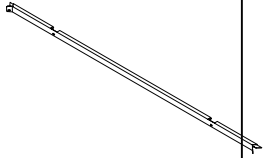
<9>





<10>

G5 2x



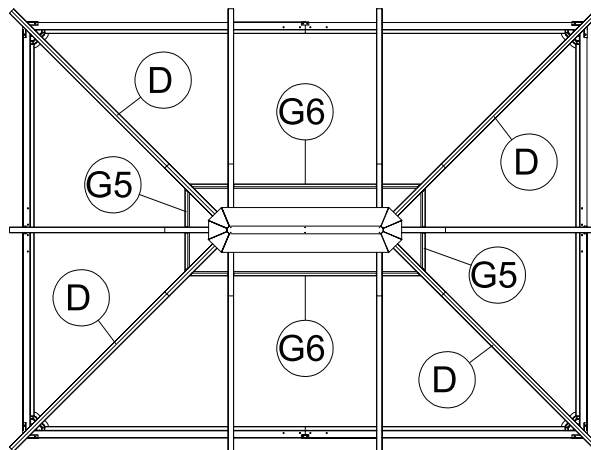
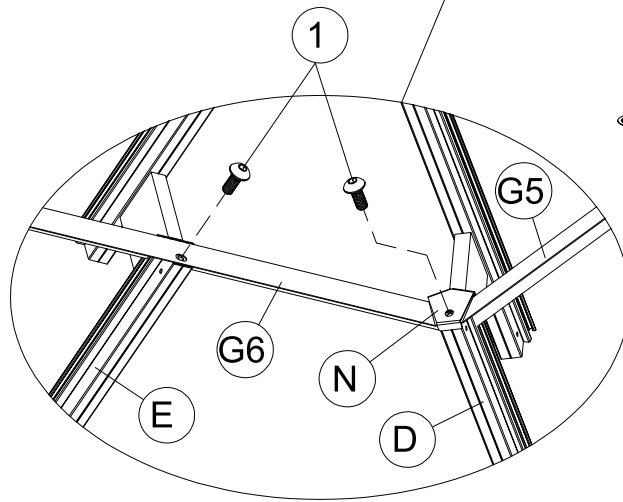
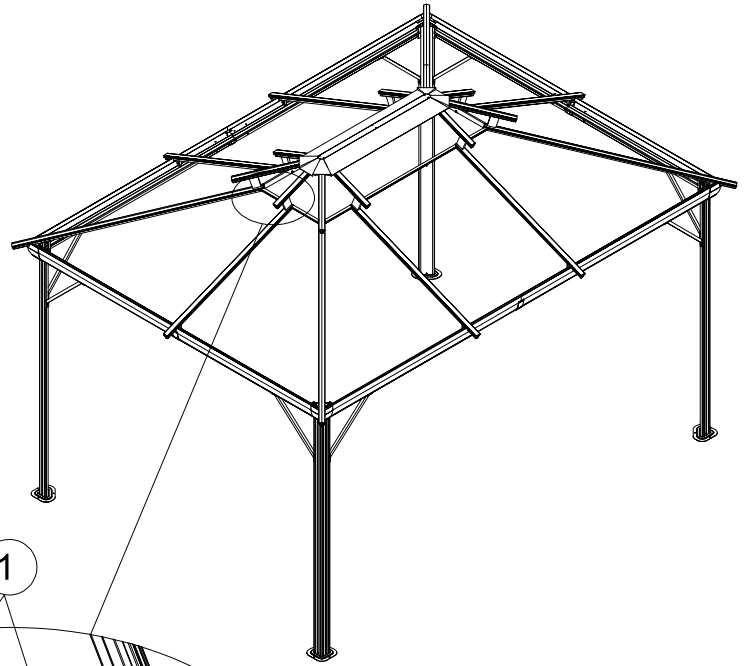
G6 2x



N 4x



1 10x M6x16



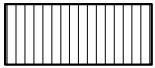


<11>

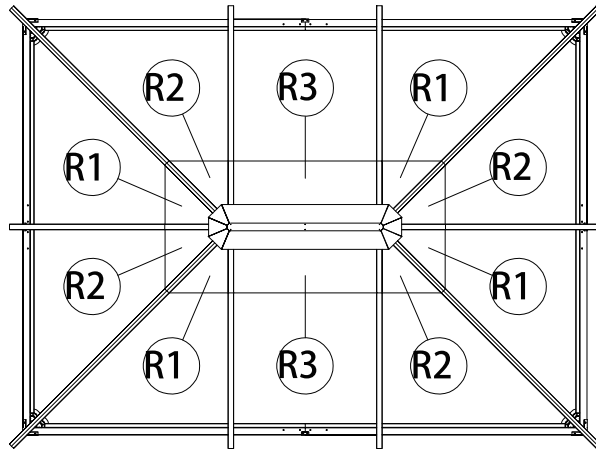
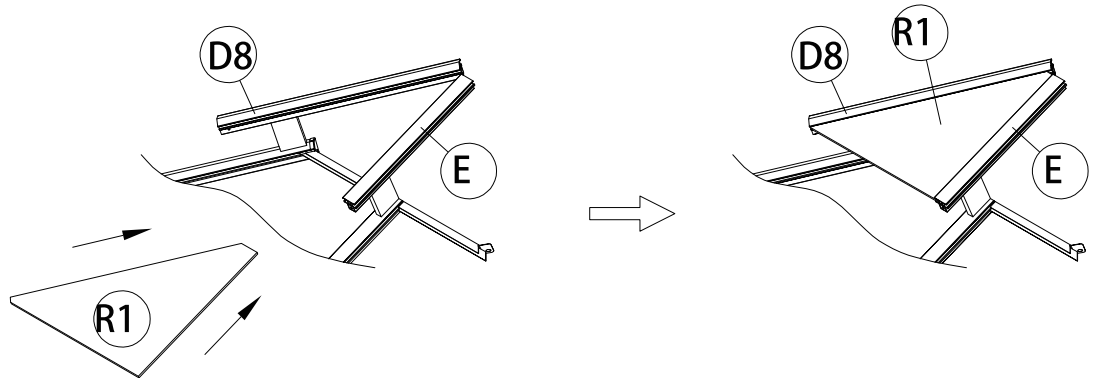
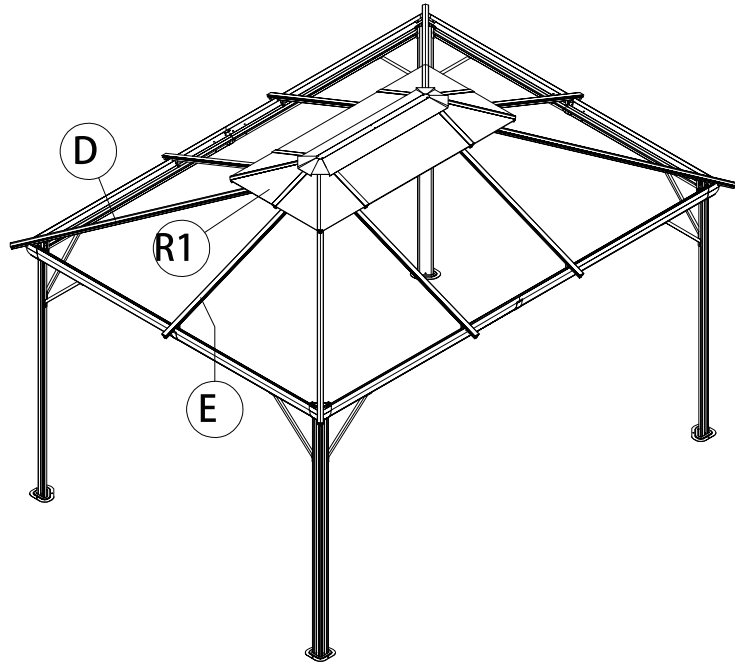
R1 4x



R2 4x



R3 2x





<12>



G3 2x



G4 2x



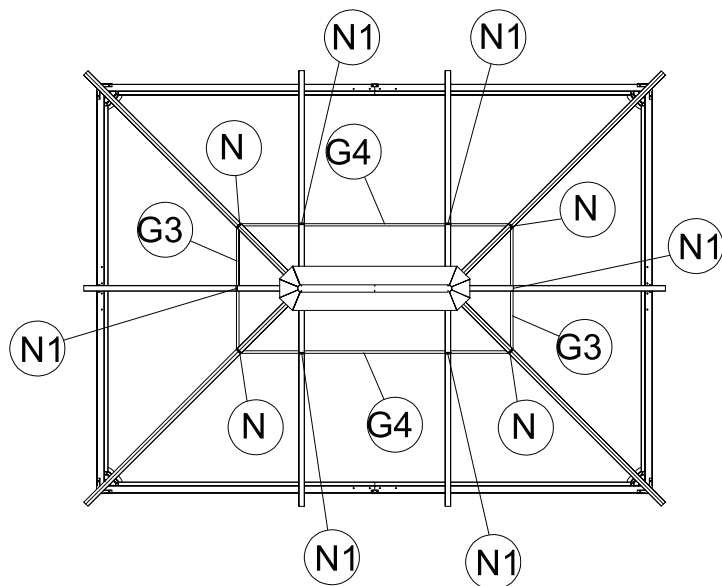
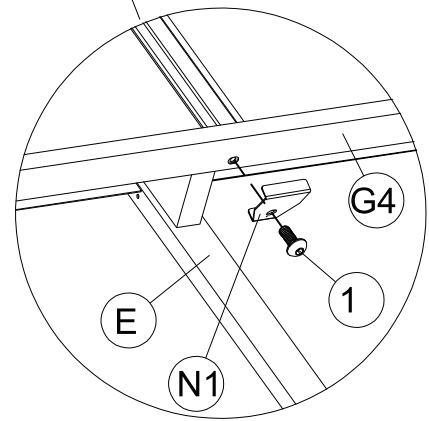
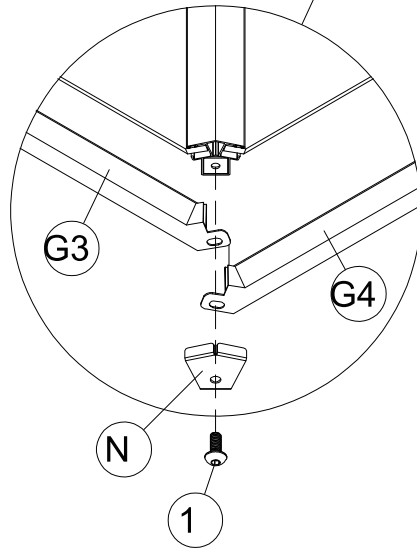
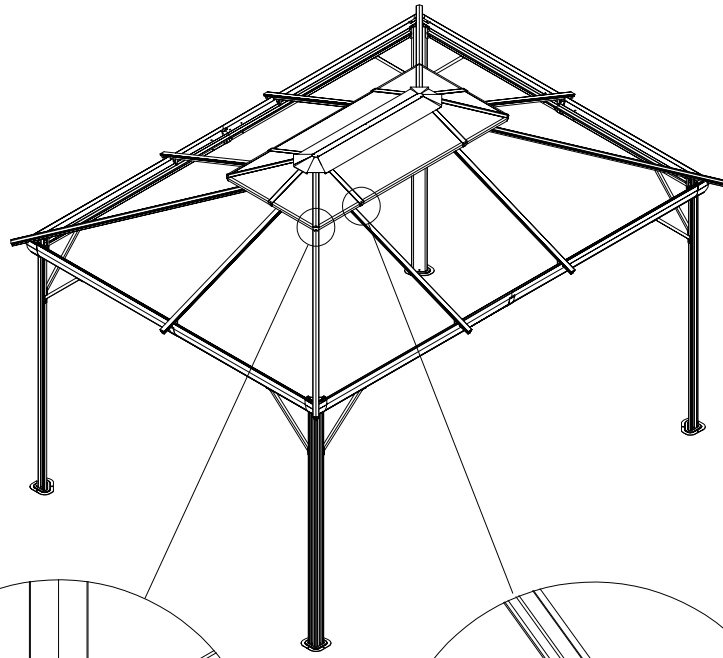
N 4x



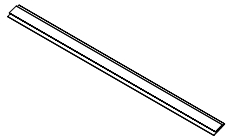
N1 6x



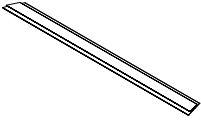
1 10x M6x16



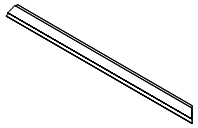
<13>



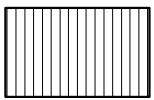
F7 2x



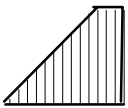
F8 4x



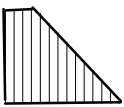
F9 4x



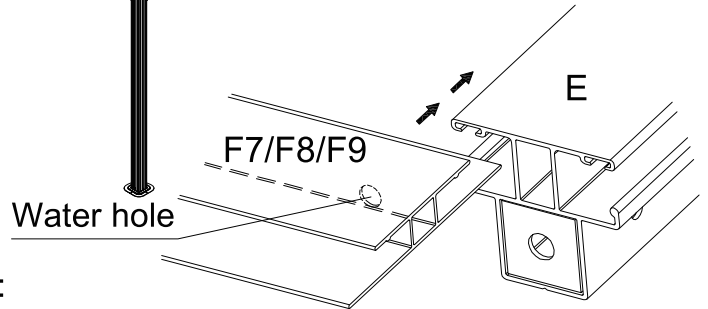
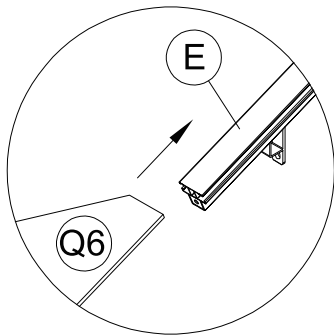
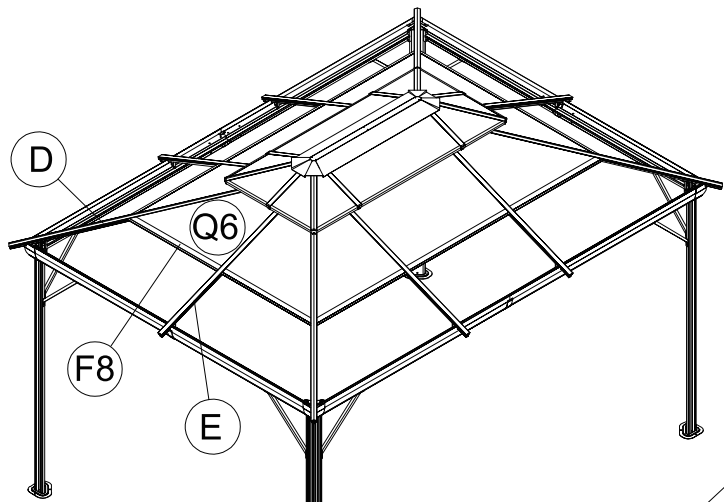
Q5 2x



Q6 4x

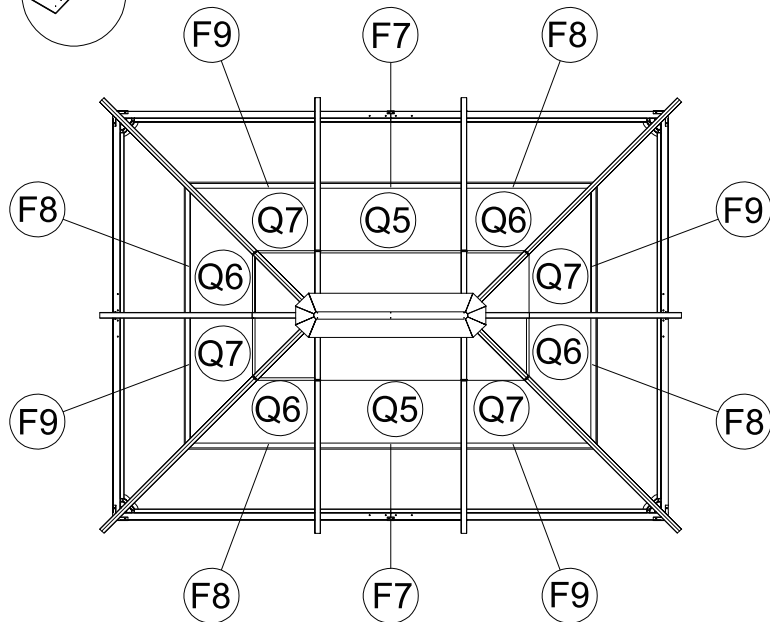
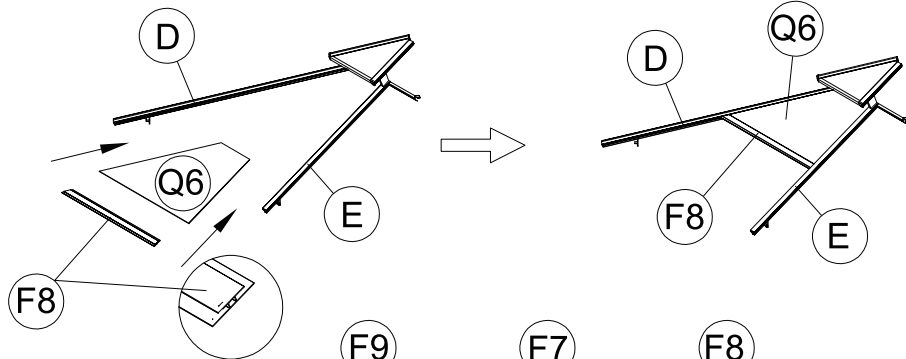


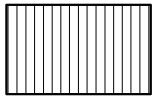
Q7 4x



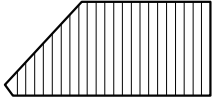
Note:

1. When F8 or F9 or F7 slide into the E, the wide side must be face down and narrow side face up, otherwise will cause water leaking
2. F7 or F8 or F9 the water holes inside of the tube must be face up. otherwise will cause water leaking

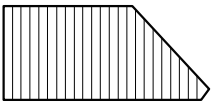




Q5 2x

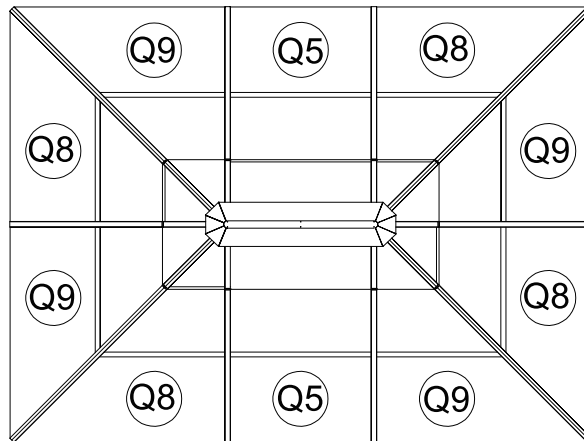
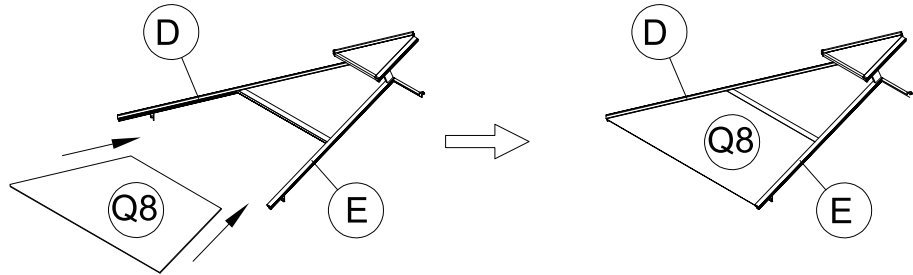
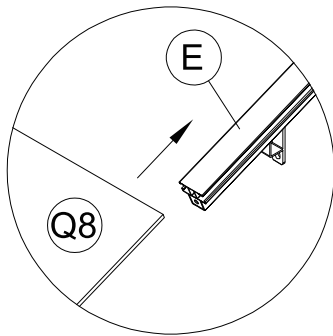
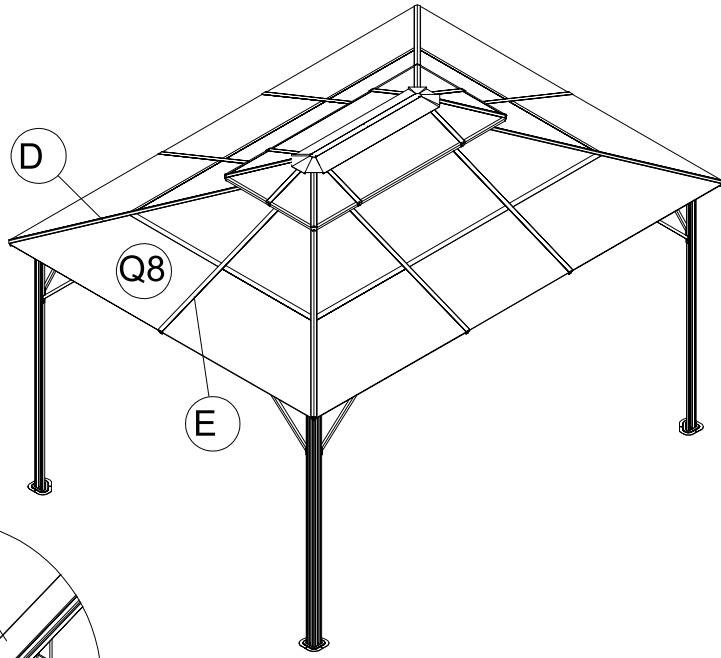


Q8 4x



Q9 4x

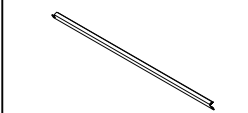
<14>



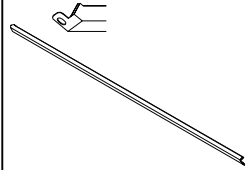
16

Remove the protective film before installing the PC board. Note the installation direction before removing the film

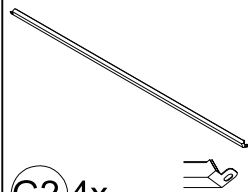
<15>



G 2x



G1 4x



G2 4x



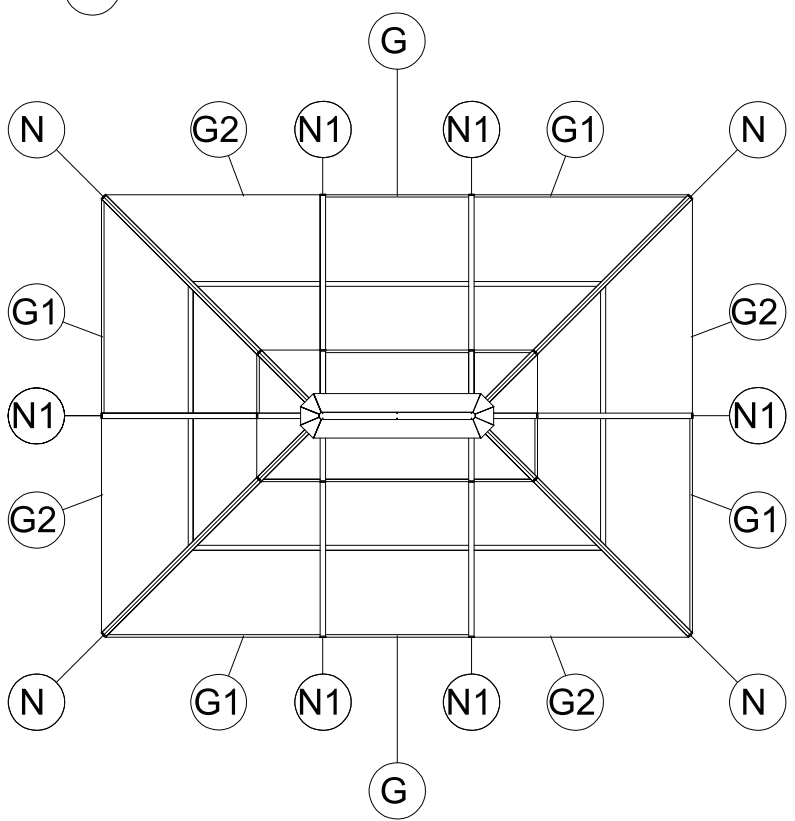
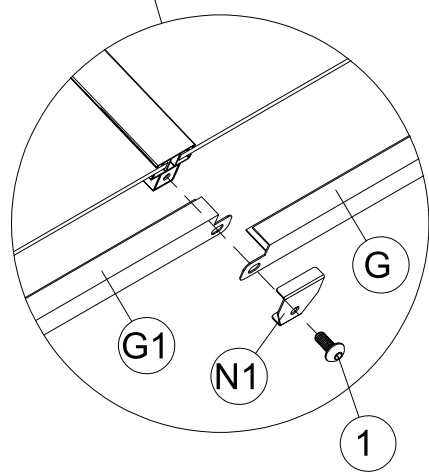
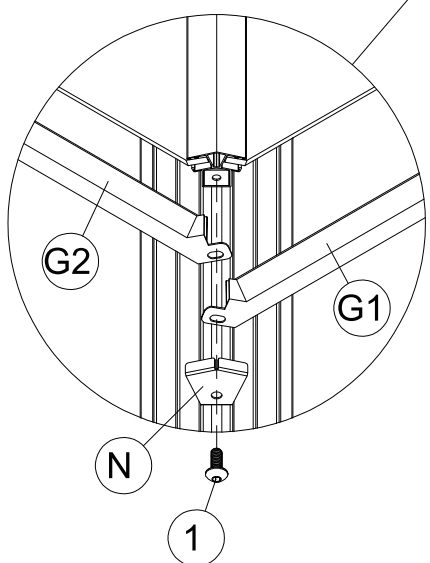
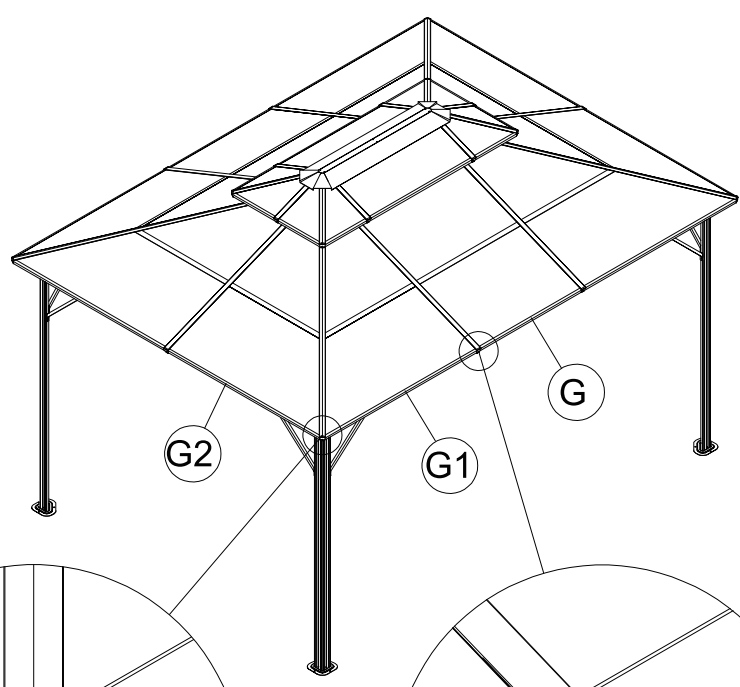
N 4x

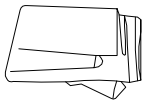


N1 6x



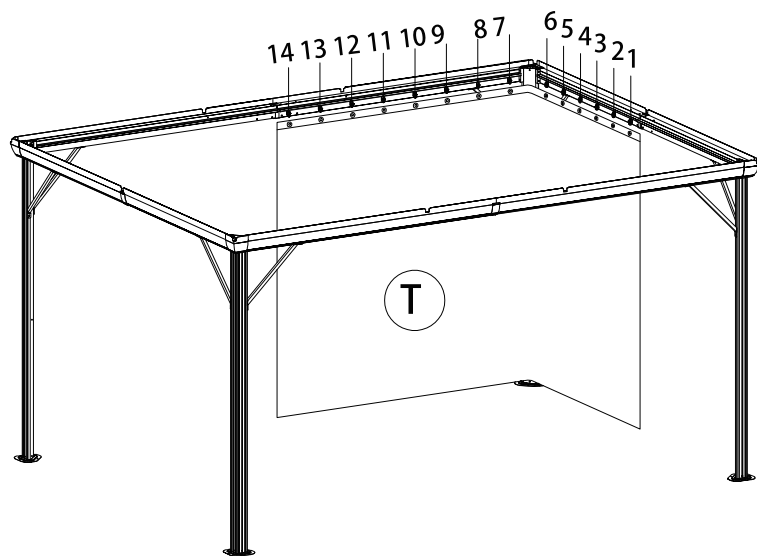
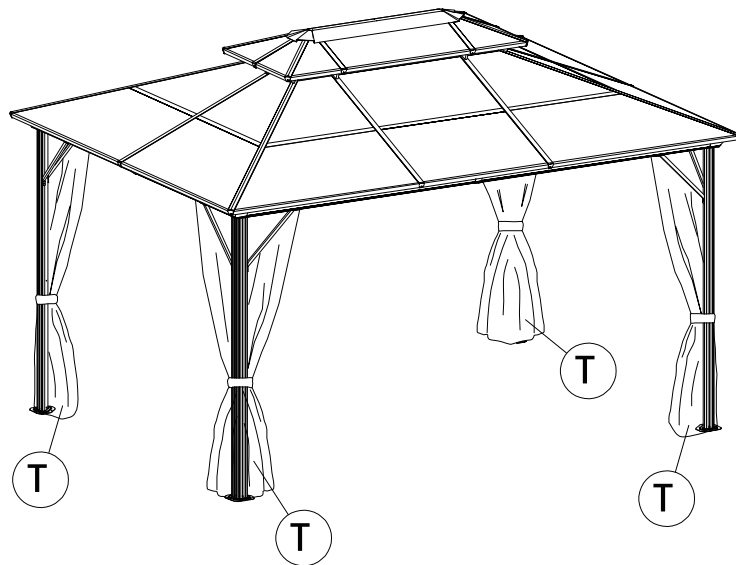
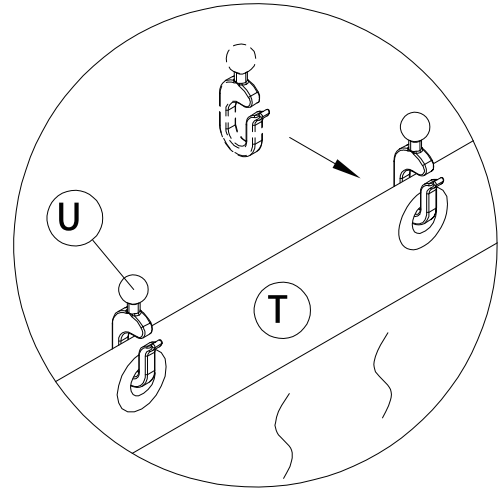
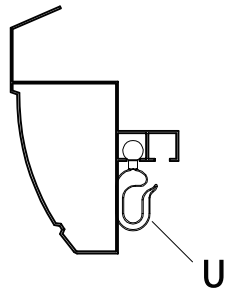
1 10x M6x15

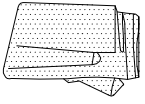




<16>

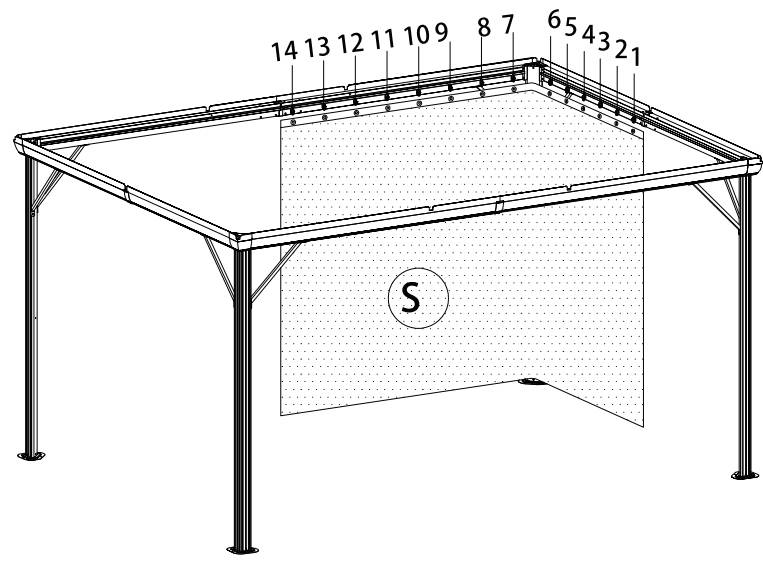
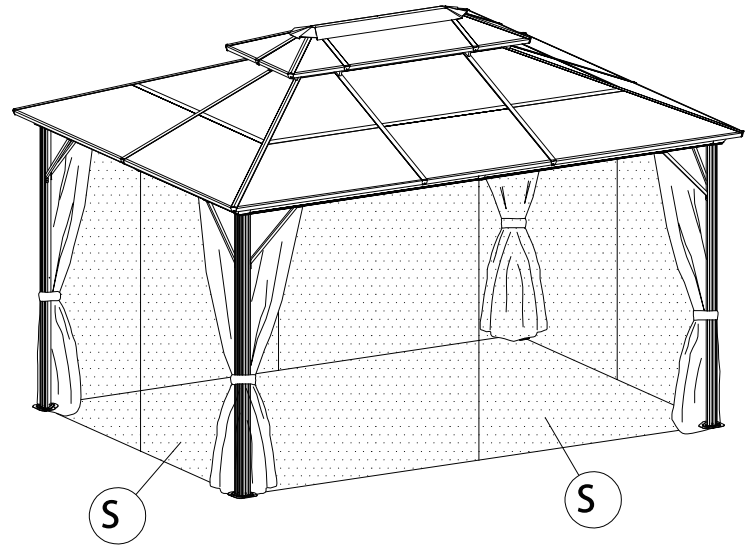
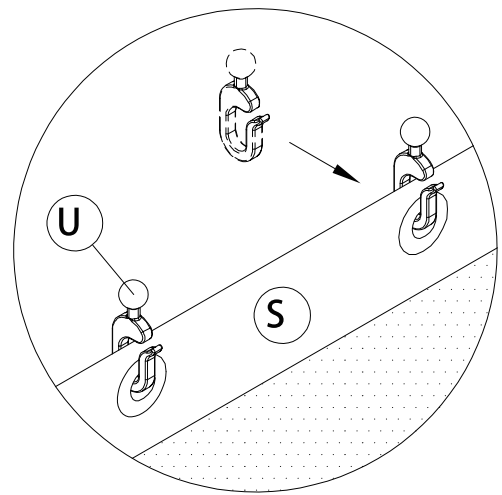
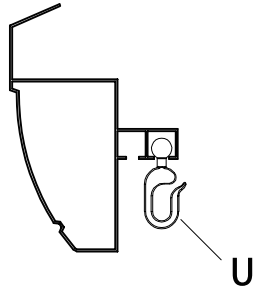
T 4x





<17>

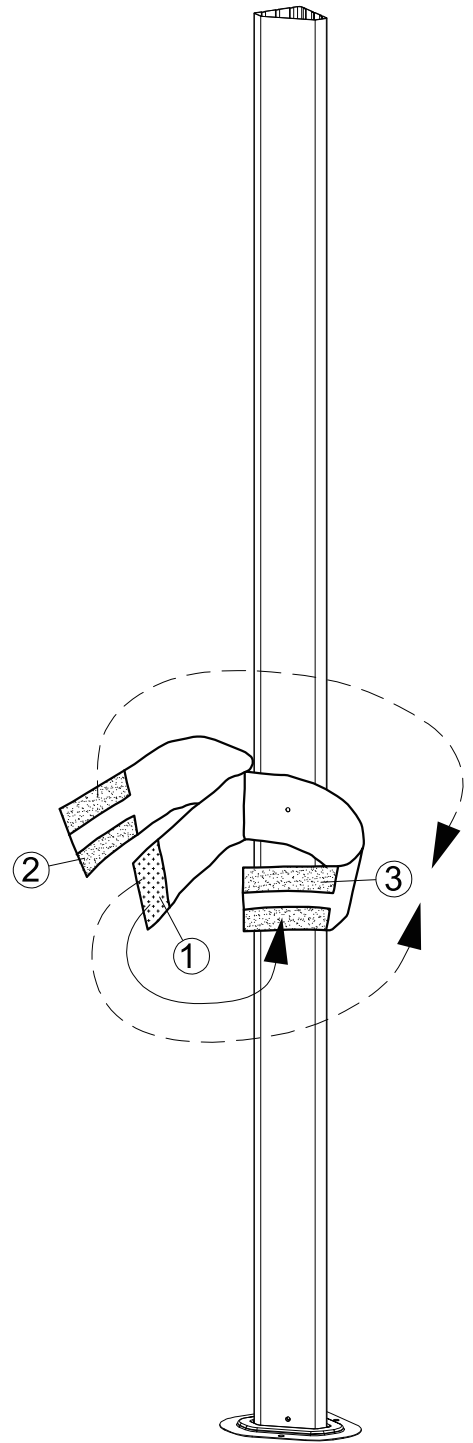
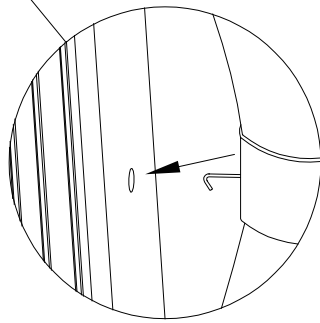
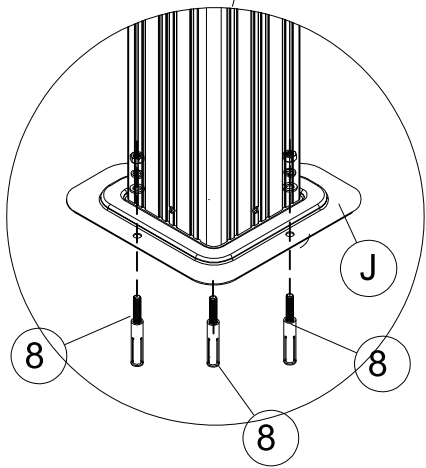
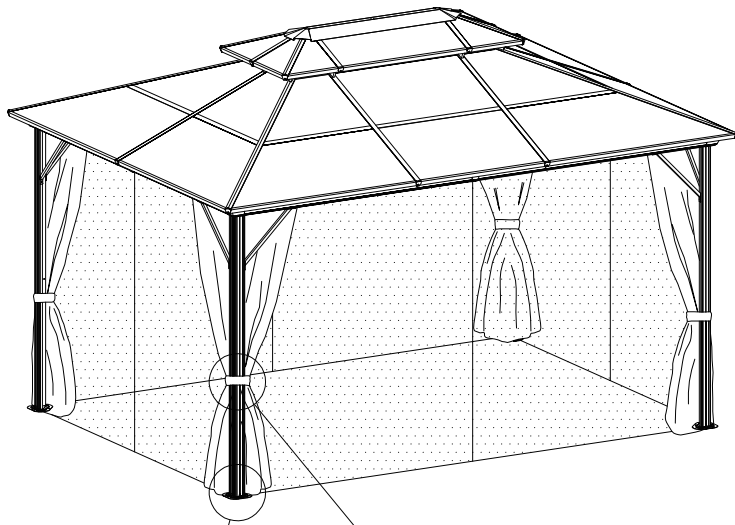
S 4x





<18>

8 12x



Note:

1. 1 stick 2 tie S and T together
2. 1 stick 3 towards back tie T
3. 1 stick 3 towards front tie S

BOX1		BOX2		BOX3	
Part #	Qty	Part #	Qty	Part #	Qty
A	4	B	2	Q5	4
D	4	B1	2	Q6	4
E	6	C	2	Q7	4
F7	2	C1	2	Q8	4
F8	4	D8	4	Q9	4
F9	4	G4	2	R1	4
G	2	G6	2	R2	4
G1	4	K	4	R3	2
G2	4	K1	2	T	4
G3	2	K2	2		
G5	2	P	4		
H	4	X	6		
H1	4	X1	8		
		X2	8		
		X3	4		
		L	1		
		M	1		
		N	12		
		N1	12		
		S	4		
		U	112		
		J	4		
		V	4		
		1-9	1		