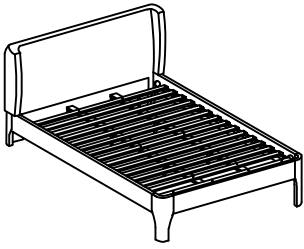


# ASSEMBLY INSTRUCTION

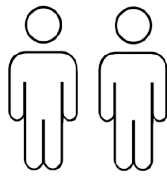
## KING



### + Do Not Use Power Tools



### + Suggested Adults



### NOTE:

- 1 Read instructions cover to cover.
- 2 Save all packaging until assembly is completed.

### 1 IMPORTANT SAFETY INFORMATION

**Do not** assemble the product if any of the following parts arrived damaged:

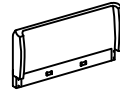
- Part # - Side Rails
- Part # - Center Support Bar
- Part # - Support Legs
- Part # - Slats

### 2 IMPORTANT ASSEMBLY INFORMATION

**Assembly Step** Ensure the side rail bracket is fully hooked onto bolt loosely threaded with both washers on the **OUTSIDE** of the bracket first, then proceed to fully tightening all 4 corners.

### + Parts Included

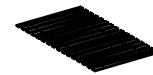
- |                          |                          |                           |
|--------------------------|--------------------------|---------------------------|
| ① Headboard<br>(1 of pc) | ② Footboard<br>(1 of pc) | ③ Side Rail<br>(2 of pcs) |
|--------------------------|--------------------------|---------------------------|



- |                                     |                               |                             |
|-------------------------------------|-------------------------------|-----------------------------|
| ④ Headboard Leg (L/R)<br>(2 of pcs) | ⑤ Footboard Leg<br>(2 of pcs) | ⑥ Center Rail<br>(2 of pcs) |
|-------------------------------------|-------------------------------|-----------------------------|

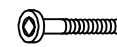


- |                             |                             |                         |
|-----------------------------|-----------------------------|-------------------------|
| ⑦ Support Leg<br>(4 of pcs) | ⑧ 14 Pcs Slat<br>(1 of set) | ⑨ Top Slat<br>(1 of pc) |
|-----------------------------|-----------------------------|-------------------------|

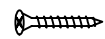


### + Hardware Included

- |                                 |                                 |                                       |
|---------------------------------|---------------------------------|---------------------------------------|
| A JCBC<br>M6x40mm<br>(8 of pcs) | B JCBC<br>M6x50mm<br>(6 of pcs) | C Allen Key<br>M4 x 65mm<br>(1 of pc) |
|---------------------------------|---------------------------------|---------------------------------------|



- |   |                                     |                                   |
|---|-------------------------------------|-----------------------------------|
| D Plastic Dowell<br>25mm<br>(12 of pcs) | E CSK<br>M3.5 x 16mm<br>(40 of pcs) | F CSK<br>M4 x 32mm<br>(40 of pcs) |
|---|-------------------------------------|-----------------------------------|



- |                                |                             |                         |
|--------------------------------|-----------------------------|-------------------------|
| G Spring Washer<br>(10 of pcs) | H Flat Washer<br>(4 of pcs) | I Cap Nut<br>(6 of pcs) |
|--------------------------------|-----------------------------|-------------------------|



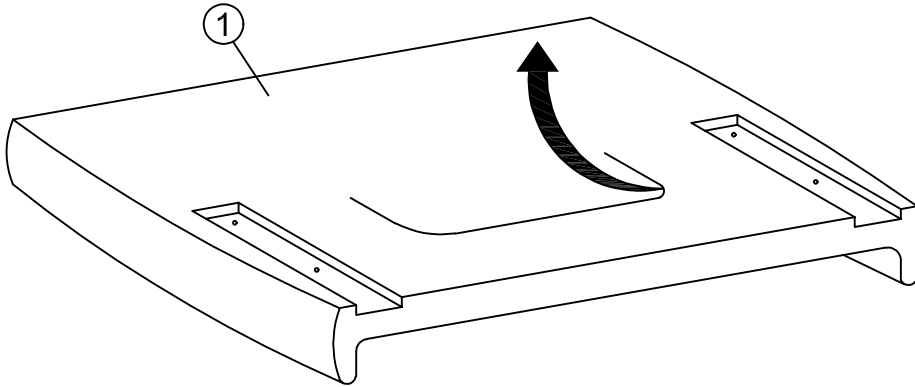
- |                          |                             |
|--------------------------|-----------------------------|
| J Adjuster<br>(4 of pcs) | K Metal Plate<br>(6 of pcs) |
|--------------------------|-----------------------------|



# ASSEMBLY INSTRUCTION

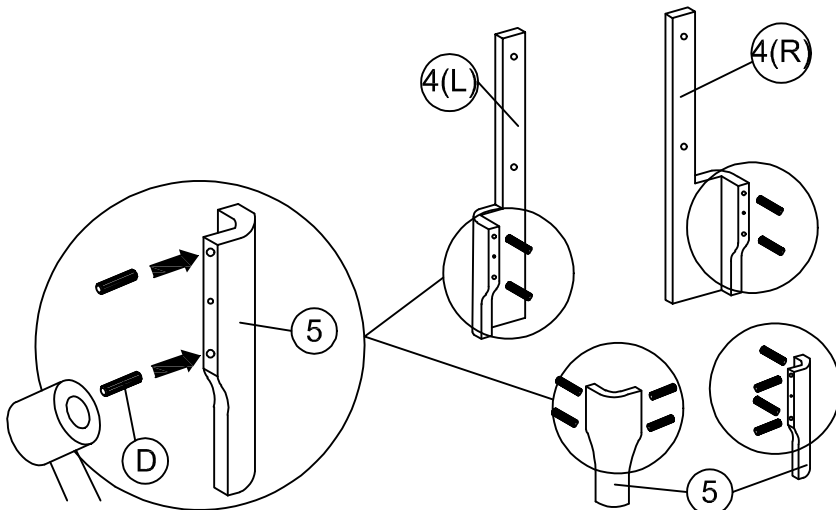
## KING

①



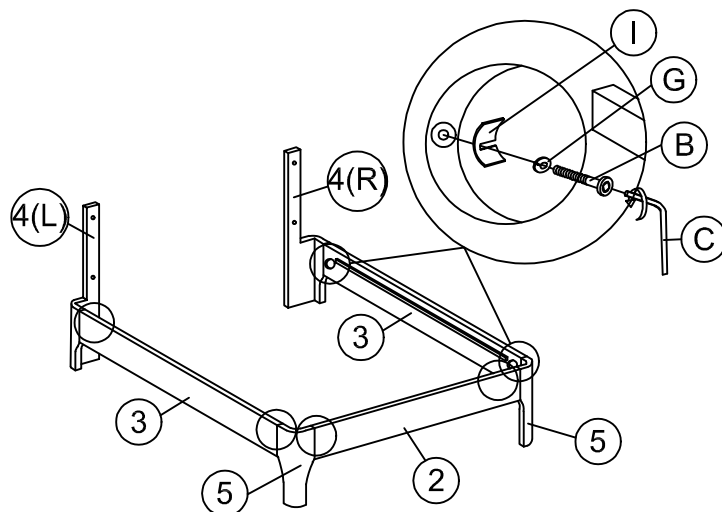
BACK VIEW

②



FRONT VIEW

③

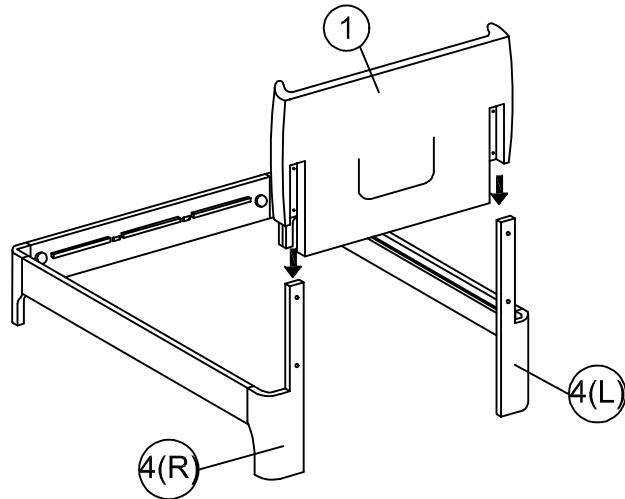


FRONT VIEW

# ASSEMBLY INSTRUCTION

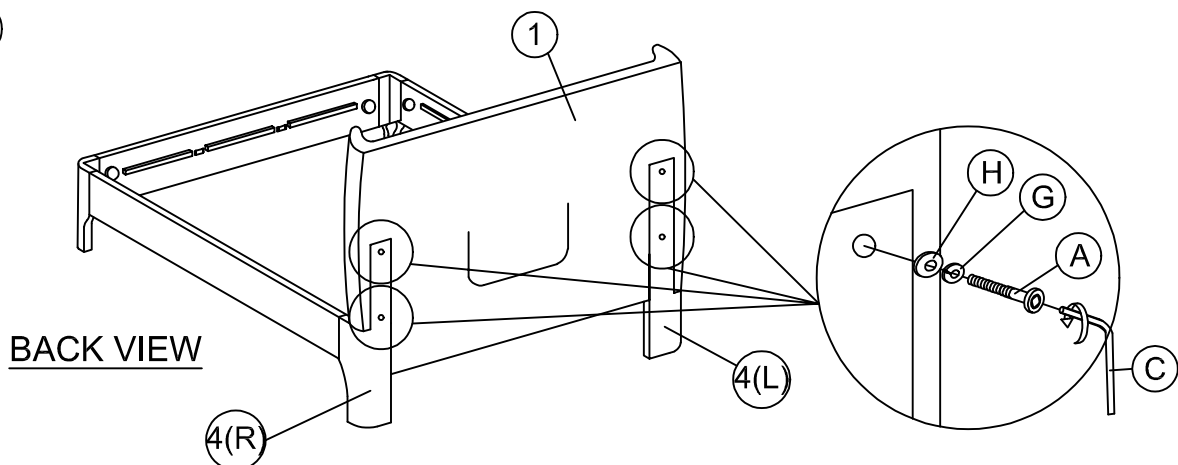
## KING

④



BACK VIEW

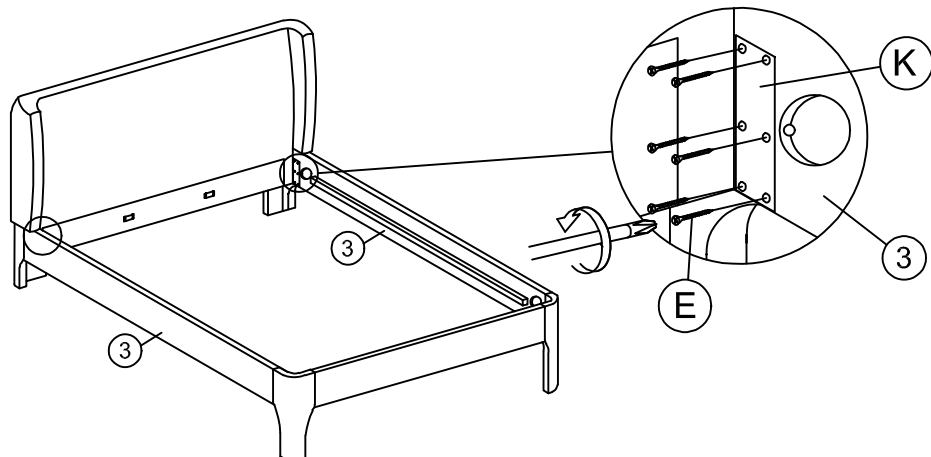
⑤



BACK VIEW

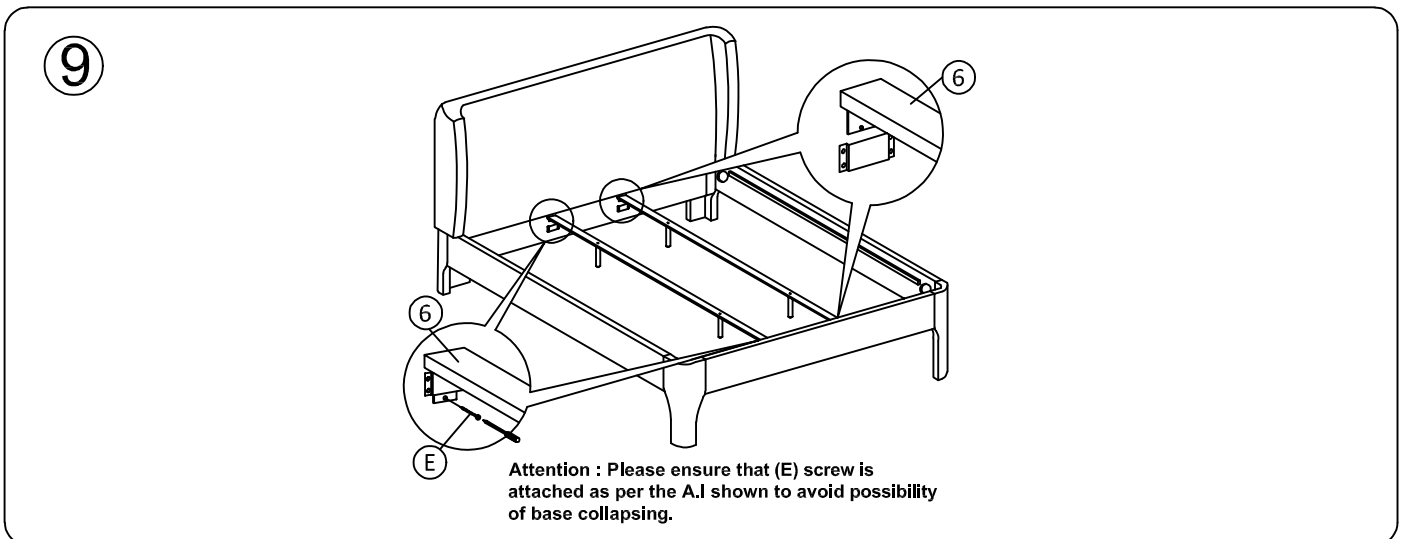
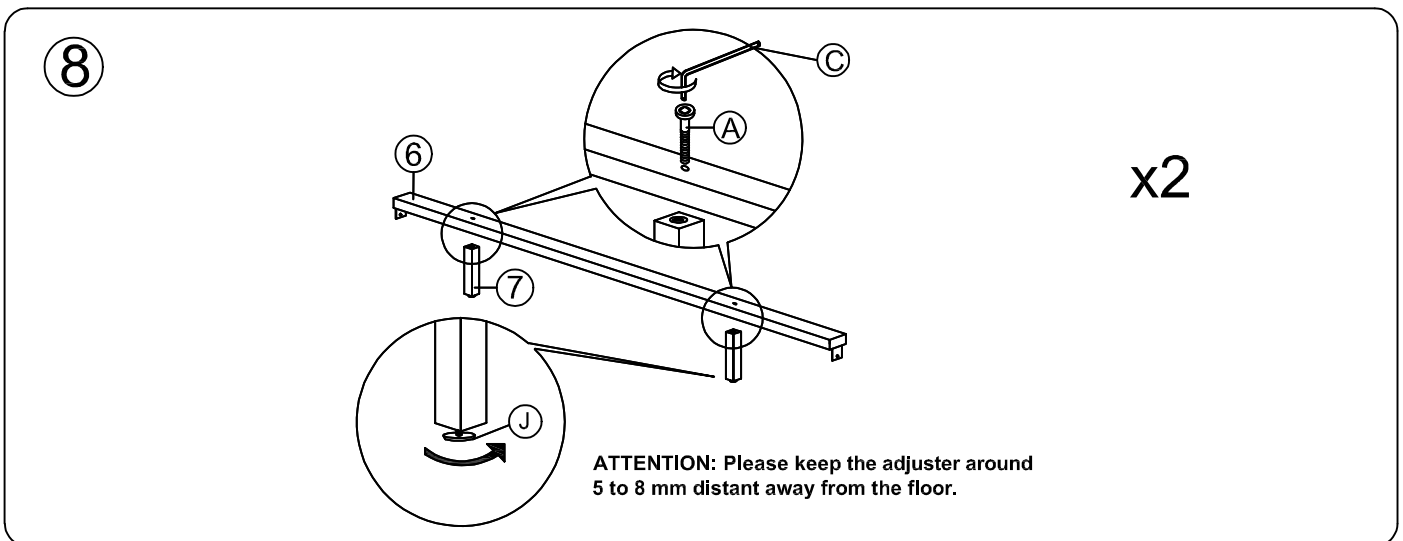
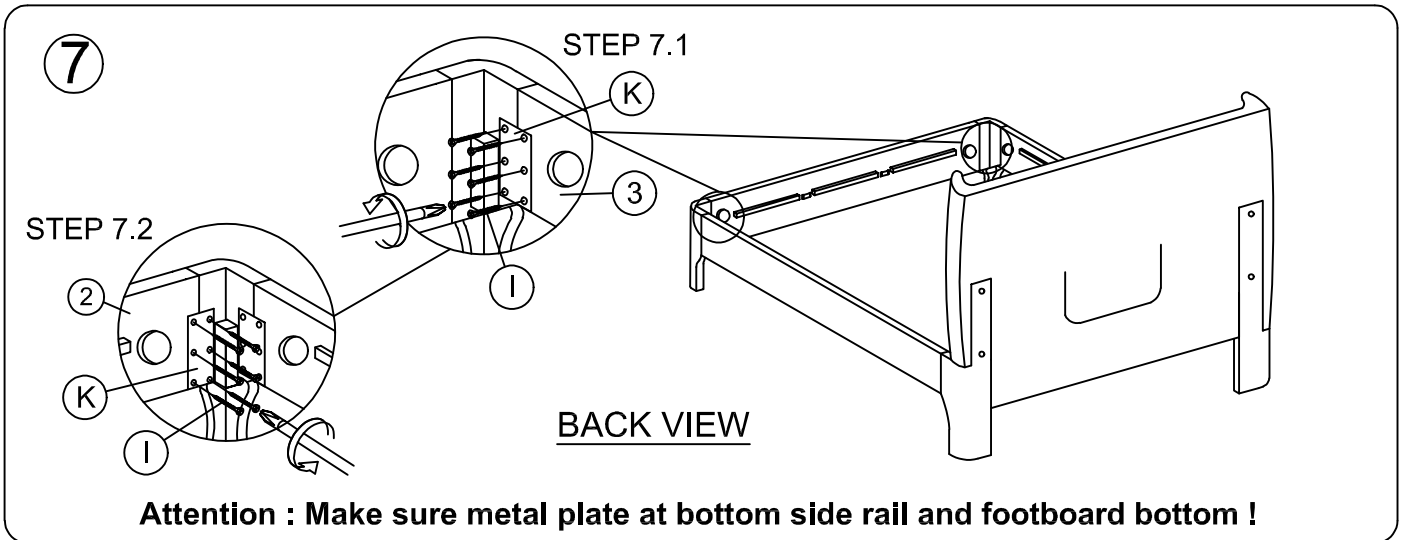
⑥

**Attention : Make sure metal plate at bottom side rail and headboard bottom !**



# ASSEMBLY INSTRUCTION

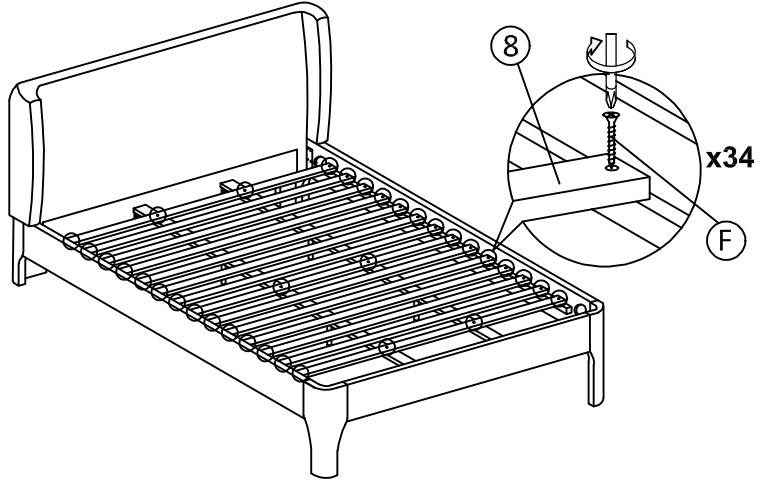
## KING



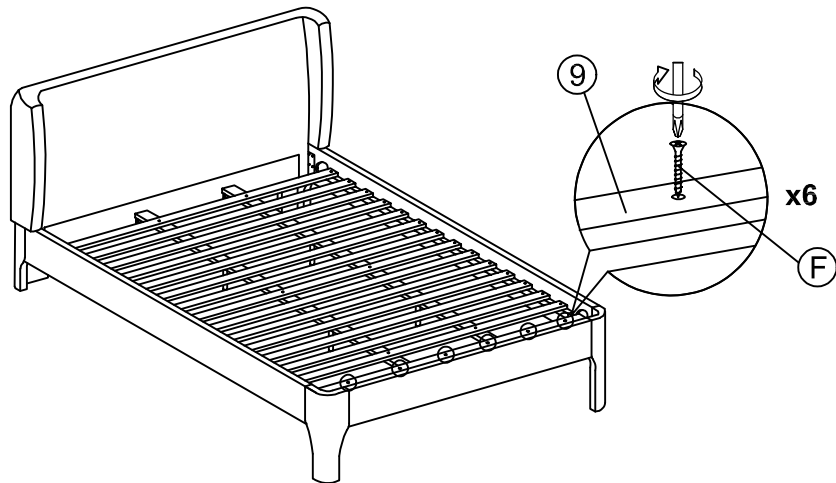
# ASSEMBLY INSTRUCTION

## KING

10



11



12

