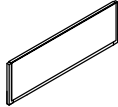
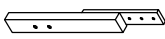
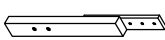






ASSEMBLY INSTRUCTIONS

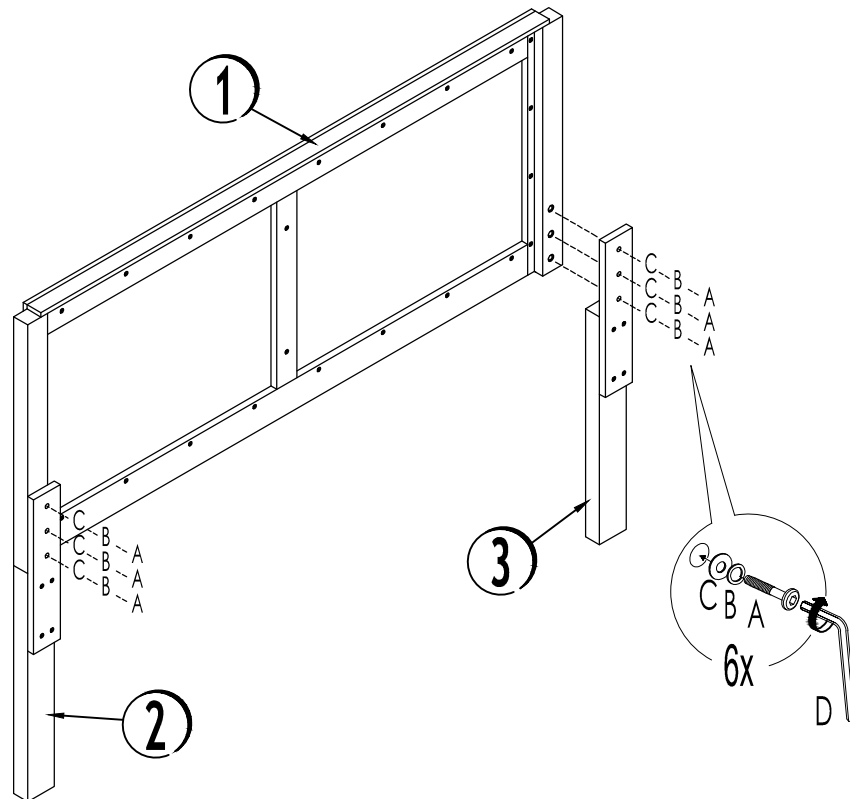
QUEEN PANEL HEADBOARD

Thank you for purchasing this quality product. Be sure to check all packing materials carefully for small parts, which may have come loose inside the carton during shipment. Identify and count all items and compare with the parts list and/or hardware list shown below.

PART LIST			
NO	DESCRIPTION	SKETCH	QTY
1	HEADBOARD		1 PC
2	HEADBOARD LEG (L)		1 PC
3	HEADBOARD LEG (R)		1 PC

HARDWARE LIST			
NO	DESCRIPTION	SKETCH	QTY
A	JCBB BOLT - M8 x 40mm		6 PCS
B	SPRING WASHER - M8		6 PCS
C	FLAT WASHER - M8 x 18mm		6 PCS
D	ALLEN KEY - M5		1 PC

BACK VIEW



IMPORTANT NOTE :

- * Place all wooden parts on a clean and smooth surface such as a rug or carpet to avoid the parts from being scratched.
- * Check to be sure that you have all parts and hardware.
- * Remove all wrapping materials, including staples & packing straps before you start to assemble.
- * Do not tighten all screws/bolts until all completely assembled.
- * Keep all hardware parts out of reach of children.