



General Guidelines

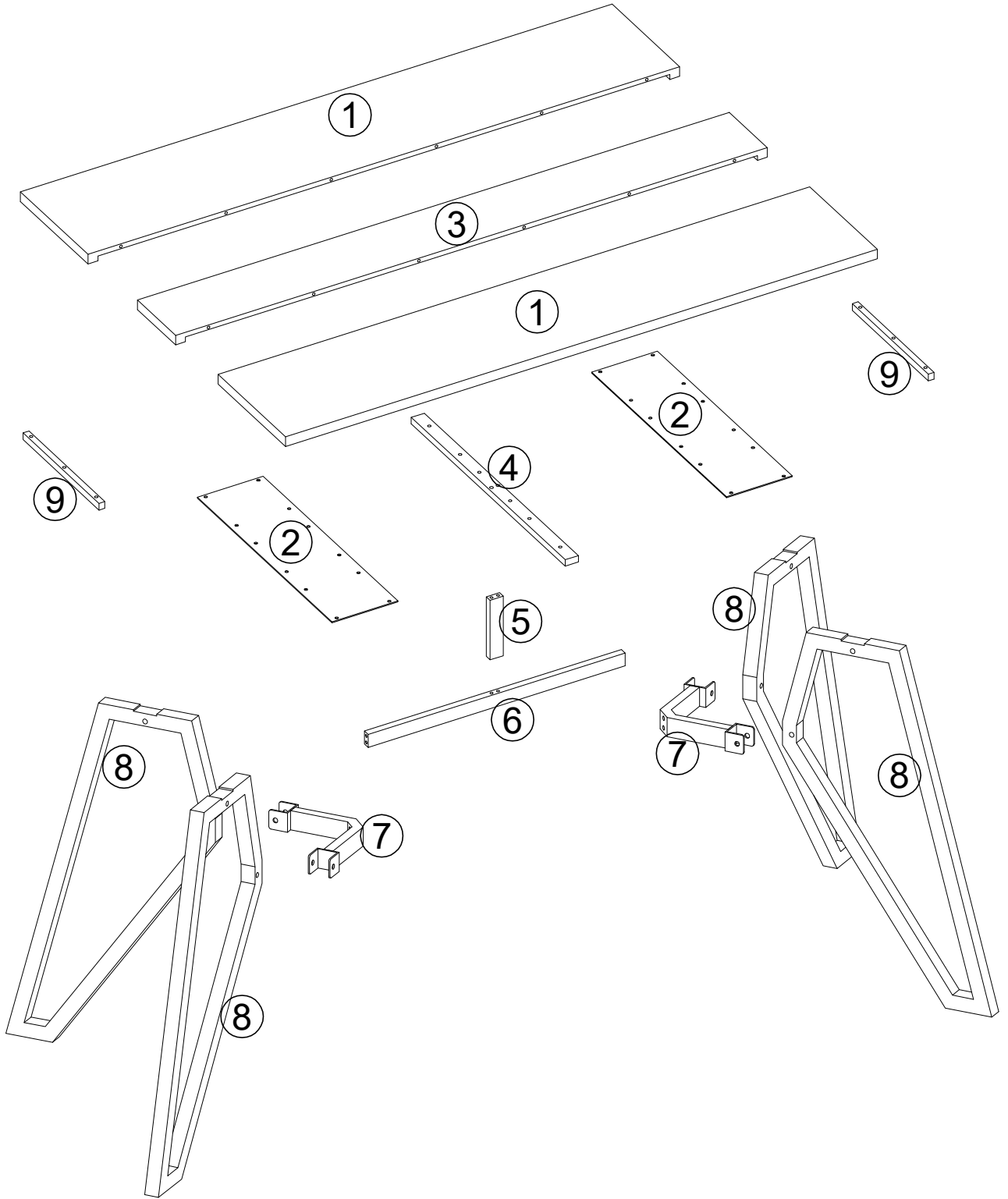
- Please read the following instruction carefully and use the product accordingly.
- Please keep this manual and hand it over when you transfer the product.
- This summary may not include every detail of all variations and considered steps. Please contact us when further information and help are needed.

Notes

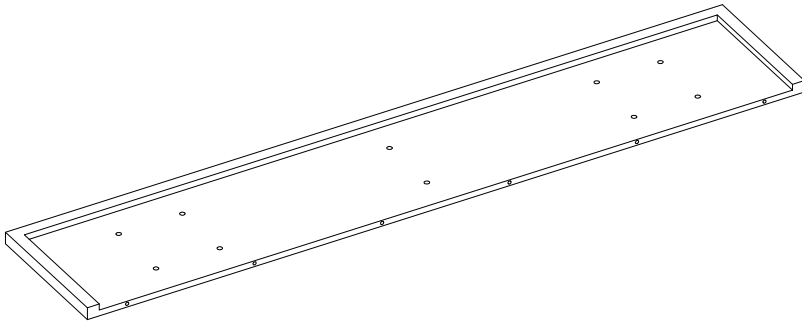
- The product is intended for indoor use only. The product must be assembled and used in accordance with the provisions of the manual. Personal injury and/or damage to product may occur if products are used outside of their intended purposes and/or if products have been changed/modified from their original design. The seller does not assume any responsibility or liability with respect to any injury/damage caused by incorrect assembly or improper use.
- Avoid long-term exposure to humid environments to prevent mildew.
- Keep the product away from fire sources and high temperatures. Do not expose the product to direct sunlight.
- Do not place any hot objects on the surface of the product.
- If there are any defective or missing parts after unpacking, please cease assembly immediately and contact us.
- Please assemble the item on a spacious surface and do not place the unwrapped product directly on the ground to avoid product damage.
- Please do not stand or sit on the wooden boards.
- Please wear gloves during the assembly and/or disassembly process to avoid scratches from any sharp edges.
- Please match the corresponding part and fitting based on the part number in the manual.
- If the part does not match with the fitting, please check the piece as specified in this manual.
- During assembly, first loosely align all screws with the corresponding pre-drilled holes and then tighten the screws one by one.
- Periodically inspect screw tightness while the product is in use. If necessary, retighten to ensure structural integrity.
- If you accidentally spill water or another liquid on the surface, immediately wipe clean with a dry towel.
- Please keep the product away from sharp, pointed objects and corrosive substances to prevent product damage.
- Please place this item on level, solid ground during use.

Warnings

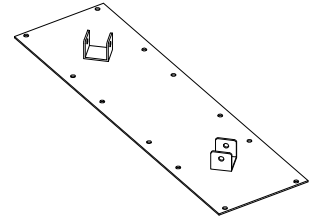
- During assembly, keep all small parts out of the reach of children. It may be fatal if swallowed or inhaled.
- Children should not climb or play on the product in order to avoid tipping over the furniture and causing serious injury.
- To avoid the potential dangers of suffocation, please keep all parts and packaging (film, plastic bags, foam, etc.) away from babies and children.
- Keep sharp objects and corrosive items away from the product to avoid any damage or injury.
- Do not shake or move violently during use to avoid tipping over the product.



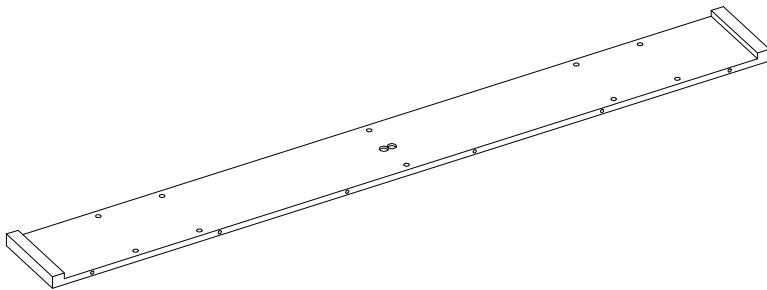
Part list



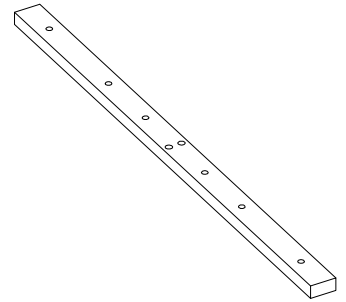
①×2



②×2



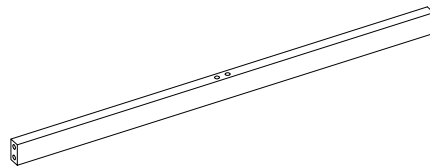
③×1



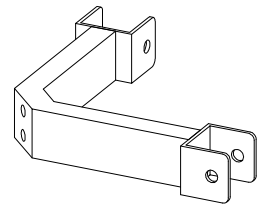
④×1



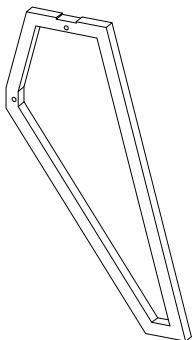
⑤×1



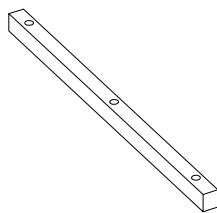
⑥×1



⑦×2

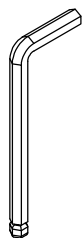


⑧×4

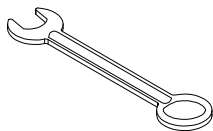


⑨×2

Hardware list



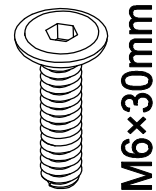
(A) × 1



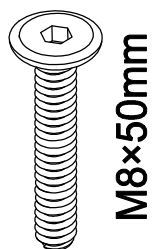
(B) × 1



(C) × 24 + 1



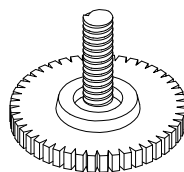
(D) × 12 + 1



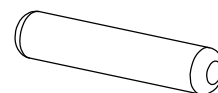
(E) × 16 + 1



(F) × 8 + 1

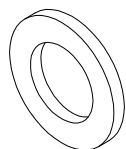


(G) × 4



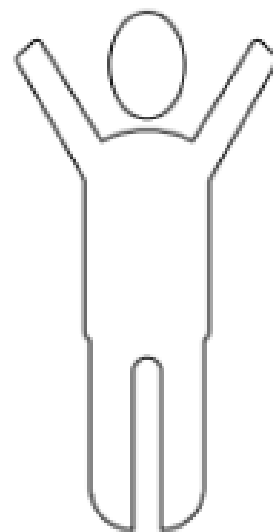
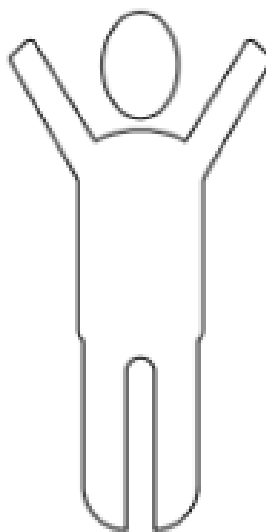
M8 × 30mm

(H) × 12 + 1



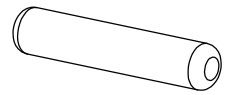
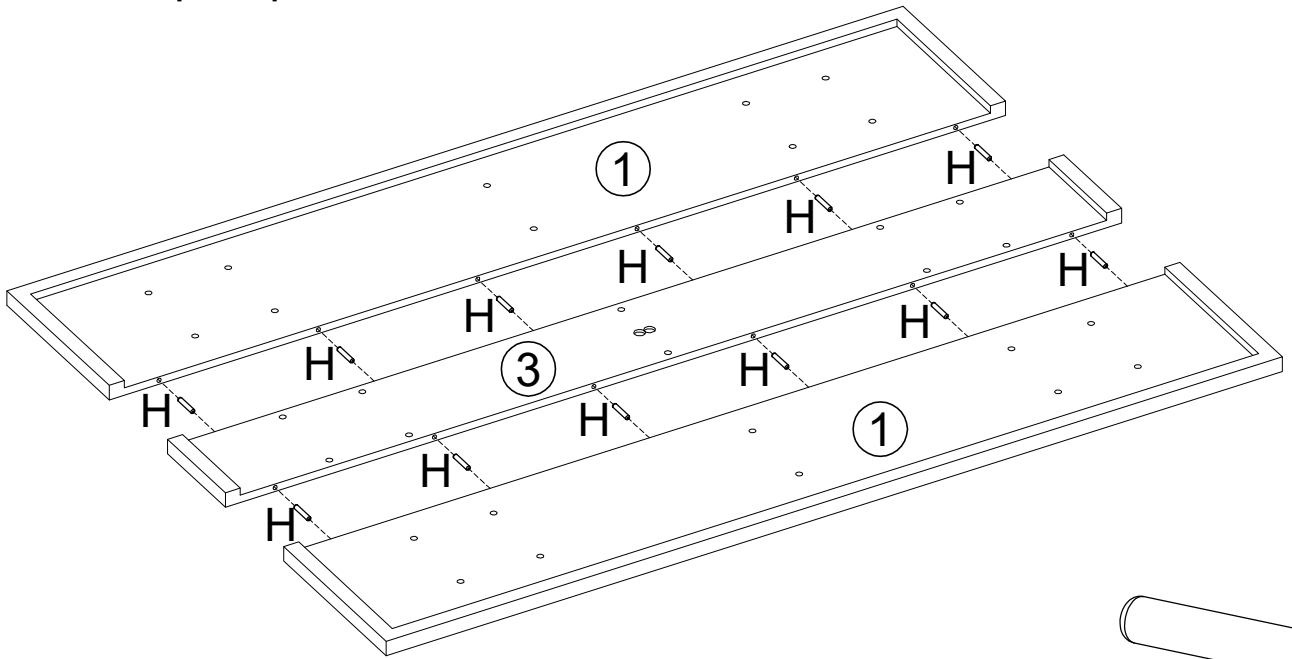
(I) × 8 + 1

Requires



1

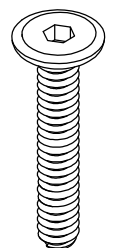
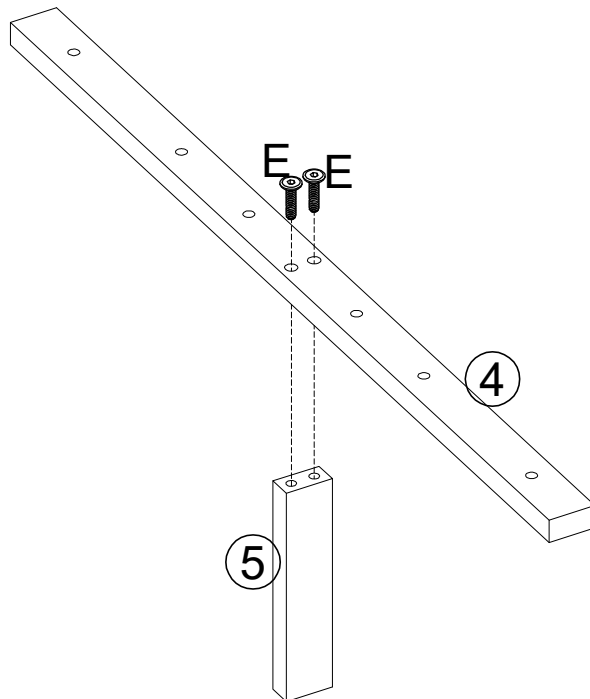
This step requires a clean, level surface.



M8×30mm

Ⓜ×12

2

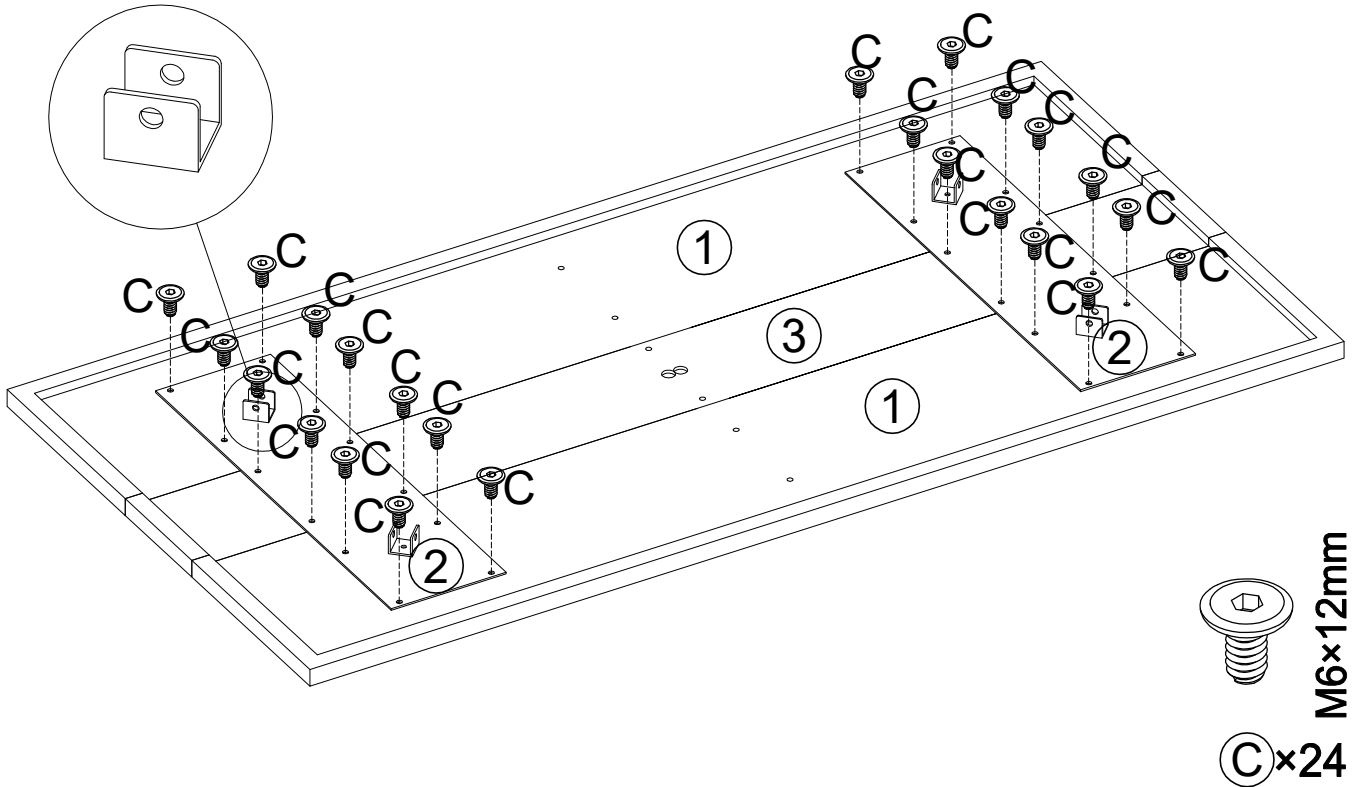


M8×50mm

Ⓜ×2

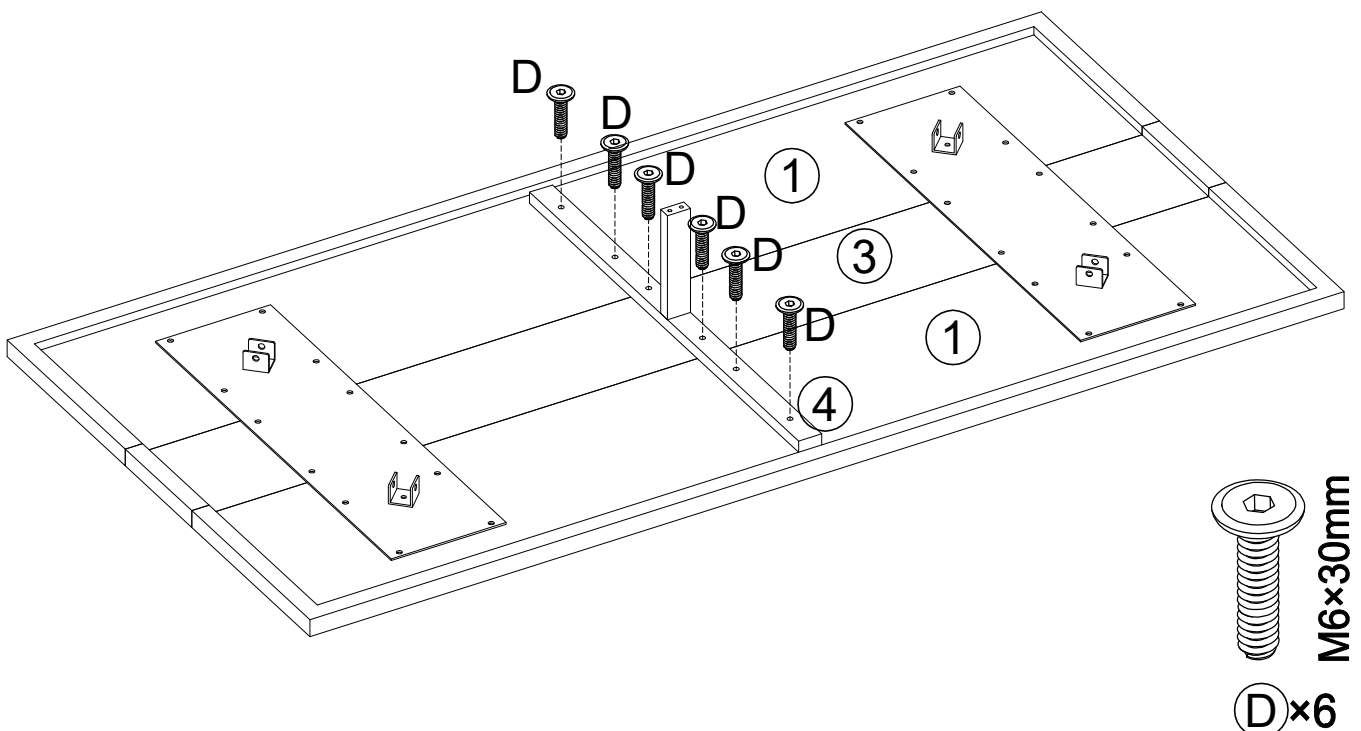
3

Note the orientation of the iron sheet of part 2.
When tightening plates 1 and 3, try not to leave gaps.



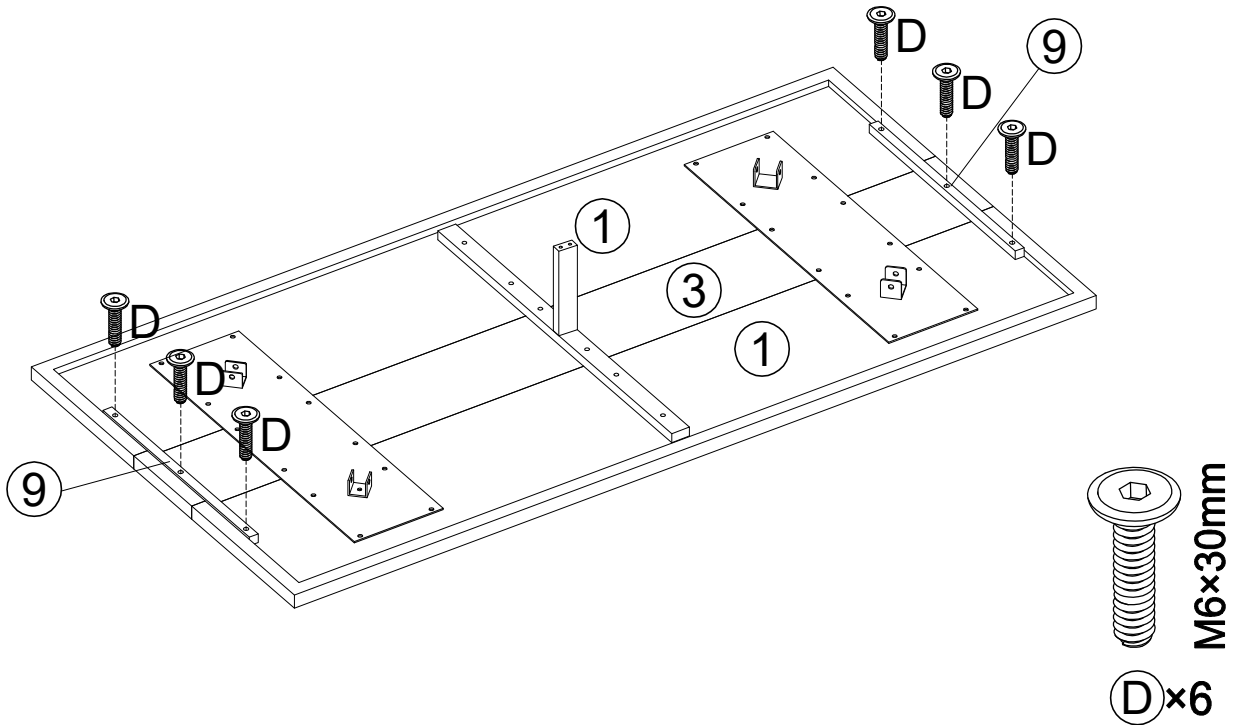
4

Note the orientation of the iron sheet of part 4.
When tightening plates 1 and 3, try not to leave gaps.



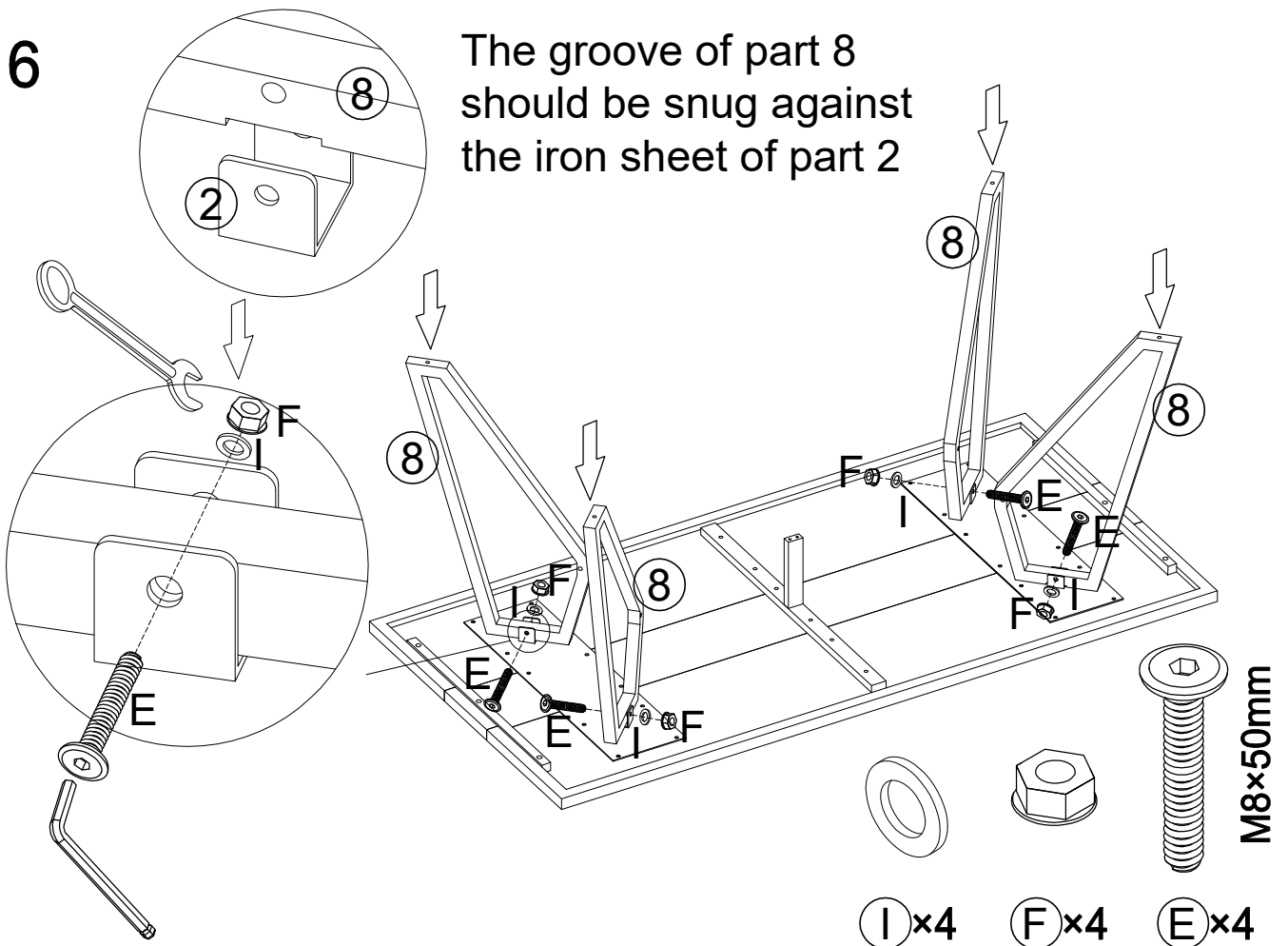
5

Note the orientation of the iron sheet of part 9.
When tightening plates 1 and 3, try not to leave gaps.



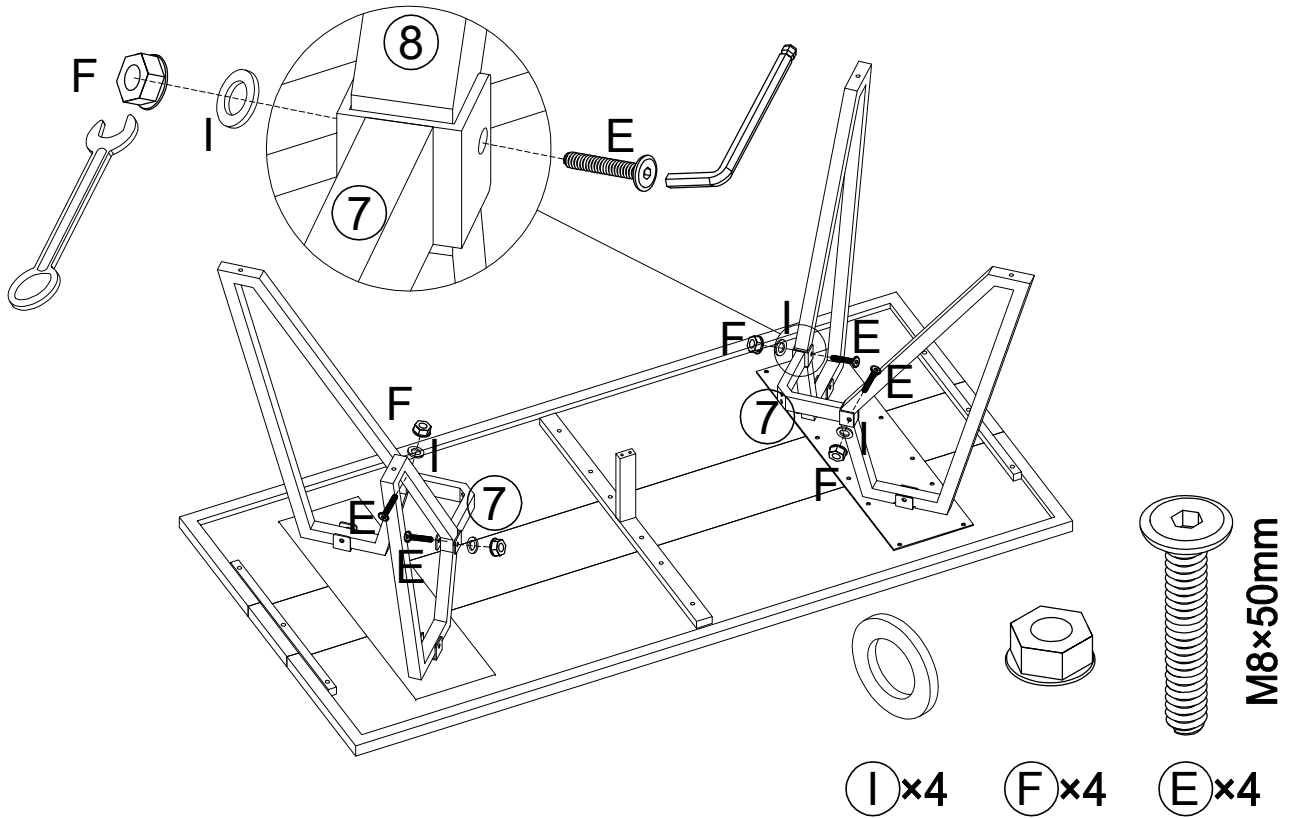
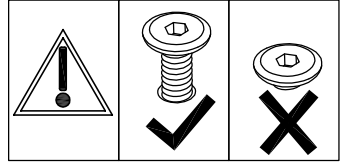
6

The groove of part 8
should be snug against
the iron sheet of part 2

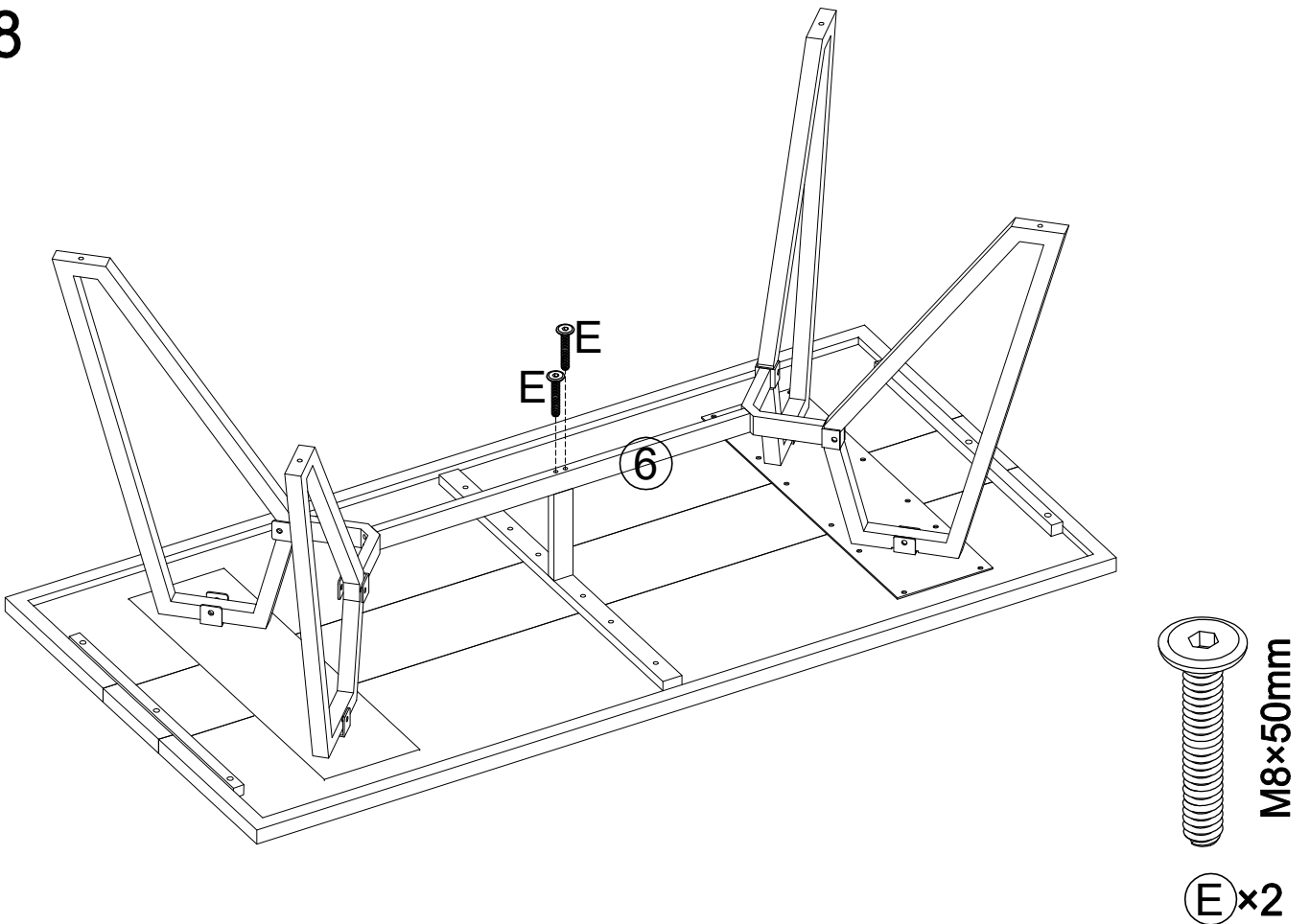


7

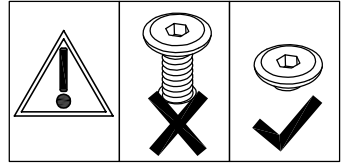
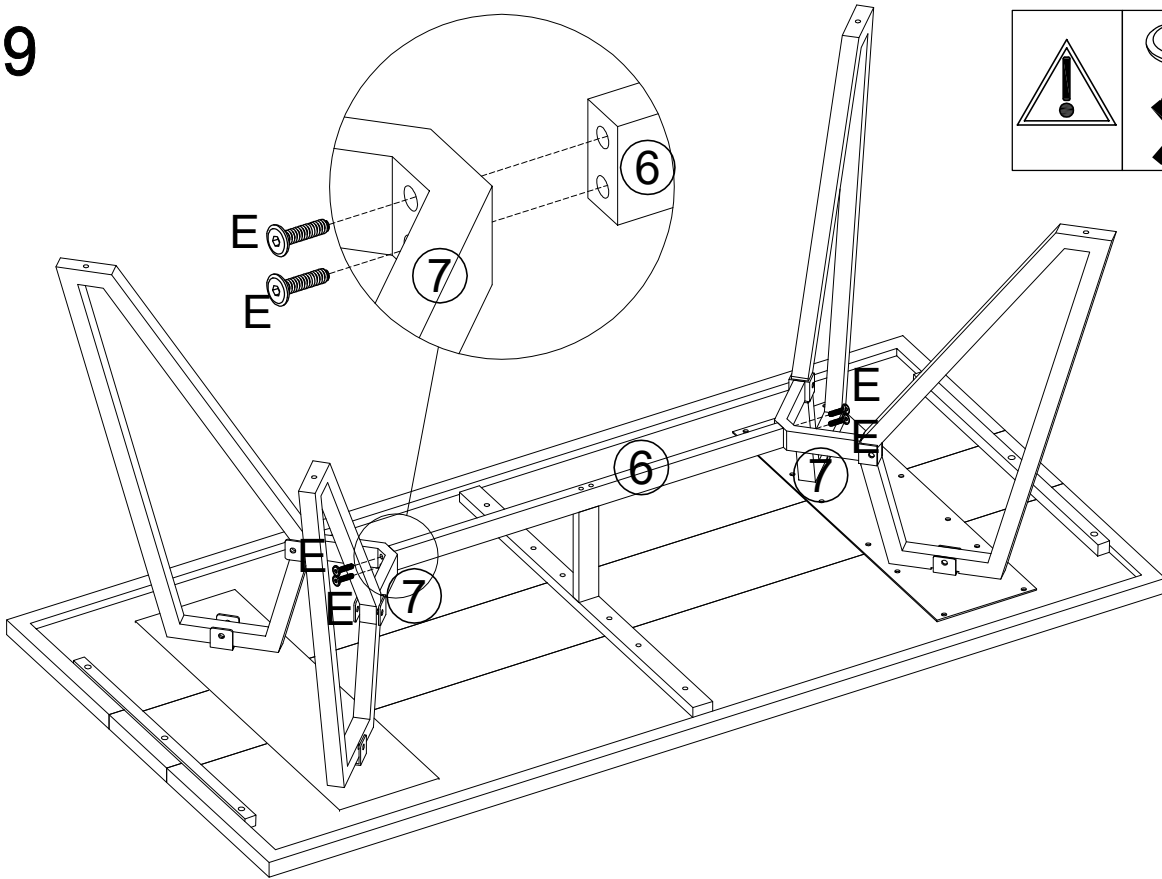
Do not tighten the screws completely in this step.



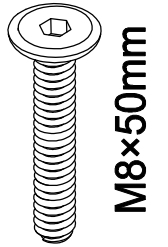
8



9



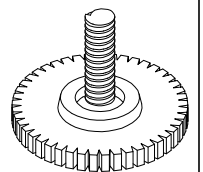
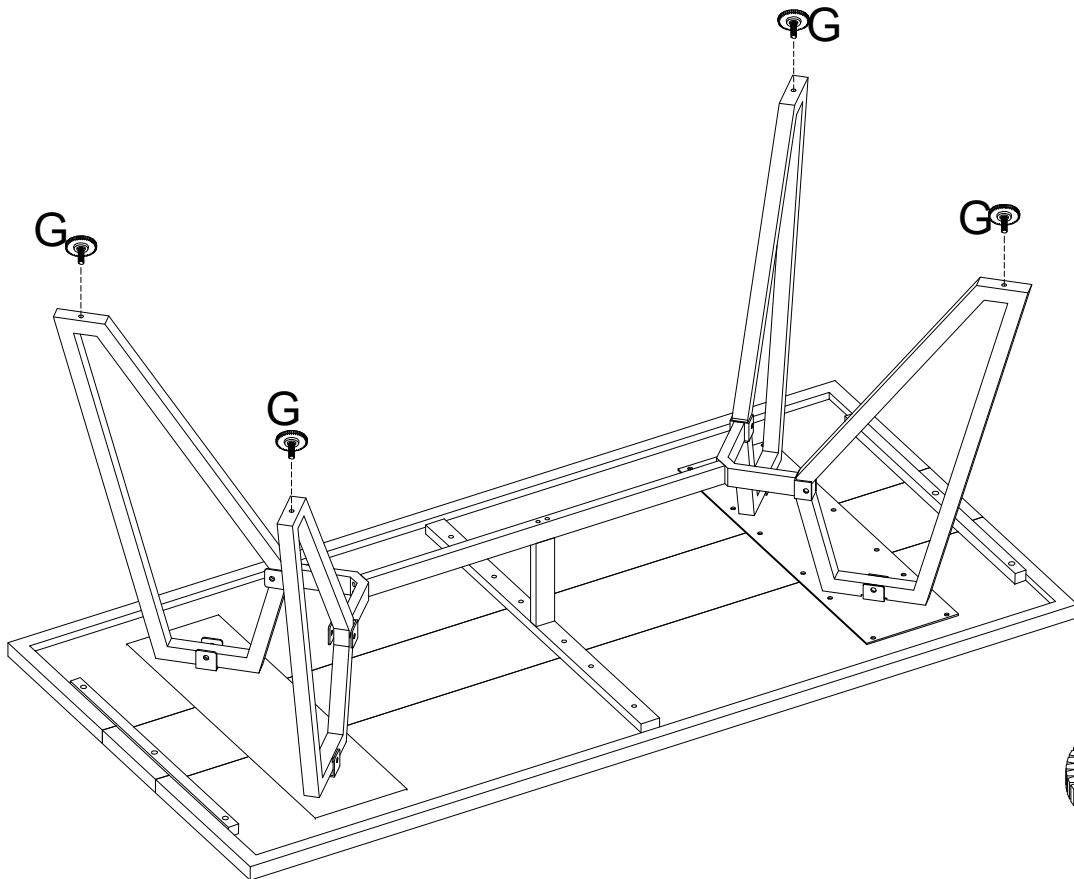
In this step, please check that all screws are tightly screwed



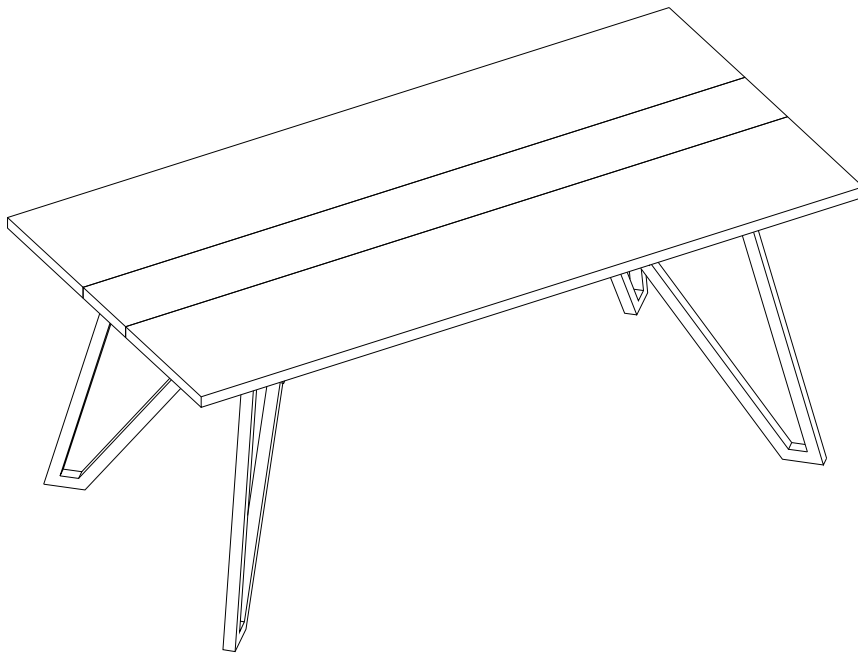
M8x50mm

E×4

10



G×4

**【Attention】**

After completing all installation steps, ensure each screw is fully tightened. If any screw is loose, tighten it completely.