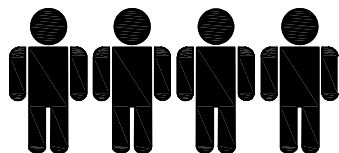
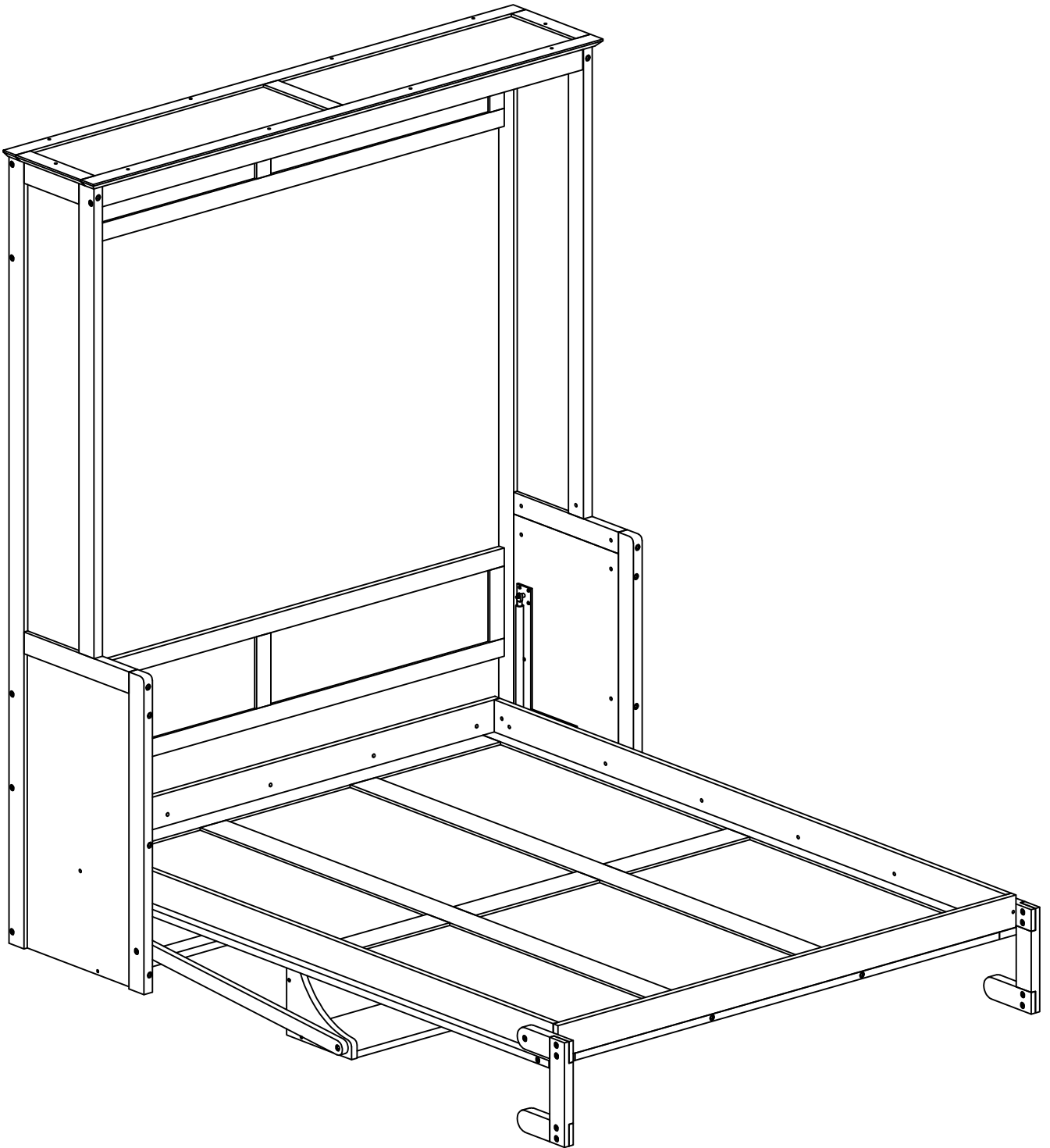
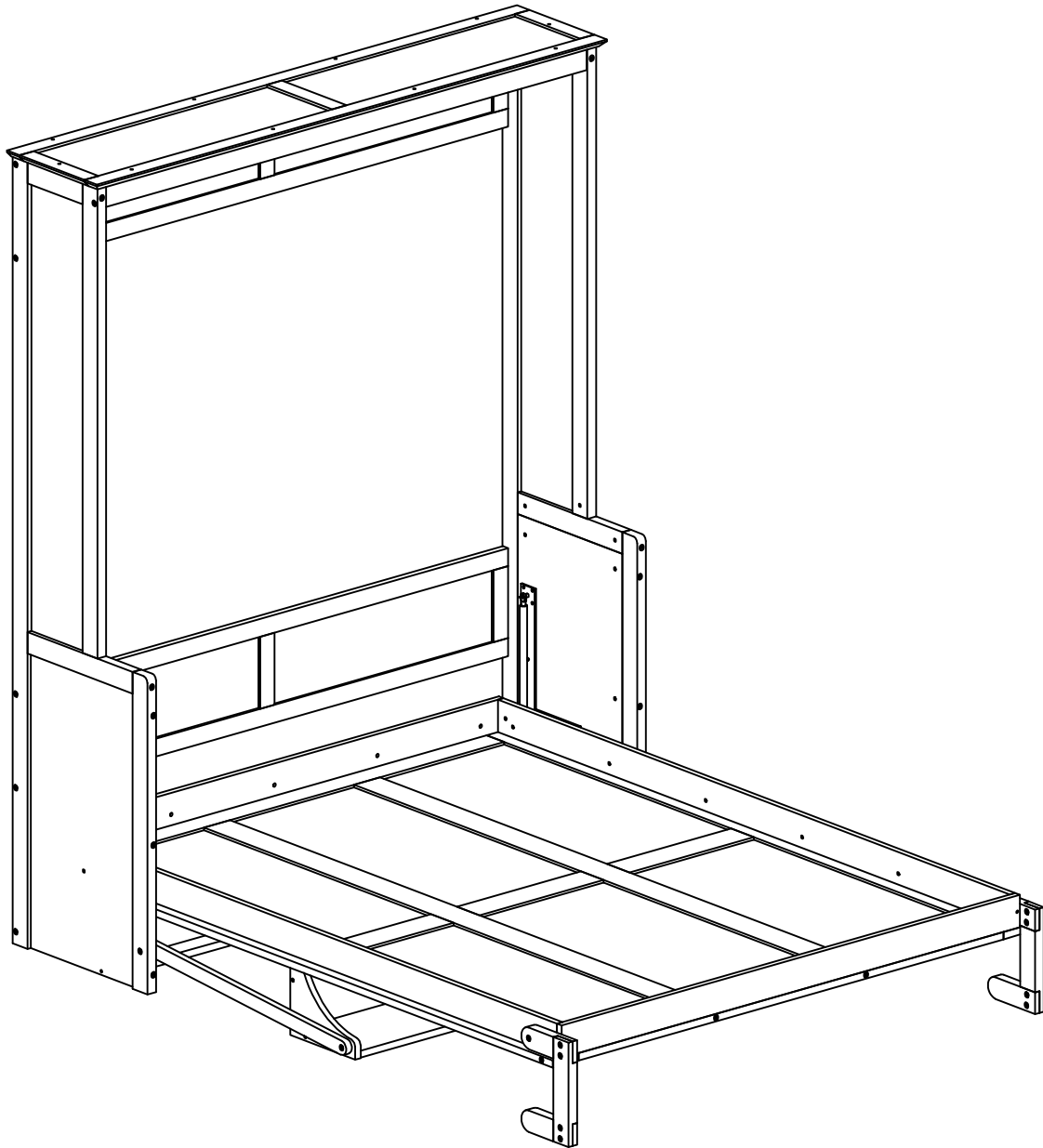


ASSEMBLY INSTRUCTION

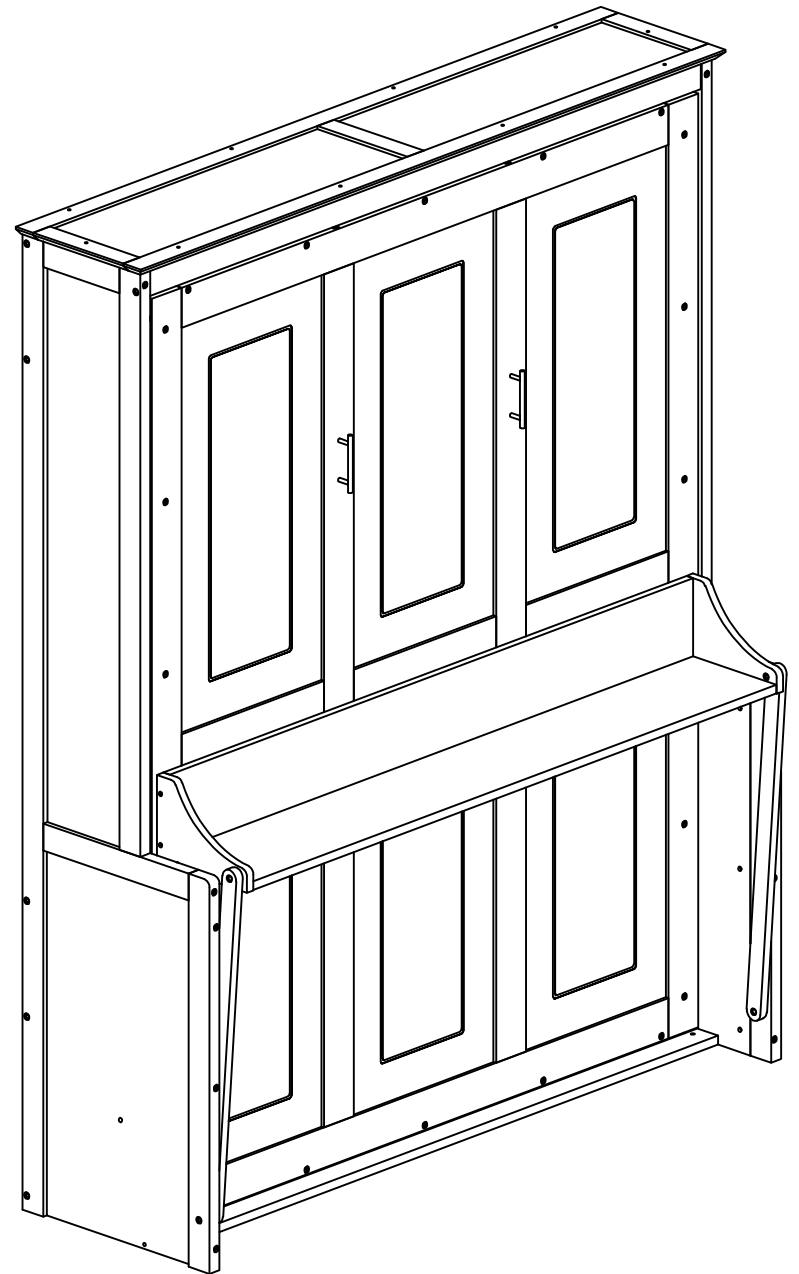


Four people are required to assemble and move this model.

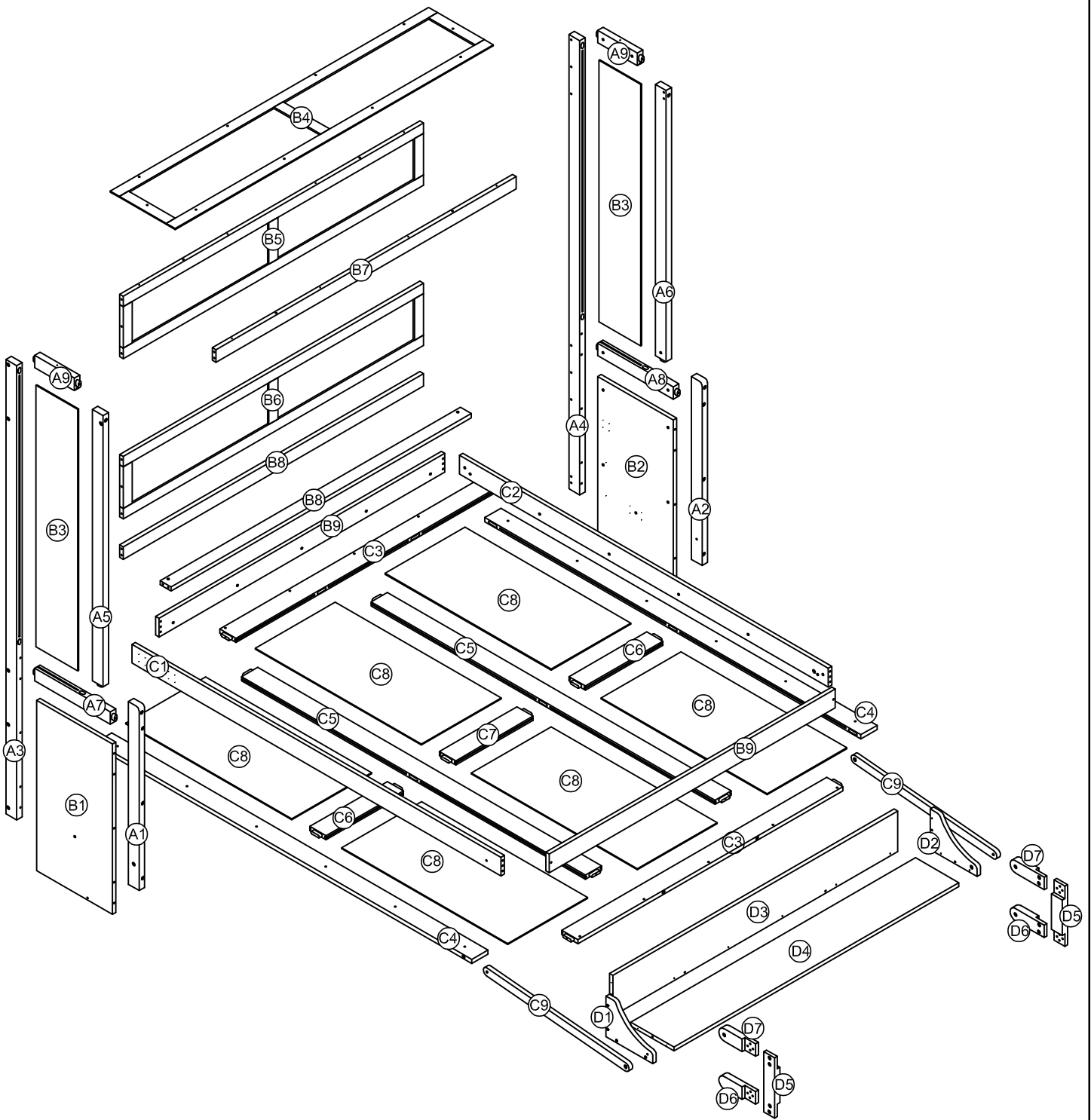
OPTION 1



OPTION 2



ASSEMBLY INSTRUCTION



Part List

A1

WoodBar-1pc



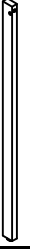
A2

WoodBar-1pc



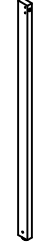
A5

WoodBar-1pc



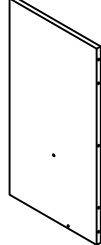
A6

WoodBar-1pc



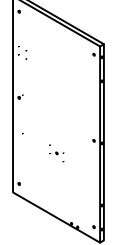
B1

Panel-1pc



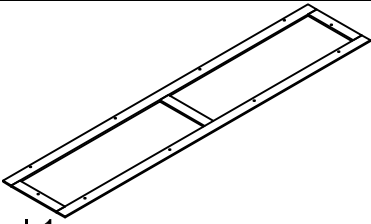
B2

Panel-1pc



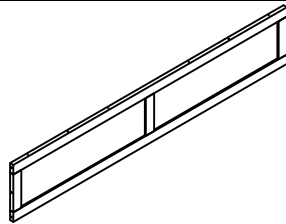
B4

Panel-1pc



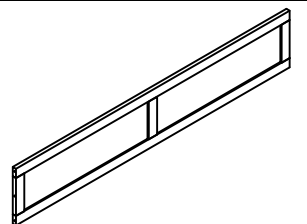
B5

Panel-1pc



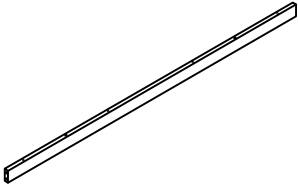
B6

Panel-1pc



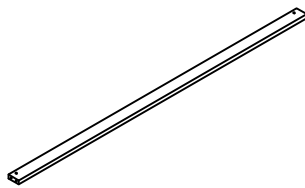
B7

WoodBar-1pc



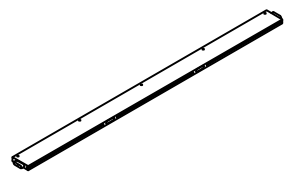
B8

WoodBar-2pcs



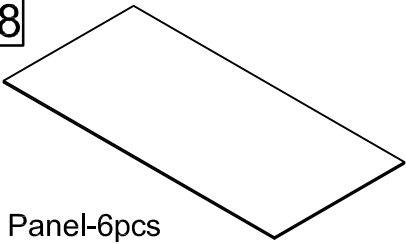
C3

WoodBar-2pcs



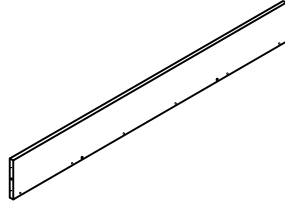
C8

Panel-6pcs



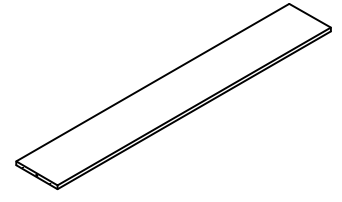
D3

Panel-1pc



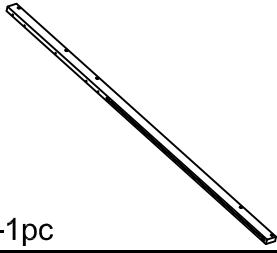
D4

Panel-1pc



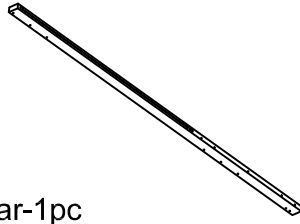
Part List & Hardware List

A3



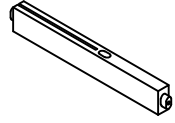
WoodBar-1pc

A4



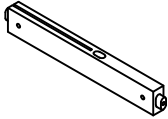
WoodBar-1pc

A7



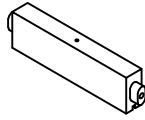
WoodBar-1pc

A8



WoodBar-1pc

A9



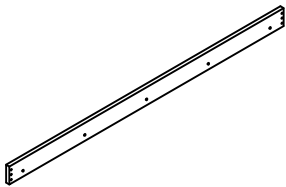
WoodBar-2pcs

B3



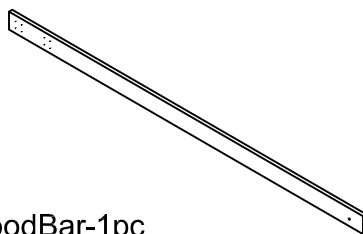
Panel-2pcs

B9



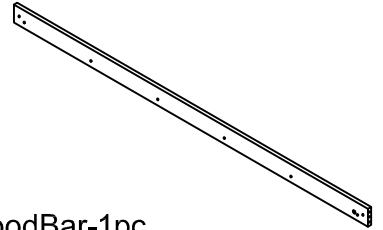
WoodBar-2pcs

C1



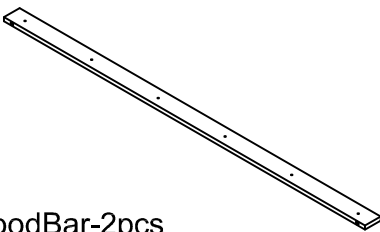
WoodBar-1pc

C2



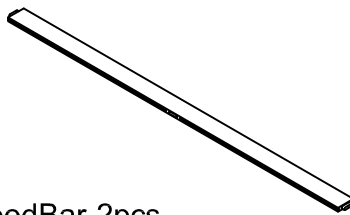
WoodBar-1pc

C4



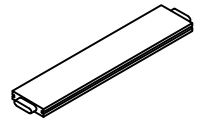
WoodBar-2pcs

C5



WoodBar-2pcs

C6



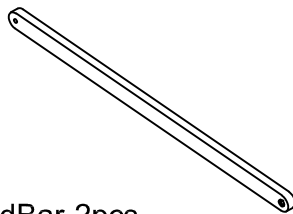
WoodBar-2pcs

C7



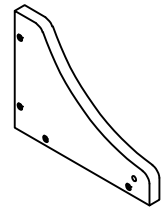
WoodBar-1pc

C9



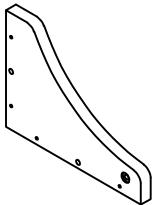
WoodBar-2pcs

D1



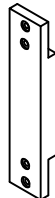
Panel-1pc

D2



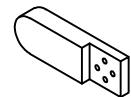
Panel-1pc

D5



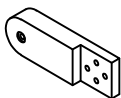
WoodBar-2pcs

D6



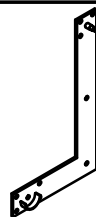
WoodBar-2pcs

D7



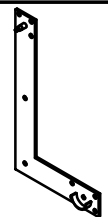
WoodBar-2pcs

D8



Metal corner link-1pc

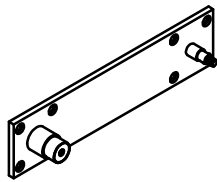
D9



Metal corner link-1pc

Part List & Hardware List

E1




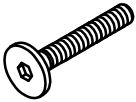
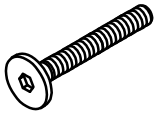
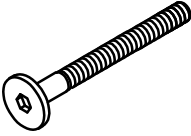
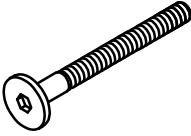
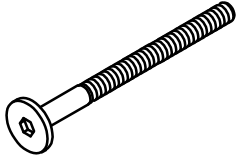
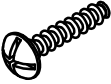
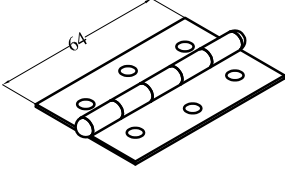
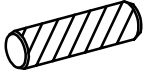
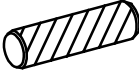


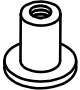

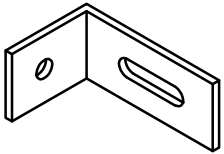






Metal corner link-2pcs

E2



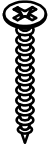
Piston Steam-2pcs

Hardware List

<p>1</p>  <p>Ø1/4" x 20 mm Hex-Head bolts 8pcs</p>	<p>2</p>  <p>Ø1/4" x 30 mm Hex-Head bolts 2pcs</p>	<p>3</p>  <p>Ø1/4" x 40 mm Hex-Head bolts 4pcs</p>
<p>4</p>  <p>Ø1/4" x 60 mm Hex-Head bolts 26pcs</p>	<p>5</p>  <p>Ø1/4" x 70 mm Hex-Head bolts 14pcs</p>	<p>6</p>  <p>Ø1/4" x 100 mm Hex-Head bolts 22pcs</p>
<p>7</p>  <p>Bolts 1/6" x25 4pcs</p>	<p>8</p>  <p>Hinge 3pcs</p>	<p>9</p>  <p>Ø8 x 30 mm Wood dowel 36pcs</p>
<p>10</p>  <p>Ø8 x 20 mm Wood dowel 8pcs</p>	<p>11</p>  <p>Handle 2pcs</p>	<p>12</p>  <p>Ø1/4" x 13 mm Horizontal-Hole bolts 62pcs</p>
<p>13</p>  <p>Ø1/4" x 15 mm Canopy head though 14pcs</p>	<p>14</p> <p>Nhựa trắng</p>  <p>Ø20 / Ø6 x 2 mm Washer 6pcs</p>	<p>15</p>  <p>Angle Metal 6pcs</p>
<p>16</p>  <p>Allen Key 2pcs</p>	<p>17</p>  <p>Screws 1/4" x40 10pcs</p>	<p>18</p>  <p>Screws 1/4" x100 8pcs</p>
<p>19</p>  <p>M4 x 20 mm Wood Screws 6pcs</p>	<p>20</p>  <p>M3 x 15 mm Wood Screws 18pcs</p>	<p>21</p>  <p>M4 x 20 mm Wood Screws 36pcs</p>

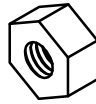
Hardware List

22



M4 x 40 mm
Wood Screws 20pcs

23



Nut 4pcs

24

Xi trắng

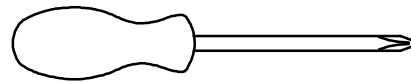


Ø1/3" x 40 mm
Hex-Head bolts 2pcs

25

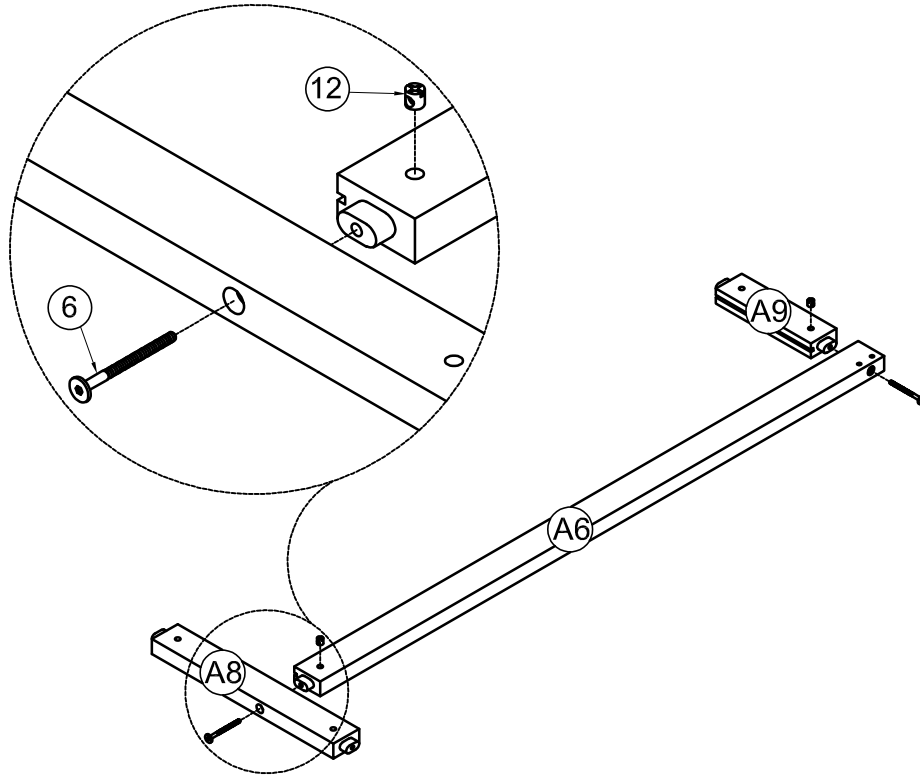


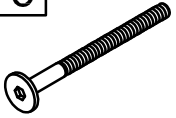

Bearings 2pcs



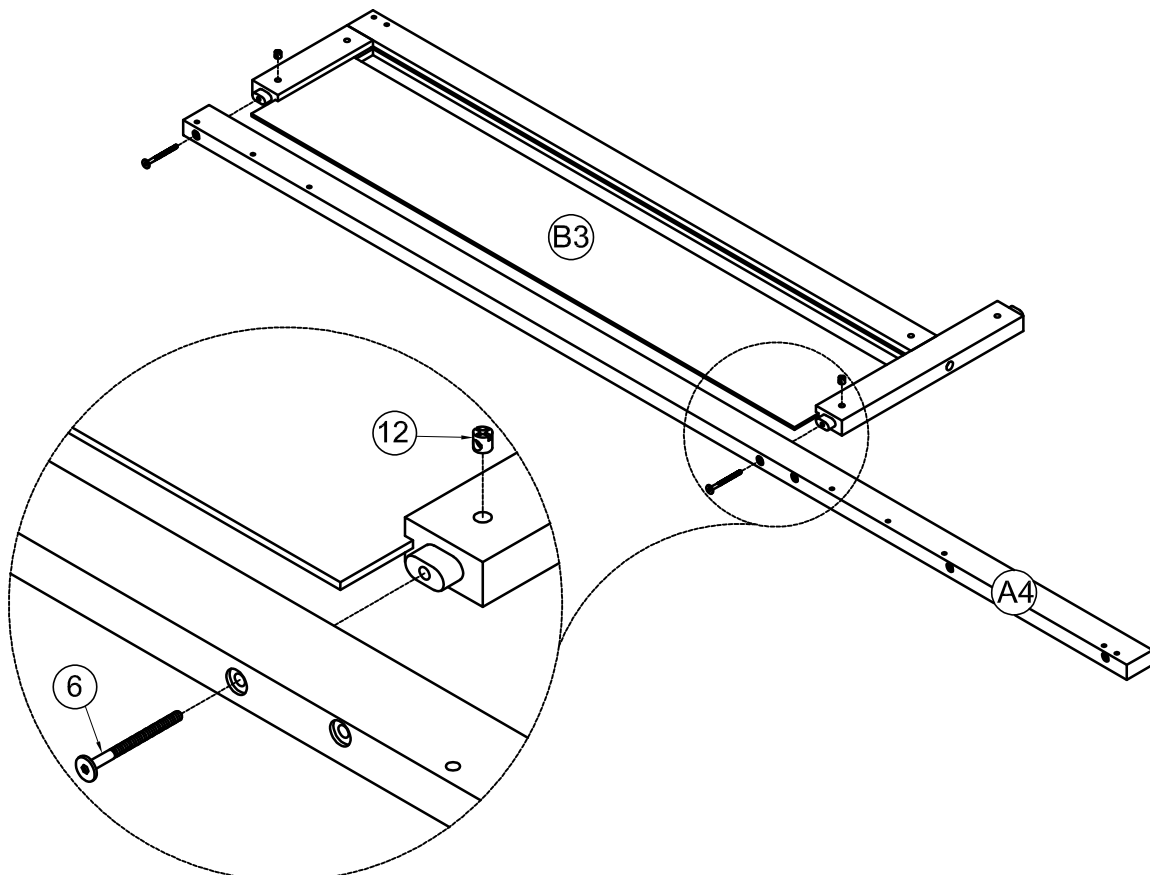
Assembly Tools Required (Not Included)

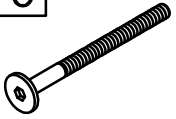

STEP1: Following below illustration.



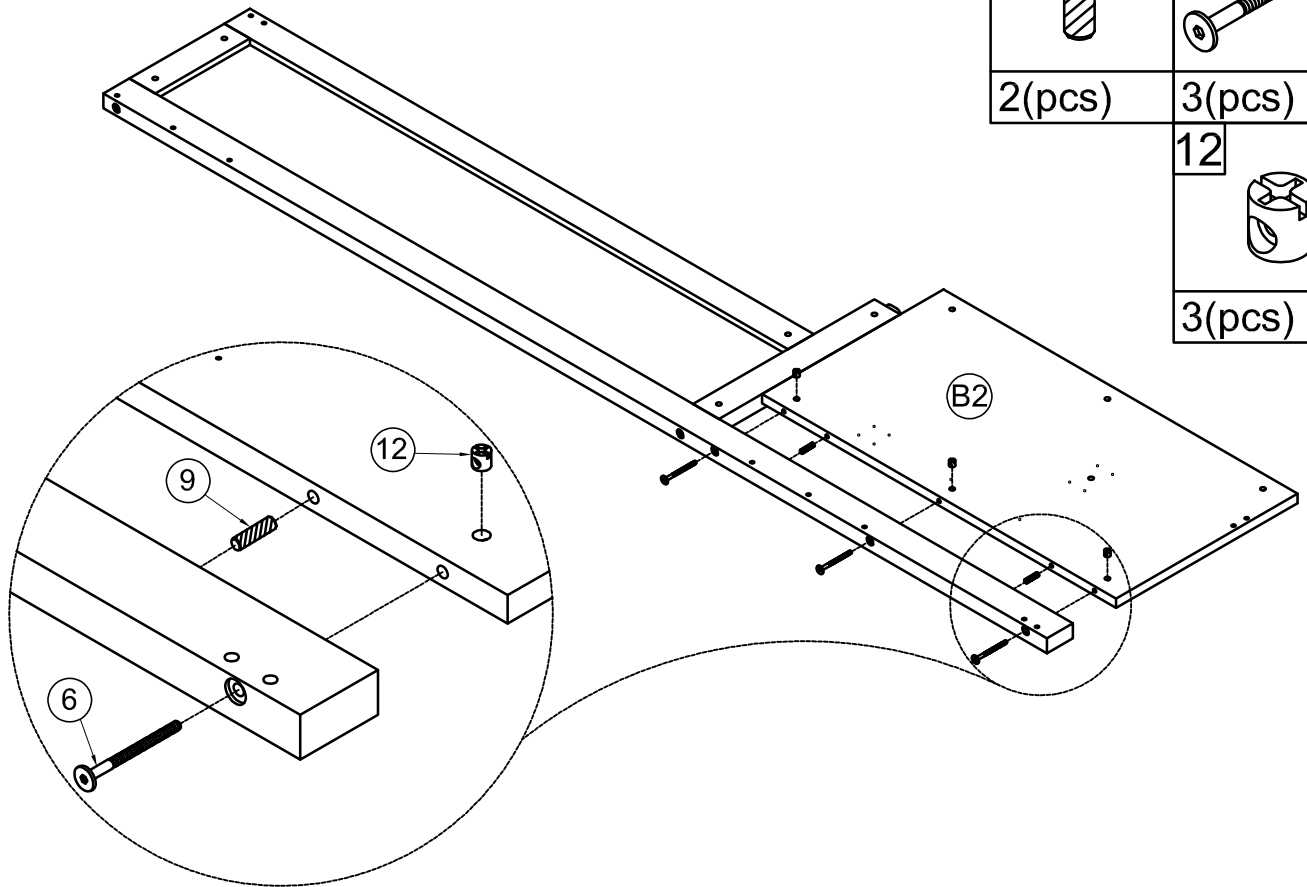
6	
2(pcs)	
12	
2(pcs)	

STEP2: Following below illustration.



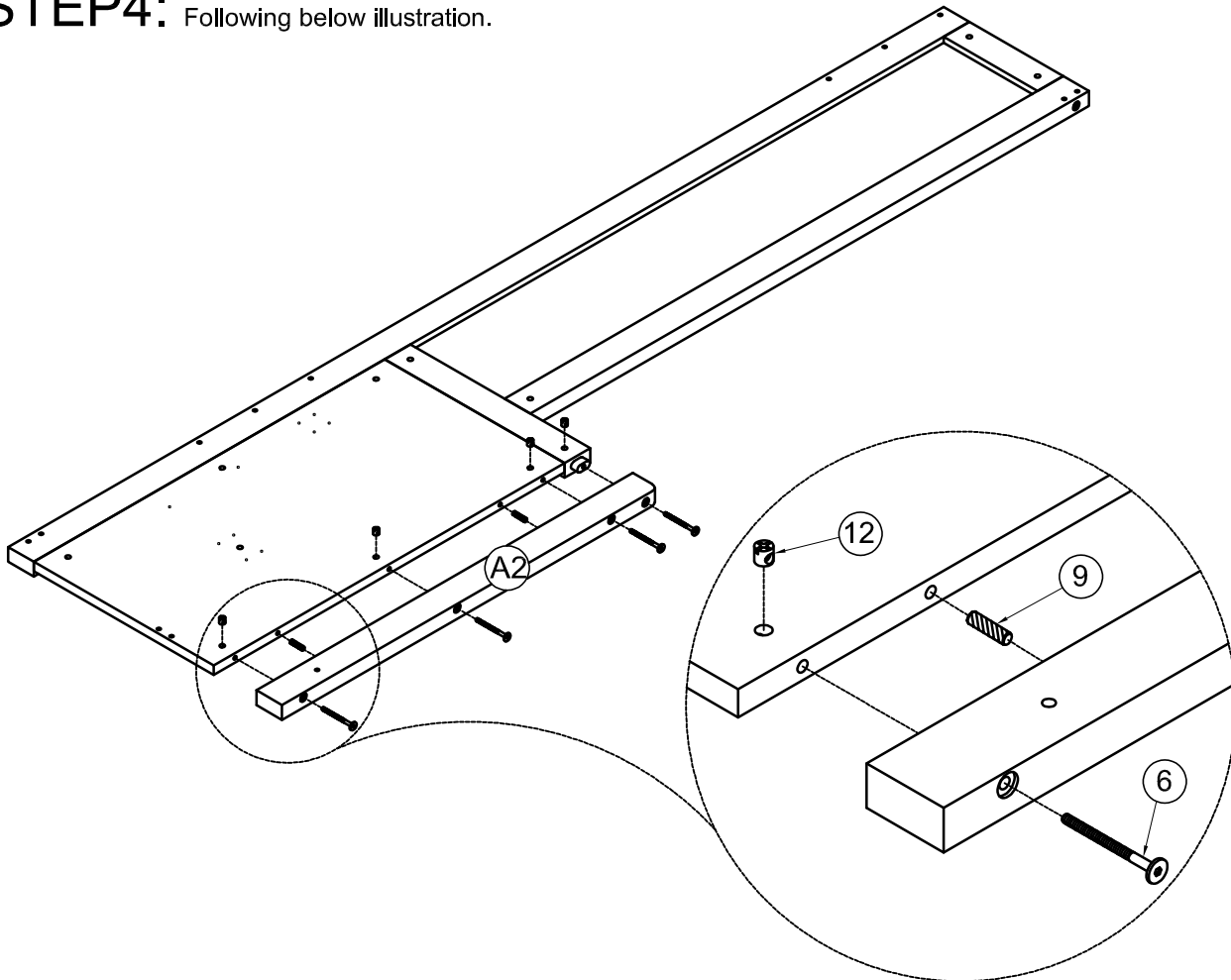
6	
2(pcs)	
12	
2(pcs)	

STEP3: Following below illustration.



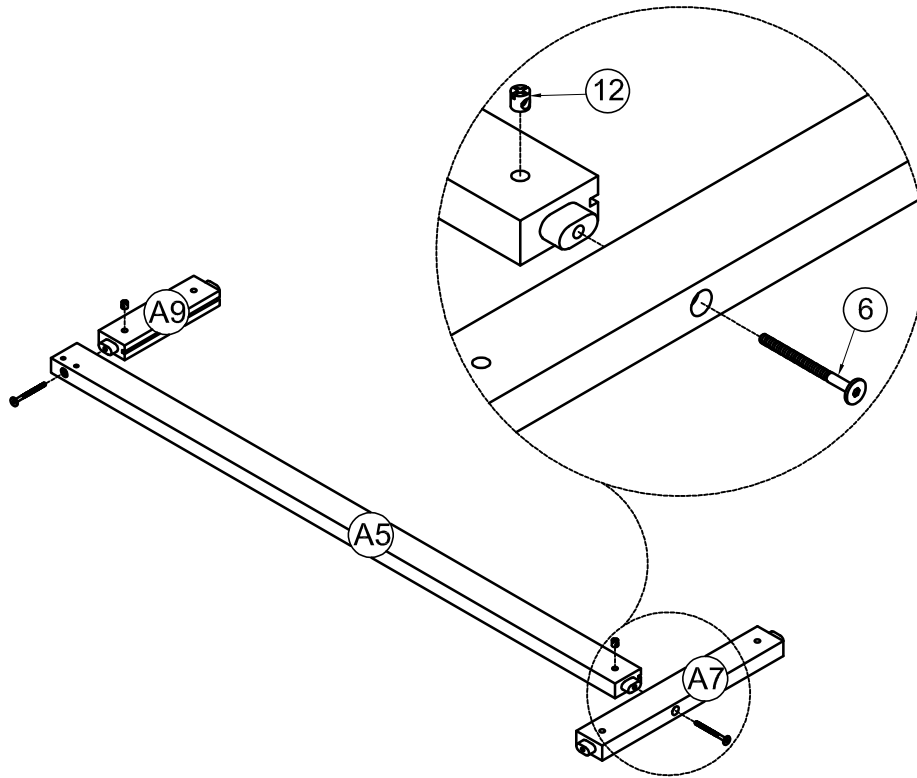
9		6	
2(pcs)		3(pcs)	
		12	
		3(pcs)	

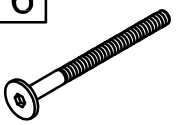

STEP4: Following below illustration.



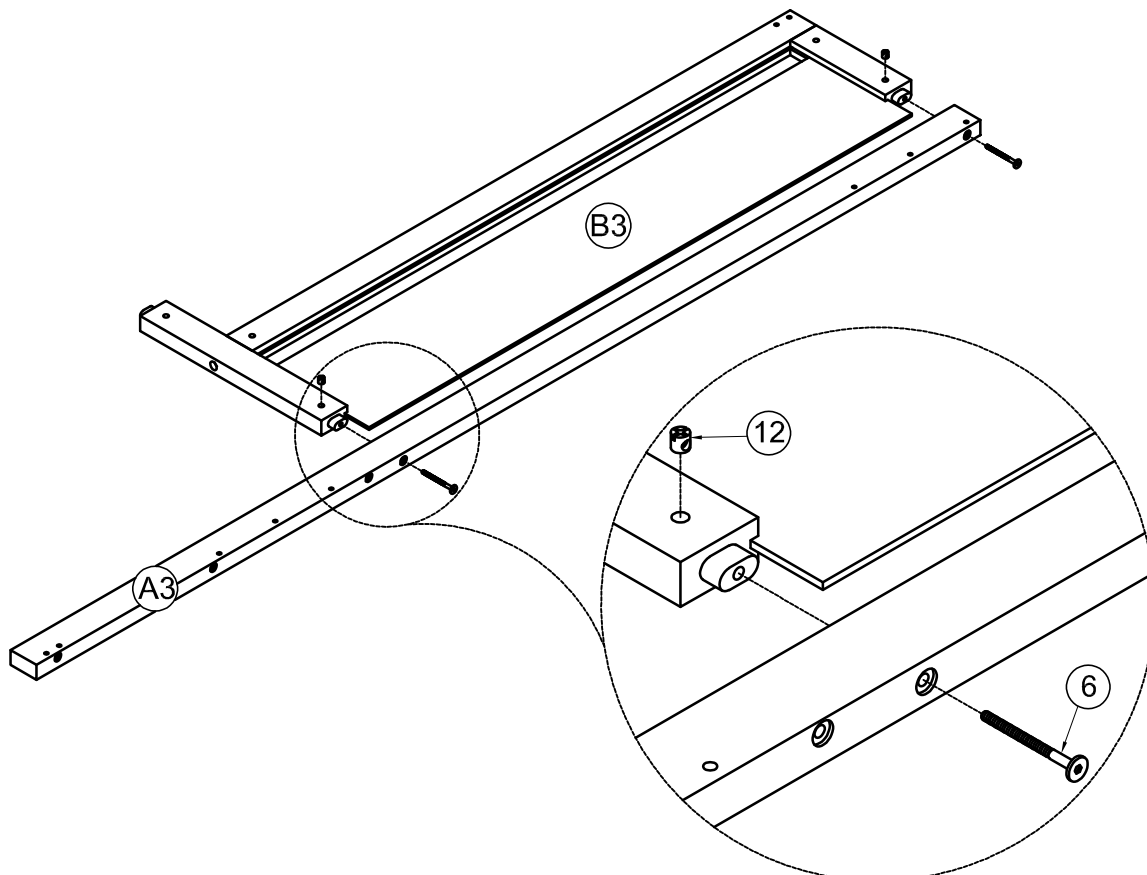
6	
4(pcs)	
12	
4(pcs)	
9	
2(pcs)	

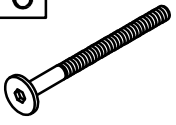

STEP5: Following below illustration.



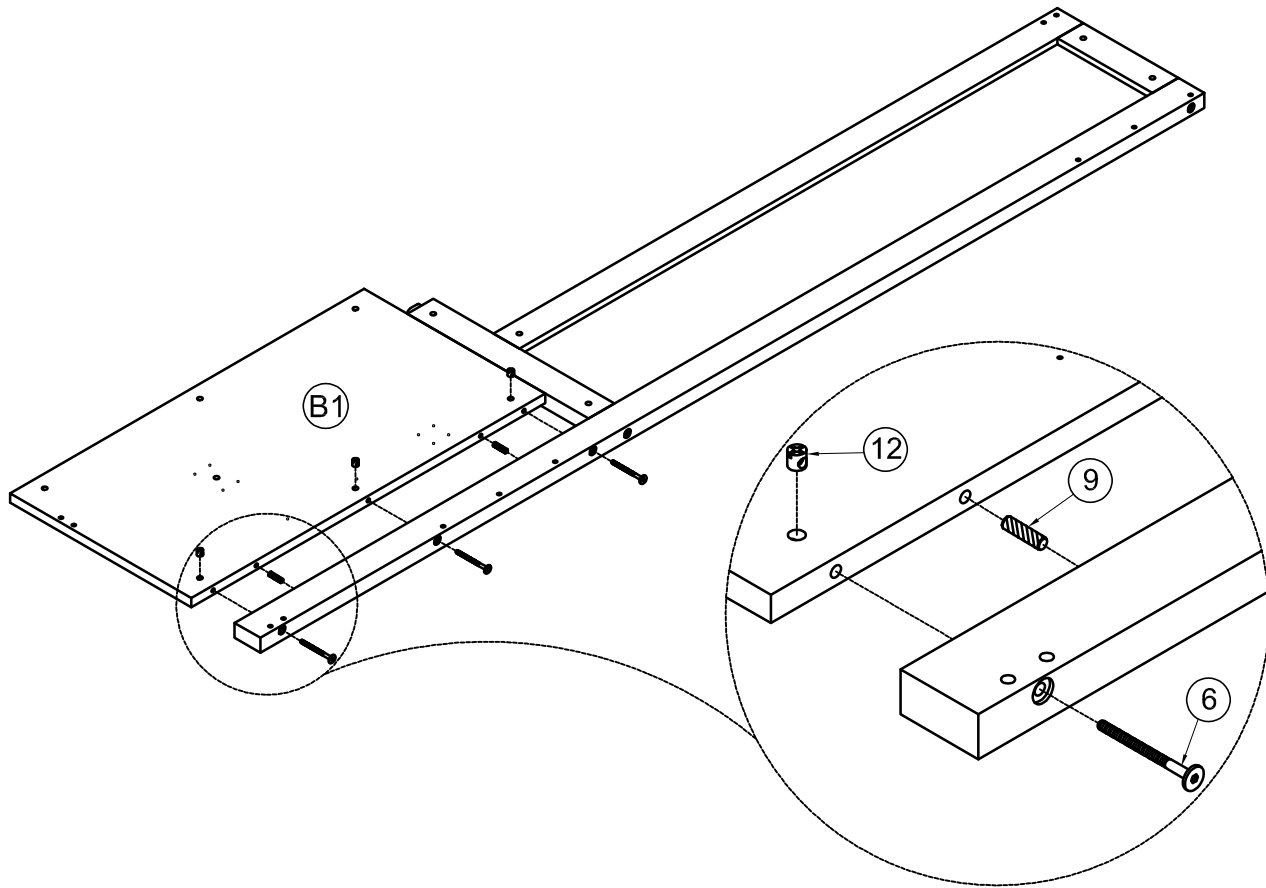
6	
2(pcs)	
12	
2(pcs)	

STEP6: Following below illustration.



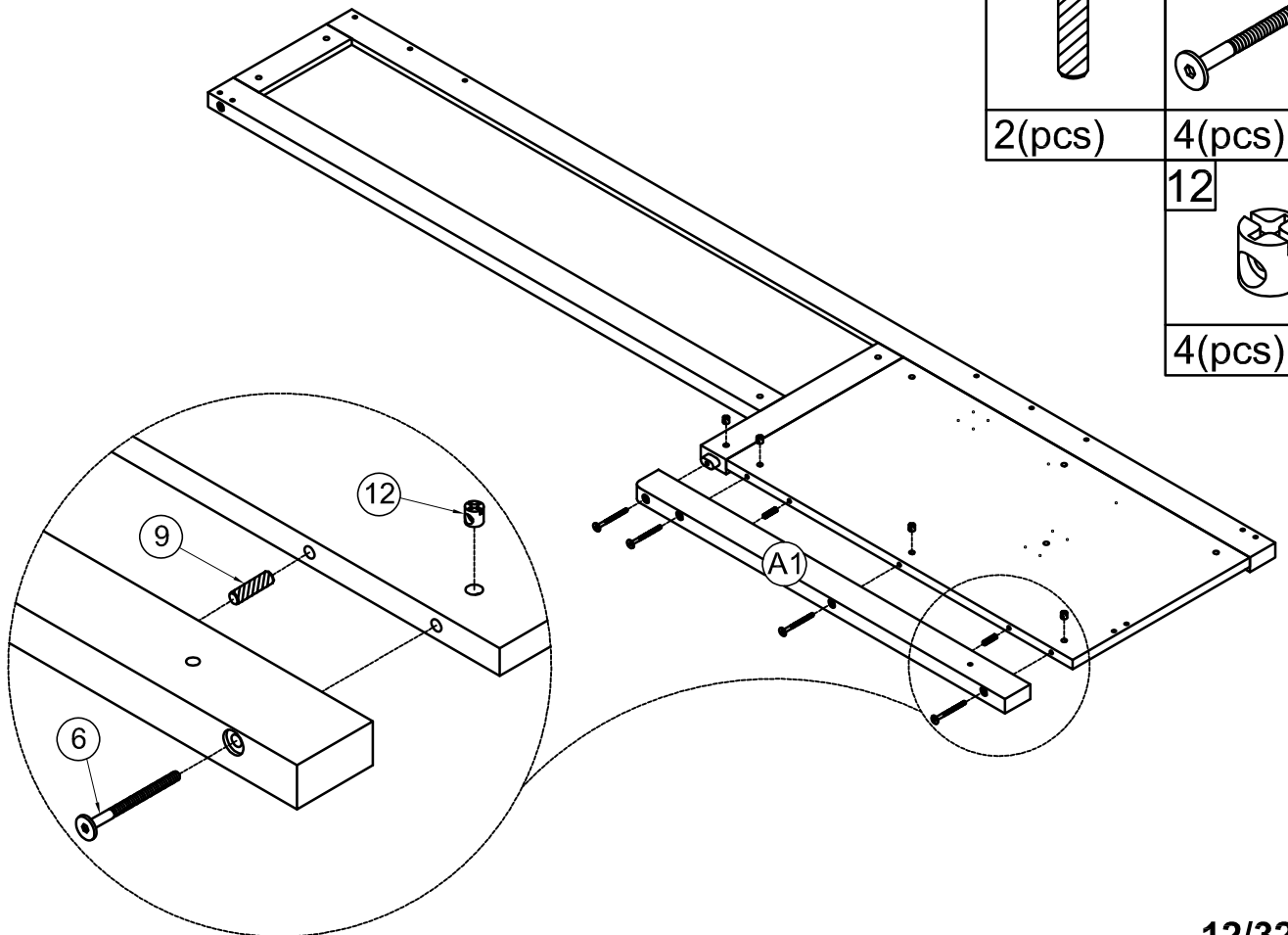
6	
2(pcs)	
12	
2(pcs)	

STEP7: Following below illustration.




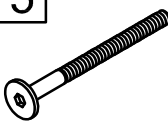

- | | |
|--------|--|
| 6 | |
| 3(pcs) | |
| 12 | |
| 3(pcs) | |
| 9 | |
| 2(pcs) | |

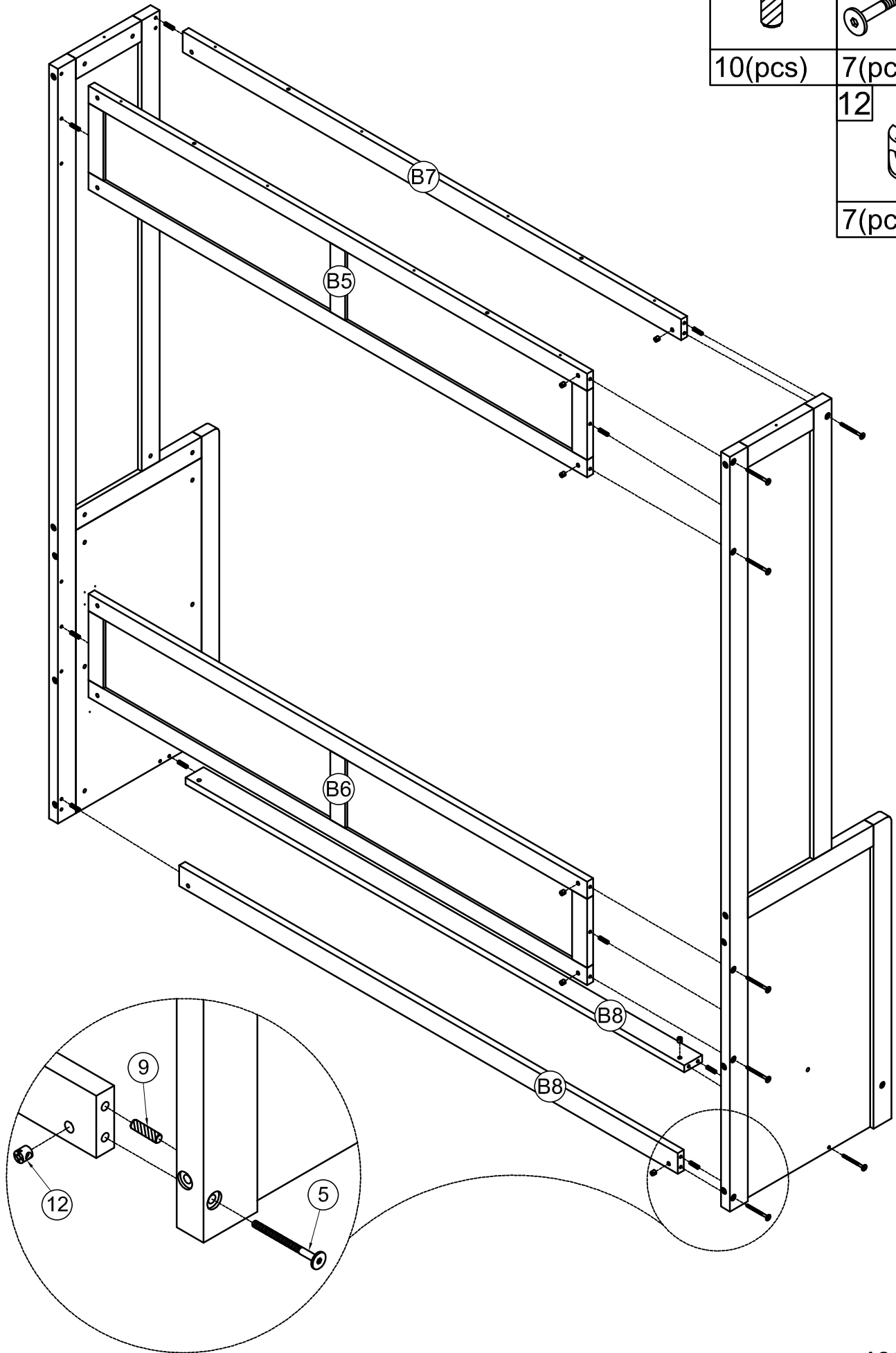
STEP8: Following below illustration.



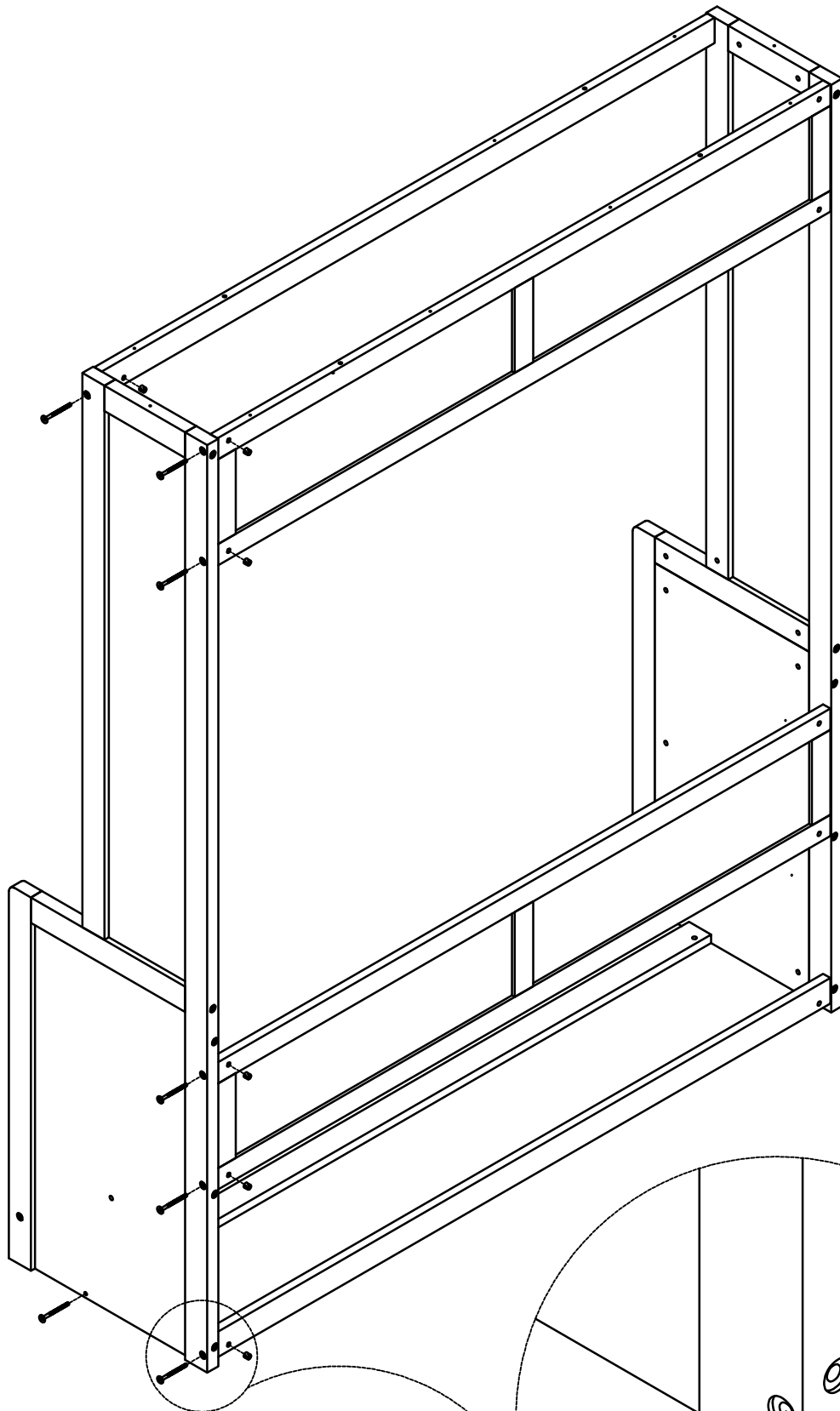
- | | | | |
|--------|--|--------|--|
| 9 | | 6 | |
| 2(pcs) | | 4(pcs) | |
| | | 12 | |
| | | 4(pcs) | |

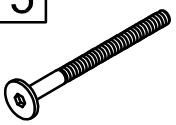

STEP9: Following below illustration.

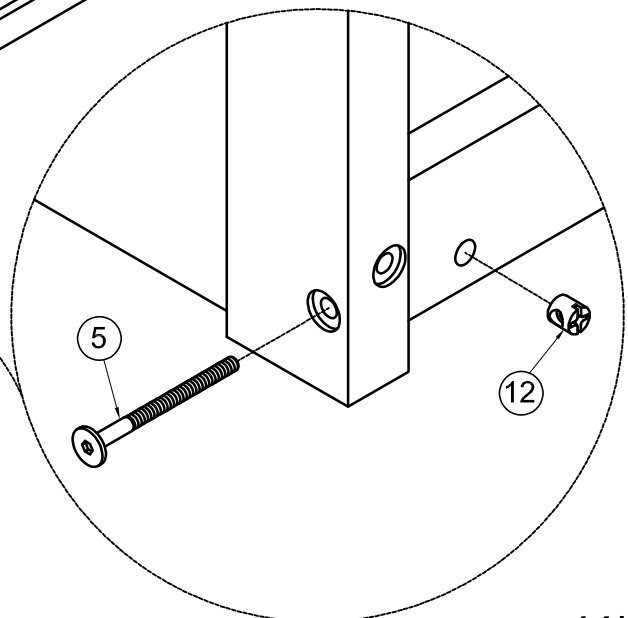
9		5	
10(pcs)		7(pcs)	
		12	
		7(pcs)	



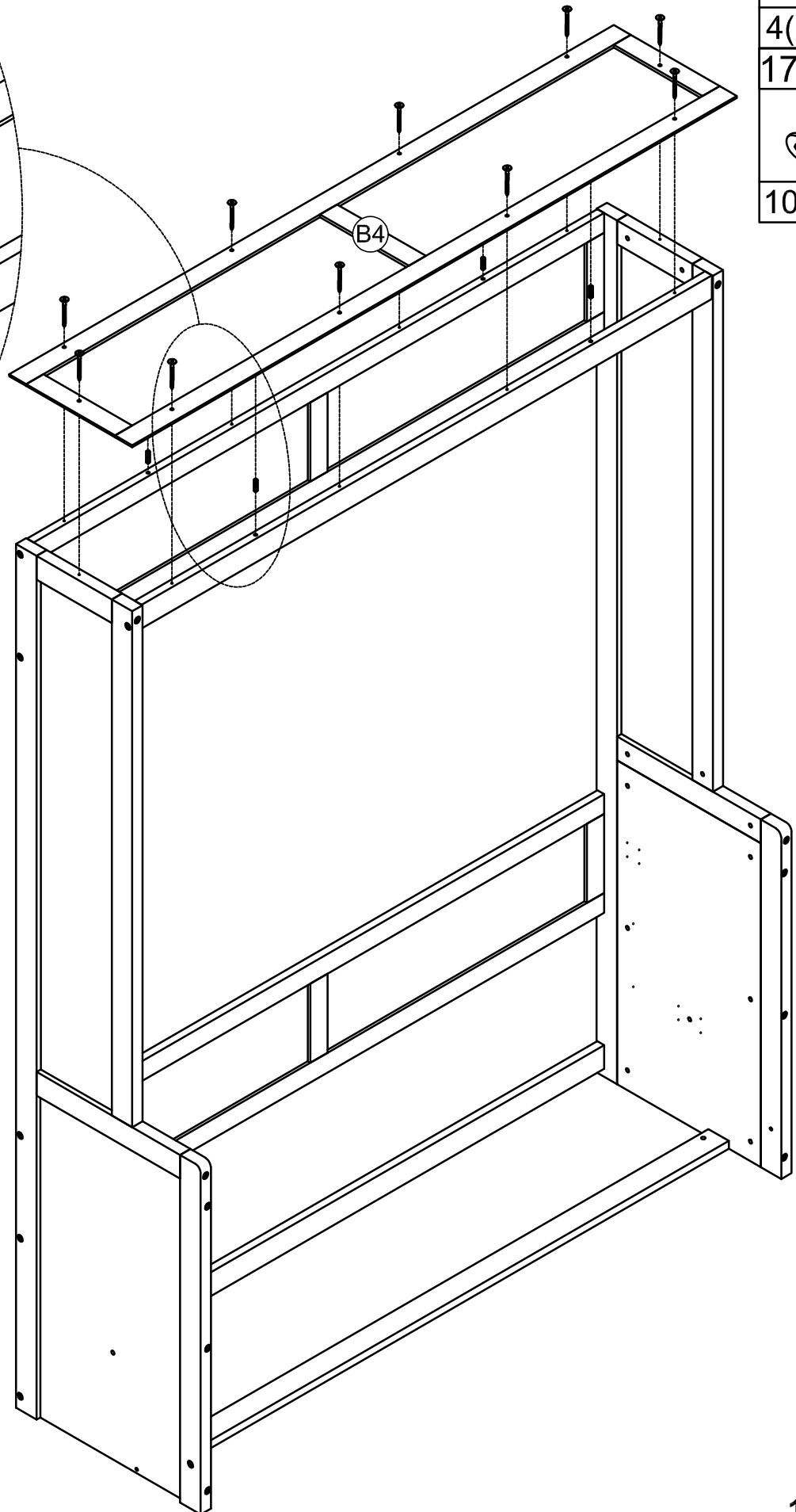
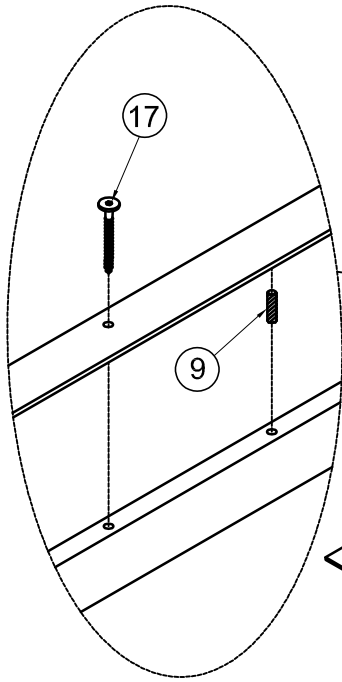
STEP10: Following below illustration.





- | | |
|--------|---|
| 5 |  |
| 7(pcs) | |
| 12 |  |
| 7(pcs) | |

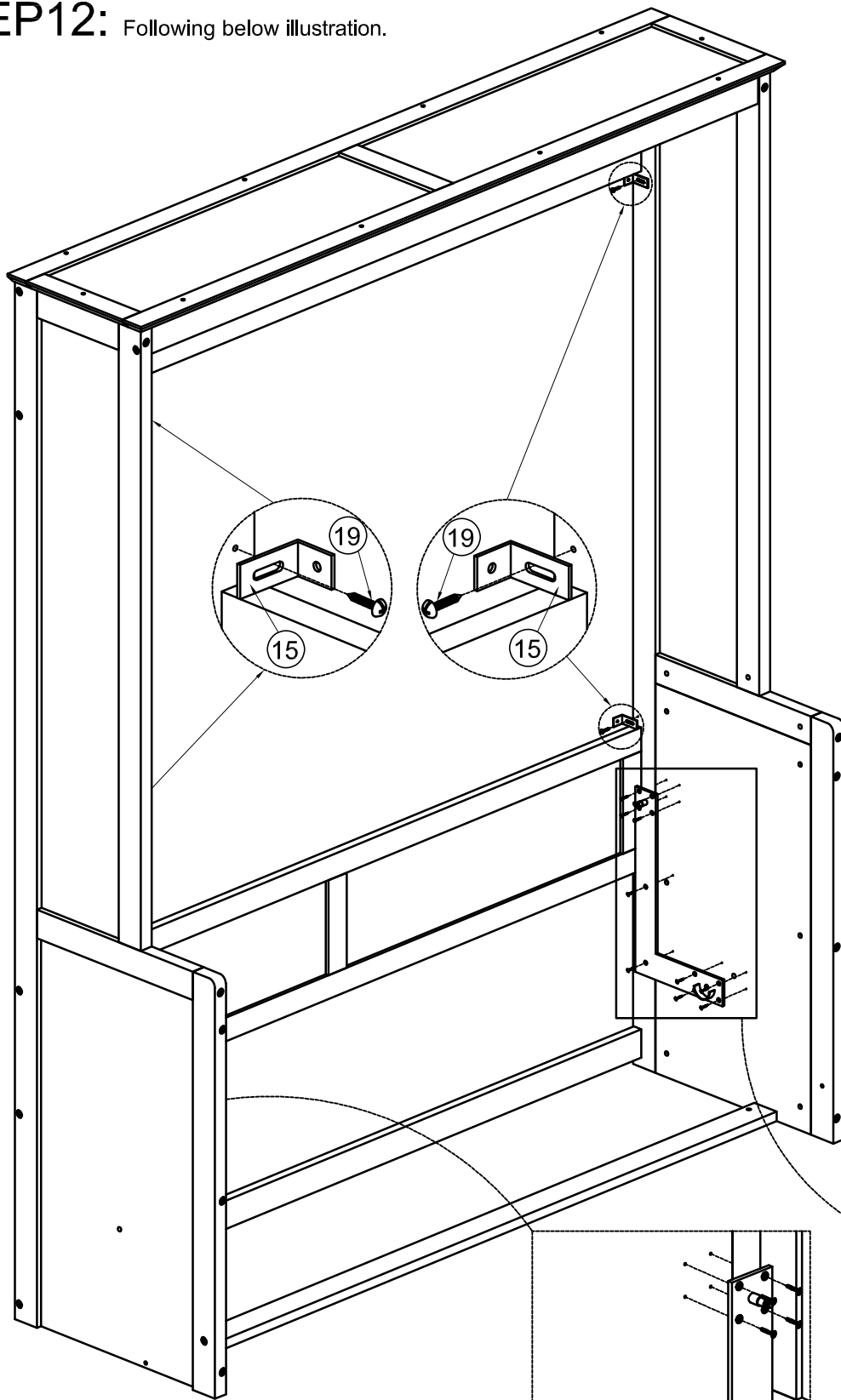


STEP11: Following below illustration.

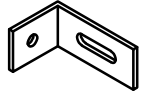


9	
4(pcs)	
17	
10(pcs)	

STEP12: Following below illustration.



15



4(pcs)

21

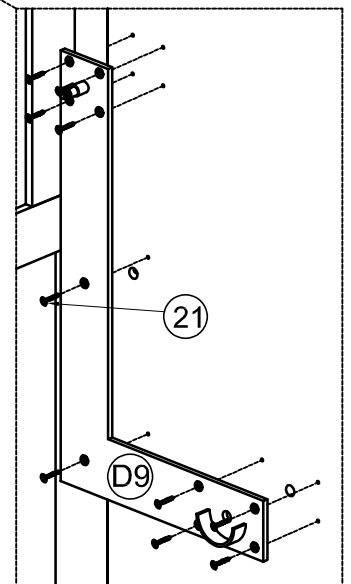
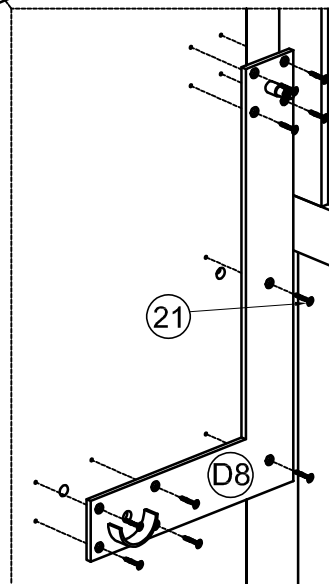


20(pcs)

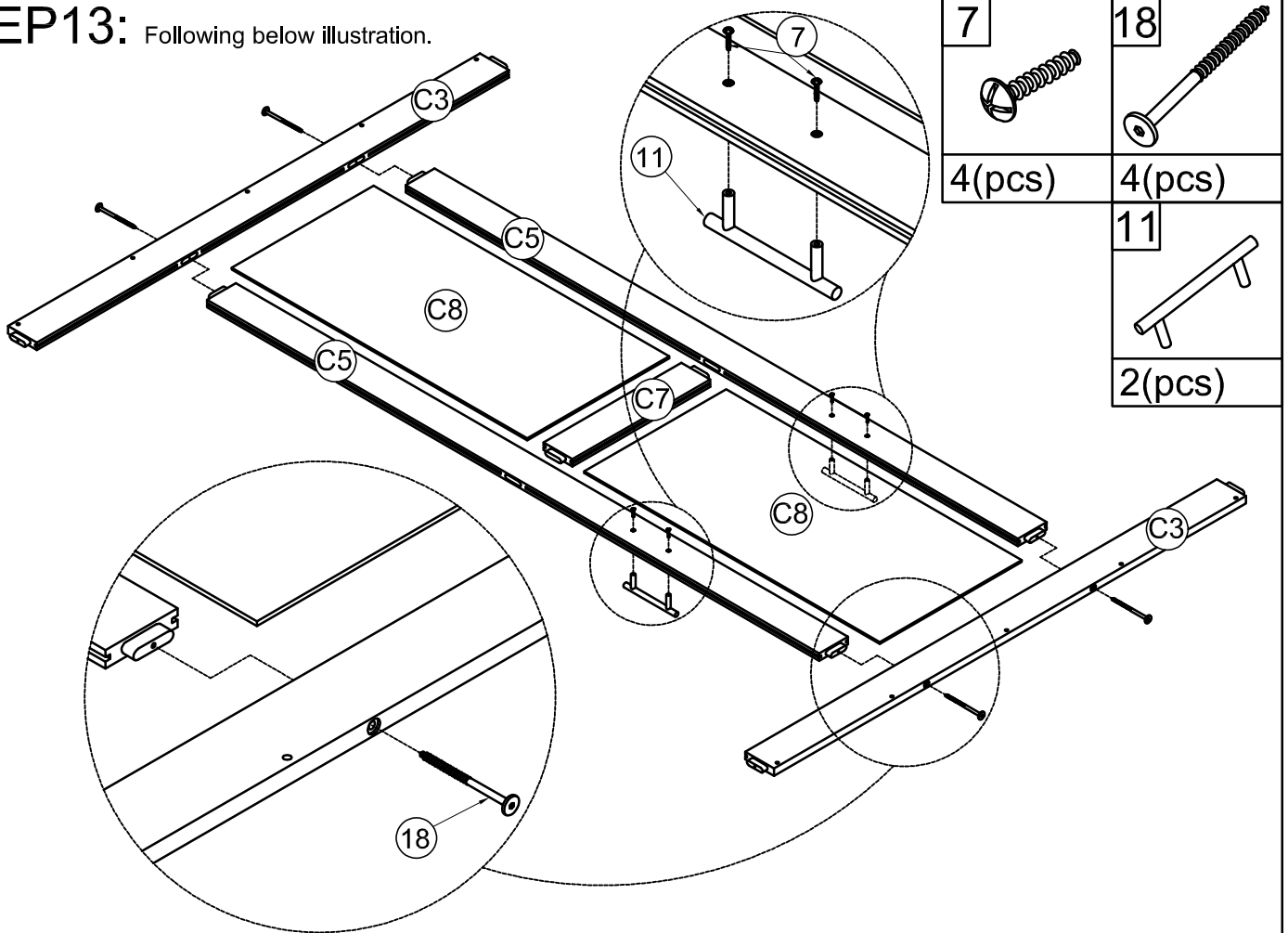
19



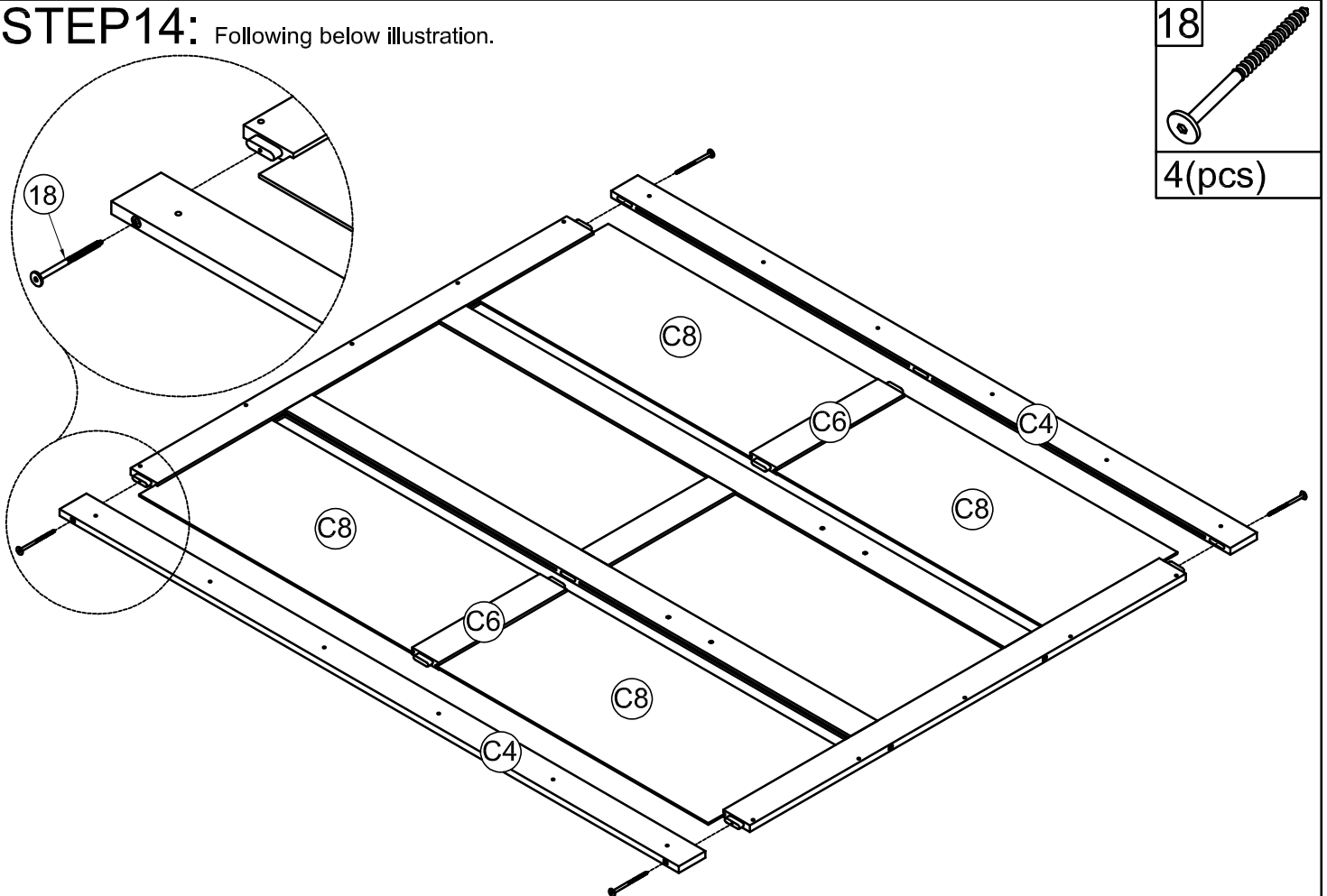
4(pcs)



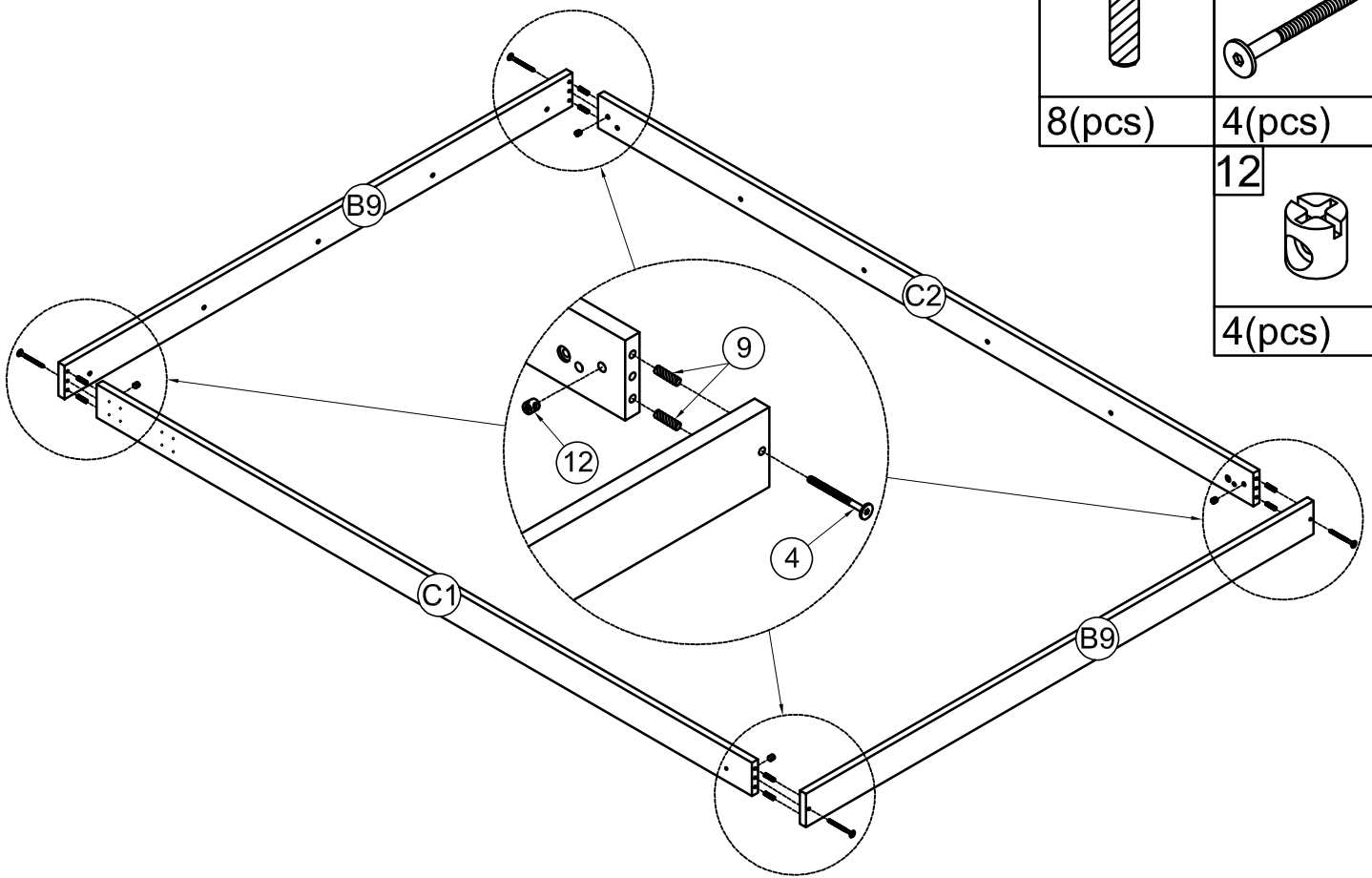
STEP13: Following below illustration.



STEP14: Following below illustration.

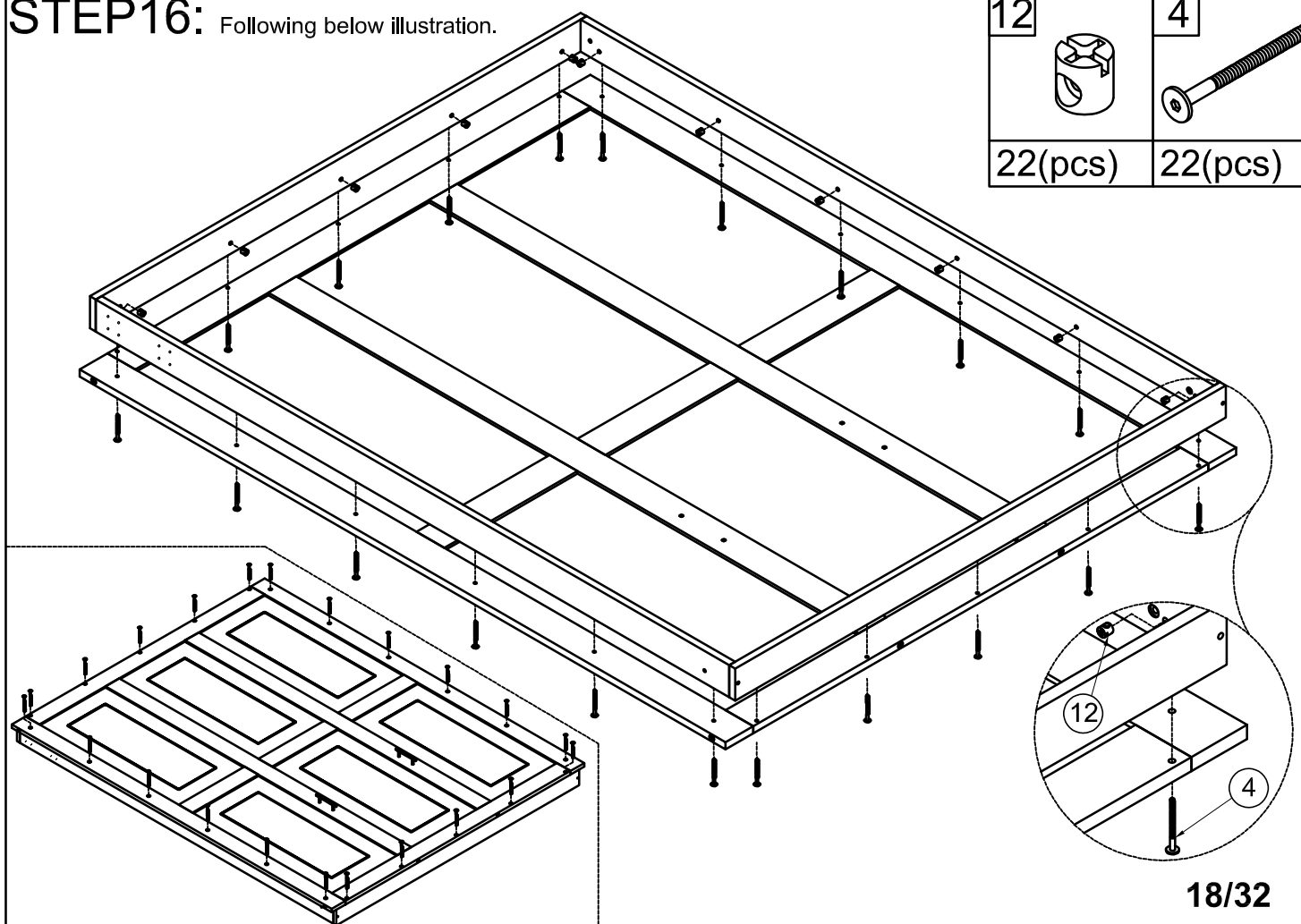


STEP15: Following below illustration.



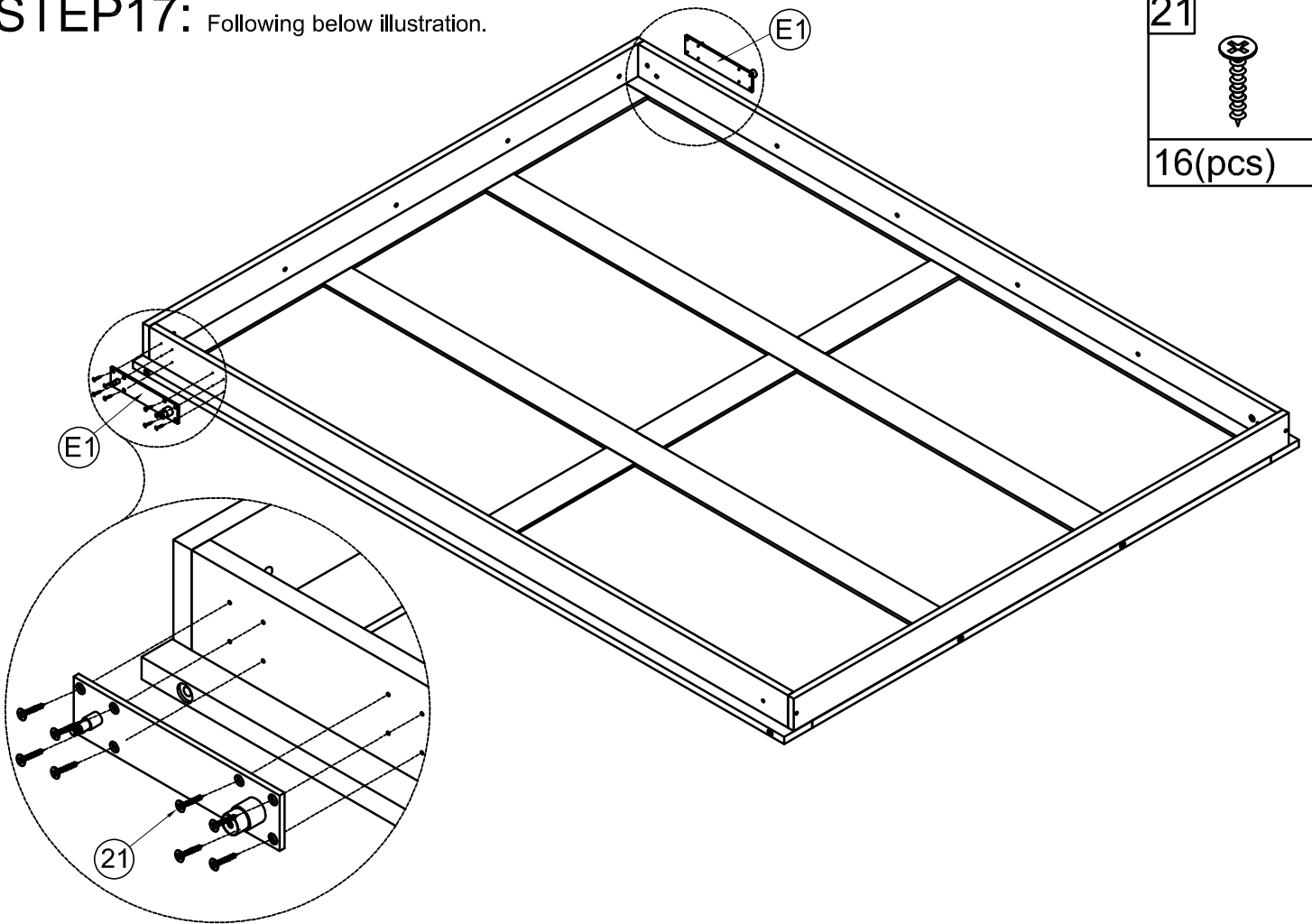
9		4	
8(pcs)		4(pcs)	
		12	
		4(pcs)	

STEP16: Following below illustration.



12		4	
22(pcs)		22(pcs)	

STEP17: Following below illustration.

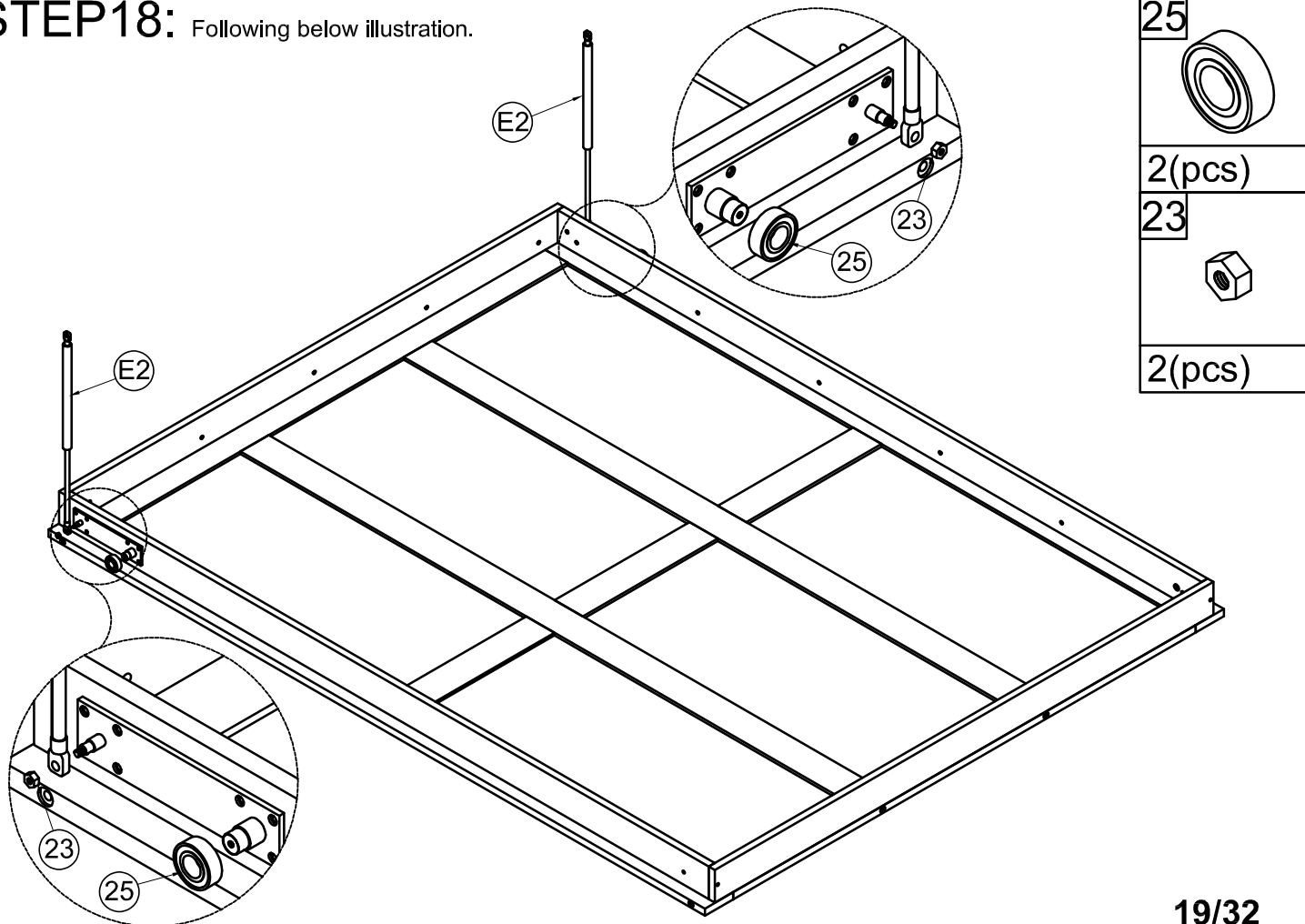


21

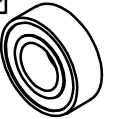


16(pcs)

STEP18: Following below illustration.



25



2(pcs)

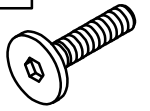
23



2(pcs)

STEP19: Following below illustration.

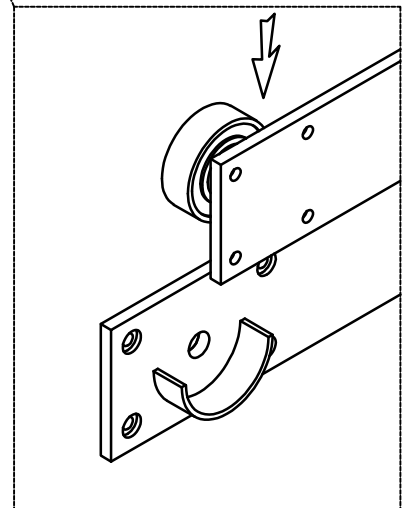
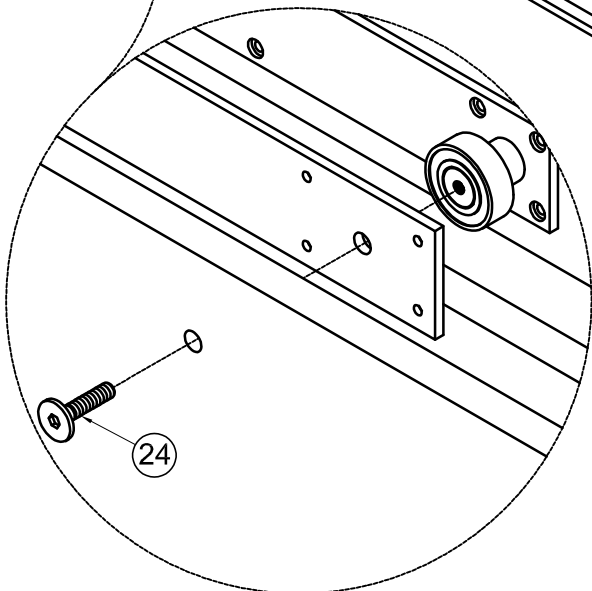
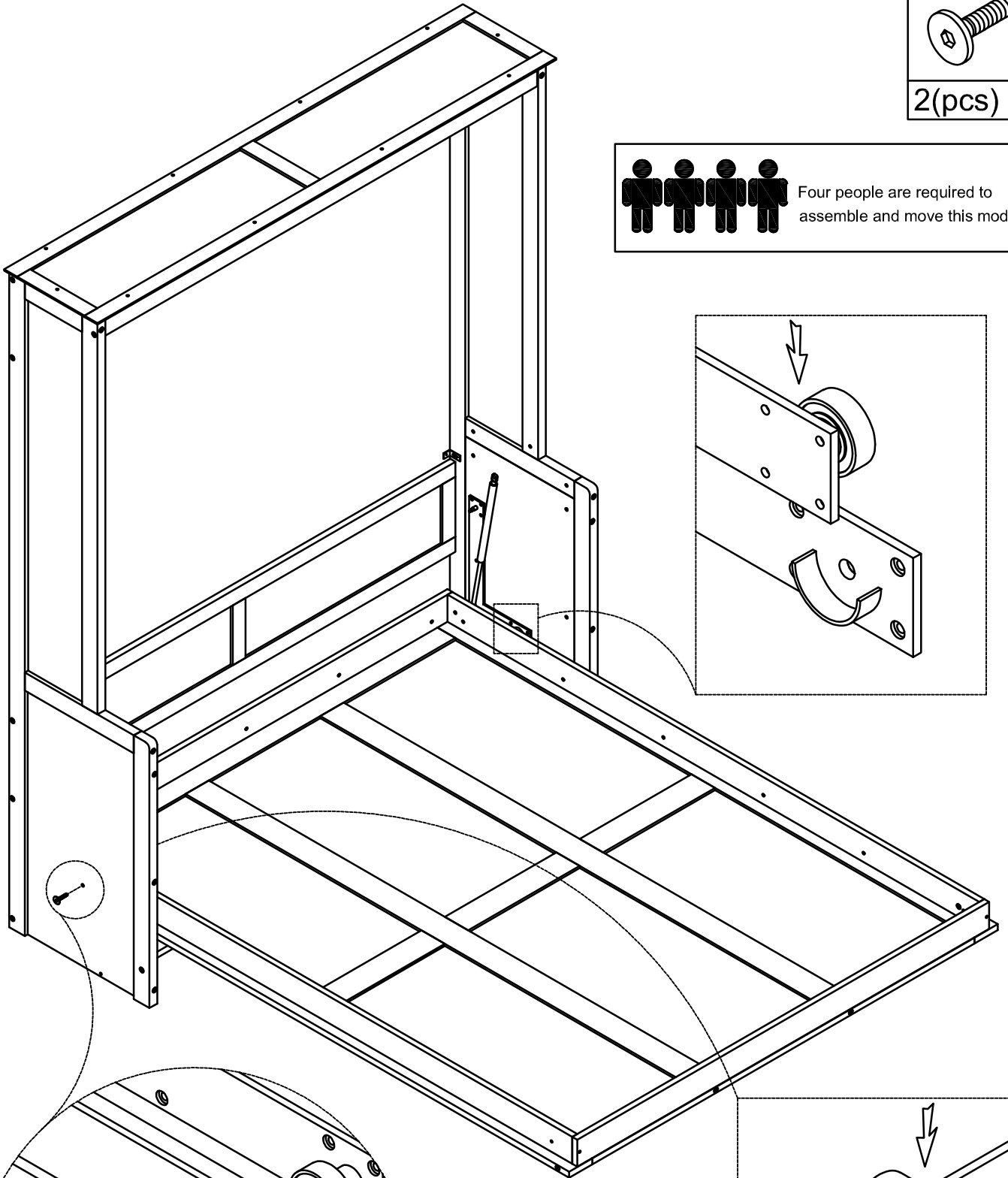
24



2(pcs)



Four people are required to assemble and move this model.



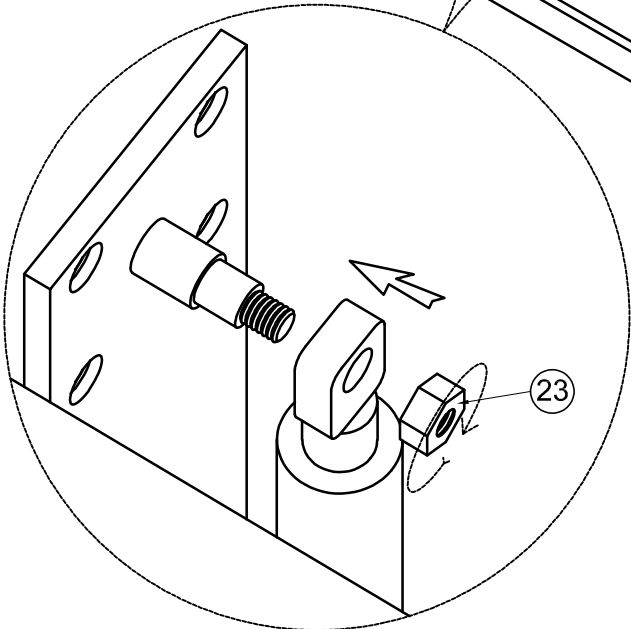
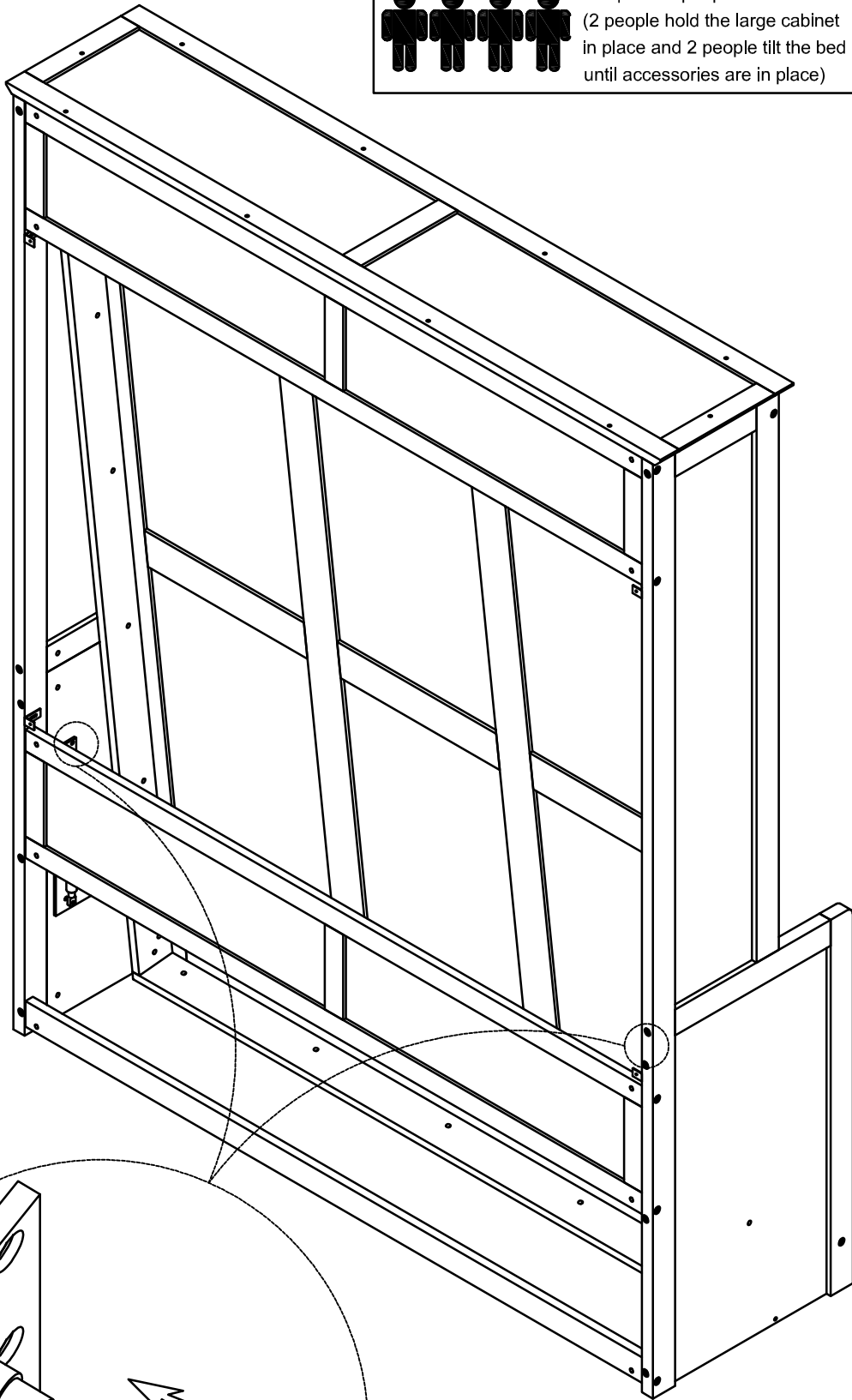
STEP20: Following below illustration.

 .Requires 4 people to assemble
(2 people hold the large cabinet
in place and 2 people tilt the bed
until accessories are in place)

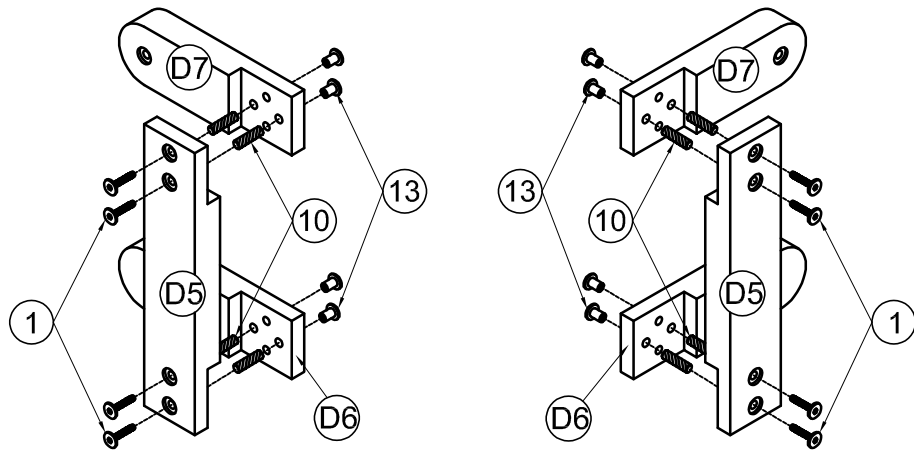
23


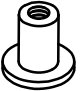
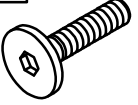


2(pcs)

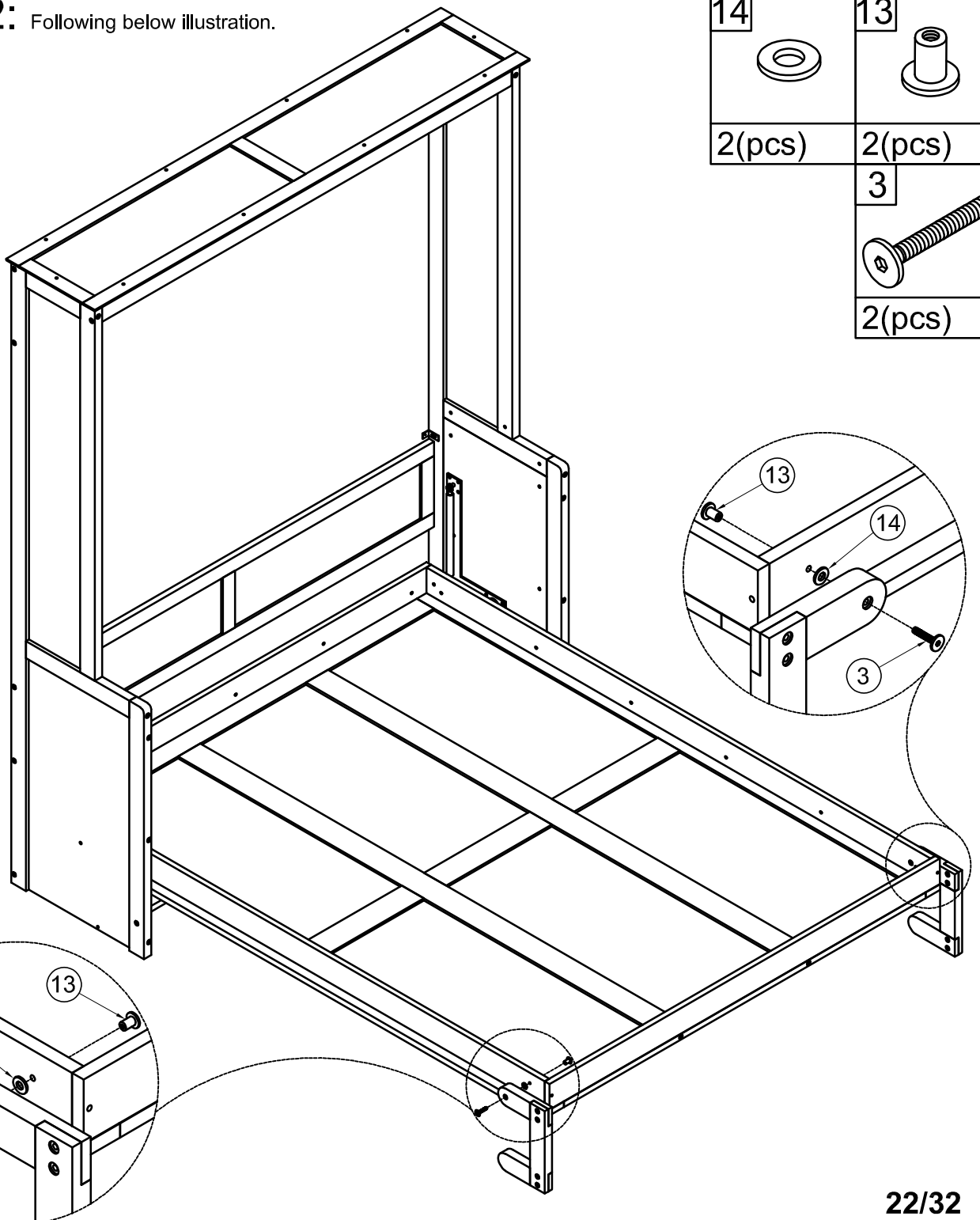



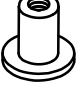
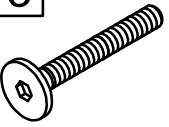
STEP21: Following below illustration.



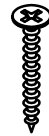

10		13	
8(pcs)		8(pcs)	
		1	
		8(pcs)	

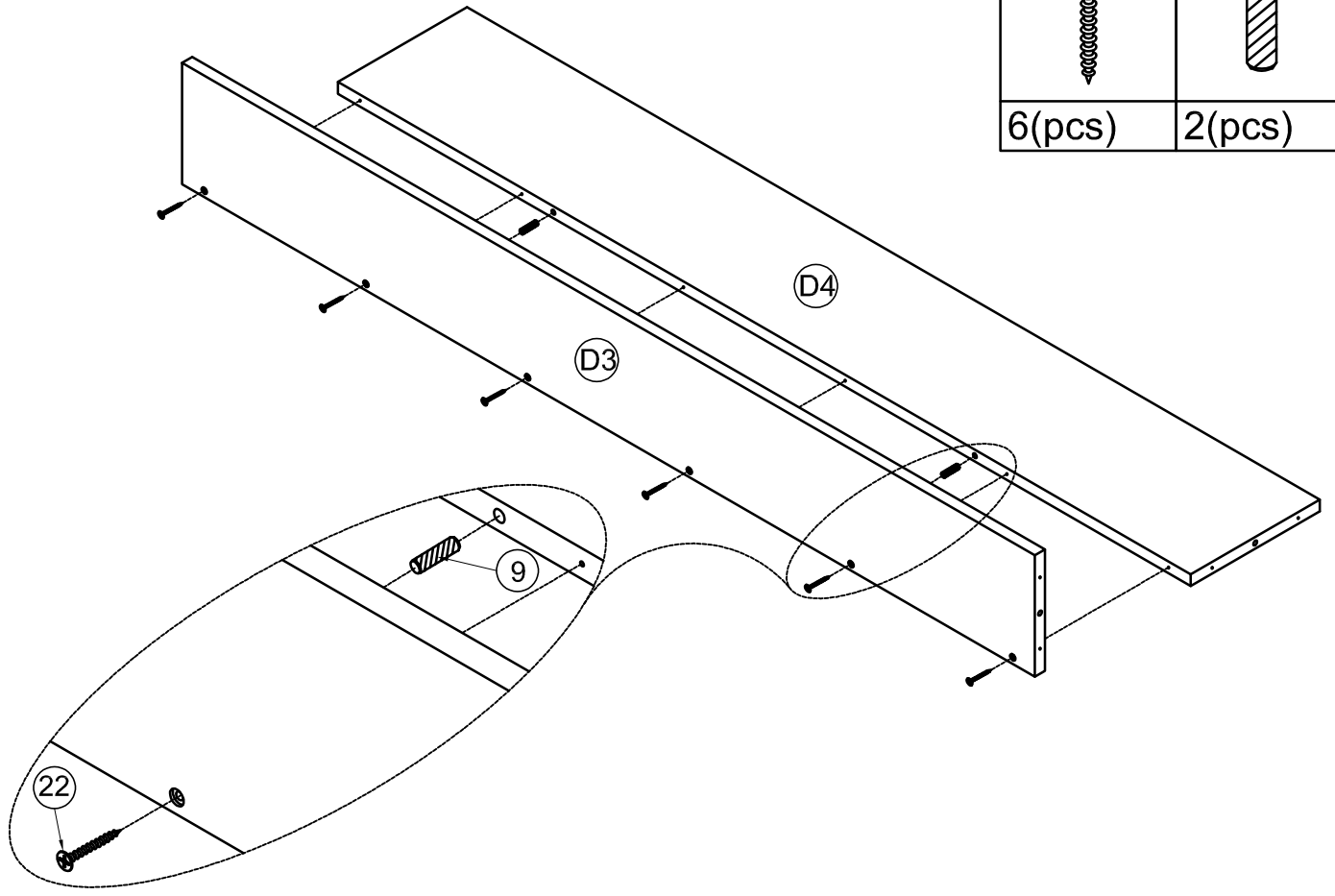
STEP22: Following below illustration.





14		13	
2(pcs)		2(pcs)	
		3	
		2(pcs)	

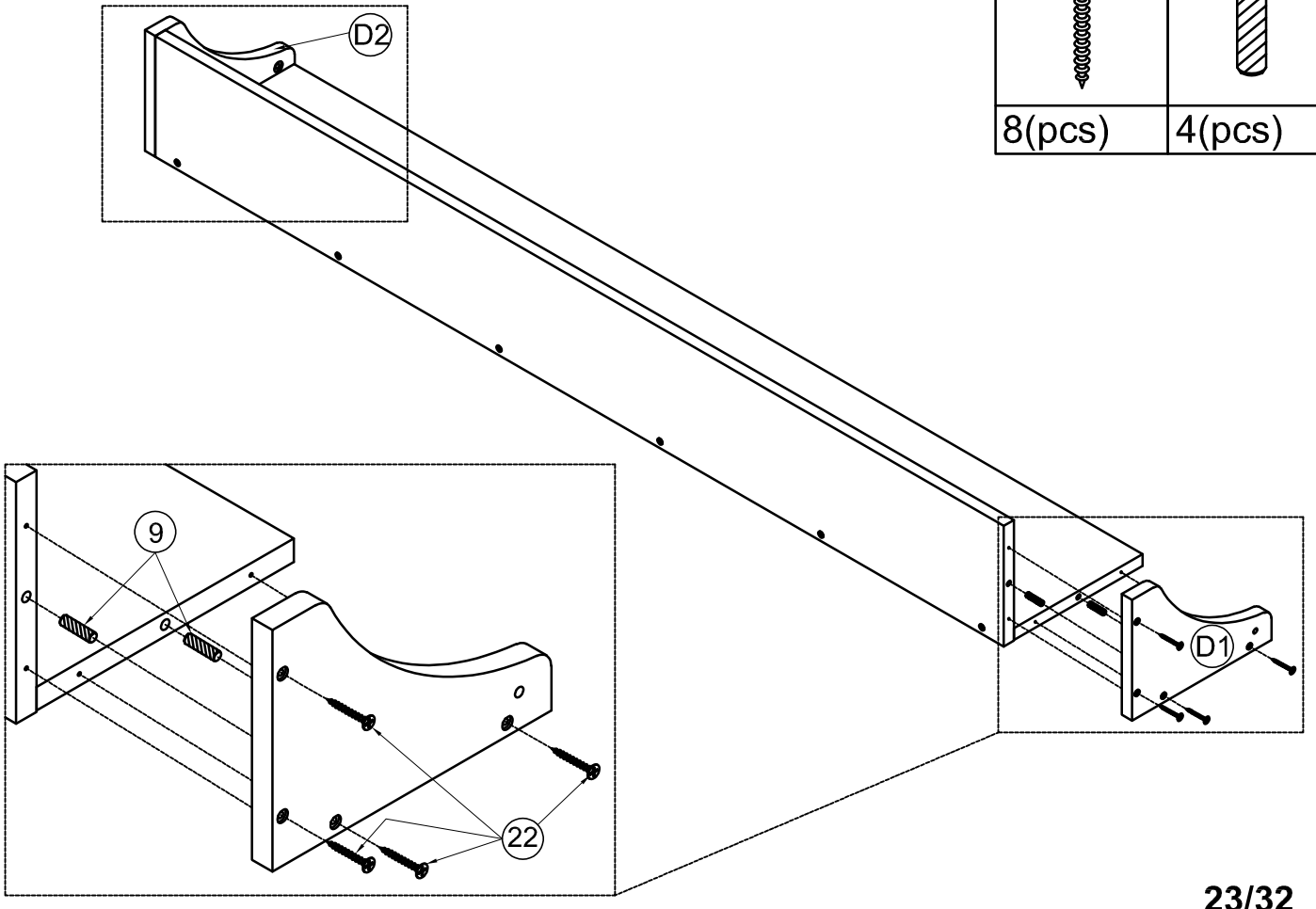
STEP23: Following below illustration.

22		9	
6(pcs)		2(pcs)	


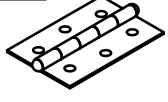


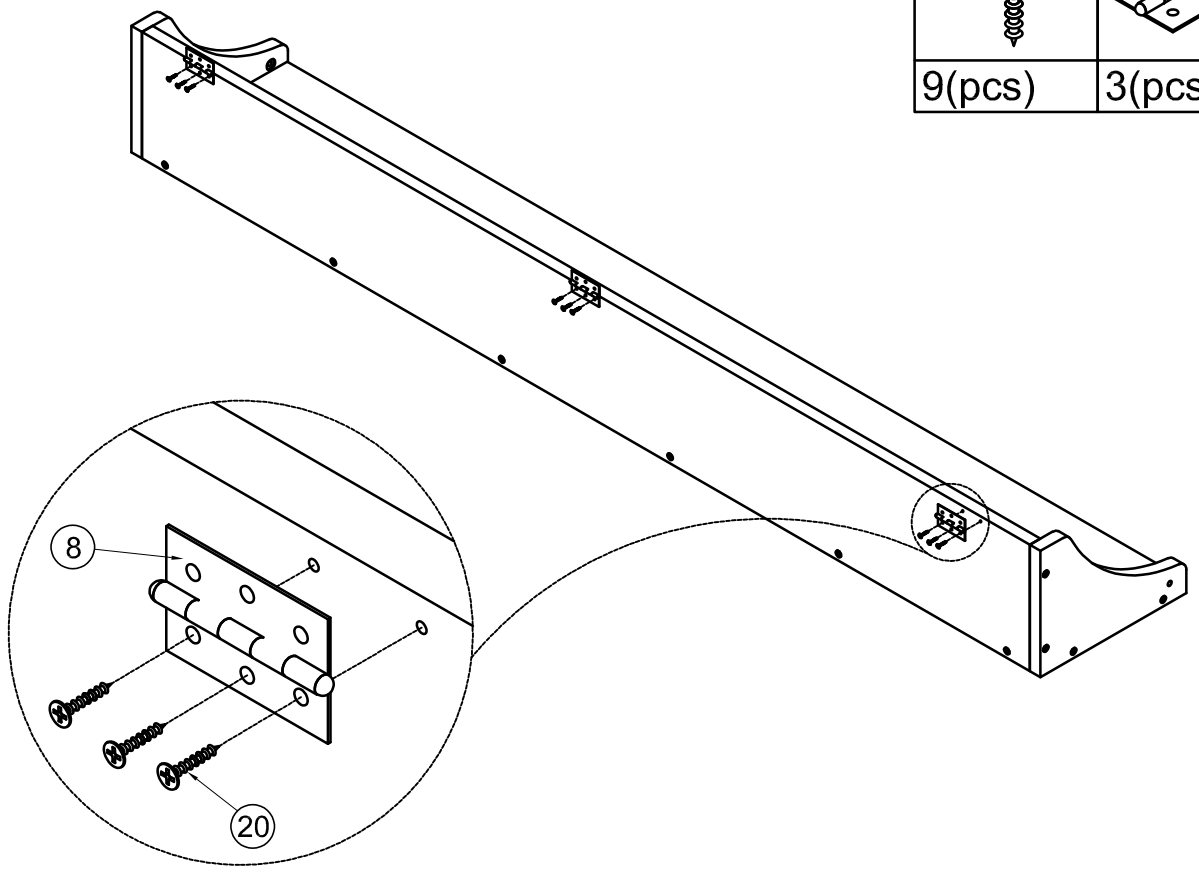
STEP24: Following below illustration.

22		9	
8(pcs)		4(pcs)	




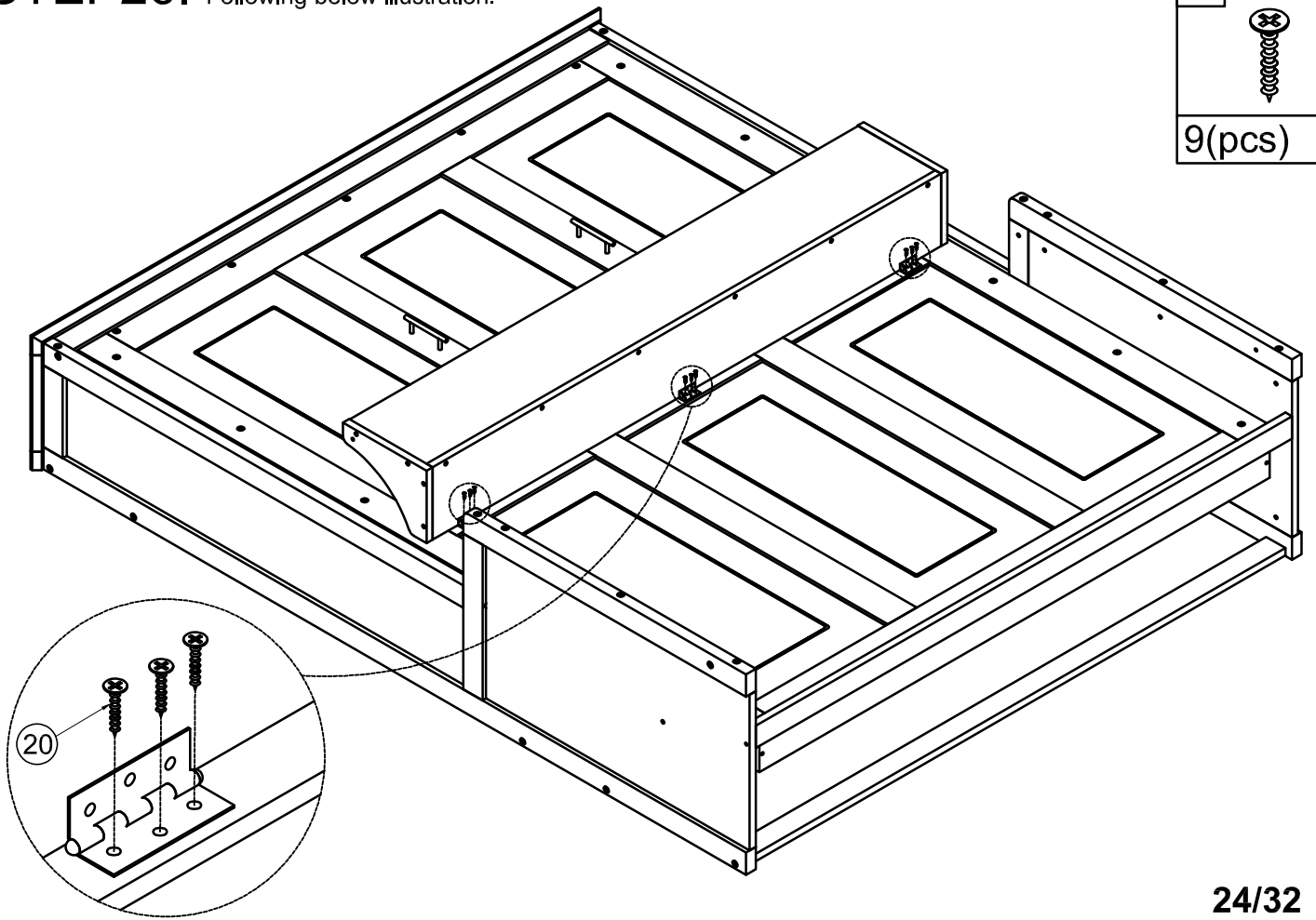
STEP25: Following below illustration.

20		8	
9(pcs)		3(pcs)	

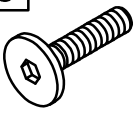

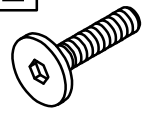



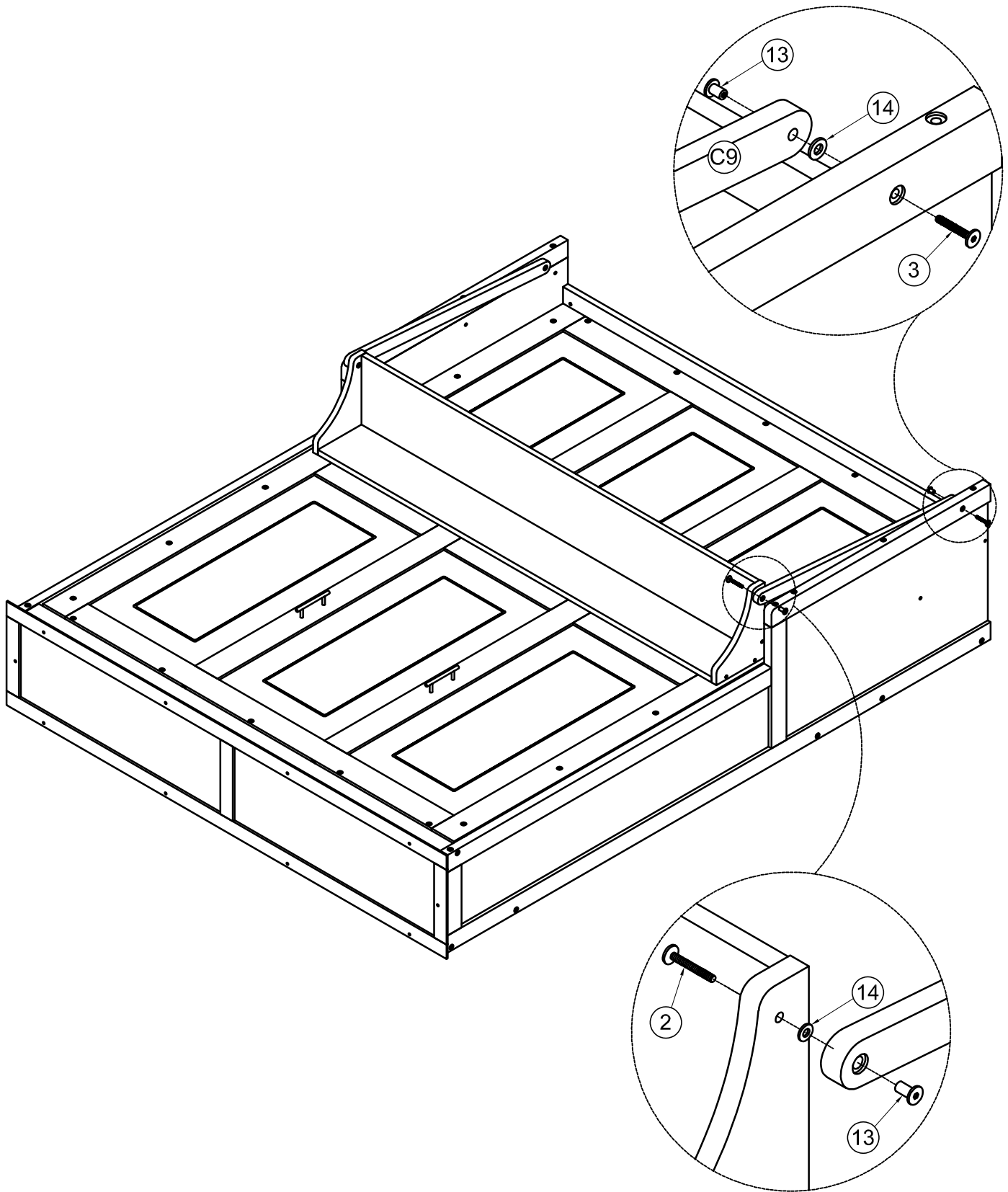
STEP26: Following below illustration.

20	
9(pcs)	

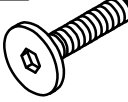

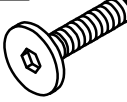



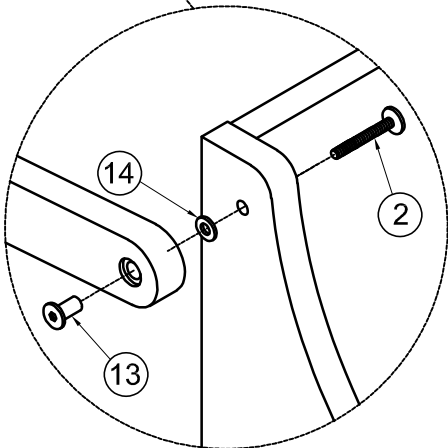
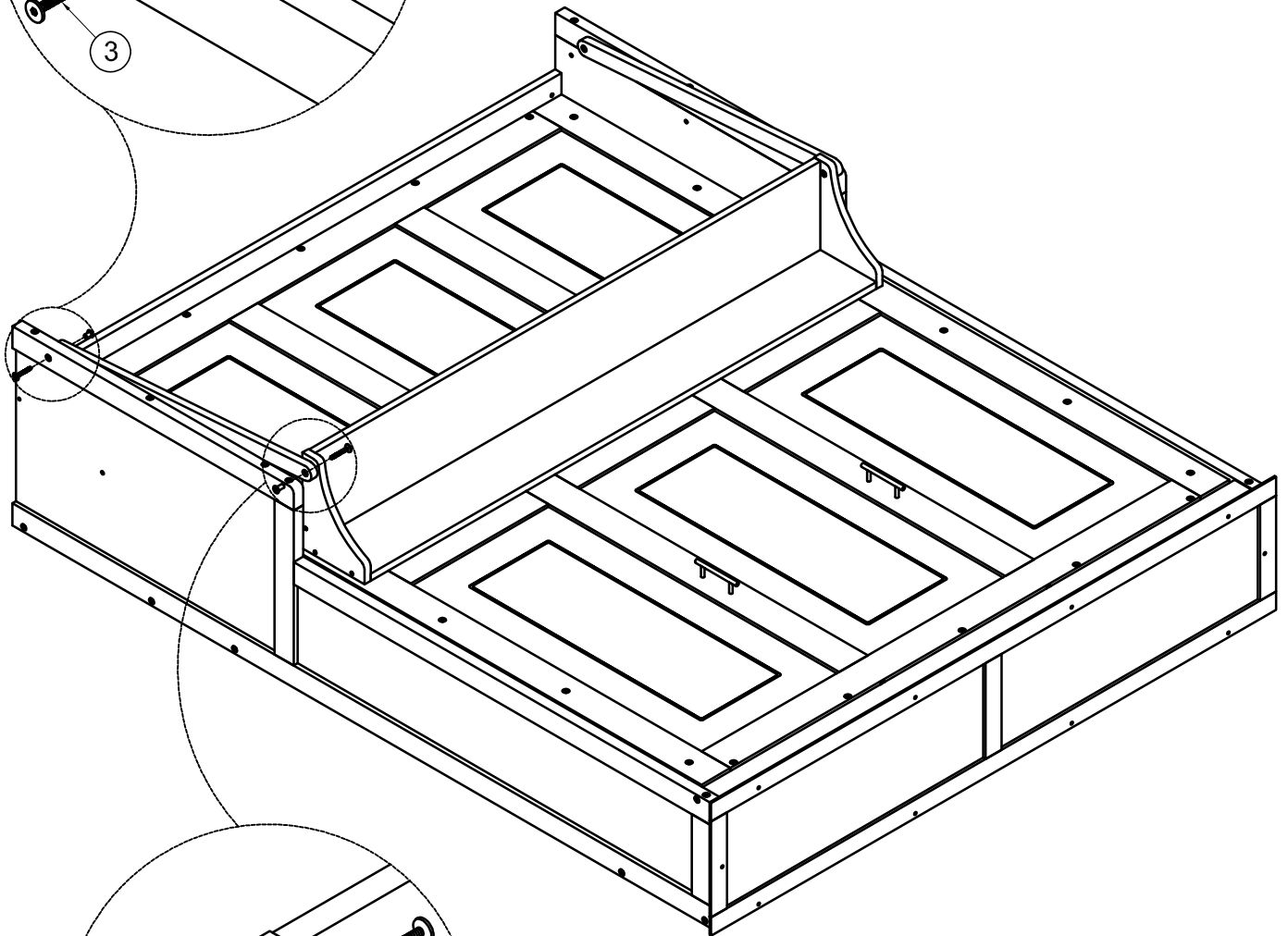
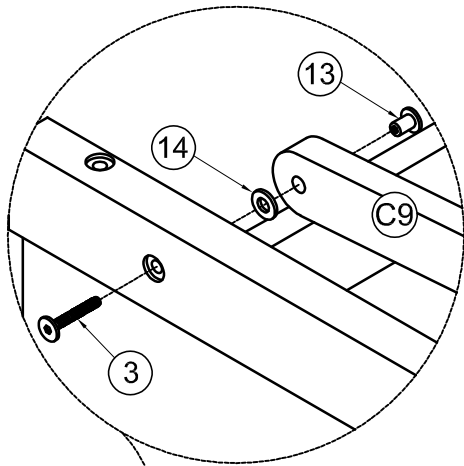
STEP27: Following below illustration.

3	14	2	13
			
1(pc)	2(pcs)	1(pc)	2(pcs)

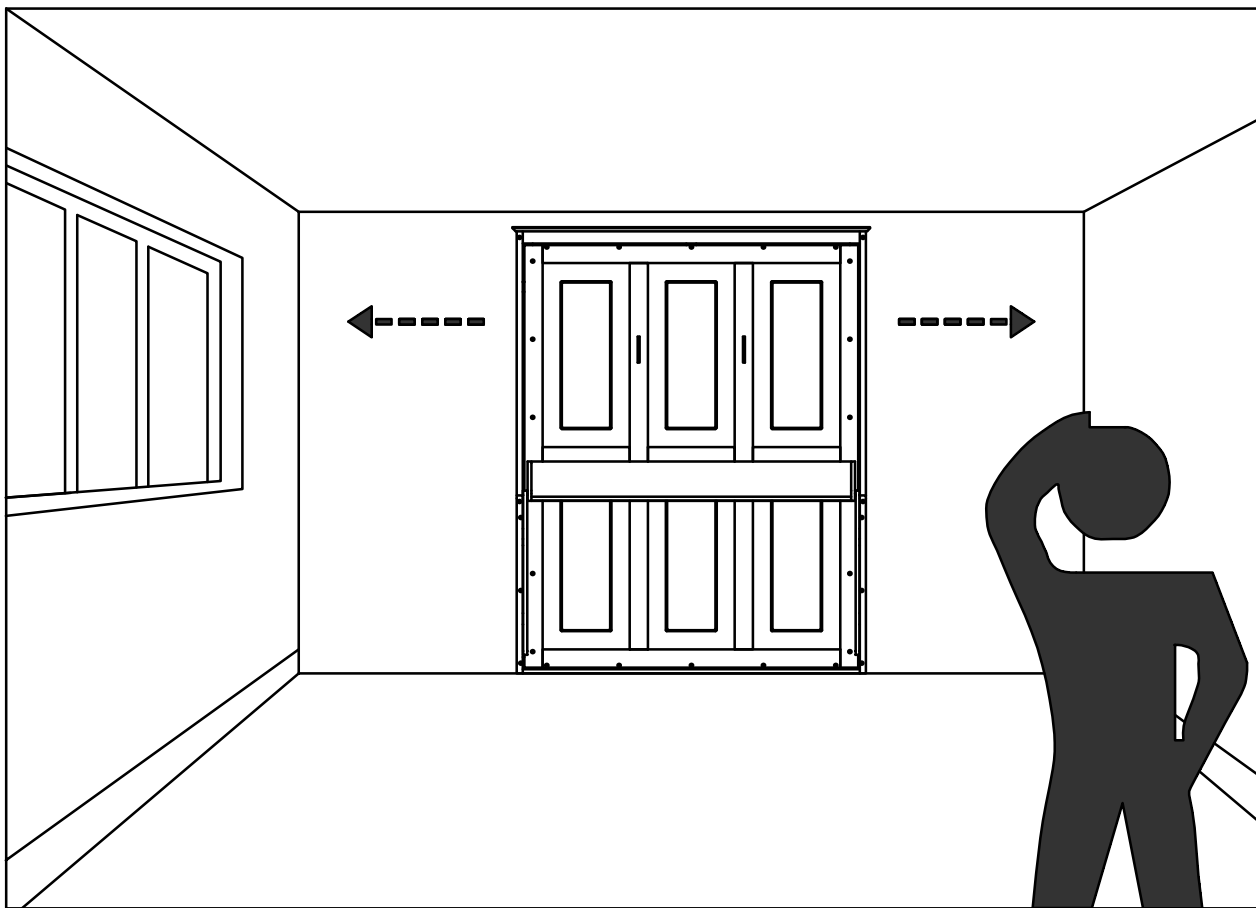


STEP28: Following below illustration.

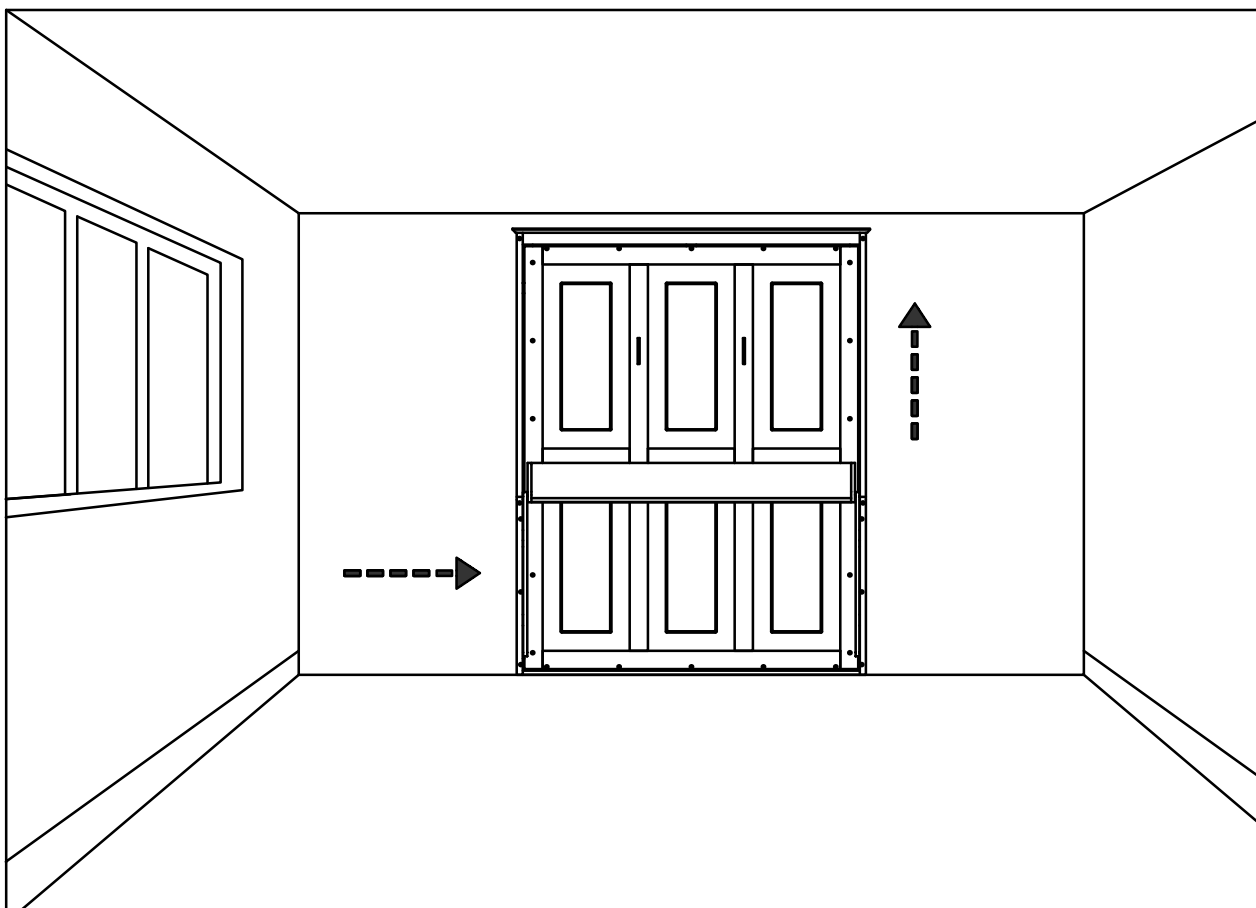
3	14	2	13
			
1(pc)	2(pcs)	1(pc)	2(pcs)



1- Determine the position of the bed in the room.




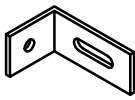

2- Put the bed back in its place. Please keep it vertical and horizontal.

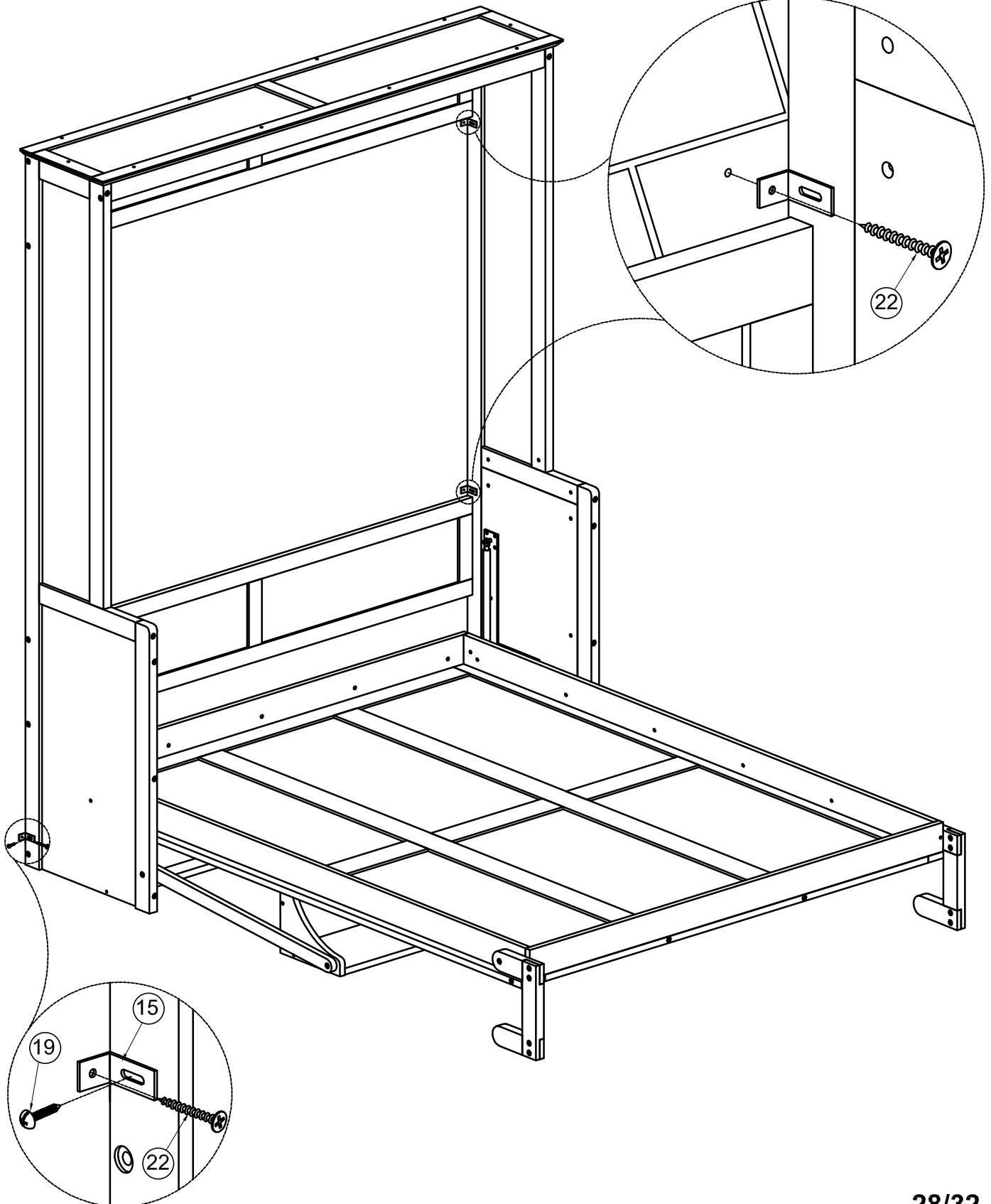


STEP29: Following below illustration.


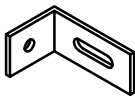



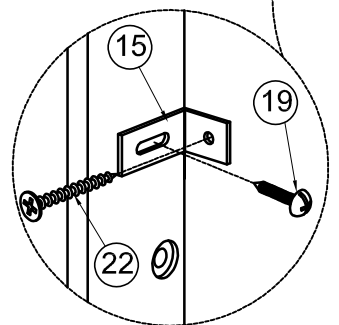
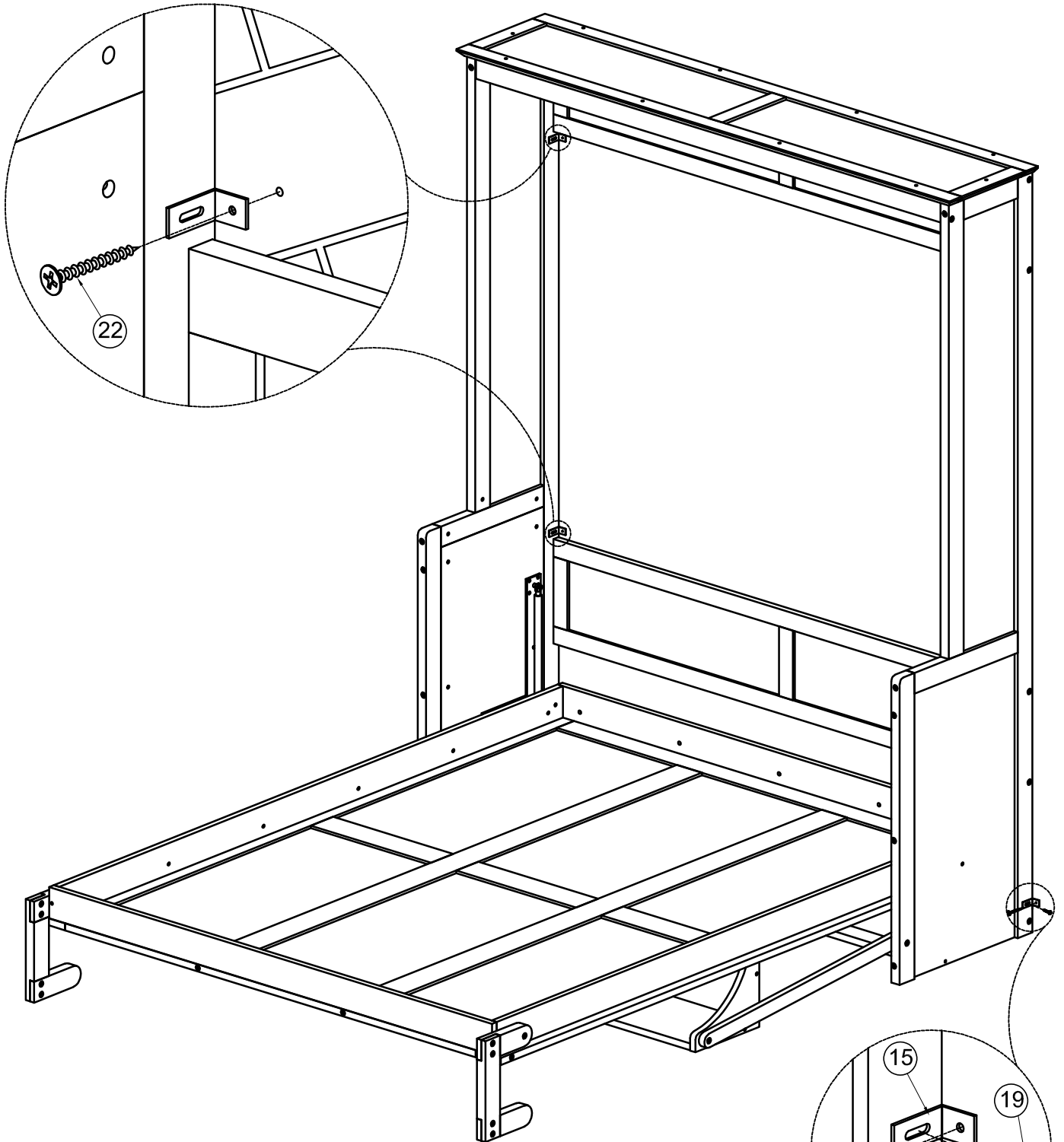
Four people are required to assemble and move this model.

19	15	22
		
1(pc)	1(pc)	3(pcs)

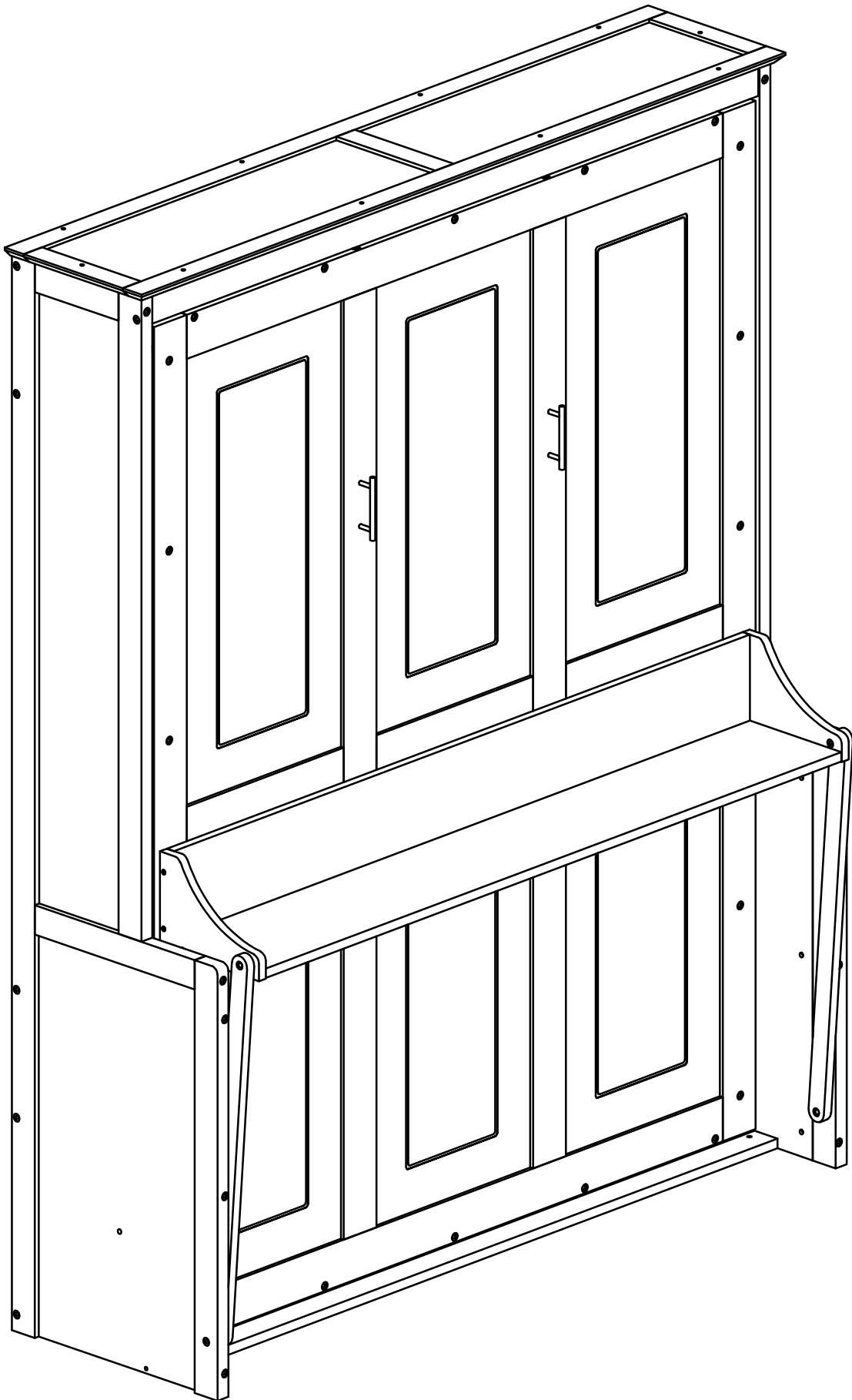


STEP30: Following below illustration.

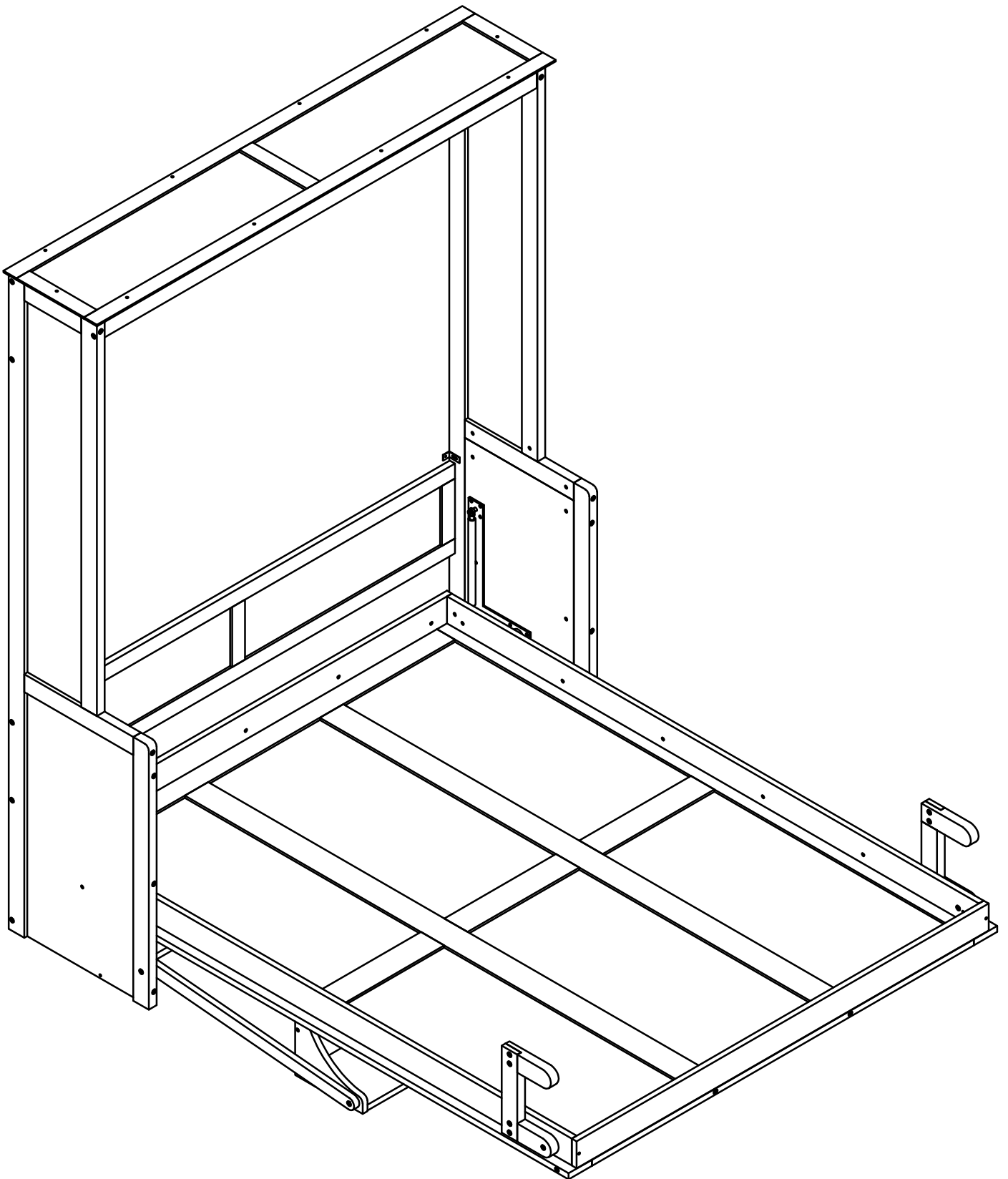
19	15	22
		
1(pc)	1(pc)	3(pcs)



OPTION 2



STEP 1: Following below illustration.



STEP2: Following below illustration.

