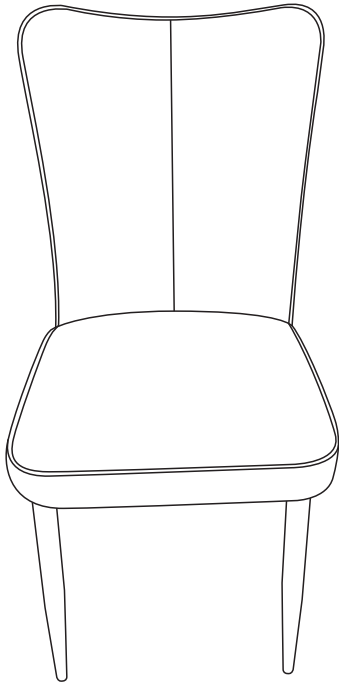
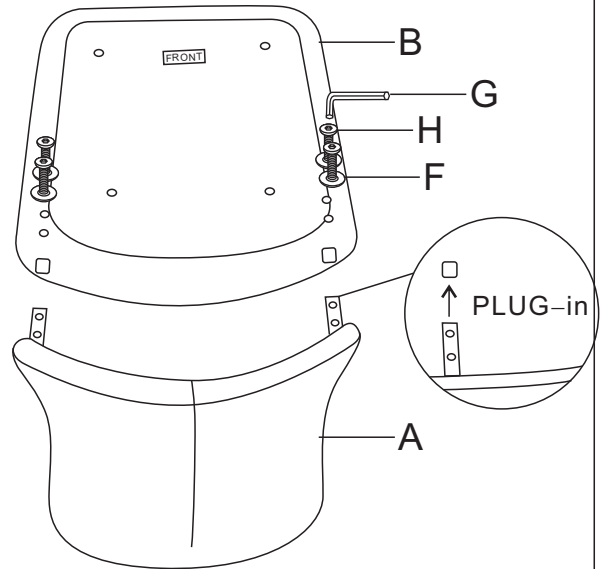


ASSEMBLY INSTRUCTIONS

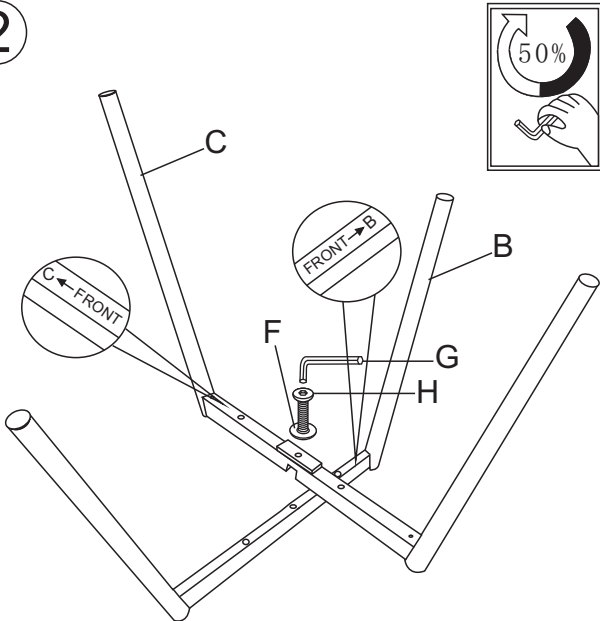
C-008



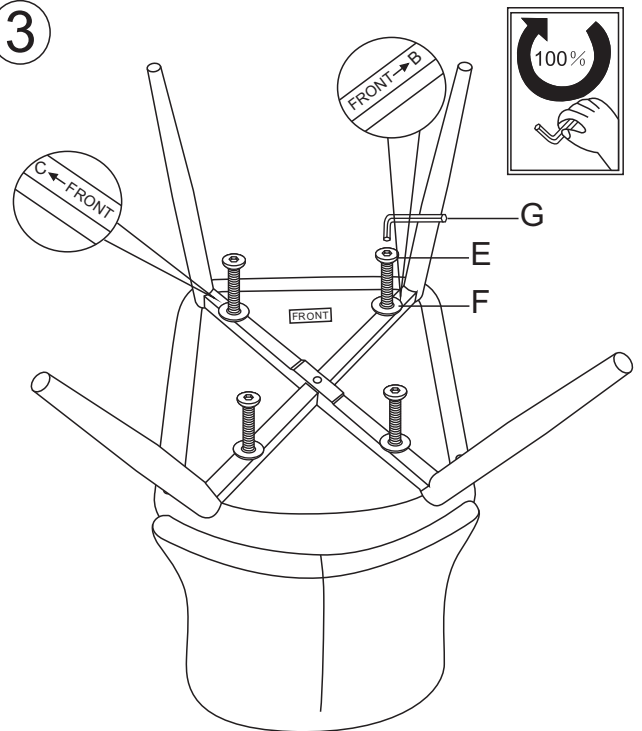
1



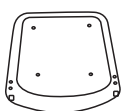
2



3



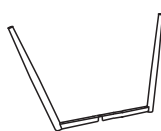
Ax1



Bx1



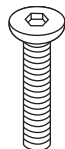
Cx1



Dx1



Ex4



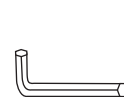
M6x45mm

Fx9

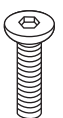


M6x16mm

Gx1



Hx5



M6x16mm