

# 3016-MBK

Kinsmon



## Fixture Attributes

**Category:** Interior Pendant

**Finish:** Matte Black

**Body:** Steel+Aluminum

**Shade Finish:** Clear

**Overall Size:** 10"x10"x65.24"

**Rod/Chain Length:** 3\*12"+2\*6"

**Max. Height from Ceiling:** 65.24"

**Min. Height from Ceiling:** 17.24"

**Weight of fixture:** 4.08 LBS

**Certifications/Qualifications:** UL / cUL

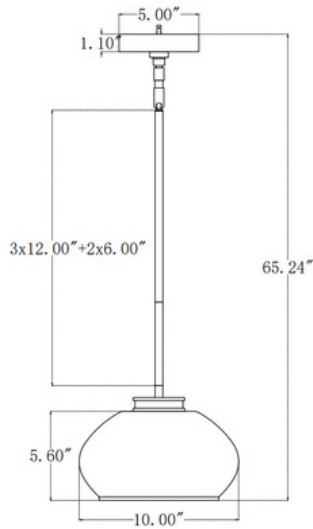
**Smart SkyPlug Compatible:** N/A

**Warranty:** [www.skyplug.com/warranty](http://www.skyplug.com/warranty)

Available  
Finishes

Matte Black

Brushed Nickel



## Light Source

**Lamp** Not Included

**Lamp Type:** G25

**Incandescent or LED**


**Number of bulbs:** 1

**Max Wattage/Range:** 60W

**Voltage:** 120

**Socket Type:** E26 MED BASE

## Mounting / Installations

 Plug-in Mounting System

**Lead Wire Length:** 58"

**Wire Type:** 1015 105°C

**Location Rating:** Damp

**Luminaire Support:** Max. 50 lbs

**SkyPlug:** SPU-3L

**SkyOutlet:** SR-3L



**Project:** \_\_\_\_\_  
**Company:** \_\_\_\_\_  
**Location:** \_\_\_\_\_  
**Approved:** \_\_\_\_\_  
**Notes:**