
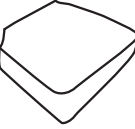
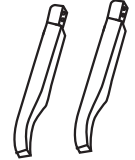

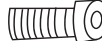

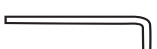

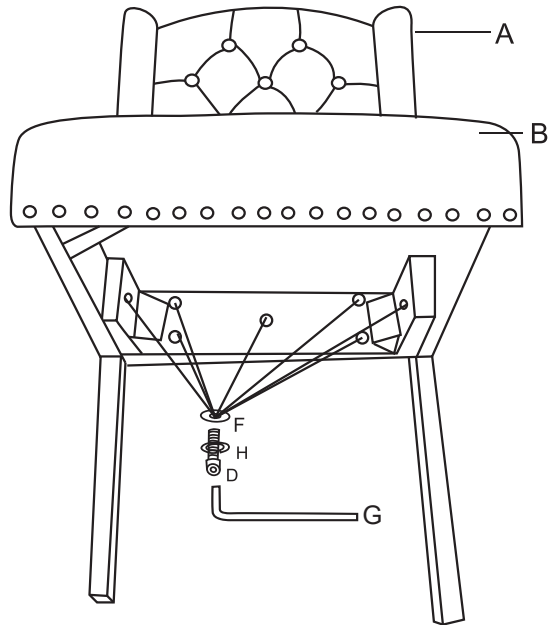


	Ax1 BACK	Bx1 SEAT	Cx2 FRONT LEGS	Dx7 SCREWS	Ex4 SCREWS	Fx11 WASHER	Gx1 SPANNER	Hx11 SPRING WASHER
				 M8x55mm	 M8x60mm			

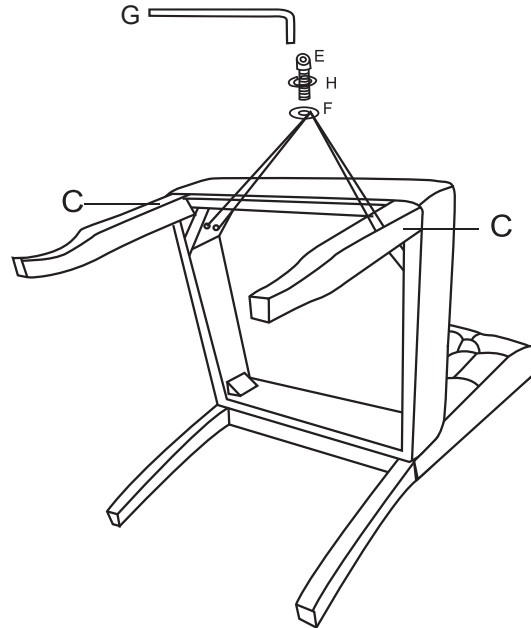
STEP1



Loosely install the center bolt first, then loosely install both sides

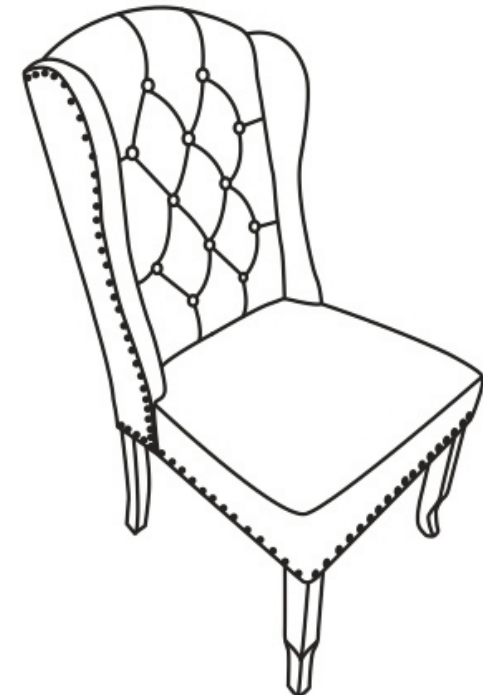
STEP2

Firm pressure is required to push legs into the leg pockets



Tighten all bolts properly on even ground

ASSEMBLY INSTRUCTION



CLEANING OF PU/LEATHER COVER - WIPE CLEAN WITH A SOFT CLOTH MOISTENED WITH WATER AND NEUTRAL DETERGENT. DO NOT USE BLEACH, CHEMICAL OR BIOLOGICAL CLEANERS.