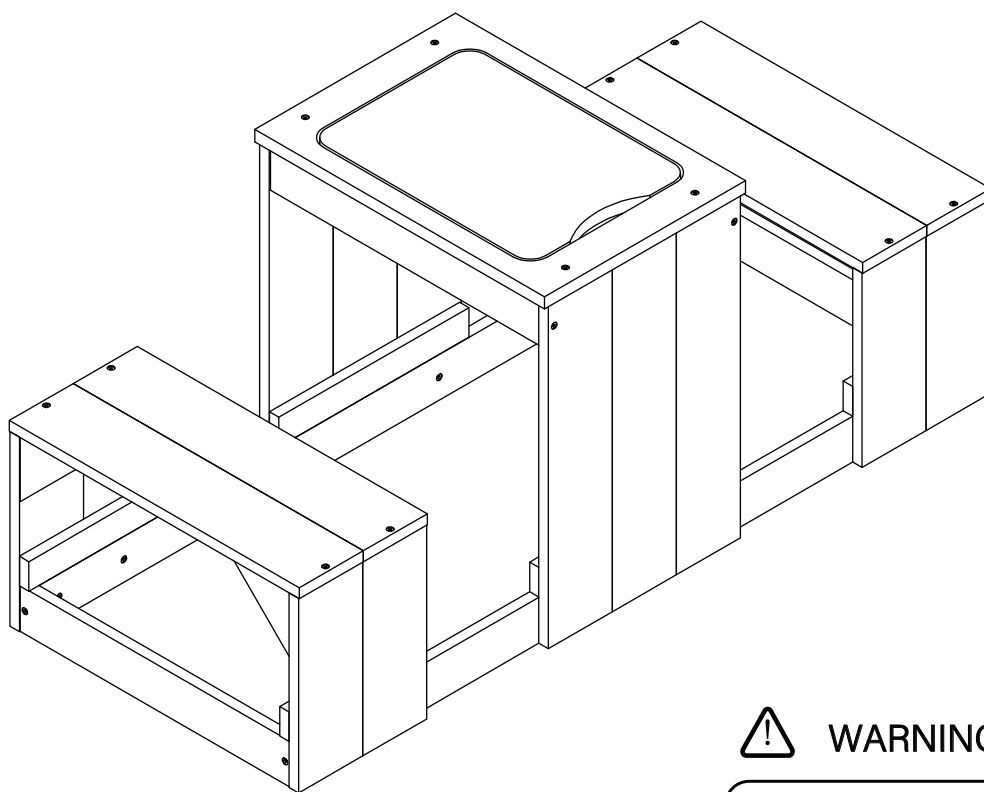


Age 3+

KizzParnrr



WARNING: Assembly by adult.



WARNING:
CHOKING HAZARD—Small parts
Not for children under 3 yrs.

INSTALLATION INSTRUCTIONS

Wooden Playhouse with Sand and Water Table

Model Number: KP-PLS01-GYBR

KP-PLS01-BLWH

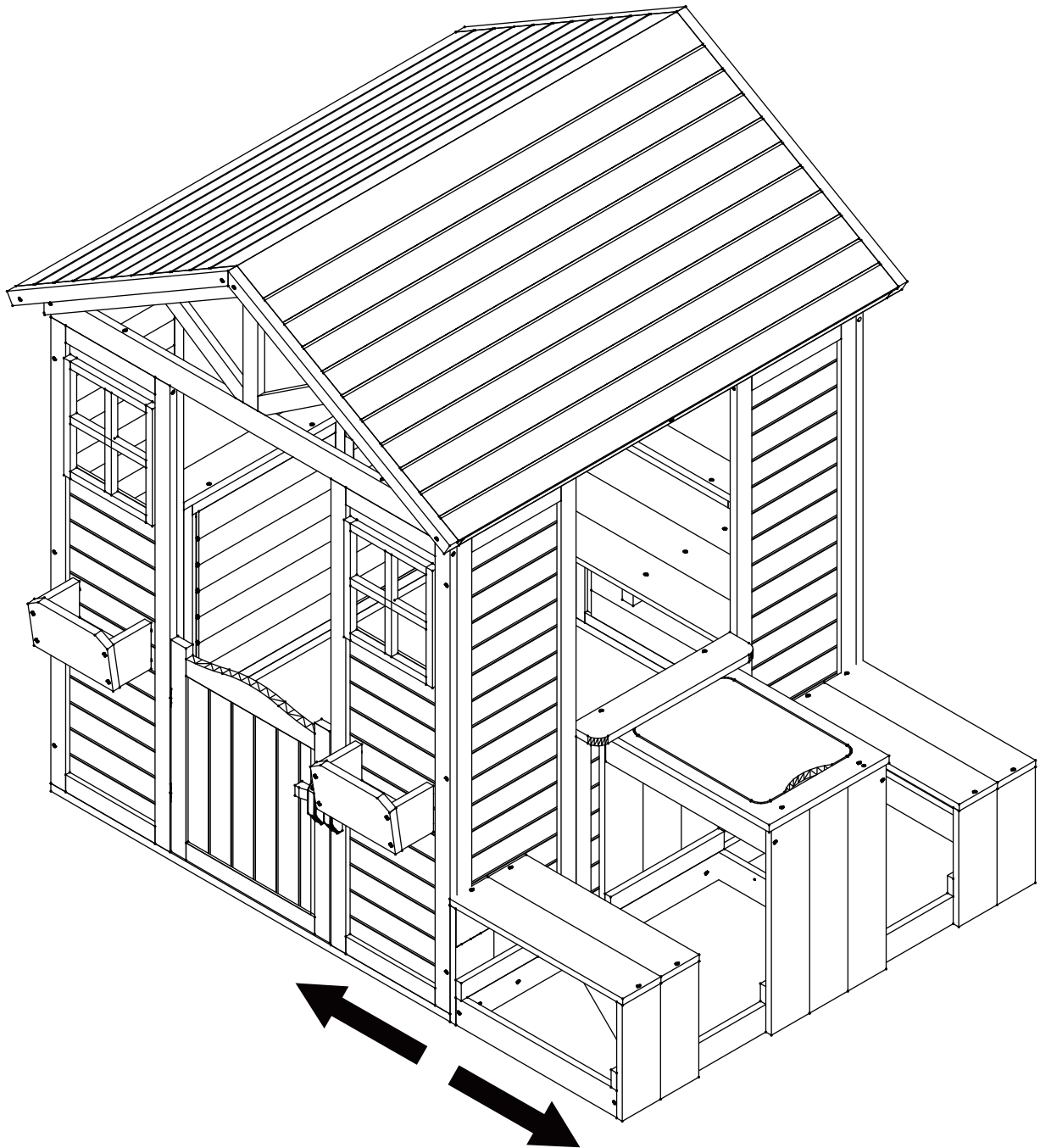
Service Contact: kizzparnrr@gmail.com

! NOTE:

These instructions are for the Sand and Water Table installation.

The complete product is shown below.

The Sand and Water Table and Playhouse can be detached for separate use.



KizzParnrr

Assembly and Installation

Ensure that the item is assembled and installed in accordance with the enclosed instructions. Before commencing assembly, read the included assembly manual and check the components for completeness. Use only the provided or recommended fastening elements. Retain the enclosed documents for future reference.

Placement

Position the item on a level and stable surface to minimize the risk of tipping. Avoid placing it in windy areas to ensure stability and safety. If the item is placed in a windy location, secure it against tipping. Additionally, avoid placement in areas where moisture cannot dry to prevent mold

Safety

Use the product under adult supervision to avoid injury.

Maintenance and Care

Regularly inspect the fastenings and safety elements of the item and fasten any loose connections. Clean the item regularly to ensure the durability of the material. Avoid using corrosive cleaning agents, as they may damage the material. Metal parts can be cleaned with a damp cloth. As it is a natural product, wood may change due to weather and sun exposure. To protect the material, apply an additional layer of varnish every 1-2 years.

Disposal

Dispose of the item at the end of its lifespan in accordance with local regulations and environmental requirements. For more information on product disposal, contact your municipality or city administration.

Usage

Non-intended use may lead to product damage. No liability is assumed for damages resulting from non-intended use. The product is not intended for commercial purposes.

Thank you for choosing KizzParnrr!

- Please check the package before you assemble them.
- Please contact us immediately if any parts missing or broken, we will send parts or replacement as soon as possible.

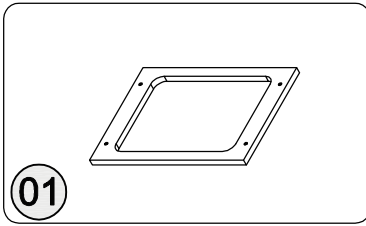
Customer Service

Please Contact Us if You Need Any Helps:

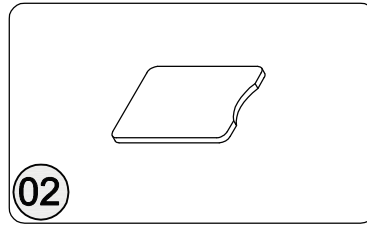
kizzparnrr@gmail.com

Address: Room 1707, No. 891 Haicang Avenue, Xiamen, China

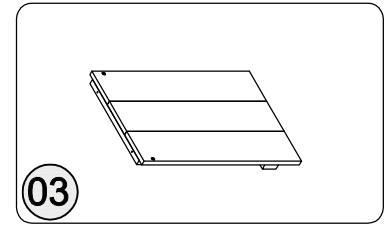
Board Identification



Desktop Frame
Qty:1



Internal desktop
Qty:1



On the side of the table
Qty:2

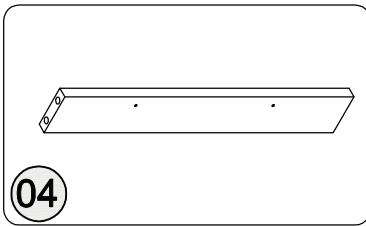
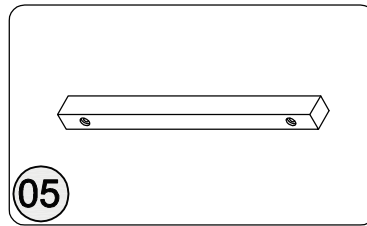
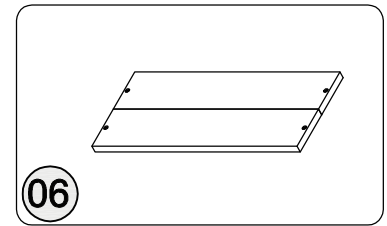


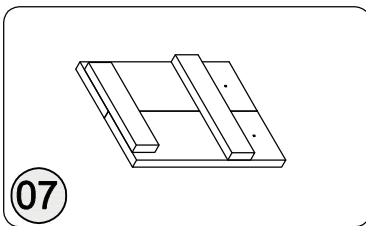
Table connection strip
Qty:2



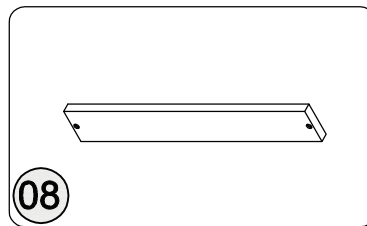
Pallet
Qty:2



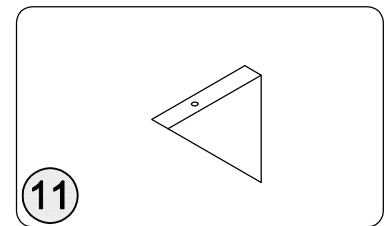
Stool panel
Qty:2



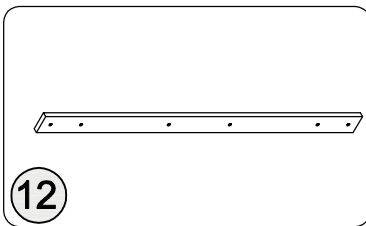
Stool side panel
Qty:4



Short foot board
Qty:2

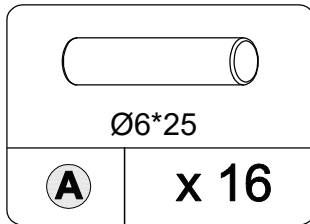


corner block
Qty:4

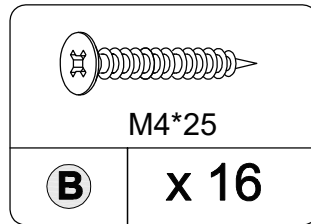


Long foot board
Qty:2

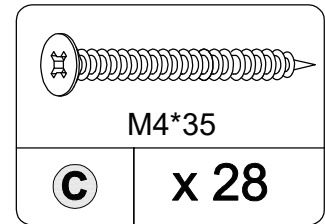
Hardware Identification



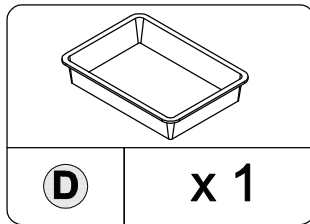
Wooden tenons



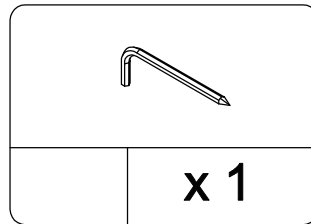
Screw



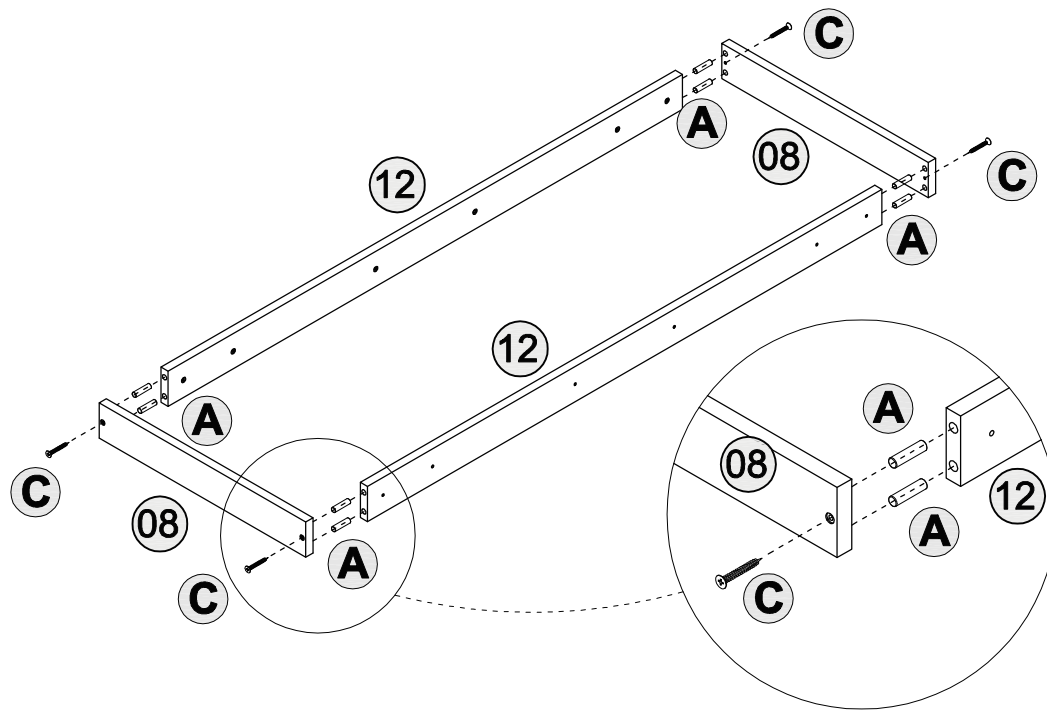
Screw

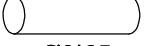



box



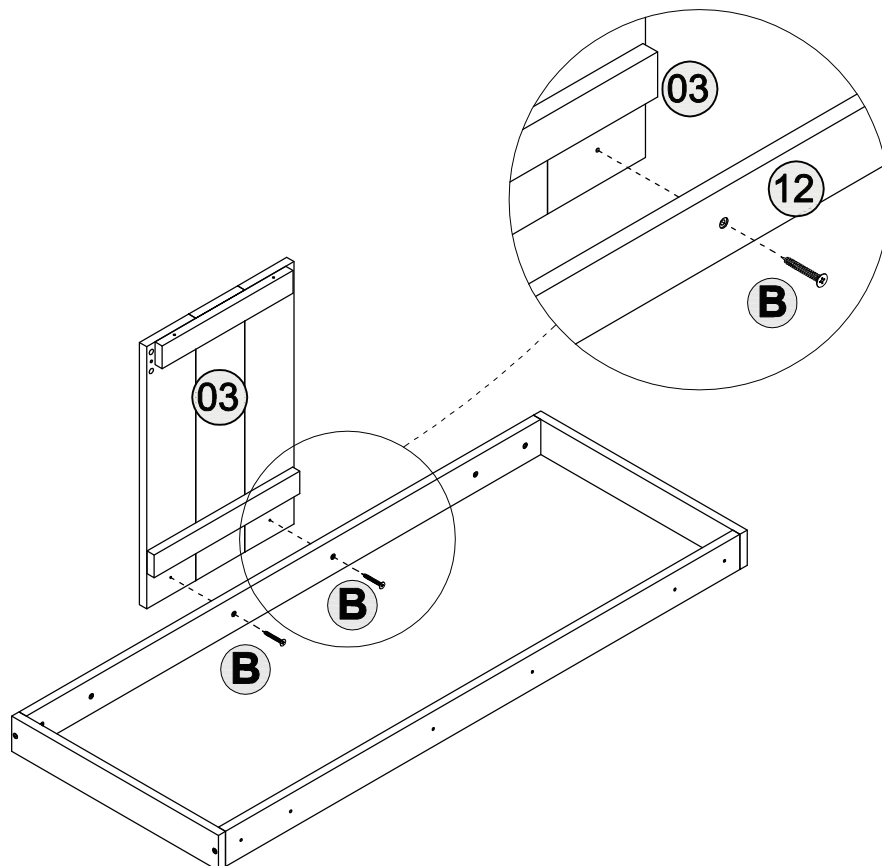
Step 1

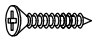


	
Ø6*25	
A	x 8


	
M4*35	
C	x 4

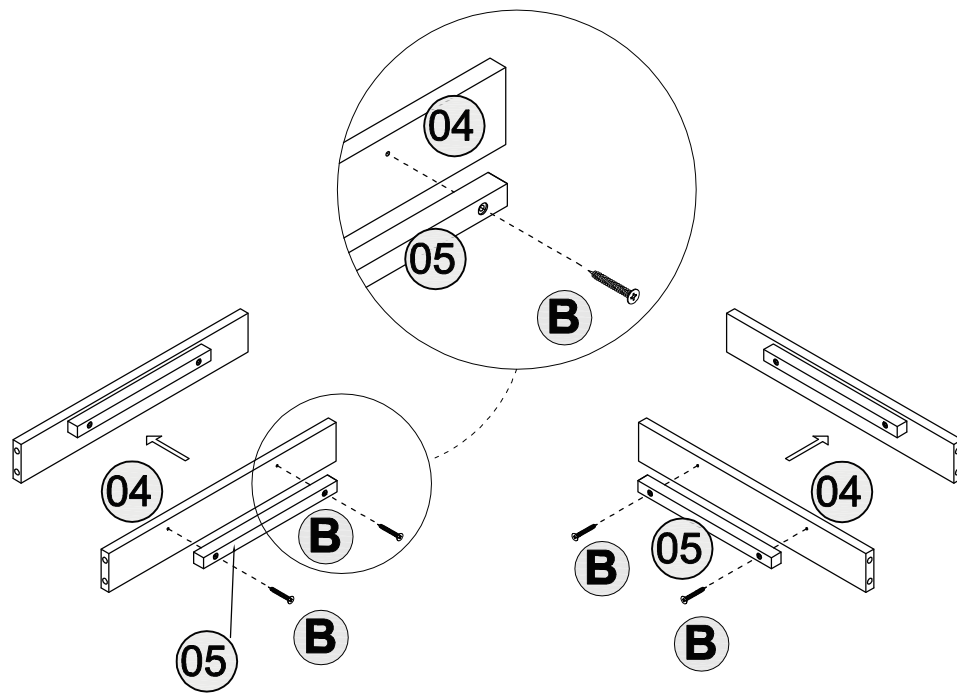
Step 2



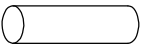
	
M4*25	
B	x 2

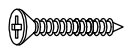
Step 3

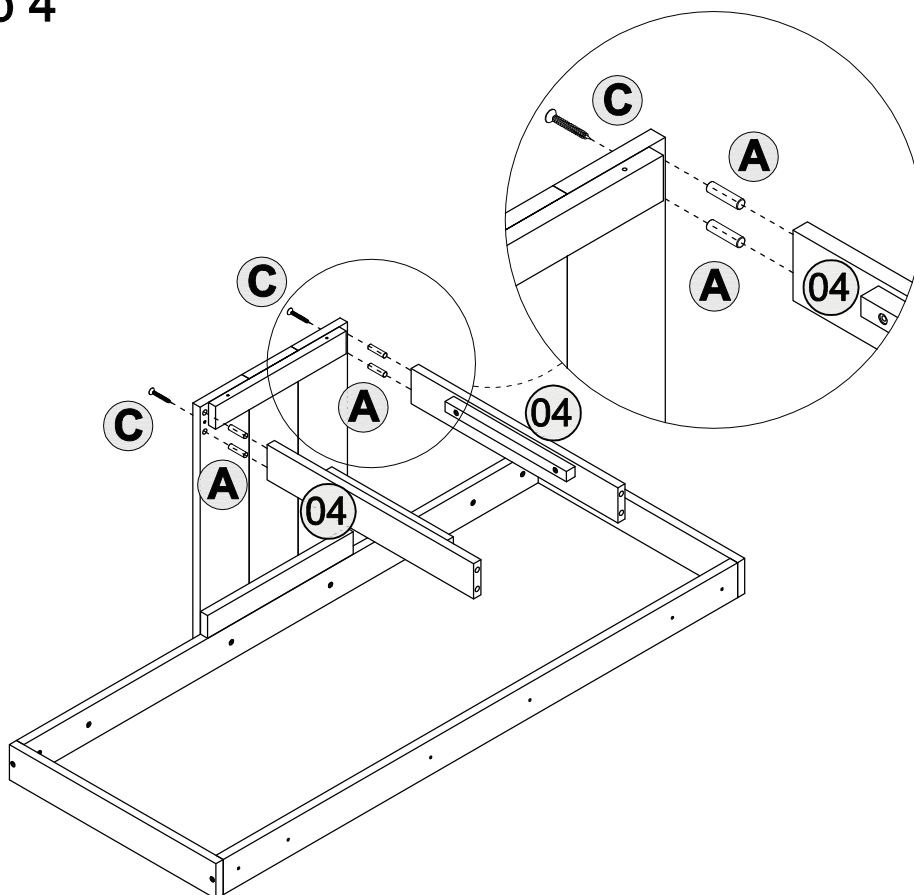
	
M4*25	
(B)	x 4



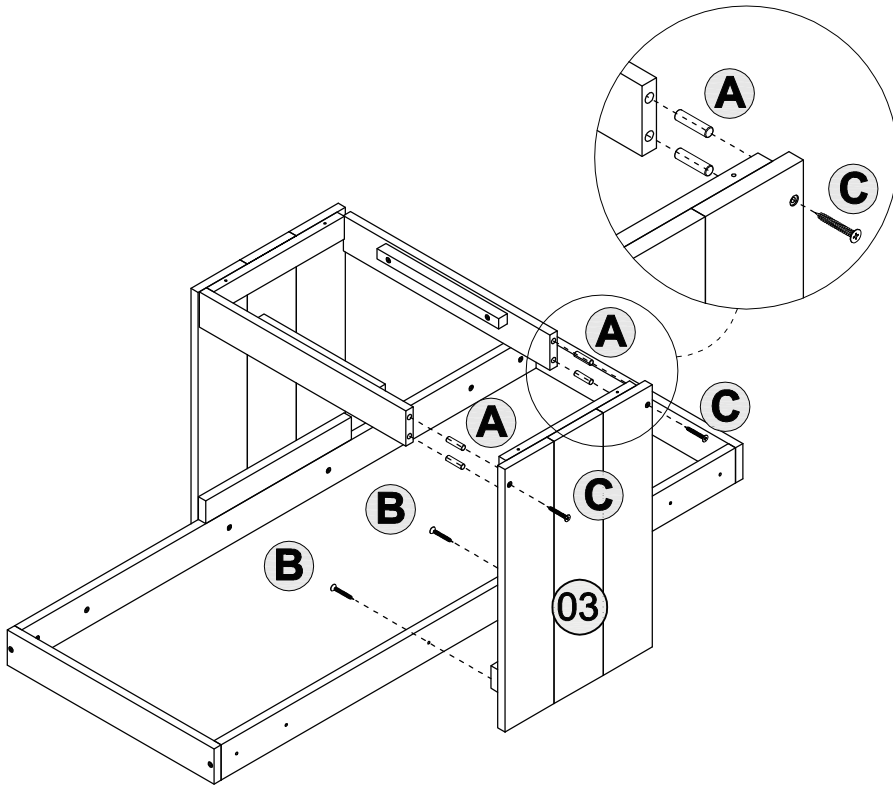
Step 4

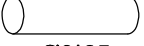
	
Ø6*25	
(A)	x 4


	
M4*35	
(C)	x 2

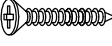


Step 5

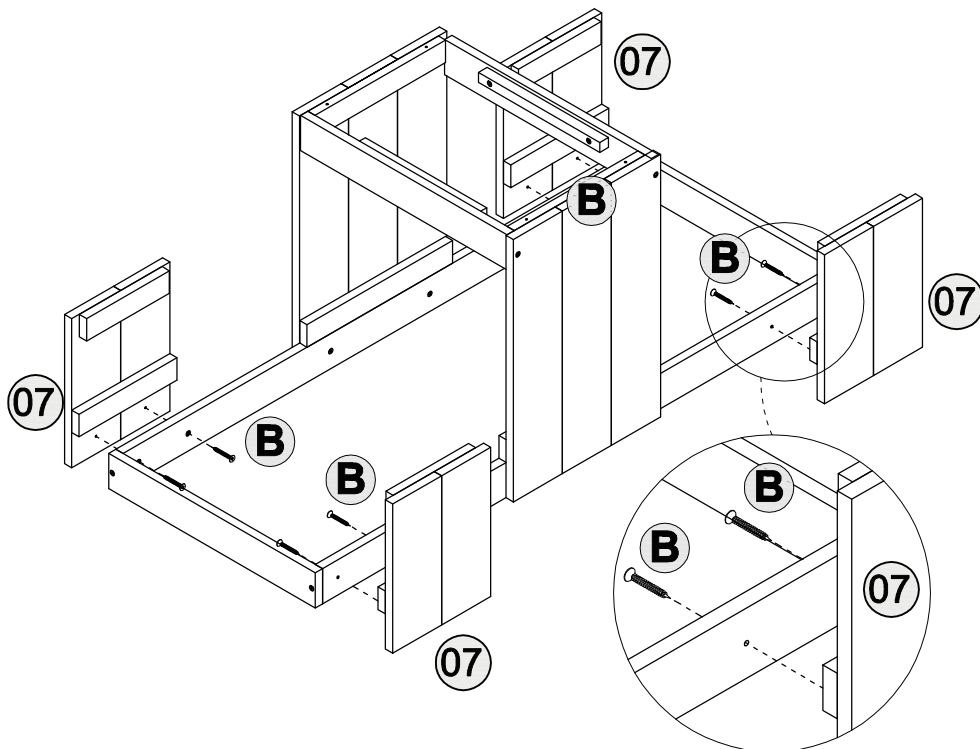



	
Ø6*25	
A	x 4

	
M4*25	
B	x 2

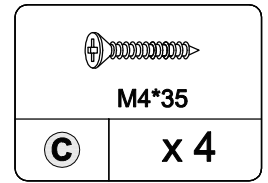
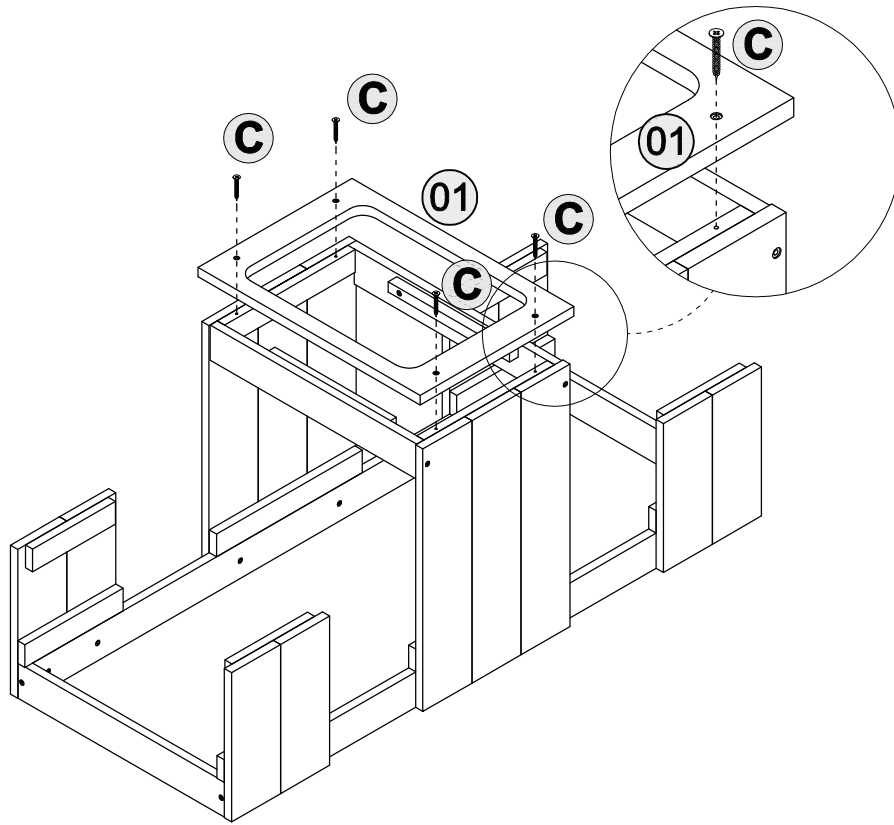
	
M4*35	
C	x 2

Step 6

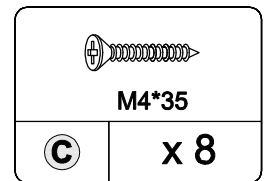
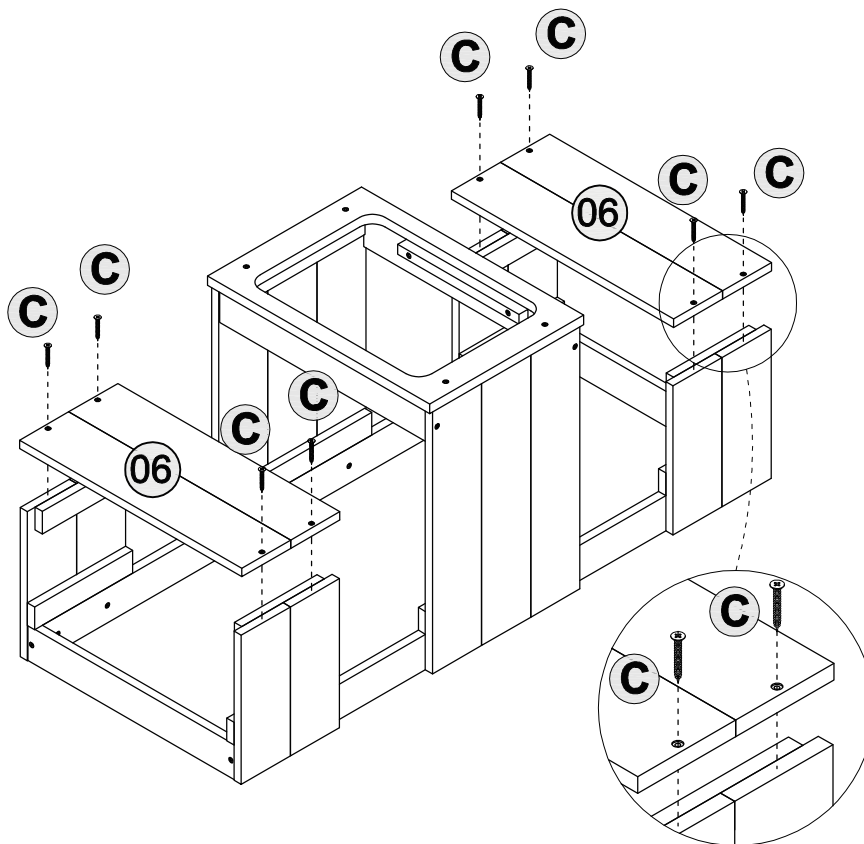


	
M4*25	
B	x 8

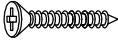
Step 7

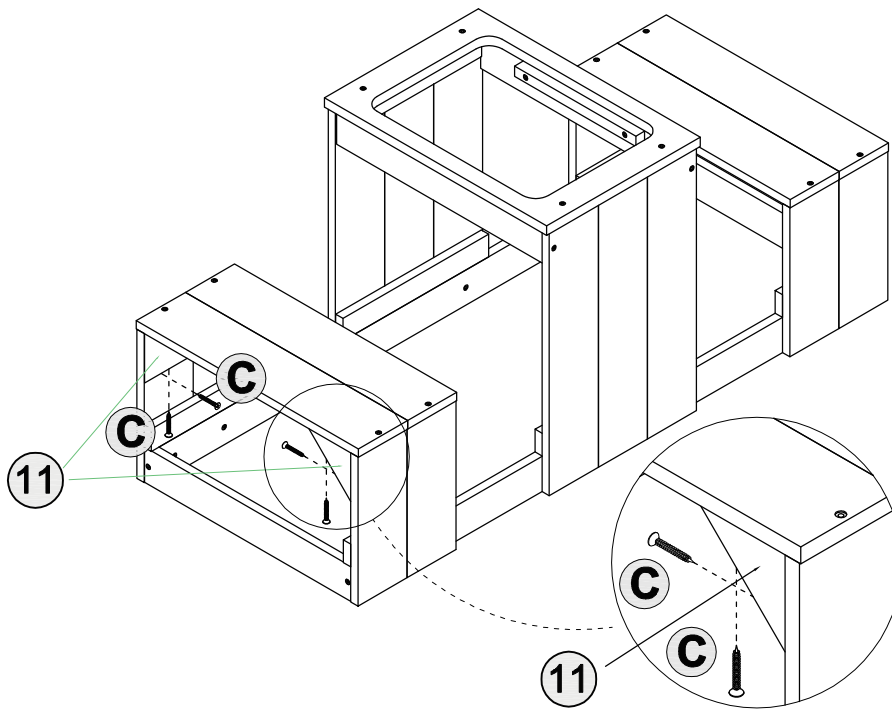


Step 8

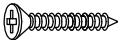


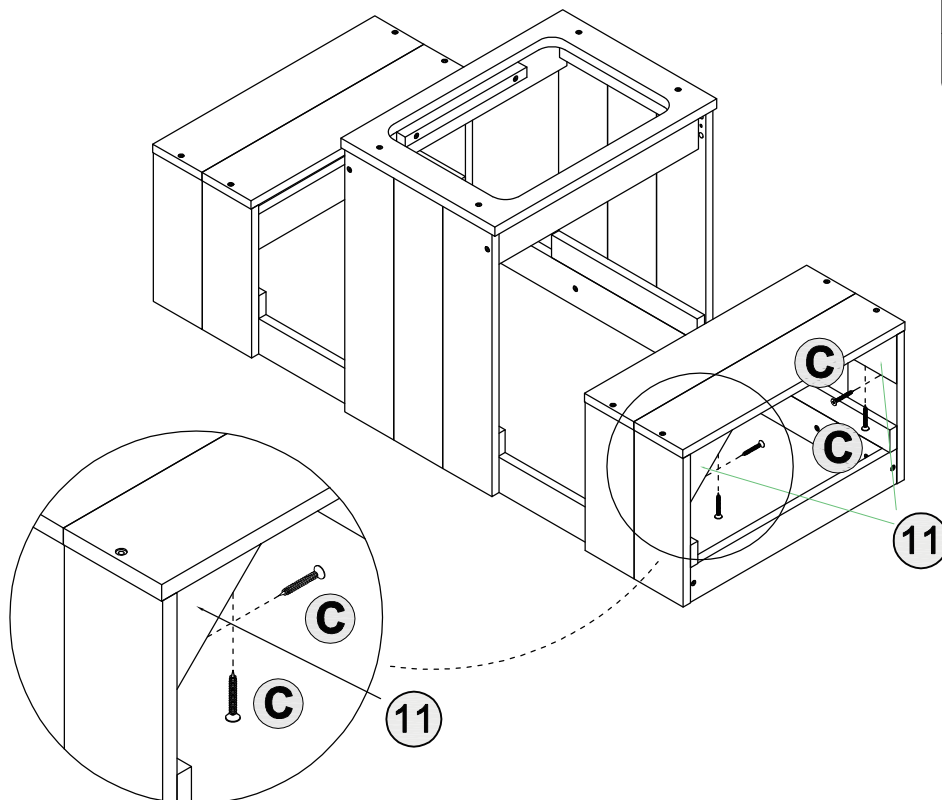
Step 9

	
M4*35	
C	x 4

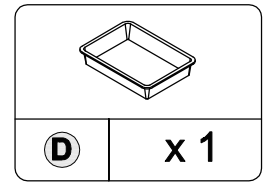
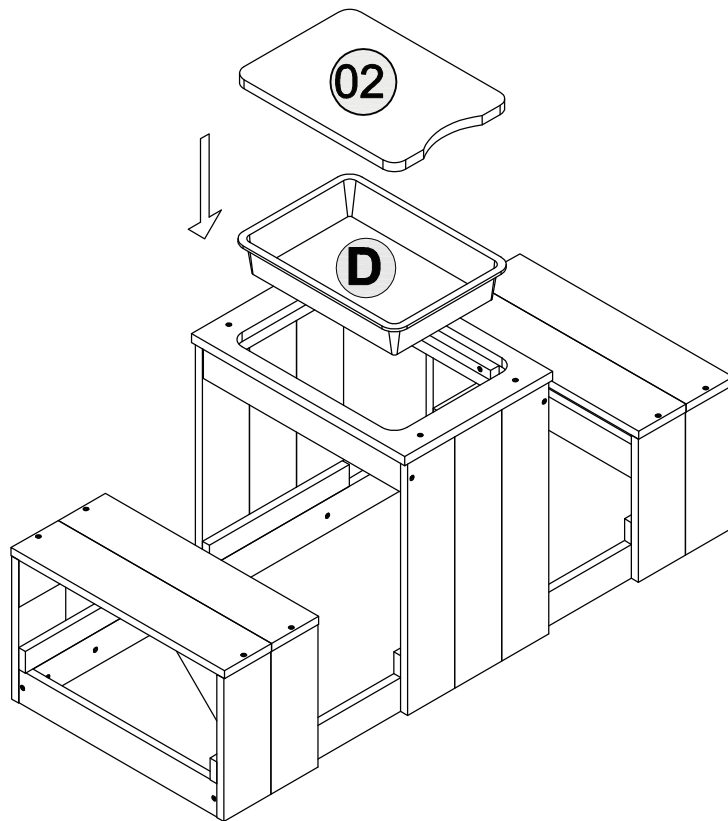


Step 10

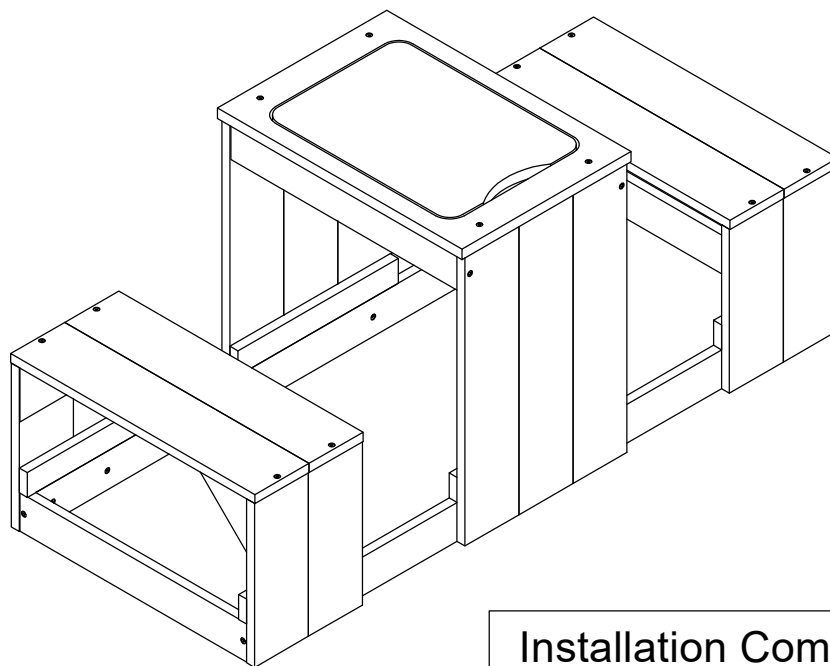
	
M4*35	
C	x 4



Step 11



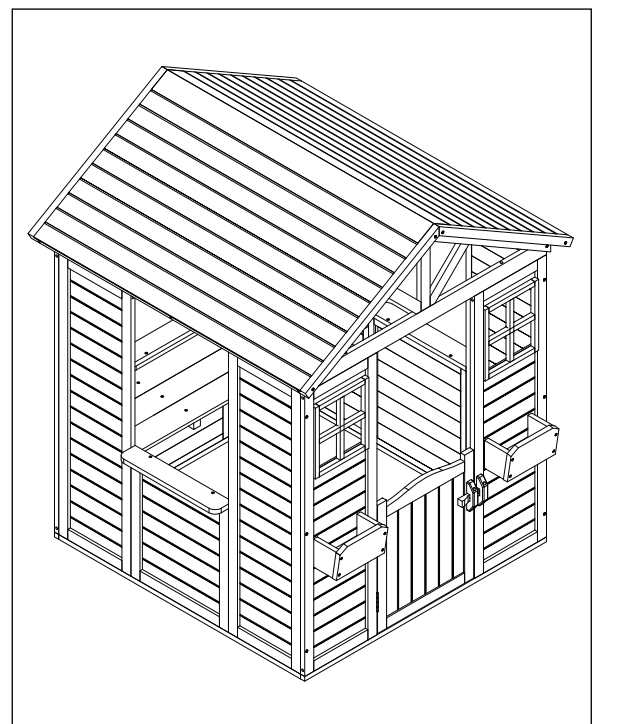
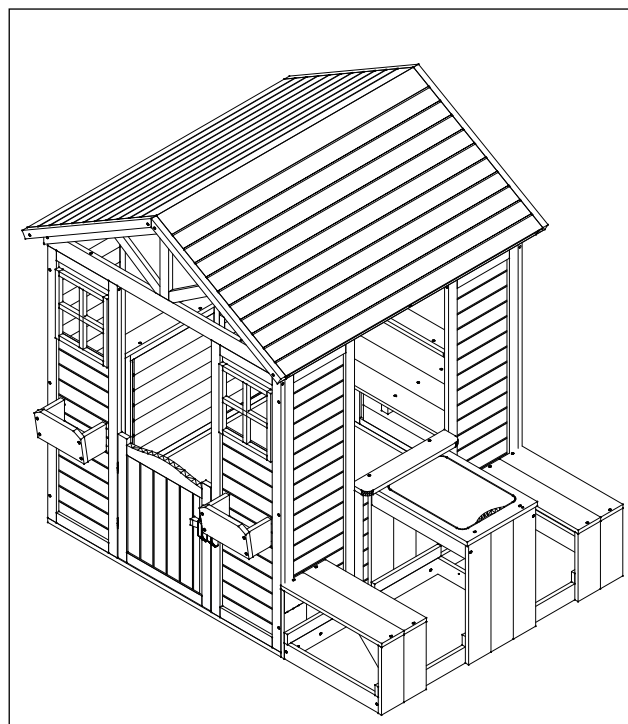
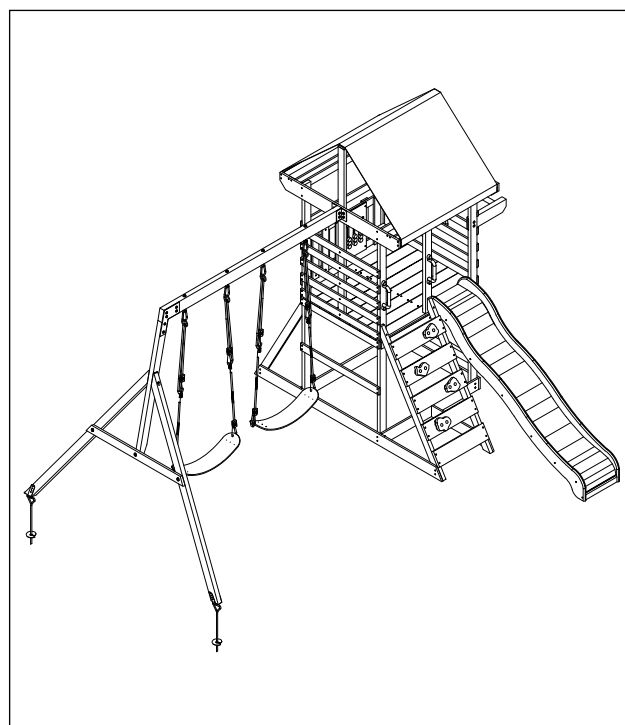
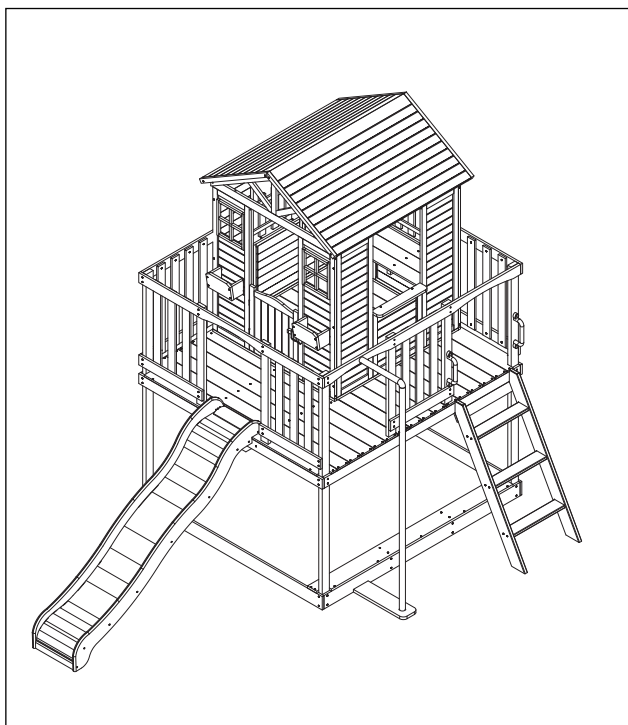
Step 12



Installation Completed

Find more children's outdoor products from

KizzParnrr:



kizzparrr@gmail.com