

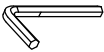
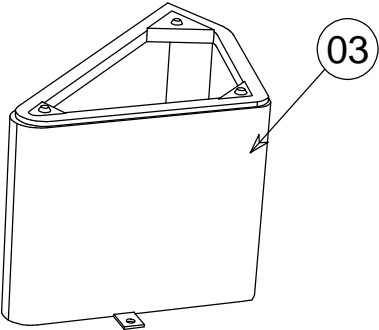
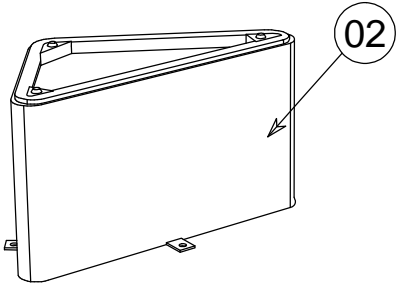
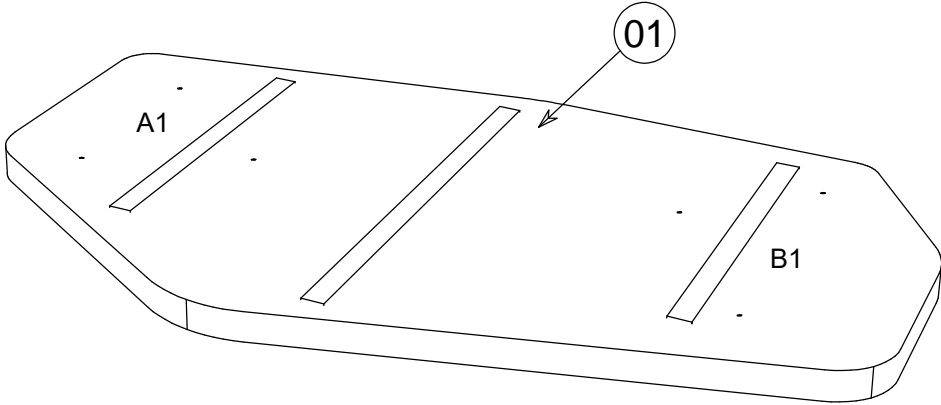
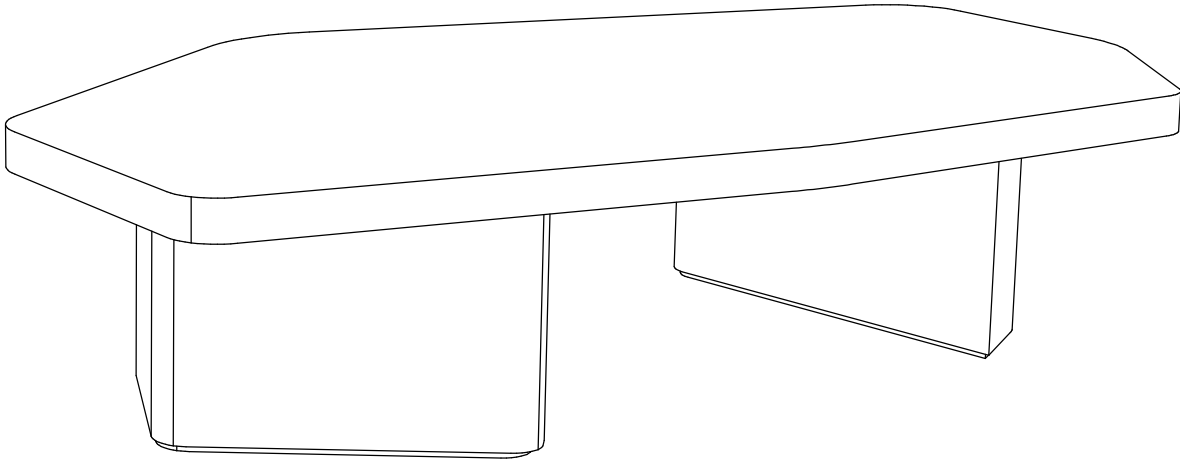


ASSEMBLY INSTRUCTION FOR

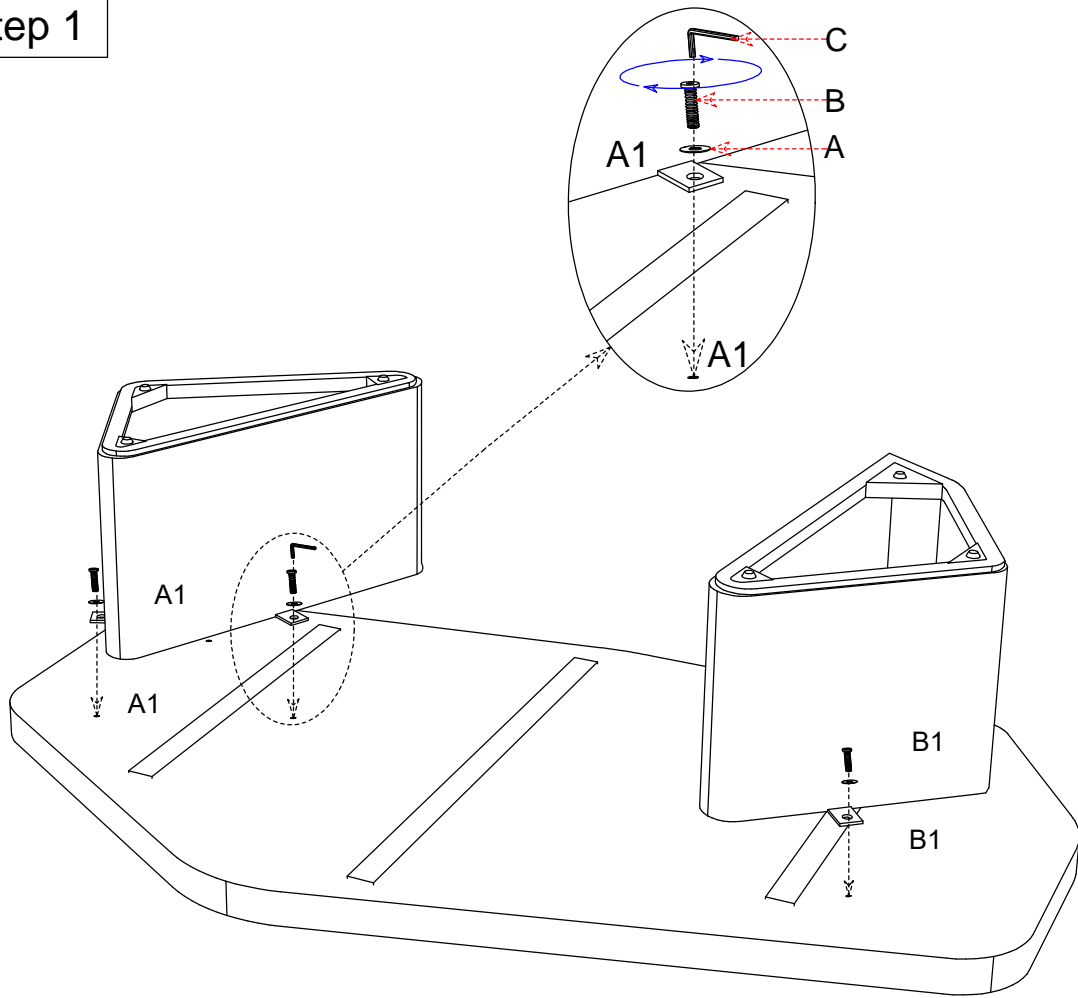
NELLY COFFEE TABLE

Hardware List

Hardware List				
A		Flat Washer	22XØ8 mm	6
B		Allen Bolt	25XØ6 mm	6
C		Allen Key	4 mm	1

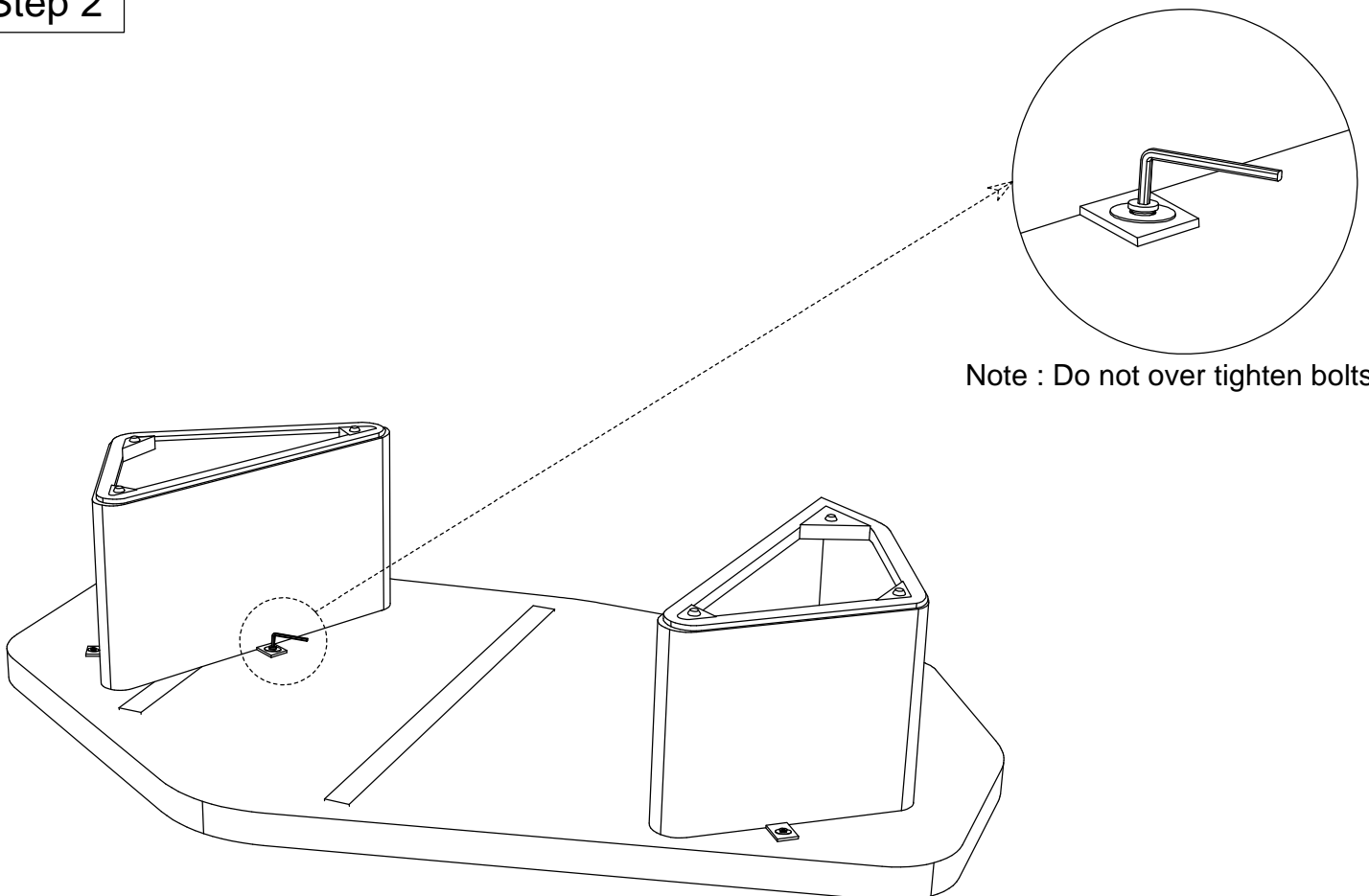


Step 1



CAUTION : Please do not over tighten bolts.

Step 2



Note : Do not over tighten bolts.

ADJUSTING FLOOR LEVELERS & HINGES

NELLY COFFEE TABLE

Adjusting Floor Levelers & Hinges

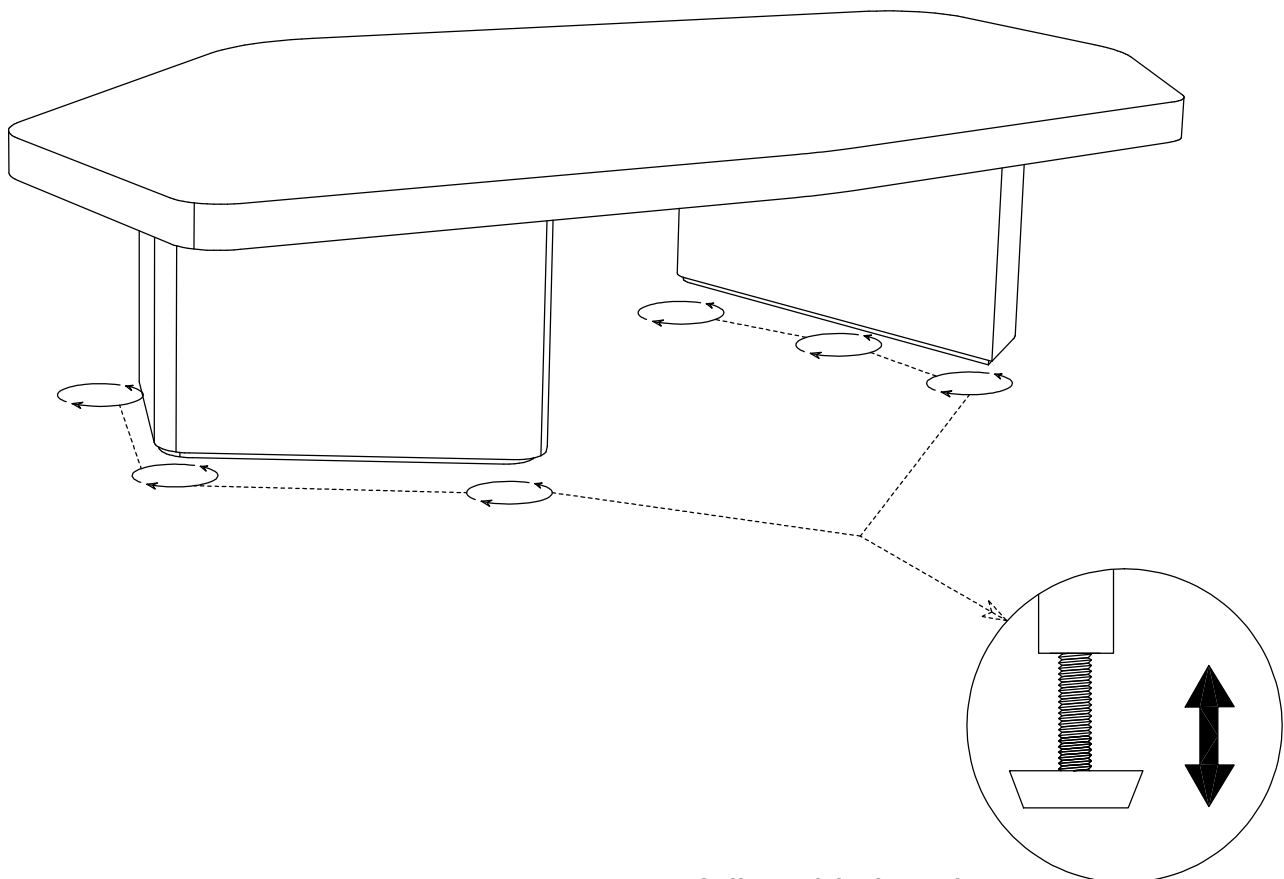
Your furniture has been expertly crafted and pre-adjusted by professionals. However, slight shifts can occur during transportation. If you notice that the doors are not perfectly aligned or the furniture wobbles, a quick adjustment can help ensure stability and a seamless look.

Step 1: Adjust the Floor Levelers

Check for Stability – Place the furniture in its final position on a level surface. If it wobbles or doesn't sit evenly, the floor levelers need adjusting.

Locate the Levelers – These are small adjustable feet found at the bottom corners of your furniture.

Adjust as Needed – Using your hand or a wrench, turn the levelers clockwise to raise or counterclockwise to lower the furniture. Make small adjustments and check stability after each turn.



Adjustable Leveler