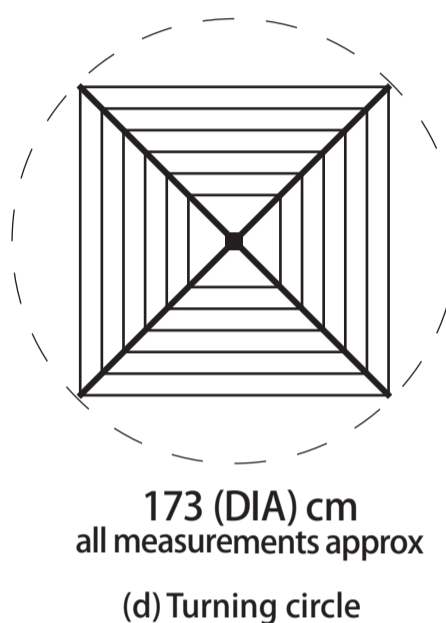
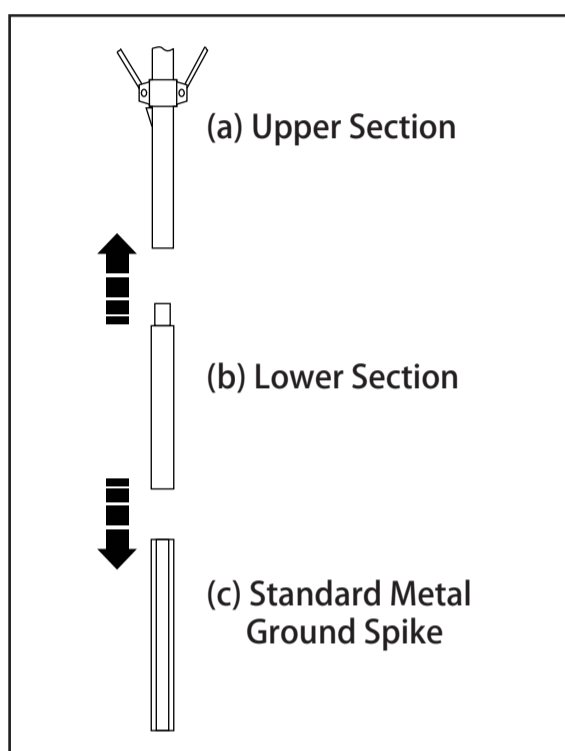


## Parts Included



## Assembly

1. Carefully remove all packaging. (Black plastic cap on upper section is for protection in transit only).
2. Push lower section into upper section.
3. Establish a suitable location for the ailer, ensuring that there is sufficient space for it to rotate freely once the arms are opened
4. Insert ailer into the metal ground spike  
Note: A standard ground spike is included. We recommend that this should be set vertically into a concrete base.

## Usage

To open, slide centre collar upwards and past the clip, until it springs back into place. To close, depress the clip and carefully slide centre collar downwards to its lowest position. (Make sure lines are not tangled as this will stop the arms opening).

How to adjust tighter step:

- 1) open the ailer, push the lock on the first step,
- 2) average each line tight
- 3) push one more step up to 2nd step.

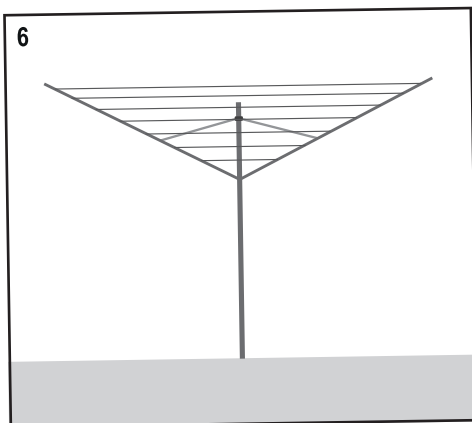
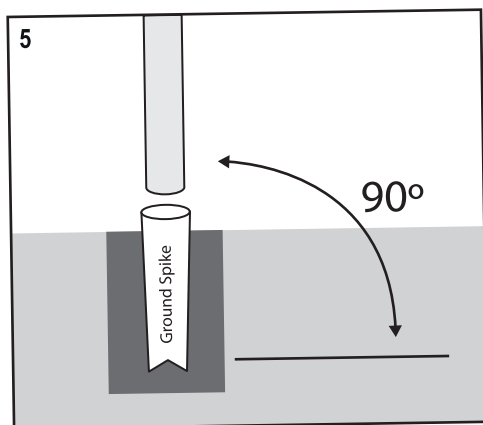
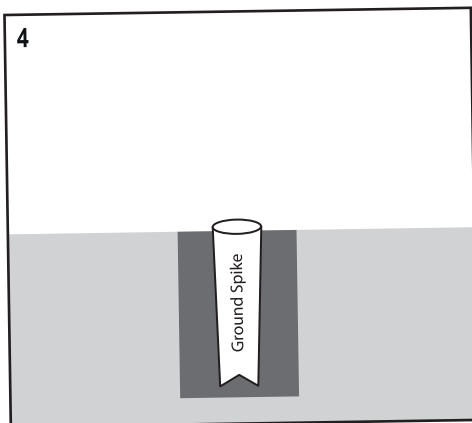
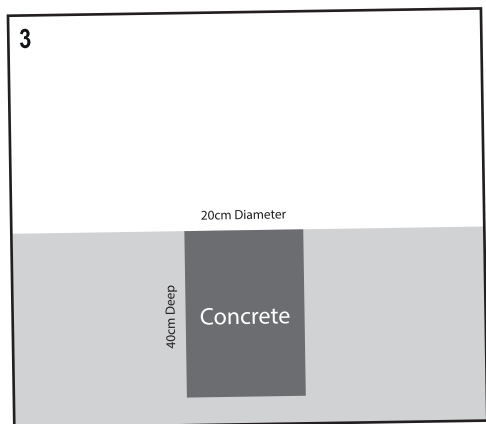
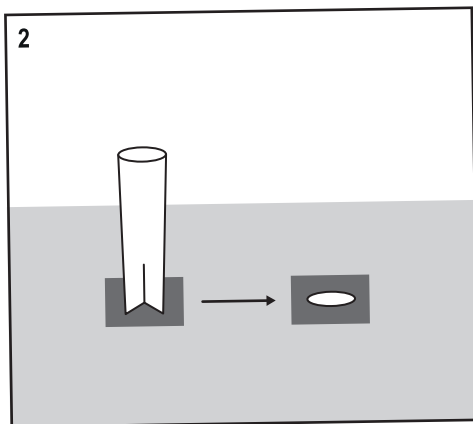
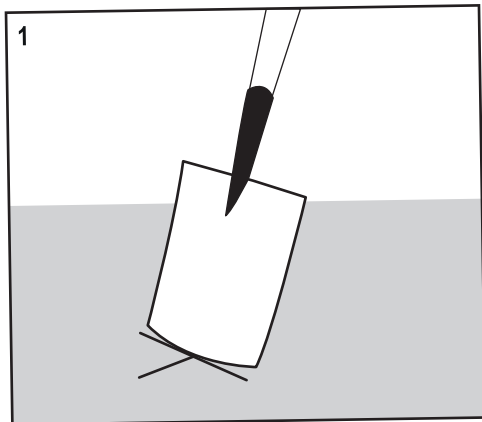
If it still not tight enough, push one more step up to 3rd step

## Storage



When not in use, we recommend that the ailer is covered and securely tied.

If removing from the ground socket for storage, please ensure that the ailer is covered and kept out of the reach of children.

instructions  
**ROTARY DRYER**



## Safety Instructions

- ◆  Read this manual before using this appliance.
  - ◆  **Warning!** Read all safety warnings and instructions. Failure to follow the warnings and instructions listed below may result in injury or damage to property.
1. The intended use of this rotary ailer is explained in this manual. The use of accessories other than those recommended in this manual may present a risk of personal injury.
  2. We strongly recommend that this product is installed by persons competent in DIY.
- ◆ Remove all packaging and protective materials from the rotary ailer.
  - ◆ Examine the rotary ailer and its components and check for damage or defects. If any damage or defects are found do not use and return to your place of purchase.
  - ◆ Ensure all parts of the rotary ailer operate and all components as listed are present (see components list)
  - ◆ Open the rotary ailer ensuring you have sufficient space for opening and closing.
  - ◆ Once opened check all lines are free from knots and all moving parts work as intended.
  - ◆ Always be aware when using this rotary ailer that it has moving parts. Keep your fingers and hands away from moving parts to avoid pinching hazards.
  - ◆ The rotary ailer has two adjustable brackets to move the arms of the clothes dryer to the desired height. Firstly push the button on the lower bracket and slide the bracket down in order to allow the lines to go slack. When you release the button the bracket will automatically lock into place in one of the holes provided for that purpose. Use the upper bracket to slide into your desired height.
  - ◆ Lifting the lower bracket will tighten the lines of the rotary ailer.
  - ◆ Always fold the rotary ailer when not in use.
  - ◆ Ensure the ground spike is firmly set before using the clothes dryer.

- ◆ If the rotary ailer is not used for long periods of time remove from ground spike and store in a dry place.
- ◆ For safe ground anchorage always follow the Ground spike instructions below.
- ◆ This rotary ailer can take a maximum load of 25kg approx. Do not exceed the maximum load.
- ◆ Do not use this or any rotary ailer in high winds.
- ◆ When not in use always close the rotary ailer up.

## Components List

- 40M Rotary Ailer
- Ground Spike
- Cover

## Ground Spike

The ground spike can be driven firmly into the lawn or border areas of your garden. Always use a rubber hammer or wooden cover to protect the head of your ground spike during installation. We recommend you cement the ground spike for a more stable setting.

## Installing Ground Spike

1. Dig a hole of approximately 20cm in diameter and 40cm deep.
2. Insert the ground spike to ensure the head of the ground spike is level with top of the hole. Remove the spike.
3. Using ready mixed or self mixed concrete to fill the hole.
4. Place the ground spike back into the centre of the hole through the cement.
5. Insert the rotary ailer pole into the ground spike. Using a spirit level adjust the ground spike until it is vertically aligned with the clothes dryer pole.
6. Once level remove the rotary ailer pole and allow the concrete to set hard. Replace rotary ailer pole and open ailer to use.