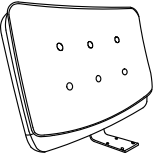
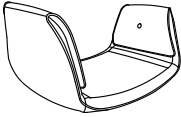

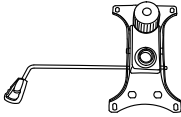

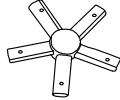


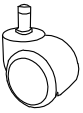
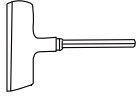


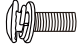


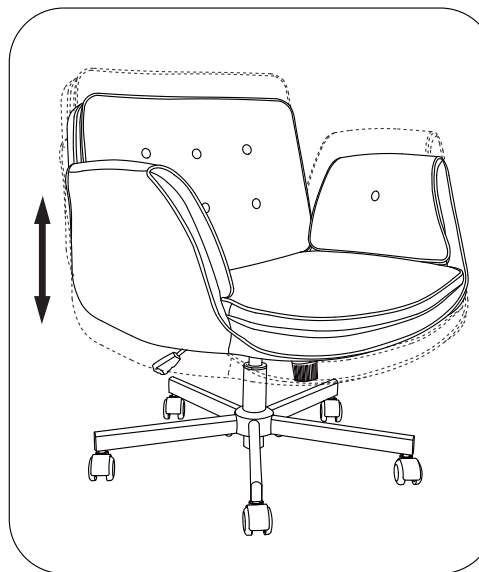
The image features a decorative graphic in the bottom-left corner consisting of three parallel diagonal lines. The lines are dark gray and slanted downwards from left to right. The top line is the longest, the middle line is shorter, and the bottom line is the shortest, creating a stepped effect.

# **Instruction Manual**

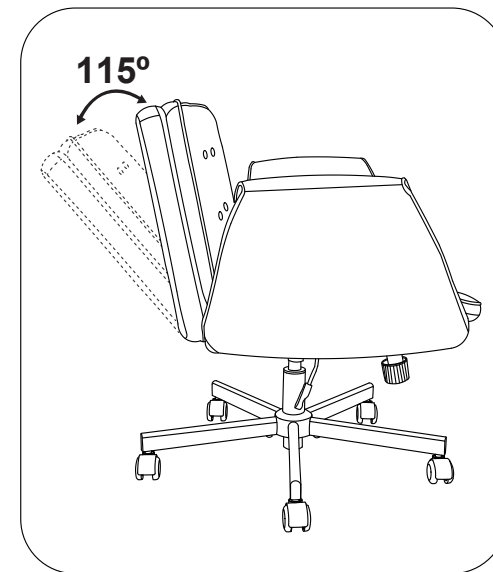
# Accessories List

<p>(A) Backrest</p> 	<p>(B) Seat</p> 	<p>(C) Seat Cushion</p> 	<p>(D) Lift Mechanism</p> 
<p>(E1) 5 Leg</p> 	<p>(E2) Leg Connector</p> 	<p>(E3) Decorative Cover</p> 	<p>(F) Gas Lift</p> 
<p>(G) 5 Caster</p> 	<p>(H) Wrench</p> 	<p>(I) 4 M6*25mm Bolt</p> 	<p>(J) 4 M6*40mm Bolt</p> 
<p>(K) 5 M6*20mm Bolt</p> 			

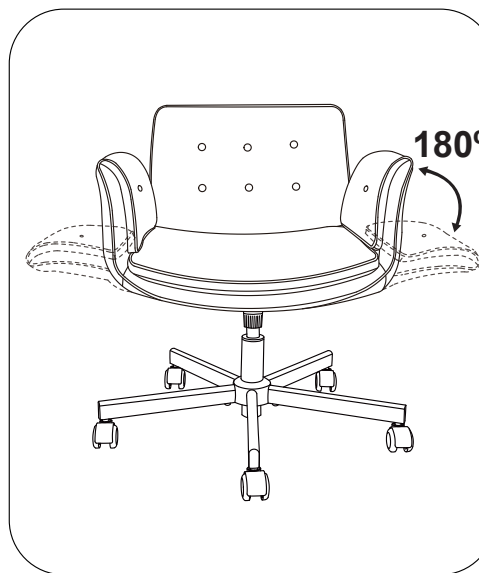
# Instructions for Use



**Upward/Downward Adjustment**



**Rocking Function**



**Foldable Armrest**

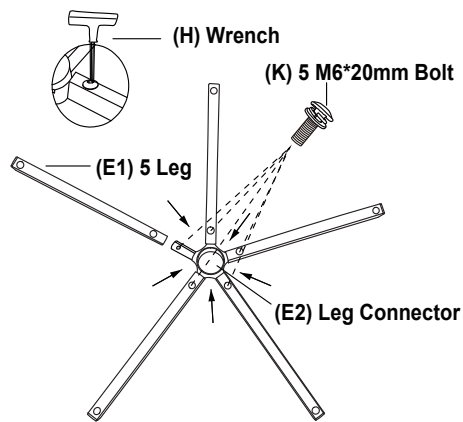


**300LB (136kg)**

# Assembly Instruction

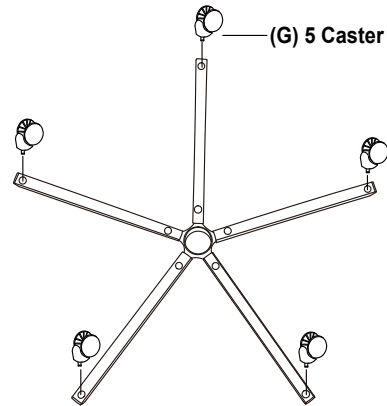
## Step 1

Slide the Legs [E1] onto the Leg Connector [E2], then secure with Bolts [K]. Remove Decorative Cover and keep for Step 3.



## Step 2

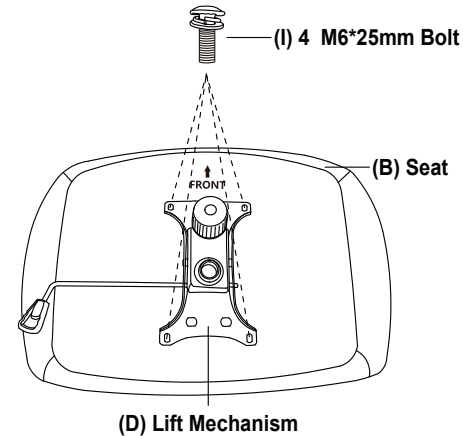
Press the Casters [G] firmly into the holes on the Legs [E1].



## Step 5

Attach the Lift Mechanism [D] to the Seat Cushion [B] using Bolts [I].

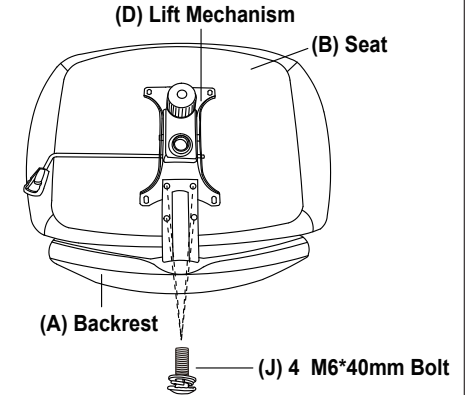
NOTE: Do not overtighten Bolts until Step 6 is finished.



## Step 6

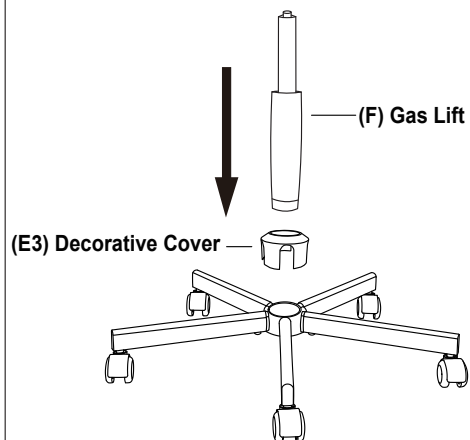
Attach the Backrest [A] to the Seat Cushion [B] using bolts [J].

NOTE: Remember to fully tighten Bolts in this step.



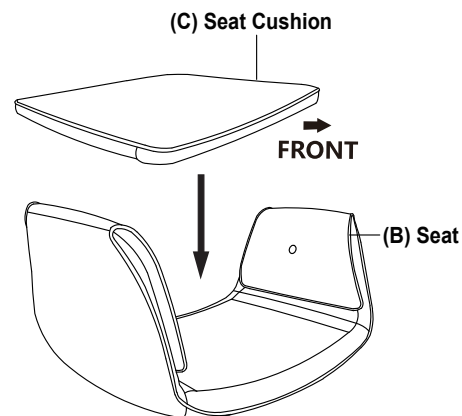
## Step 3

Flip over the assembled base. Attach the Decorative Cover [E3], then press the Gas Lift [F] into the Leg Connector.



## Step 4

Attach Seat Cushion [C] with the Front label facing forward to Seat [B].



## Step 7

Align the hole underneath the chair with the Gas Lift [F]. Press the seat down to secure the chair to the base.

