

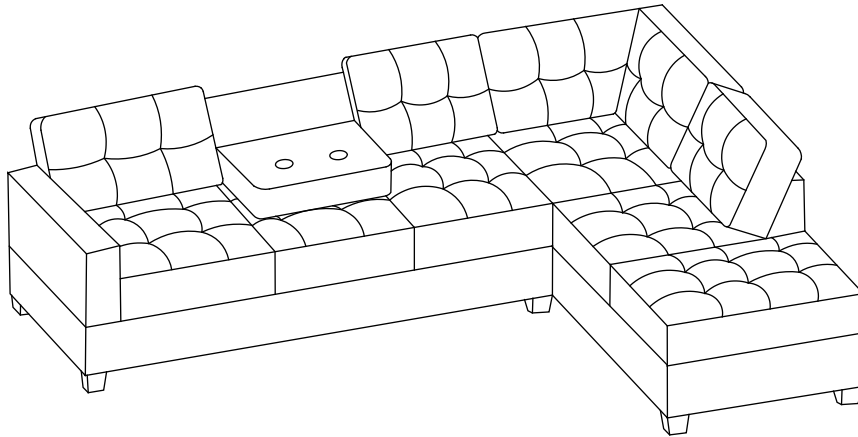
ASSEMBLY INSTRUCTION

Reversible Chaise

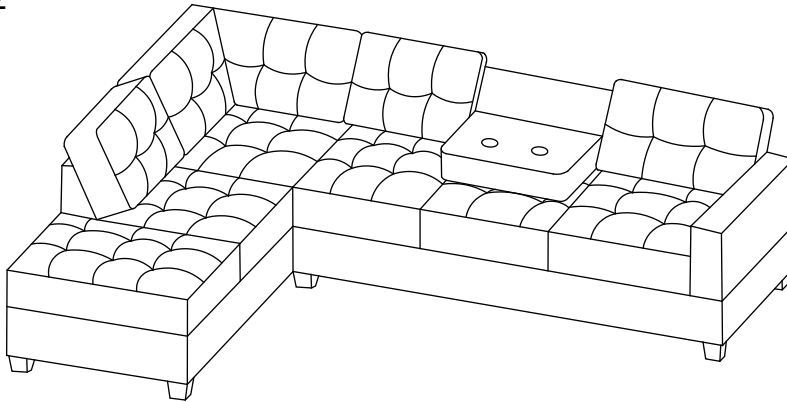
Reversible 3-Seater with Drop-Down Cup Holders

Sectional can be assembled with right side facing chaise (configuration #1) or a left side facing chaise (configuration #2) . See instructions below.

Configuration#1




Configuration#2



CARE INSTRUCTION FOR 100% POLYESTER FURNITURE:

In order to maintain the original appearance of your 100% polyester furniture, please follow below care procedures:

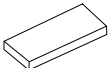





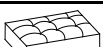







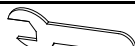
- Avoid exposing furniture directly to sunlight or heating and air conditioning outlets. Sunlight and / or exposure to heating and air conditioning outlets will fade/damage fabric. Do not place your upholstered furniture too close to windows, radiators, or vents, and be sure to use window treatments to block the sun's rays.
- Vacuum or wipe with a soft cloth regularly to remove dust.

 For items use on wooden floor, hard surfaces or carpets, it is recommended to install protective pads under all legs and supports to avoid/prevent from damages/scratches and discoloration.

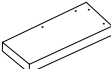
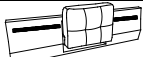
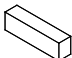







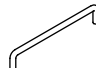
Reversible Chaise

Reversible 3-Seater with Drop-Down Cup Holders

CHAISE COMPONENT LIST

NO.	DRAWING	QTY	DESCRIPTION
A		1	CHAISE SEAT
B		1	CHAISE BACK REST
C		1	BACK CORNER
D		1	RSF CHAISE BACK REST
E1		1	REAR SEAT CUSHION
E2		1	MIDDLE SEAT CUSHION
E3		1	FRONT SEAT CUSHION
F1		1	FRONT BACK CUSHION
F2		1	MIDDLE BACK CUSHION
F3		1	REAR BACK CUSHION
G		4	PLASTIC LEG 100*100*80MM
H		4	FLAT WASHER $\phi 5/16$ " X 22MM
I		4	NUT $\phi 5/16$ " X 12MM
J		4	BOLT $\phi 5/16$ " X 90MM
K		1	OPEN WRENCH

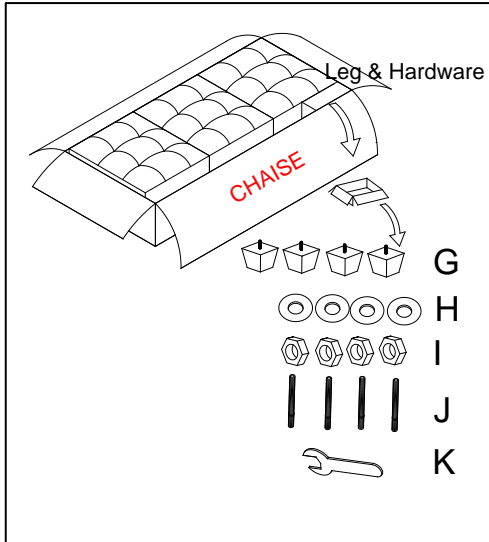
3-SEATER COMPONENT LIST

NO.	DRAWING	QTY	DESCRIPTION
M		1	3-SEATER SEAT
N		1	BACK REST WITH MIDDLE BACK CUSHION
O		1	ARM
P		3	3-SEATER SEAT CUSHION
Q		2	3-SEATER BACK CUSHION
G		4	PLASTIC LEG 100*100*80MM
H		5	FLAT WASHER $\phi 5/16$ " X 22MM
I		5	NUT $\phi 5/16$ " X 12MM
J		5	BOLT $\phi 5/16$ " X 90MM
K		1	OPEN WRENCH
L		2	METAL CONNECTOR

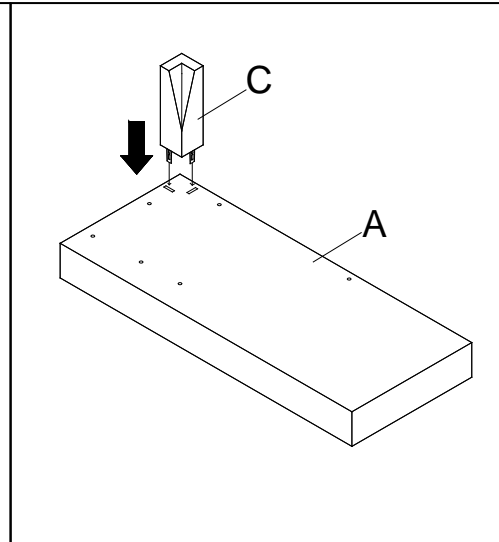
Please follow the drawings below to assemble the item.

Legs and hardware are stored in small carton box as shown in drawing, please take out for assembly.

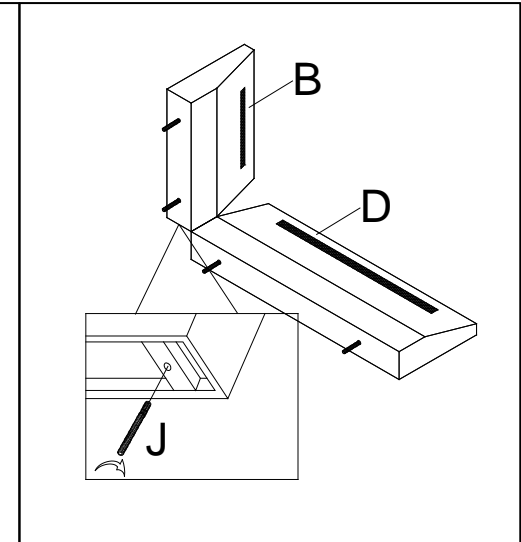
Step 1



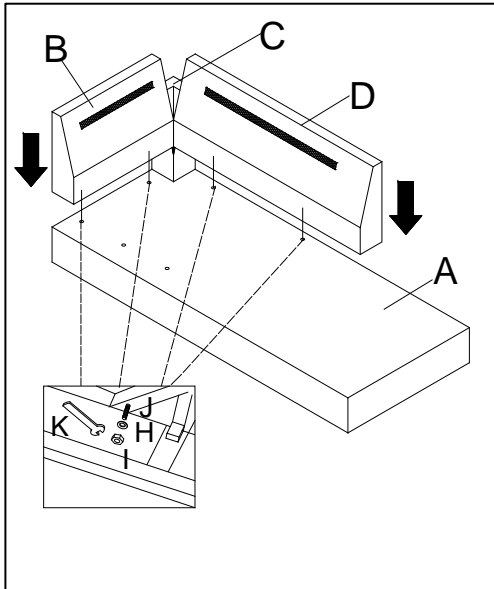
Step 2



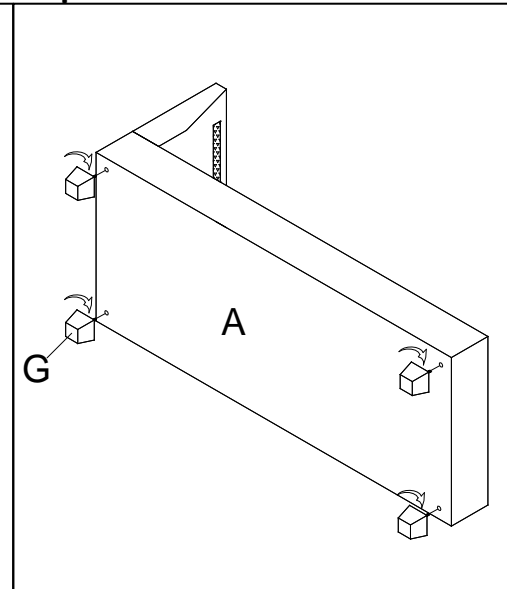
Step 3



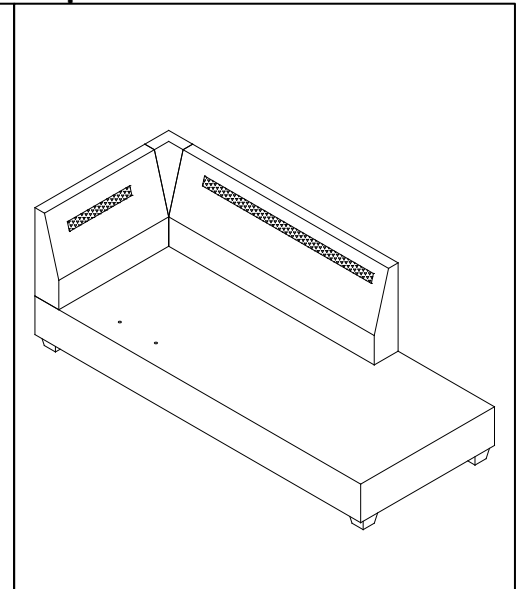
Step 4



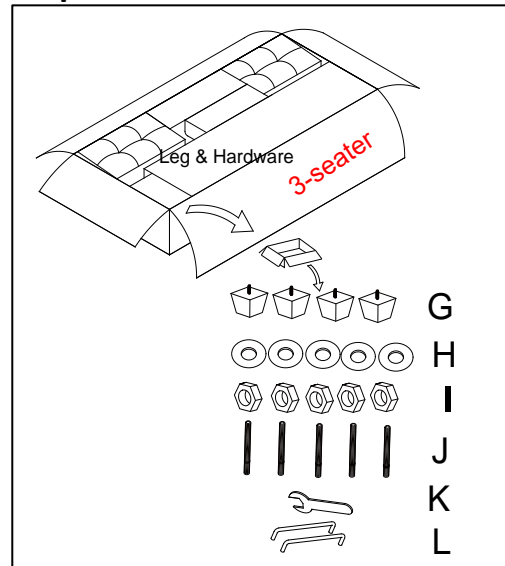
Step 5



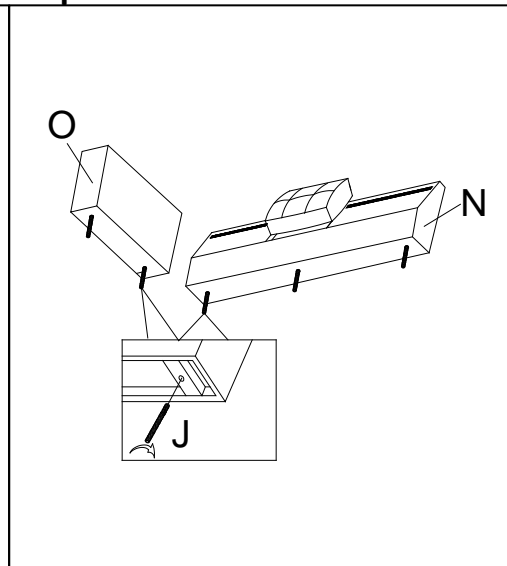
Step 6



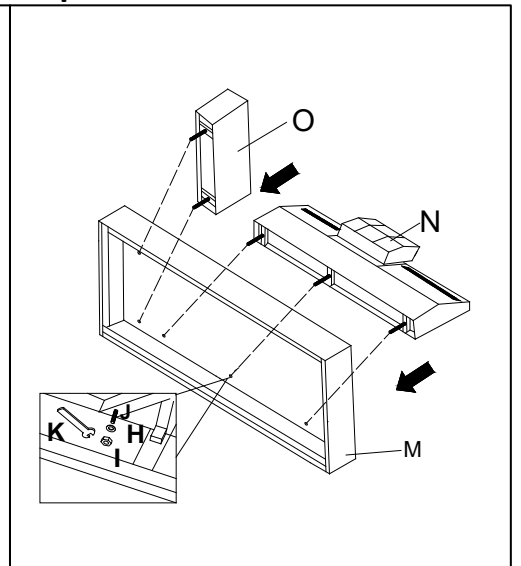
Step 7



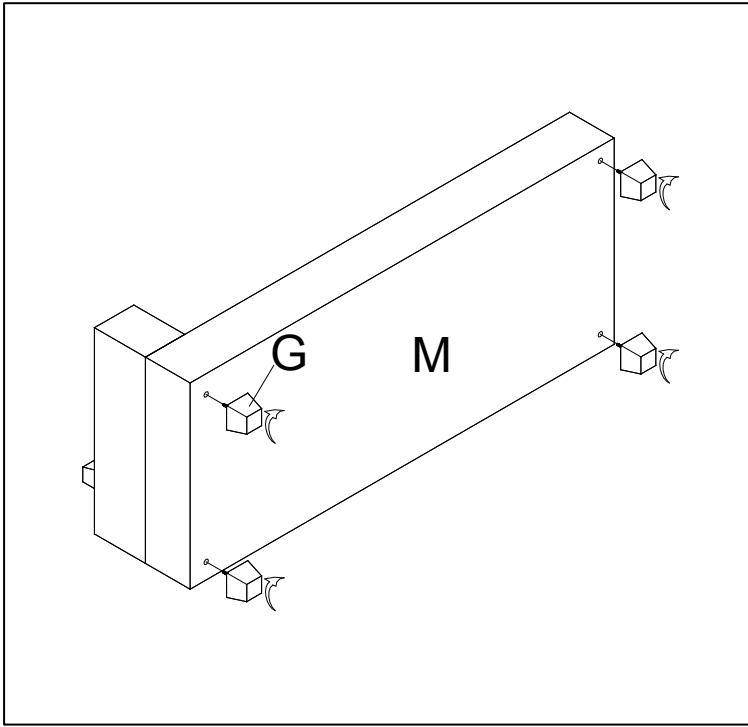
Step 8



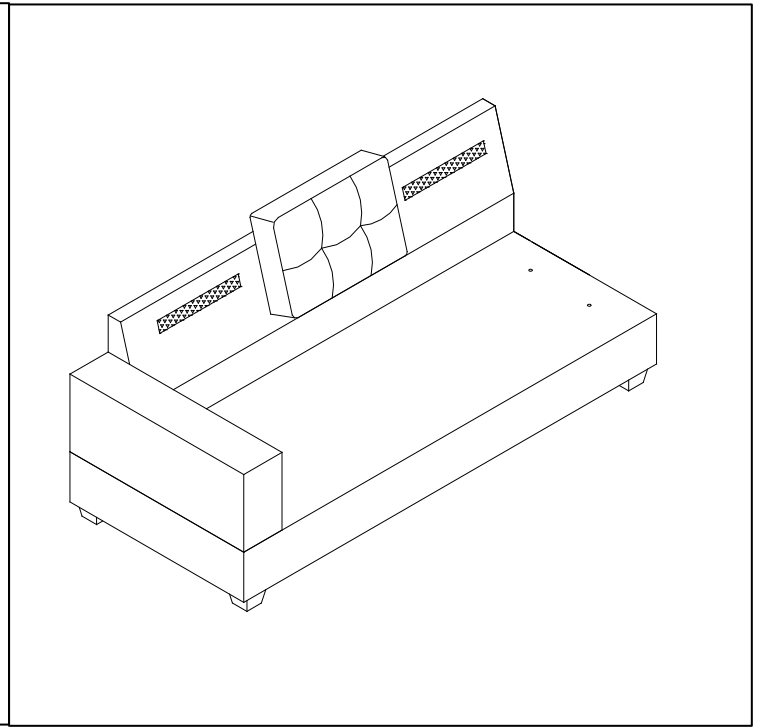
Step 9



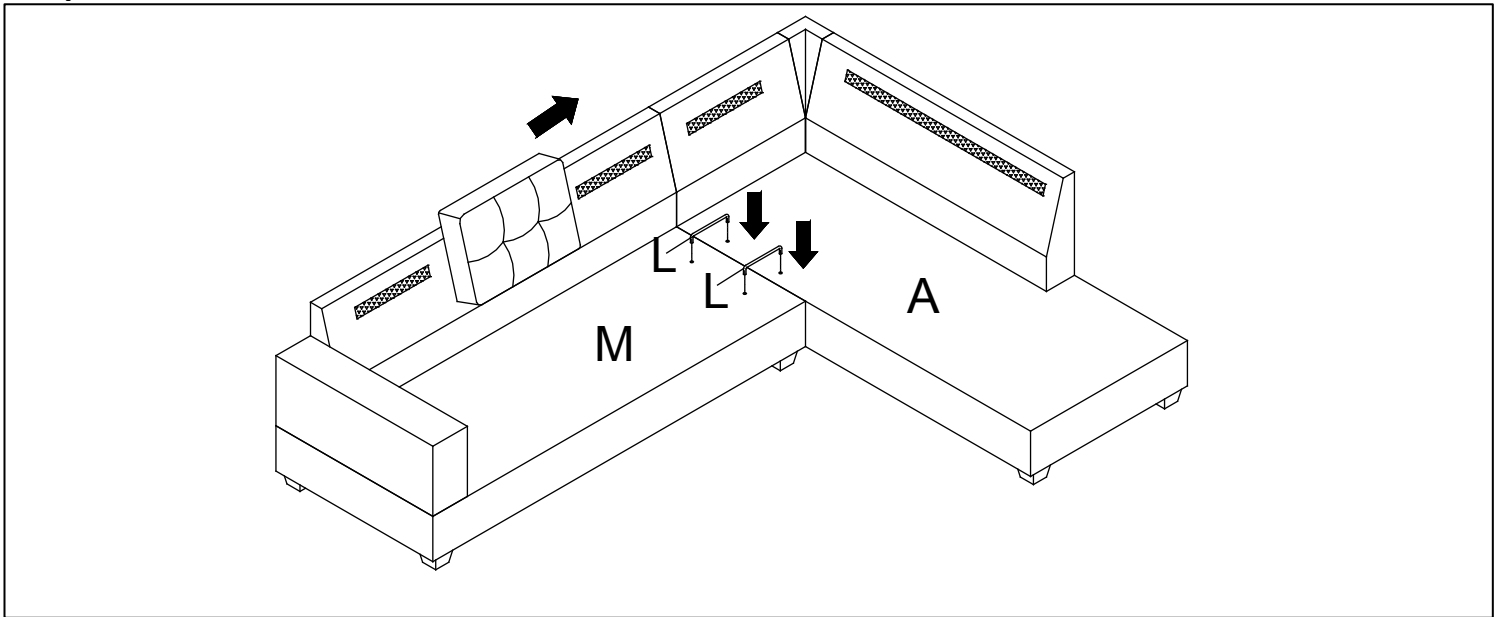
Step 10



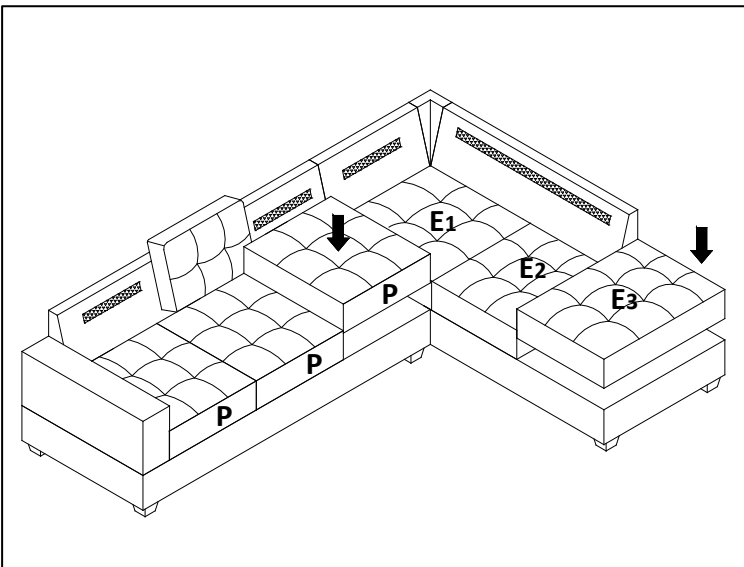
Step 11



Step 12



Step 13



Step 14

