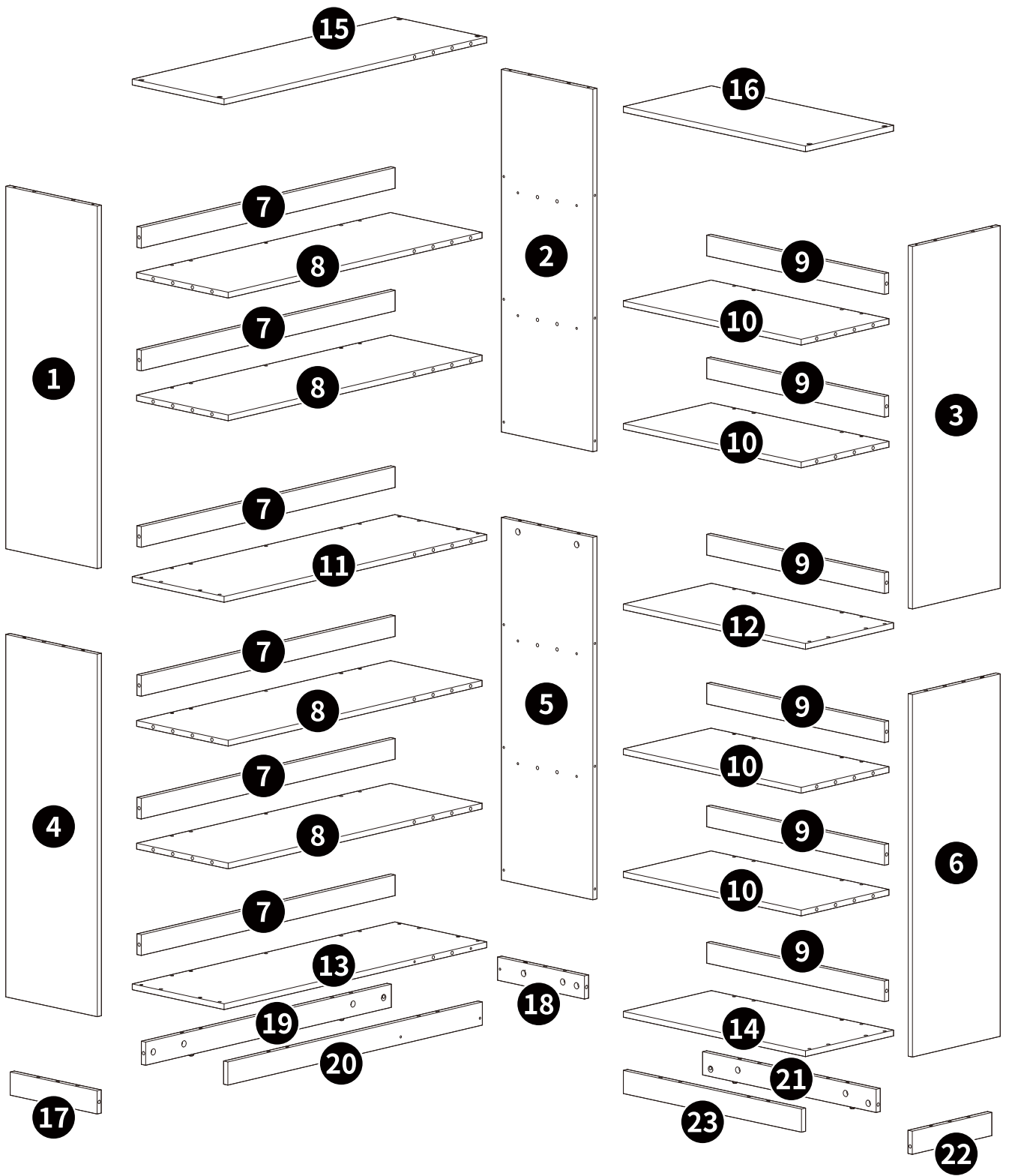
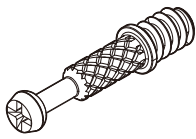
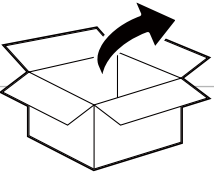
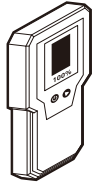
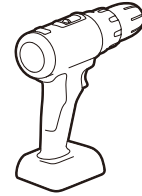
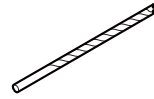
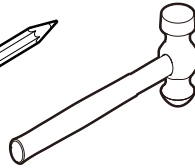
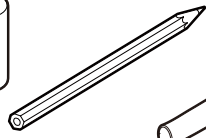
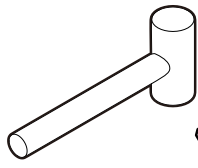
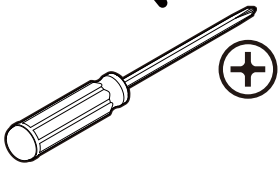
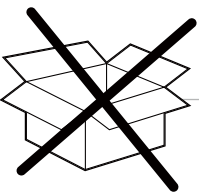


# Installation & Assembly

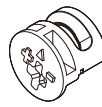
---





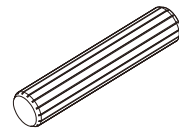
Ø6 x 35mm

(A) x 78



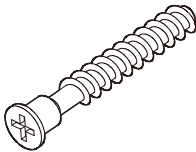
Ø15 x 11mm

(B) x 78



Ø8 x 30mm

(C) x 109



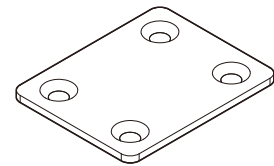
Ø6 x 50mm

(D) x 48

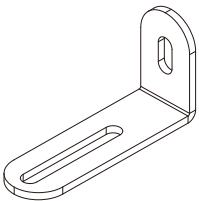


Ø4 x 12mm

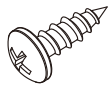
(E) x 48



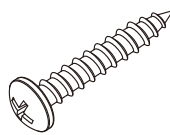
(F) x 12



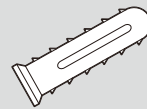
x 2



ST4 x 12mm  
x 2



ST4 x 25mm  
x 2

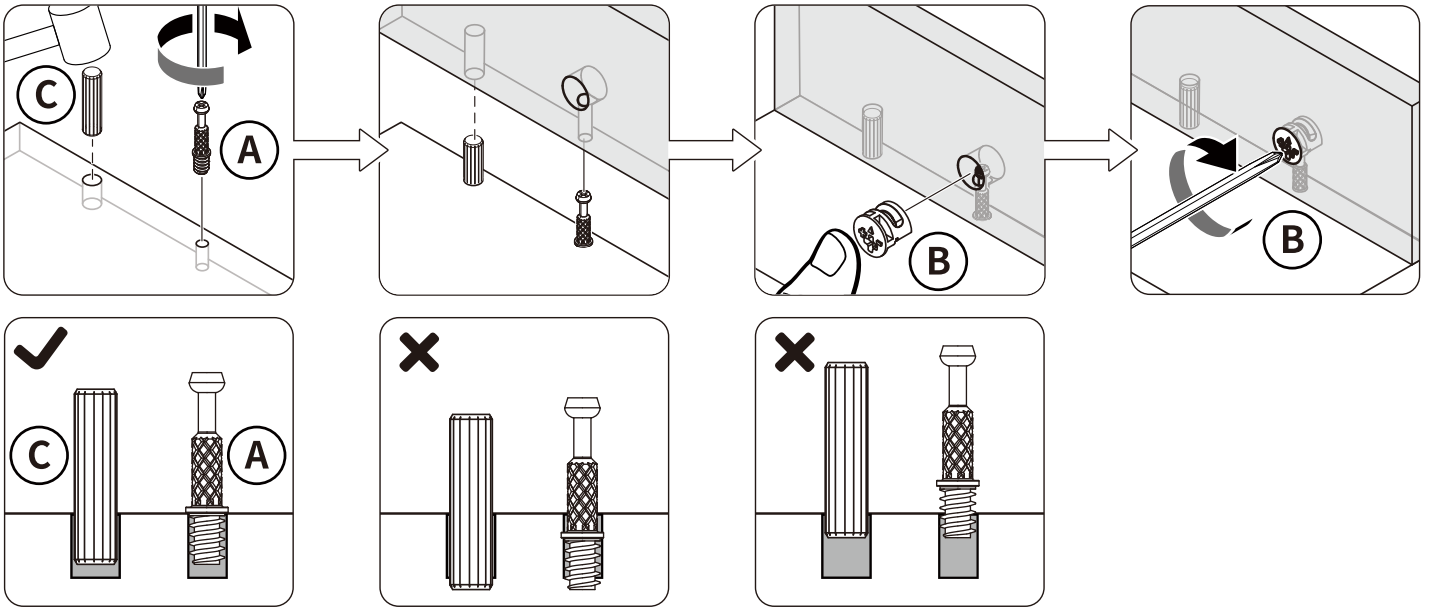


Ø8 x 30mm  
x 2

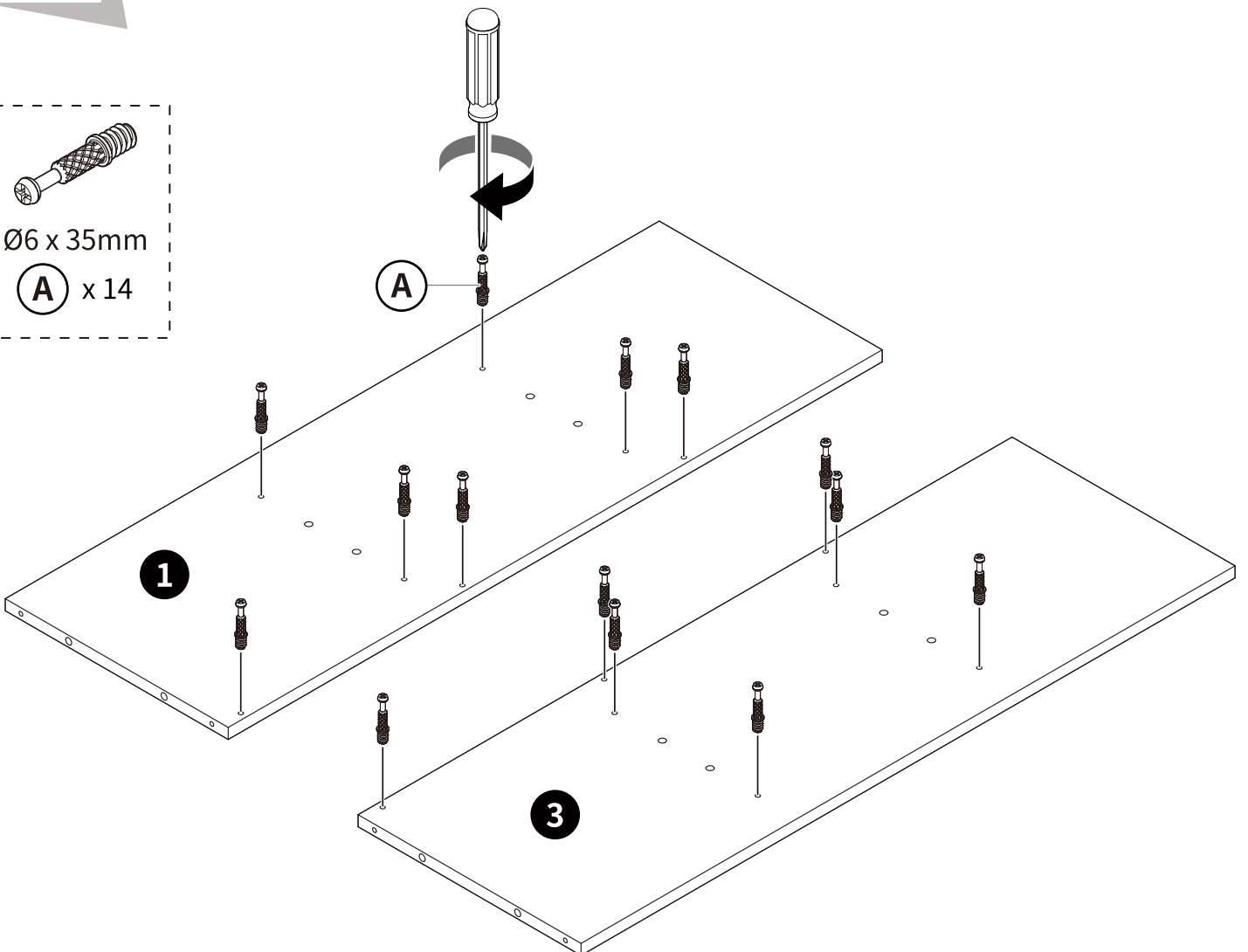
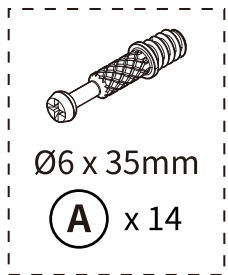
**⚠ CAUTION!**

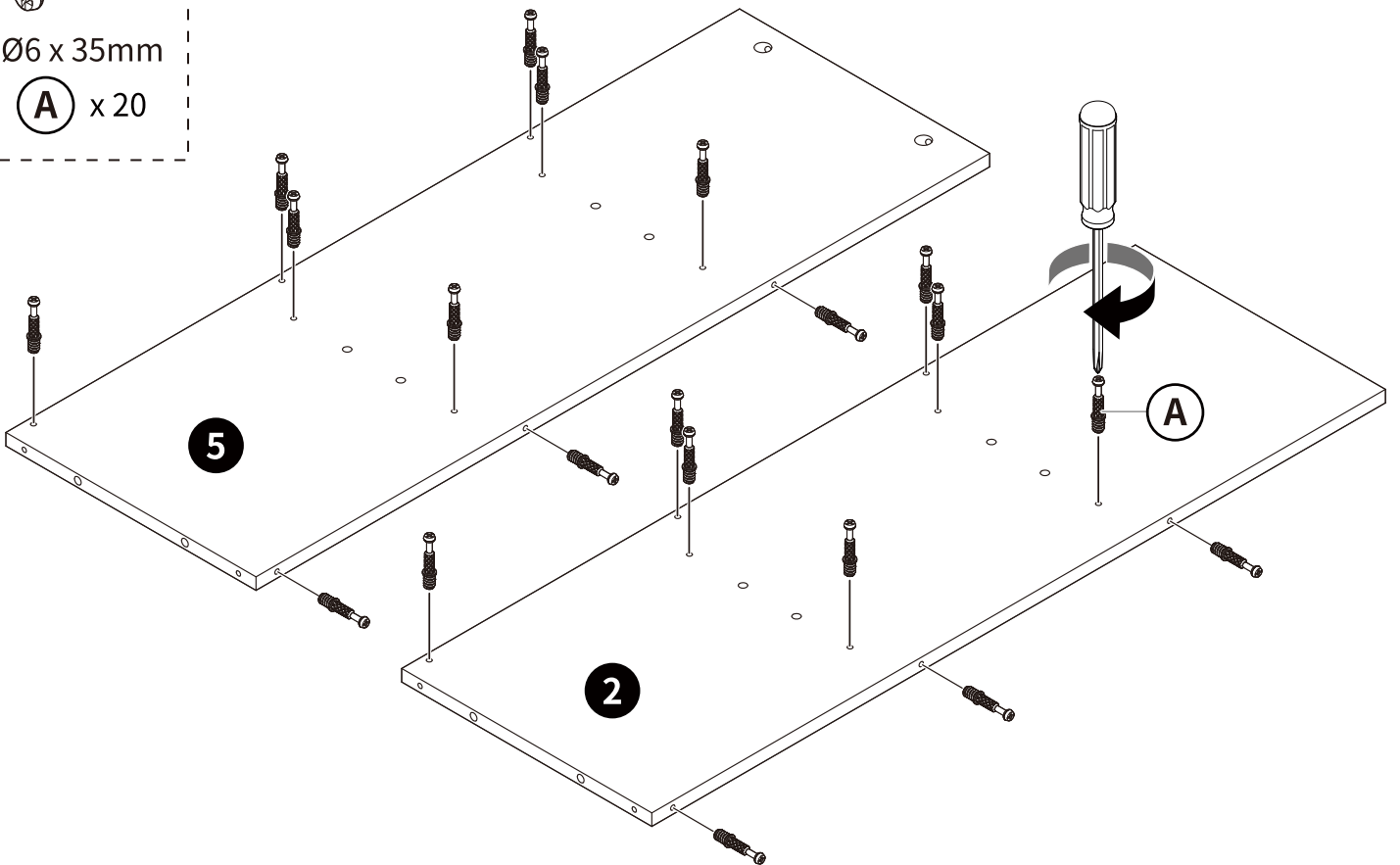
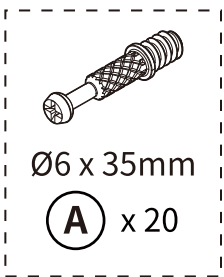
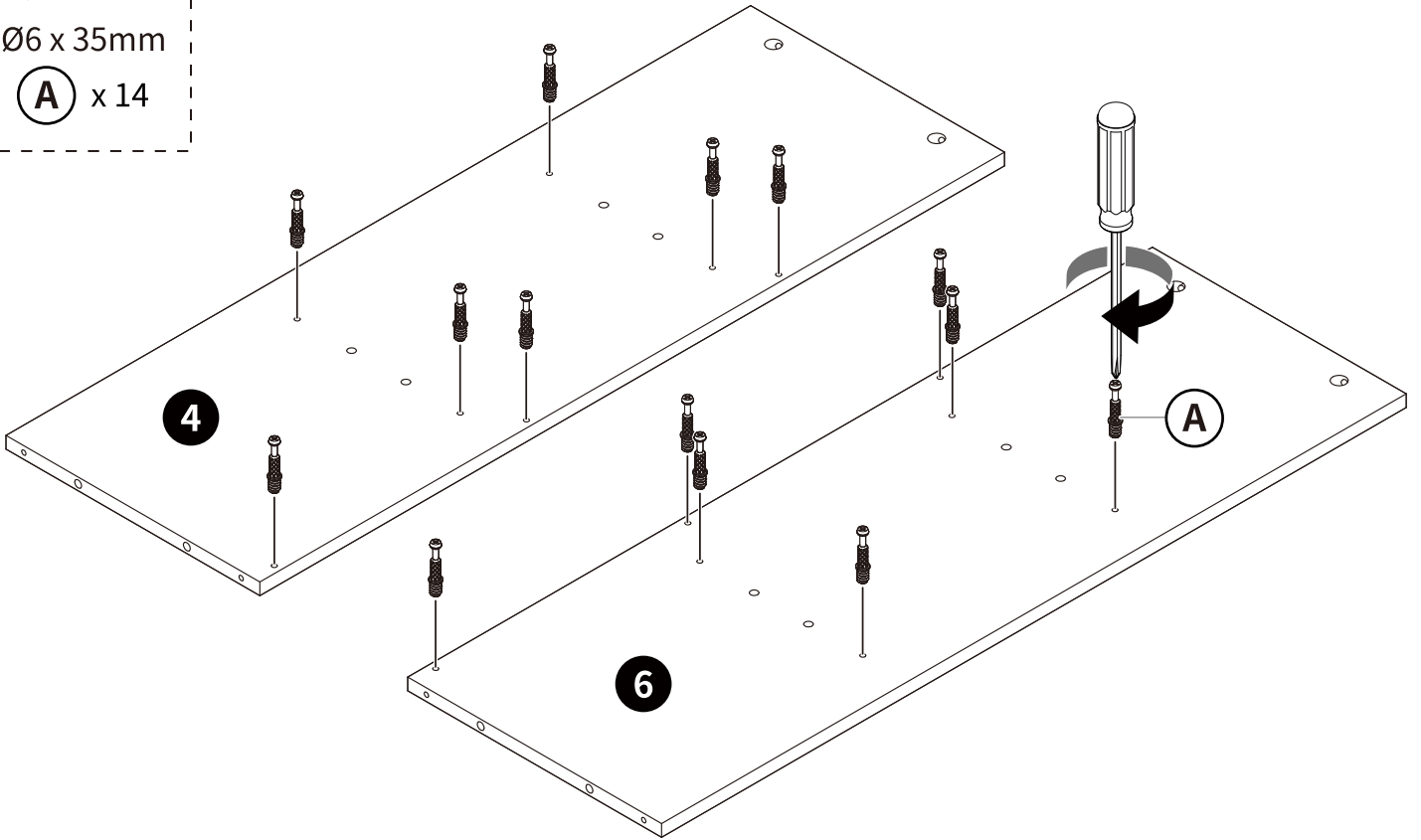
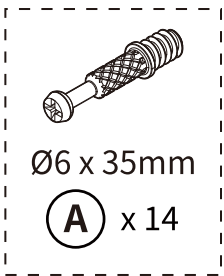
This wall anchor is for concrete ONLY. DO NOT use them in drywall or wood studs.

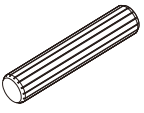
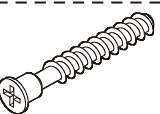
# Installation Guide

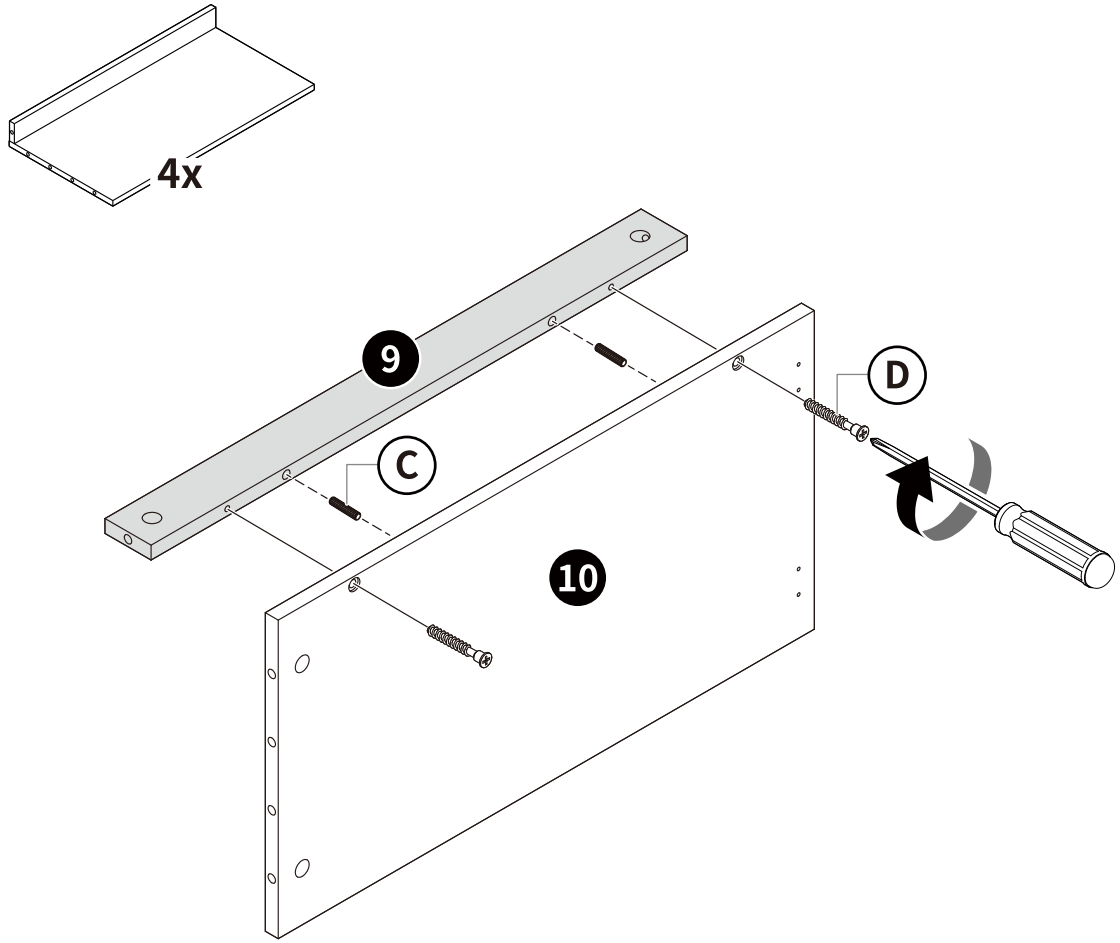


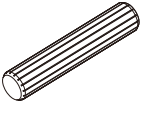
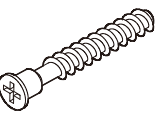
# 1

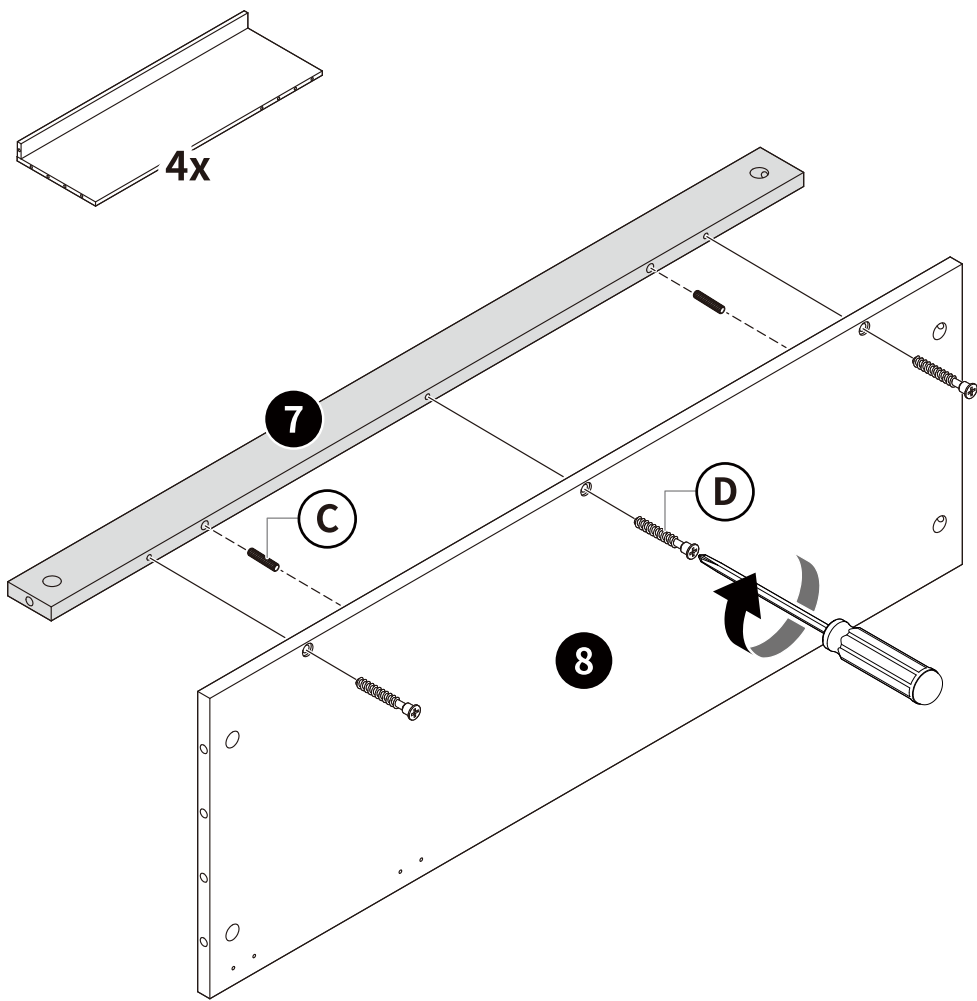


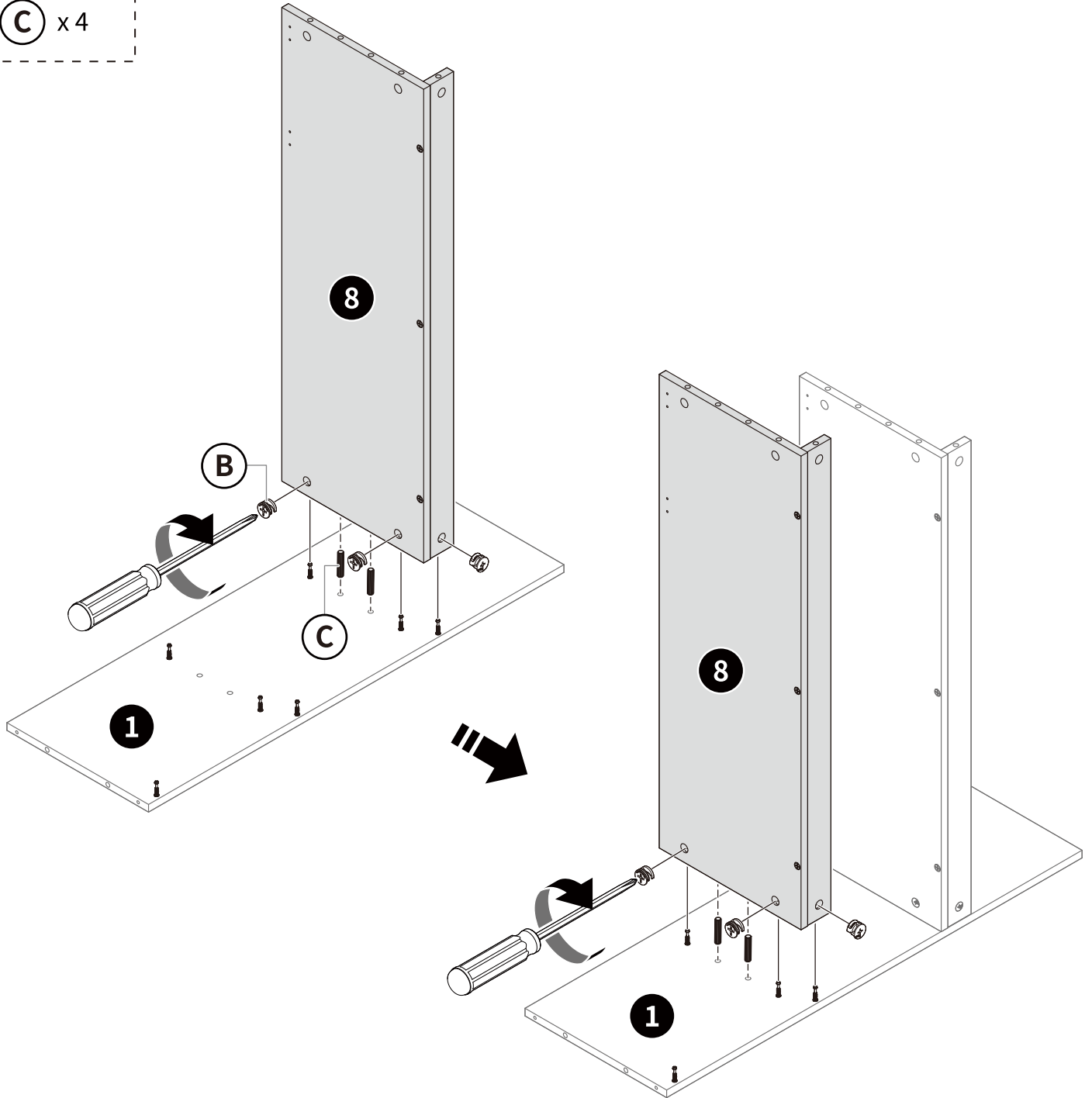
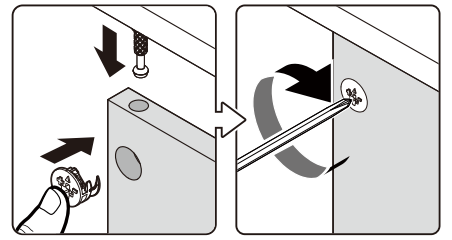
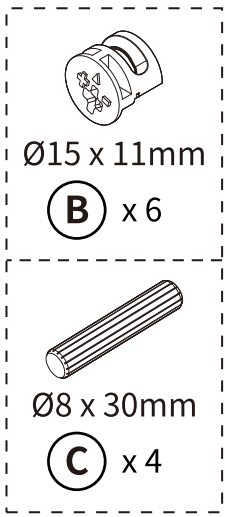


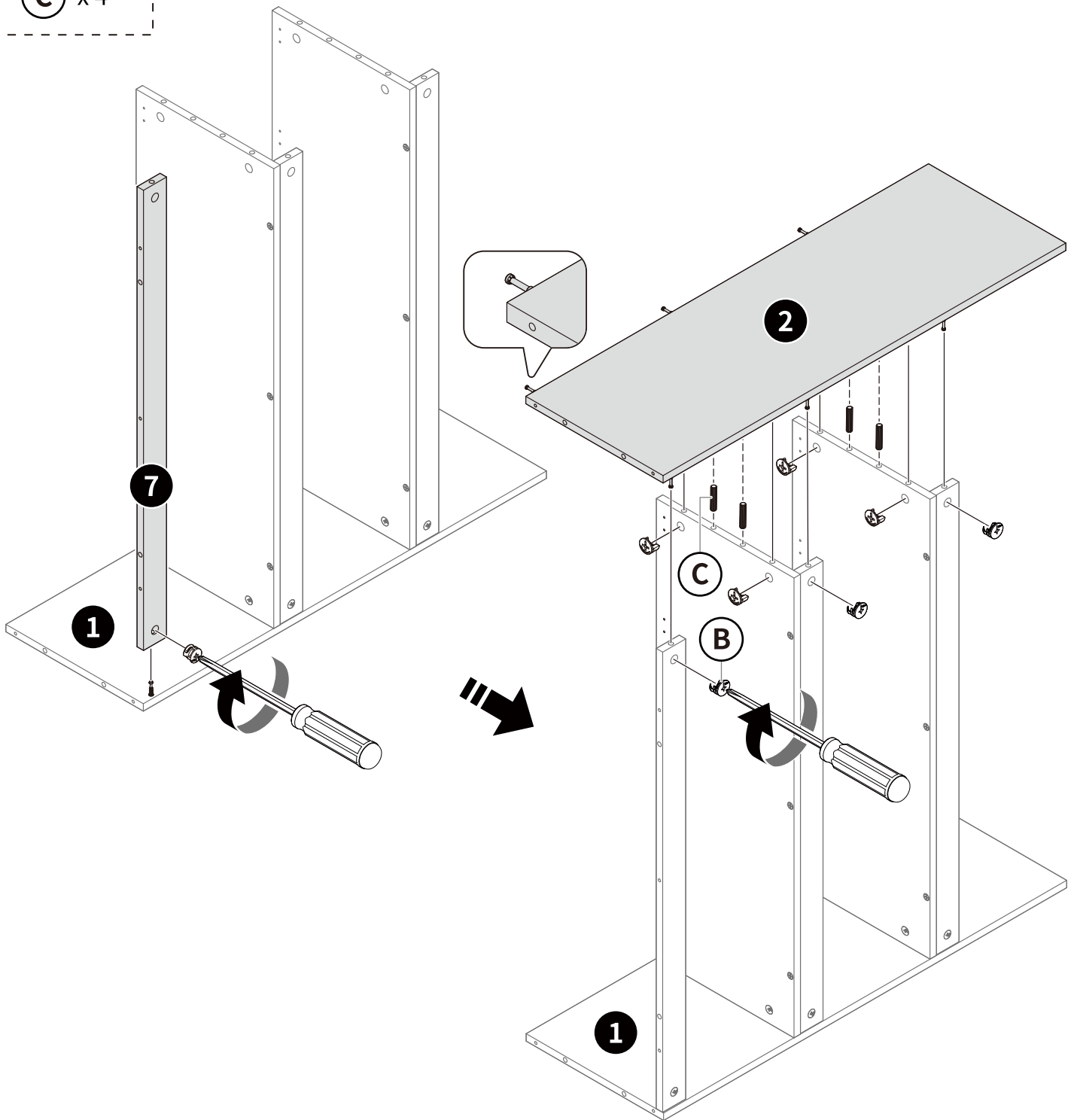
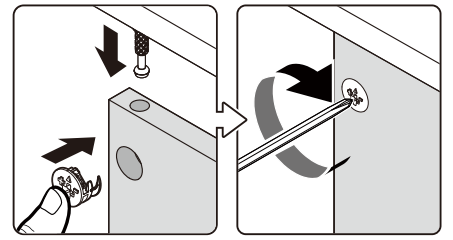
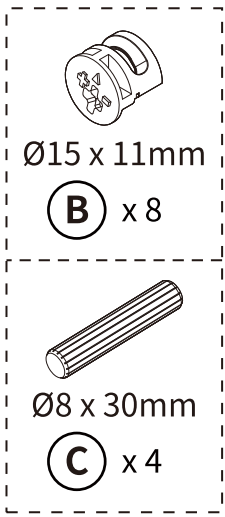
-  Ø8 x 30mm  
**(C)** x 8
-  Ø6 x 50mm  
**(D)** x 8

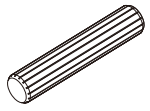


-  Ø8 x 30mm  
**(C)** x 8
-  Ø6 x 50mm  
**(D)** x 12



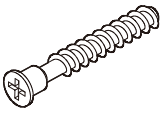






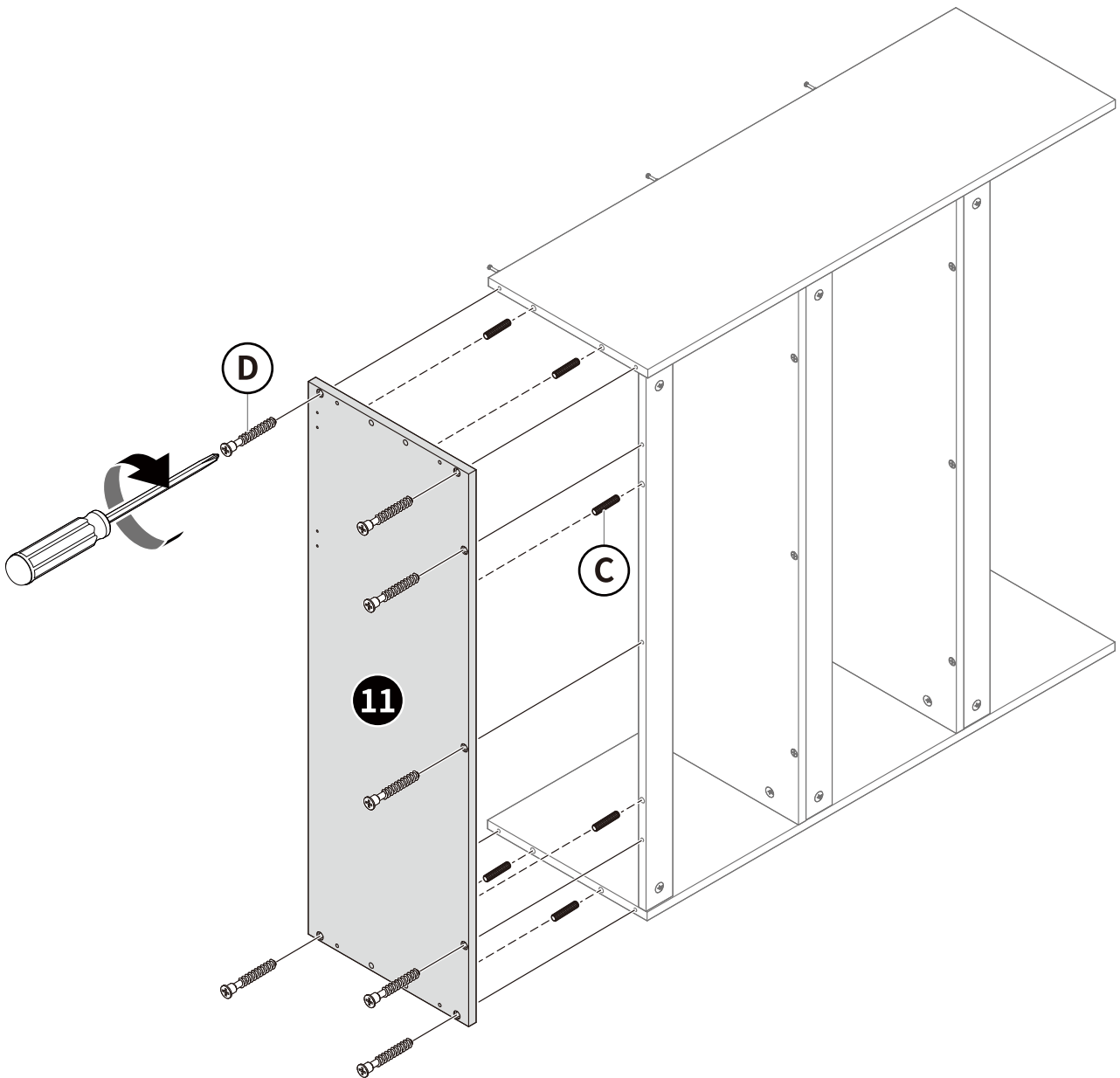
Ø8 x 30mm

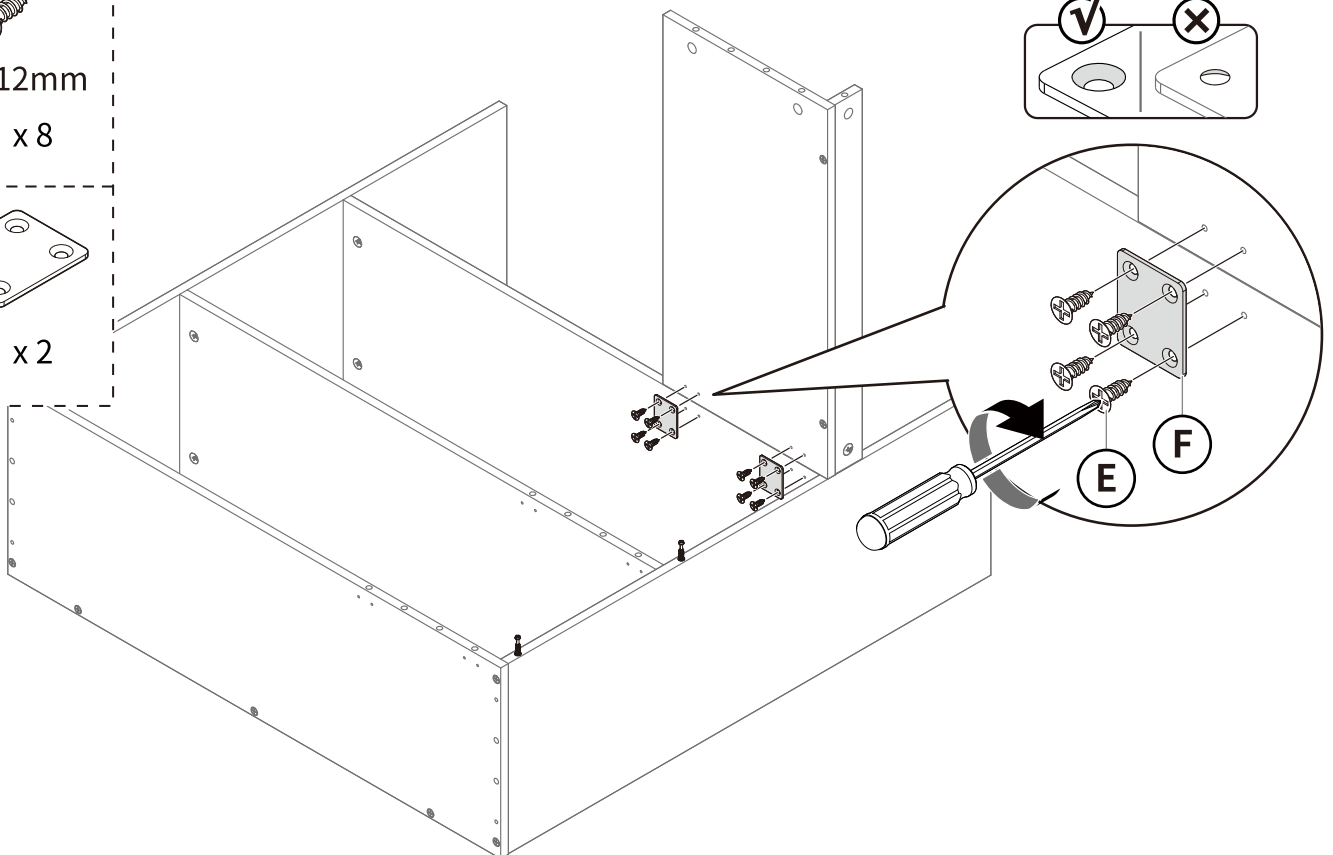
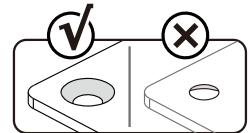
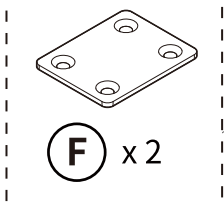
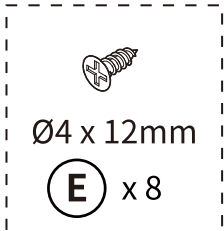
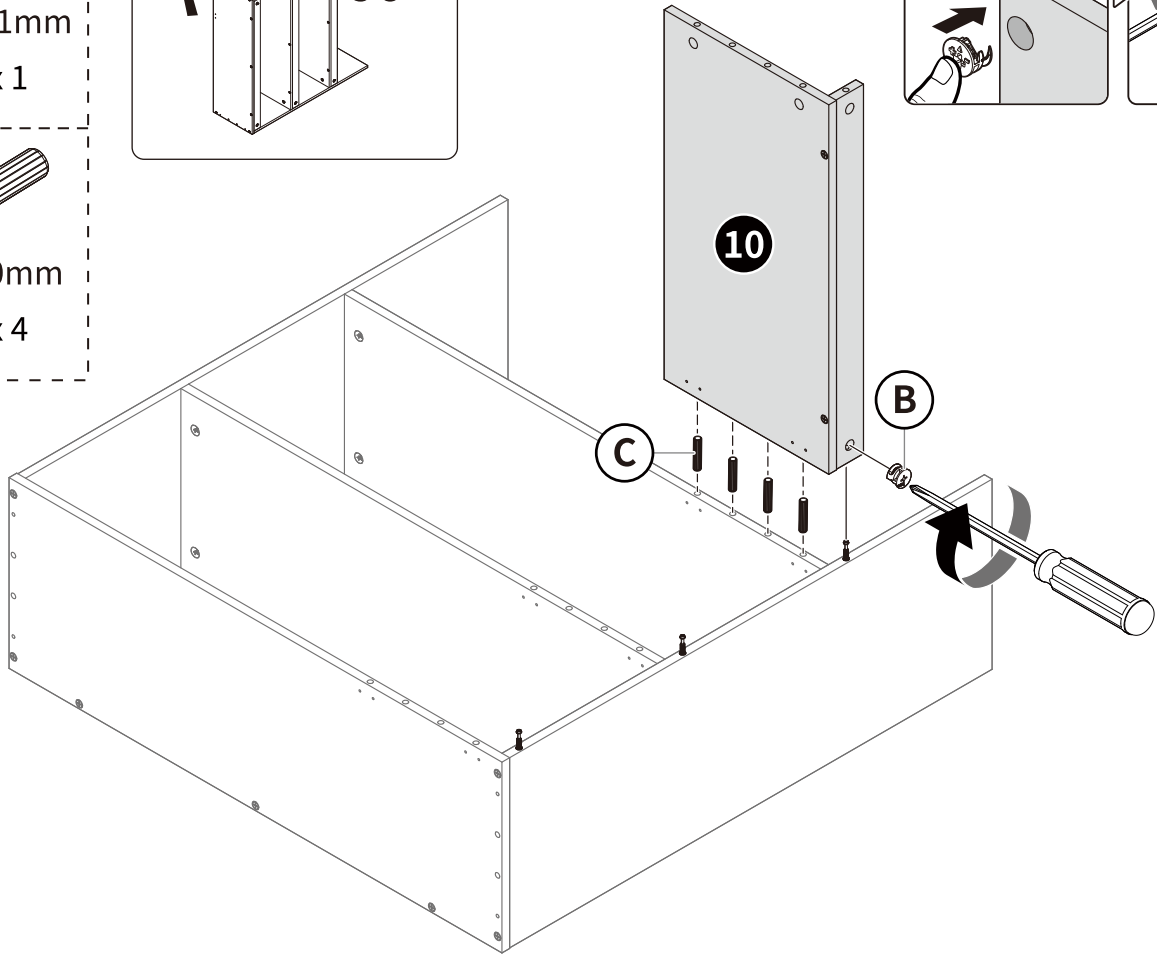
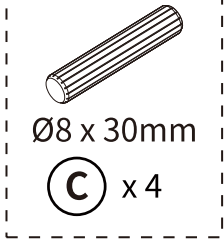
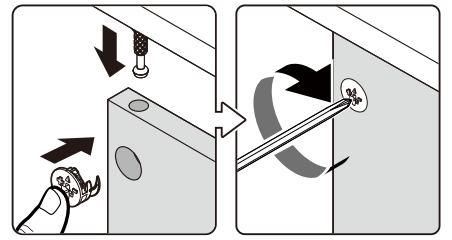
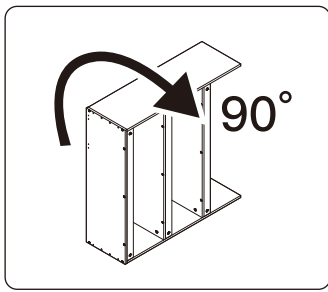
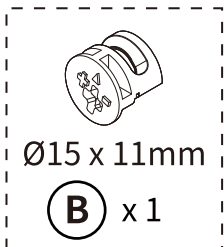
**C** x 6

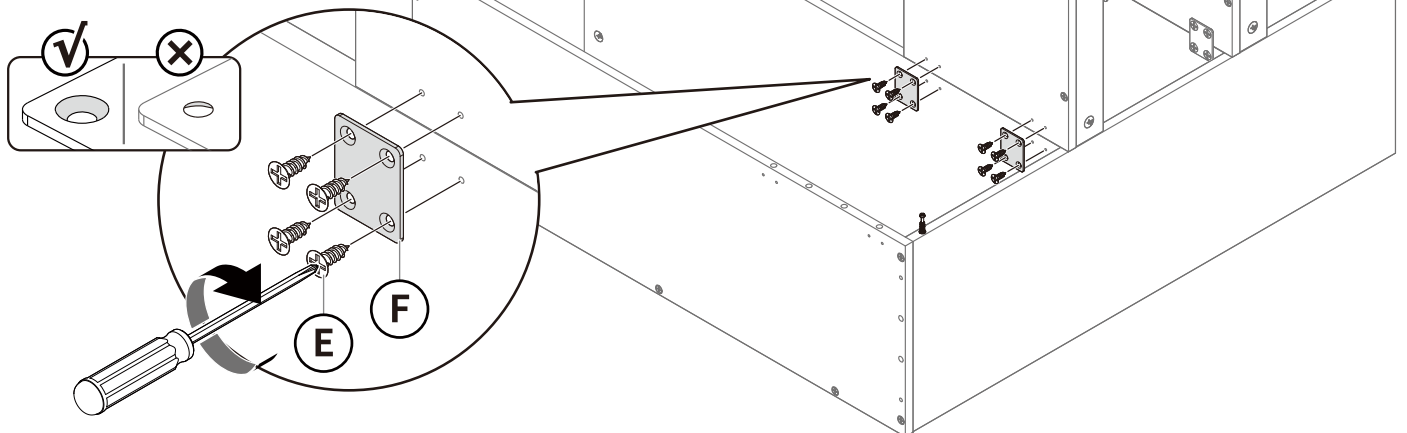
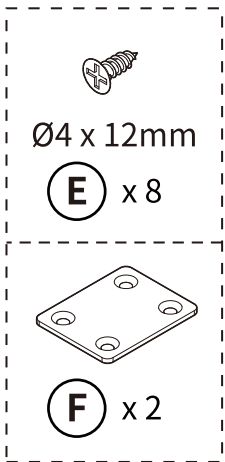
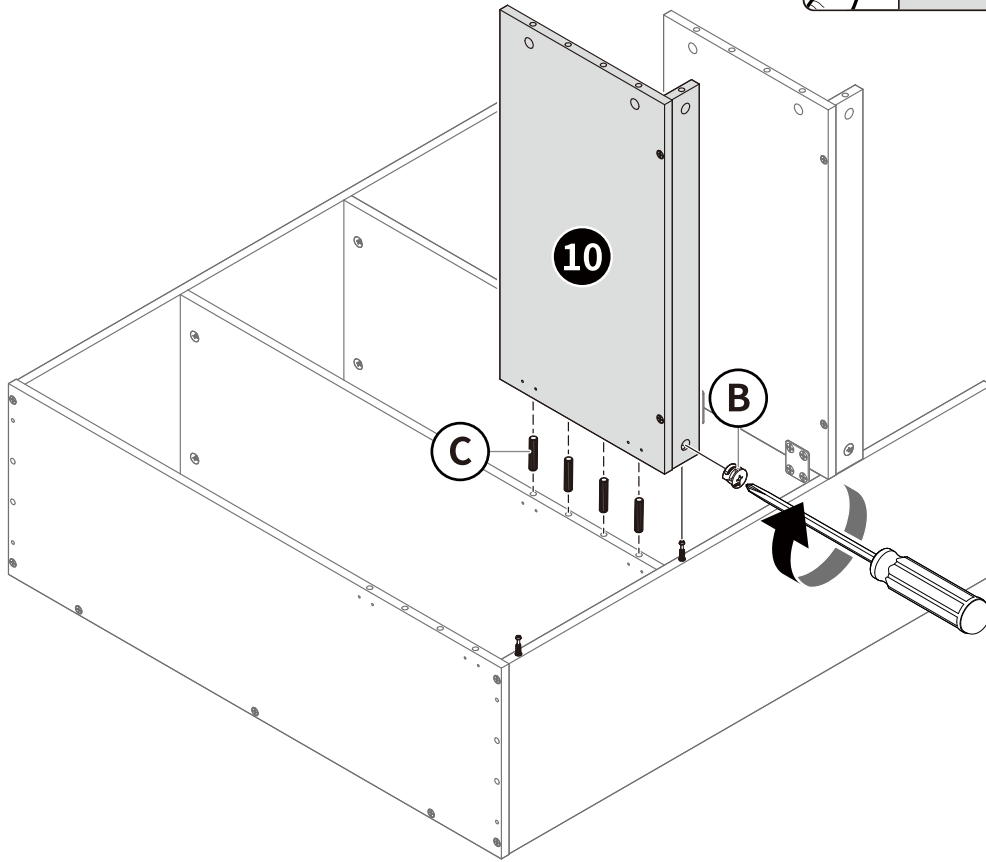
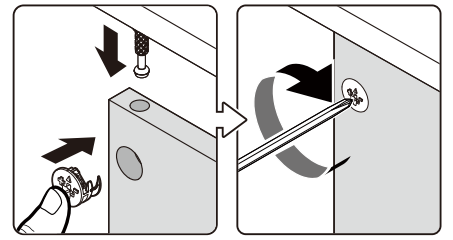
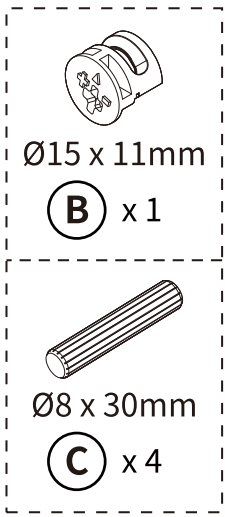


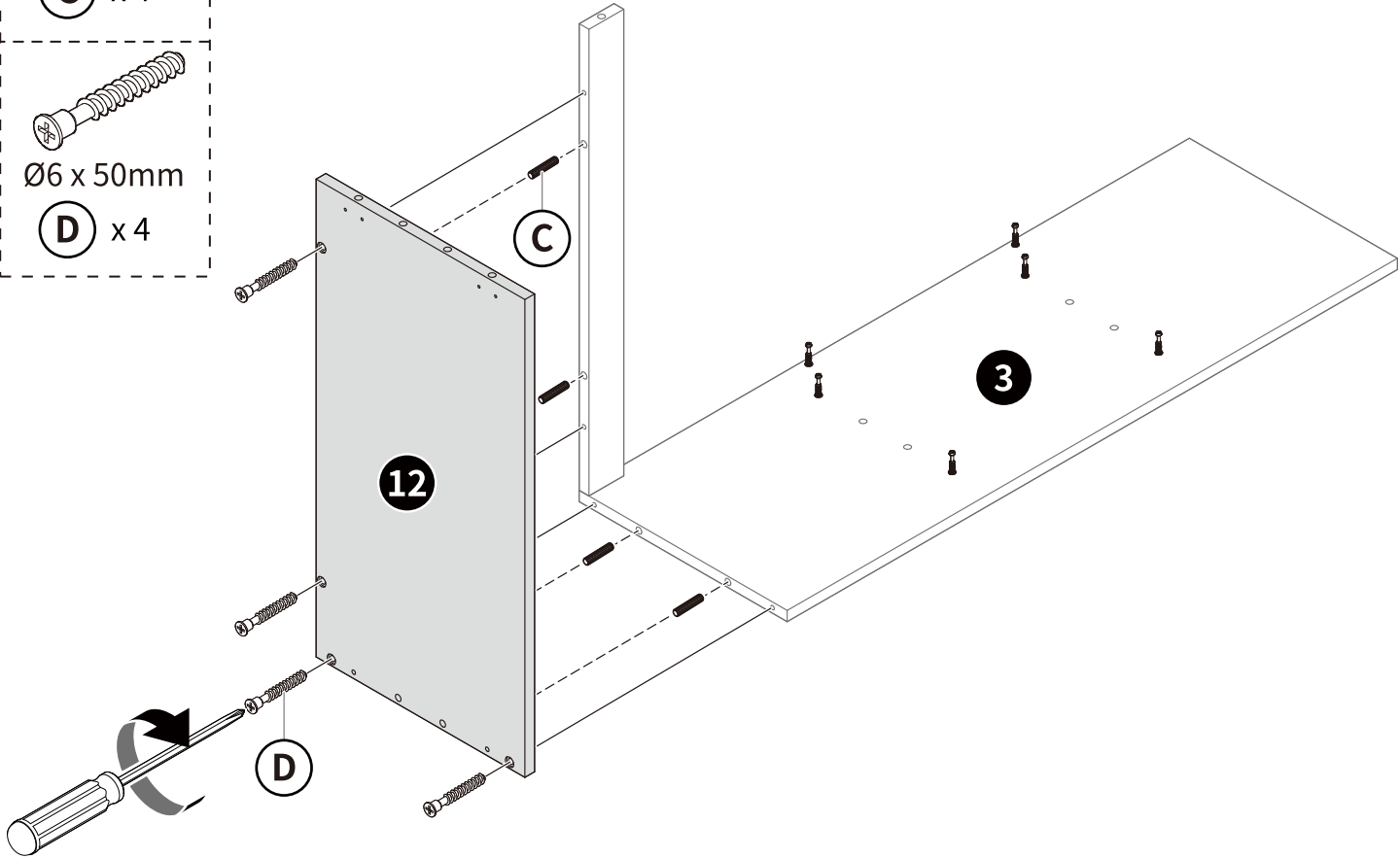
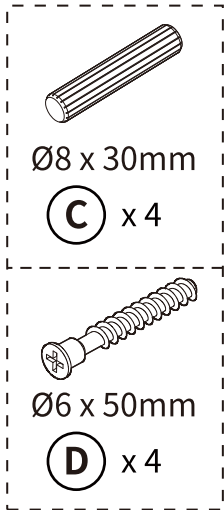
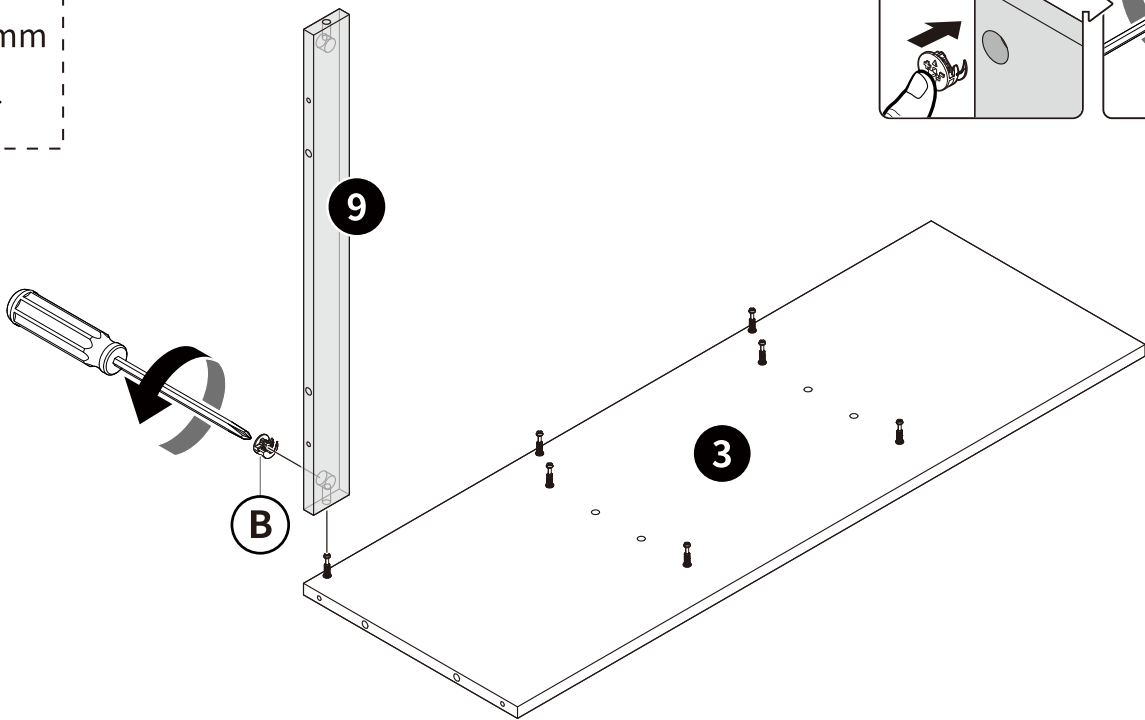
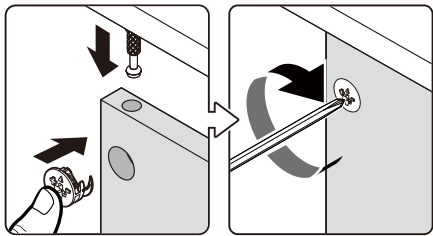
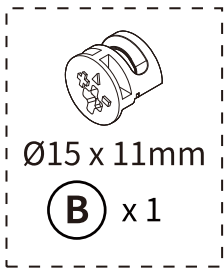
Ø6 x 50mm

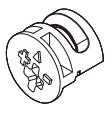
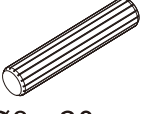

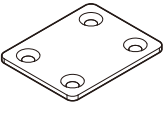
**D** x 7

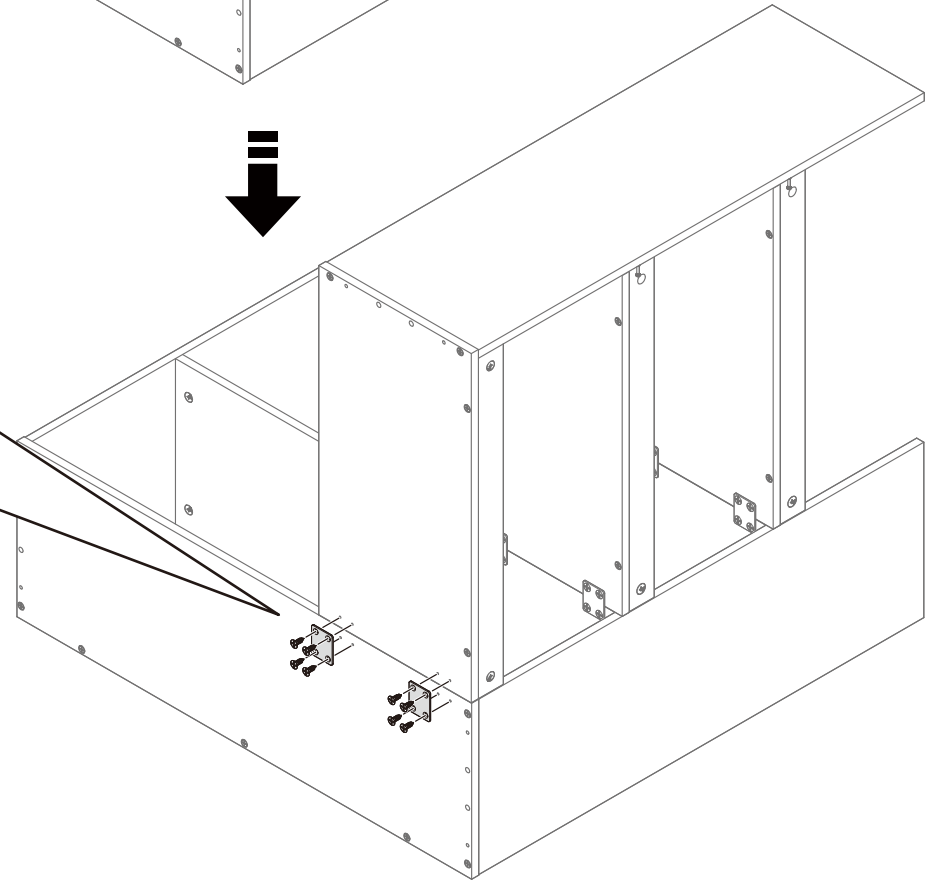
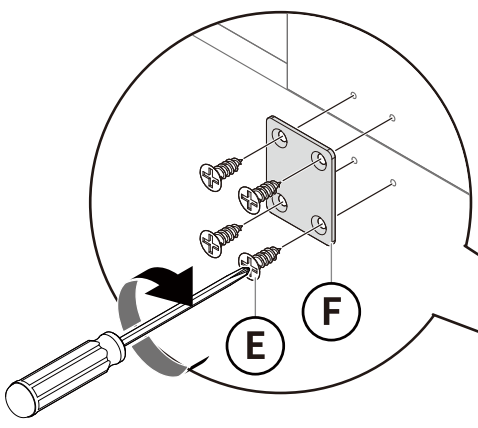
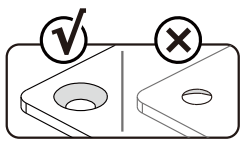
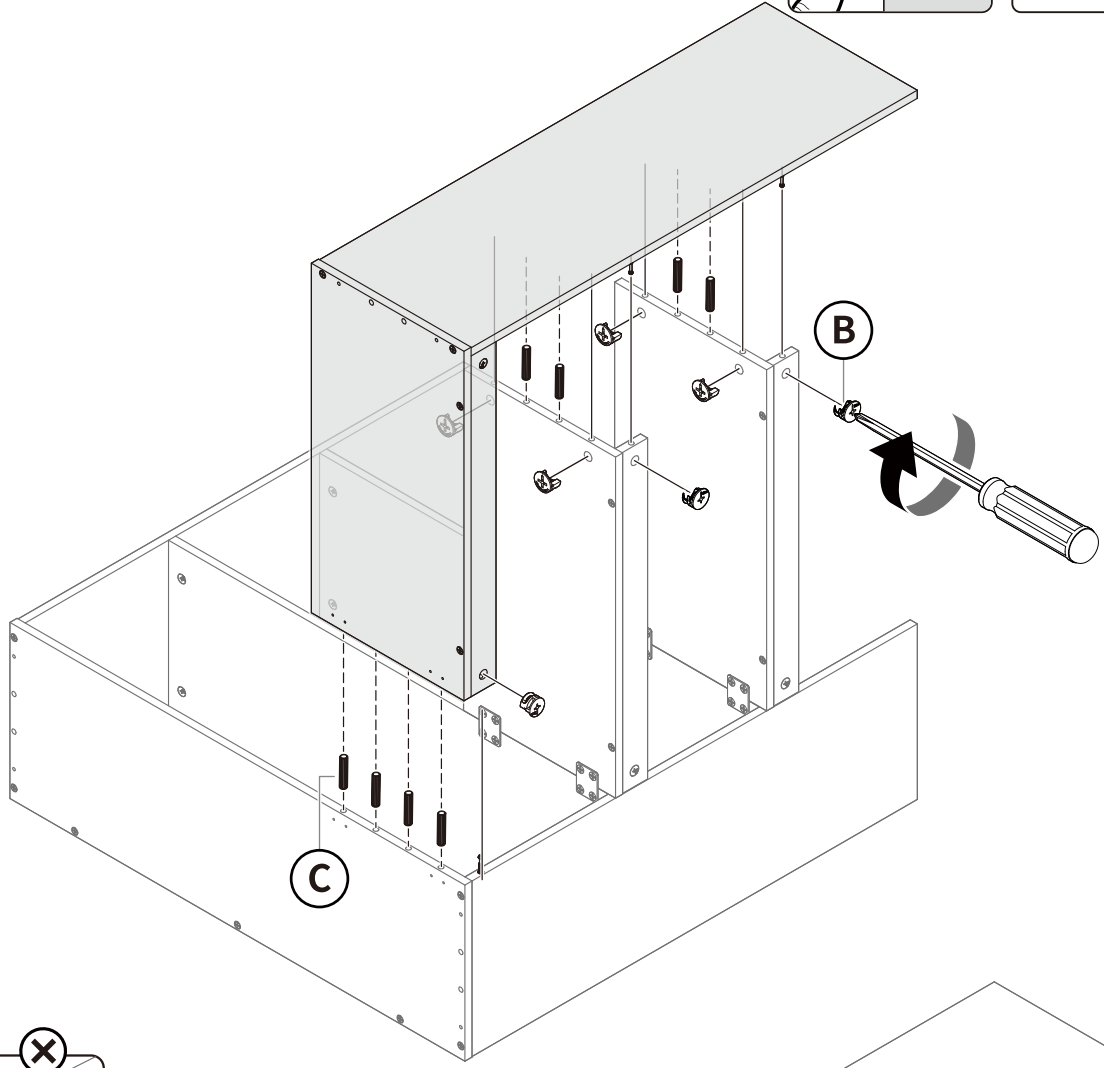
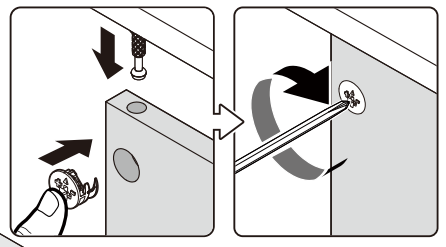


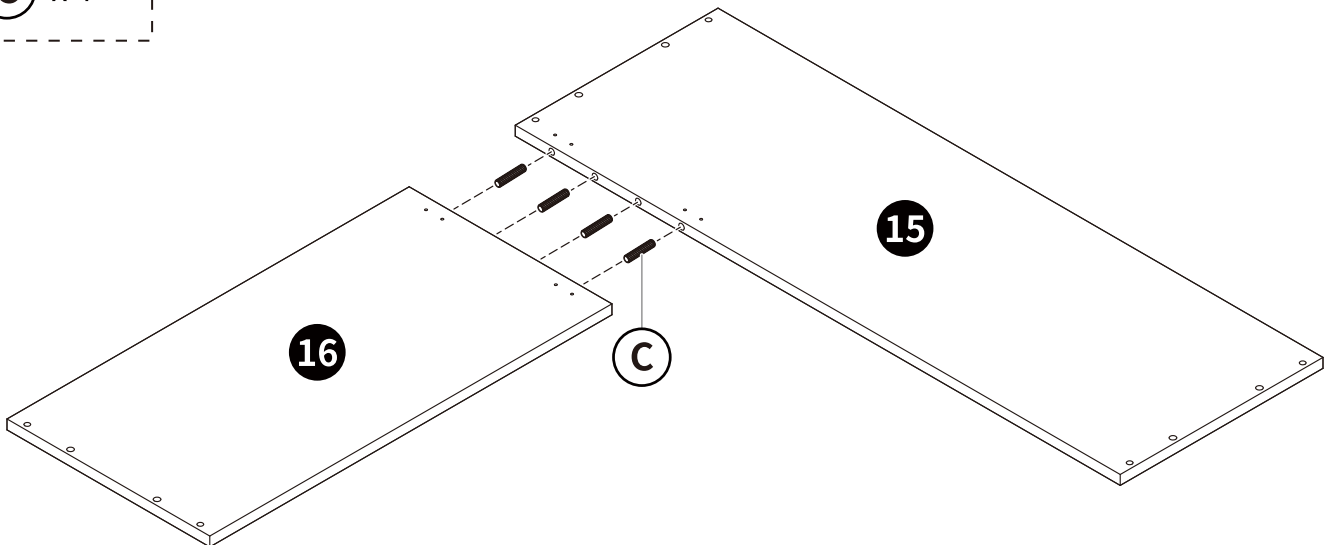
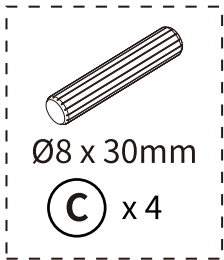
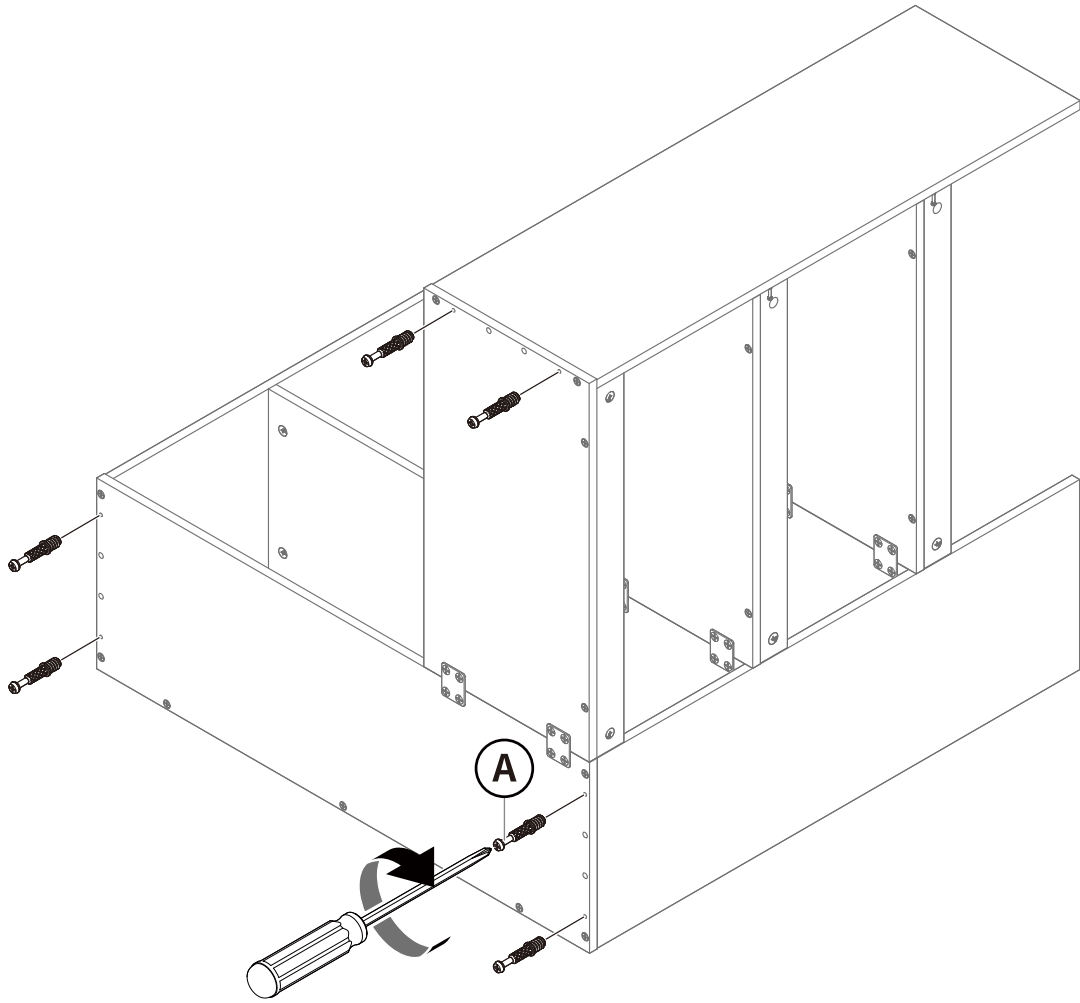
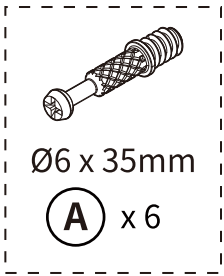


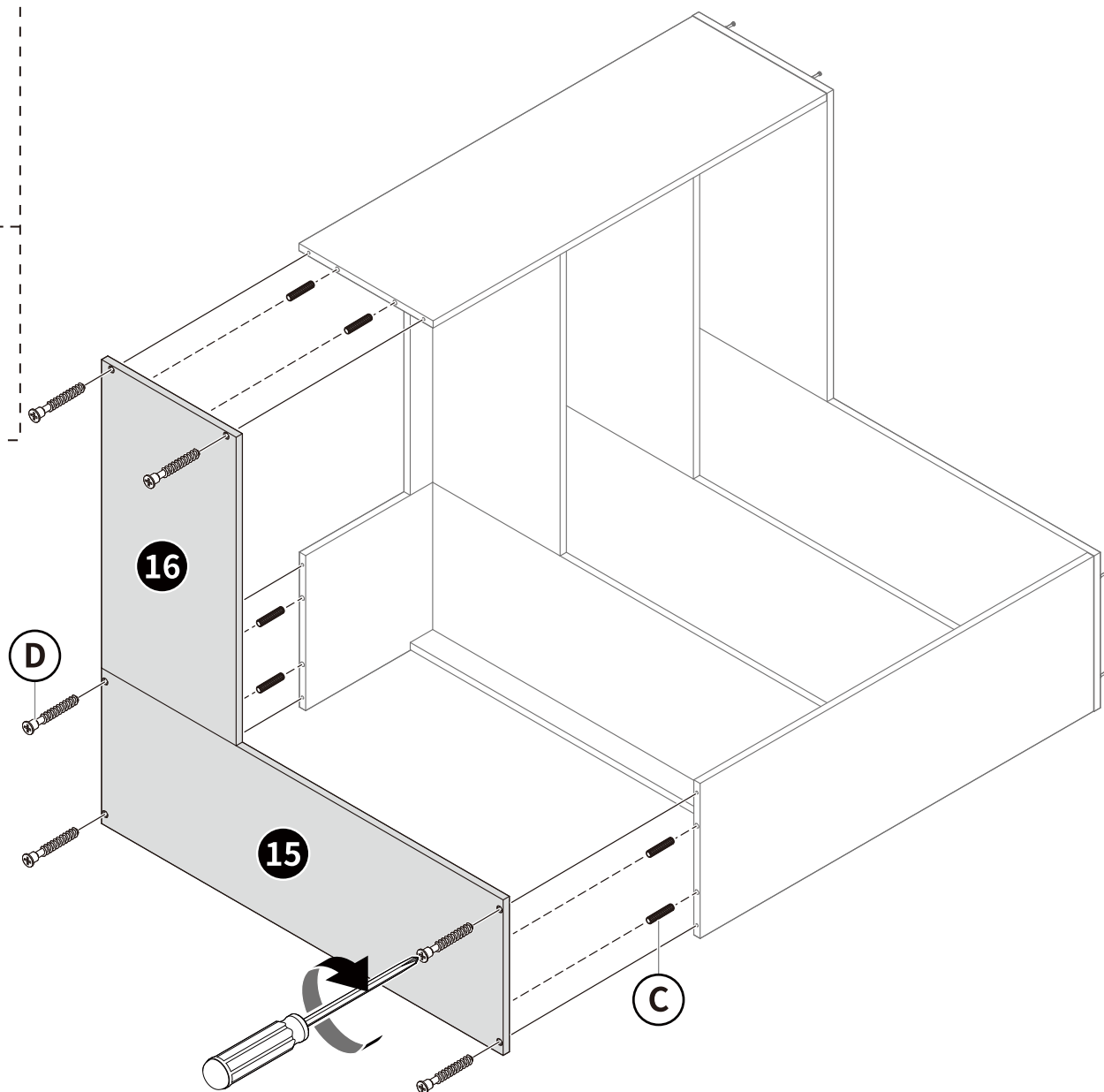
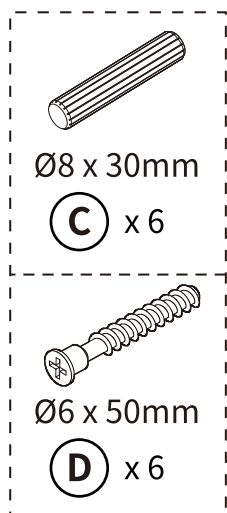
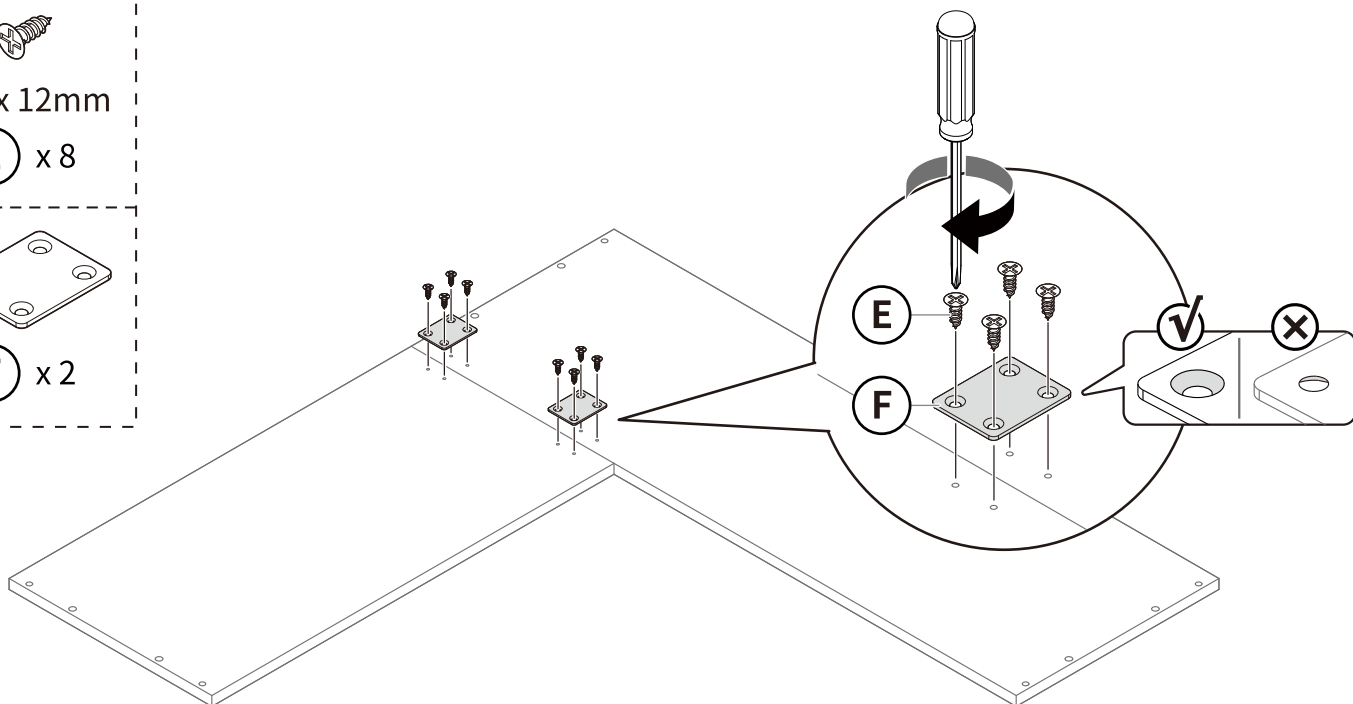
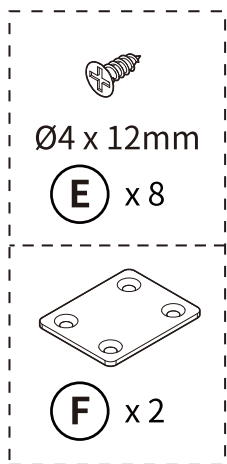




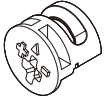
-   
Ø15 x 11mm  
**(B)** x 7
-   
Ø8 x 30mm  
**(C)** x 8
-   
Ø4 x 12mm  
**(E)** x 8
-   
**(F)** x 2





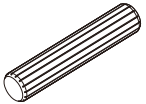


# 2



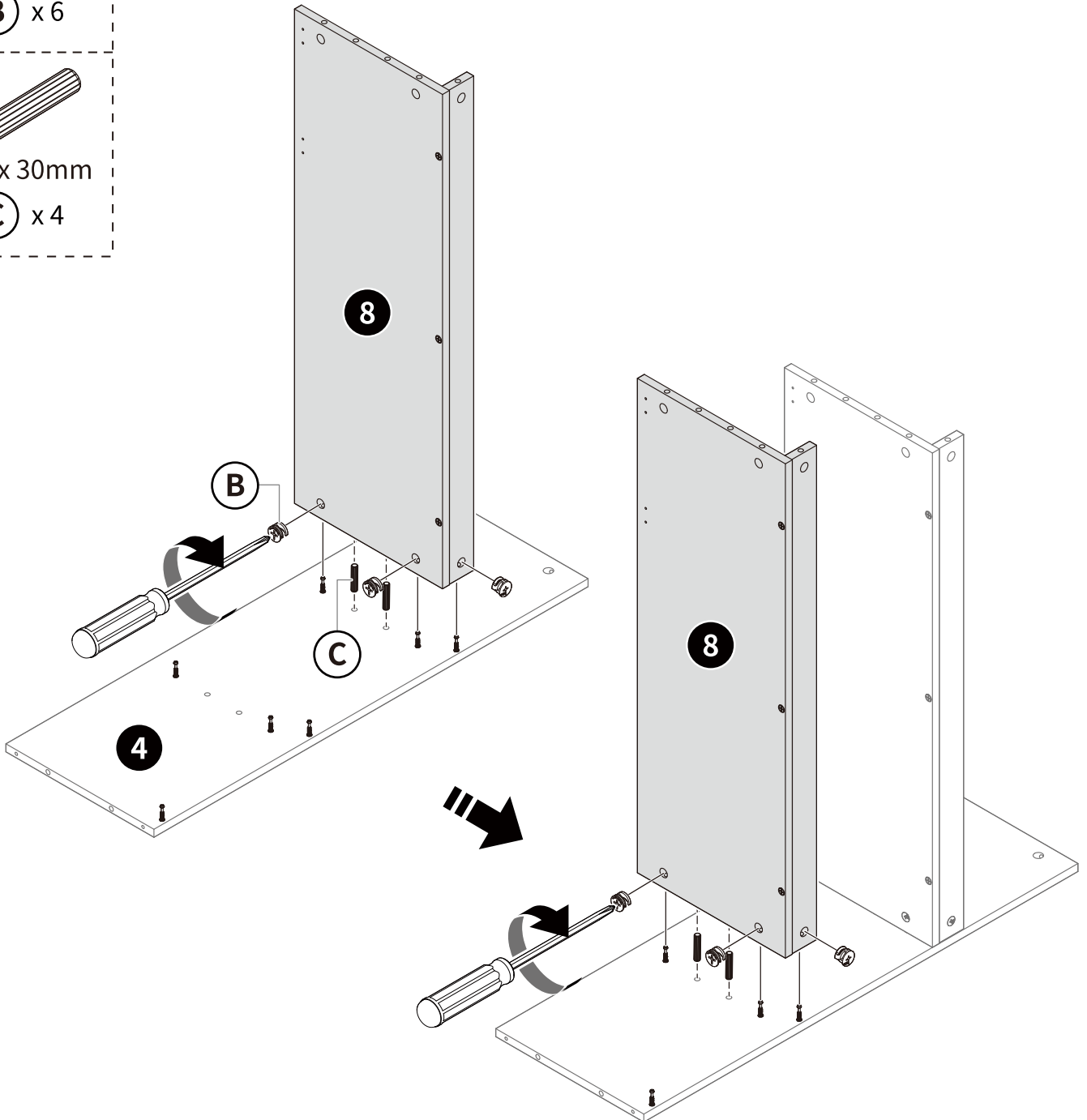
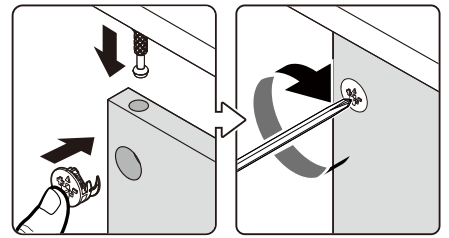
Ø15 x 11mm

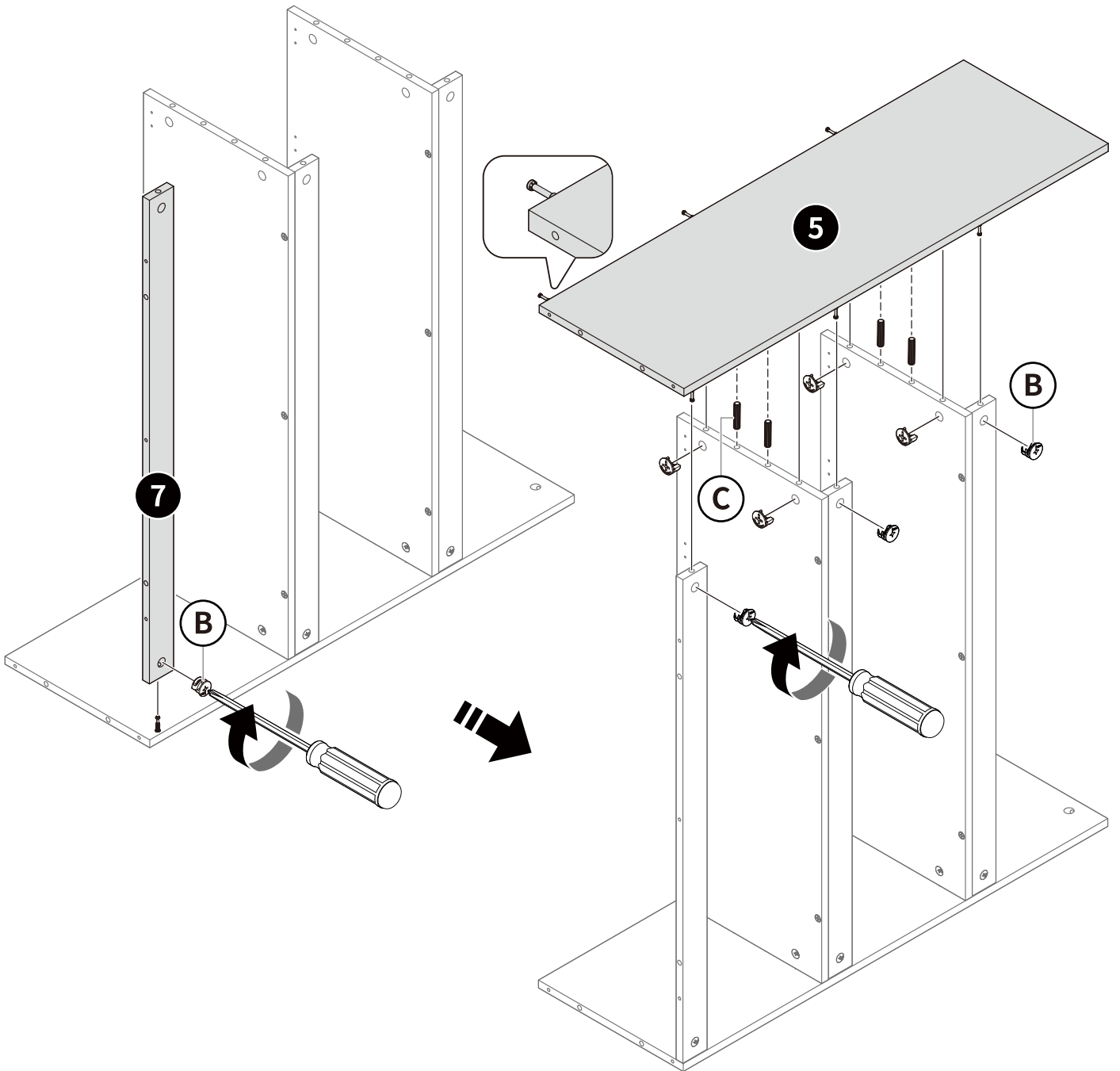
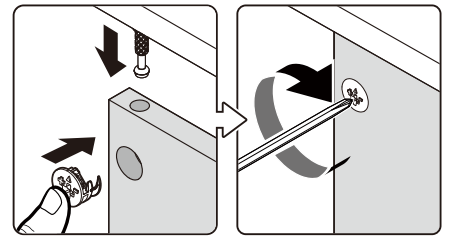
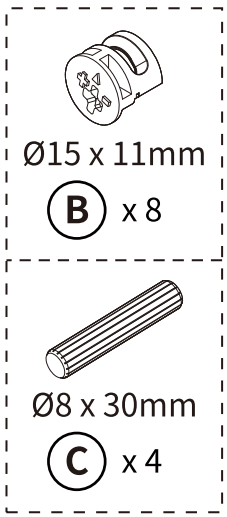
**(B)** x 6

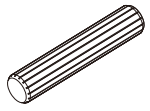


Ø8 x 30mm

**(C)** x 4

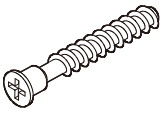






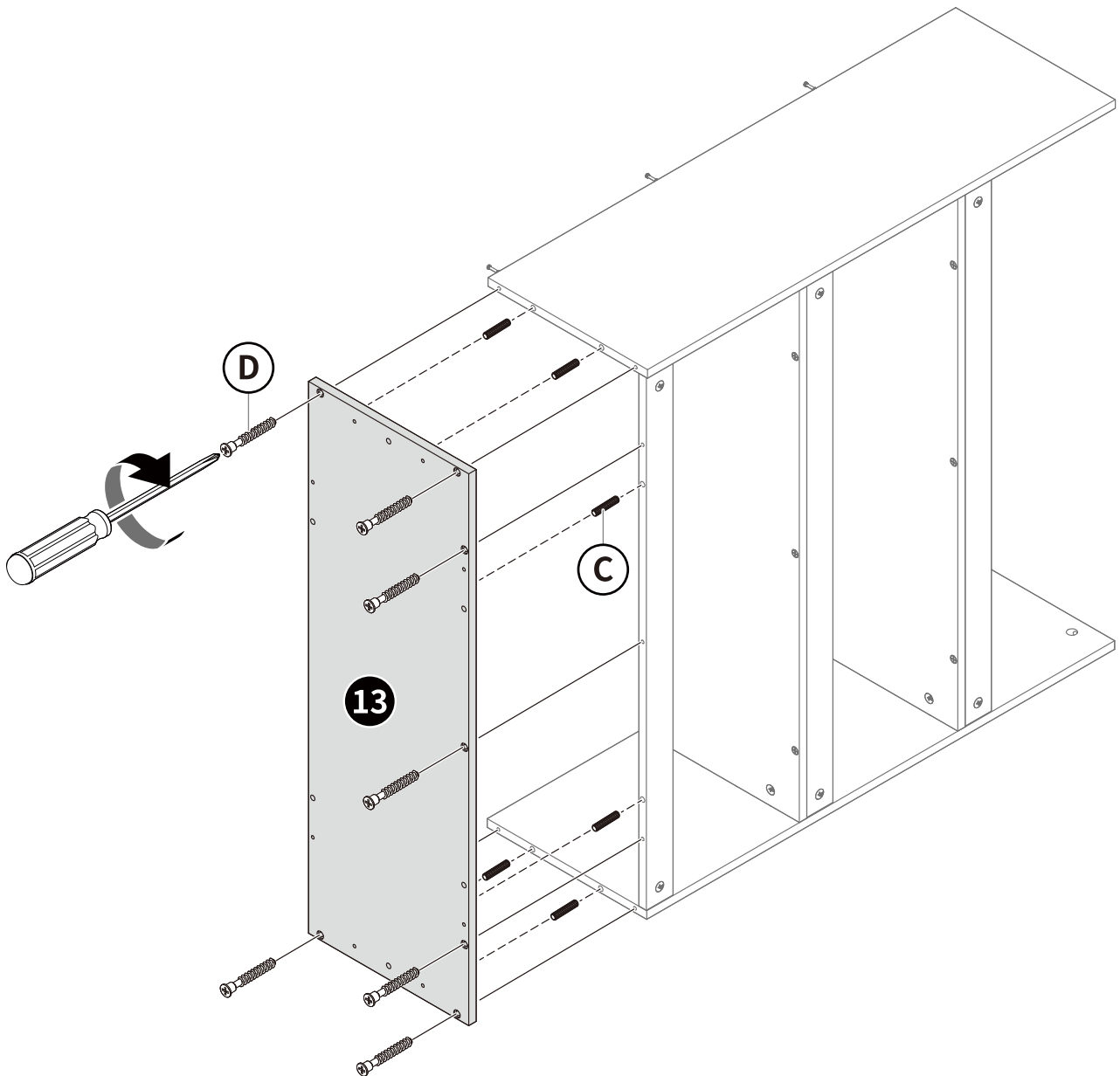
Ø8 x 30mm

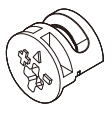
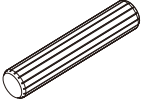
**C** x 6

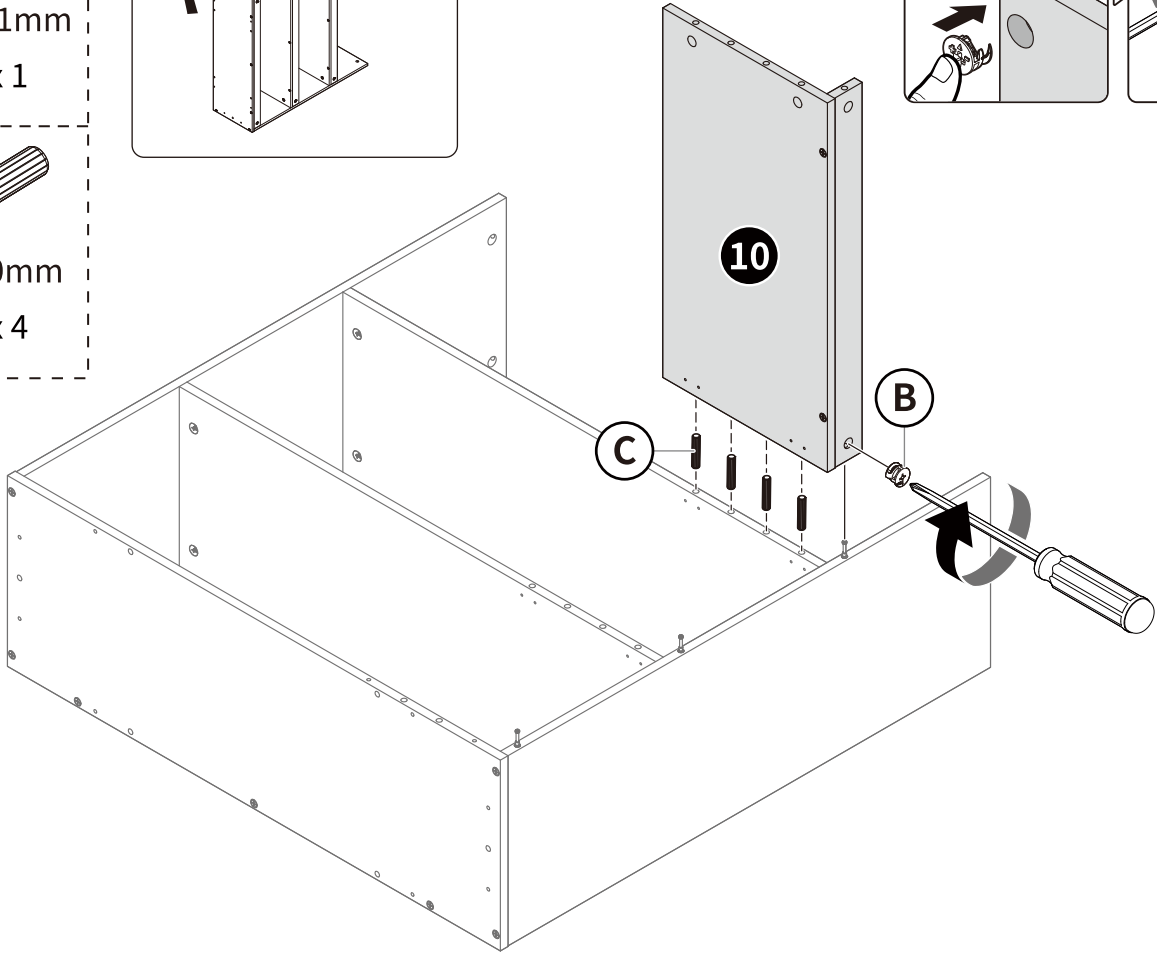
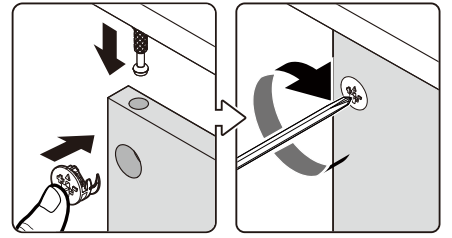
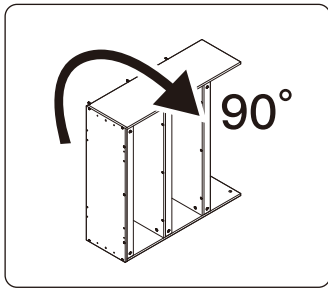



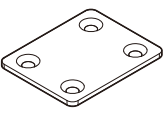
Ø6 x 50mm

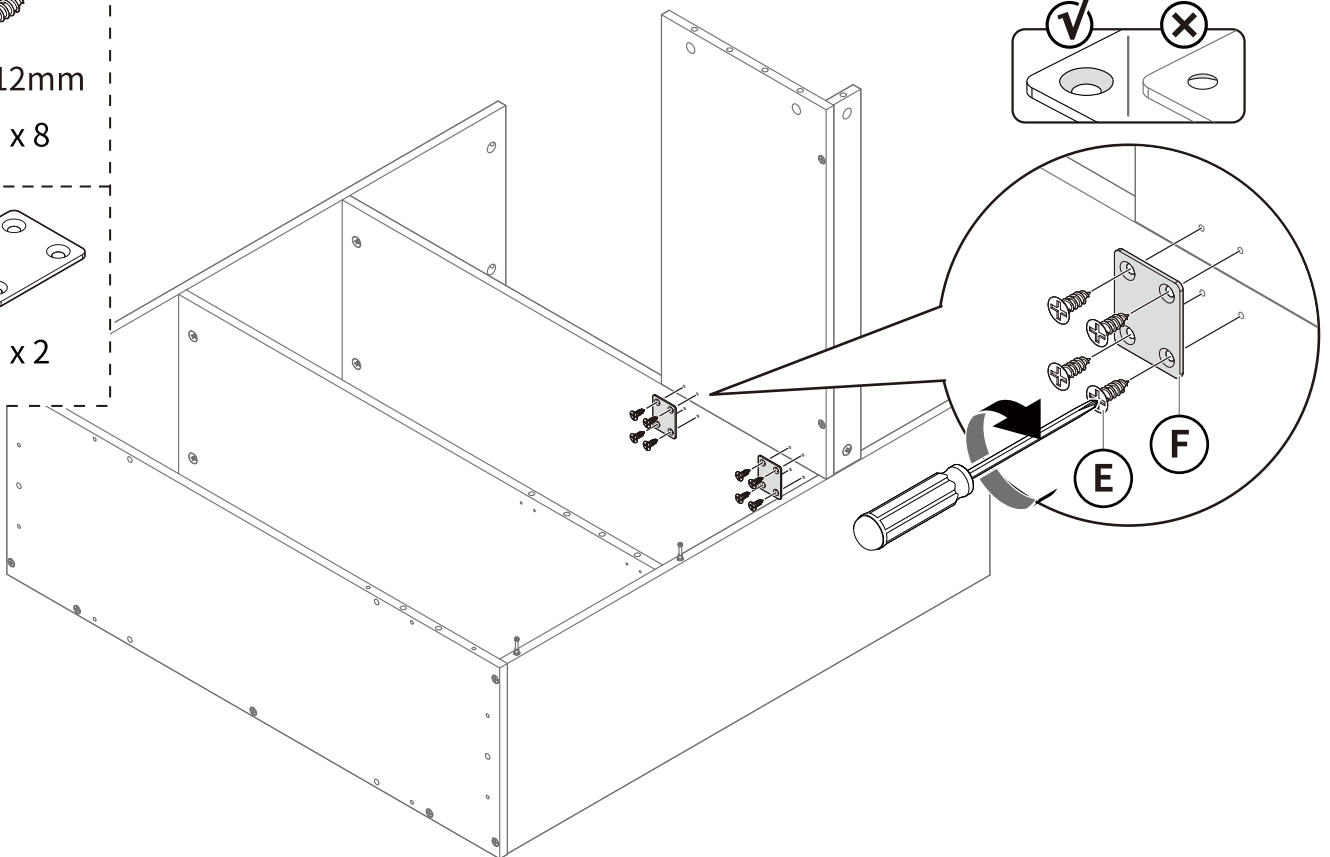
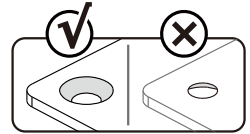
**D** x 7

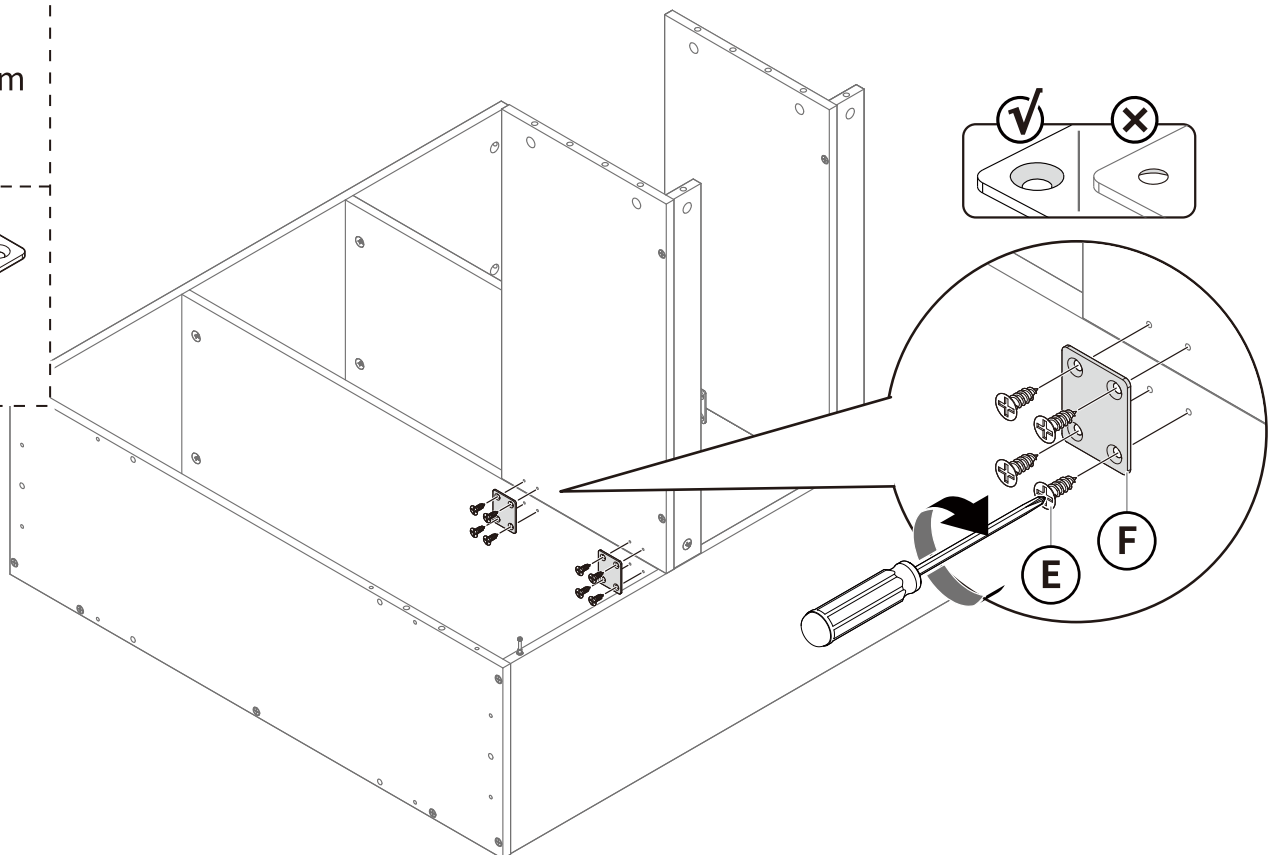
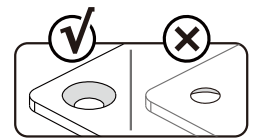
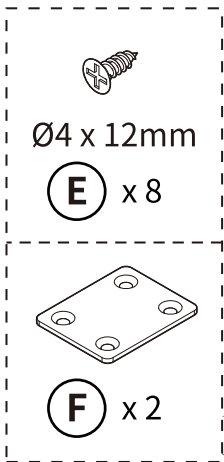
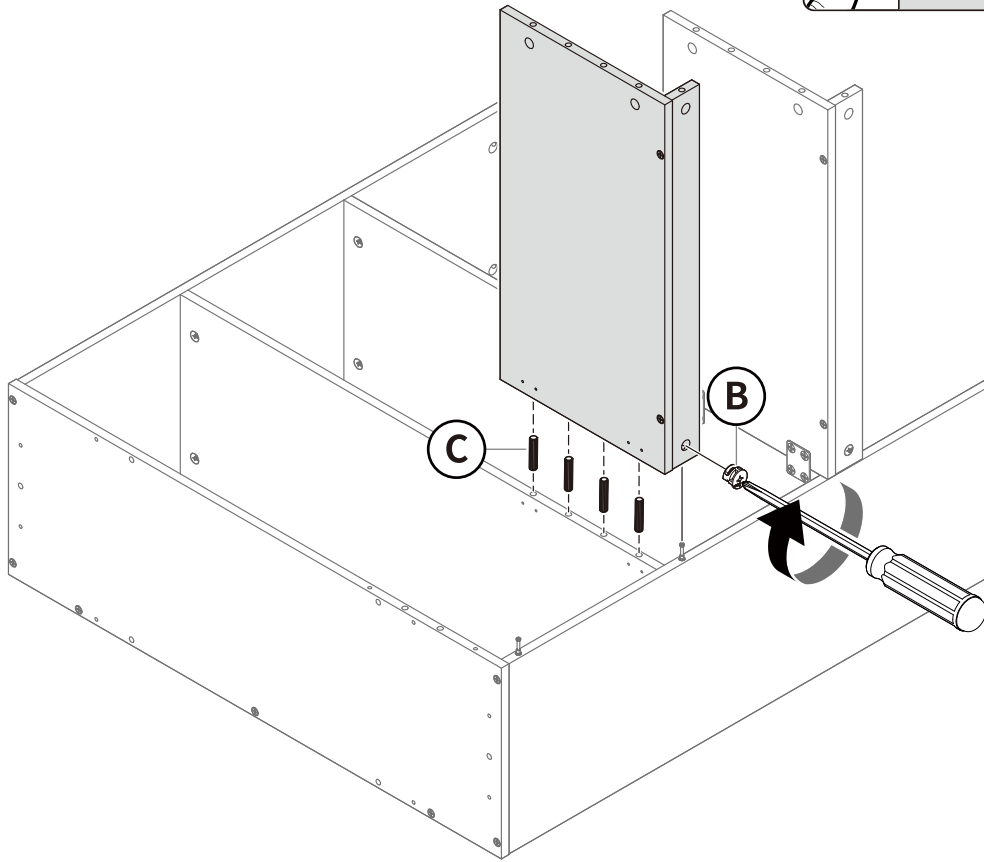
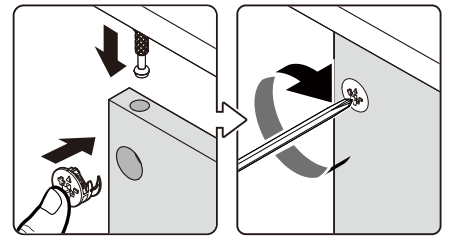
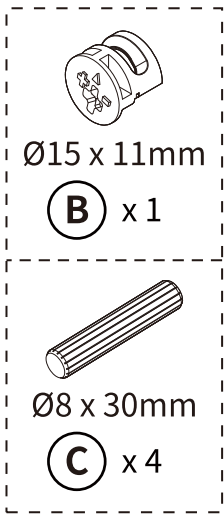


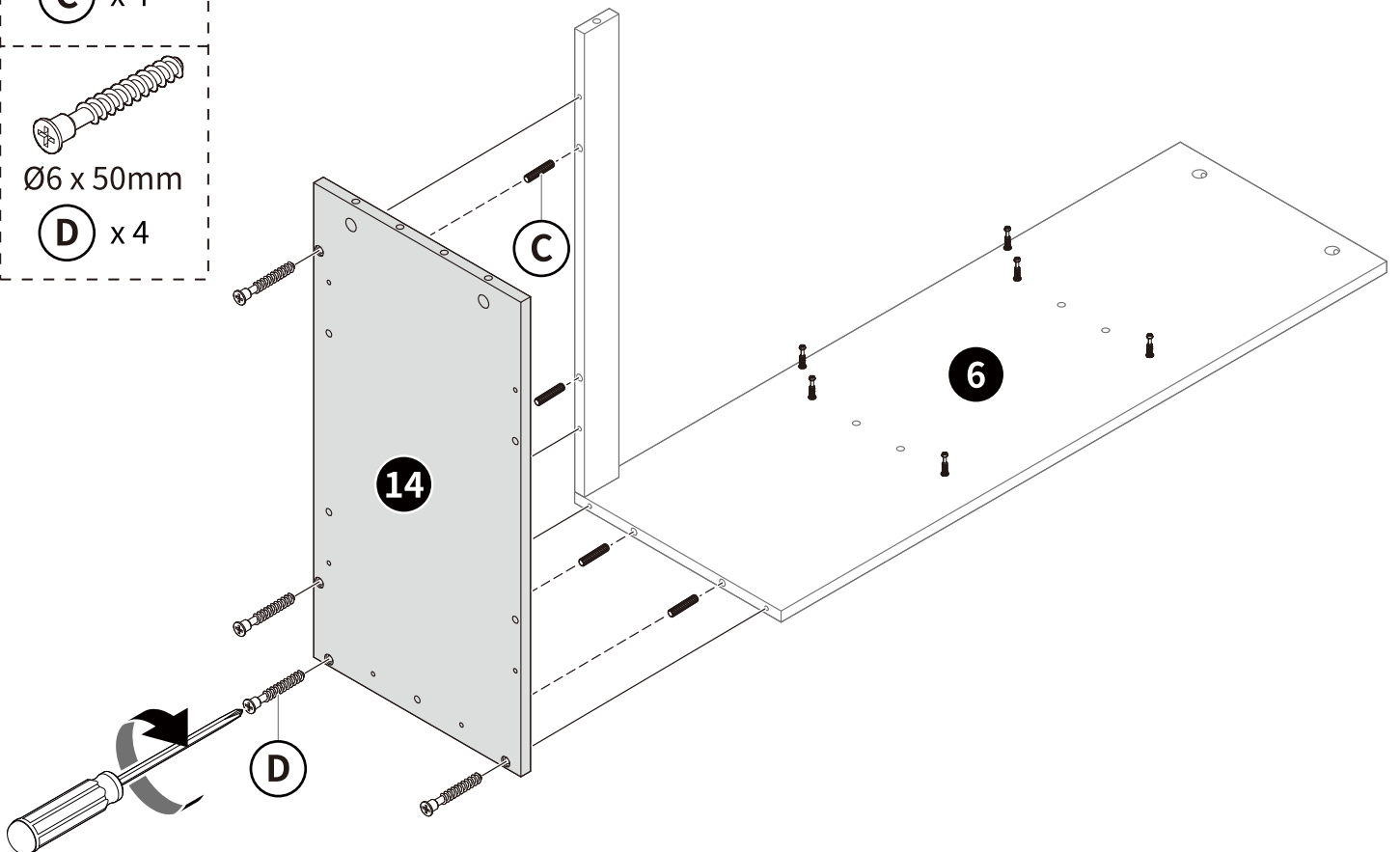
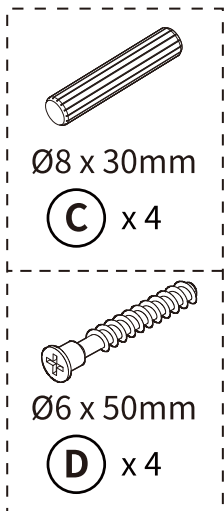
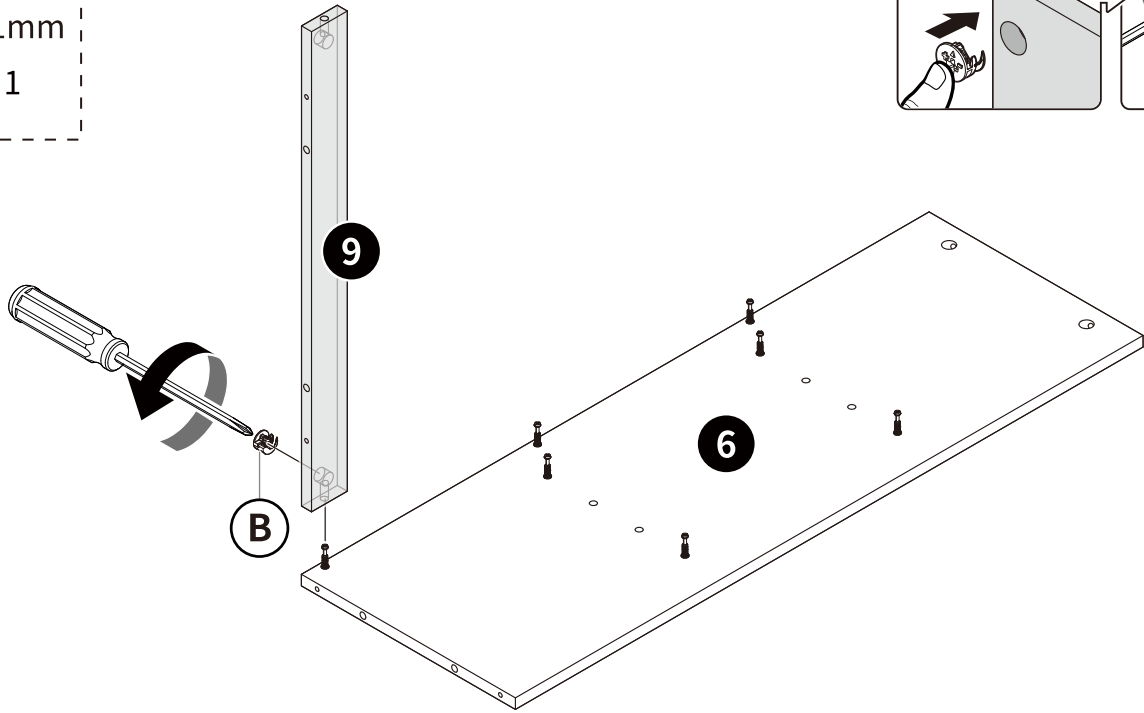
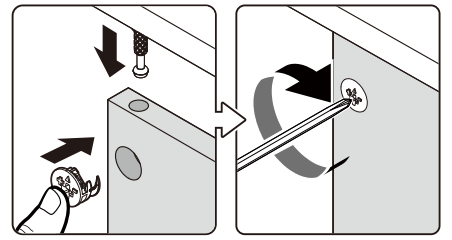
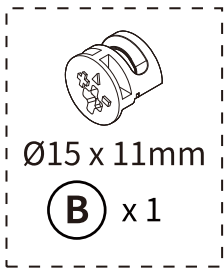
-  Ø15 x 11mm  
**(B)** x 1
-  Ø8 x 30mm  
**(C)** x 4

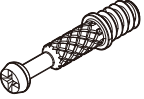
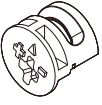
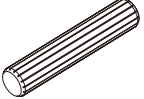


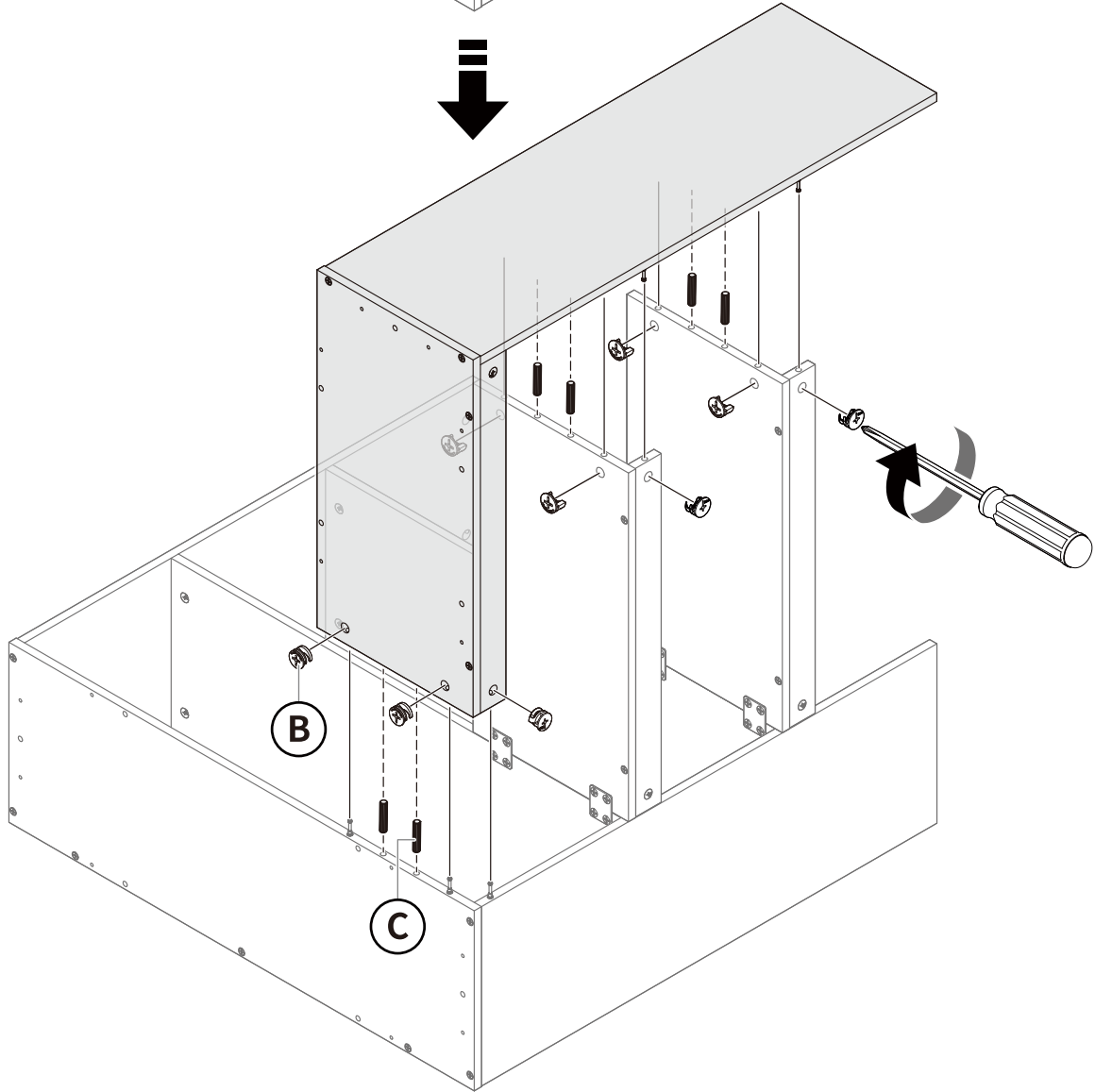
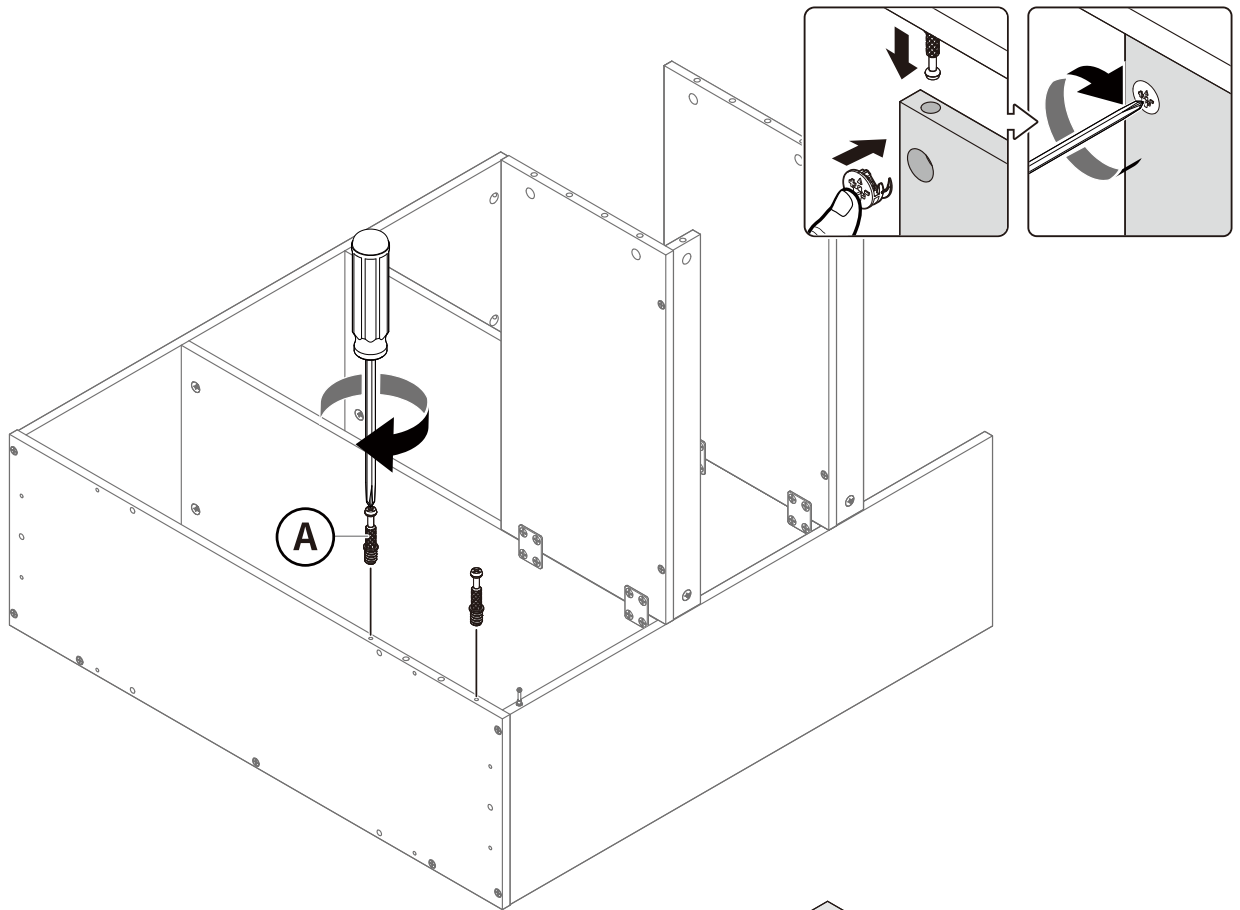
-  Ø4 x 12mm  
**(E)** x 8
-  **(F)** x 2

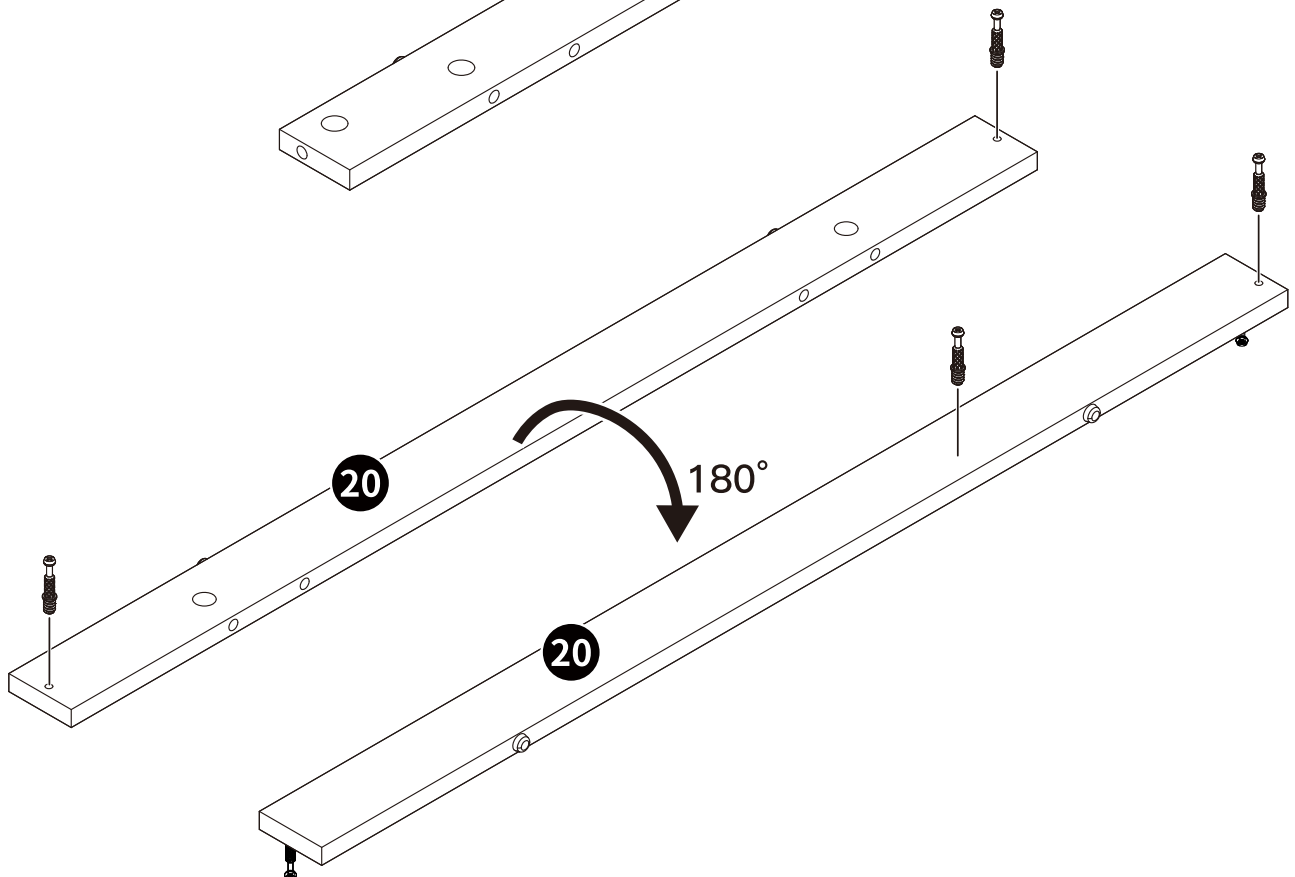
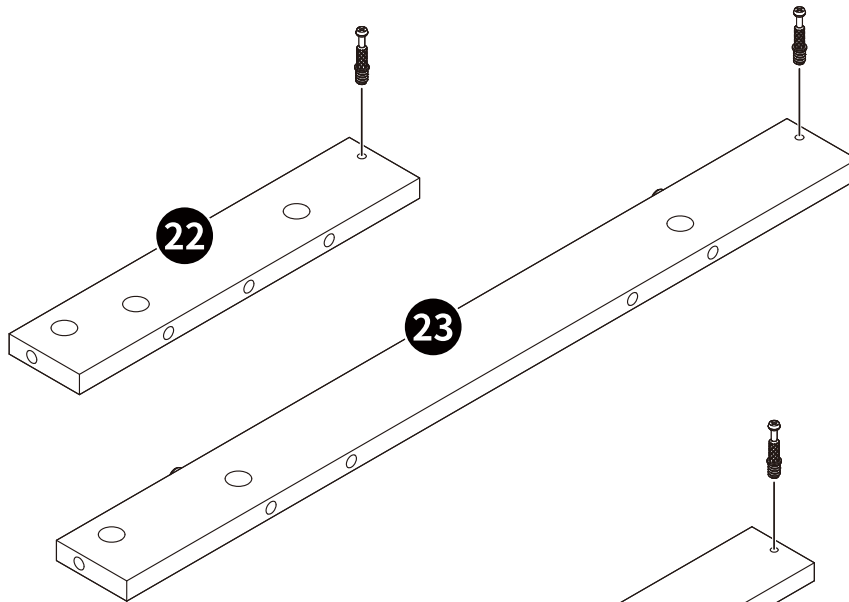
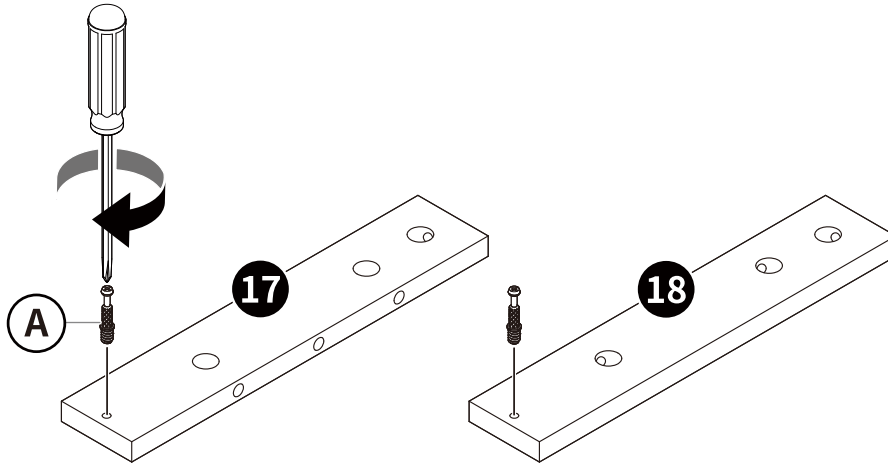
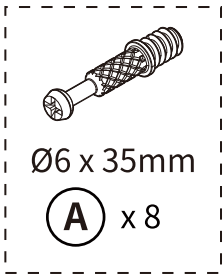


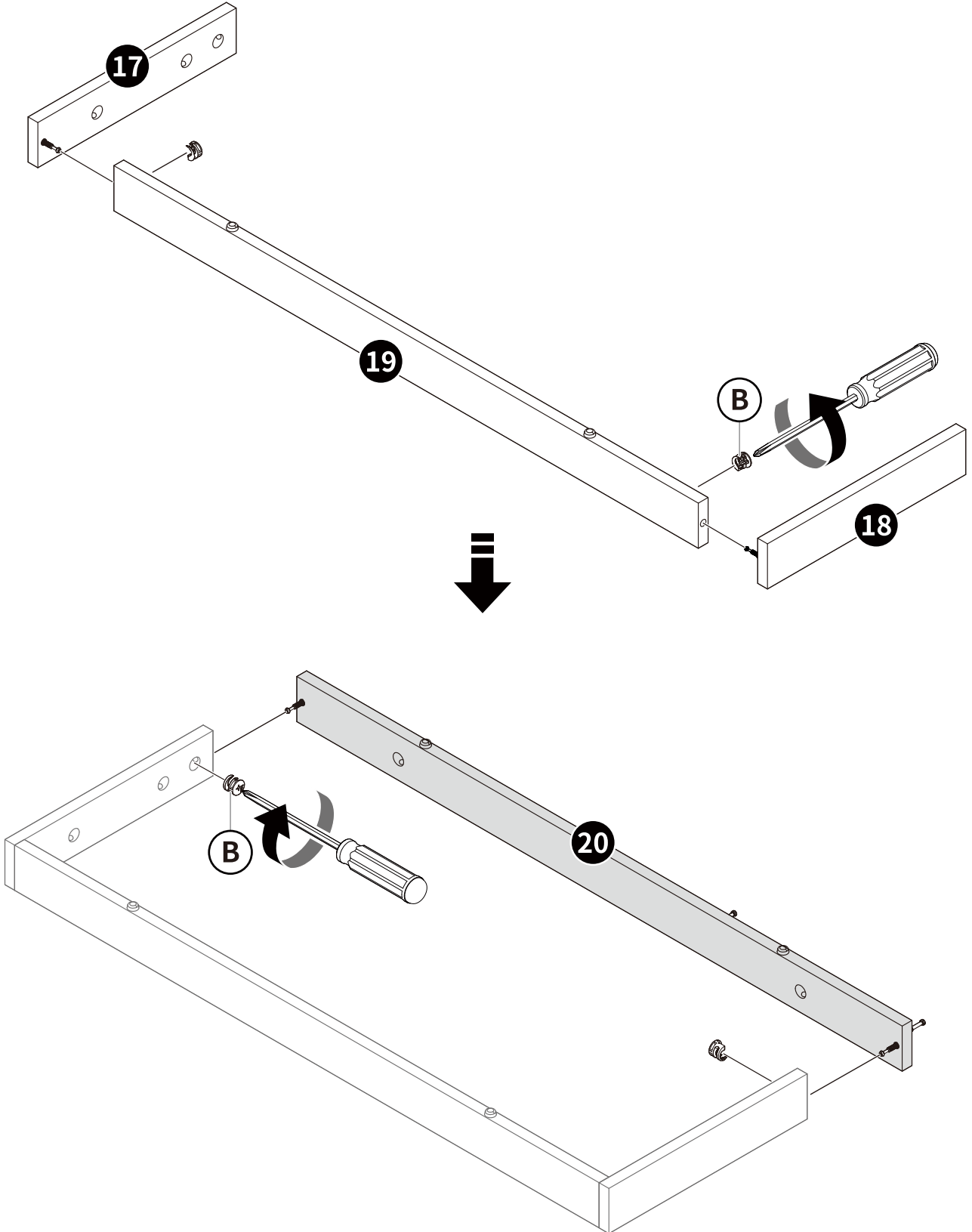
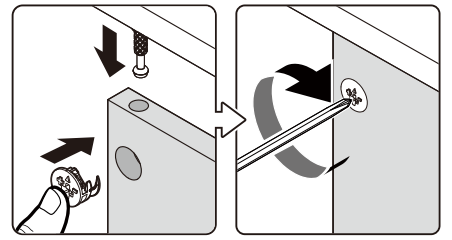
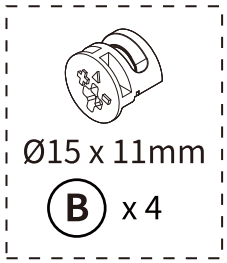


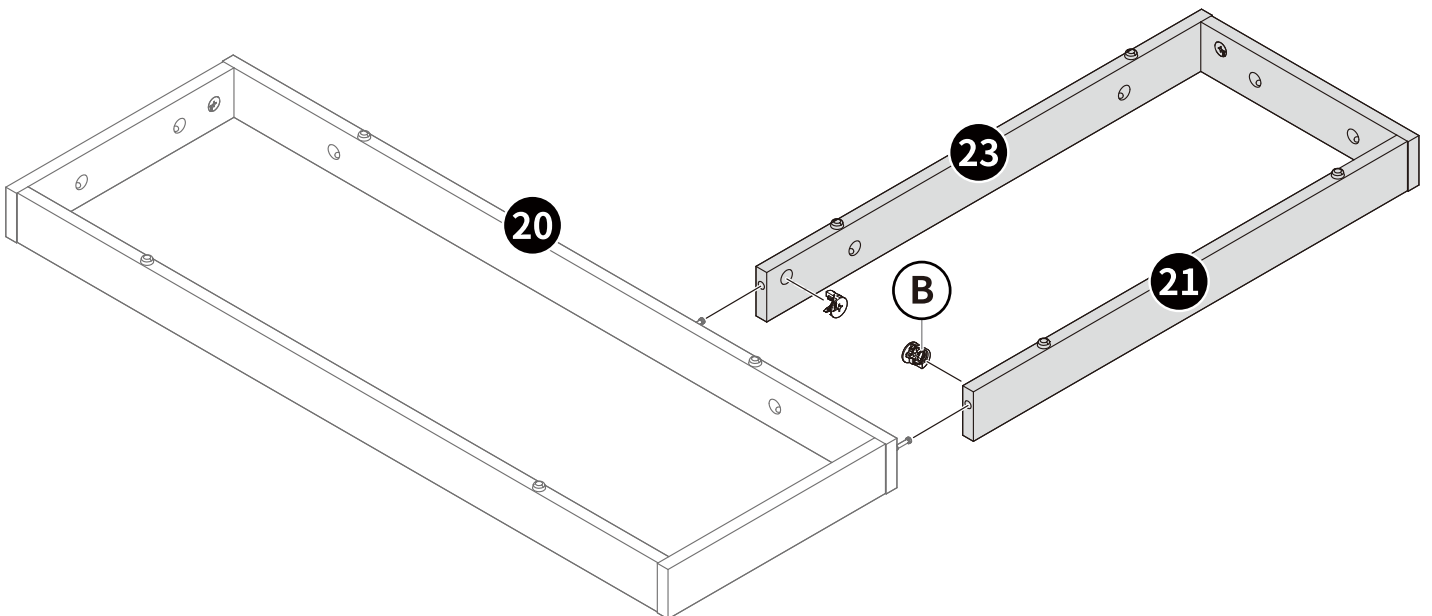
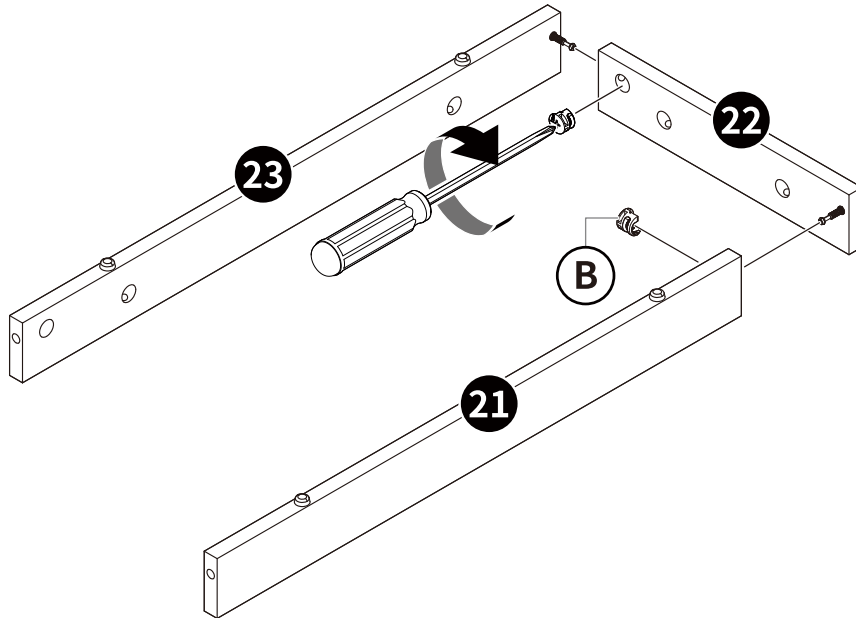
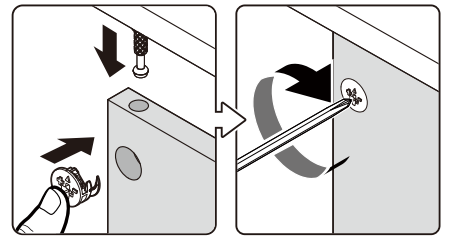
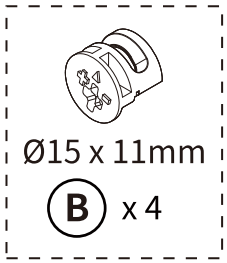


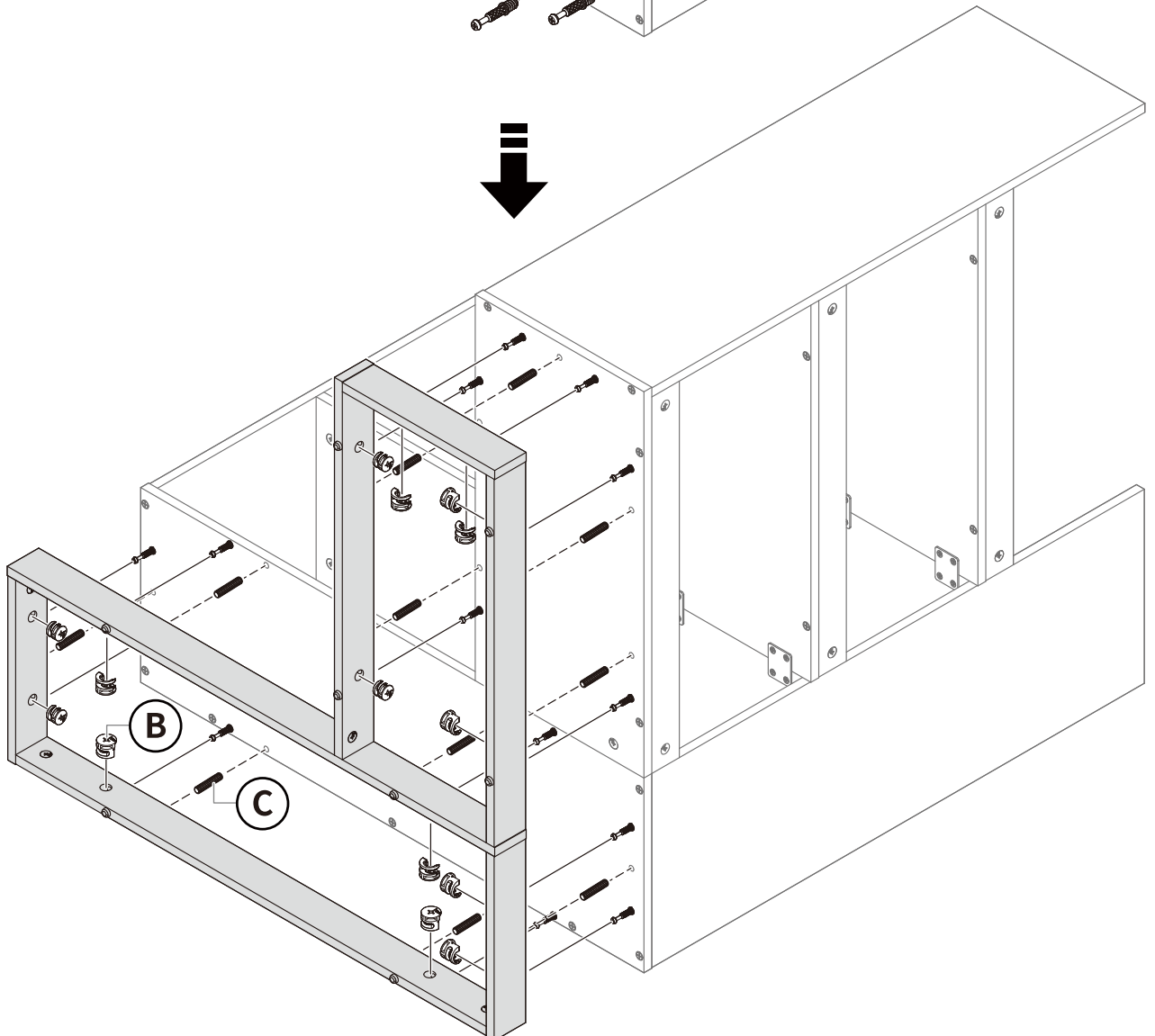
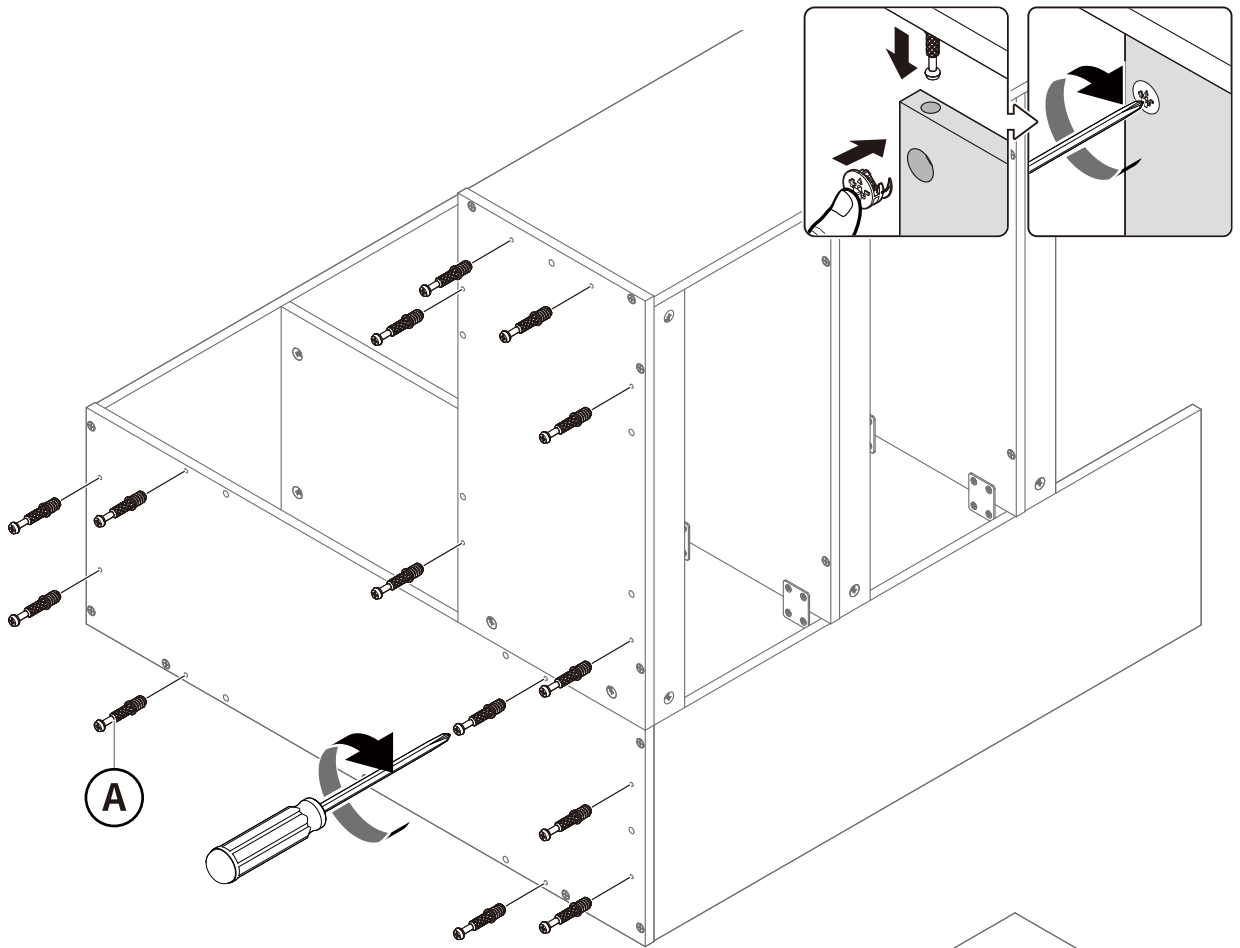
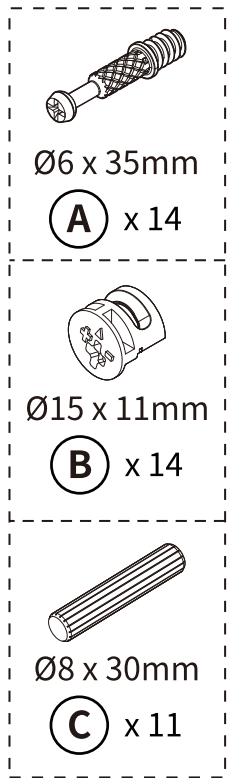
-   
Ø6 x 35mm  
**(A)** x 2
-   
Ø15 x 11mm  
**(B)** x 9
-   
Ø8 x 30mm  
**(C)** x 6



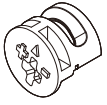






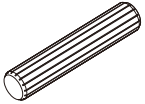


# 3



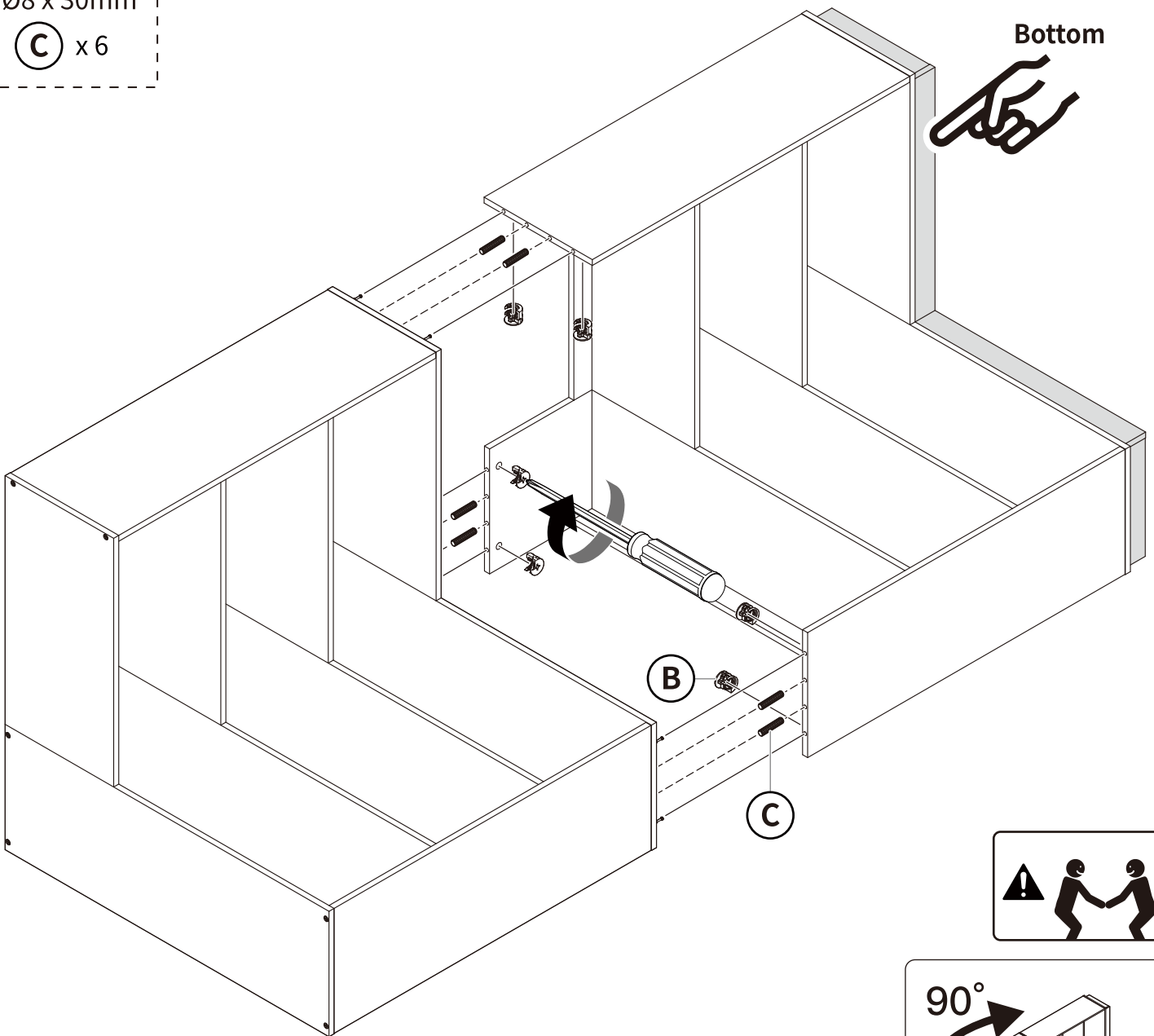
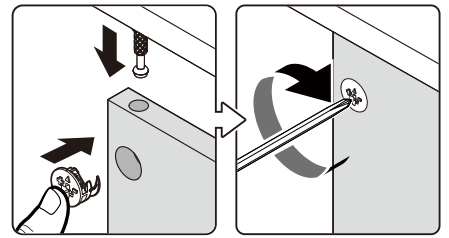
Ø15 x 11mm

**(B)** x 6

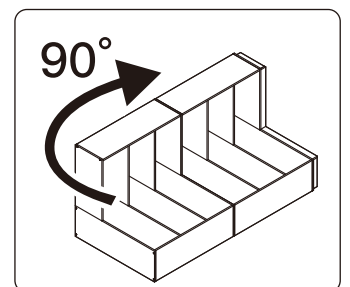


Ø8 x 30mm

**(C)** x 6



Bottom



# 4

## Installation Instructions:

1. Secure the anti-tip brackets to the top of the unit using short screws.
2. Determine where the unit is to be placed. If you have a wood stud wall, locate a stud using a stud finder and mark the centerline.
3. Drill pilot holes in the wall at the appropriate height.
4. Secure the anti-tip brackets to the wall using long screws. Use wall anchors for solid concrete. Do not use them on wood studs.

