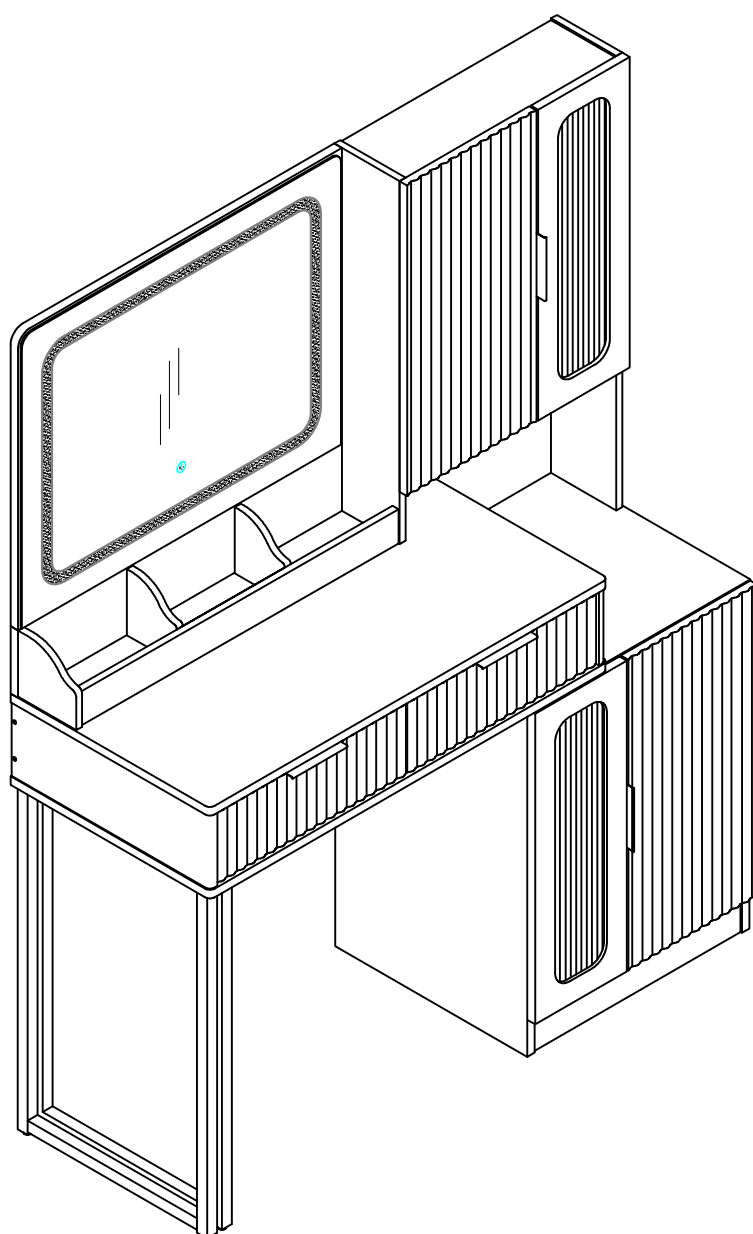


Assembly Instructions

Table-3



MADE IN CHINA

General Guidelines

- Please read the following instruction carefully and use the product accordingly.
- Please keep this manual and hand it over when you transfer the product.
- This summary may not include every detail of all variations and considered steps. Please contact us when further information and help are needed.

Notes

- This item is only intended to be used indoors. Personal injury and/or damage to product may occur if products are used outside of their intended purposes and/or if products have been changed/modified from their original design. The product must be assembled and used in accordance with the provisions of the manual. These do not assume any responsibility or liability with respect to any damage caused by incorrect assembly or improper use.
- It is recommended that assembly is undertaken by at least 2 adults. Please read assembly instructions before assembly and strictly adhere to each step outlined.
- If there is/are defective and/or missing part/s after unpacking, please cease assembly immediately and get in contact with us.
- Please assemble the item in a spacious room and do not place the unwrapped product directly on the ground to avoid damage. It is recommended to wear gloves during the assembly to avoid scratches from any sharp edges.
- Please do not stand, sit or place heavy items on the wooden boards or other parts before assembly to avoid cracks or distortion of the wooden board. Cracks or distortion will affect the assembly and normal use.
- Please match the corresponding board and fitting based on the part number in the manual. If the board does not match with the fitting, please check the pieces as specified in this manual.
- Please refer to the diagram during assembly. Align all screws with the related pre-drilled holes first and later tighten the screws one by one only after putting all the parts in their correct places.
- Please note that each type of screw has a spare screw.
- Periodically inspect screw tightness while the product is in use. If necessary, retighten to ensure structural integrity.
- Do not expose product to direct sunlight or rain; and do not put it in a humid place. Failure to do so may accelerate the distortion, discoloration or cause fissures.
Never touch with sharp objects or corrosive chemicals, which may damage the surface of the item.
- For daily care, please clean with a damp cloth, then immediately wipe dry.

Helpful Hints

PEOPLE NEEDED FOR ASSEMBLY: 1-2

- Open your item in the area you plan to keep it to avoid excessive heavy lifting.



- Identify, sort and count the parts before attempting assembly.

- Compression dowels are lightly tapped in with a hammer.



- Slides are labeled with an R (right) and L (left) for proper placement.



- Make sure to always face the point on the top of the Cam Lock towards the outer edge.

- If there is a back panel in the package, please install it to make sure your unit is complete and sturdy.



-Please fix all the screws provided for the back panel which can enhance product stability. If it is difficult to fix it when tightening, it can be fixed with the help of a hammer and then tightened.

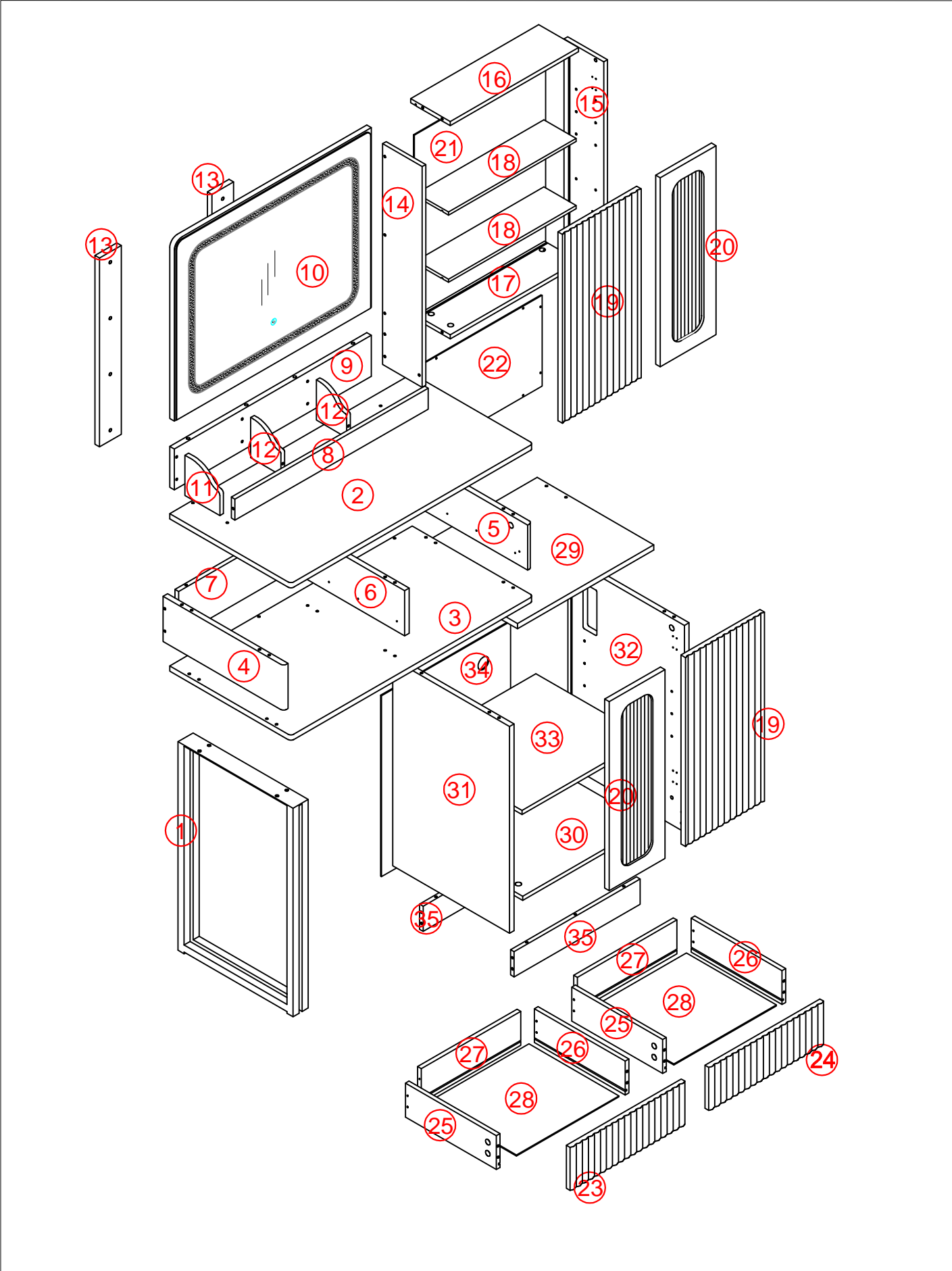


- Do NOT use harsh chemicals or abrasive cleaners on this item.

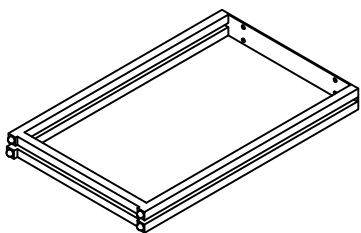


- Never push, pull, or drag your furniture.

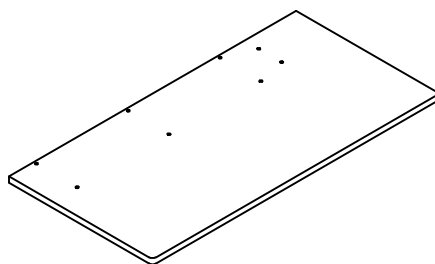
EXPLODED



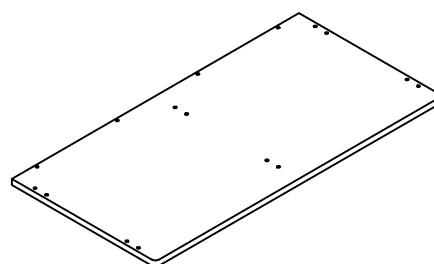
LISTA DE EQUIPOS



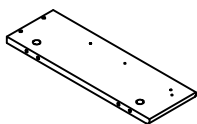
① x1PC



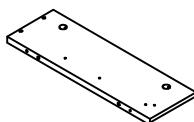
② x1PC



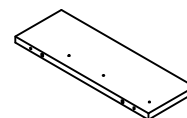
③ x1PC



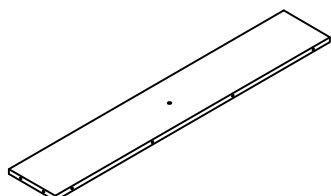
④ x1PC



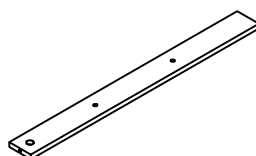
⑤ x1PC



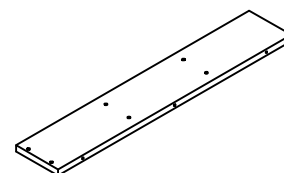
⑥ x1PC



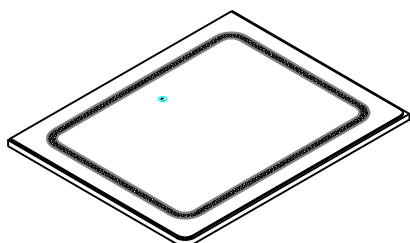
⑦ x1PC



⑧ x1PC



⑨ x1PC



⑩ x1PC

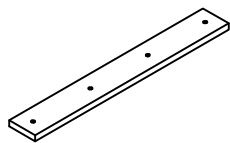


⑪ x1PC

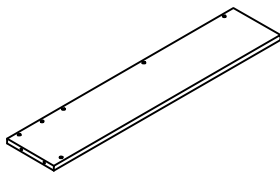


⑫ x2PCS

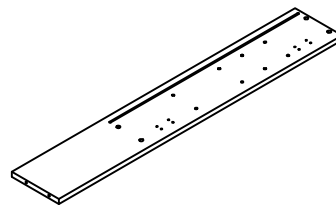
LISTA DE EQUIPOS



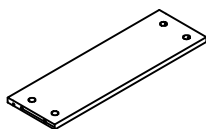
⑬ x2PCS



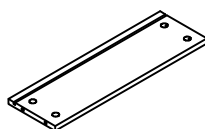
⑭ x1PC



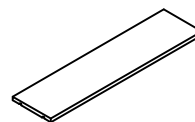
⑮ x1PC



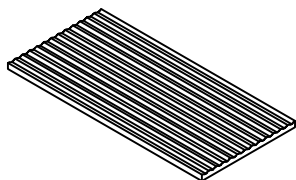
⑯ x1PC



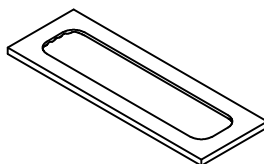
⑰ x1PC



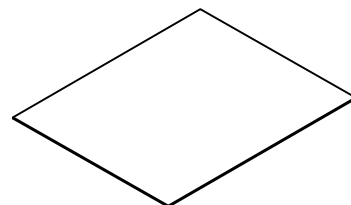
⑱ x2PCS



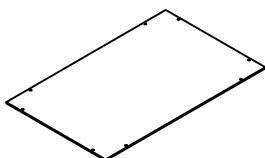
⑲ x2PCS



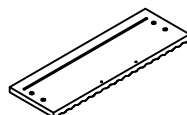
⑳ x2PCS



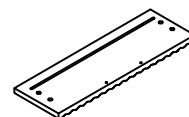
㉑ x1PC



㉒ x1PC

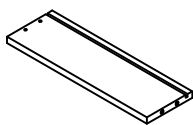


㉓ x1PC

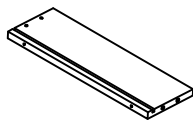


㉔ x1PC

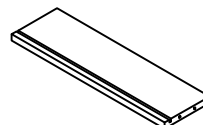
LISTA DE EQUIPOS



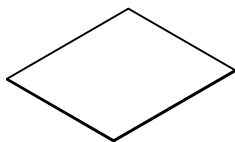
②⑤ x2PCS



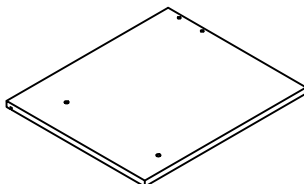
②⑥ x2PCS



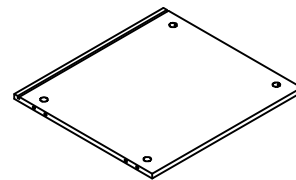
②⑦ x2PCS



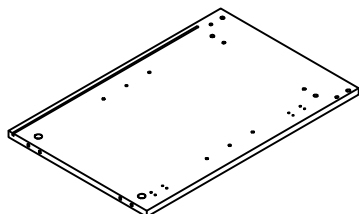
②⑧ x2PCS



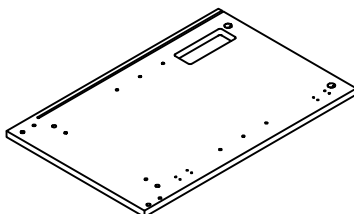
②⑨ x1PC



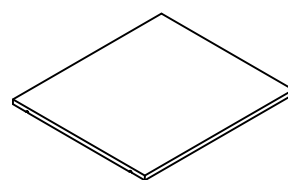
③⑩ x1PC



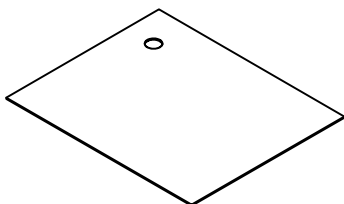
③① x1PC



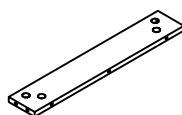
③② x1PC



③③ x1PC

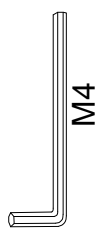


③④ x1PC



③⑤ x2PCS

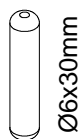
HOJA PARTE



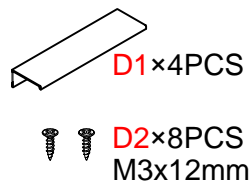
A×1PC



B×37PCS



C×30PCS



D



E×8PCS



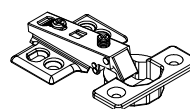
F1×41PCS



F2×41PCS



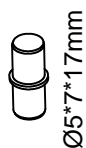
G×30PCS



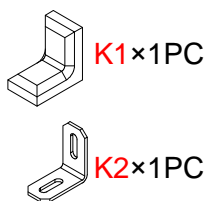
H×8PCS



I×48PCS



J×12PCS



K



L1×1PC



L2×1PC



L3×1PC
M4x25mm



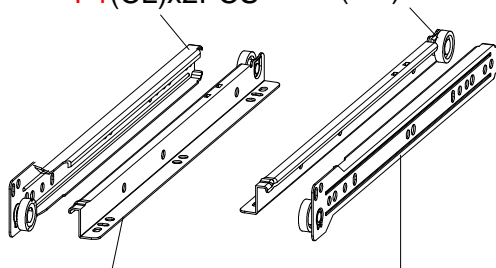
M×4PCS



N×10PCS

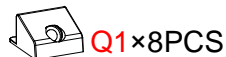


O×4PCS

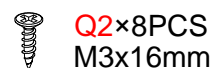


P2(DL)×2PCS

P1(CR)×2PCS

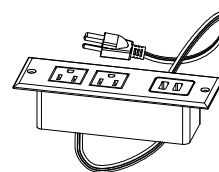


Q1×8PCS

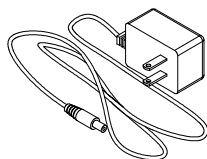


Q2×8PCS
M3x16mm

Q



R×1PC



S×1PC

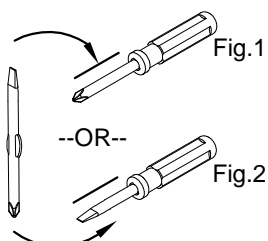
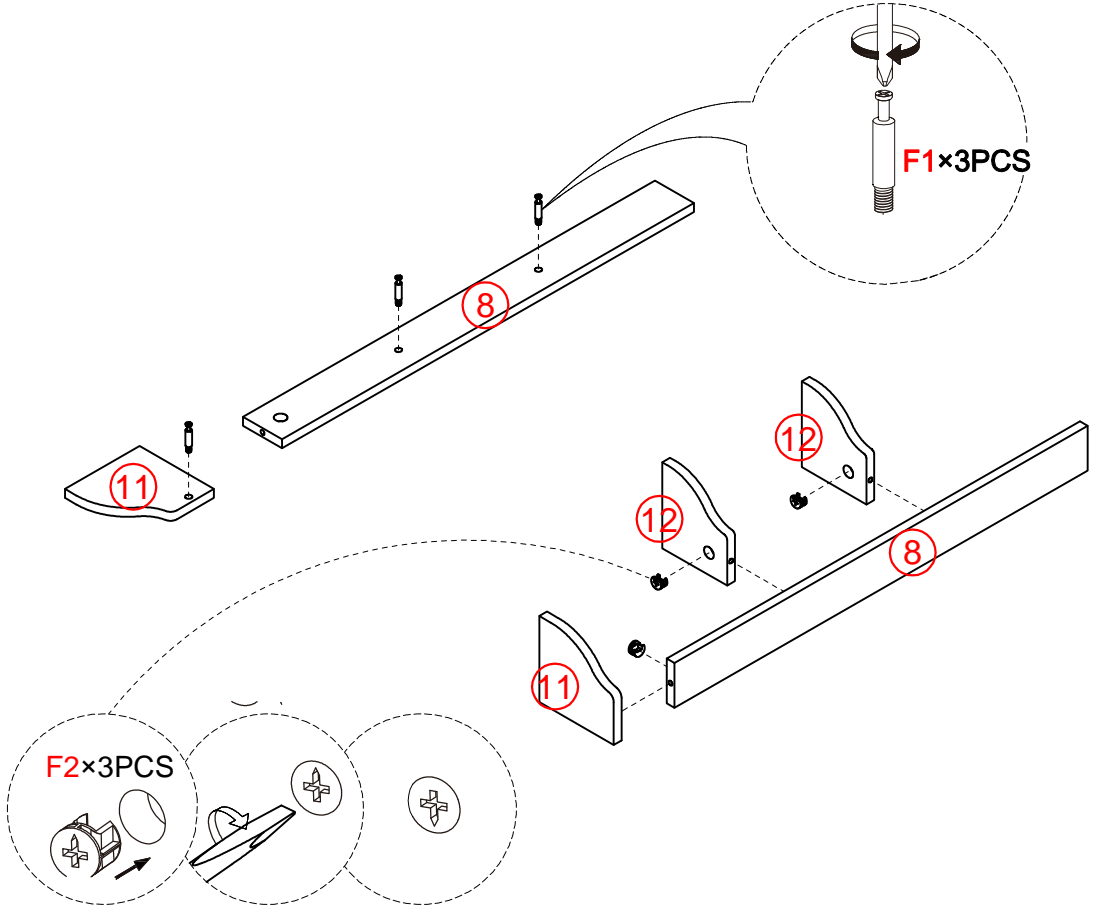
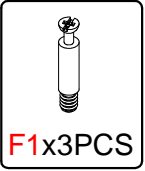


Fig.1

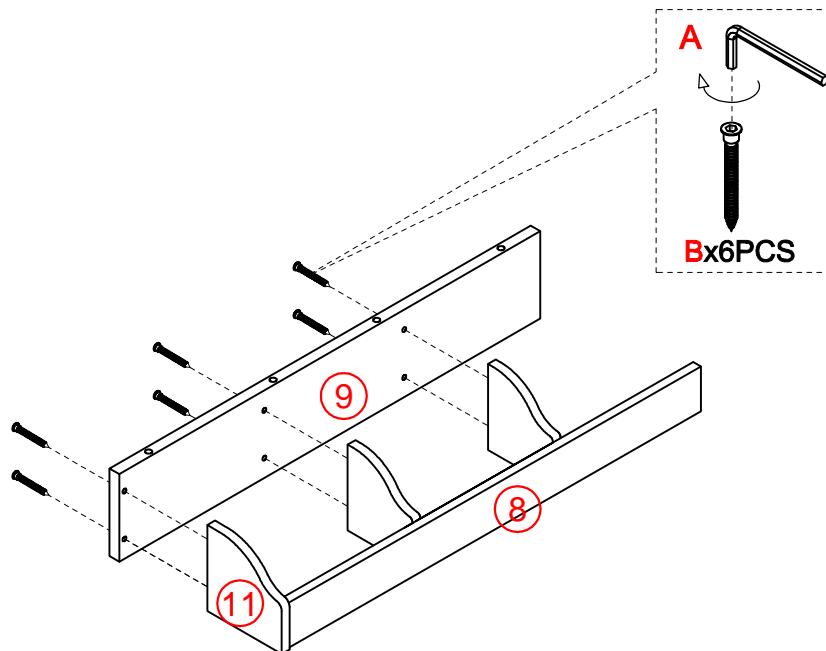
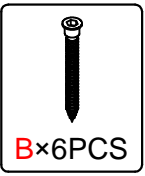
--OR--

Fig.2

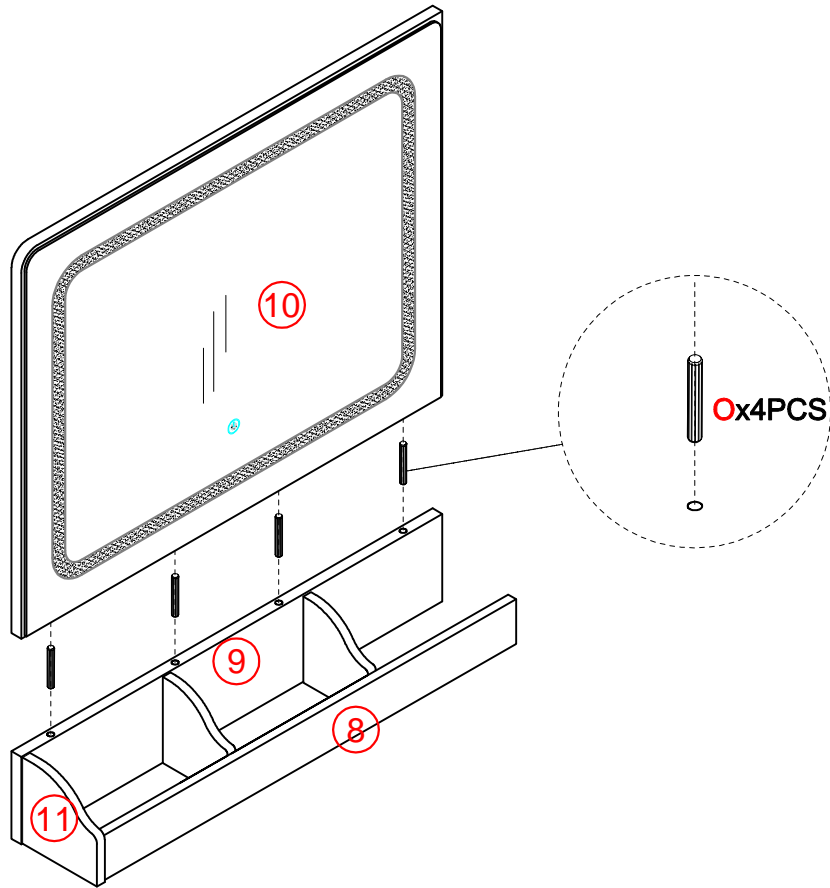
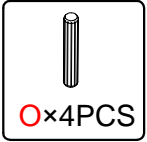
STEP 1



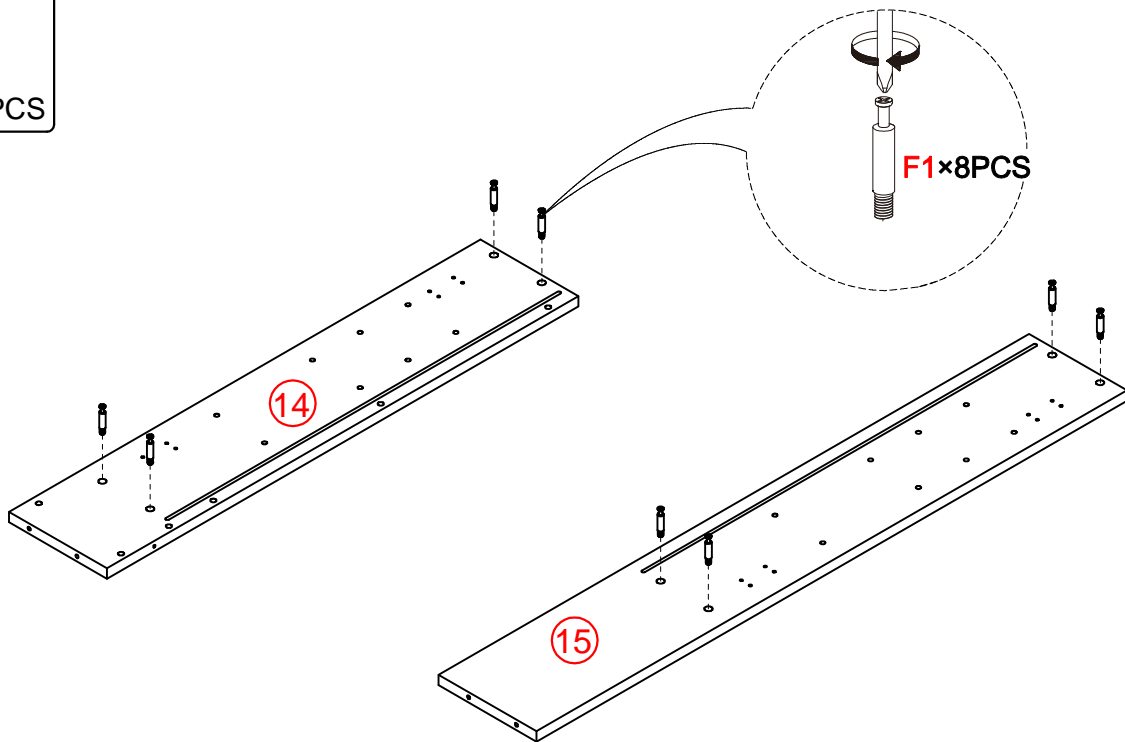
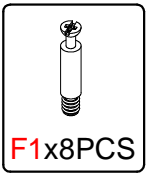
STEP 2



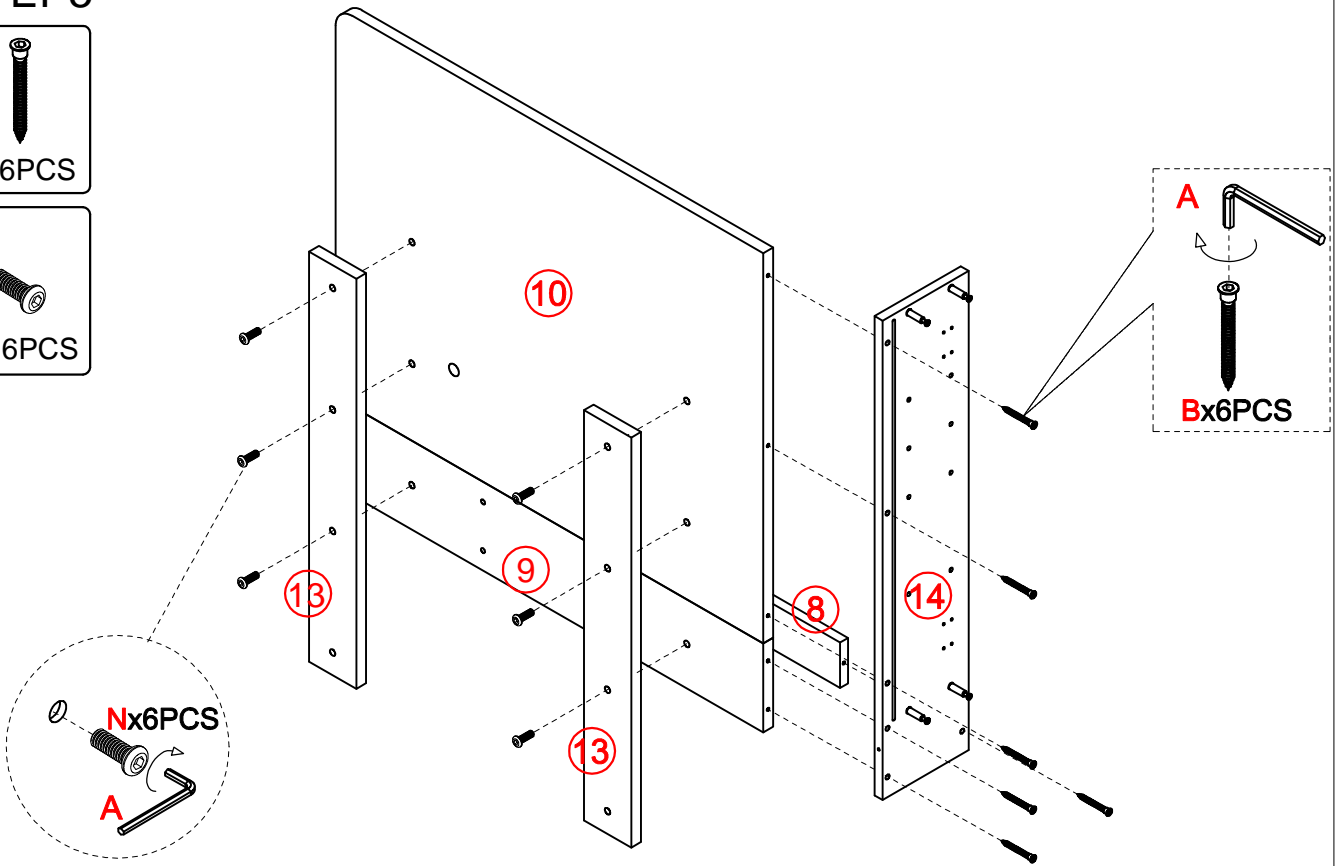
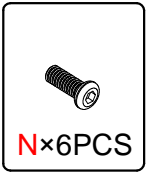
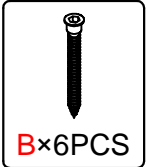
STEP3



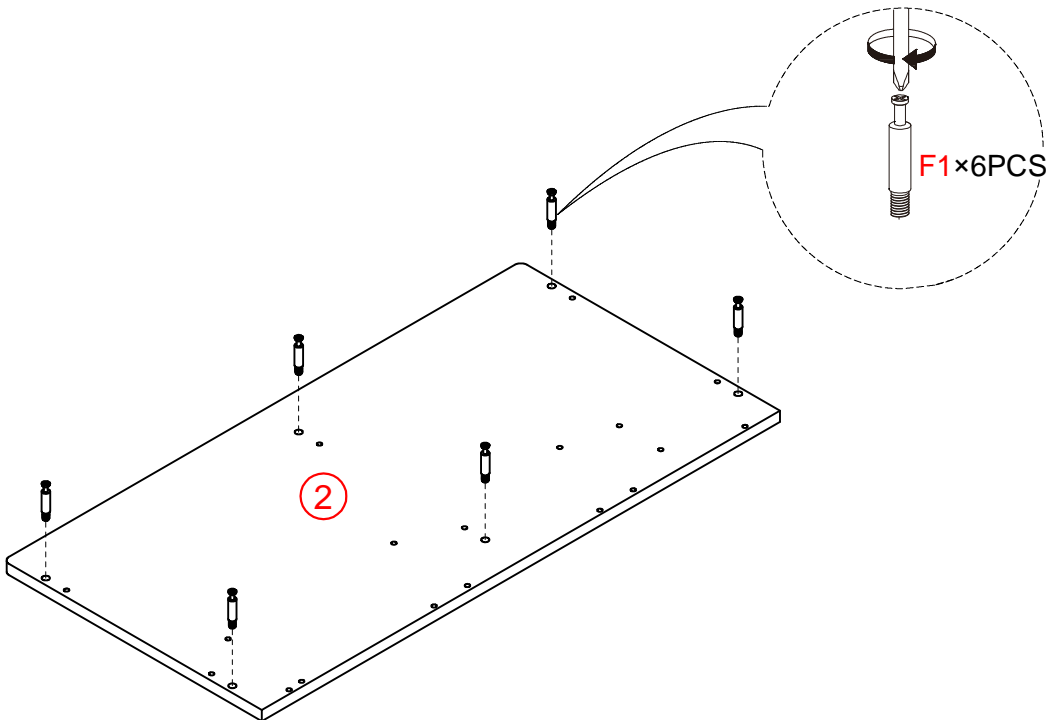
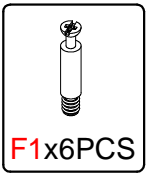
STEP4



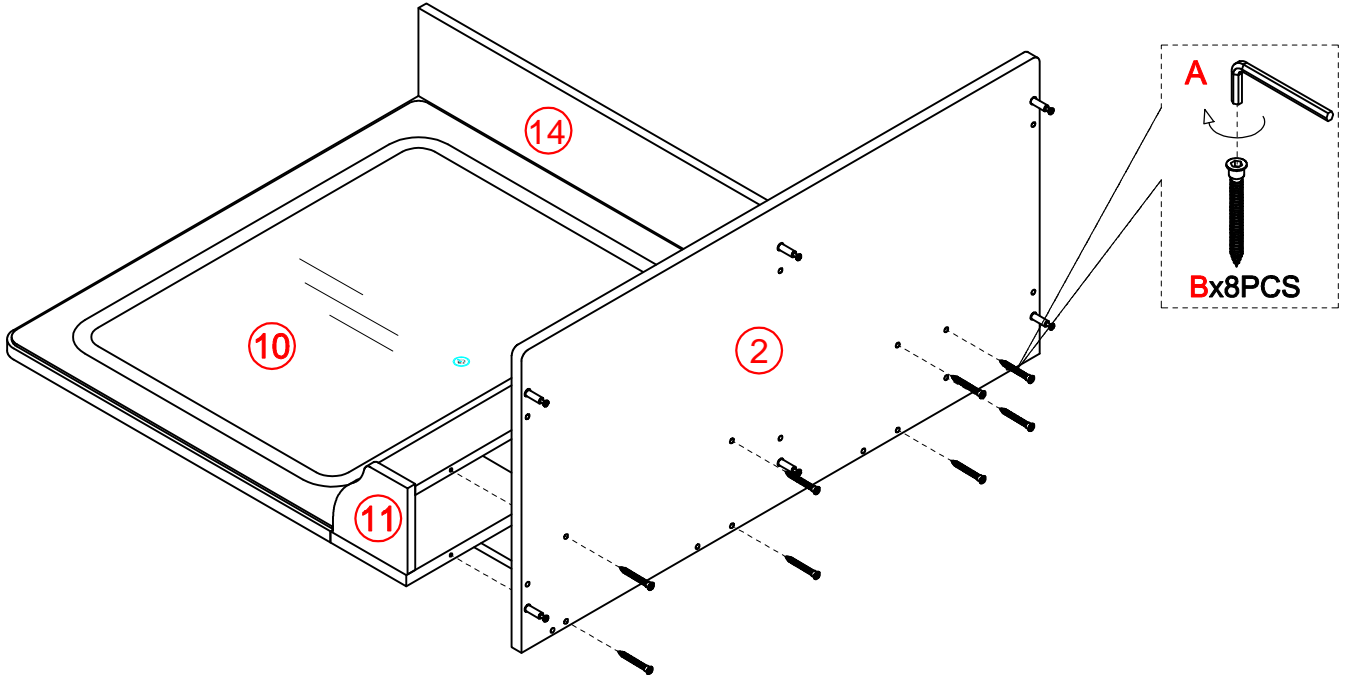
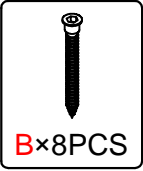
STEP5



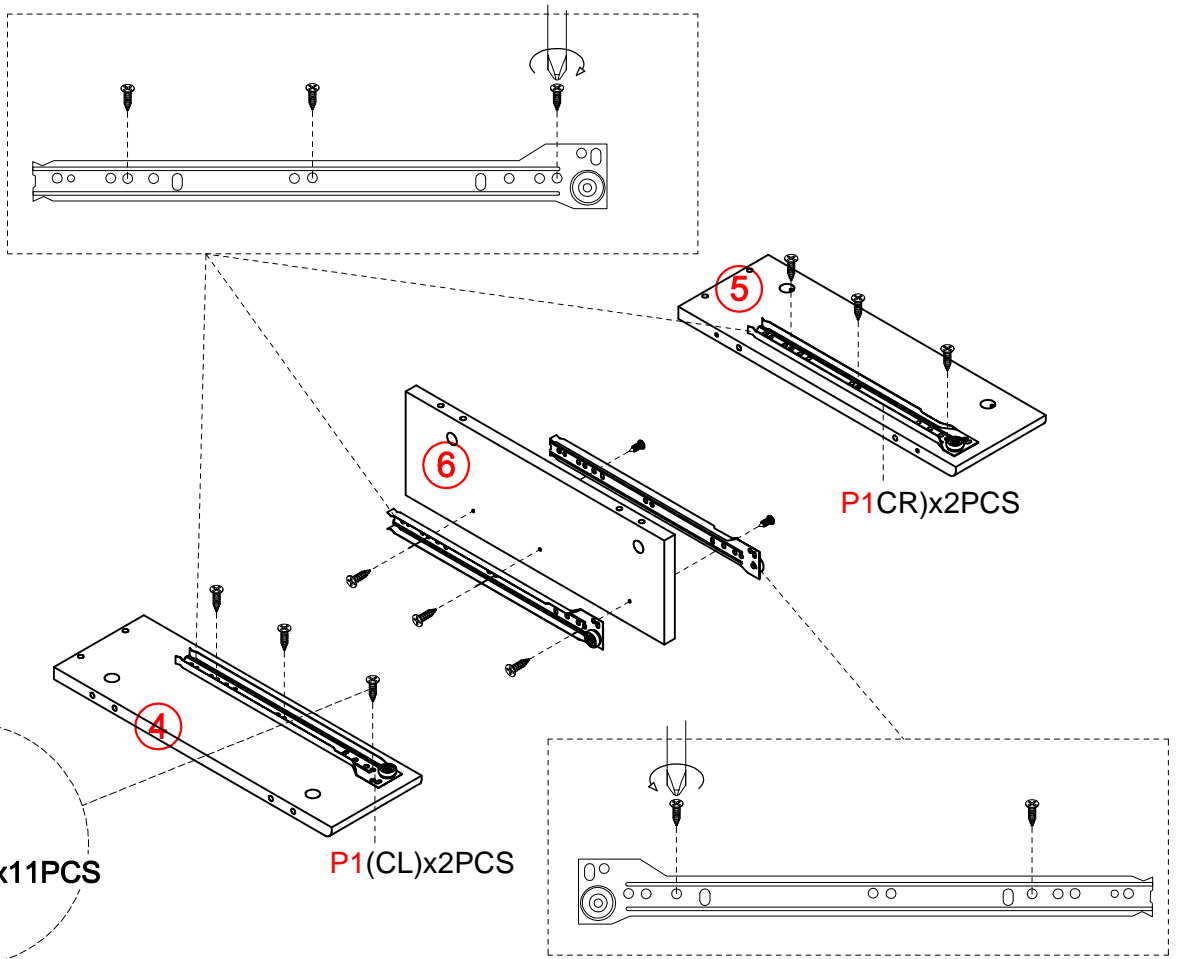
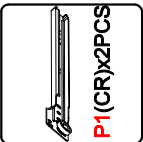
STEP6



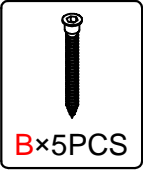
STEP 7



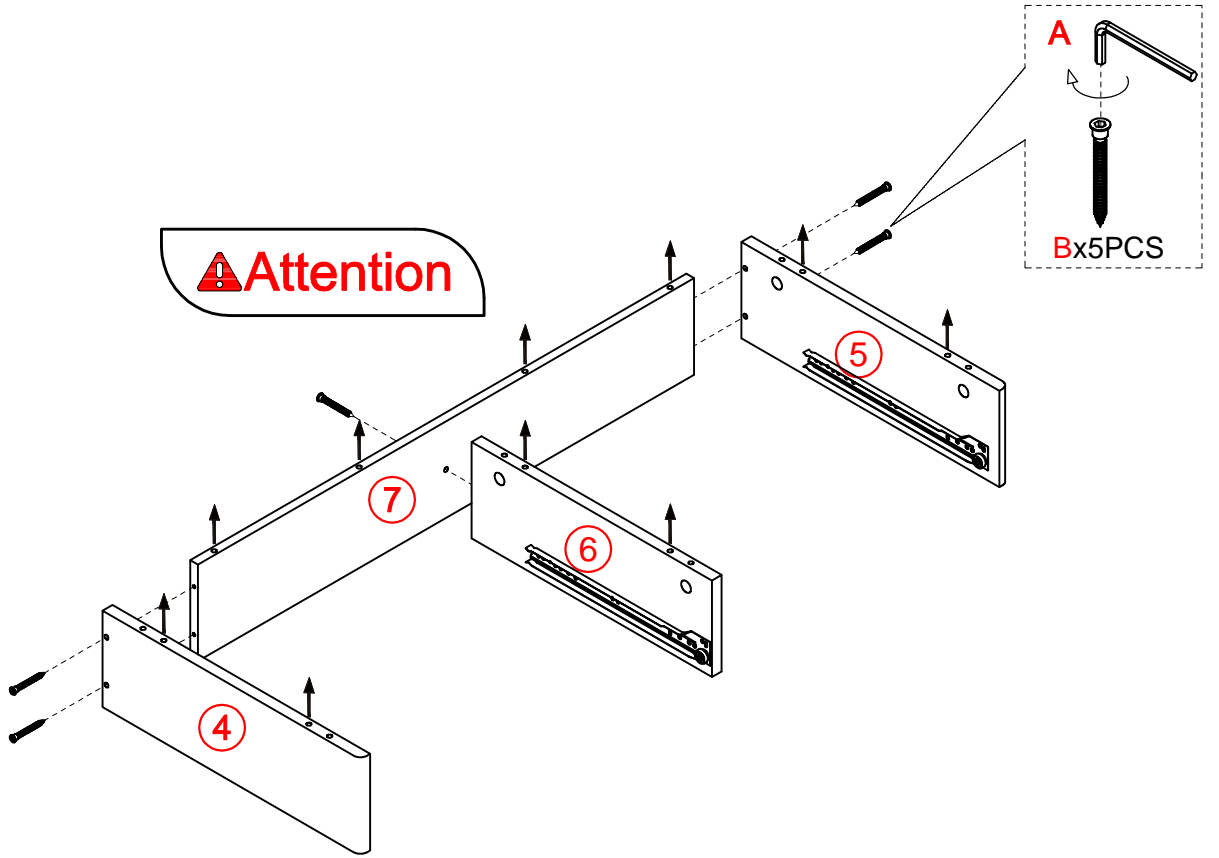
STEP 8



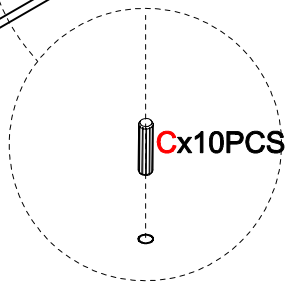
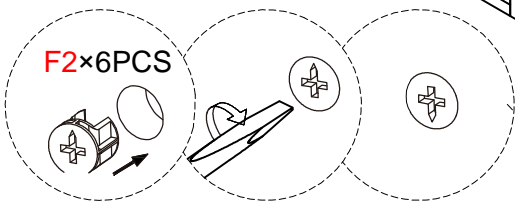
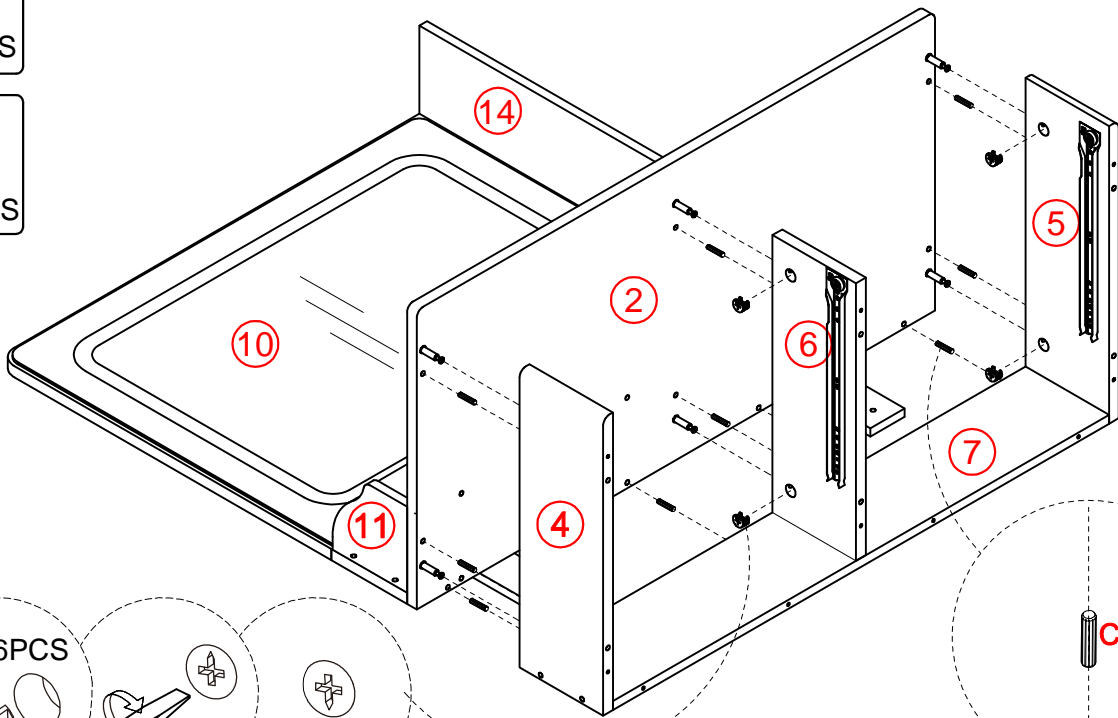
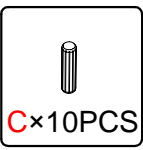
STEP9



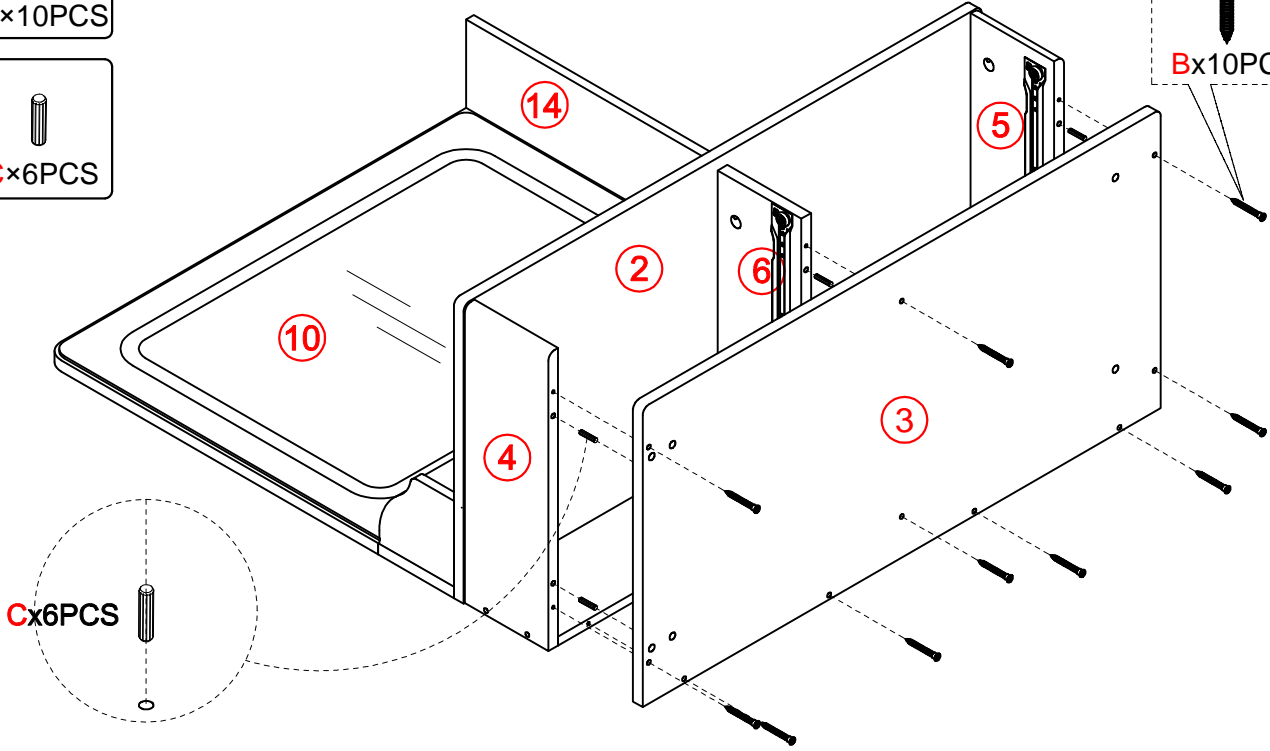
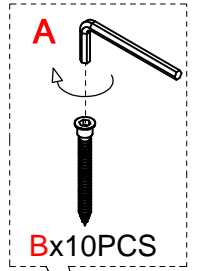
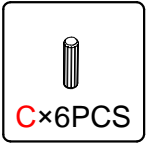
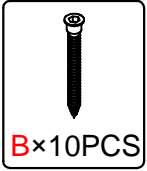
Attention



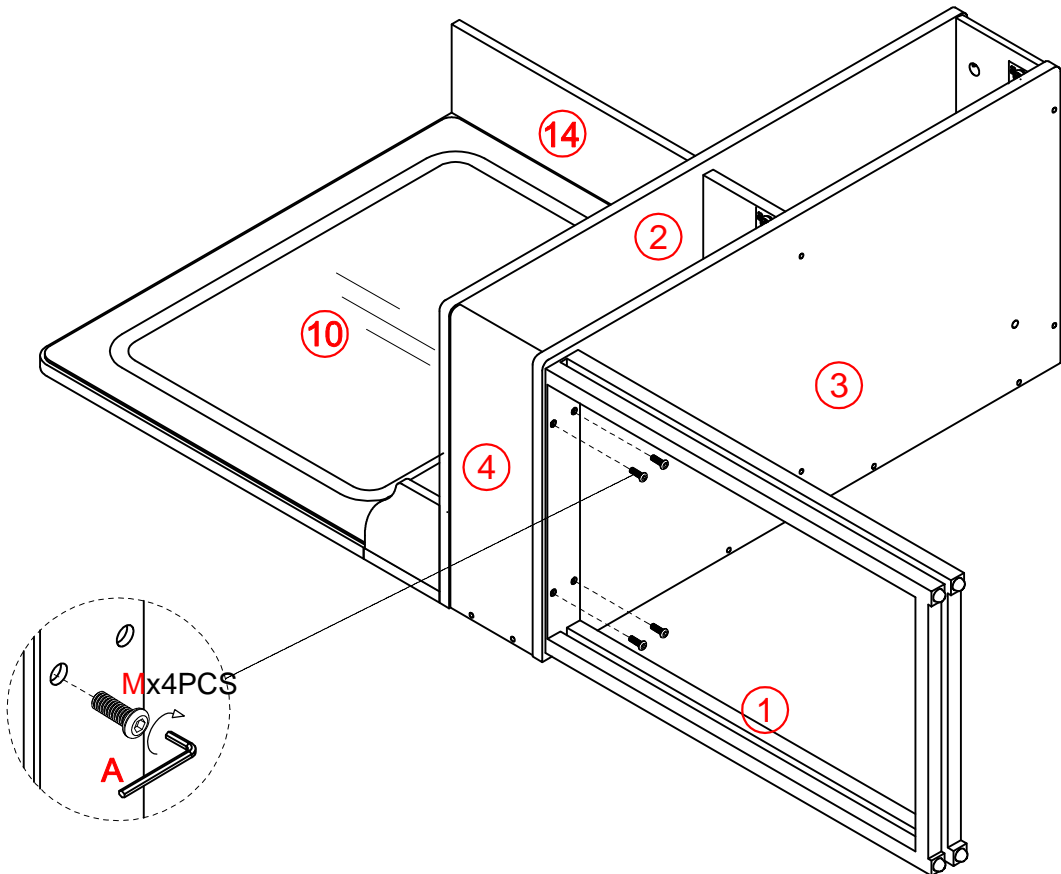
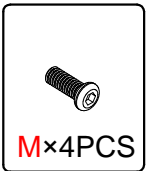
STEP10



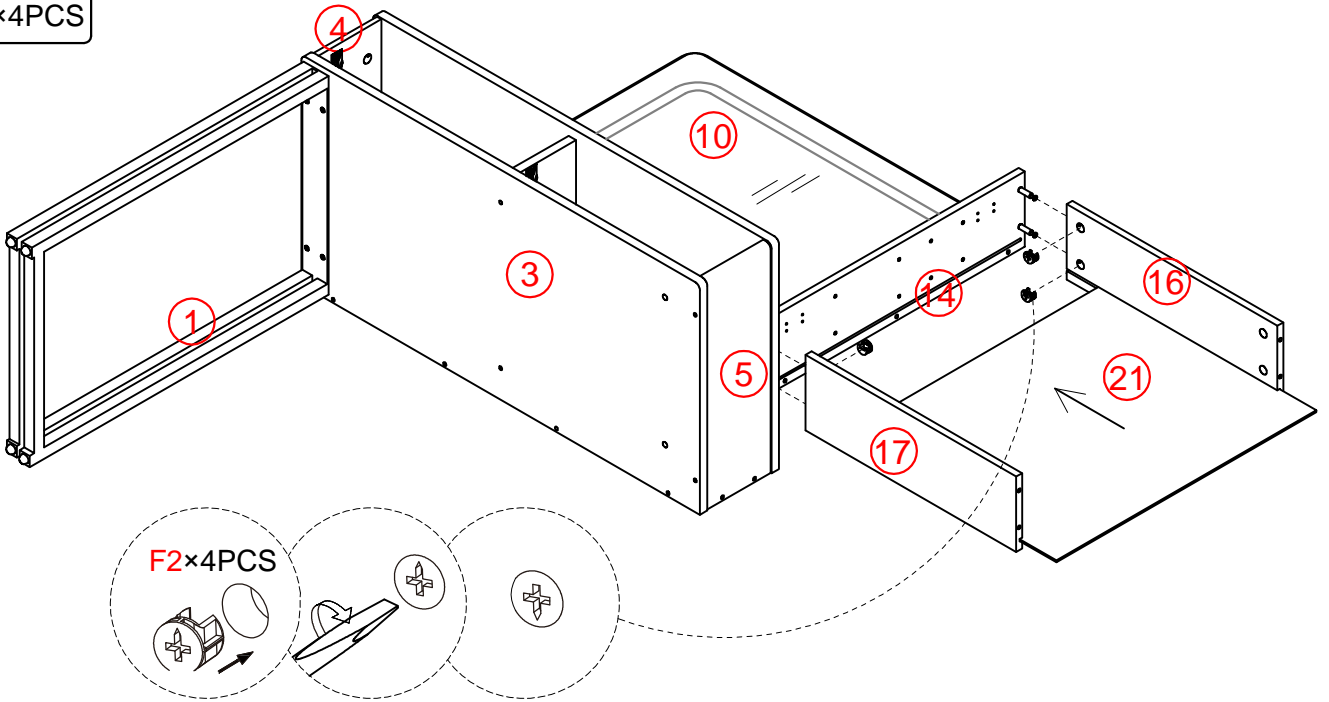
STEP11



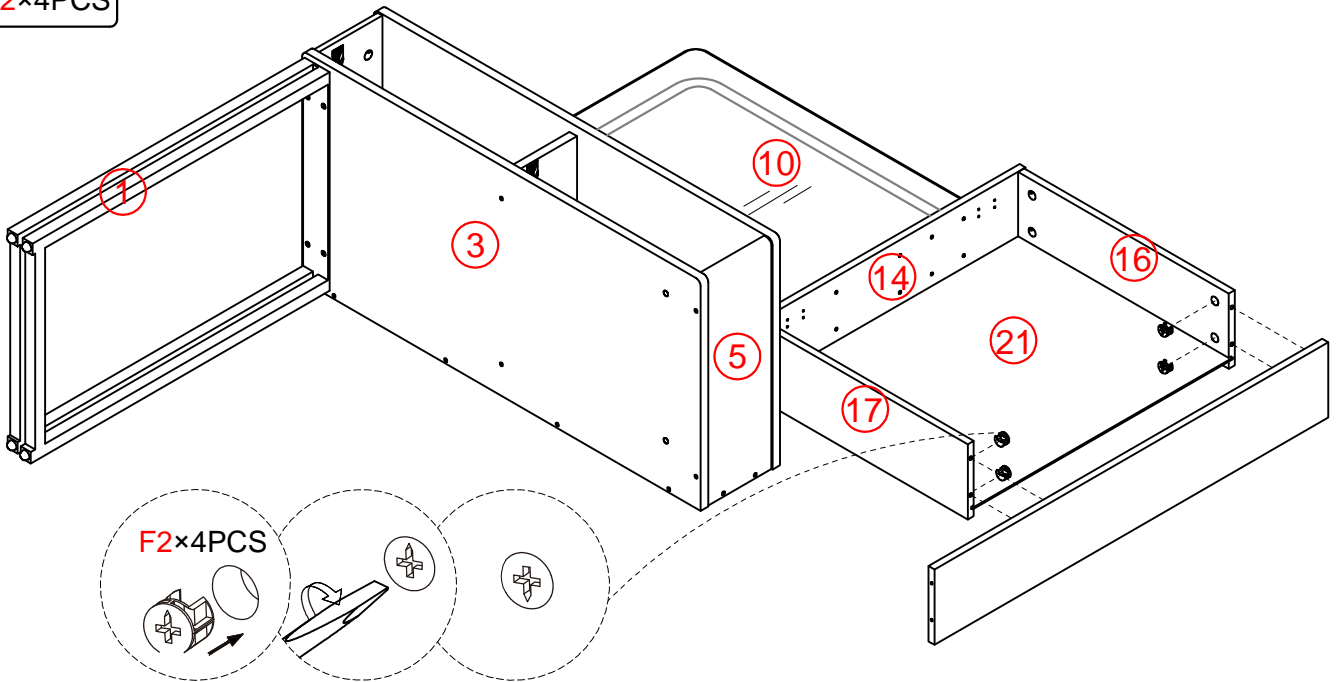
STEP12



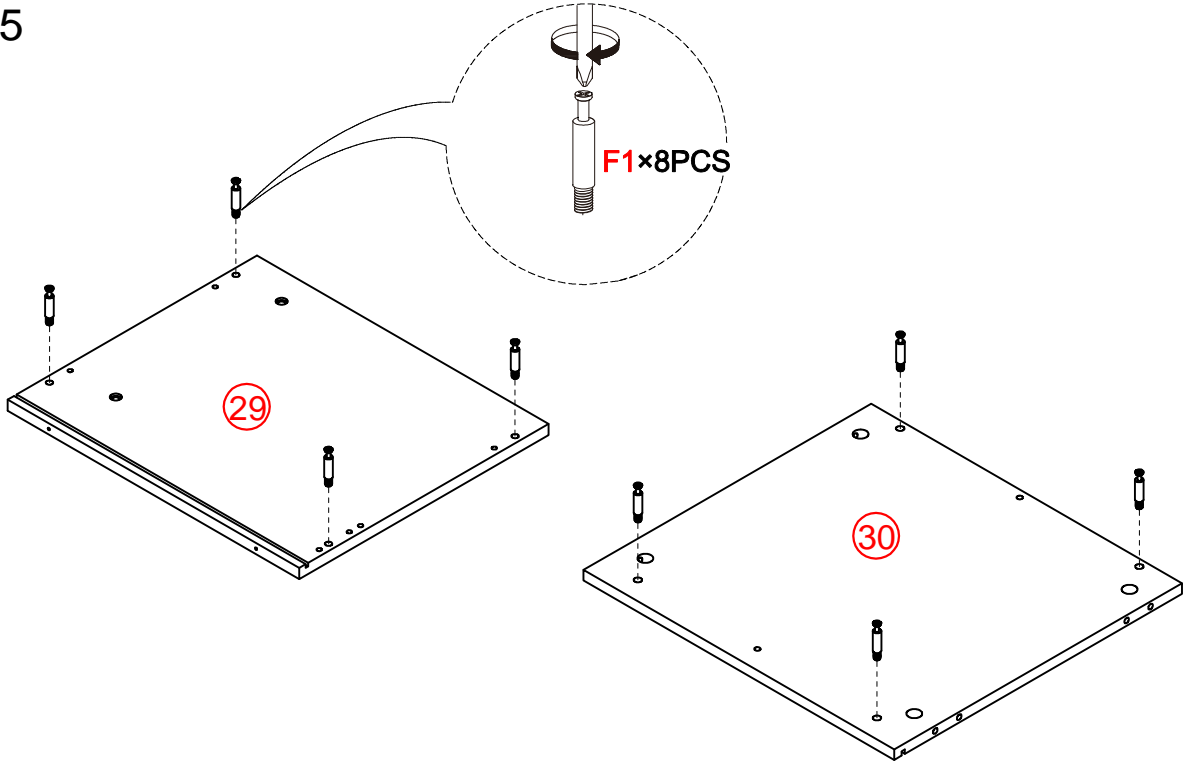
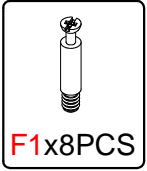
STEP13



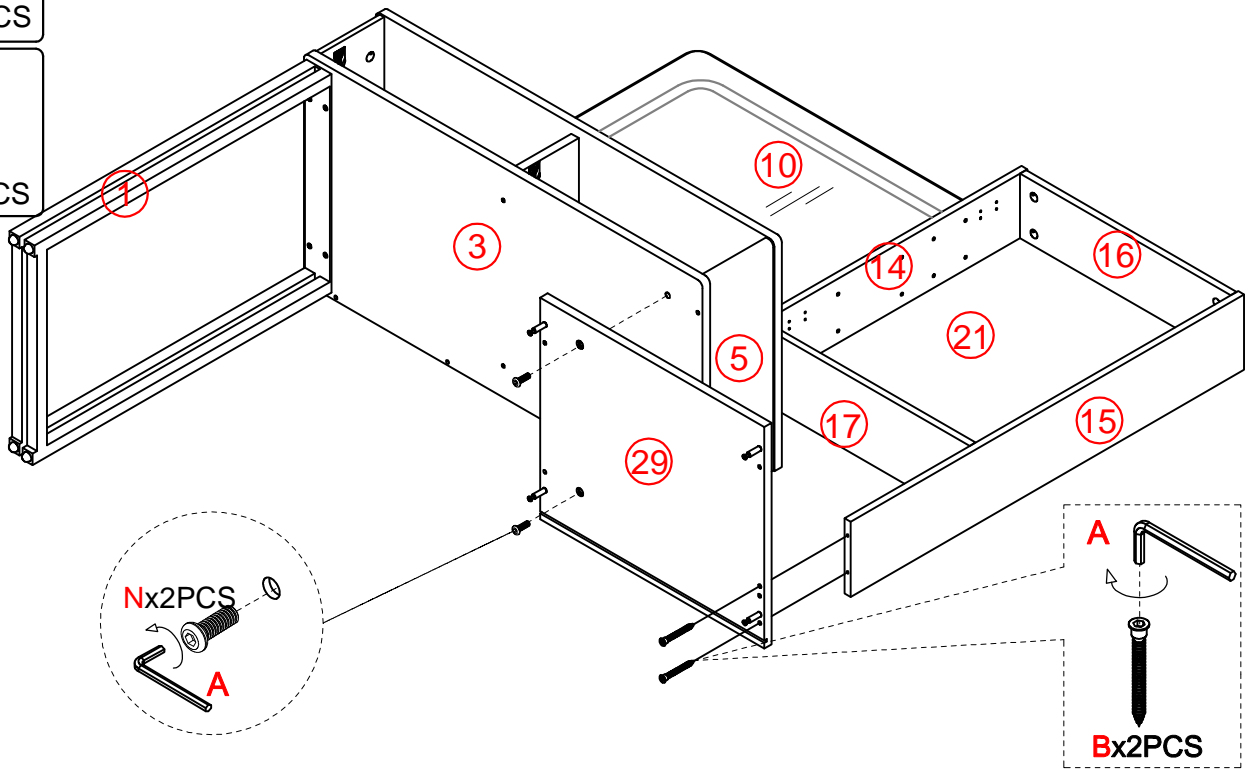
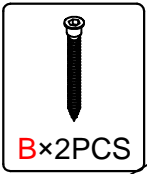
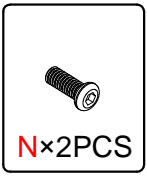
STEP14



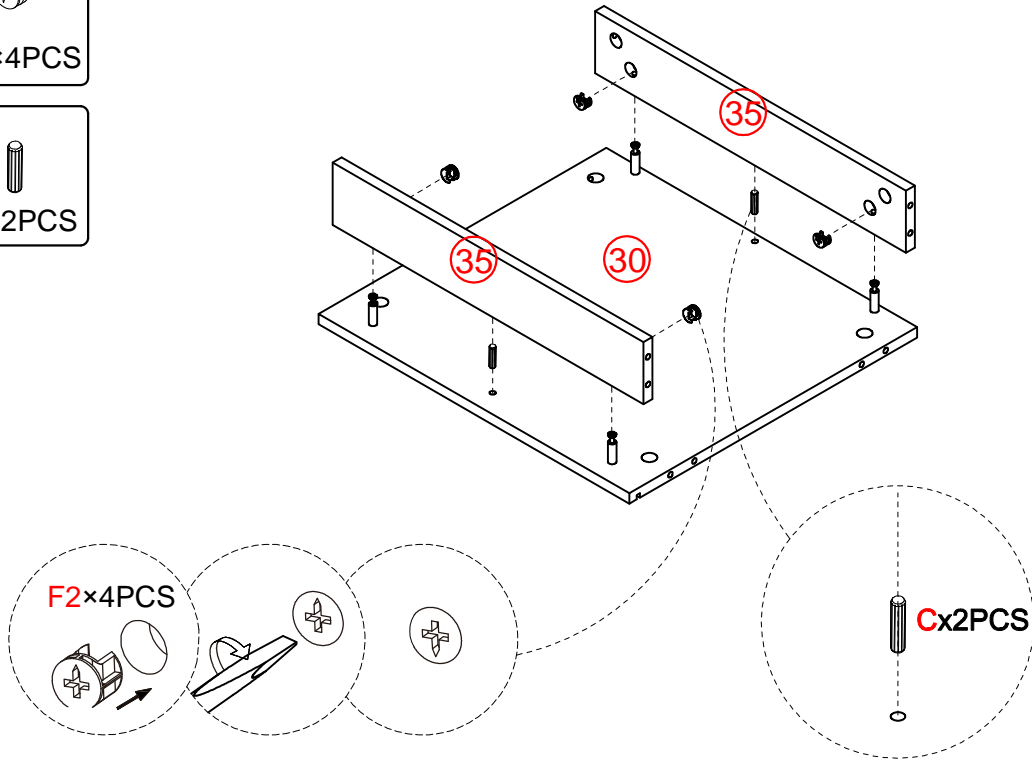
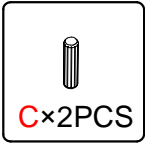
STEP15



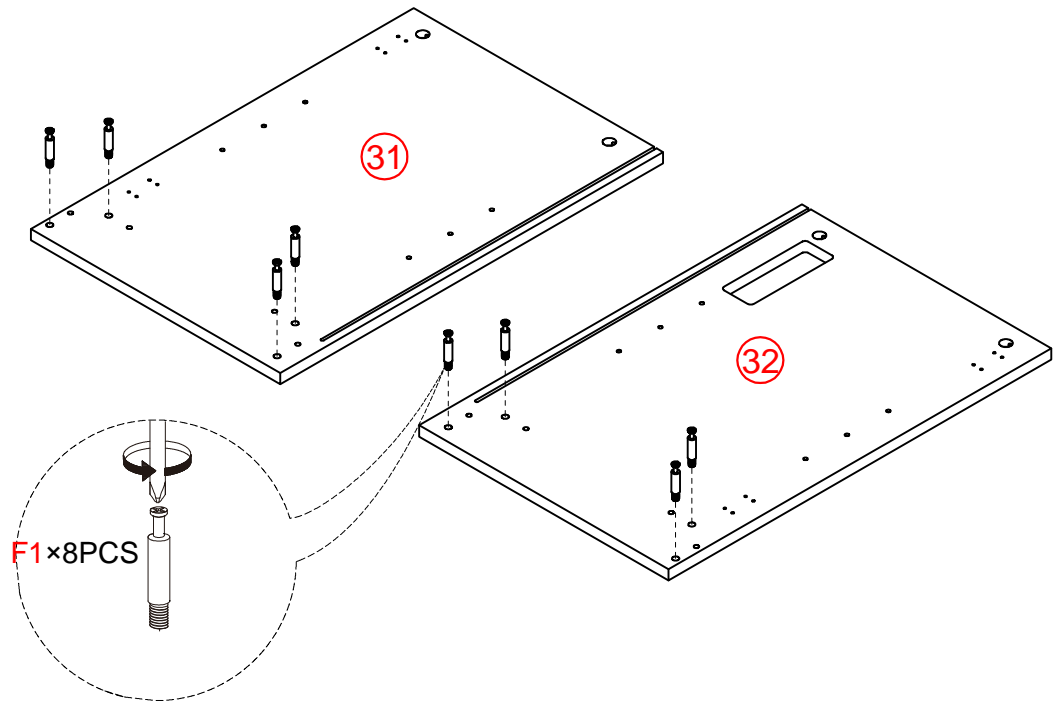
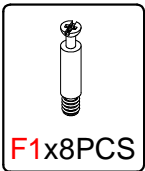
STEP16



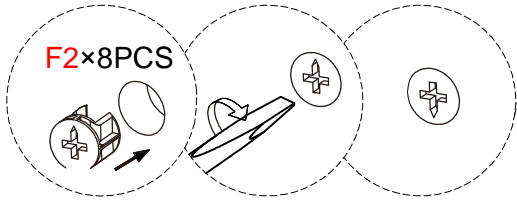
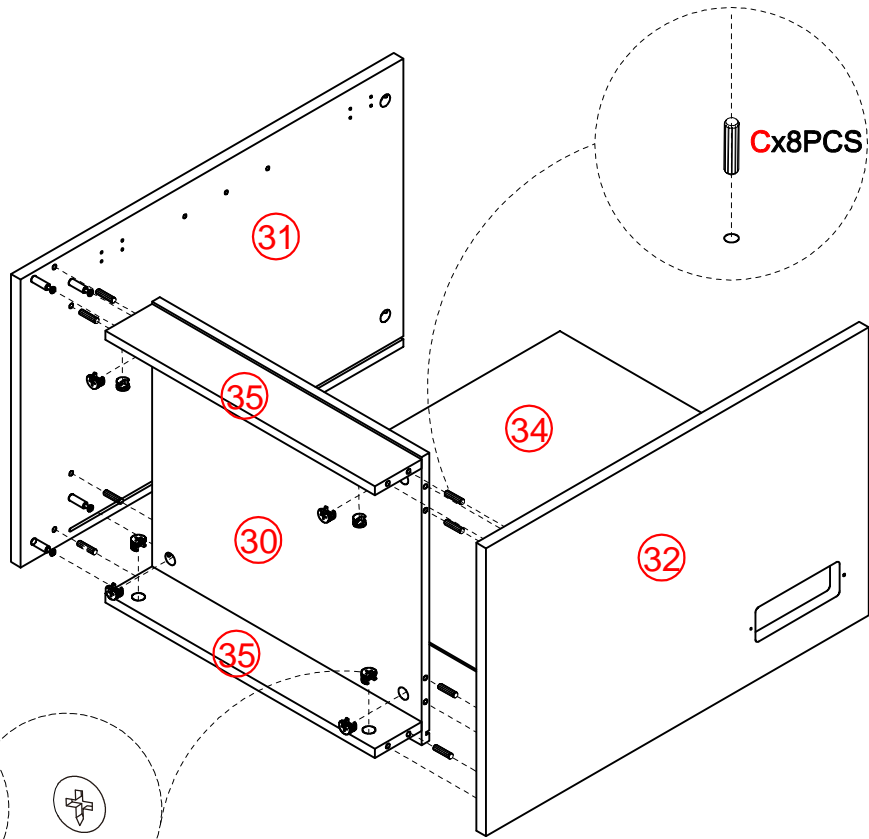
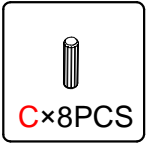
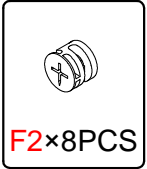
STEP17



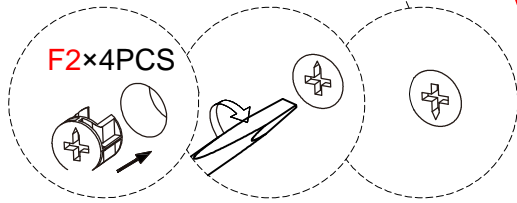
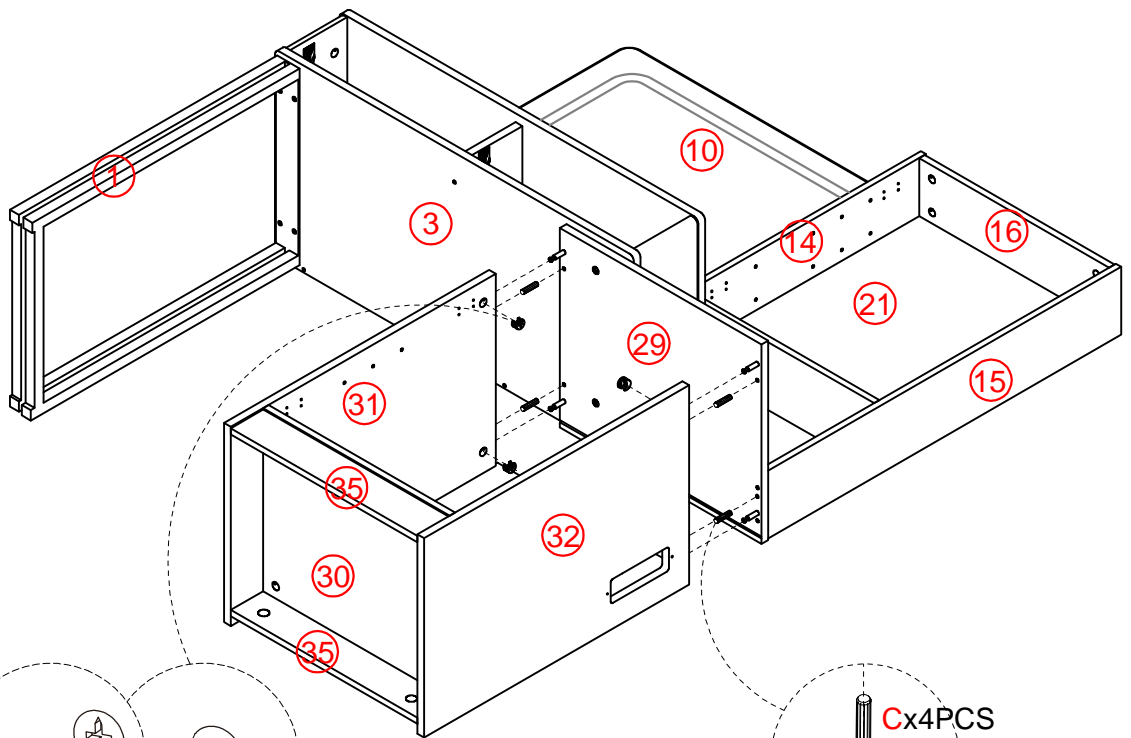
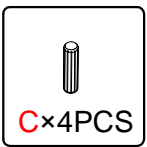
STEP18



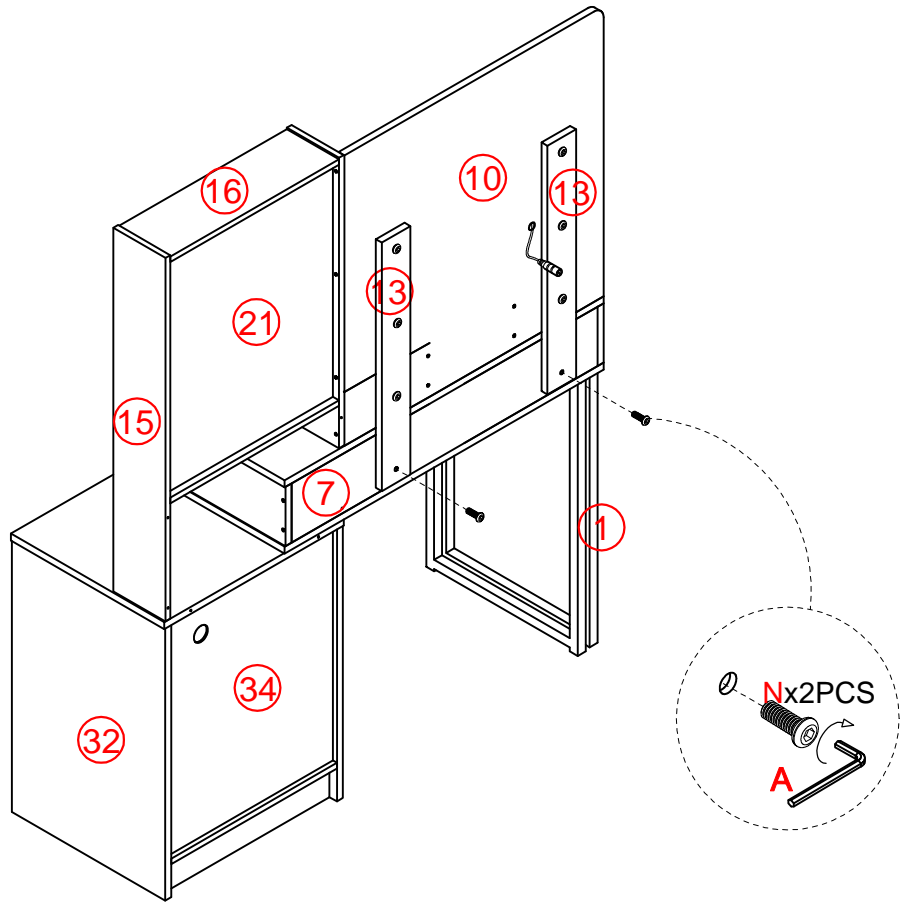
STEP19



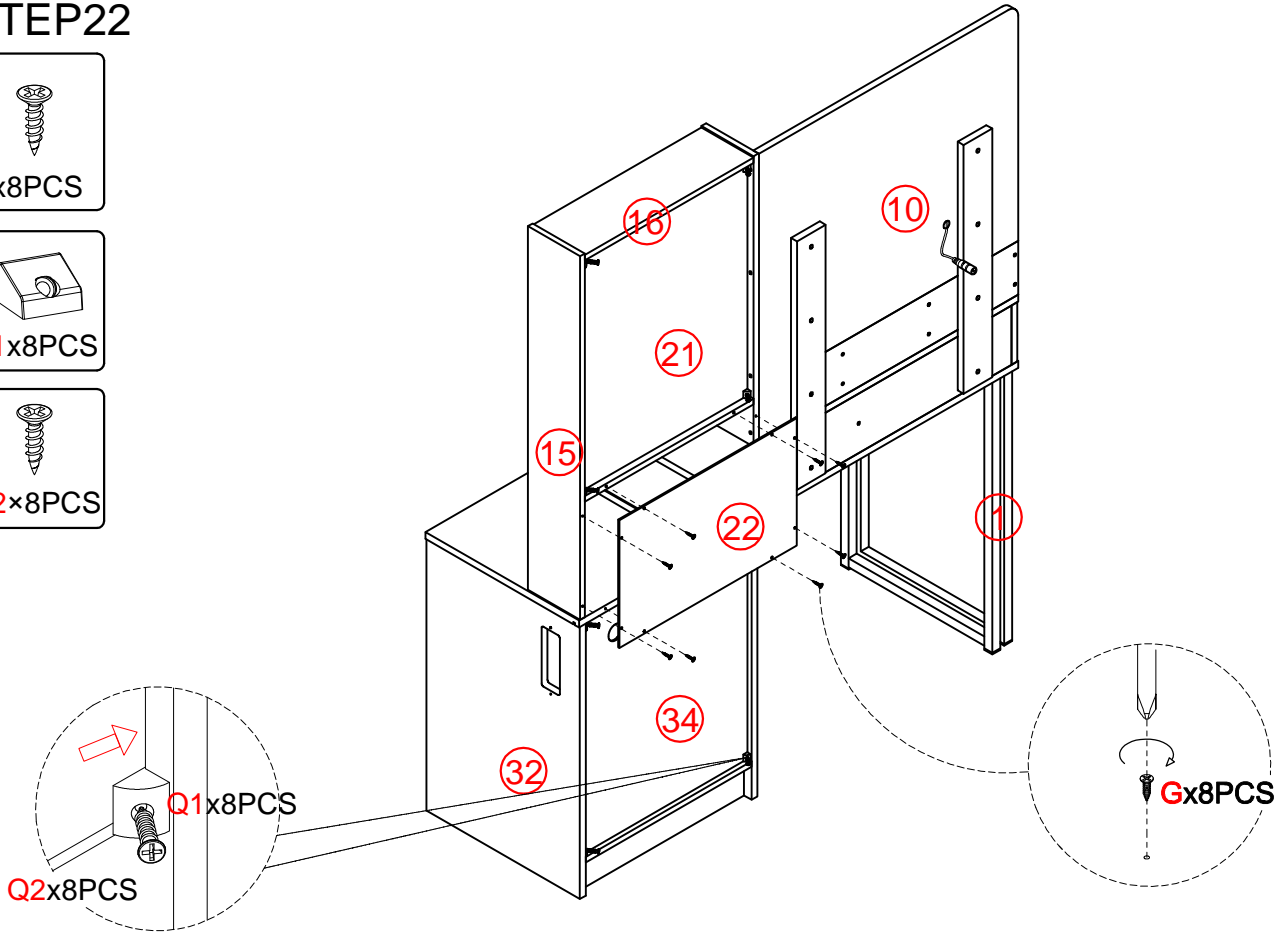
STEP20



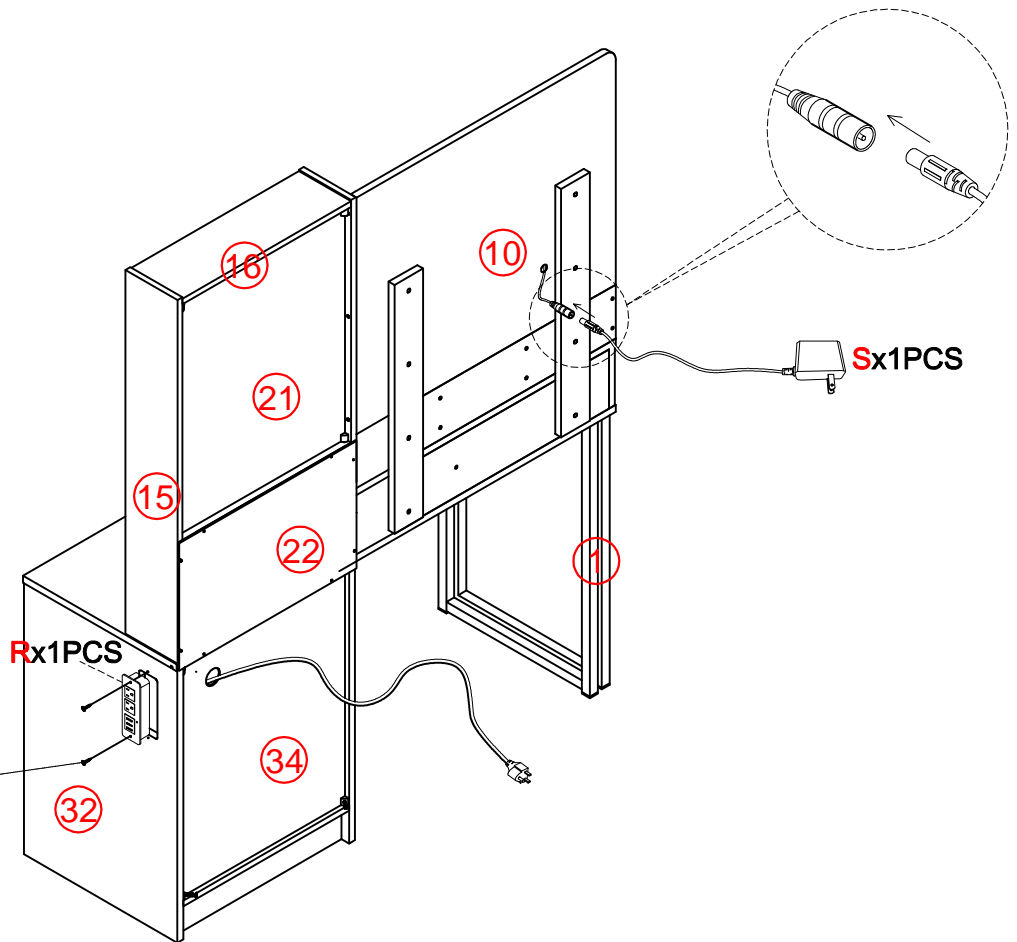
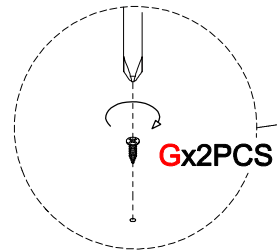
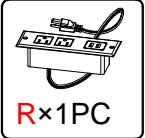
STEP21



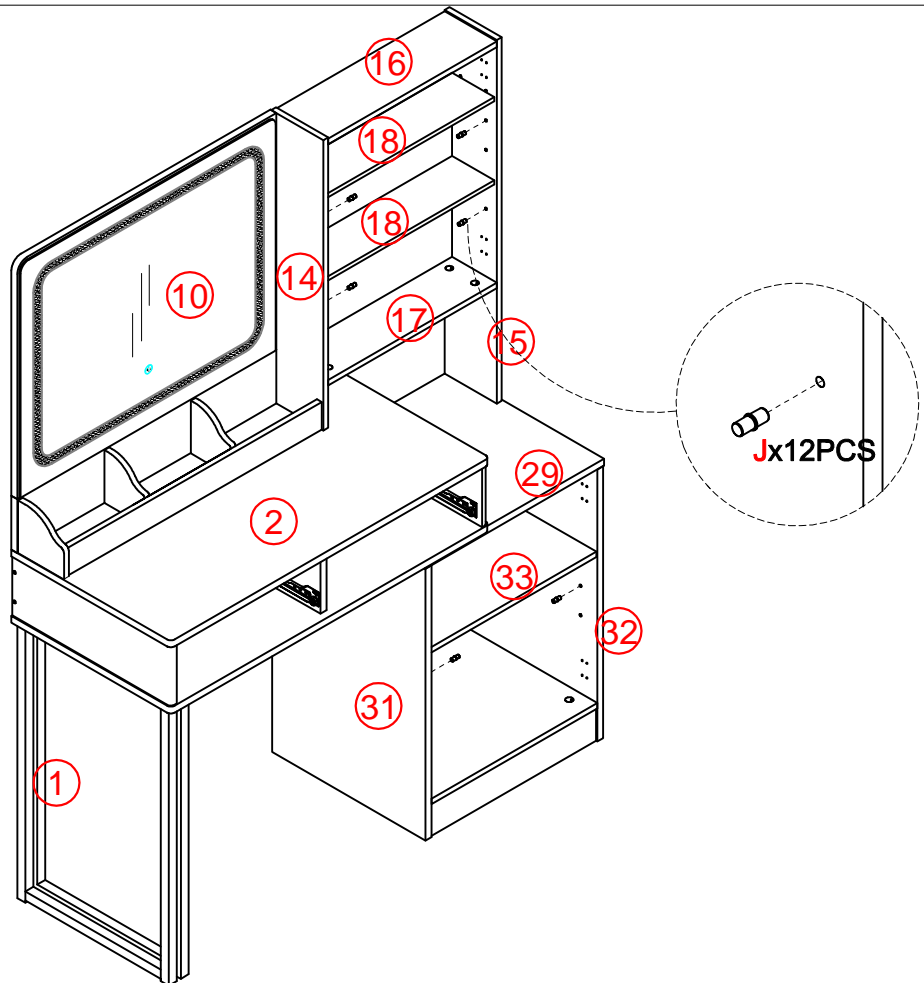
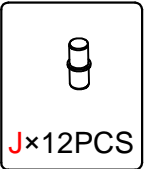
STEP22



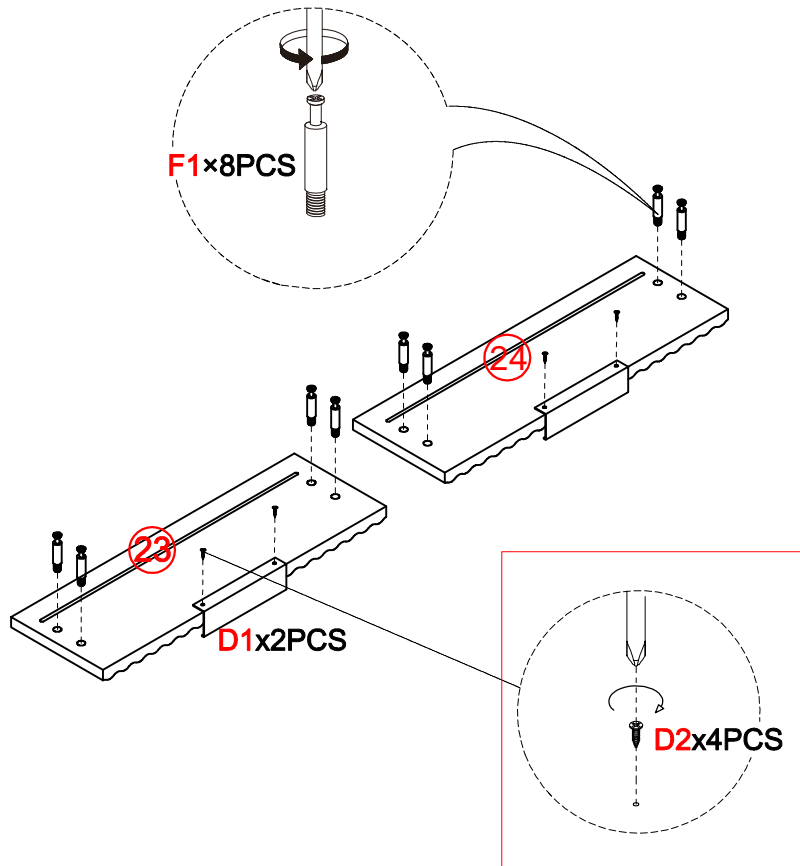
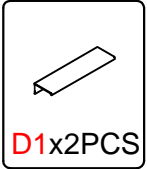
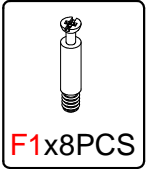
STEP23



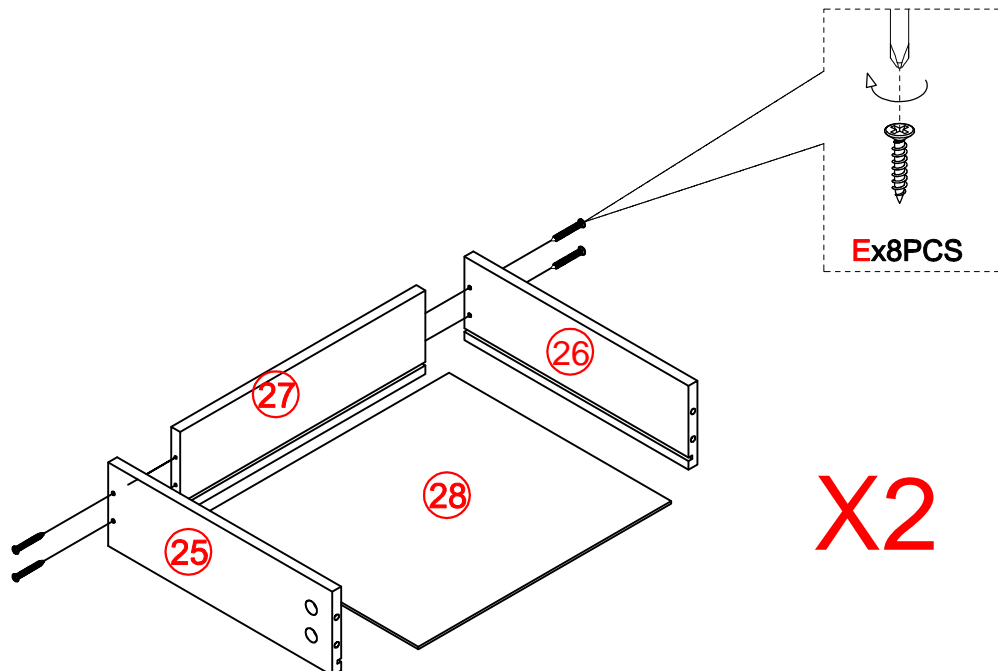
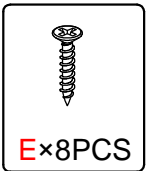
STEP24



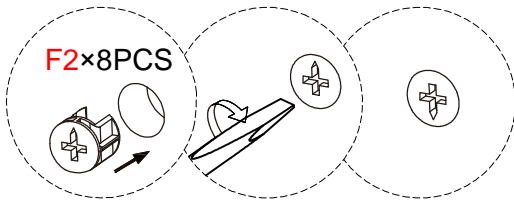
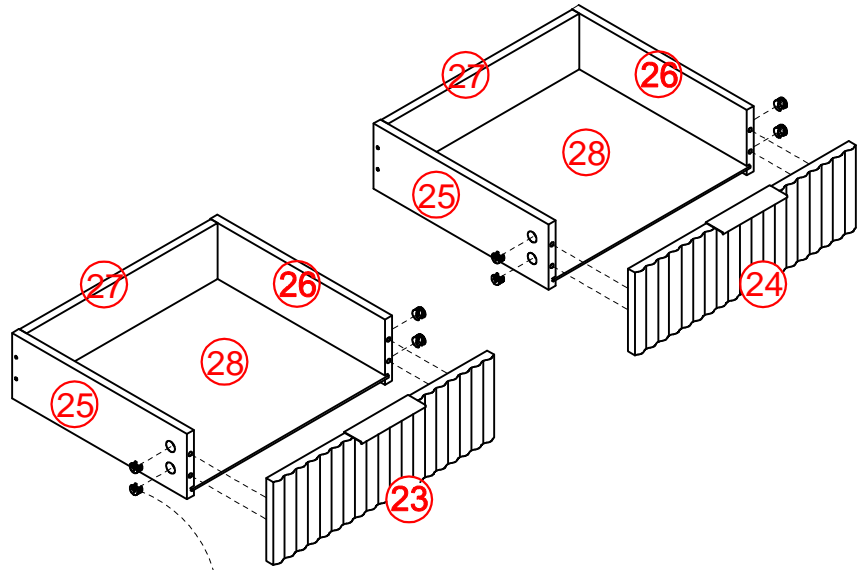
STEP25



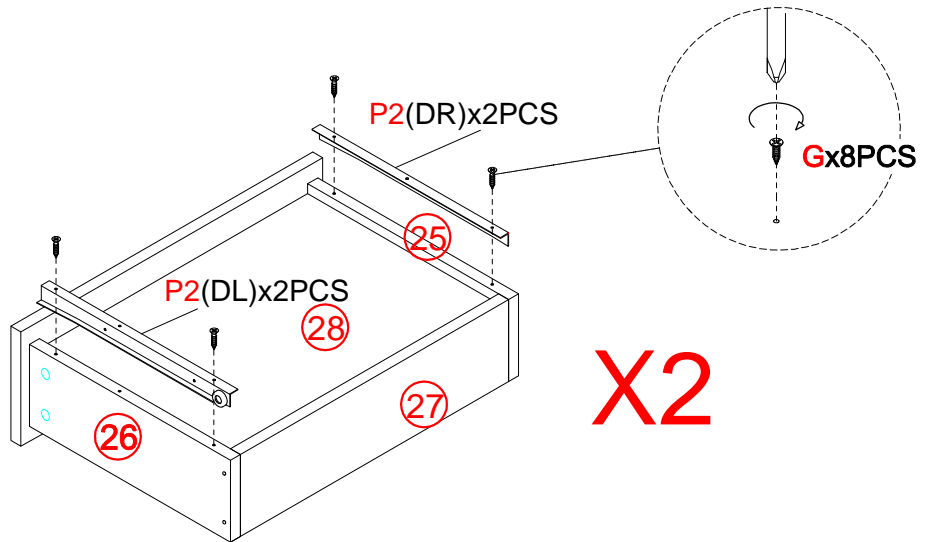
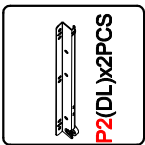
STEP26



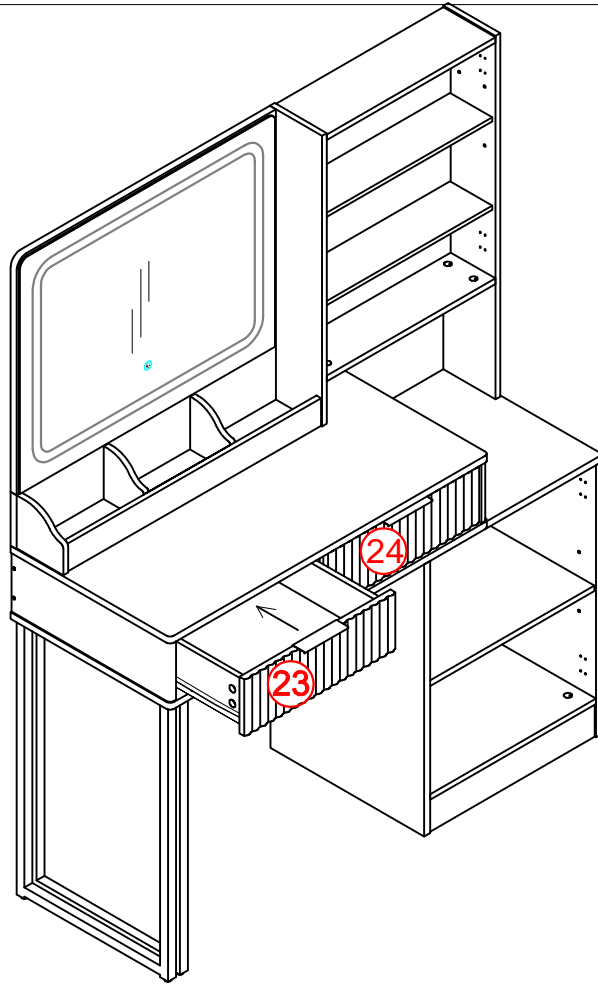
STEP27



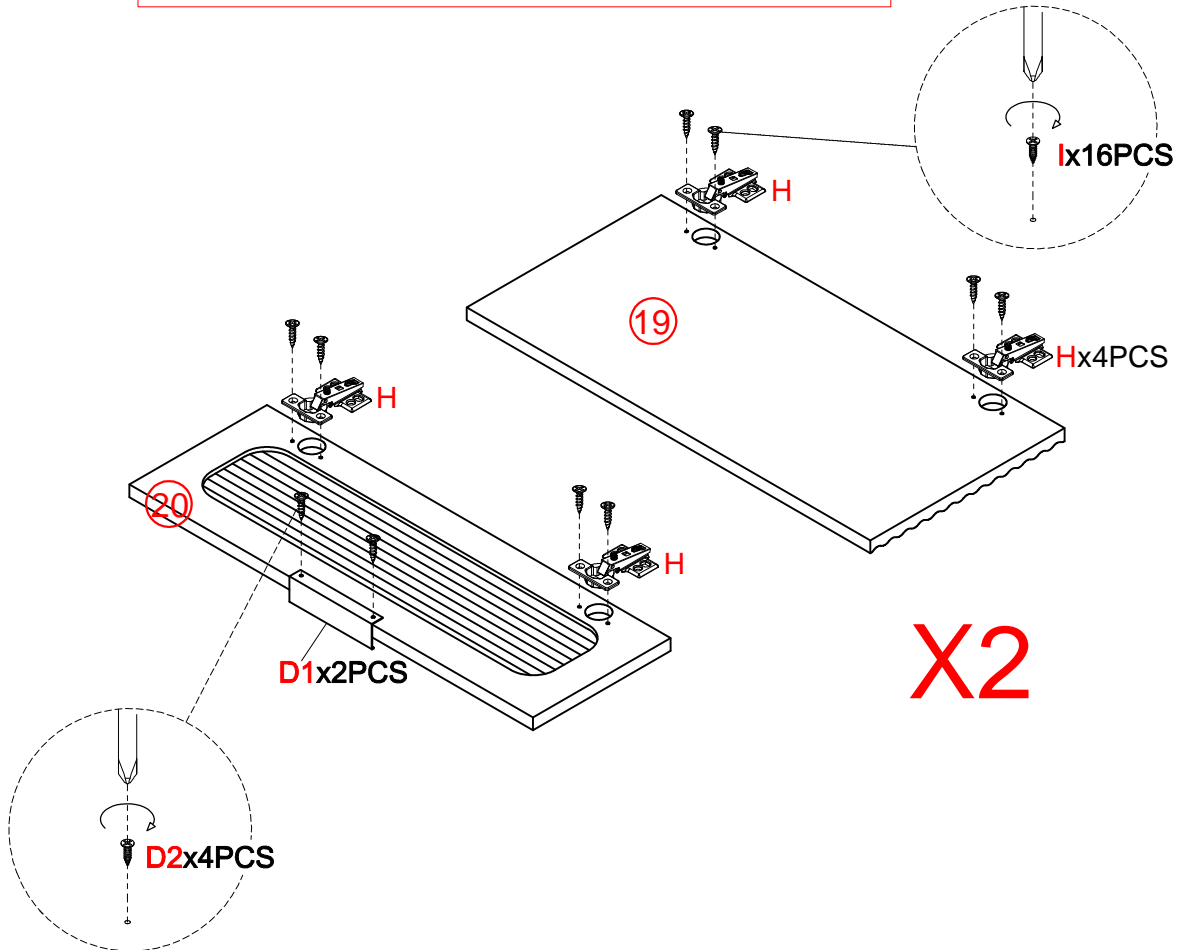
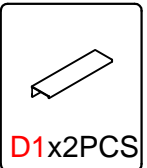
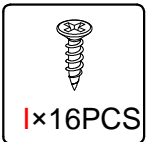
STEP28



STEP29



STEP30



STEP31

