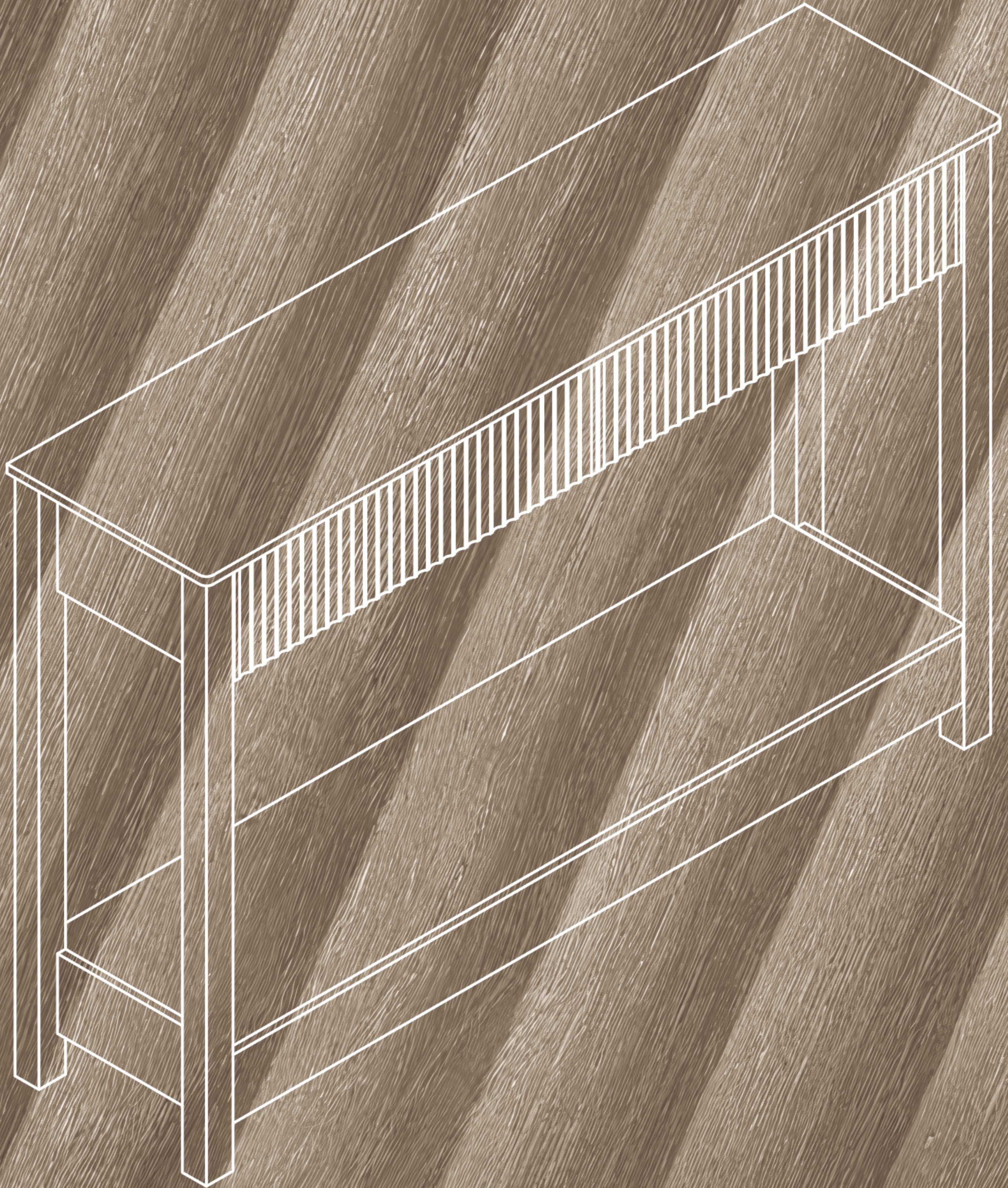


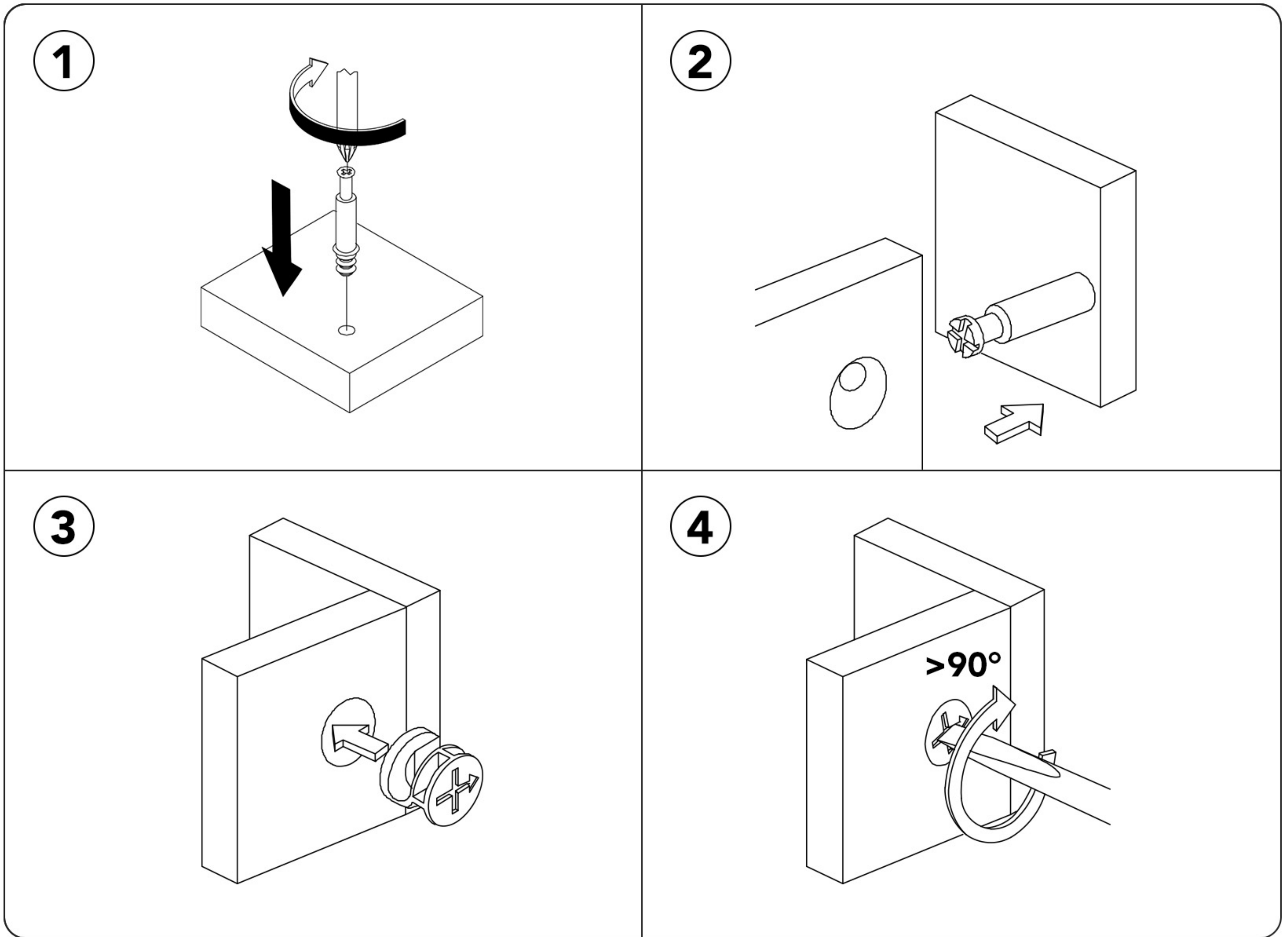
Console Table

Assembly Instructions



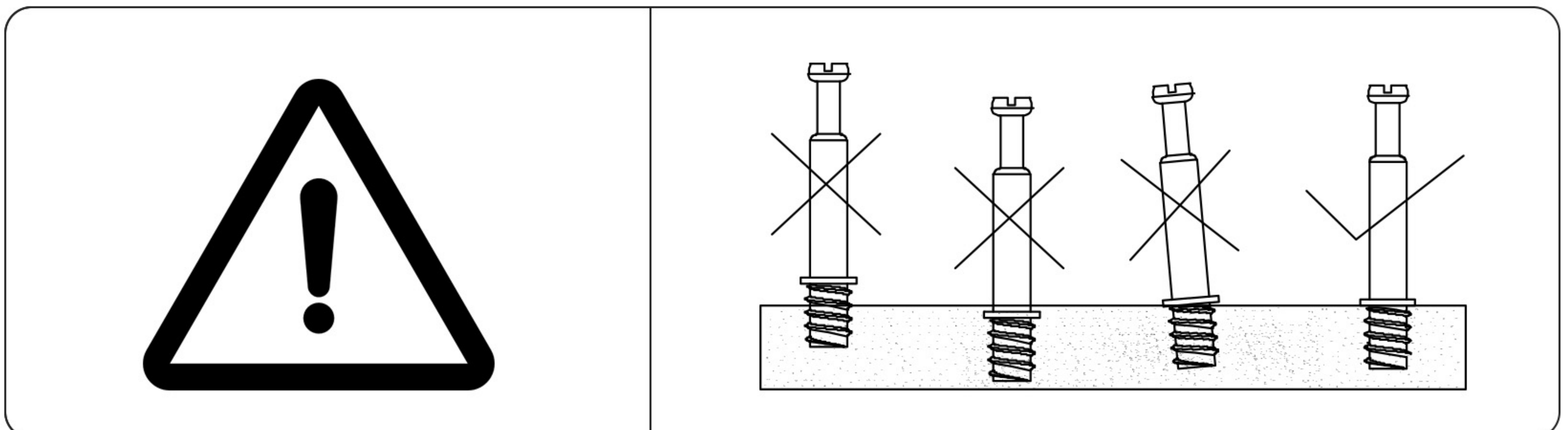
— HMET-005 —

Heads Up: Common Installation Mistakes

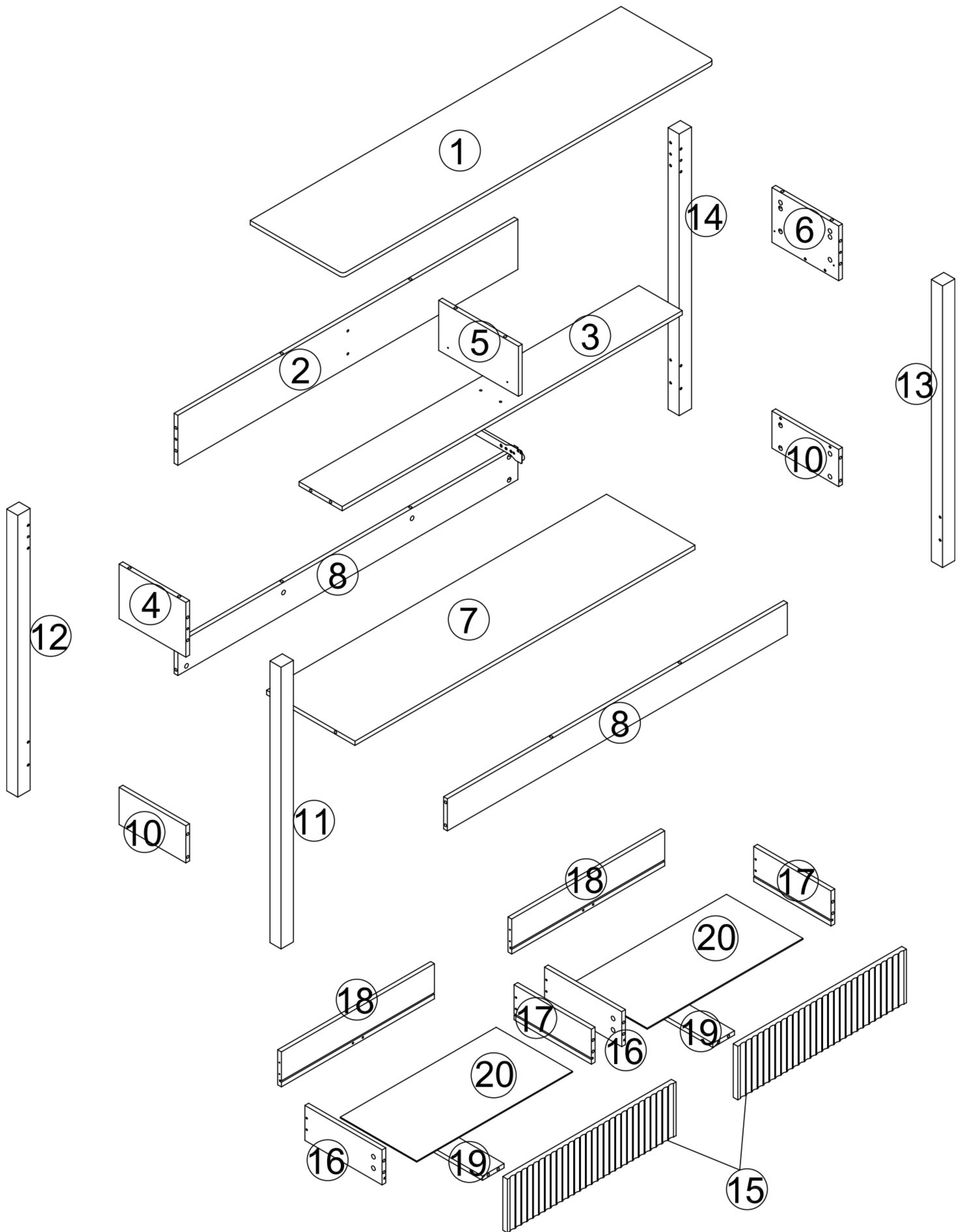


The screw must be installed perfectly straight and to the correct depth. Improper installation, such as being too deep, too shallow, or crooked, must be avoided.

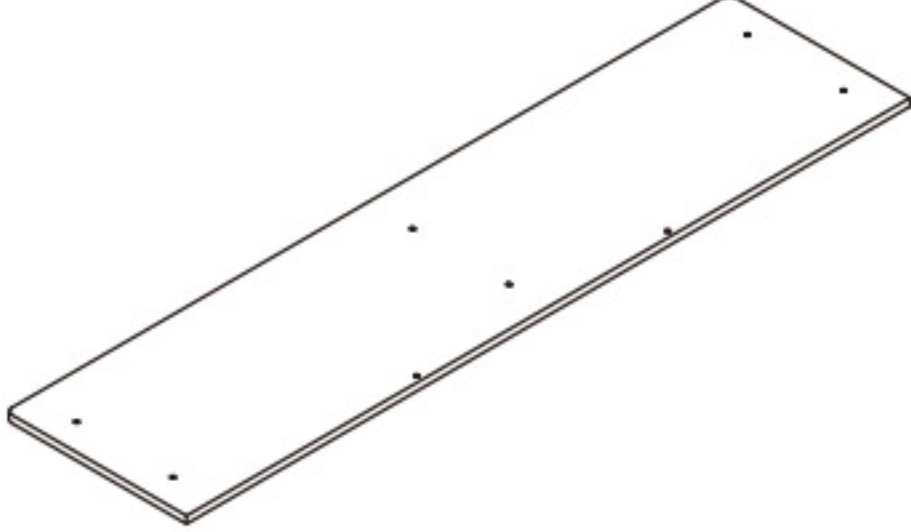
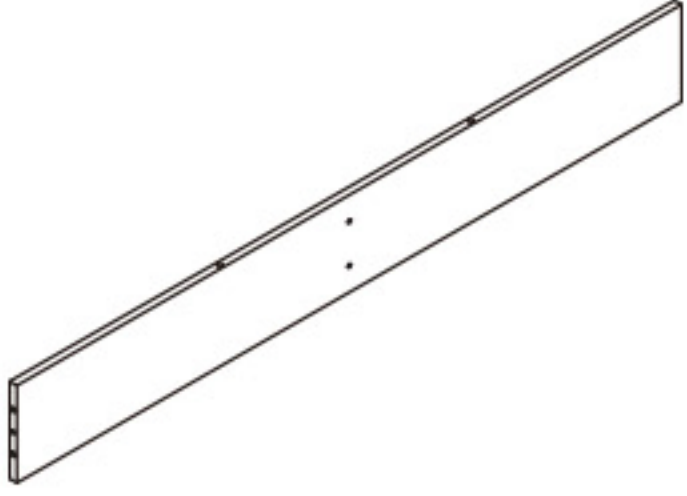
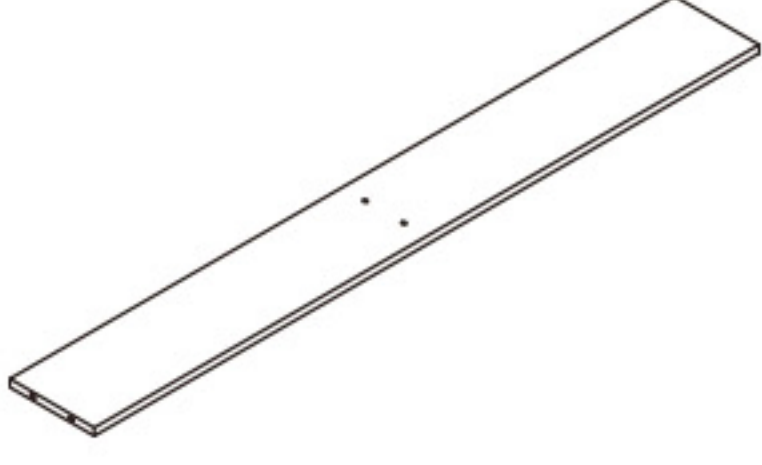
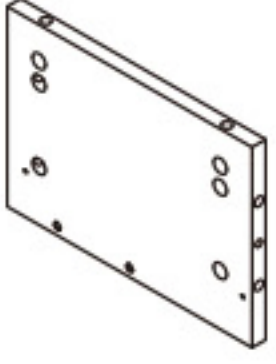
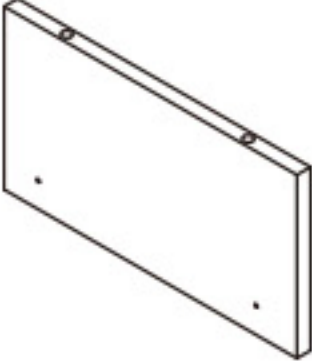
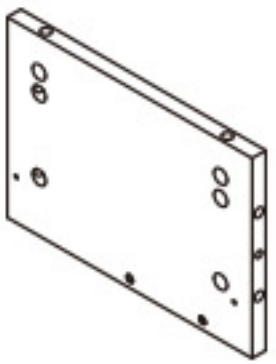
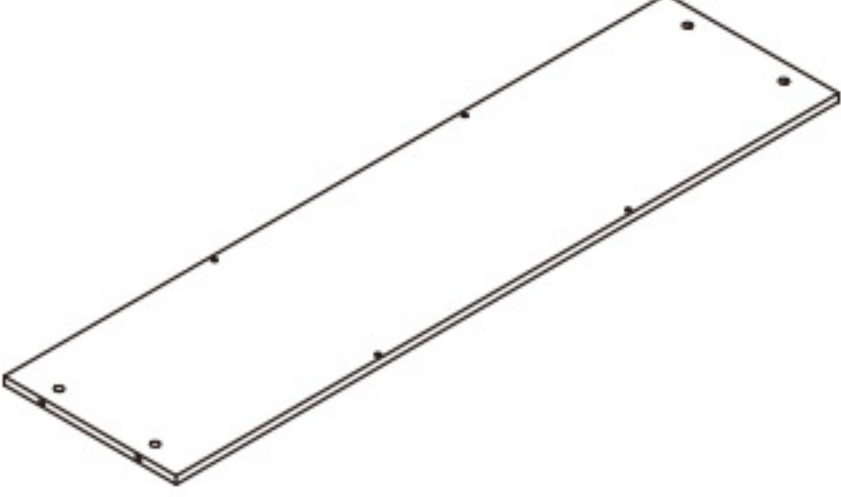
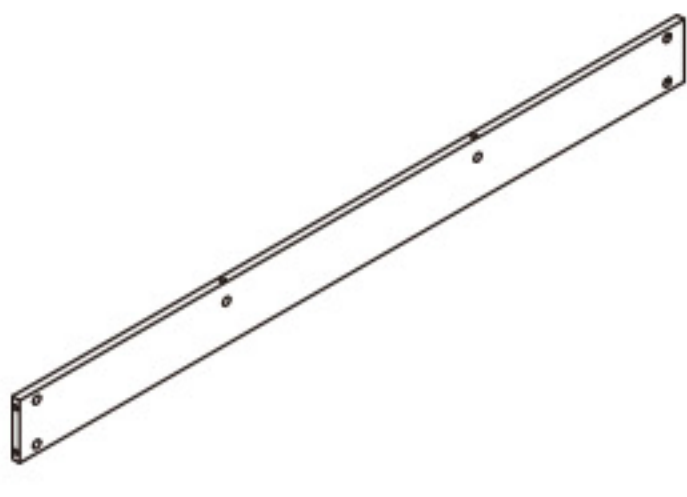
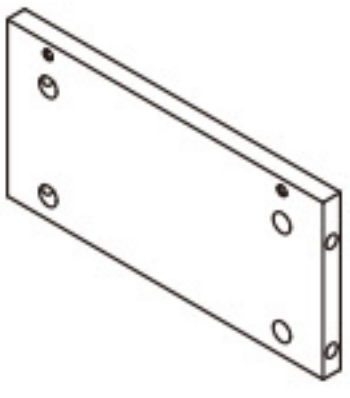




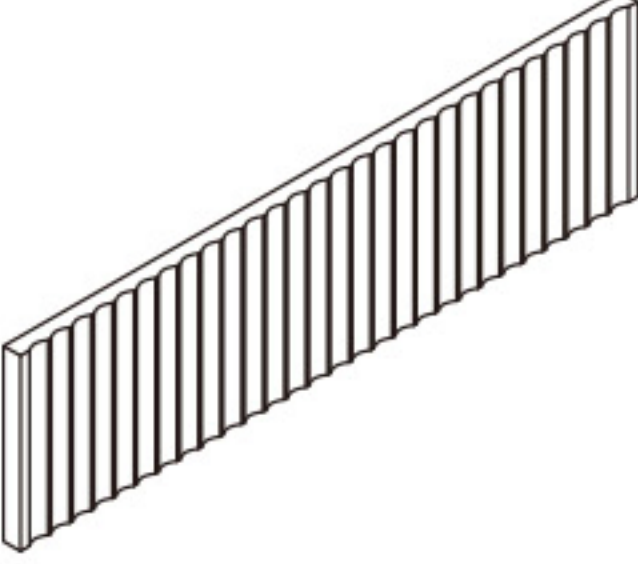
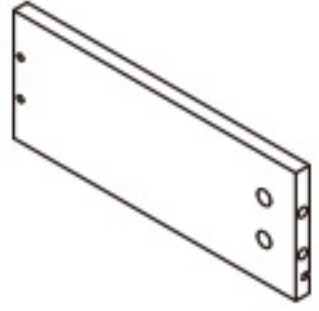
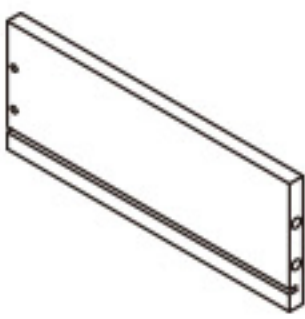
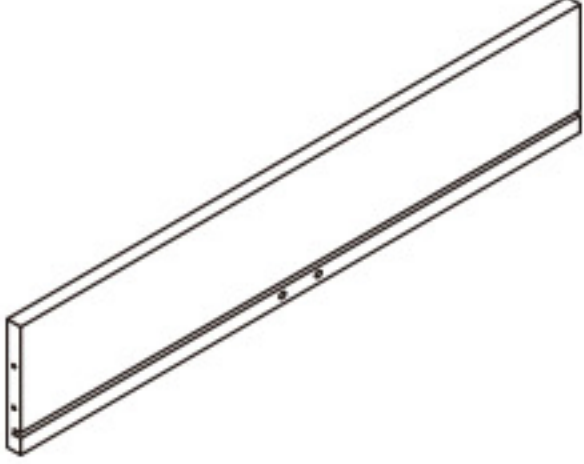
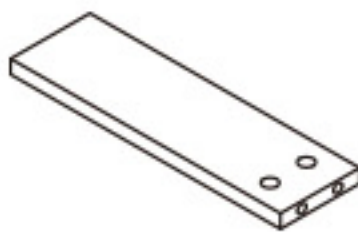
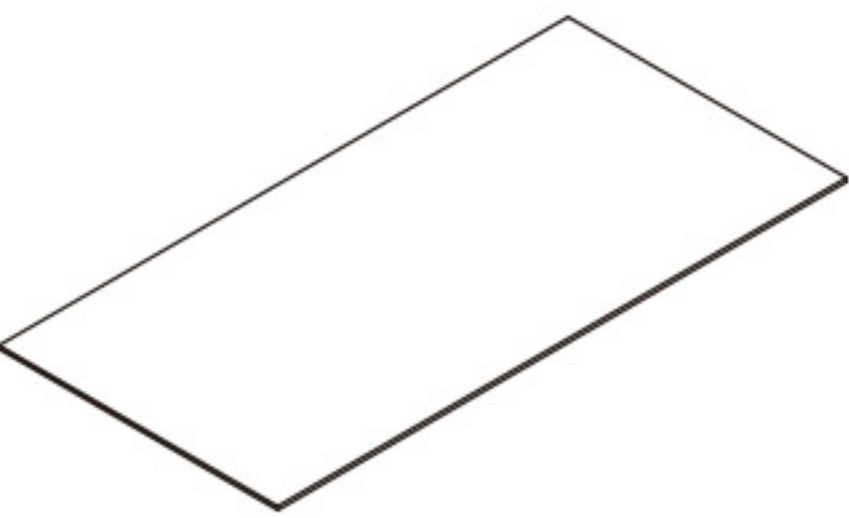
WARNING: Improper installation will compromise the assembly's integrity.



PARTS LIST

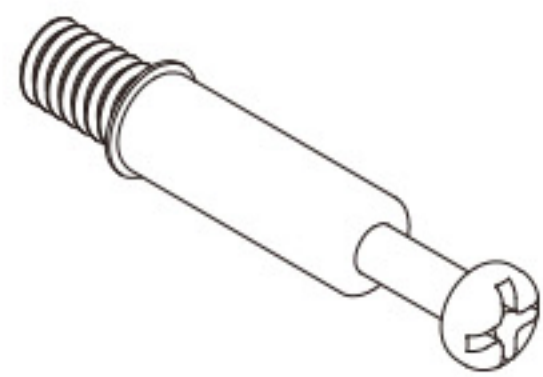


PARTS LIST

<p>①</p>  <p>x1</p>	<p>②</p>  <p>x1</p>	<p>③</p>  <p>x1</p>
<p>④</p>  <p>x1</p>	<p>⑤</p>  <p>x1</p>	<p>⑥</p>  <p>x1</p>
<p>⑦</p>  <p>x1</p>	<p>⑧</p>  <p>x2</p>	<p>⑩</p>  <p>x2</p>
<p>⑪</p>  <p>x1</p>	<p>⑫</p>  <p>x1</p>	<p>⑬</p>  <p>x1</p>
<p>⑭</p>  <p>x1</p>	<p>⑮</p>  <p>x2</p>	<p>⑯</p>  <p>x2</p>
<p>⑰</p>  <p>x2</p>	<p>⑱</p>  <p>x2</p>	<p>⑲</p>  <p>x2</p>
<p>⑳</p>  <p>x2</p>		

PARTS LIST

A x50



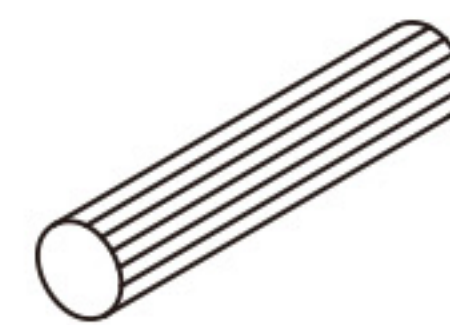
M5x30mm

B x50



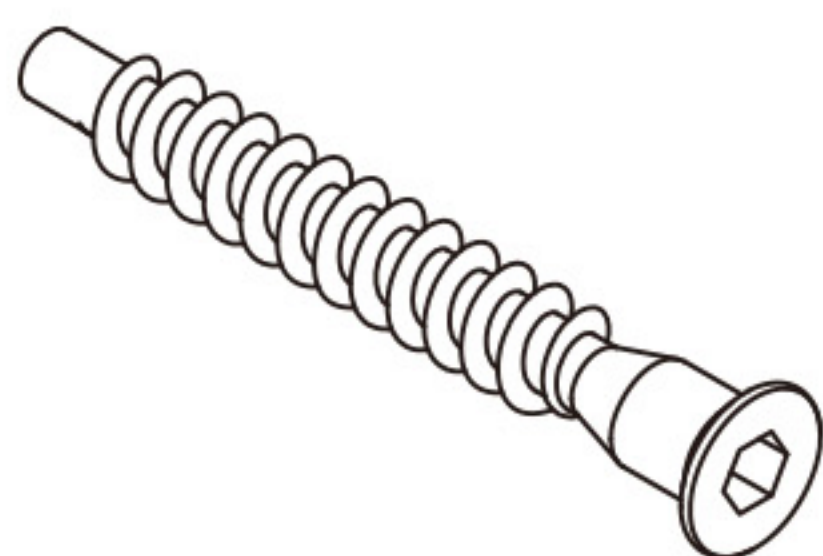
M12x9.5mm

C x6



M6x30mm

D x4



M5x40mm

E x16



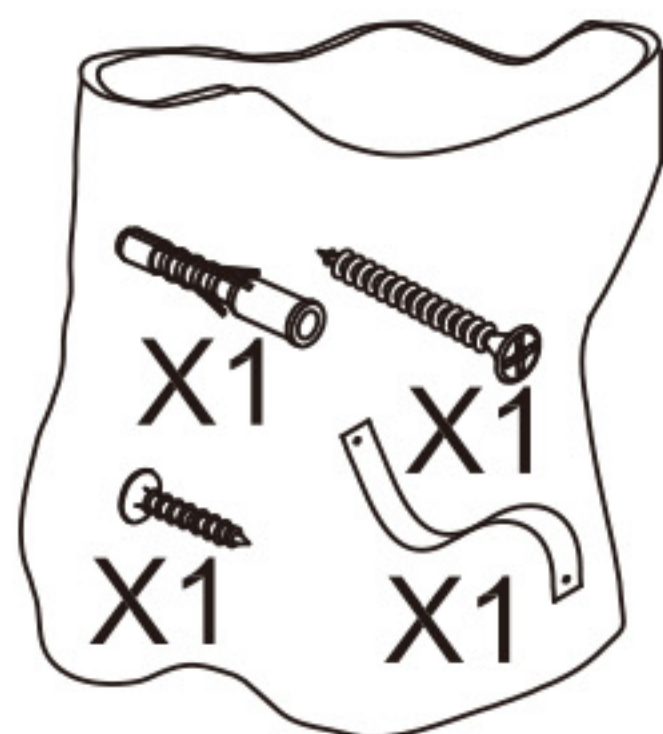
M3.5x12mm

F x8



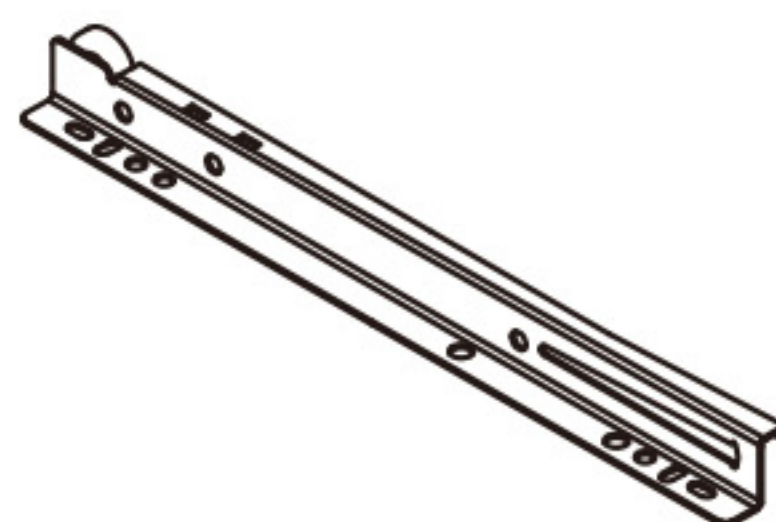
M3.5x35mm

G x2

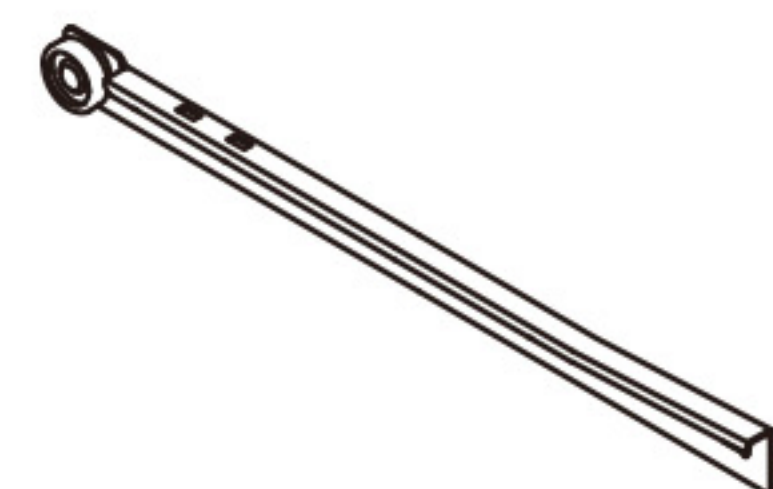


M3.5x35mm
M4x12mm

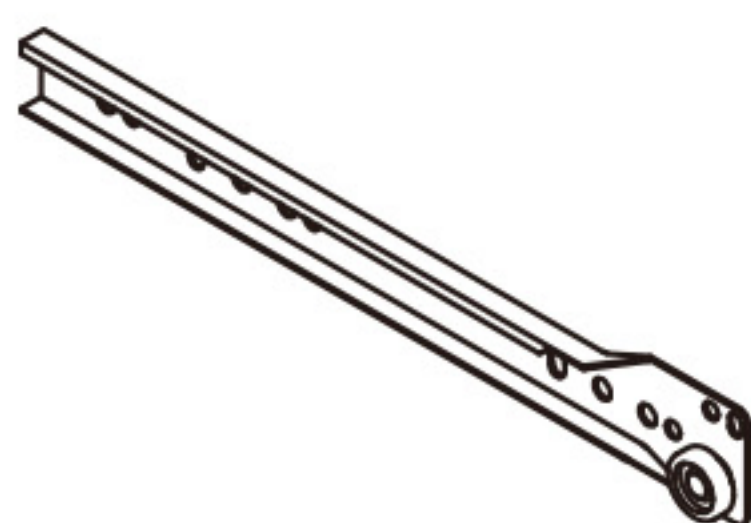
DR x2



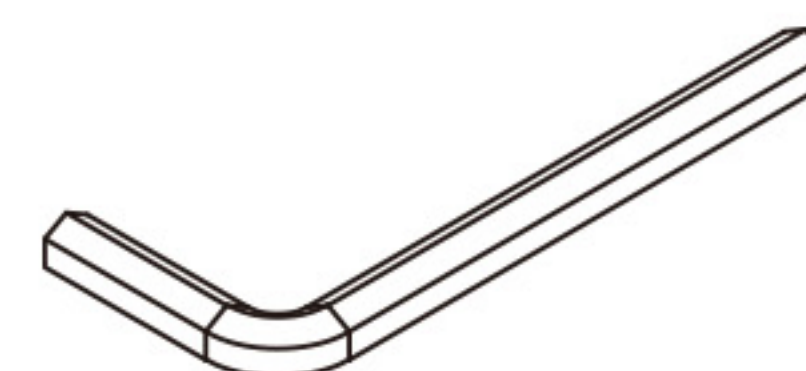
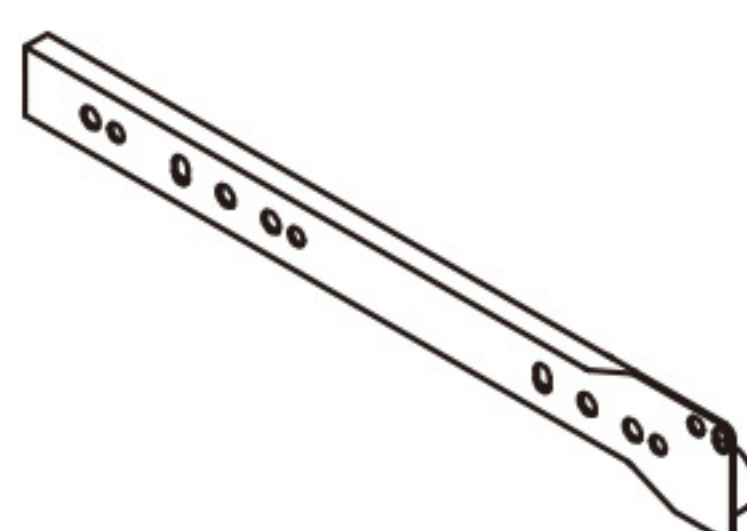
DL x2



CR x2



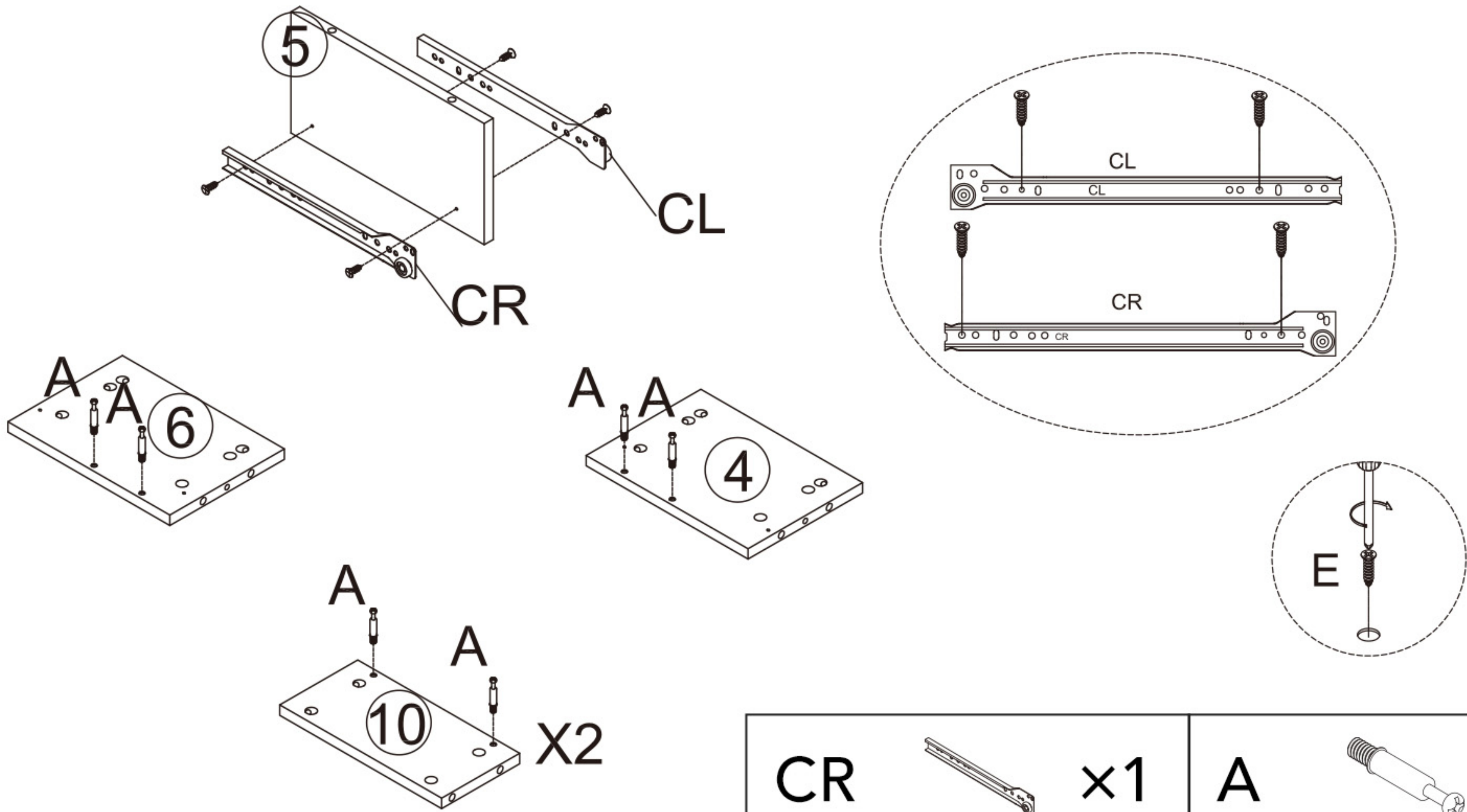
CL x2



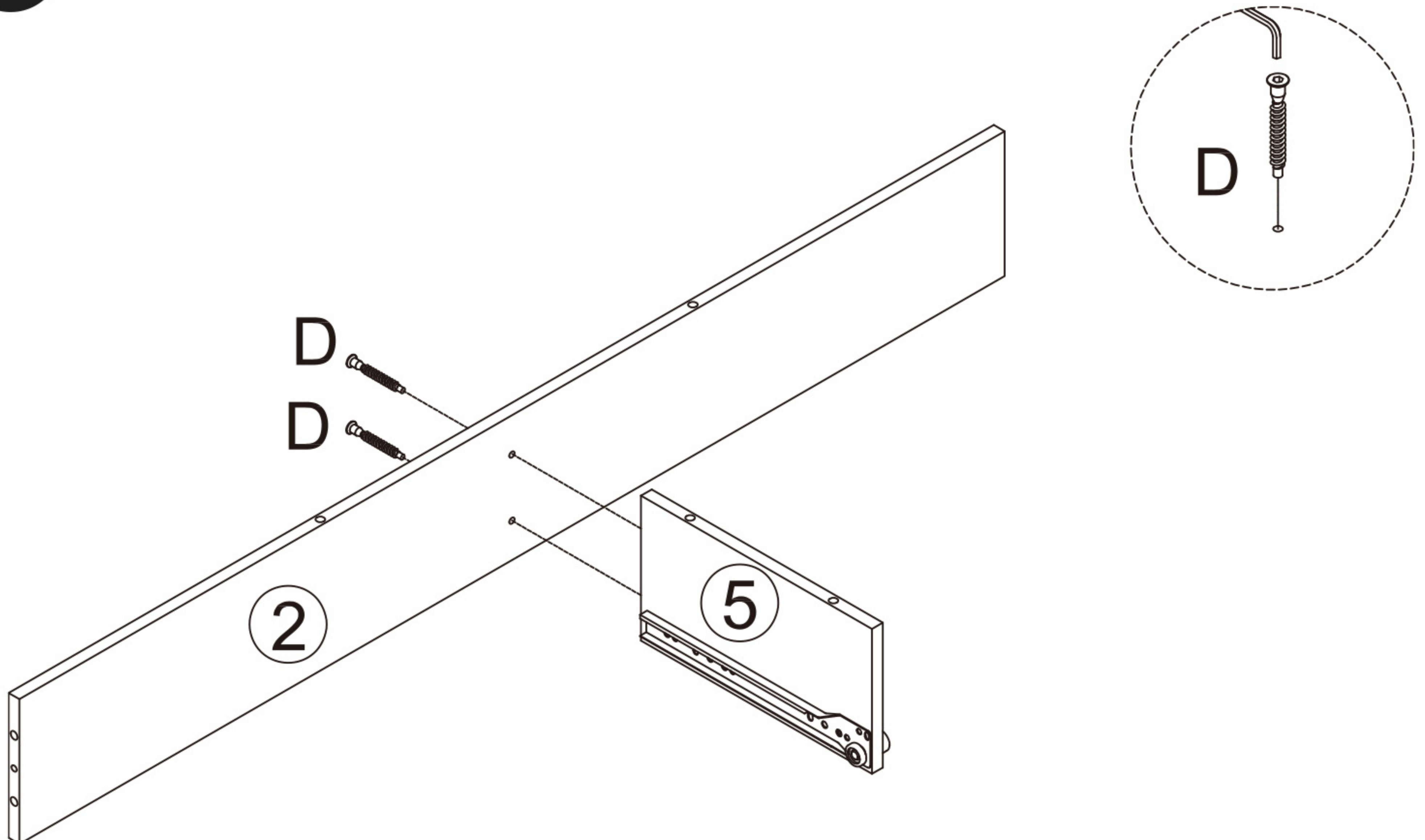
M3

Assembly Steps

1 The following steps need to be executed 2 times



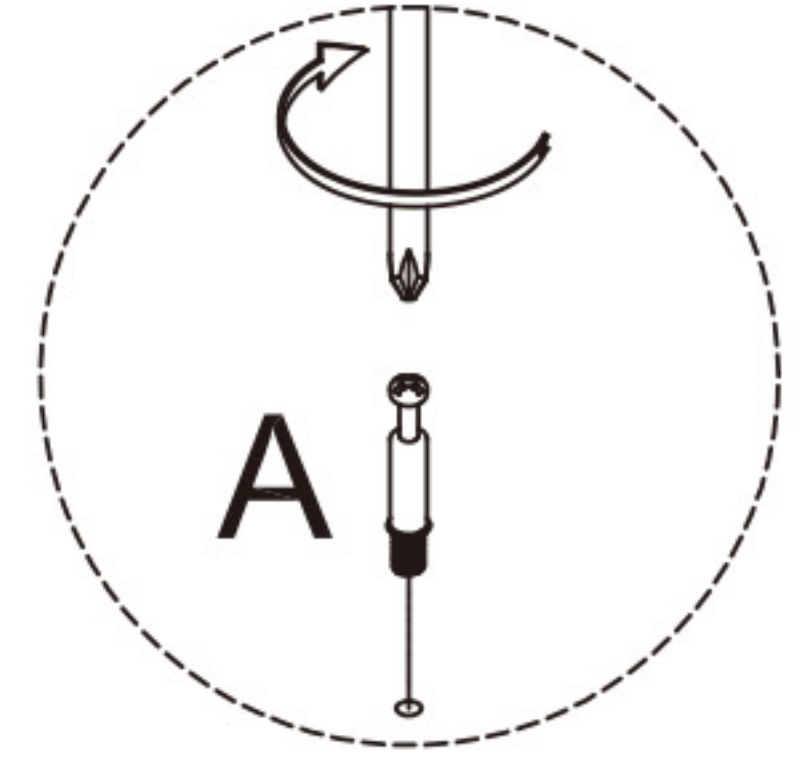
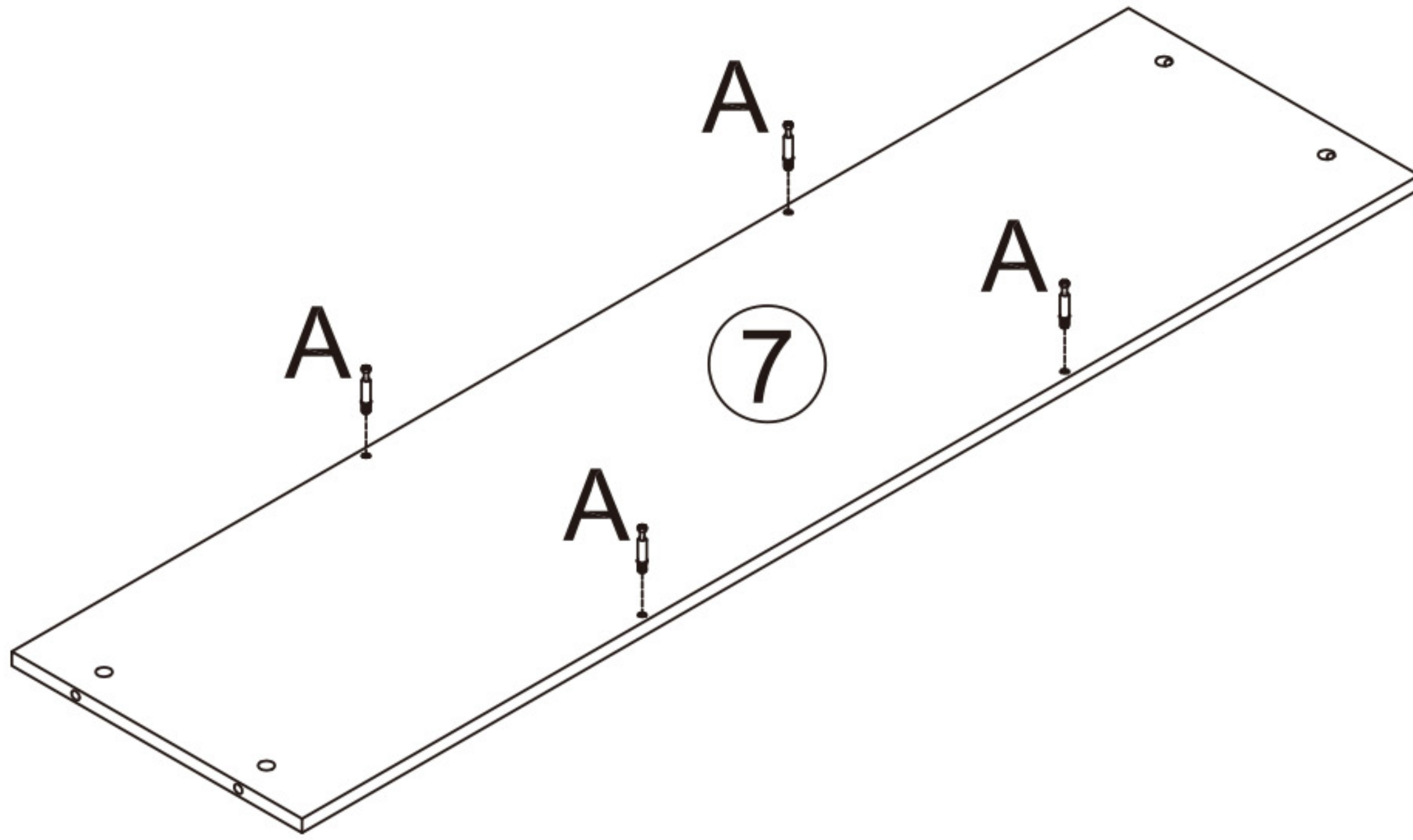
2



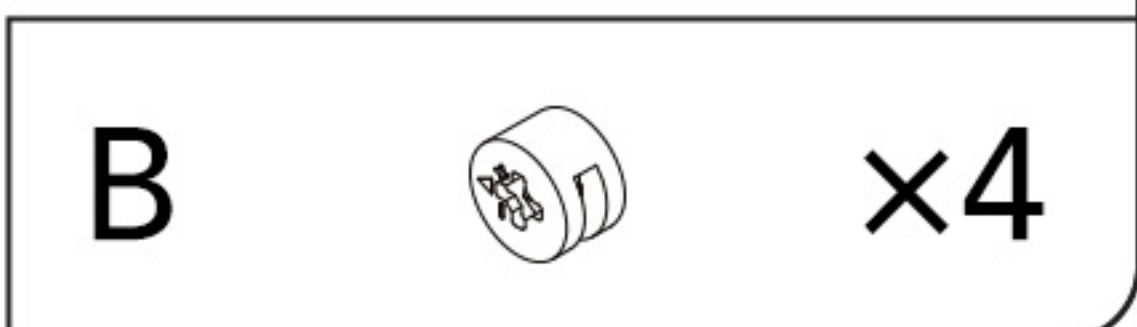
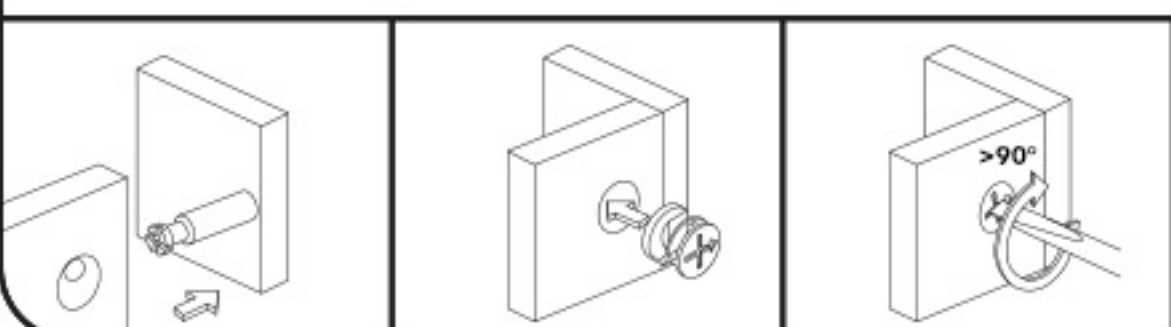
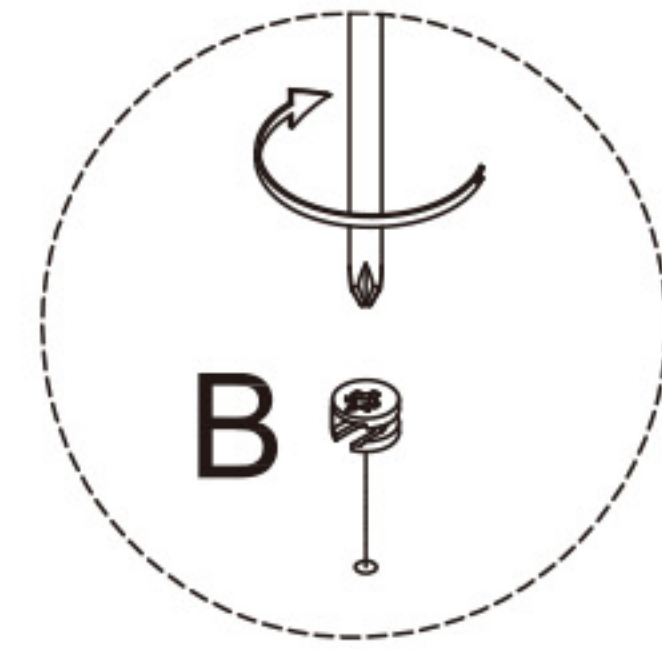
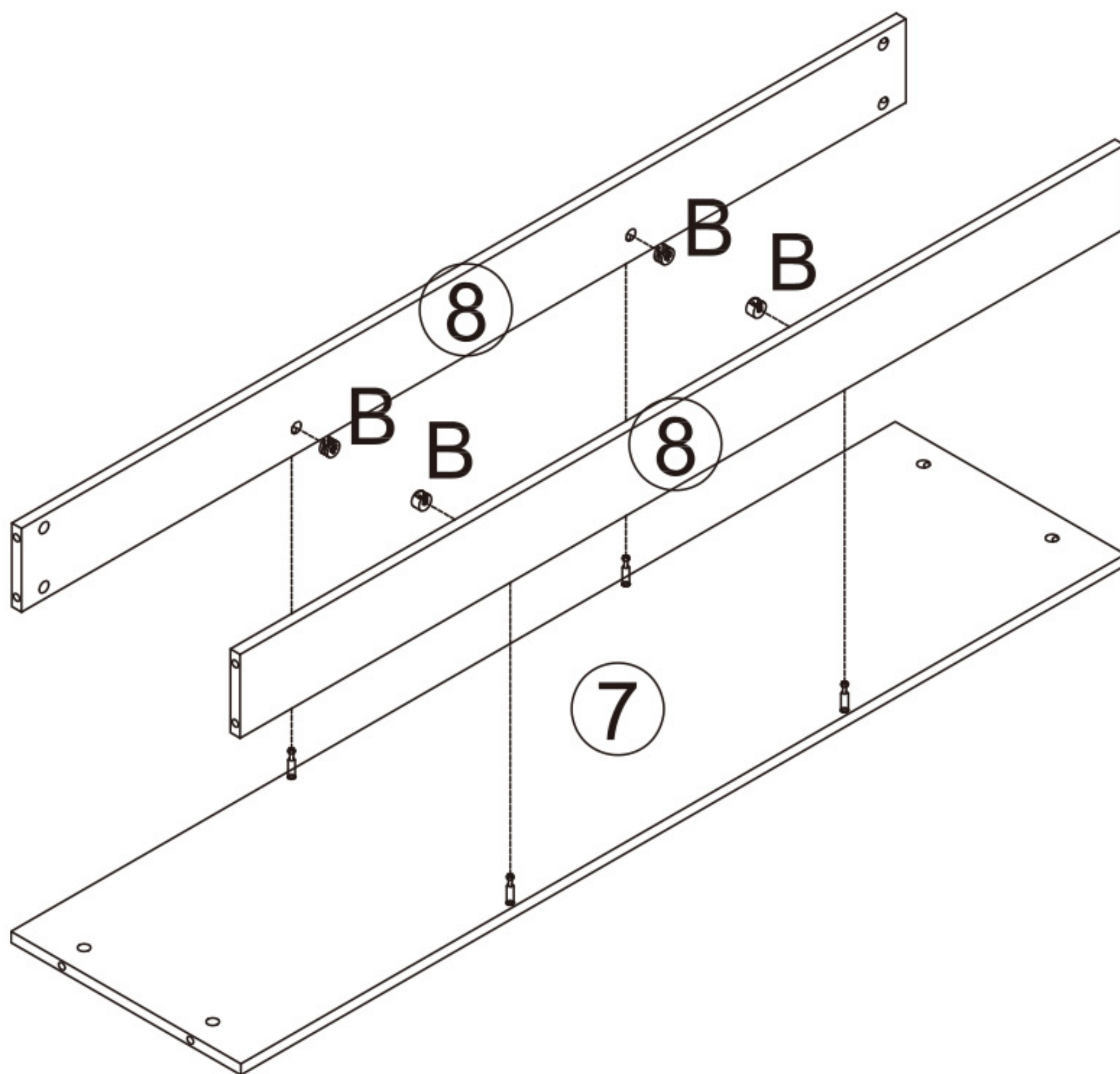
D		x2
---	--	----

Assembly Steps

3

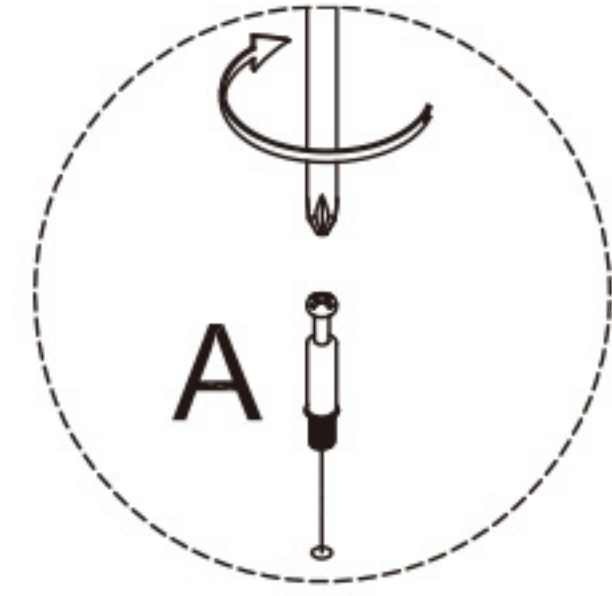
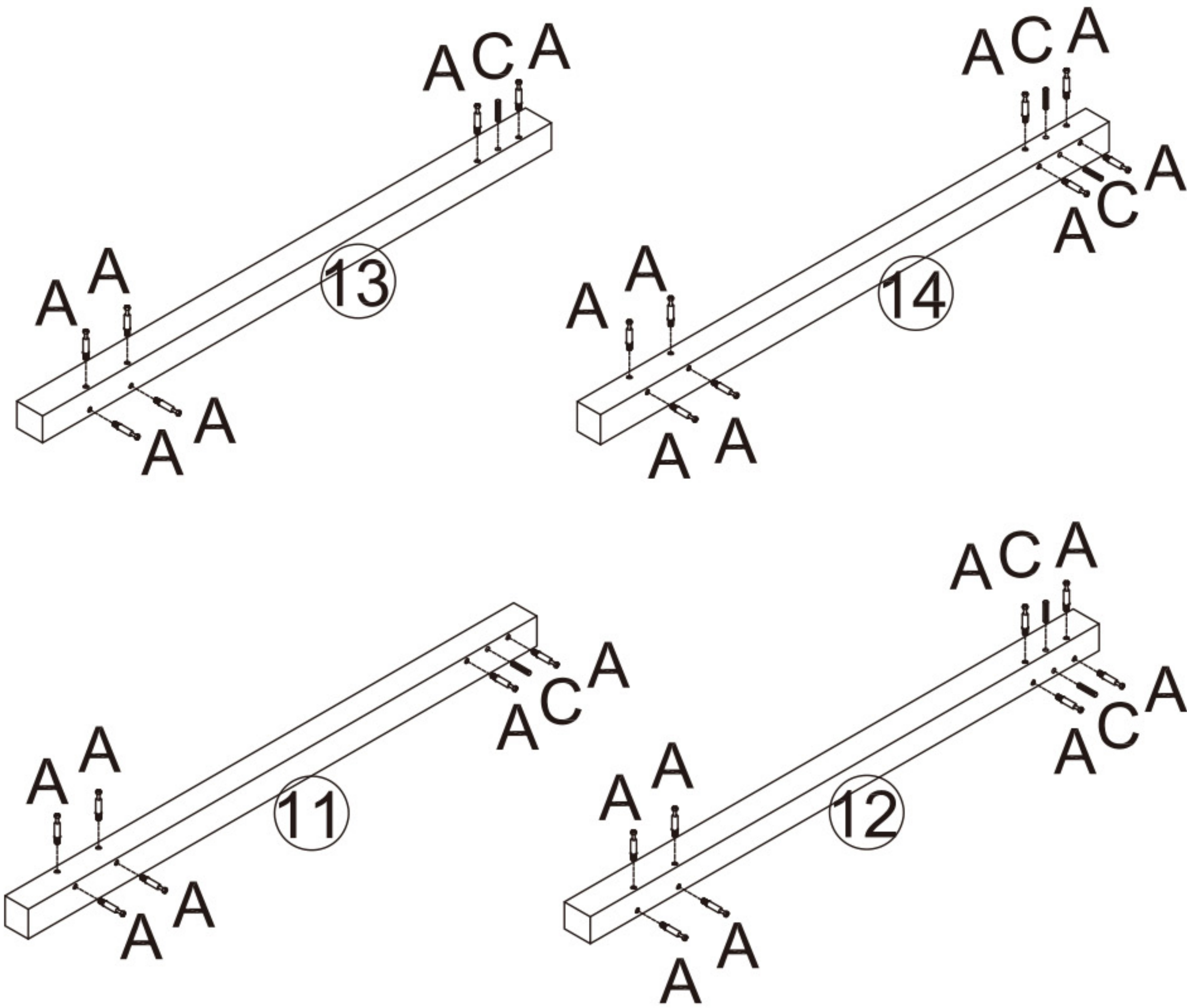



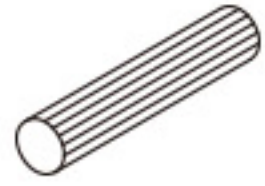
4



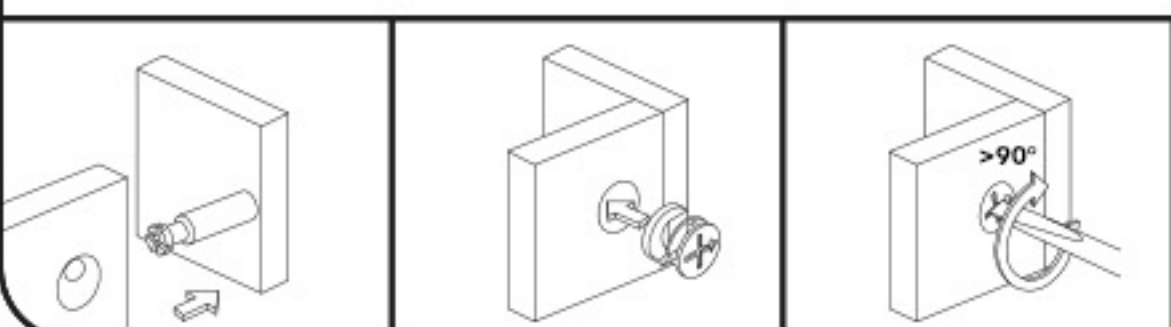
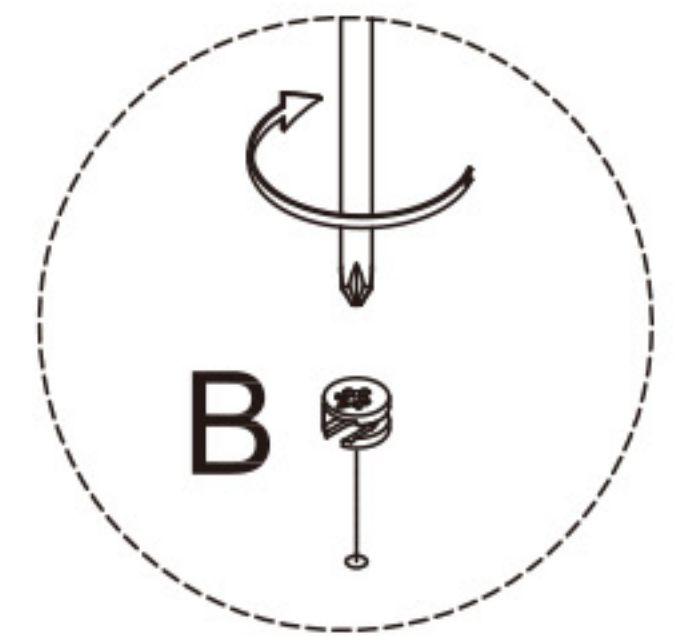
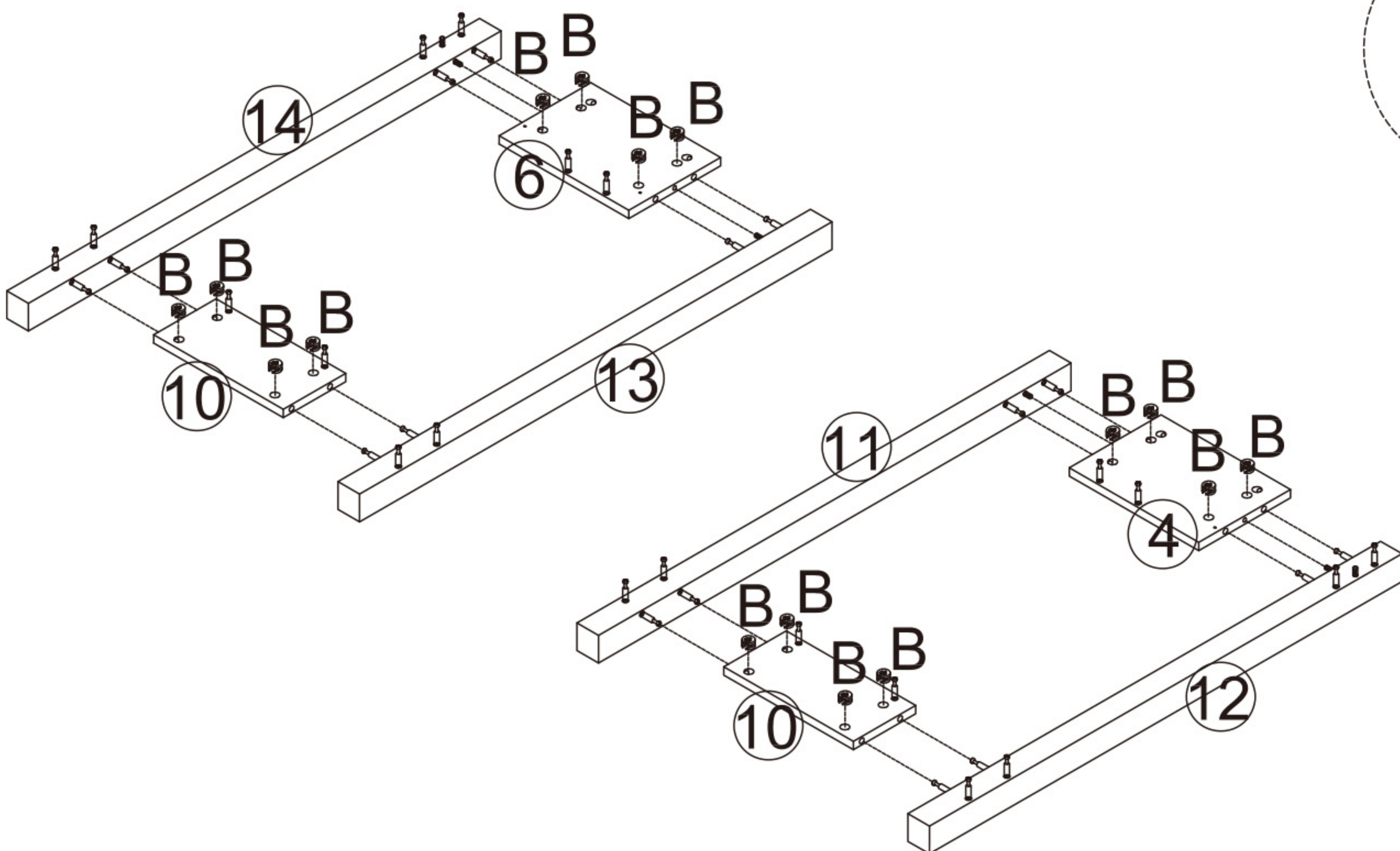
Assembly Steps


5



A		×28
C		×6

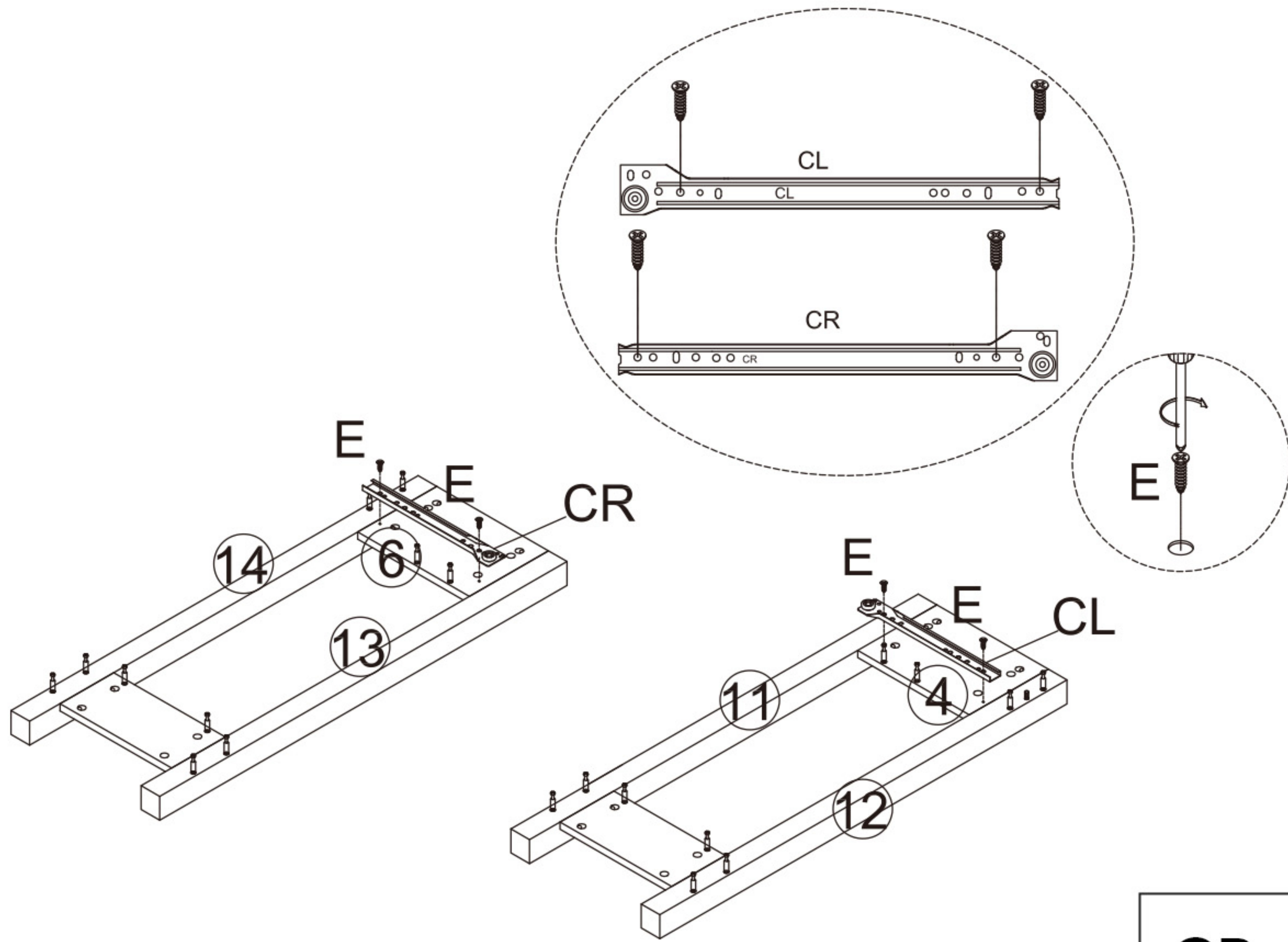
6



B		×16
---	---	-----

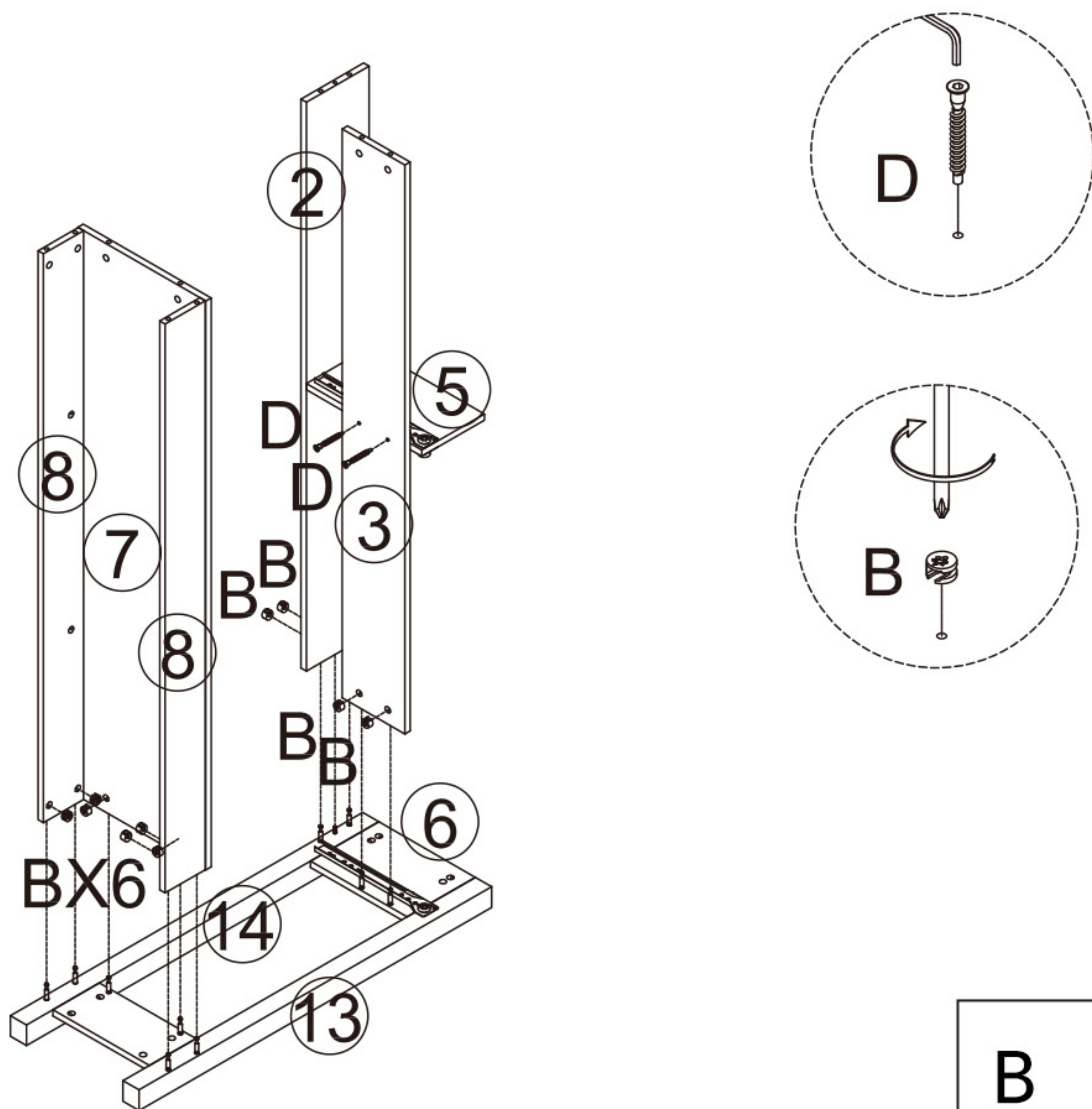
Assembly Steps

7

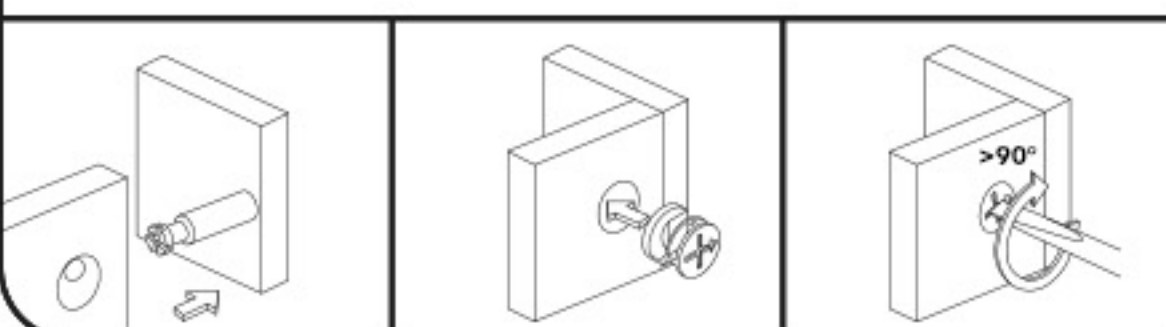


CR		x1
E		x4
CL		x1

8

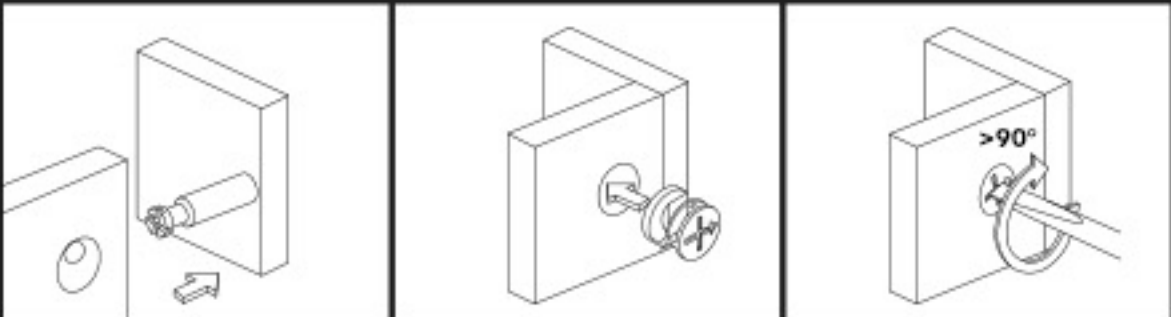
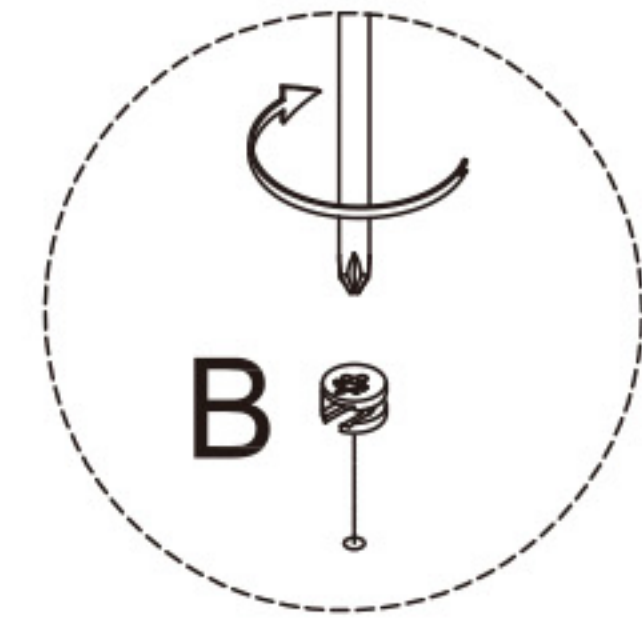
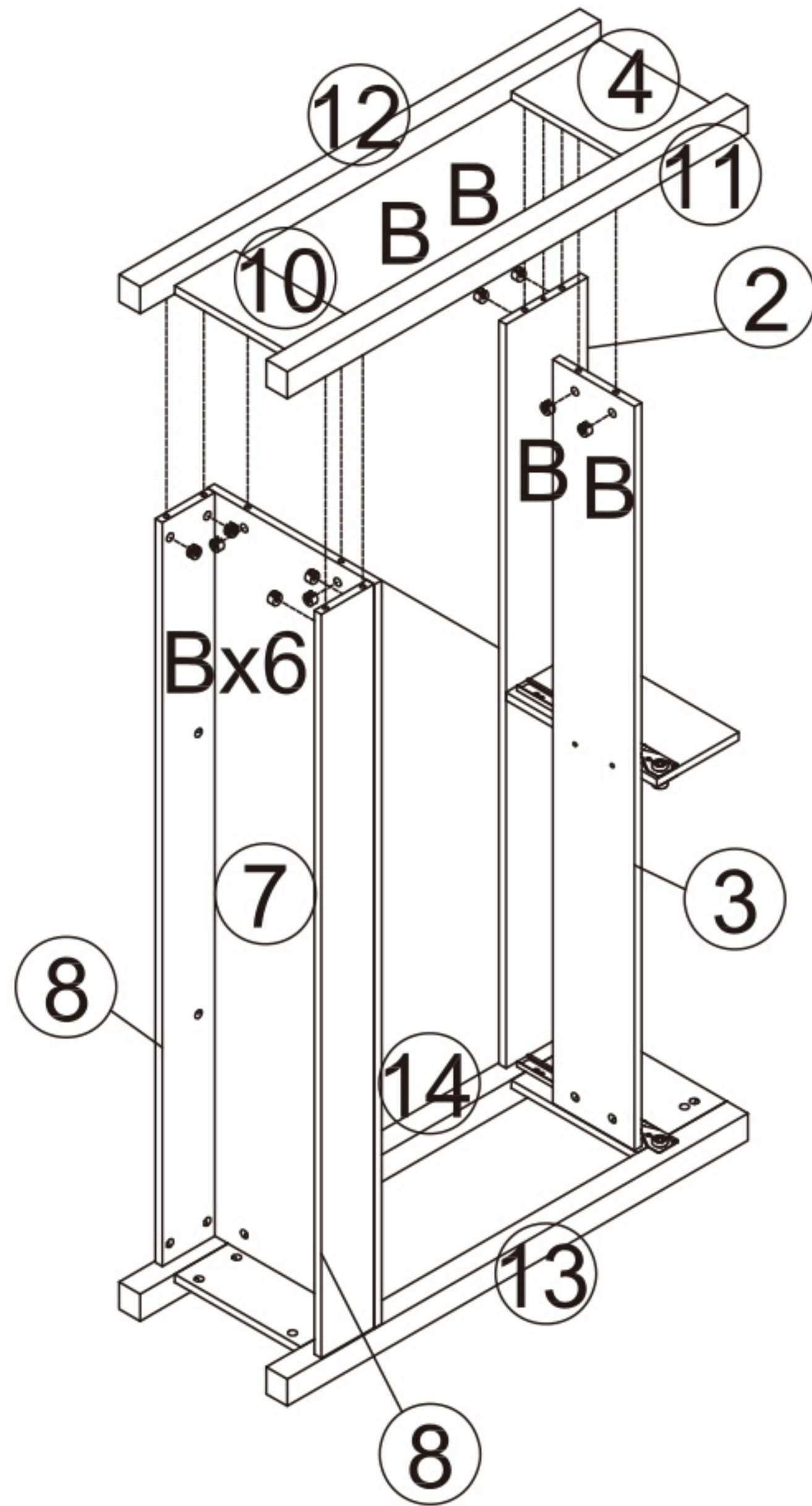


B		x10
D		x2



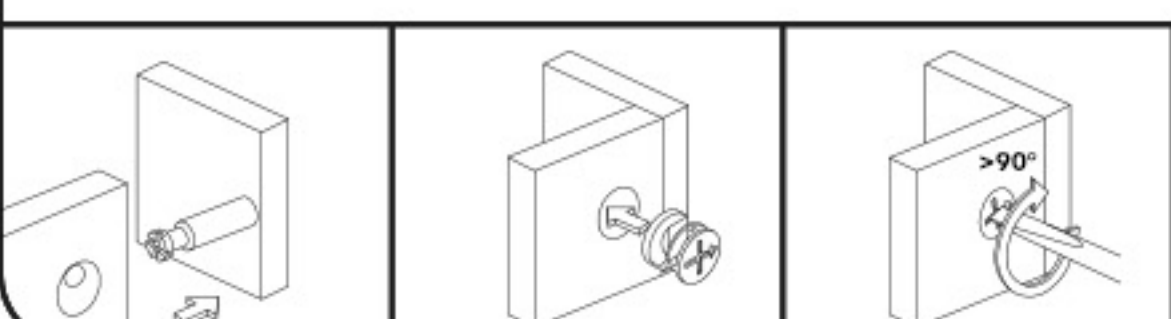
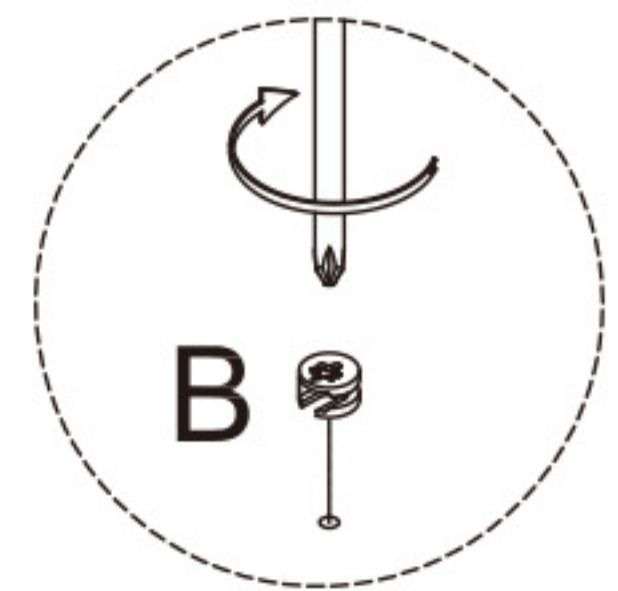
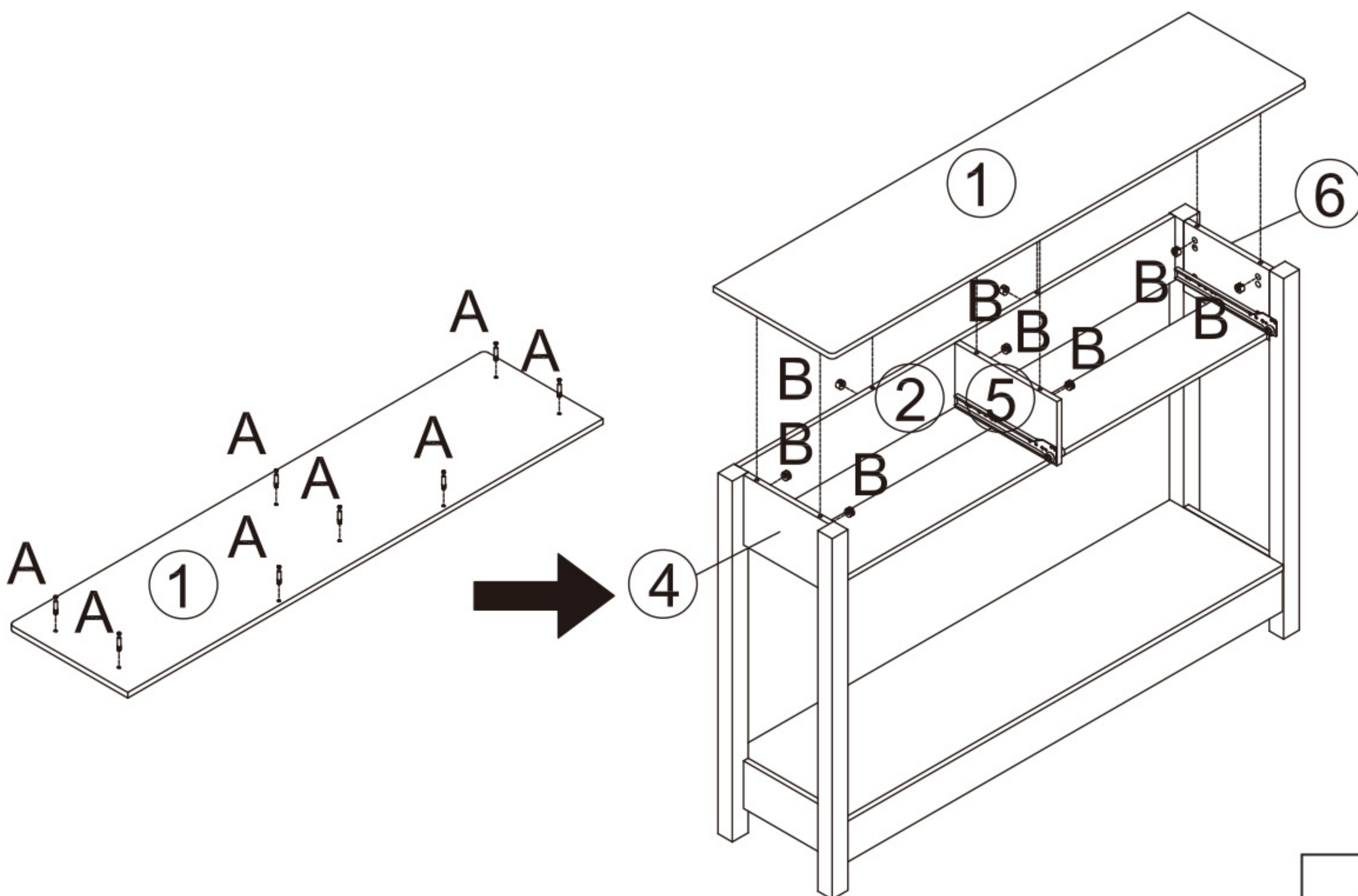
Assembly Steps

9



B  x10

10

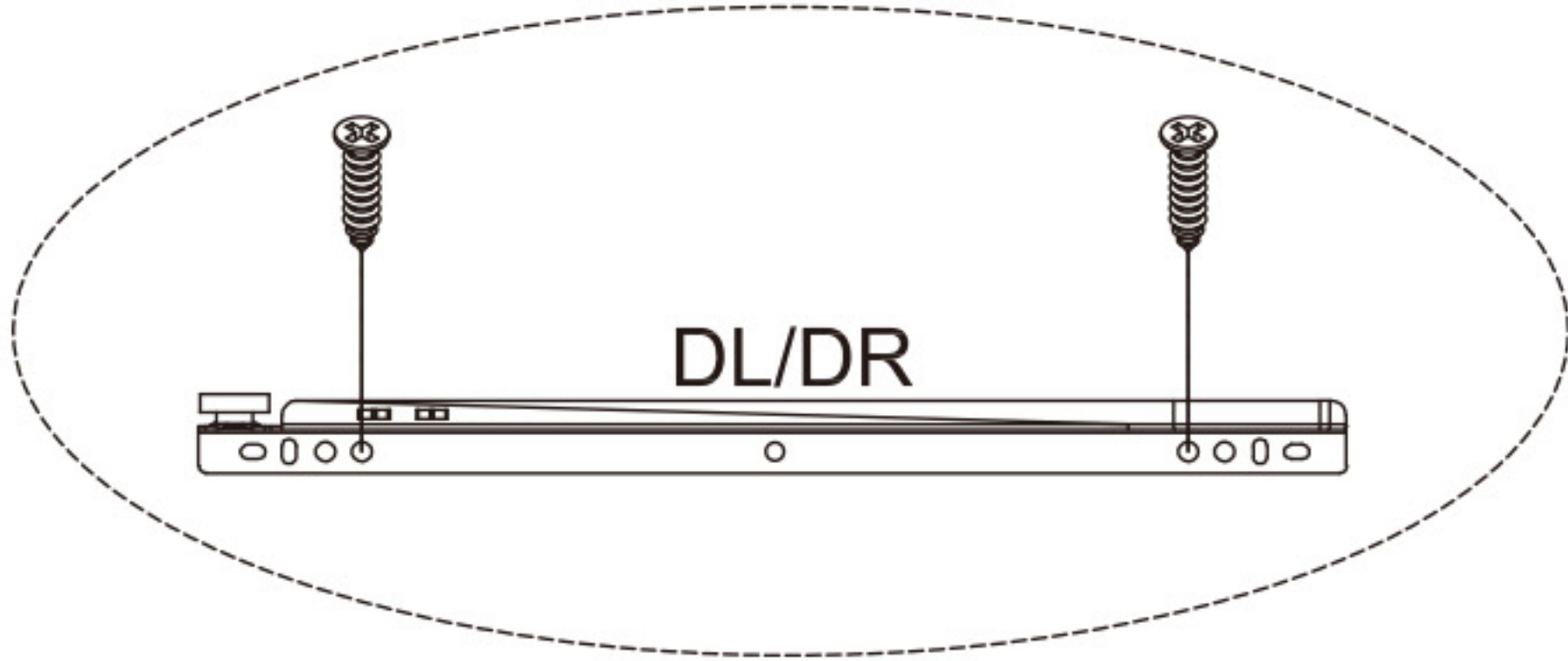
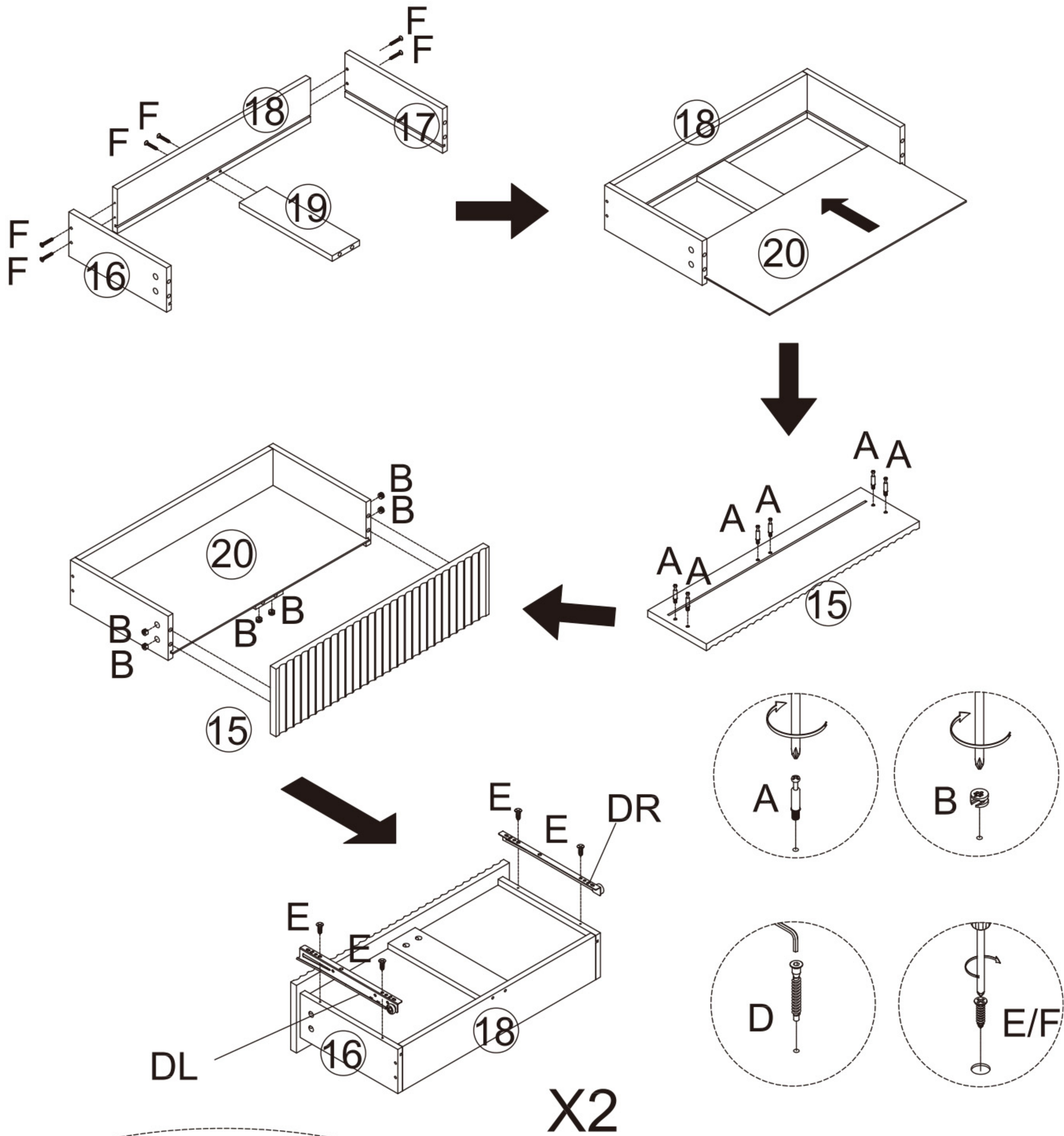


A  x8

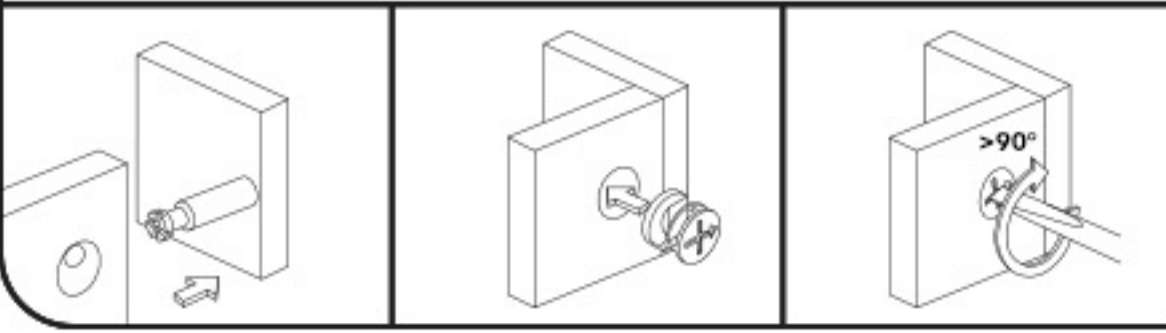
B  x8

Assembly Steps

11 The following steps need to be executed 2 times

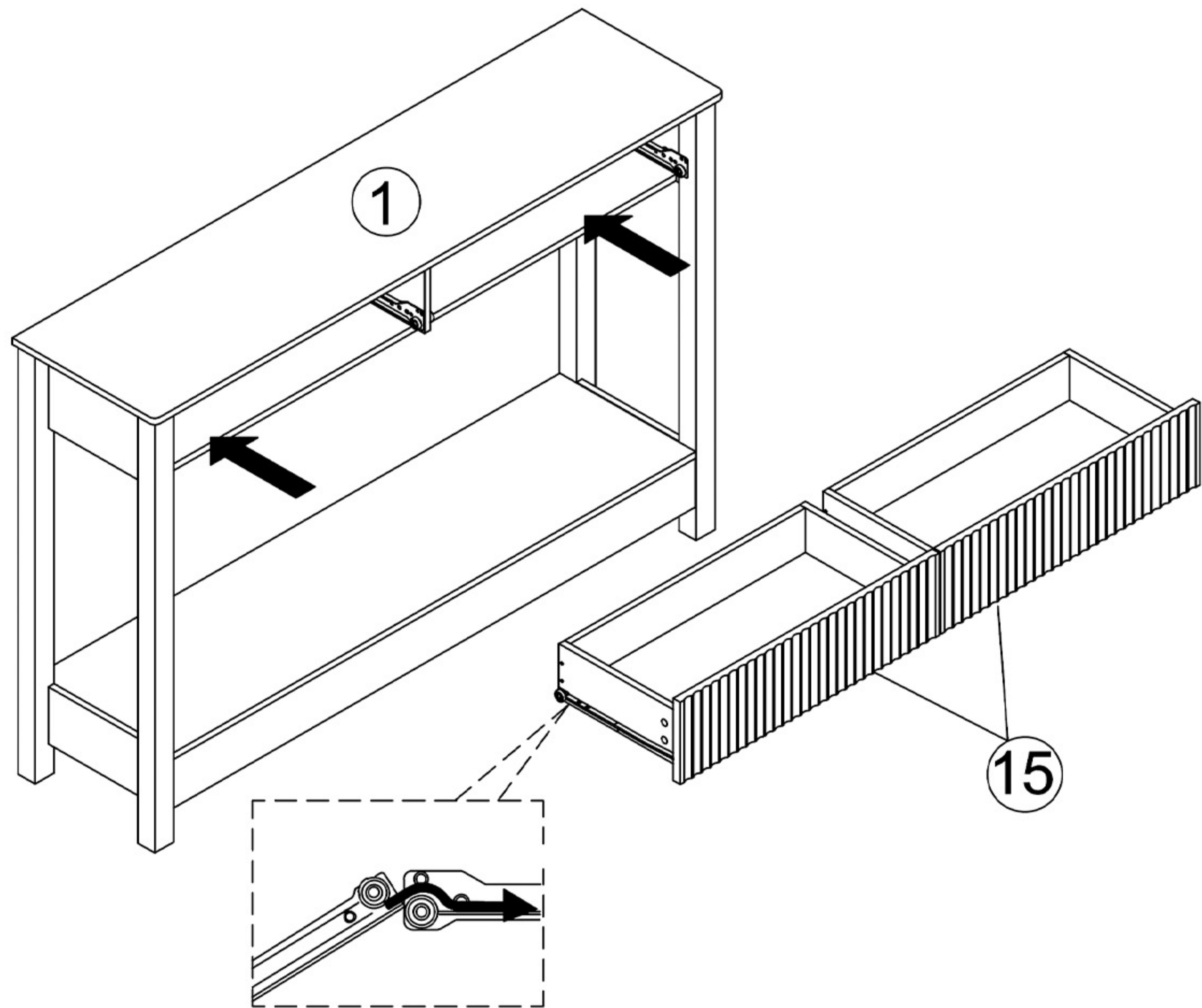


F		x12	E		x8
DR		x2	A		x12
DL		x2	B		x12



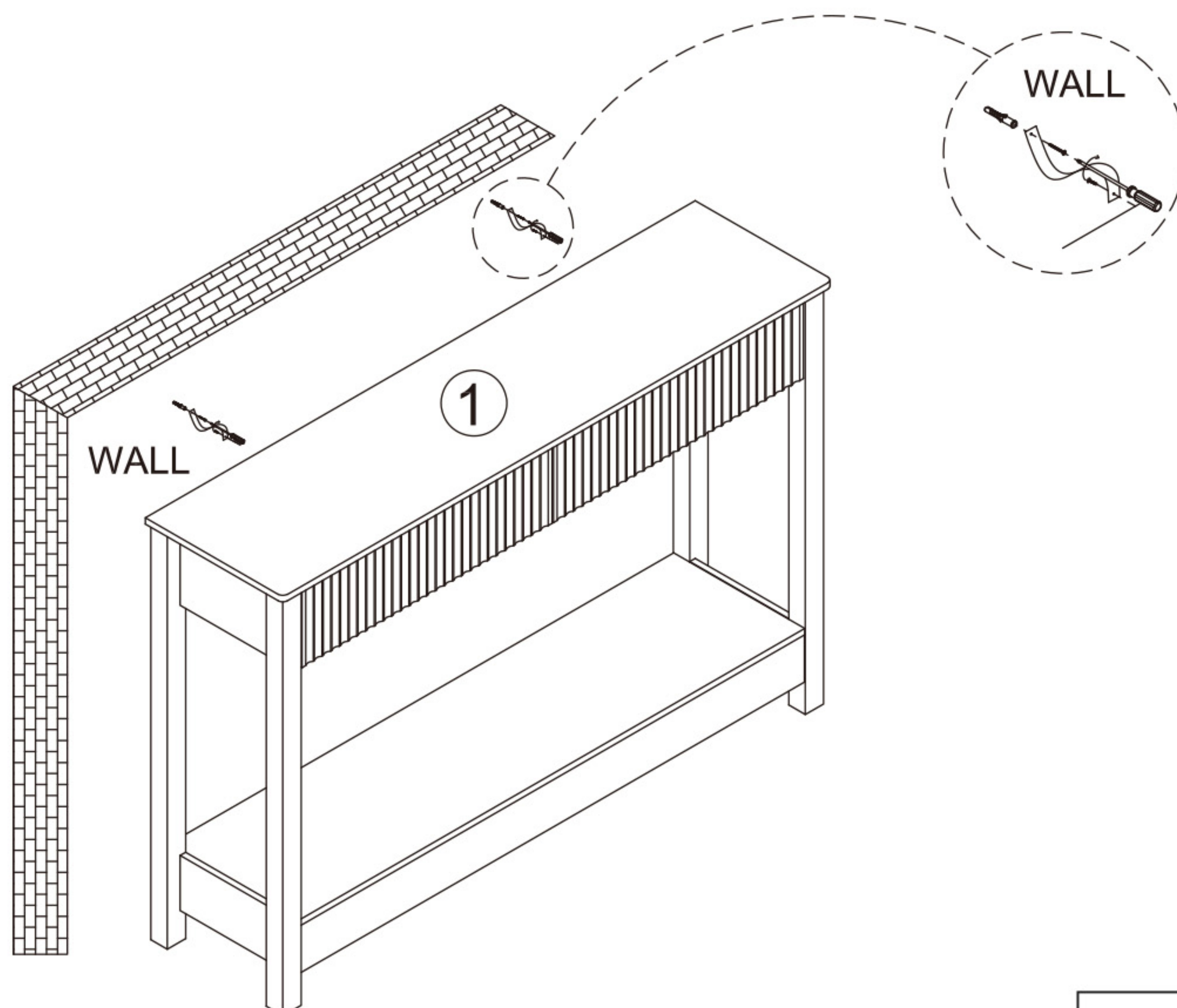
Assembly Steps

12



13

NOTE: For safety reasons, it is recommended to install safety wall strap to fix the item.



G



x2

For after-sales support

If you encounter any issues.

Please contact us in the following ways:

1. Contact us via our email: patiochicservice@outlook.com
 2. Contact us via our phone: [+1 888-572-2312](tel:+18885722312)
-

working time: Monday to Friday:

EST(Eastern Standard Time) 9am-12am, 1pm-6pm

3. Go to Your Orders ☒ Click "Contact Seller" to describe the issue.