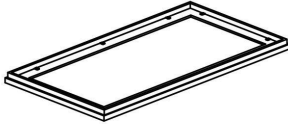


# ASSEMBLY INSTRUCTION

## RECTANGLE COCKTAIL

---

**A** Table Top



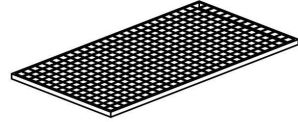
1 pc

**B** Table Leg



4 pcs

**C** Table Shelf



1 pc

---

**D** Bolt with Lock  
Washer and Flat  
Washer  
1/4", 5/8"



16 pcs

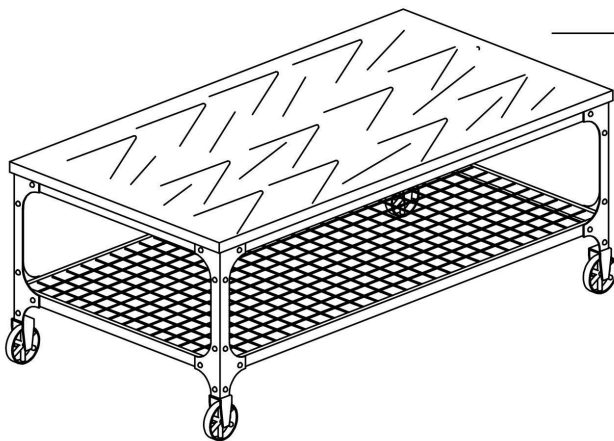
**E** Allen Wrench



1 pc

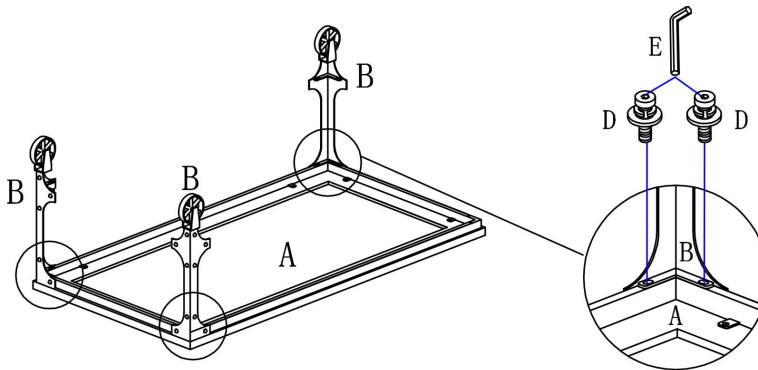
---

This page lists all the contents included in the box. Please take the time to identify the hardware as well as the individual components to this product. As you unpack and prepare for assembly, place the contents on a carpeted or padded area to protect them from damage.

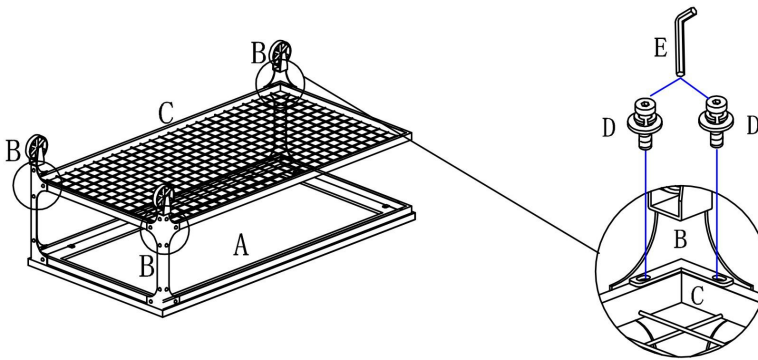


**1**

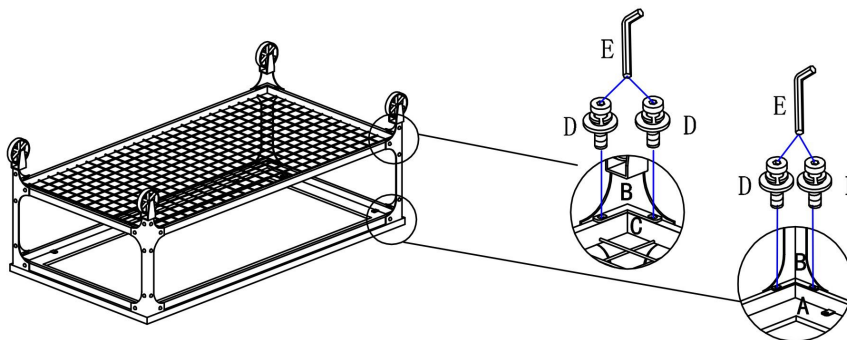
Place and face down Table Top ( A ) on a stable and smooth surface, attach 3 Table Leg ( B ) firstly to the Table Top ( A ), using Bolt with Lock Washer and Flat Washer ( D ) and Allen Wrench ( E ).

**2**

Attach Table Shelf ( C ) to the 3 Table Leg ( B ), using Bolt with Lock Washer and Flat Washer ( D ) and Allen Wrench ( E ).

**3**

Assemble the last one Table Leg ( B ) to the Table Top ( A ) and Table Shelf ( C ), using Bolt with Lock Washer and Flat Washer ( D ) and Allen Wrench ( E ). Finally tighten all bolts with Allen Wrench ( E ).



### Cleaning & Care

Treat surface with care. Surface is resistant to scratches but is not scratch resistant. Clean surfaces with a dry or damp soft cloth. Do not use abrasive cleaners. Hardware may loosen over time. Periodically check that all connections are tight.