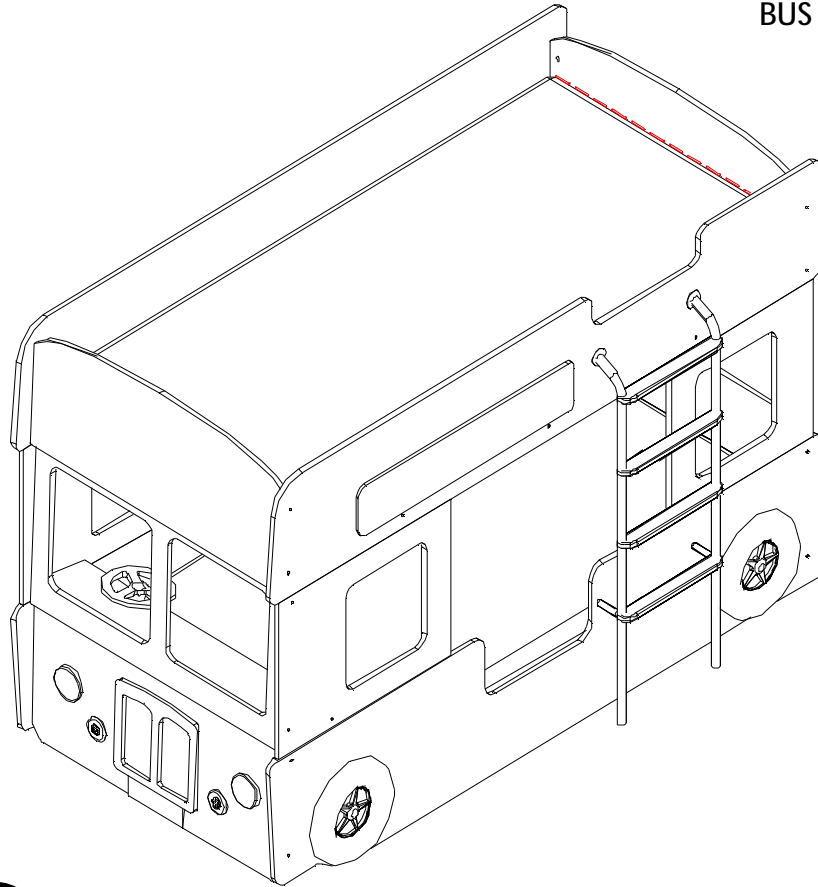
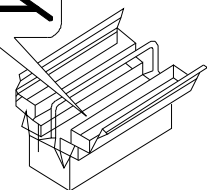
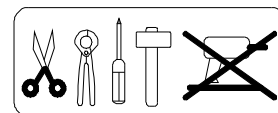
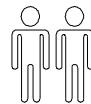


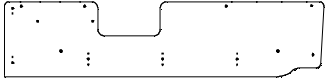

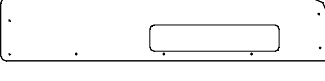
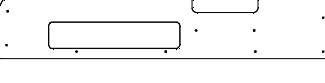
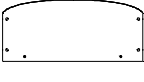
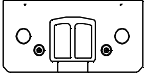
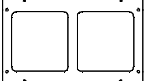
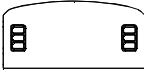
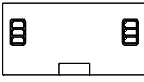

BUS BUNK BED

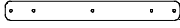
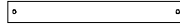

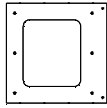
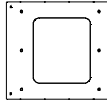
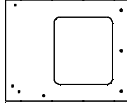
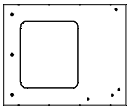


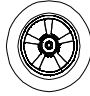
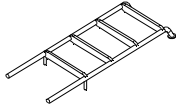

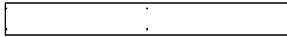


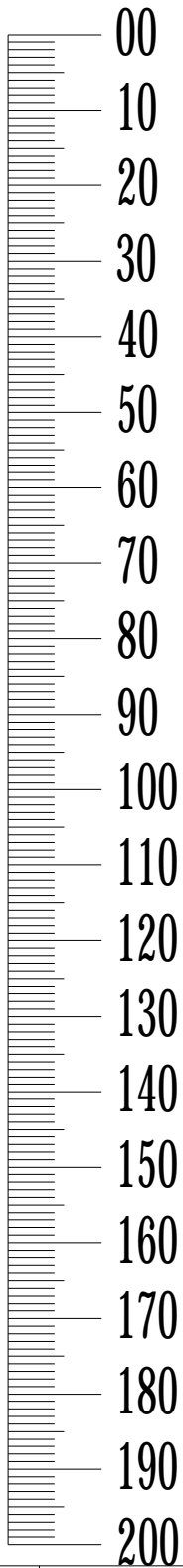
- | | |
|---------------------------------------|-----------------------------------|
| D Montageanleitung | GB Assembly instructions |
| NL Handleiding voor de montage | PL Instrukcja montażu |
| TR Montaj talimatı | RU Инструкция по монтажу |
| FR Notice de montage | IT Istruzioni di montaggio |
| CS Montážní návod | SK Návod na montáž |
| HU Szerelési útmutató | RO Instrucțiuni de montaj |

FR CONFORME AUX EXIGENCES DE SECURITE
EN MEETS SAFETY STANDARDS
DE ERFÜLLT DIE SICHERHEITSANFORDERUNGEN
ES CONFORME A LAS NORMAS DE SEGRIDAD
PT EM CONFORMIDADE COM OS REQUISITOS DE
SEGURANCA
IT CONFORME AI REQUISITI DI SICUREZZA
NL VOLDOET AAN DE VEILIGHEIDSNORMEN



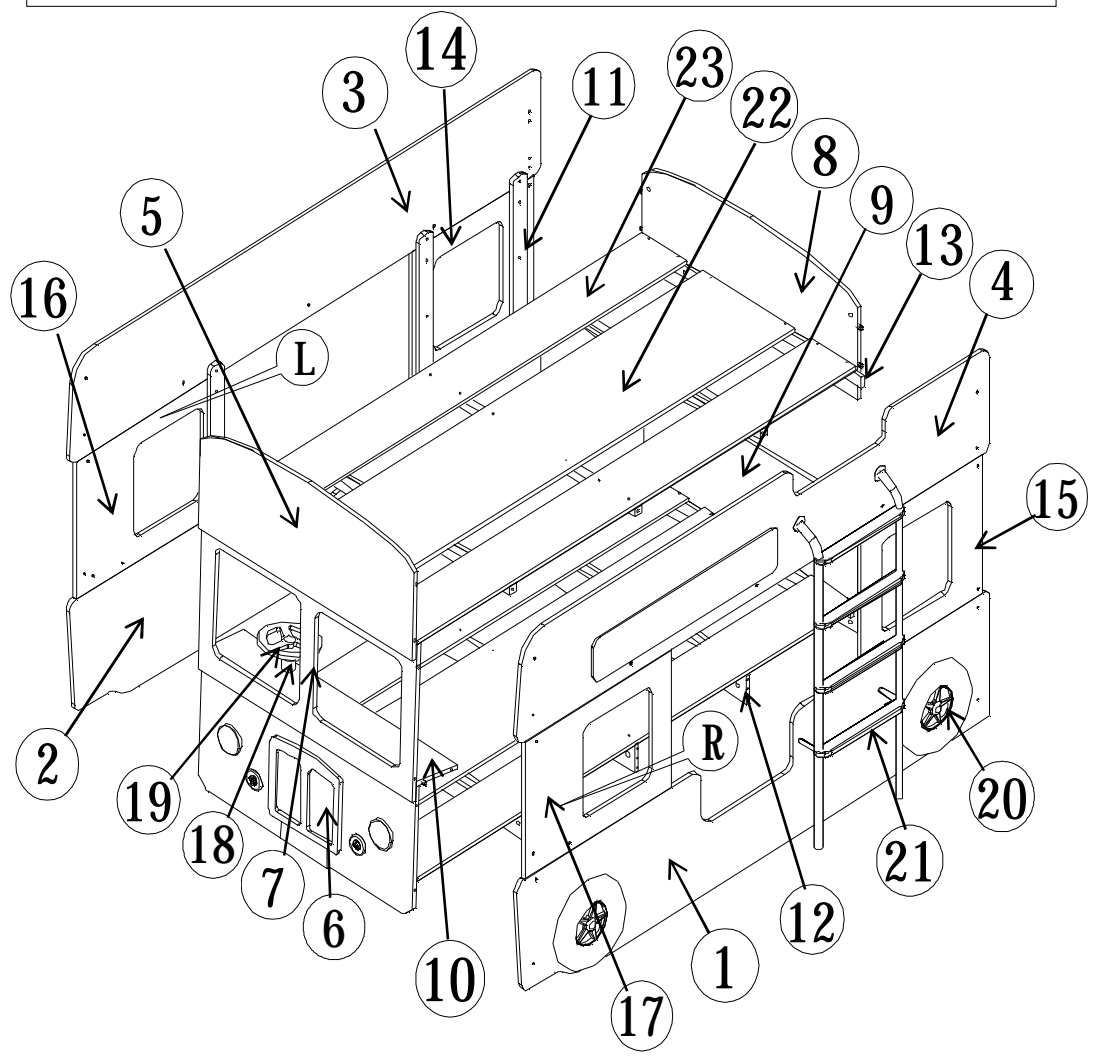
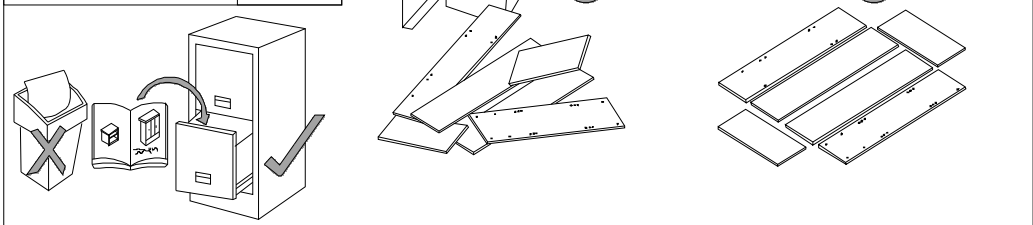
ITEM NO.	MEASUREMENT	QTY	SHAPE	CARTON NO.
①	2150 X 440 X 15	X1		1-5
②	2150 X 440 X 15	X1		1-5
③	2150 X 360 X 25	X1		1-5
④	2150 X 360 X 25	X1		1-5
⑤	930 X 375 X 15	X1		2-5
⑥	930 X 450 X 30	X1		2-5
⑦	930 X 540 X 15	x1		2-5
⑧	930 X 400 X 15	x1		2-5
⑨	930 X 430 X 15	x1		2-5
⑩	930 X 180 X 15	x1		2-5


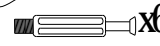





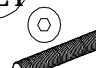




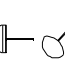

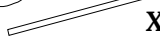

ITEM NO.	MEASUREMENT	QTY	SHAPE	CARTON NO.
⑪	560 X 60 X 15	x6		2-5
⑫	930 X 98 X 15	x3		2-5
⑬	900 X 40 X 15	x3		2-5
⑭	530 X 480 X 15	x1		3-5
⑮	530 X 480 X 15	x1		3-5
⑯	640 X 480 X 15	x1	 (L)	3-5
⑰	640 X 480 X 15	x1	 (R)	3-5
⑱	45 X 45 X 35	x1		3-5
⑲	230 X 230 X 12	x1		3-5
⑳	292 X 292 X 18	x4		4-5
㉑	1105 X 385 X 125	x1		4-5
㉒	2007 X 400 X 12	x2		5-5
㉓	2007 X 198 X 12	x4		5-5

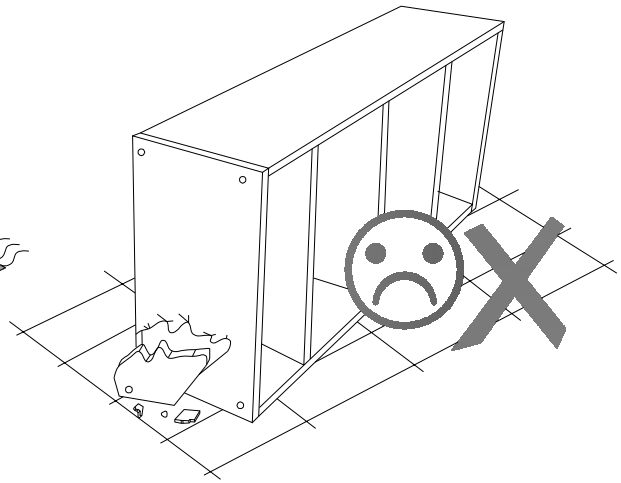
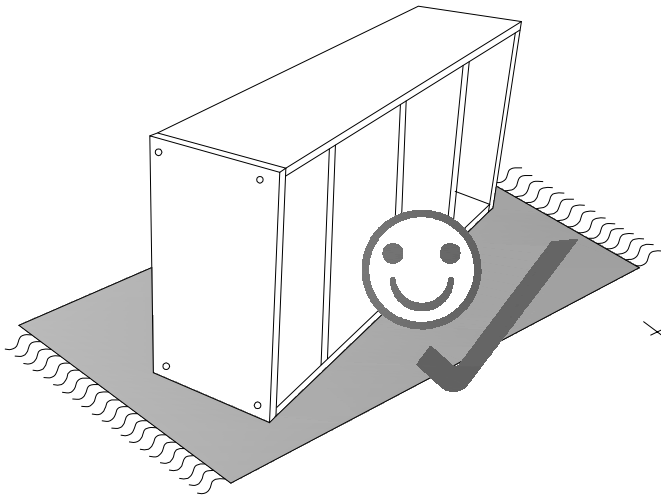


Service • Asistenza • Dienstverlening • Servis
 Servis • Szerviz • Сервисная служба

Name • Nom • Nome • Naam • Nazwa • Jméno • Názov • Név • Denumire • Isim • Название	
Nr. • No. • N° • Номер • Číslo	
Typ • Type • Tipe • Tipus • Тип	



- | | | | | | |
|--|---|---|---|--|---|
| A  x6 | B  x6 | C  10x11 x26 | D  8x30 x54 | E1  6x25 x53 | E2  6x30 x10 |
| E3  6x50 x26 | E4  6x70 x1 | F  Spanner x1 | G  11x6x5 x1 | H  20x7x1 x2 | I  3.5x29 x30 |
| J  x4 | K  x1 | L  x2 | M  Allen Key x1 | | |



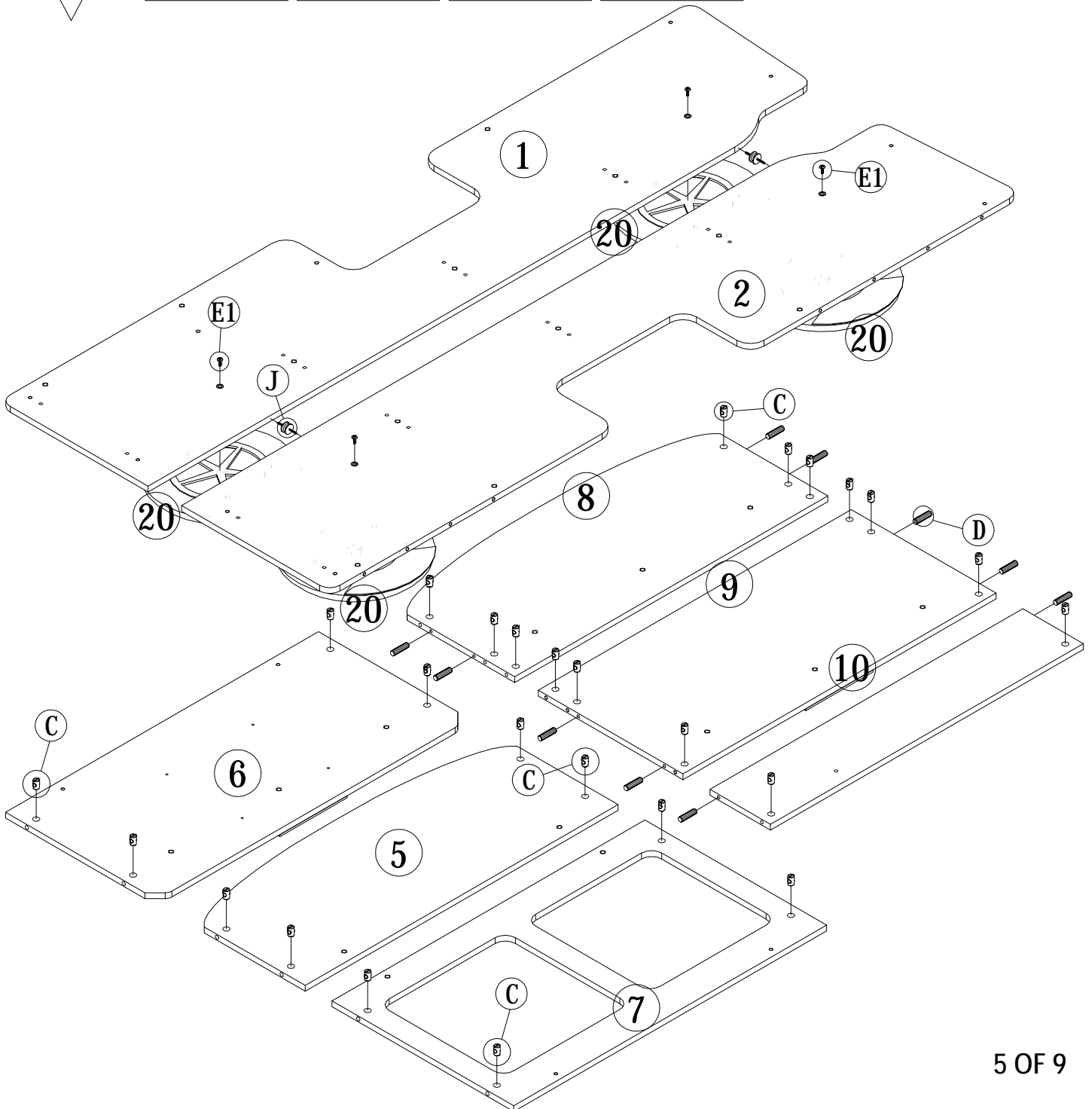
1

C 10x11 x26

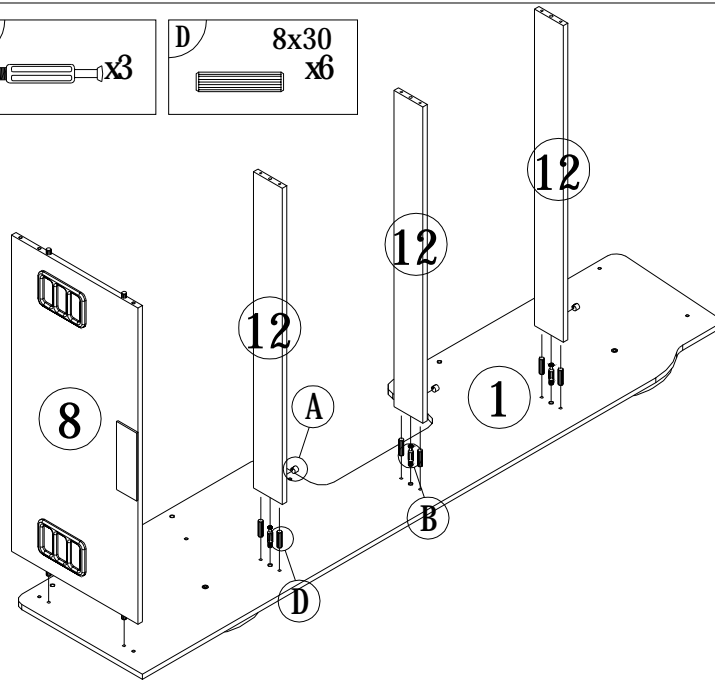
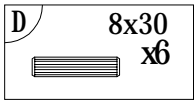
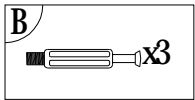
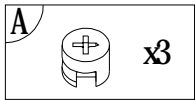
D 8x30 x10

E1 6x25 x4

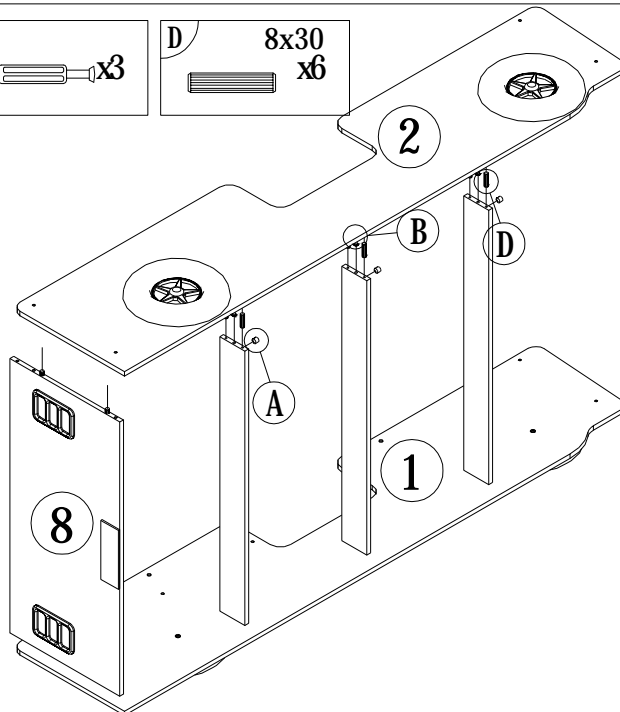
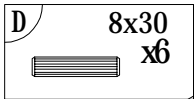
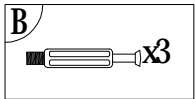
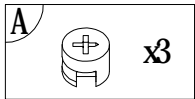
J x4



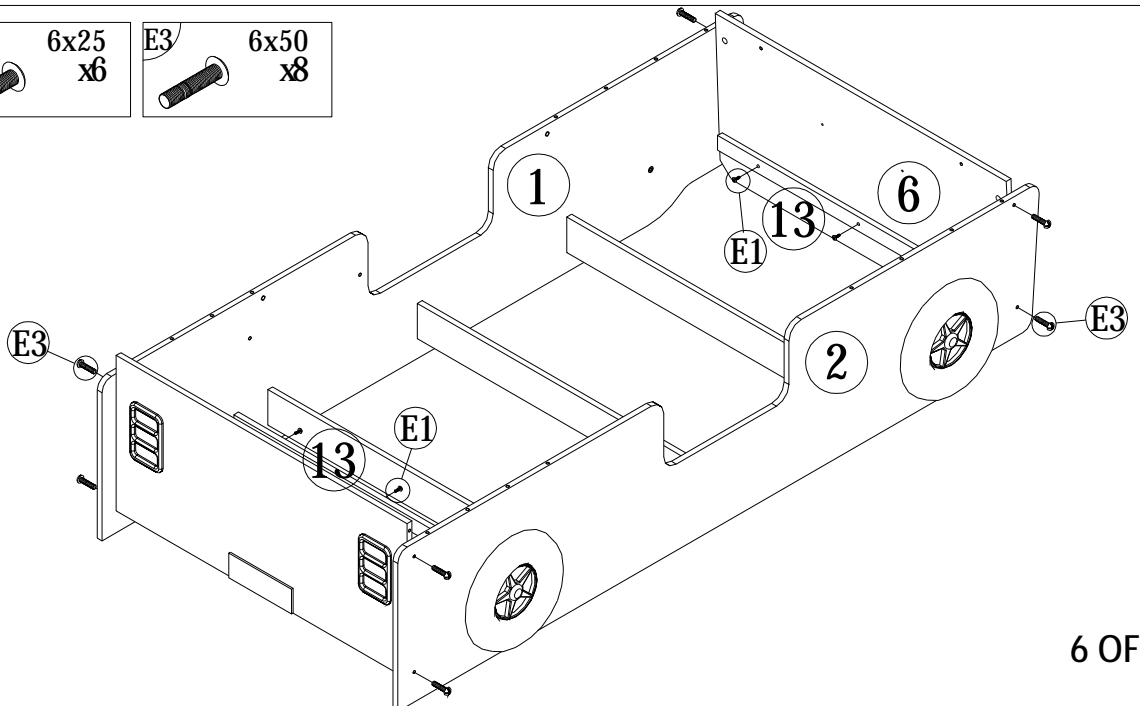
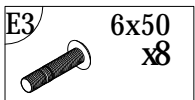
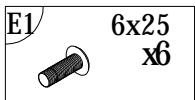
2



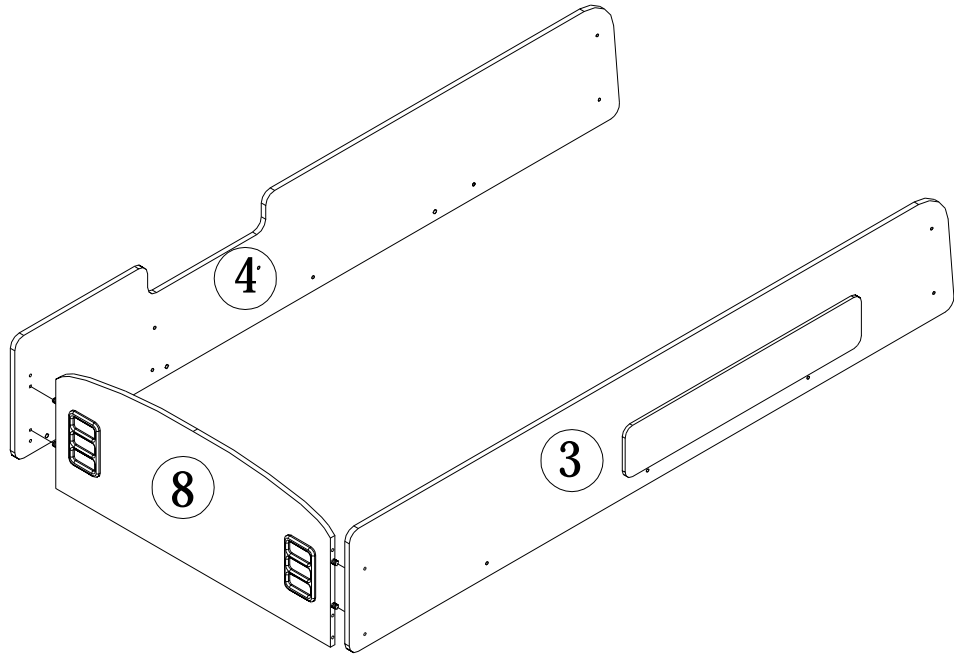
3



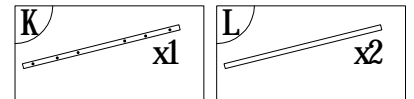
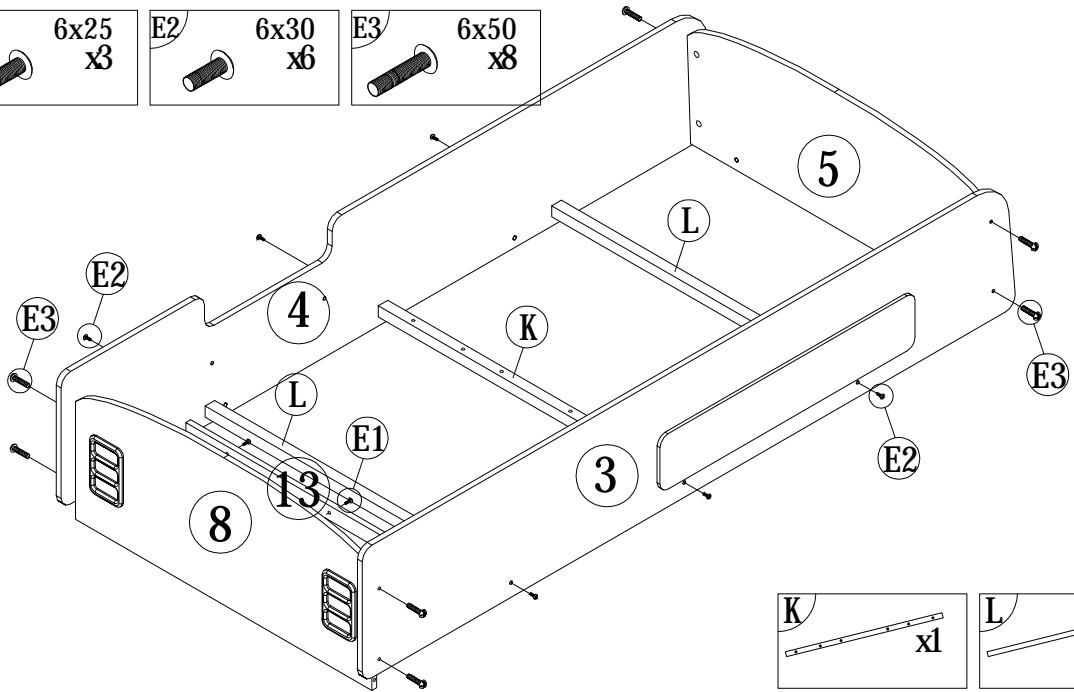
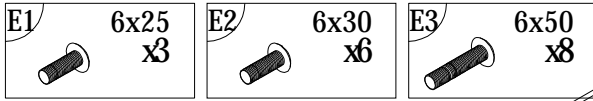
4



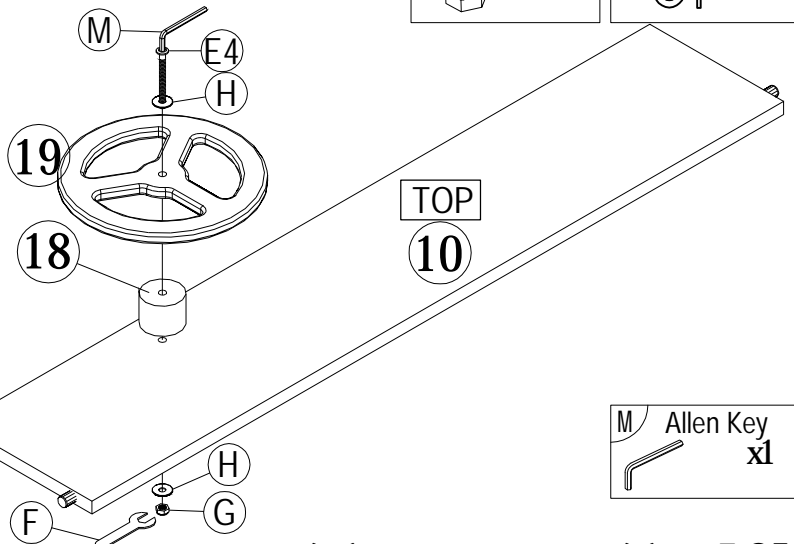
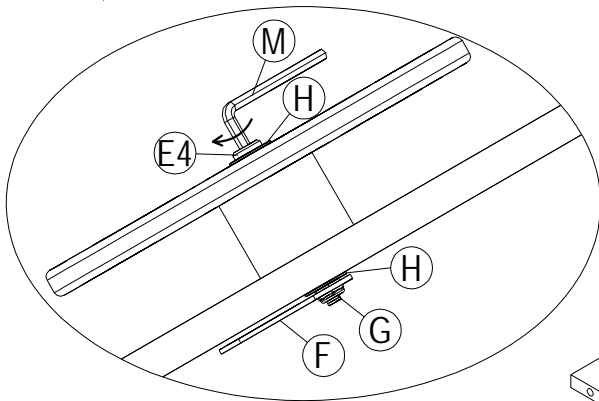
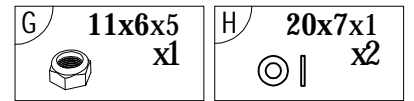
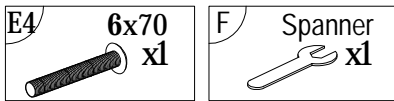
5



6



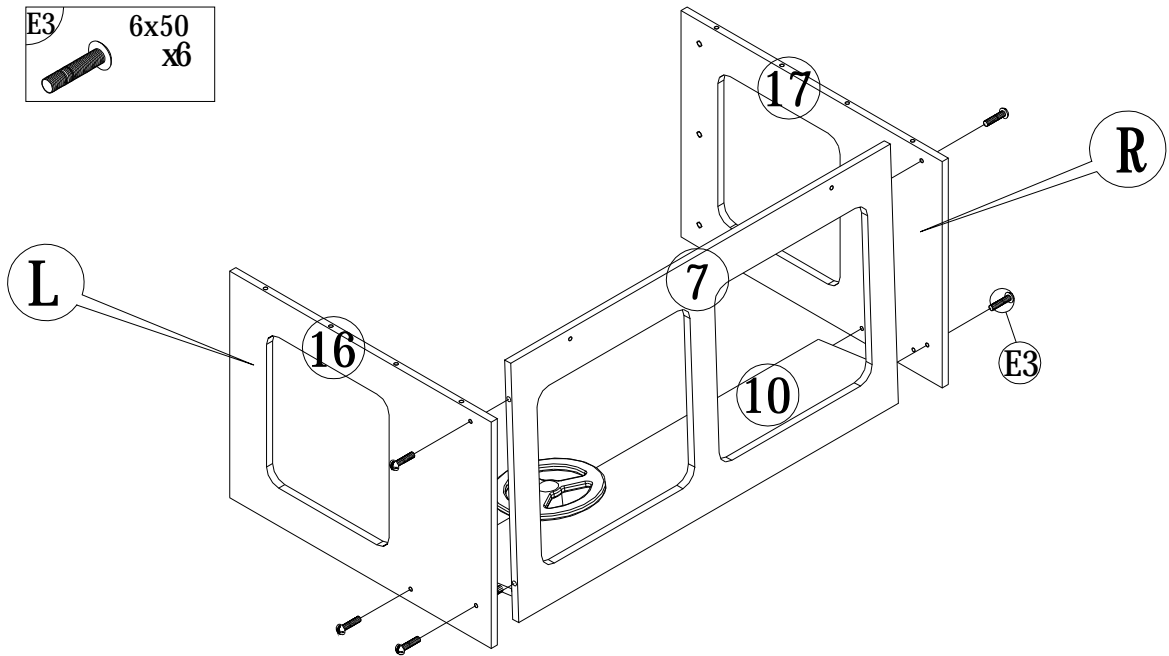
7



Using the Spanner (F) and Allen Key (M), ensure that the Bolt (E4) and Locking Nut (G) are securely fixed and that the wheel can still turn freely. 7 OF 9

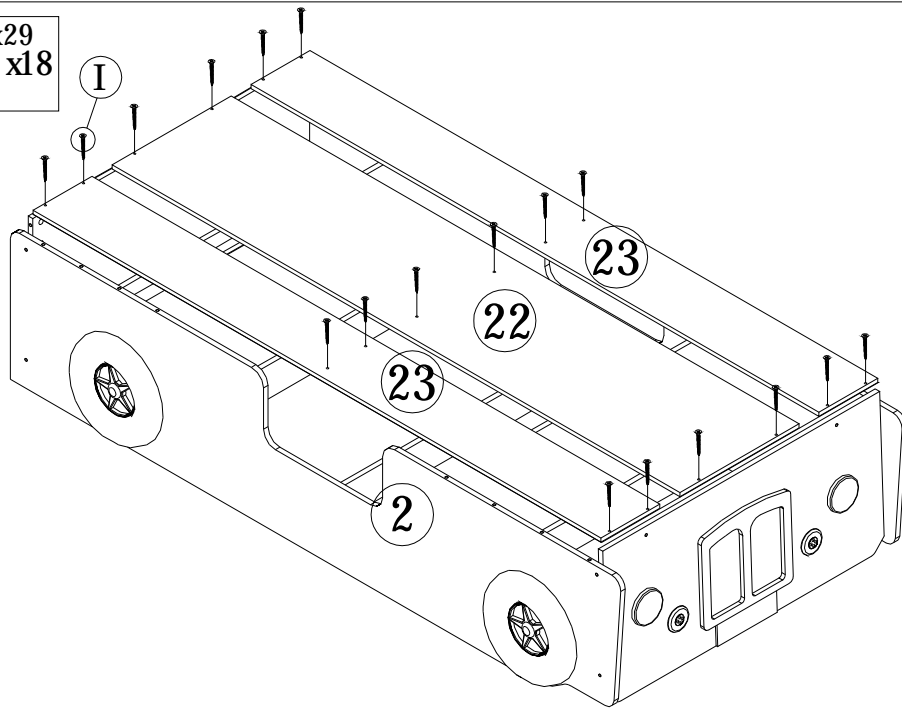
8

E3 6x50 x6



9

I 3.5x29 x18

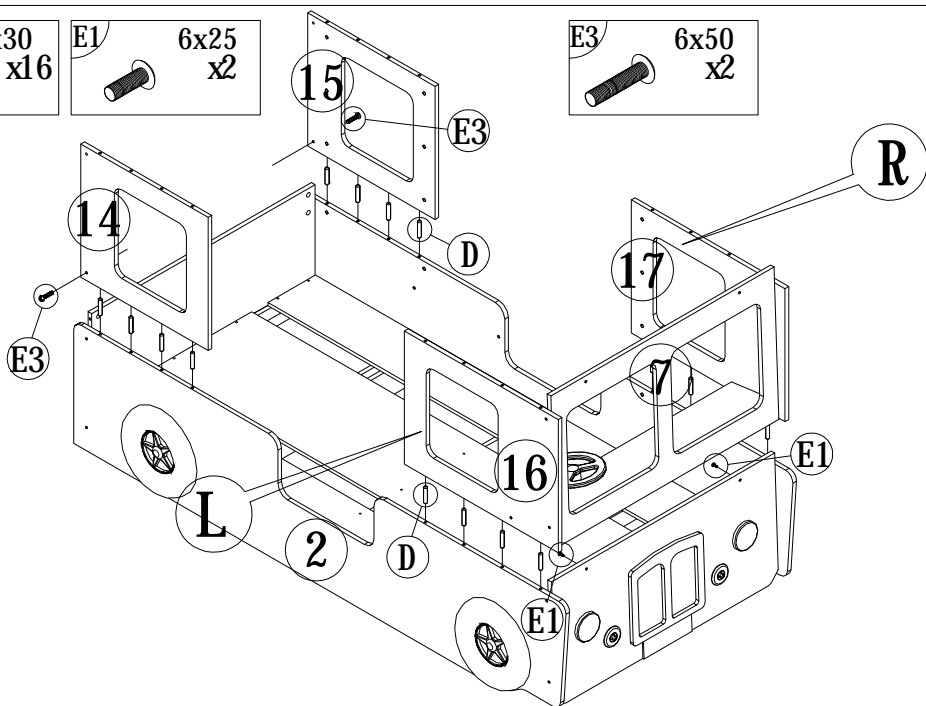


10

D 8x30 x16

E1 6x25 x2

E3 6x50 x2

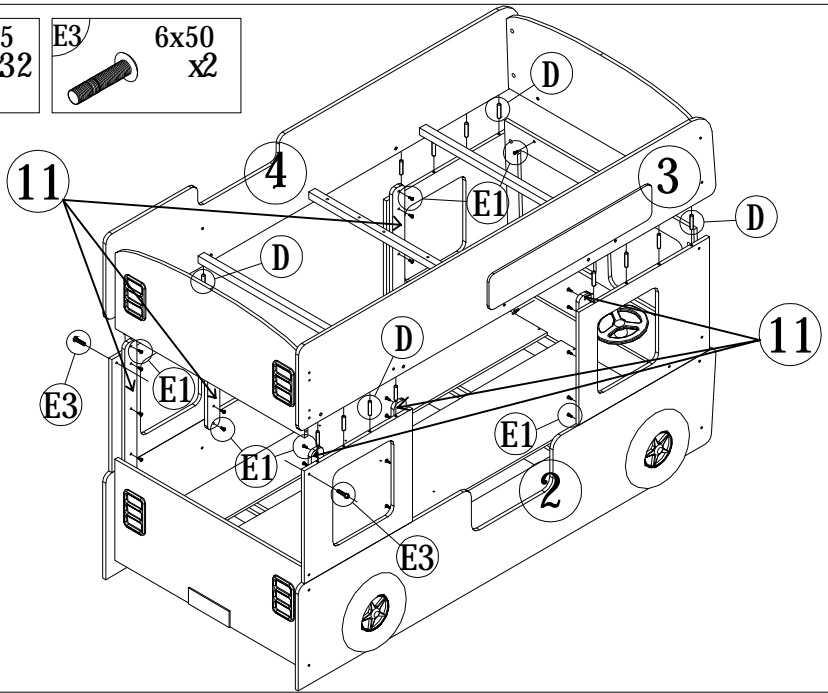


11

D 8x30 x16

E1 6x25 x32

E3 6x50 x2



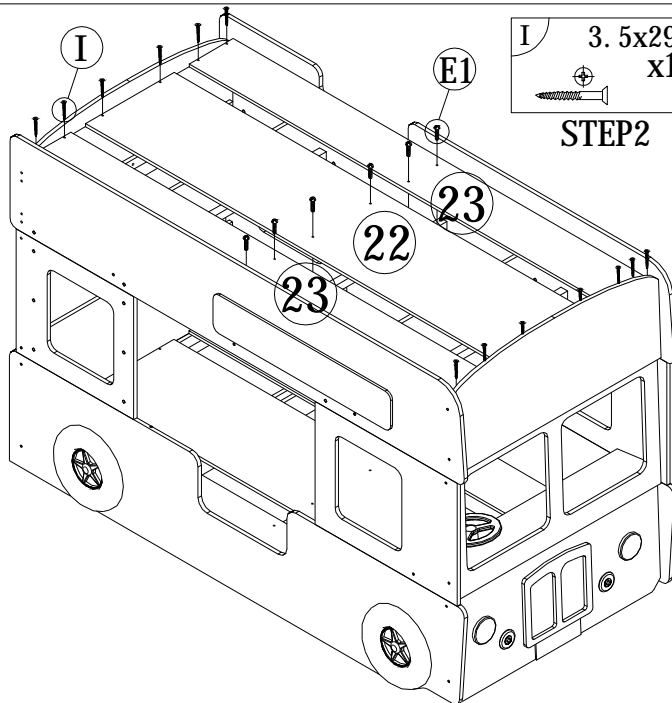
12

E1 6x25 x6

STEP1

I 3.5x29 x12

STEP2



13

E2 6x30 x4

