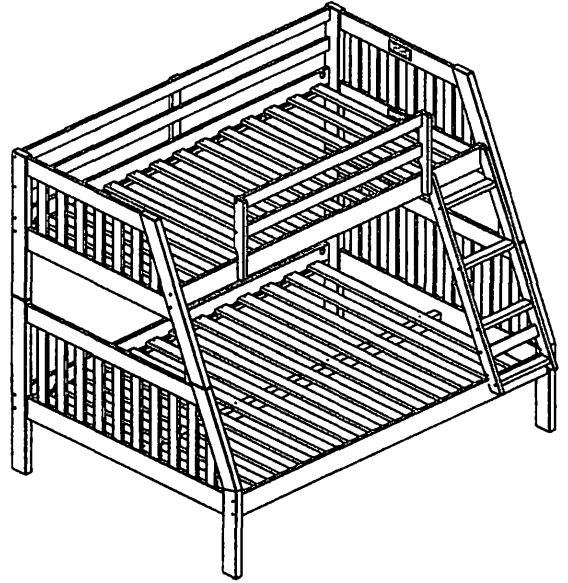


ASSEMBLY INSTRUCTIONS

TWIN FULL MISSION BUNK BED

Thank you for purchasing this quality product. Be sure to check all packing materials carefully for small parts which may have come loose inside the carton during shipment. Separate, identify and count all parts and hardware. Compare with the parts list to be sure all parts are present.



**“DO NOT TIGHTEN SCREWS
UNTIL COMPLETELY ASSEMBLED”**

SIZE OF MATTRESS AND FOUNDATION (SUPPORT)

This bed is designed to use a twin mattress (37 ½”- 38 ½” x 74 - 75”) and bunkie board (37 ½” x 74”) low bed is designed to use a full mattress (53 ½”- 54 ½”- 54 ½” x 74”- 75”) and bunkie board 53 ½”-74”. The total thickness must not exceed 9” inches.

Note: There must be at least 5” inches from top surface of mattress to top edge of guardrails.

REPLACEMENT PARTS.

Replacement parts, including additional guardrails, may be obtained from place of purchase or original distributor.

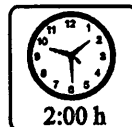
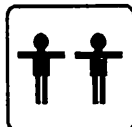
TO OBTAIN PARTS, PLEASE CONTACT: DONCO TRADING COMPANY - FORT WORTH, TEXAS

SAFETY WARNINGS!

- 1- Follow the information on the warning label appearing on the upper bunk end structure and on the carton. Do not remove warning label from bed.
- 2- Always use the recommended size mattress or mattress supporte, or both, to help prevent the likelihood of entrapment or falls.
- 3- Surface of mattress must be at least 5 inches below the upper edge of guardrails.
- 4- Do not allow children under 6 years of age to use the upper bunk.
- 5- Prohibit more than one person on upper bunk.
- 6- Periodically check and ensure that the guardrail, ladder and other components are in their proper position free from damage, and that all connectors are tight.
- 7- Do not allow horseplay on or under the bed and prohibit jumping on the bed.
- 8- Always use the ladder for entering and leaving the upper bunk.
- 9- Do not use substitute parts. Contact distributor or dealer for replacement parts.
- 10- Use of a night light may provide added safety precaution for a child using the upper bunk.
- 11- If the bunk bed will be placed next to a wall, the guardrail that runs the full length of the bed should be placed against the wall to prevent entrapment between the bed and the wall.
- 12- Always use guardrails on both long sides of the upper bunk.
- 13- The use of water or sleep flotation mattresses is prohibited.
- 14- Keep these instructions for future reference.
- 15- Strangulation Hazard - Never attach or hang items to any part of the bunk bed that are not designed for use with the bed: for example, but not limited to, hooks, belts, and jump ropes, etc.



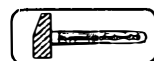
▲
* Use of power tool to assemble this product will invalidate any claim and damage this product making unsafe !!!
* Please assemble on a clean soft surface to avoid damage.



Tools Required



(Not included)



(Not included)

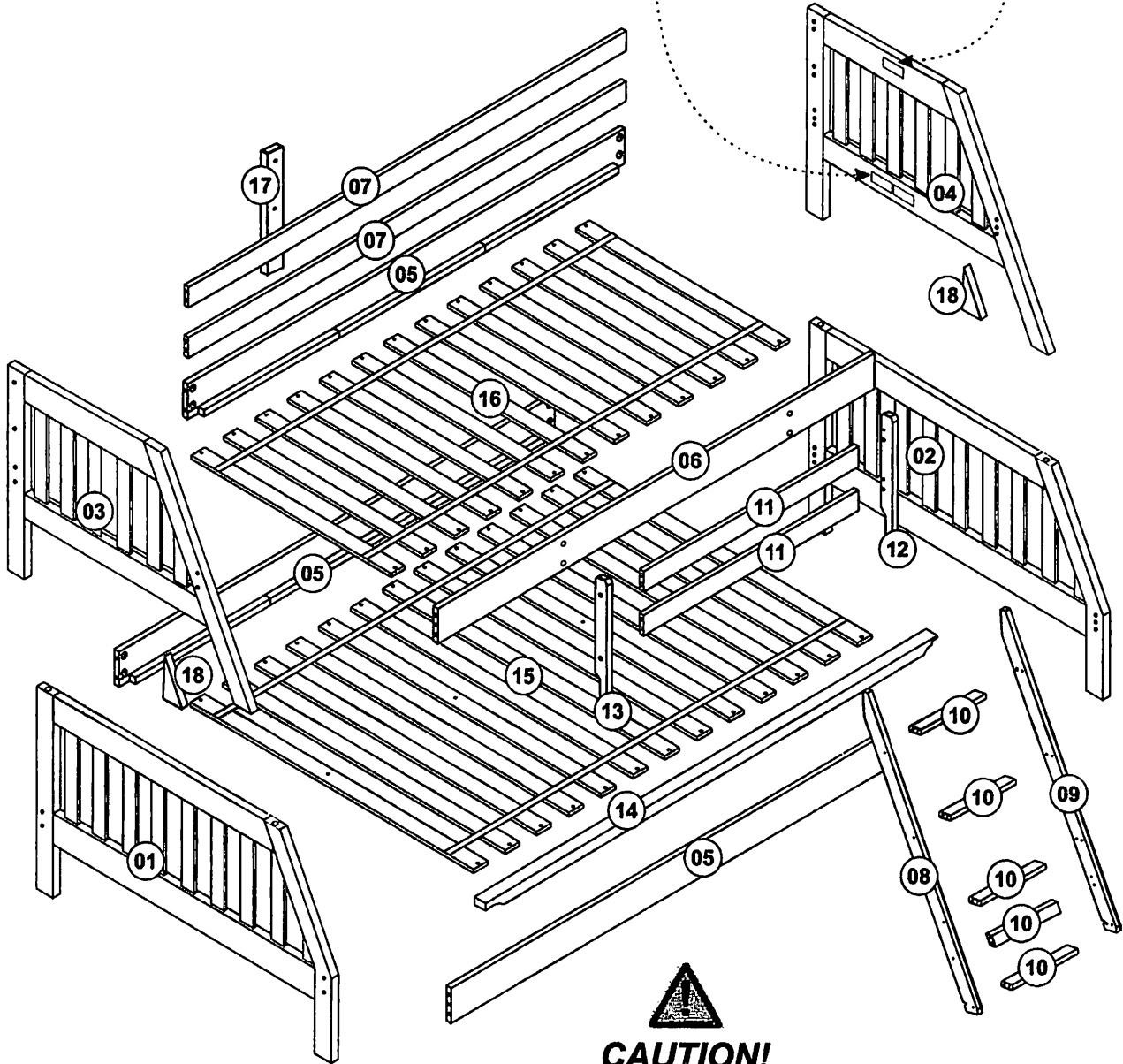


IMPORTANT: PLEASE READ INSTRUCTIONS BEFORE STARTING THE ASSEMBLY

Part List: TWIN FULL MISSION BUNK BED

**CERTIFICATION LABEL
DO NOT REMOVE!**

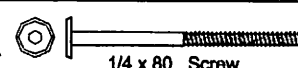

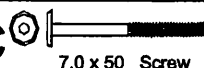
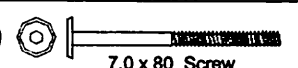
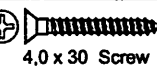

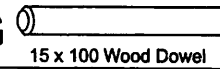
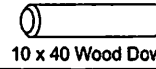
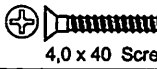
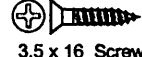


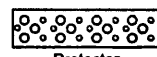
**WARNING LABEL
DO NOT REMOVE!**



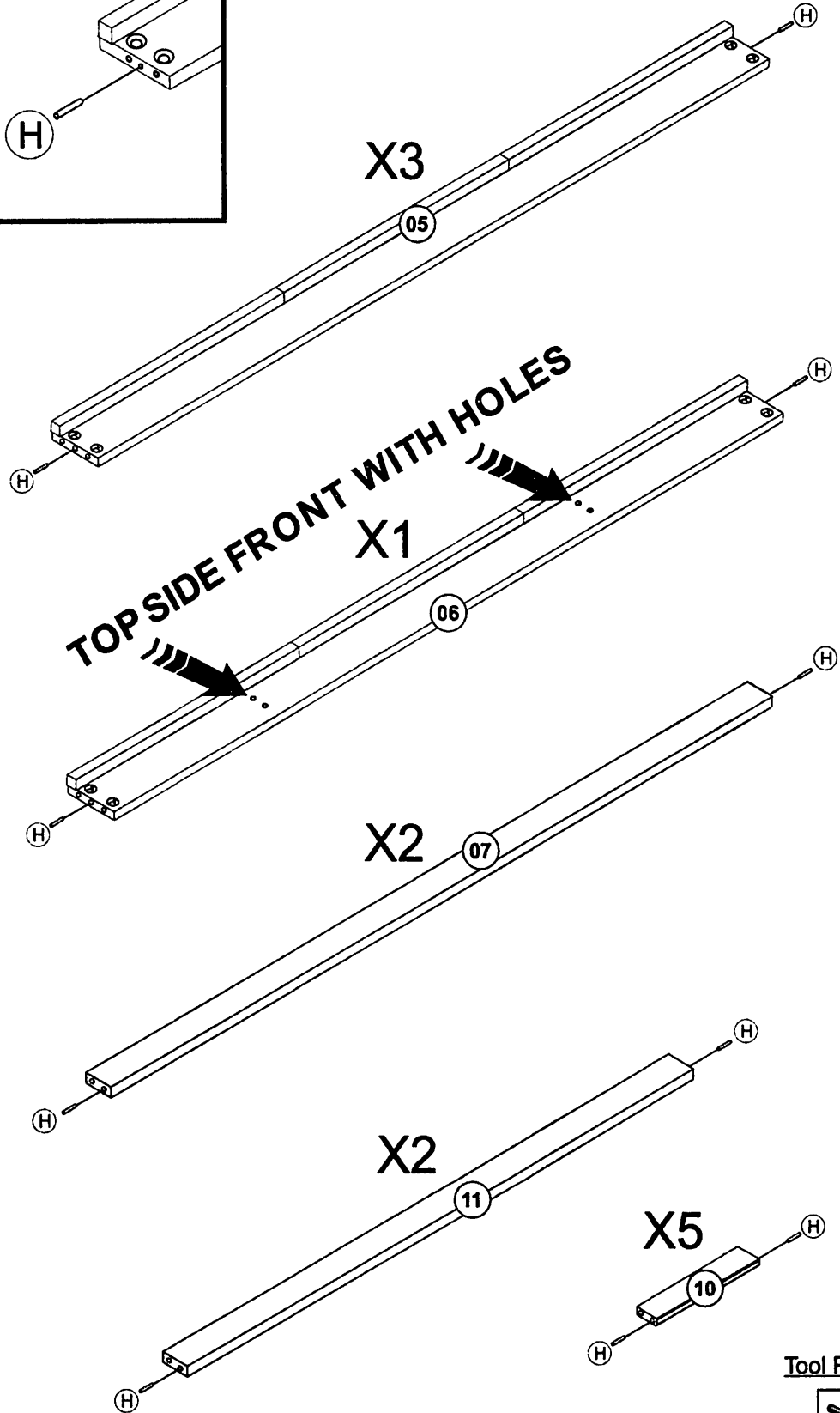
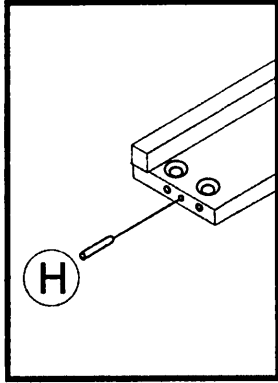
CAUTION!

*Please be careful when assembling this product due the parts are extremely heavy.
Also, please do not allow kids around when assembling this bed to avoid injuries!*

Identifying the Hardware/part list- Identify the hardware using the illustrations below.

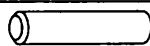
A  Qty 16 1/4 x 80 Screw	B  Half Moon Qty 16 1/4\"	C  Qty 18 7,0 x 50 Screw	
D  Qty 04 7,0 x 80 Screw	E  Qty 63 4,0 x 30 Screw	F  Qty 01 Allen Key	
G  Qty 04 15 x 100 Wood Dowel	H  Qty 26 10 x 40 Wood Dowel	I  Qty 01 4,0 x 40 Screw	
J  Qty 18 3,5 x 16 Screw	K  Qty 02 Hook Ladder	L  Qty 02	M  Qty 02 Protector

01

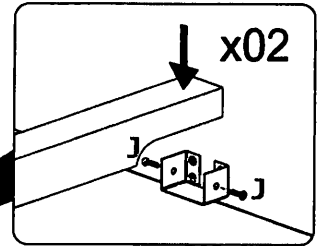
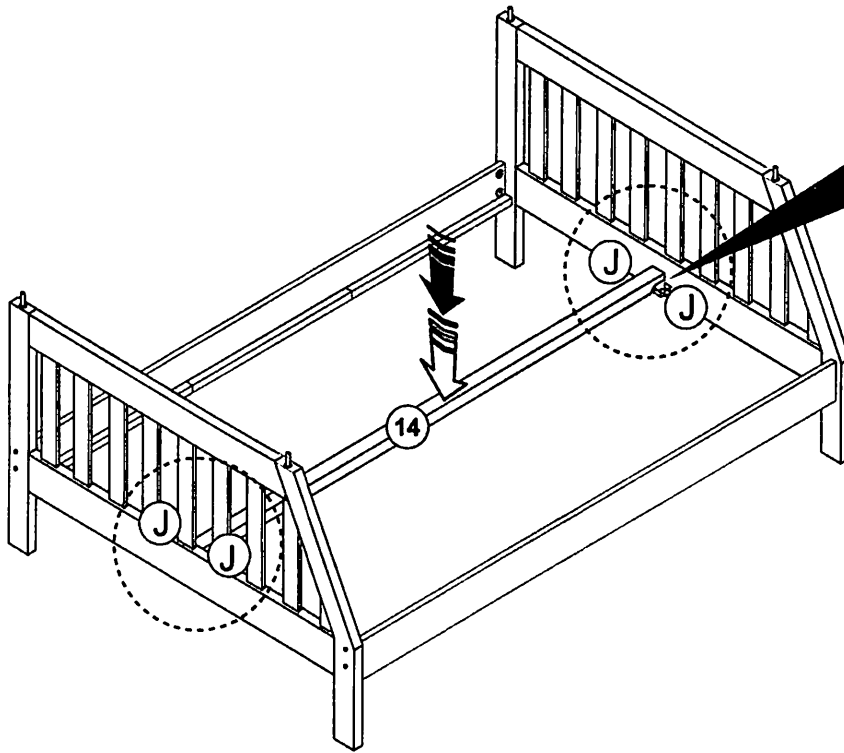


Tool Required



H		Qty
	10 x 40 Wood Dowel	26

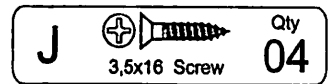
04



Tool Required

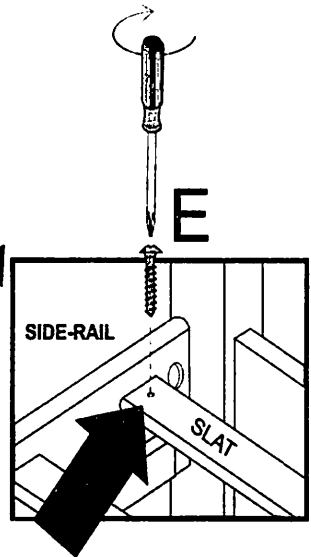
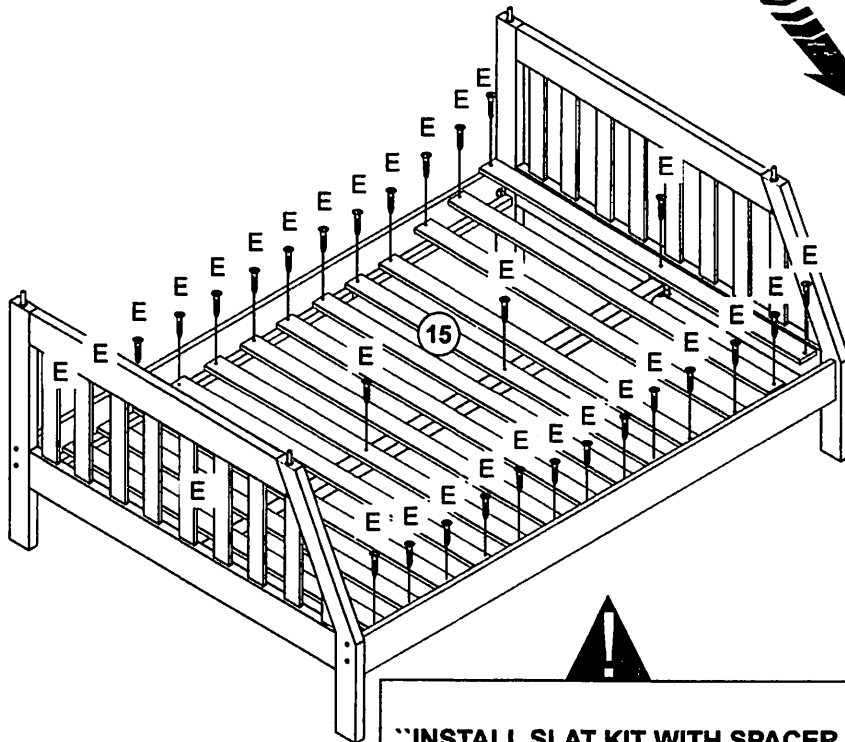


(Phillips Key)



05

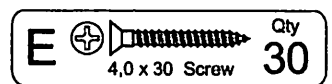
!
The first slats must be fixed at 3" from each headboard end.



Tool Required

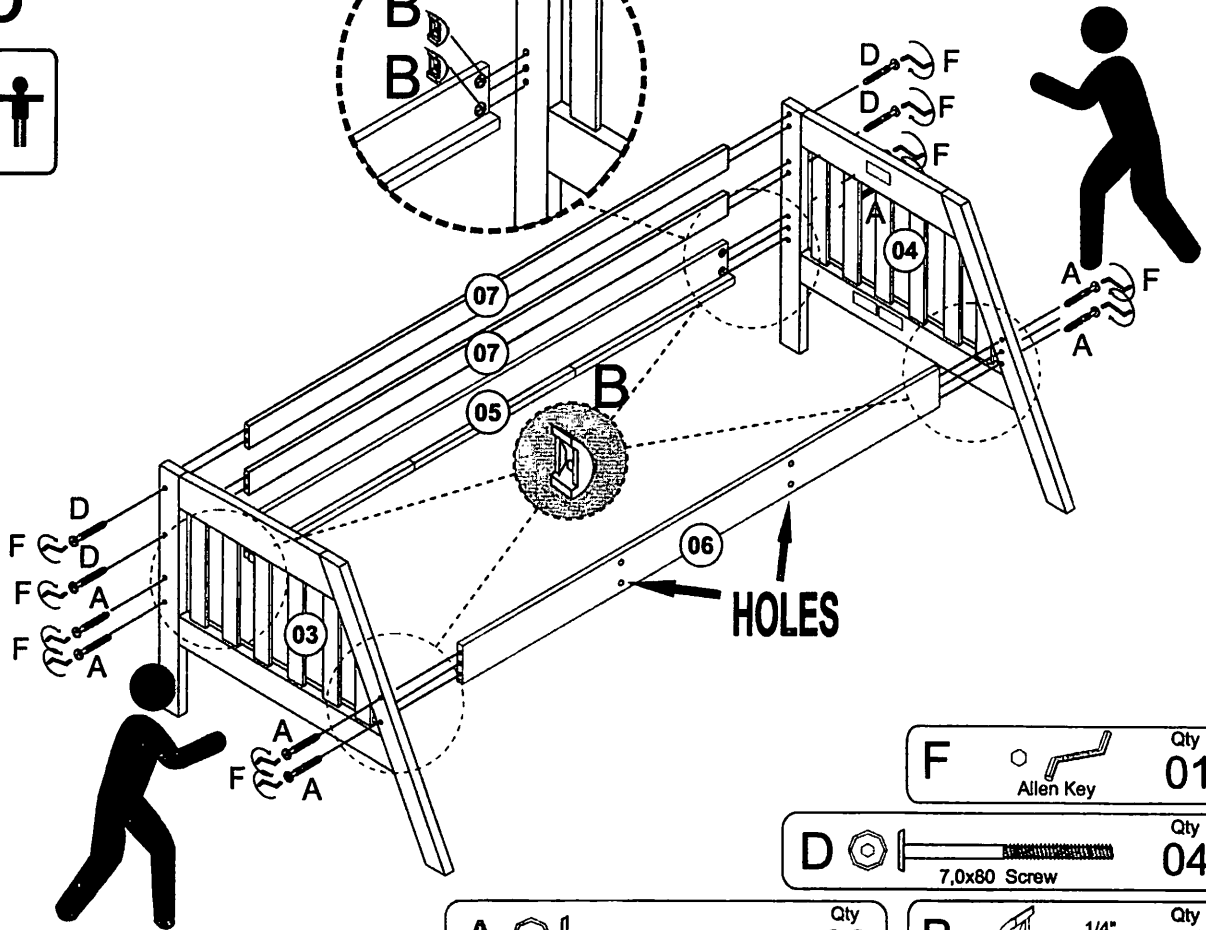
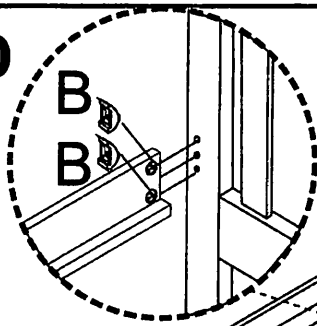


(Phillips Key)



!
"INSTALL SLAT KIT WITH SPACER TAPE ON TOP (FACING UP)"

06 TOP BED



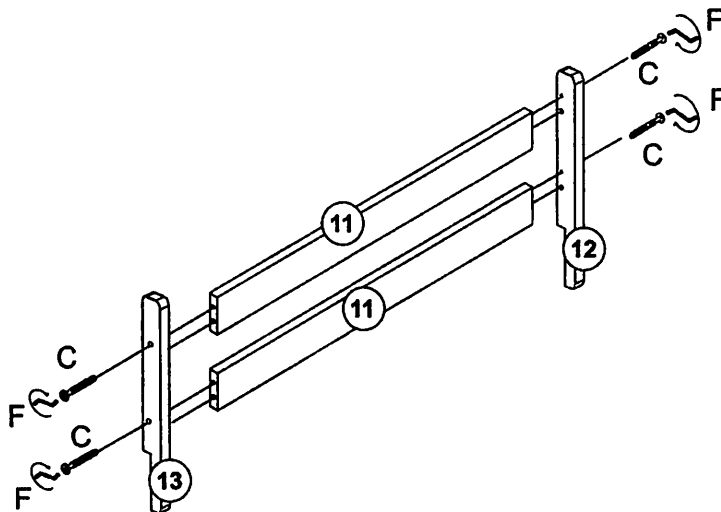
F		Qty
	Allen Key	01

D		Qty
	7,0x80 Screw	04

A		Qty
	1/4 x 80 Screw	08

B		Qty
	1/4" Half Moon	08

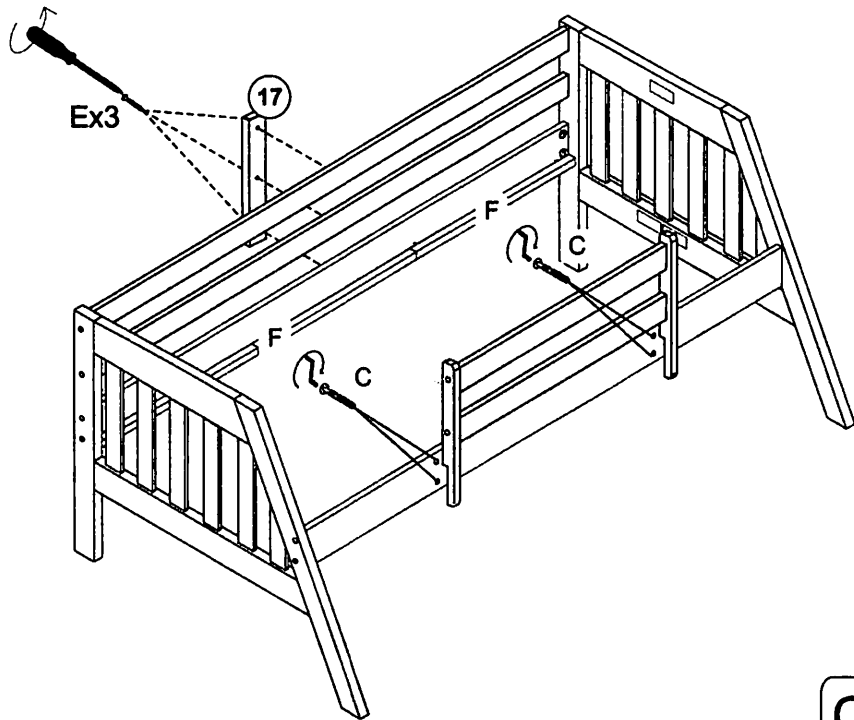
07 FRONT GUARDRAIL



C		Qty
	7,0x50 Screw	04

F		Qty
	Allen Key	01

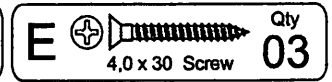
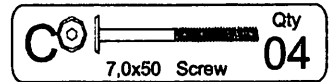
08



Tool Required

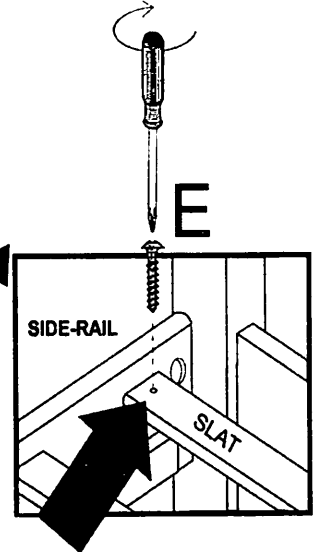
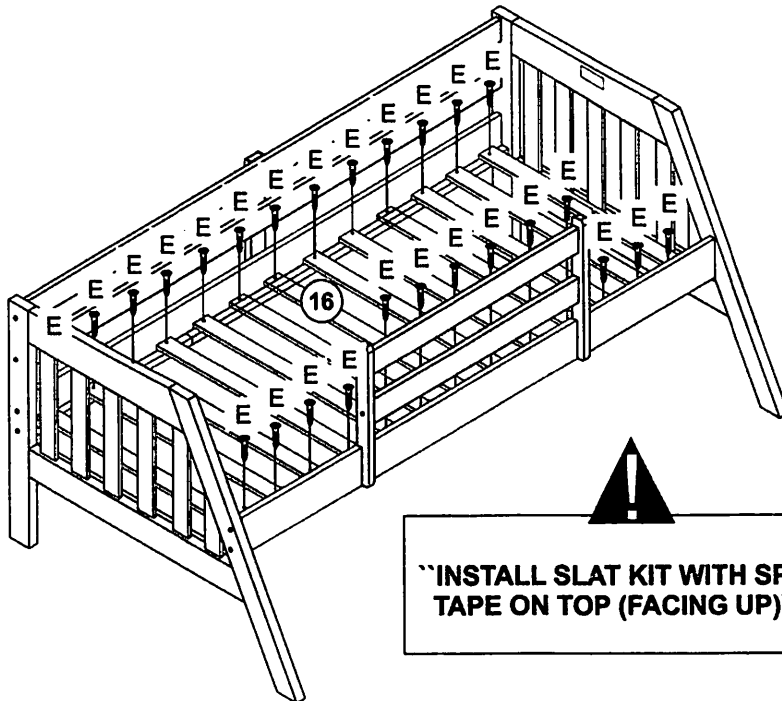


(Phillips Key)



09

!
The first slats must be fixed at 3" from each headboard end.

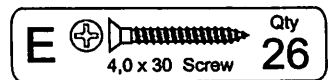


!
"INSTALL SLAT KIT WITH SPACER TAPE ON TOP (FACING UP)"

Tool Required

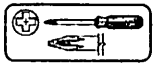
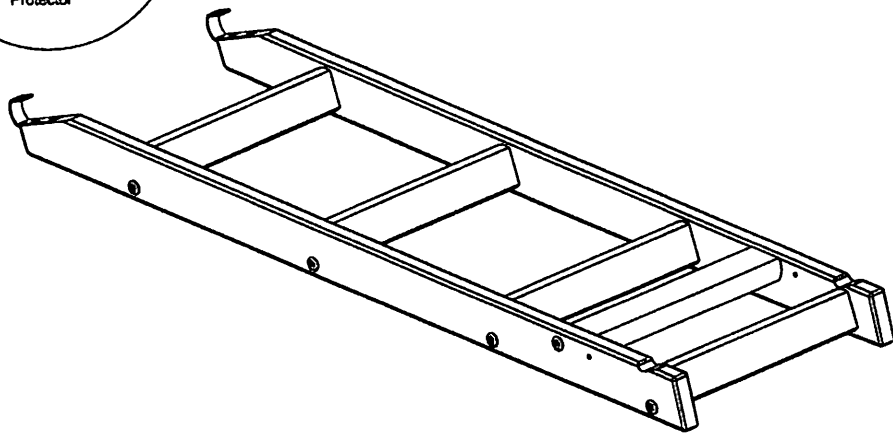
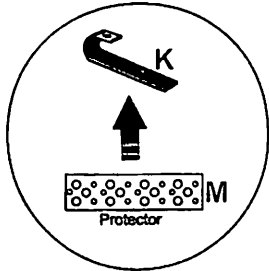
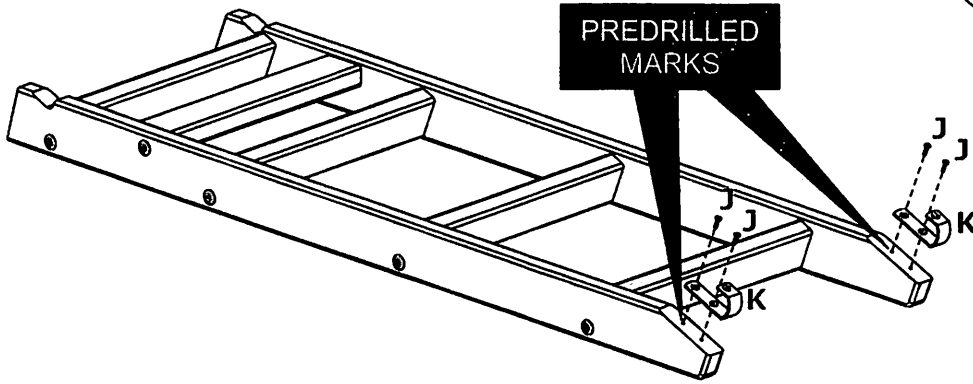
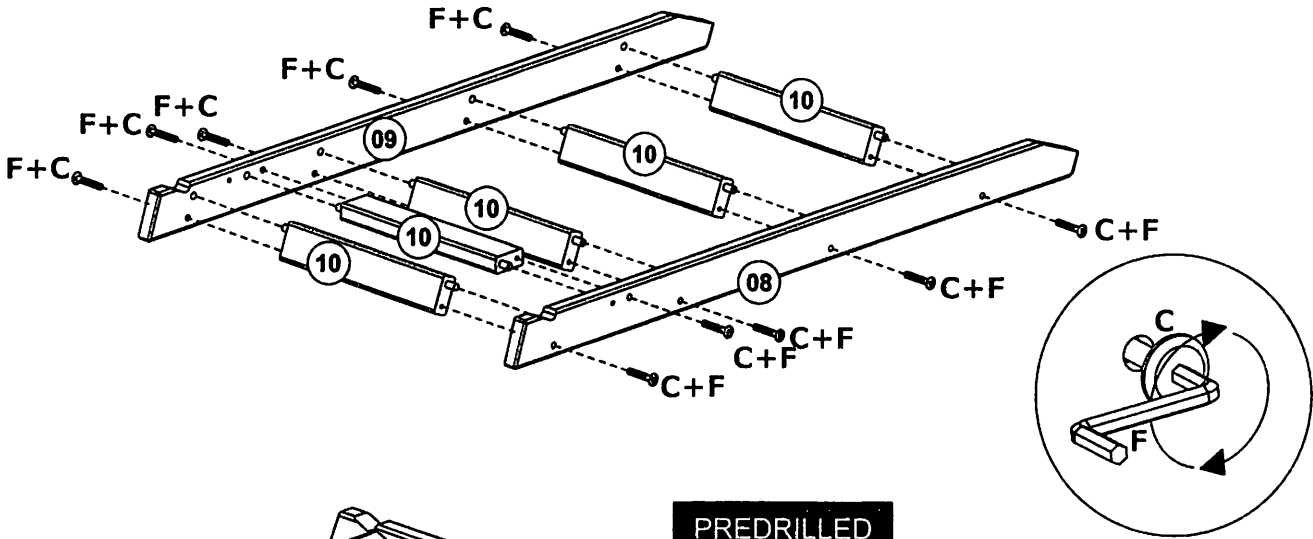



(Phillips Key)




10

LADDER

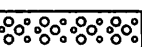


C  Qty 10
7,0x50 Screw

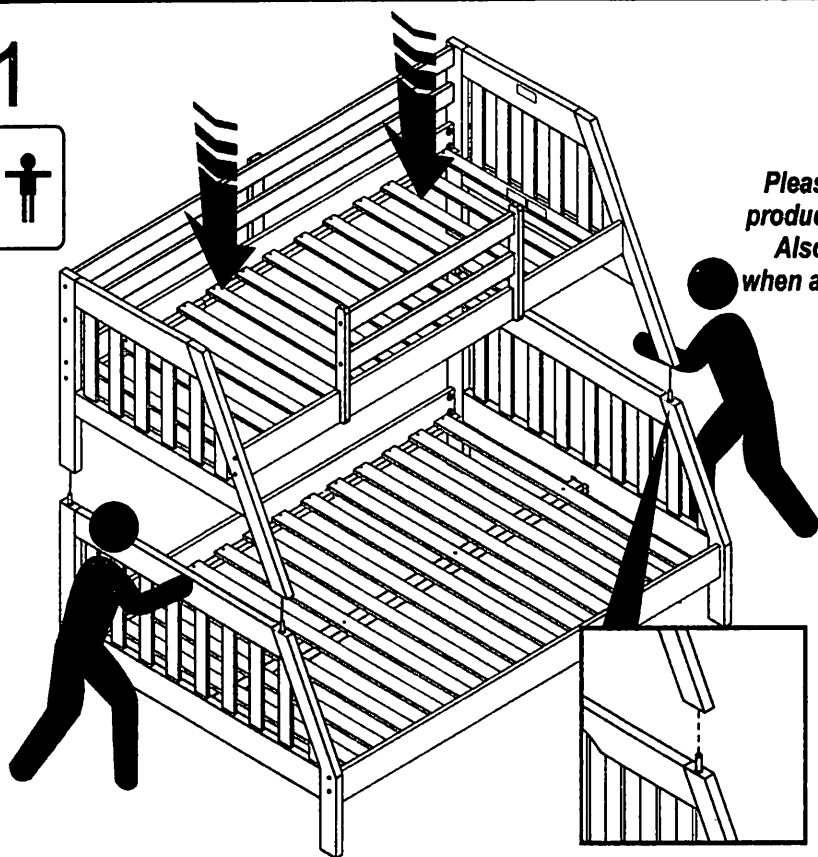
F  Qty 01
Allen Key

J  Qty 04
3,5x16 Screw

K  Qty 02
Hook Ladder

M  Qty 02
Protector

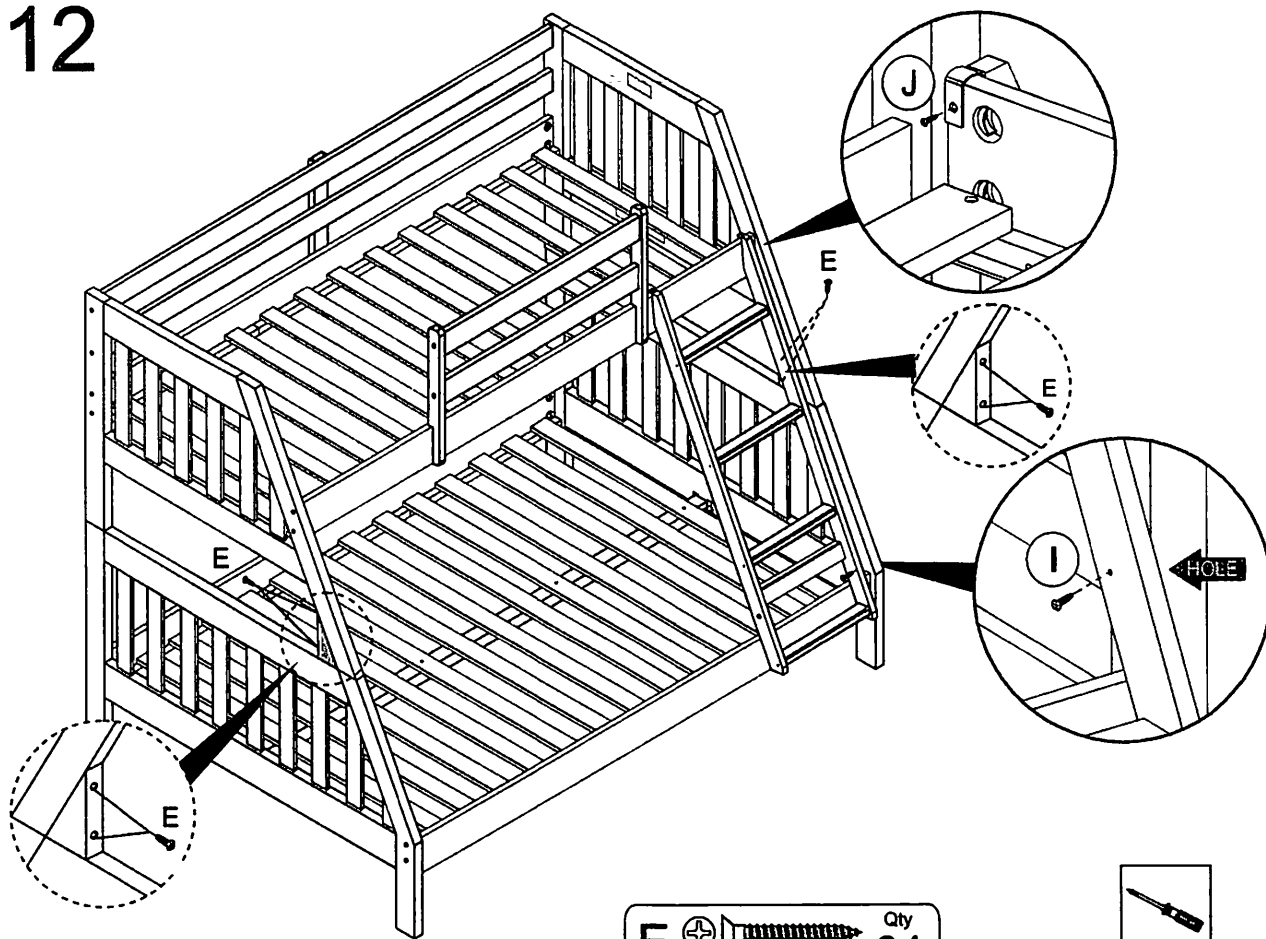
11




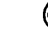
CAUTION!


Please be careful when assembling this product due the parts are extremely heavy. Also, please do not allow kids around when assembling this bed to avoid injuries!

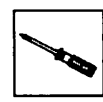
12



E  Qty 04
4,0 x 30 Screw

J  Qty 02
3,5x16 Screw

I  Qty 01
4,0 x 40 Screw



13

