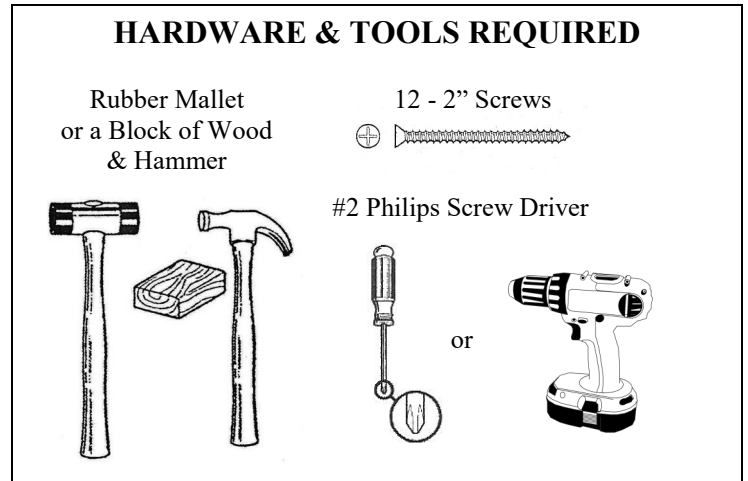
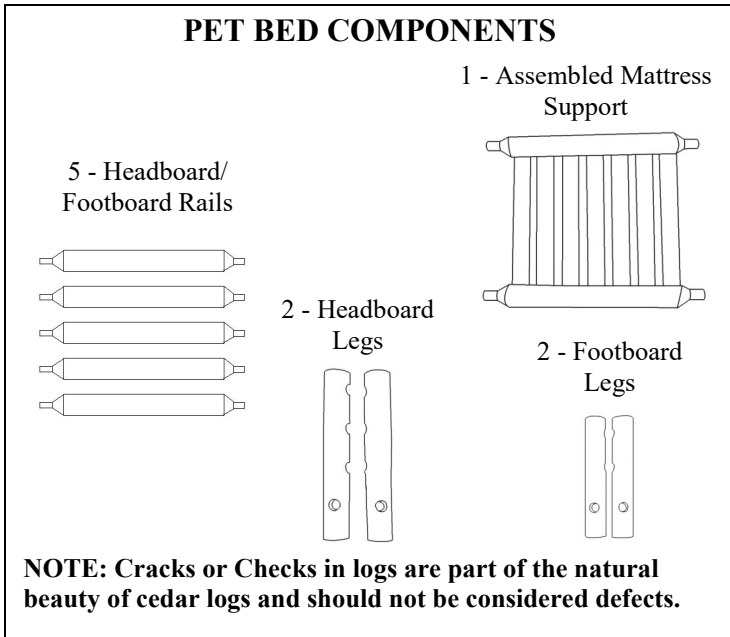


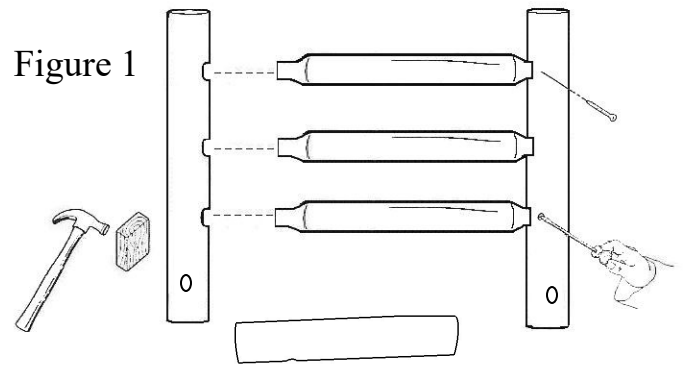
Cedar Pet Bed

Turn instructions over if you purchased the Vertical Cedar Pet Bed

Please check contents **before** assembly. If any items are missing or damaged, **do not take the unit back to the store**. Call our customer service and we will save you time by correcting any problems directly for you.



- NOTE:**
- **Read all instructions before starting.**
 - Use a rubber mallet (or a block of wood between the hammer and the unit) to drive doweled ends into holes.
 - A battery or power drill will make assembly easier and faster.

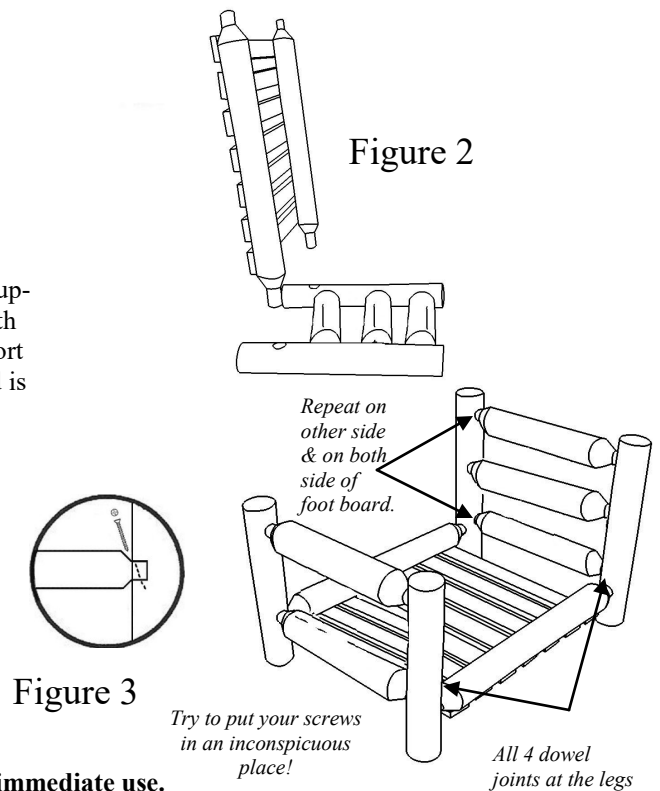


STEP 1 Lay Two Headboard Legs on a flat clean surface with the holes facing each other and the bottom hole facing upward, see Figure 1. Align and insert three Headboard Rails into holes of the Headboard Legs. Align the holes of the remaining Headboard Leg and insert doweled ends of the Headboard Rails. If necessary you can use a rubber mallet or a hammer and a block of wood to get them fully seated. Repeat process for Footboard Legs.

STEP 2 Lay assembled Headboard on a clean flat surface, with holes facing upward. Align and insert the doweled ends of the Mattress Support with the holes in the Headboard. **NOTE:** The slats on the Mattress Support should be positioned so that they will be on the bottom when the bed is fully assembled and in the flat position, see Figure 2.

STEP 3 Align and insert the holes on the Footboard with the doweled ends of the Mattress Support. If necessary, tap on with rubber mallet or block of wood and hammer, see Figure 2.

STEP 4 Lay bed down in the flat position and secure Mattress Support into place using the 2" screws perpendicular to the doweled end as shown in Figure 3.



Check tightness periodically.

Your pet/flower bed is now assembled and ready for finish or immediate use.