

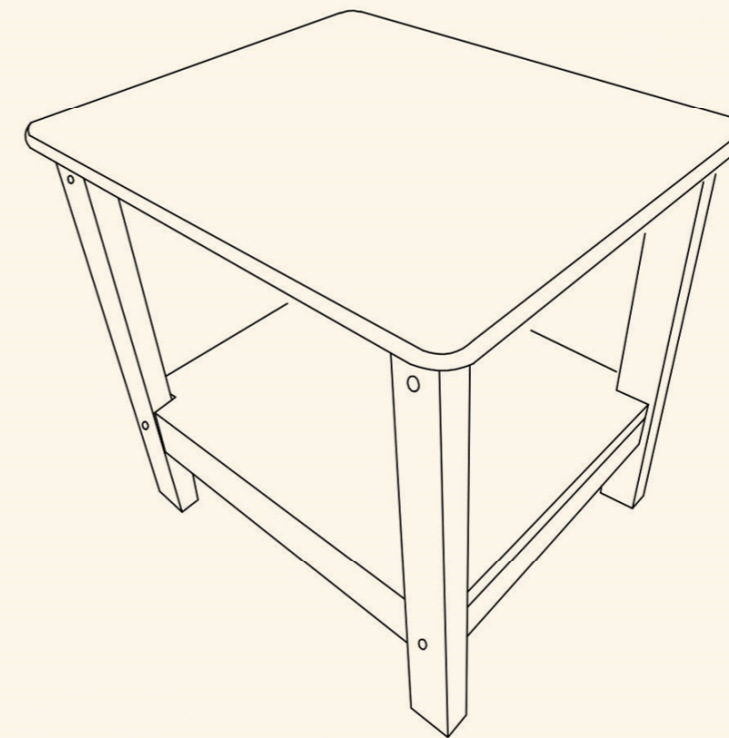
**Thank You  
For  
Choosing Us**



# Tea Table

**INSTRUCTIONS**

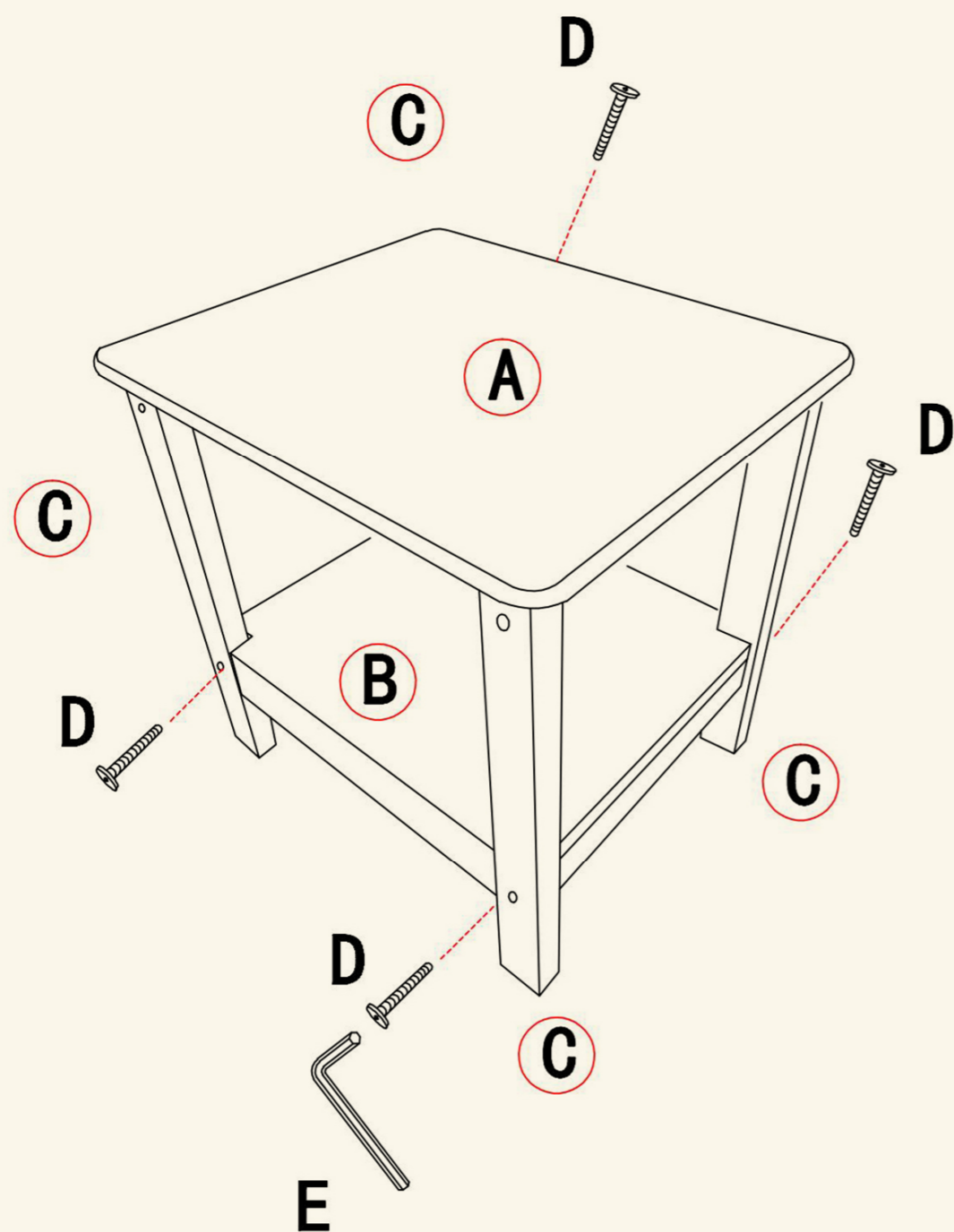
• ◐ ● ◑ • ●  
**Naga Bahna**



**SKU:EUAHDPE-T45**



## Step2



D=4

## NAGA BAHNA Warranty Card

Thank you for choosing NAGA BAHNA products!

We offer a warranty to ensure your product works as expected.  
Please read the details below to understand your warranty coverage.

### 1. Warranty Coverage

#### Period:

12 months from the date of purchase.

#### What's Covered:

Defects in materials or manufacturing.

#### What's Not Covered:

Damage from improper use or lack of care.

Damage caused by accidents, natural disasters, or unauthorized repairs.

Normal wear and tear or parts like batteries or filters.

### 2. How to Claim Warranty

#### Contact Us:

If your product has an issue, contact NAGA BAHNA Customer Service with your proof of purchase and the product's serial number.

#### Repair or Replacement:

We'll inspect the product and, if covered, repair or replace it for free.

#### Repair Time:

Typically 7-14 business days.

### 3. Customer Service

Phone: +17197595710

Email: [customerservice@nagabahna.com.cn](mailto:customerservice@nagabahna.com.cn)

Website: [www.nagabahna.com.cn](http://www.nagabahna.com.cn)

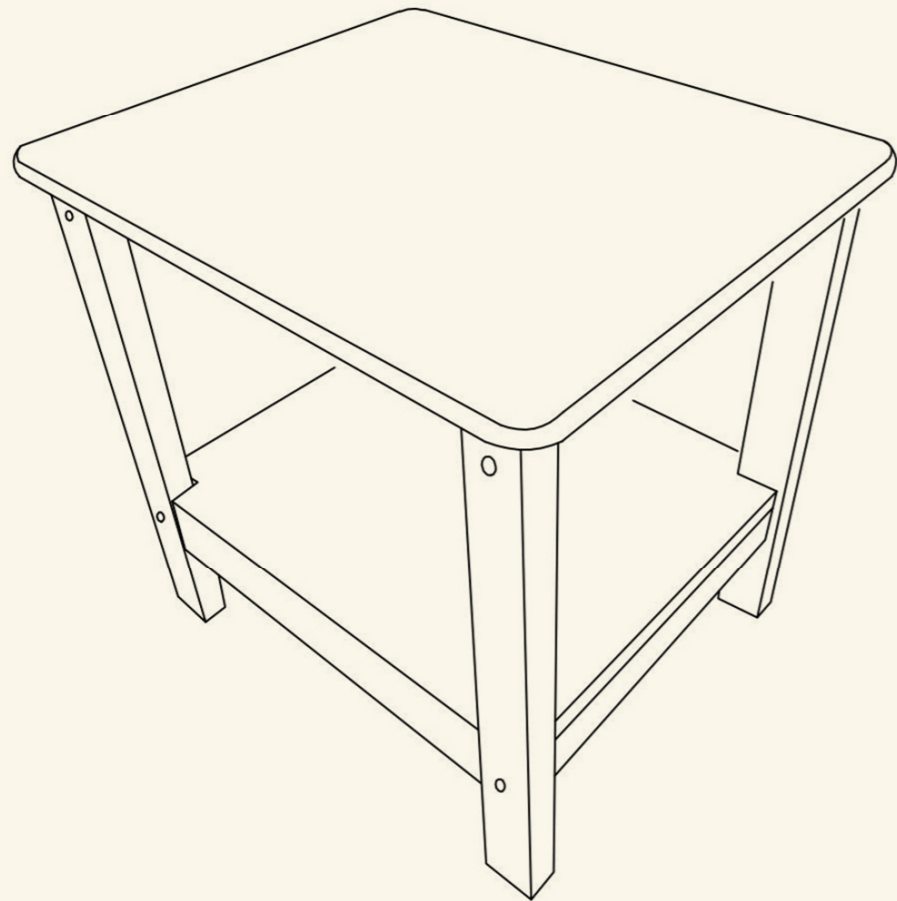
### 4. Important Notes

Keep this card safe as it proves your warranty.

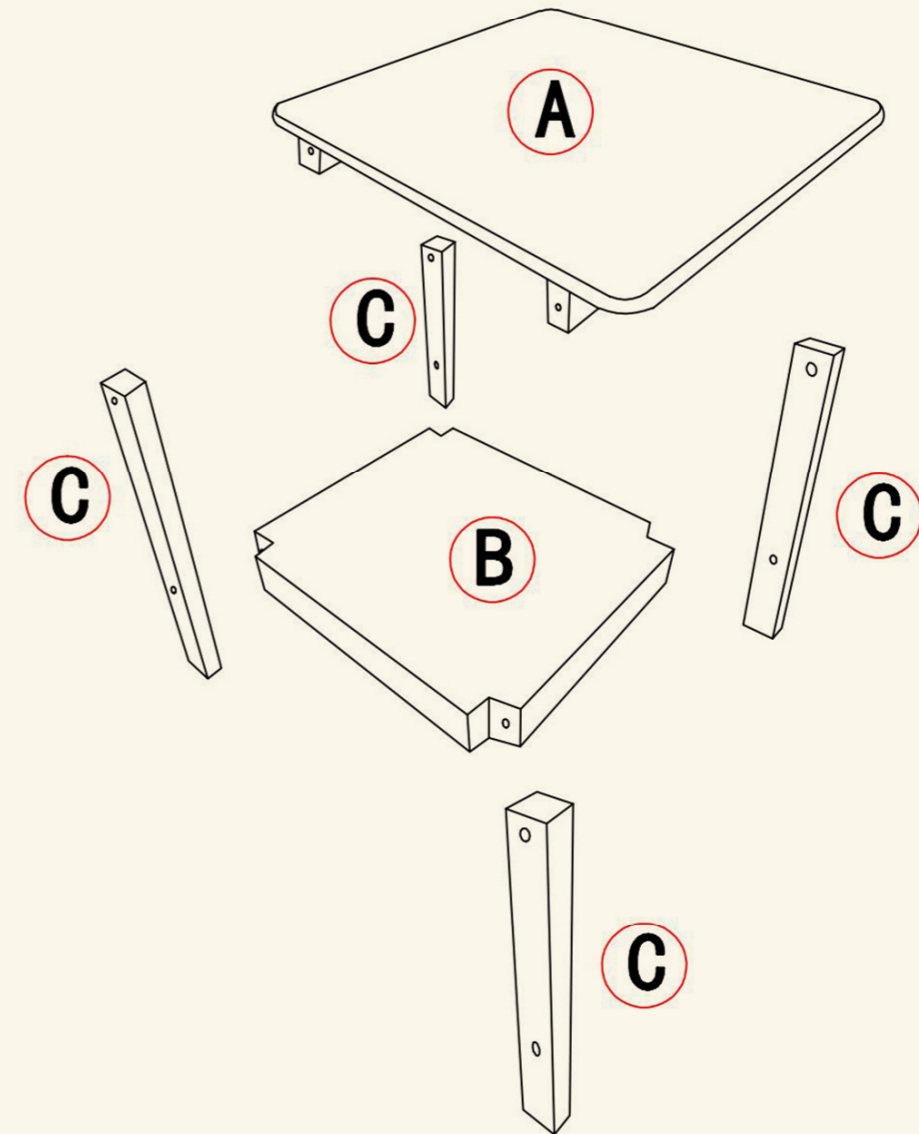
Warranty only applies to products bought from NAGA BAHNA or authorized sellers.

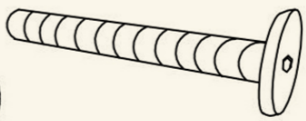
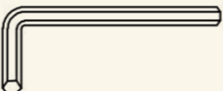
**NAGA BAHNA**  
Committed to quality and your satisfaction.

# PRODUCT MANUAL



## Accessory



<b>D</b>	 <b>m6*50</b>	<b>8PC</b>
<b>E</b>		<b>1PC</b>