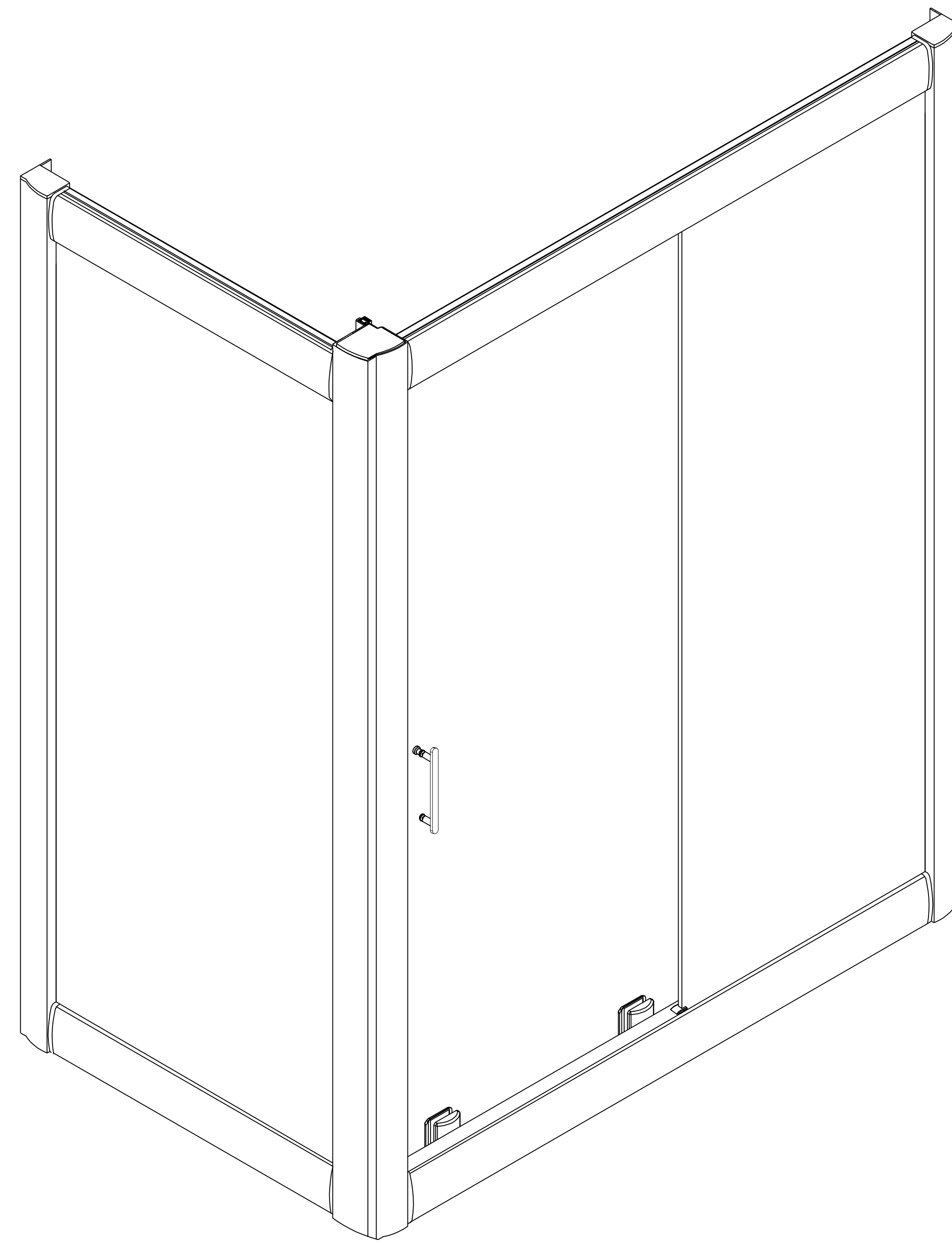


Left Hand Install



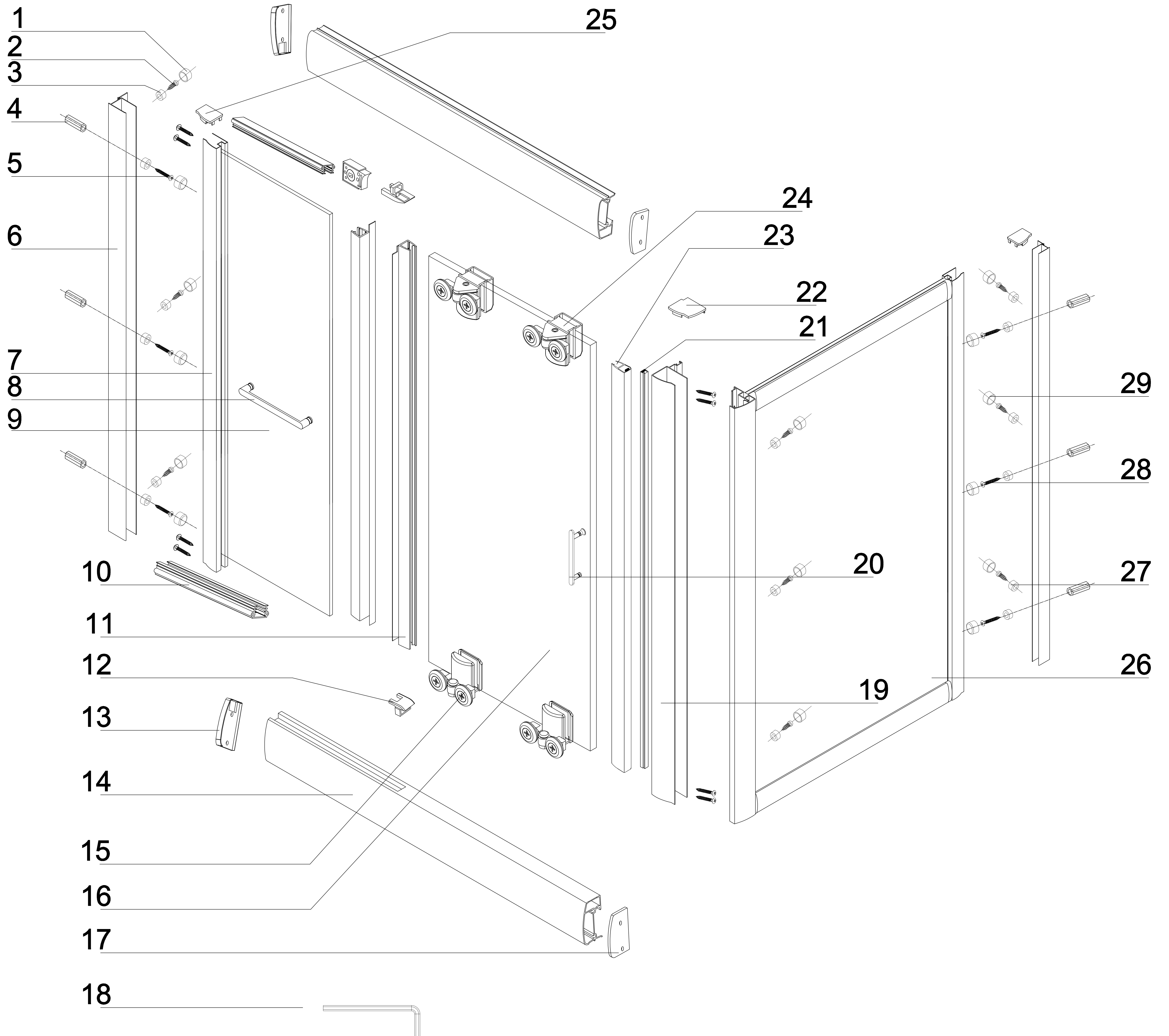
Right Hand Install

Customer Support: 1-877-897-1222
After-sale service: felyl@outlook.com
Hours of Operation: M-F 9 AM-5:00PM

Scan for
instruction video

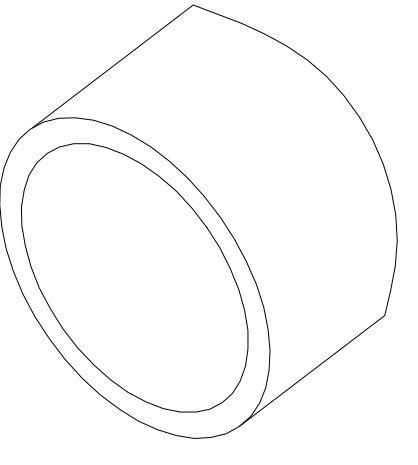
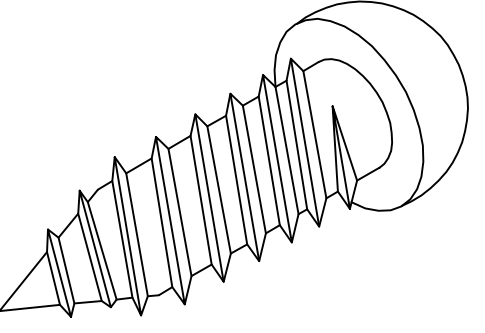
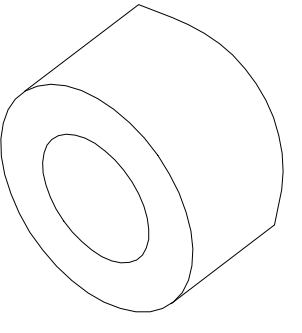
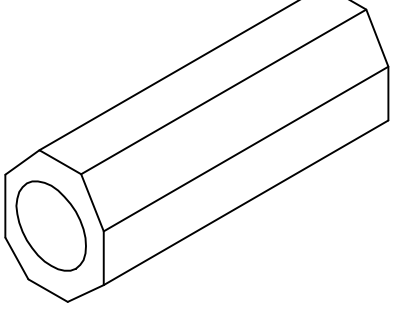
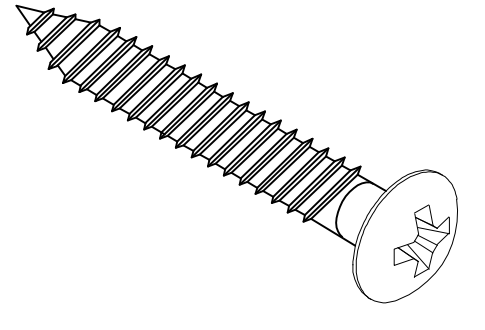
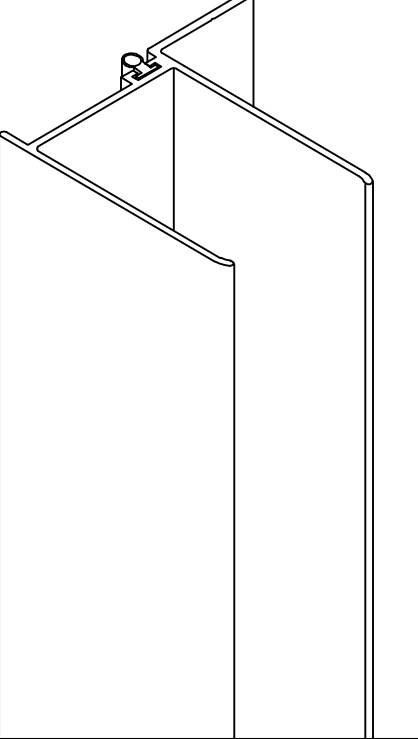
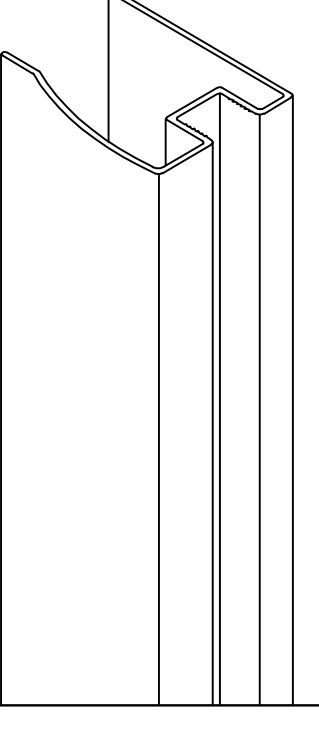
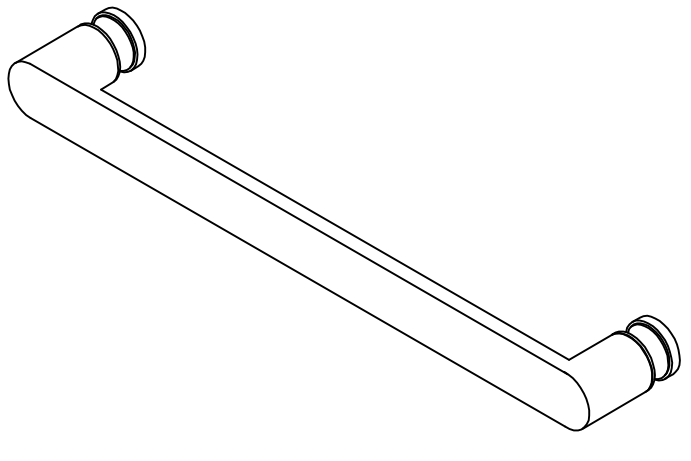
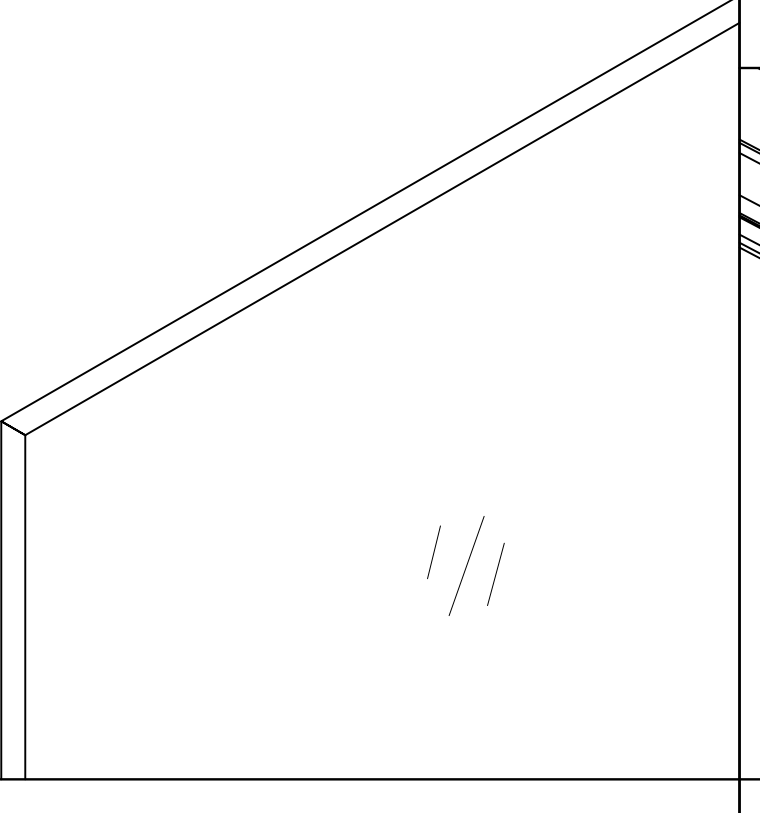
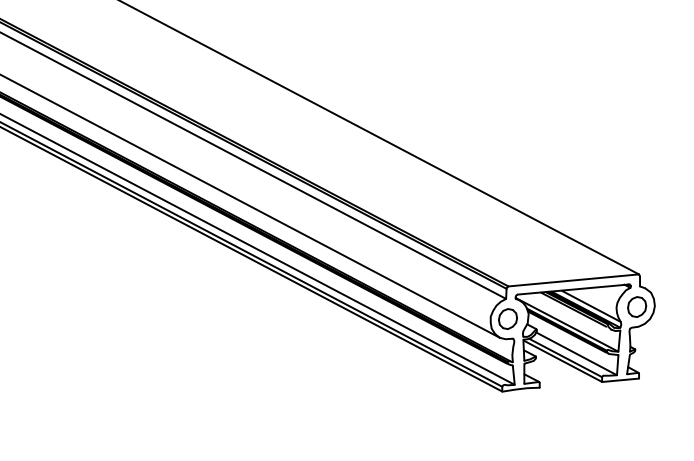
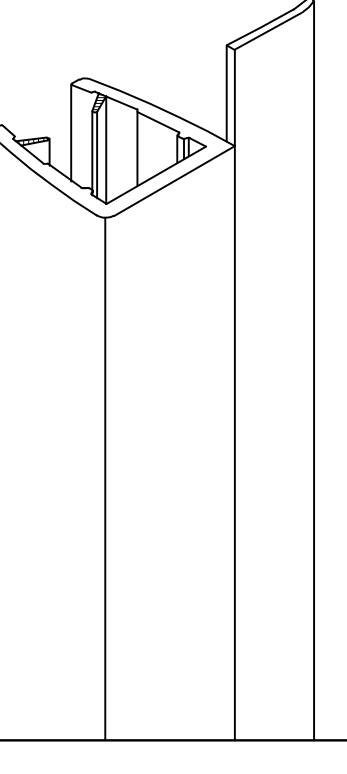
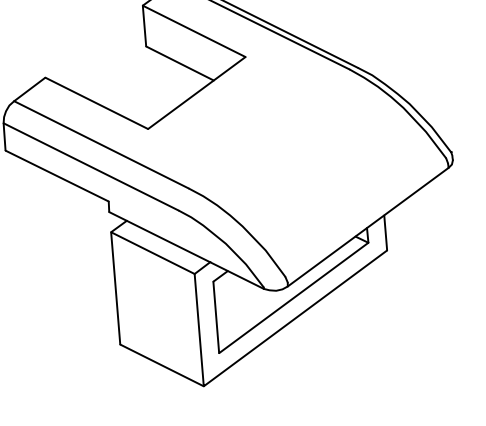
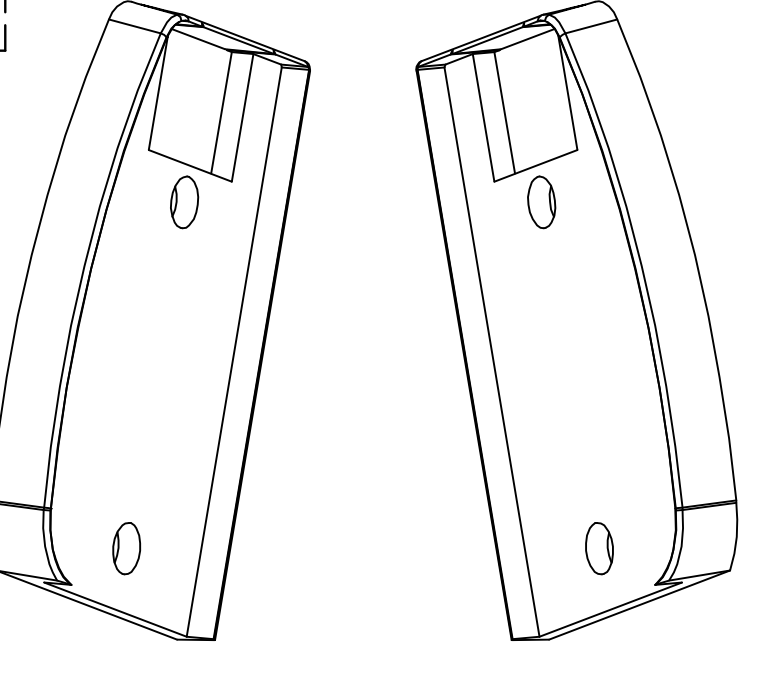
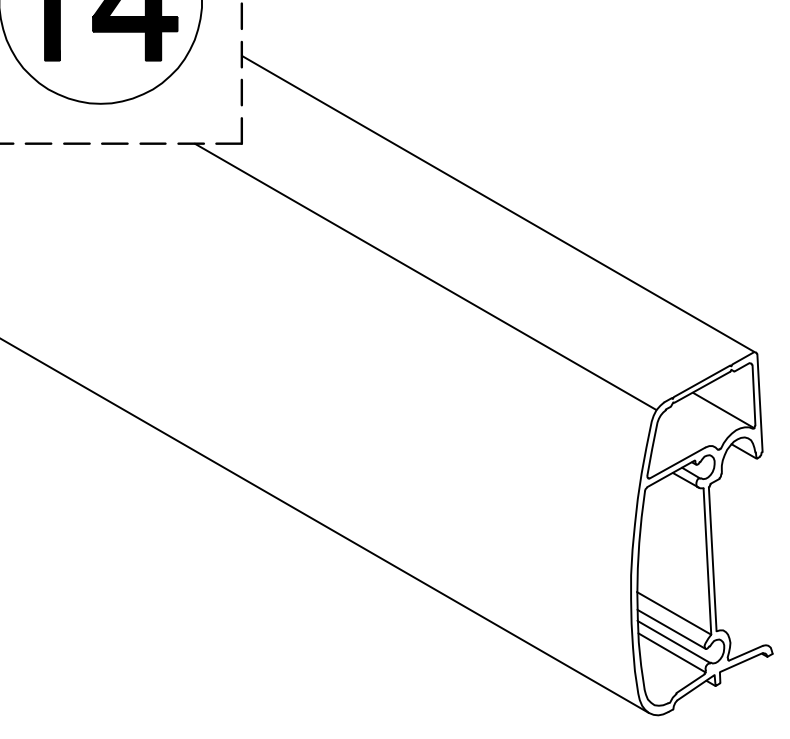
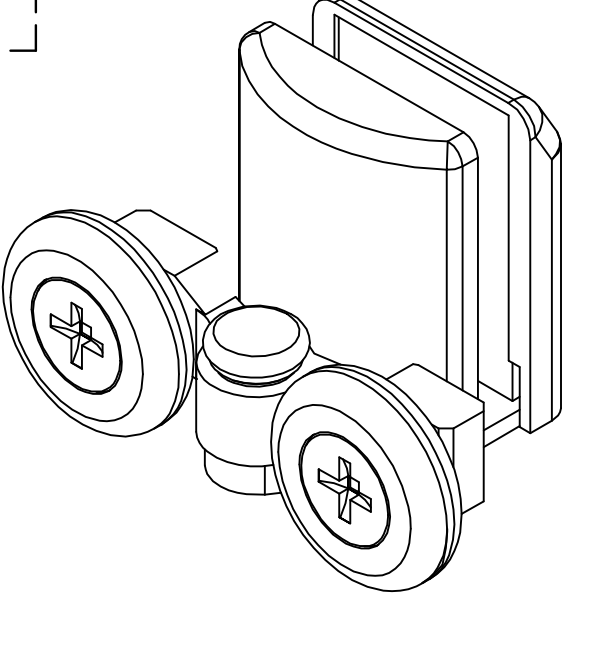
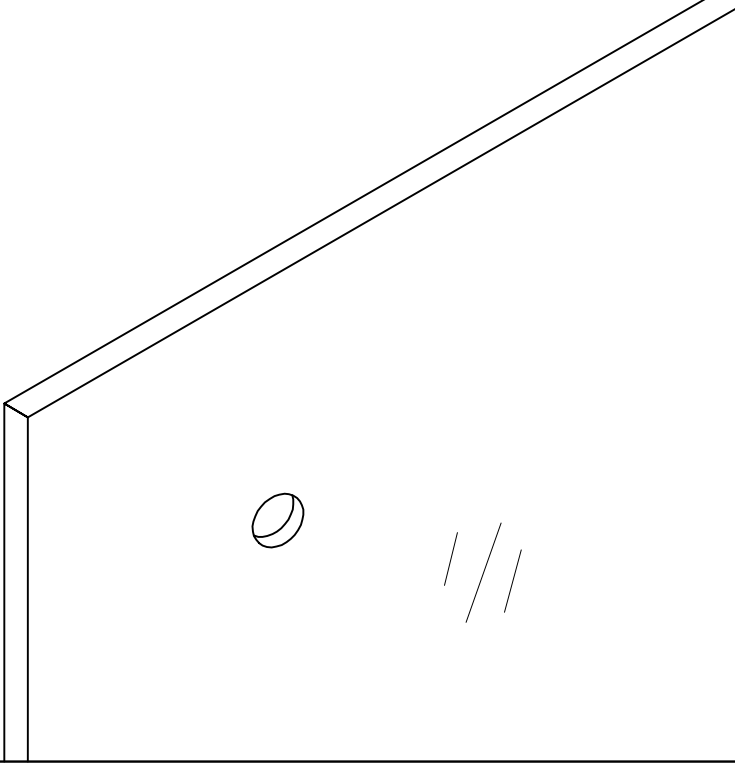
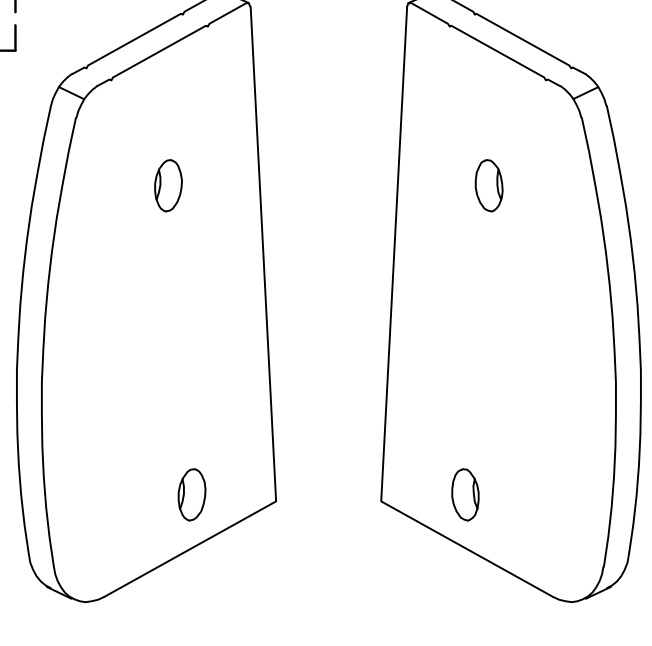
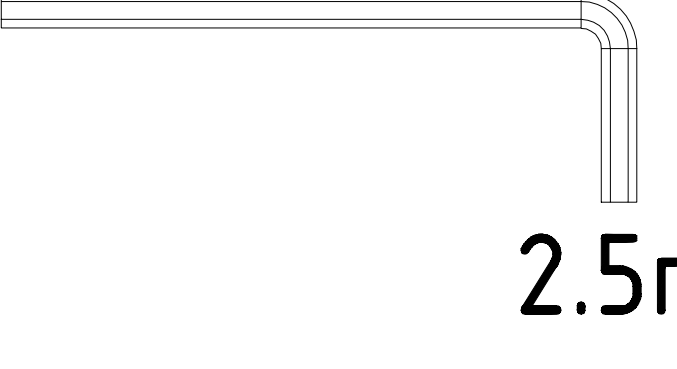
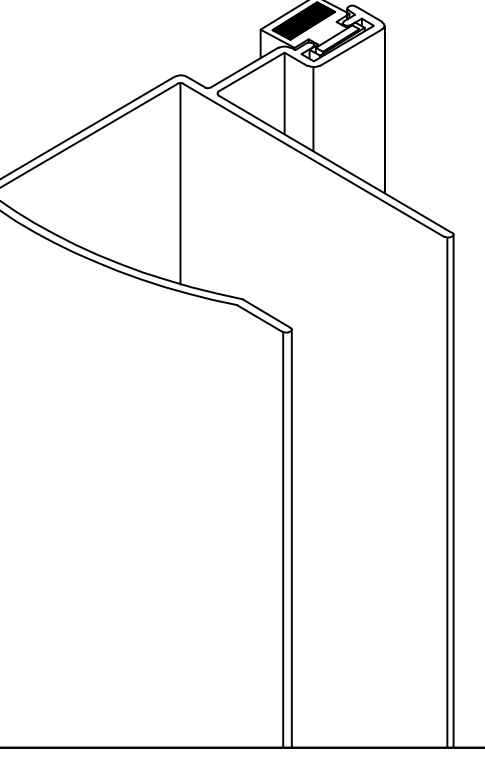
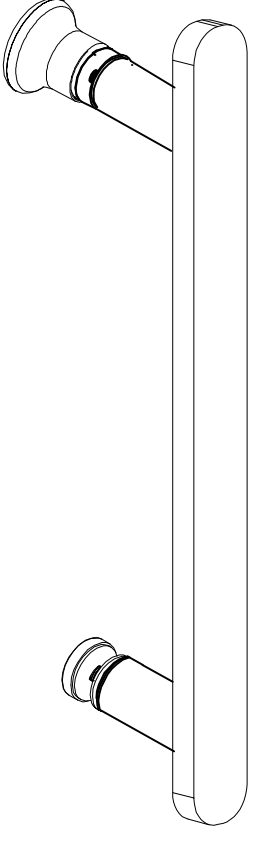
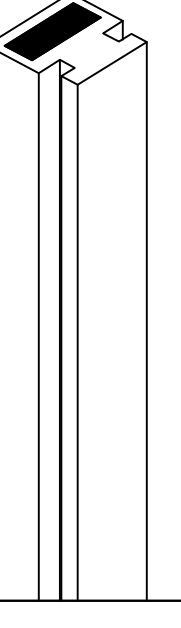
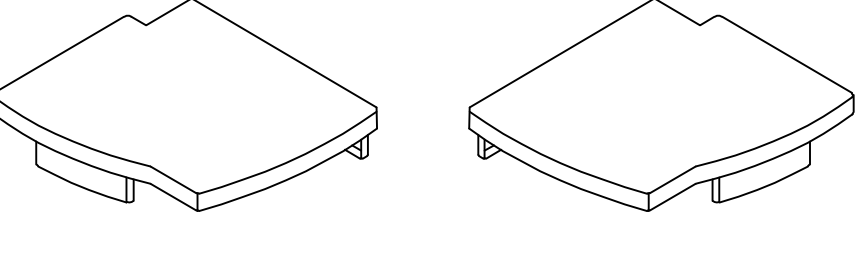
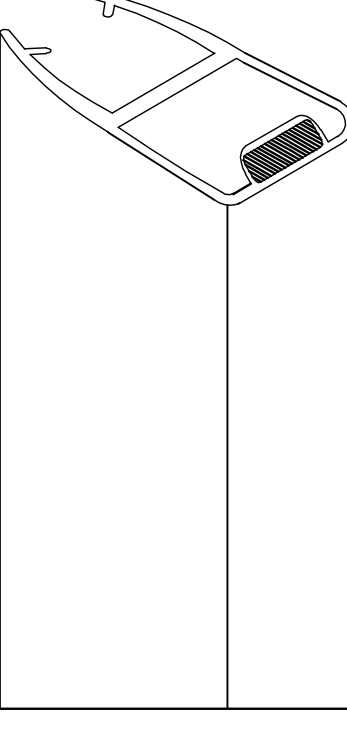
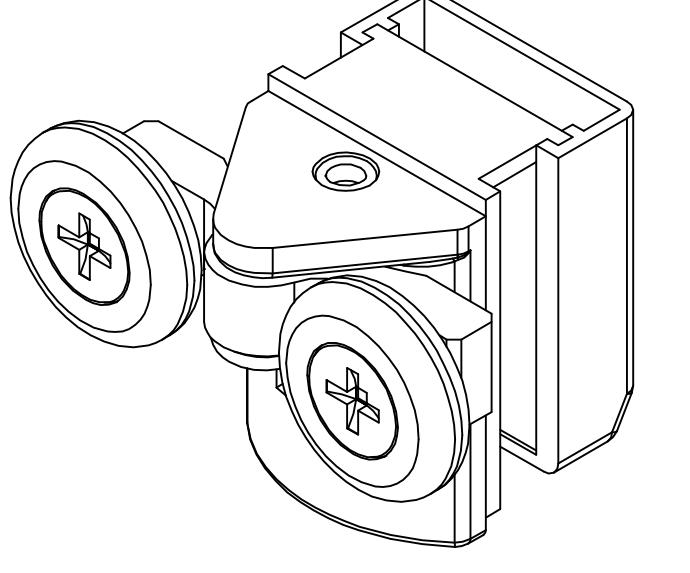
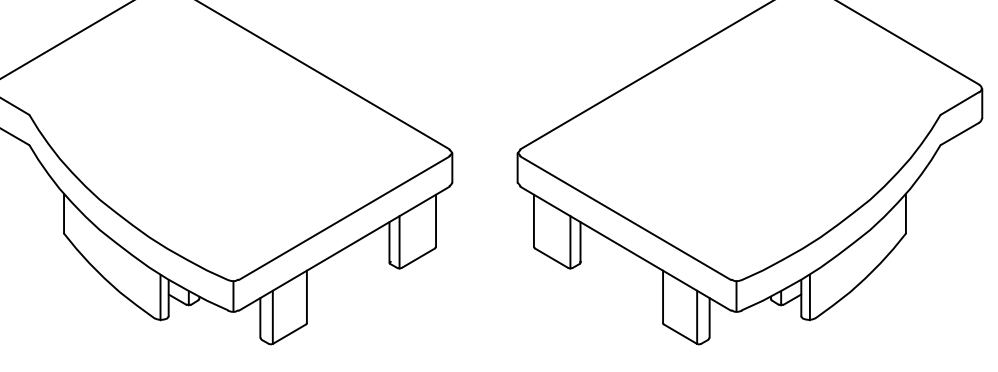
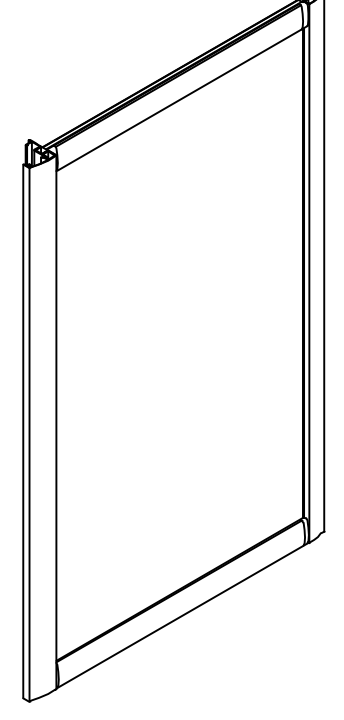
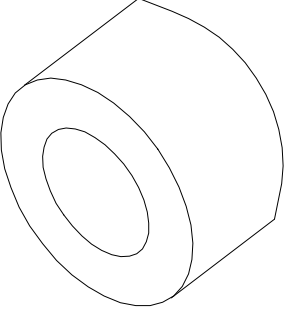
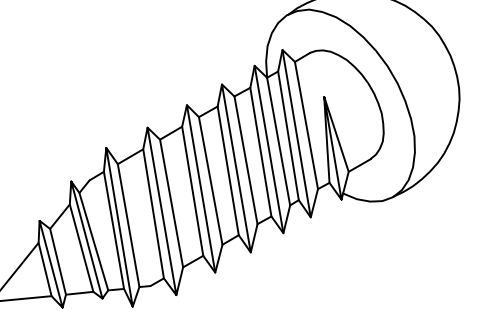
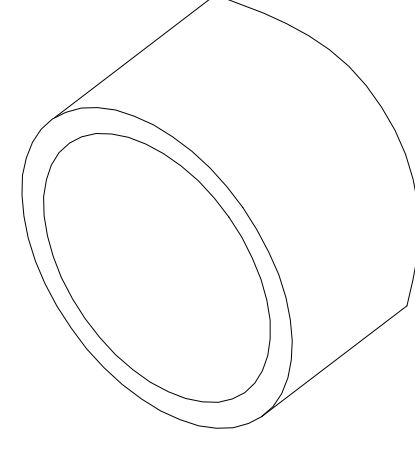


Detailed Diagram

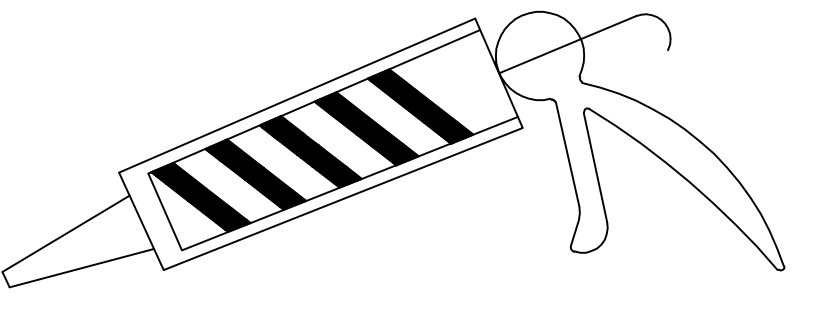
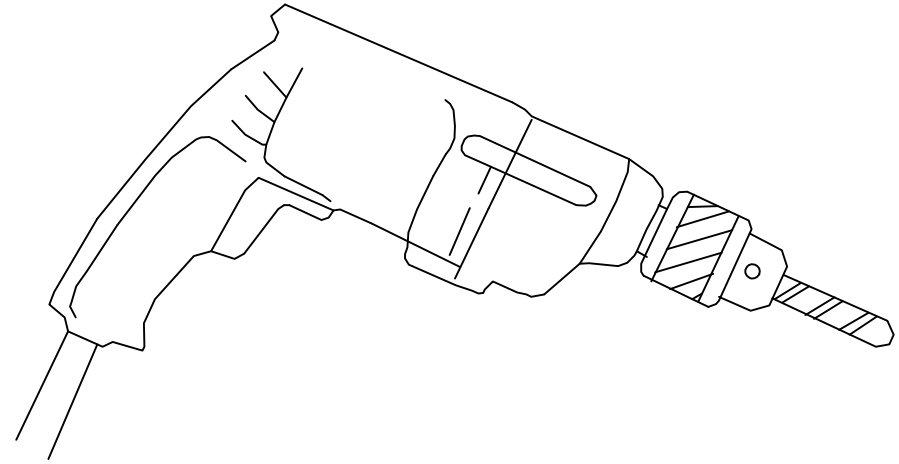
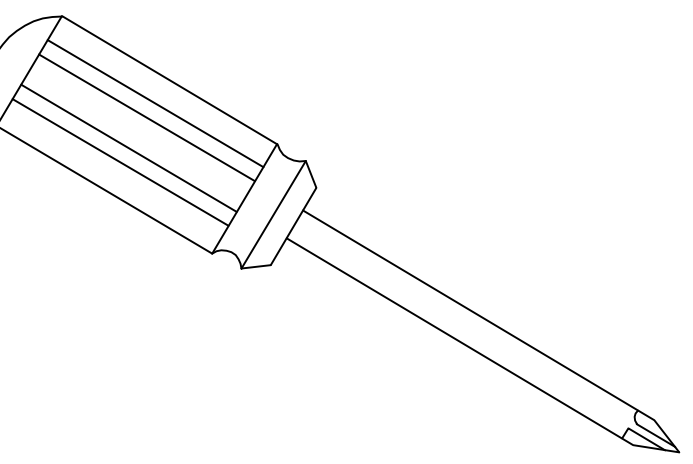
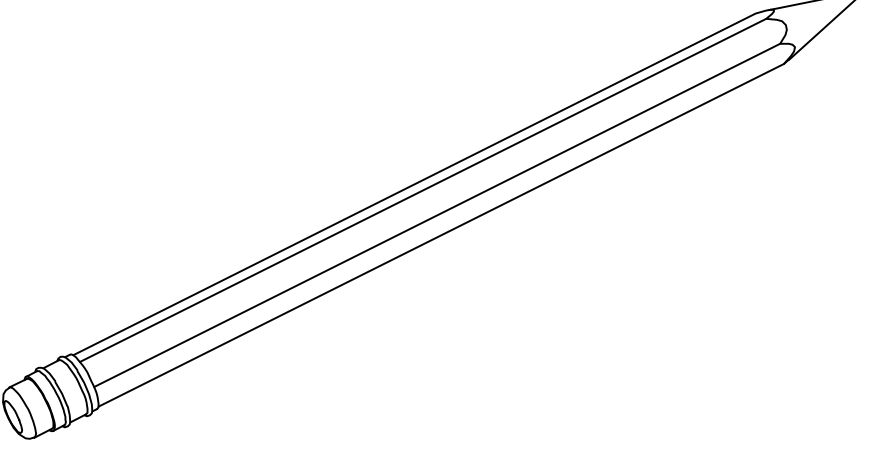
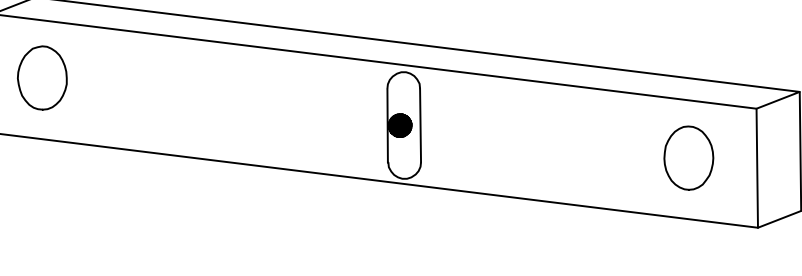
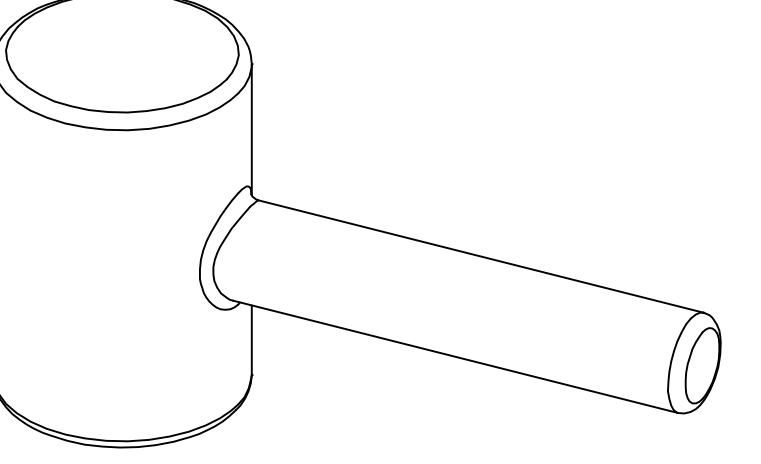
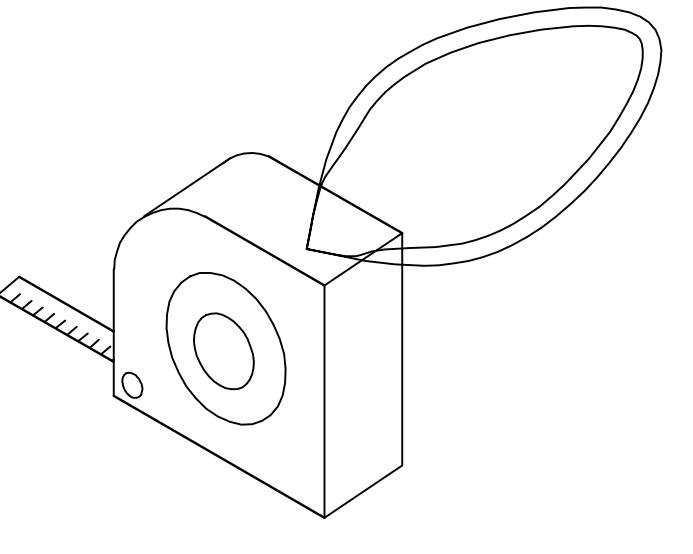
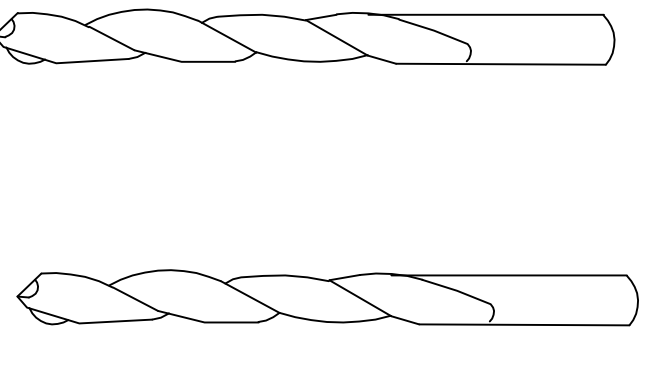
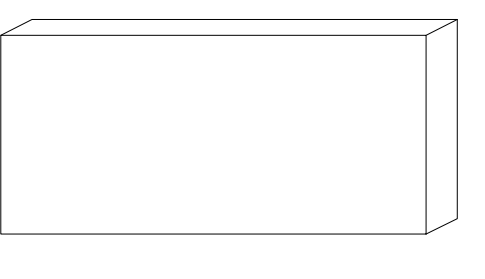
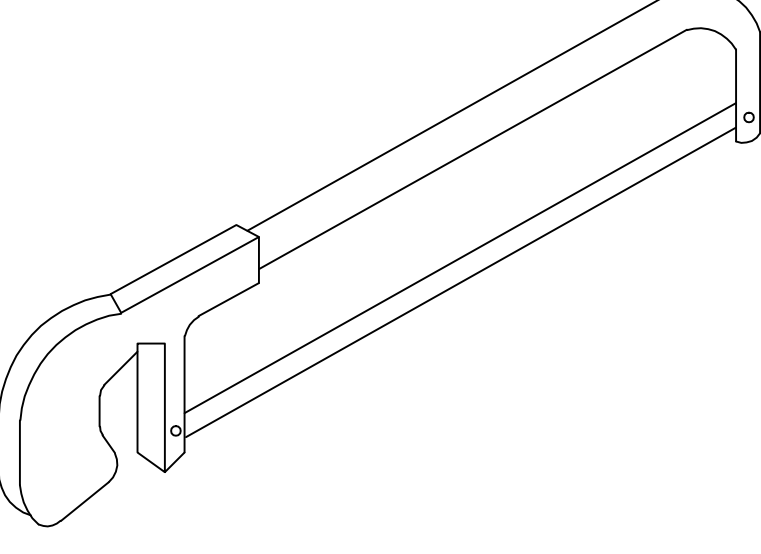




PART LIST

Check all parts according to the list before assembly . Feel free to contact with us if you need assistance .

| | | | | | |
|---|---|---|---|---|---|
|  |  |  |  |  |  |
| Screw cap(12PCS) | Self-tapping screw 4*12(6PCS) | Washer(12PCS) | Wall anchor 6*28(6PCS) | Self-tapping screw 4*30(14PCS) | Wall-mounted bracket(2PCS) |
|  |  |  |  |  |  |
| Wall bracket(1PC) | Towel bar(1PC) | Fixed panel(1PC) | Shower door seal strip(2PCS) | Water retaining strip(2PCS) | Fixed panel piece(2PCS) |
|  |  |  |  |  |  |
| (Left / Right) Side track cap(2PCS) | Shower door track(2PCS) | Bottom roller assembly(2PCS) | Movable door(1PC) | (Left / Right) Side track cap(2PCS) | Allen wrench(1PC) |
|  |  |  |  |  |  |
| Wide wall bracket(1PC) | Handle(1PC) | Magnetic Strip(1PC) | (Left / Right) Corner Glass Profile Cover(2PCS) | Magnetic strip(1PC) | Top roller assembly(2PCS) |
|  |  |  |  |  | |
| (Left / Right) Wall bracket cover(2PCS) | Side Fixed Panel(1PC) | Washer(3PCS) | Self-tapping screw 4*12(3PCS) | Screw cap(3PCS) | |

Recommended Tools

| | | | | | |
|---|---|--|---|---|---|
|  |  |  |  |  |  |
| Silicone | Drill | Philips Screw Driver | Pencil | Level | Rubber Mallet |
|  |  |  |  |  |  |
| Tape Measure | Ø1/4"&1/8"Drill Bit | Wooden Jam | Hacksaw | Safety Glass | Safety Gloves |

Utilize Safety Glasses and Safety Gloves when constructing this shower door



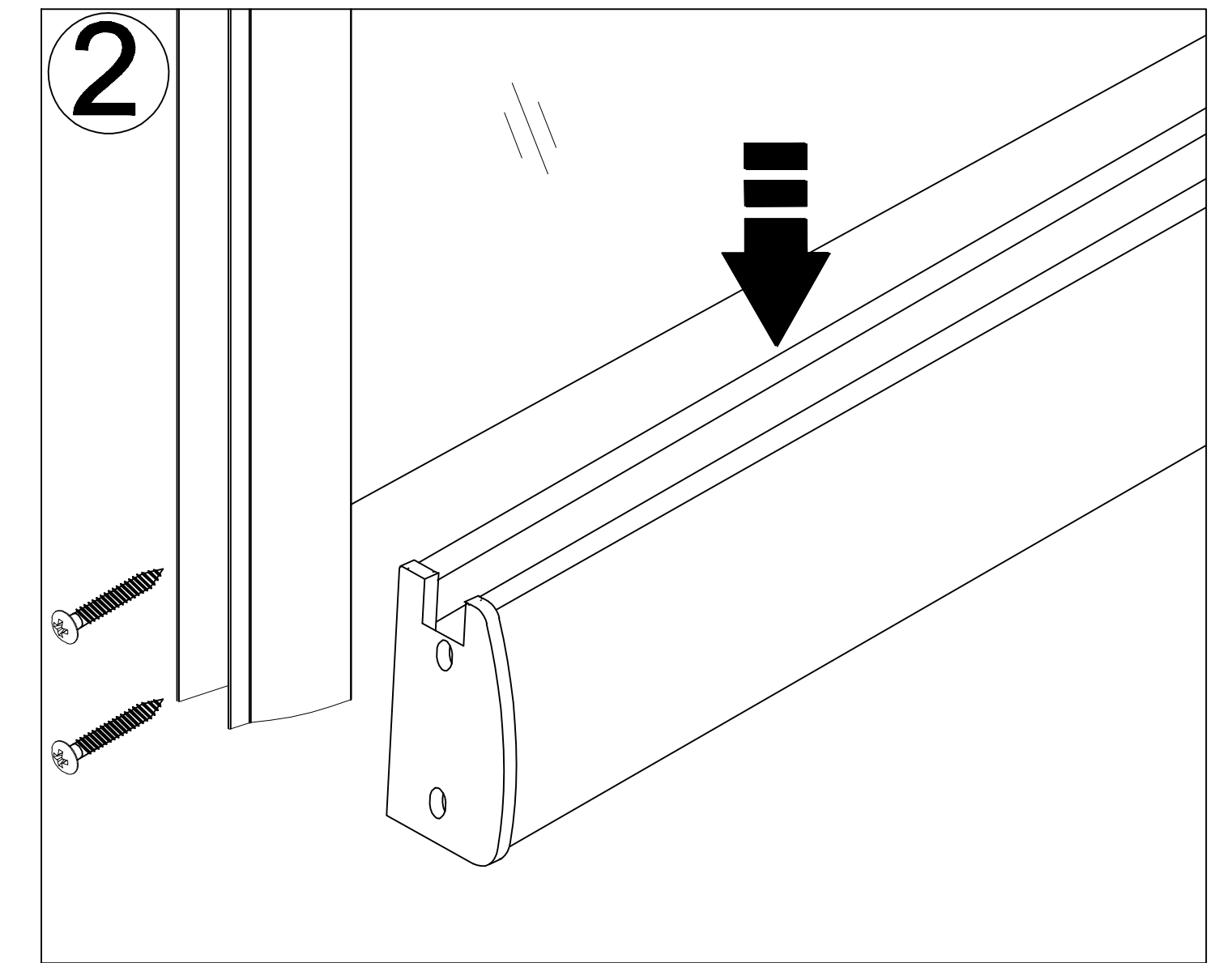
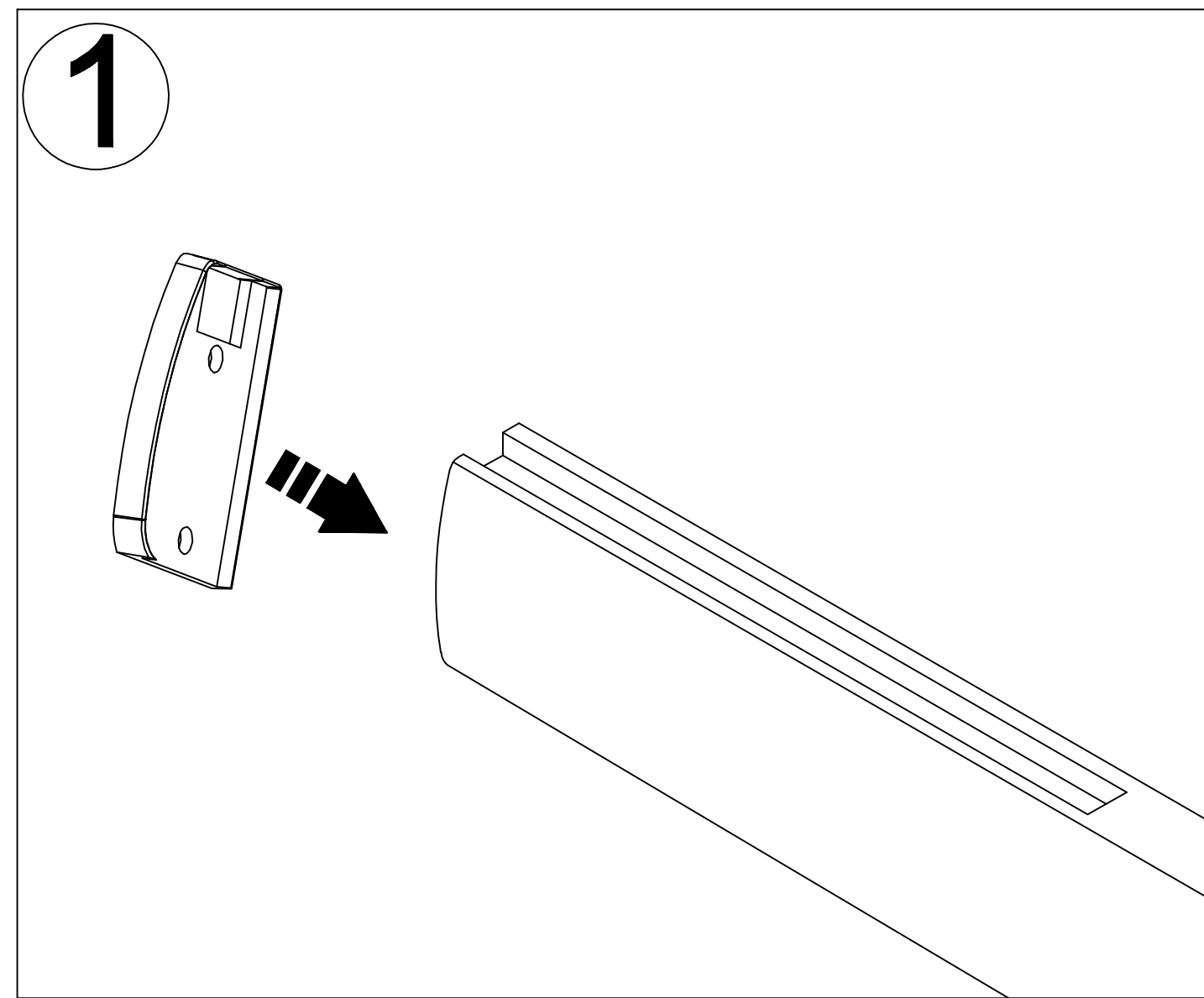
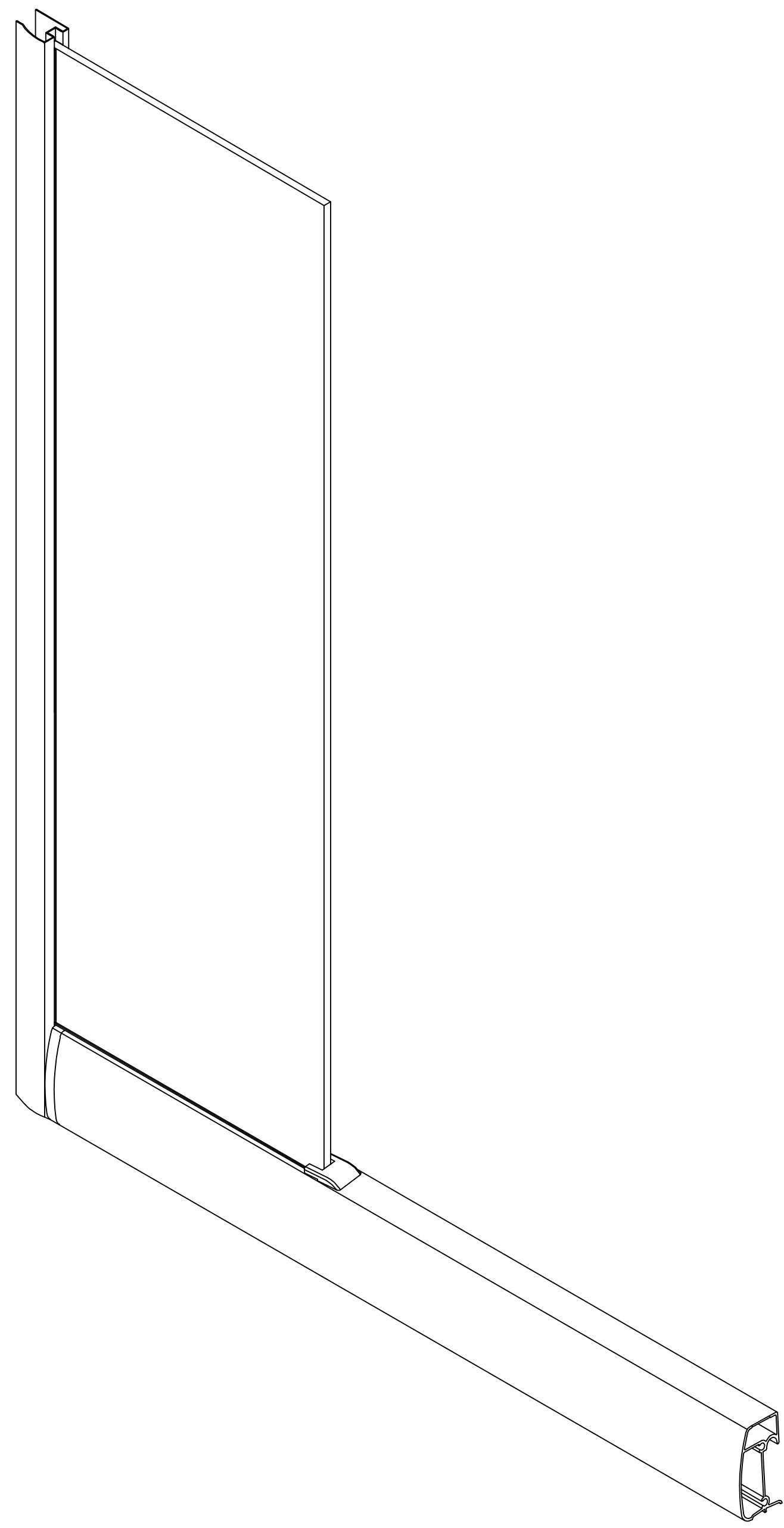
Product installation attention and maintenance

Note: When installing, the glass corner protector cannot be dropped. And glass corners cannot touch the ground

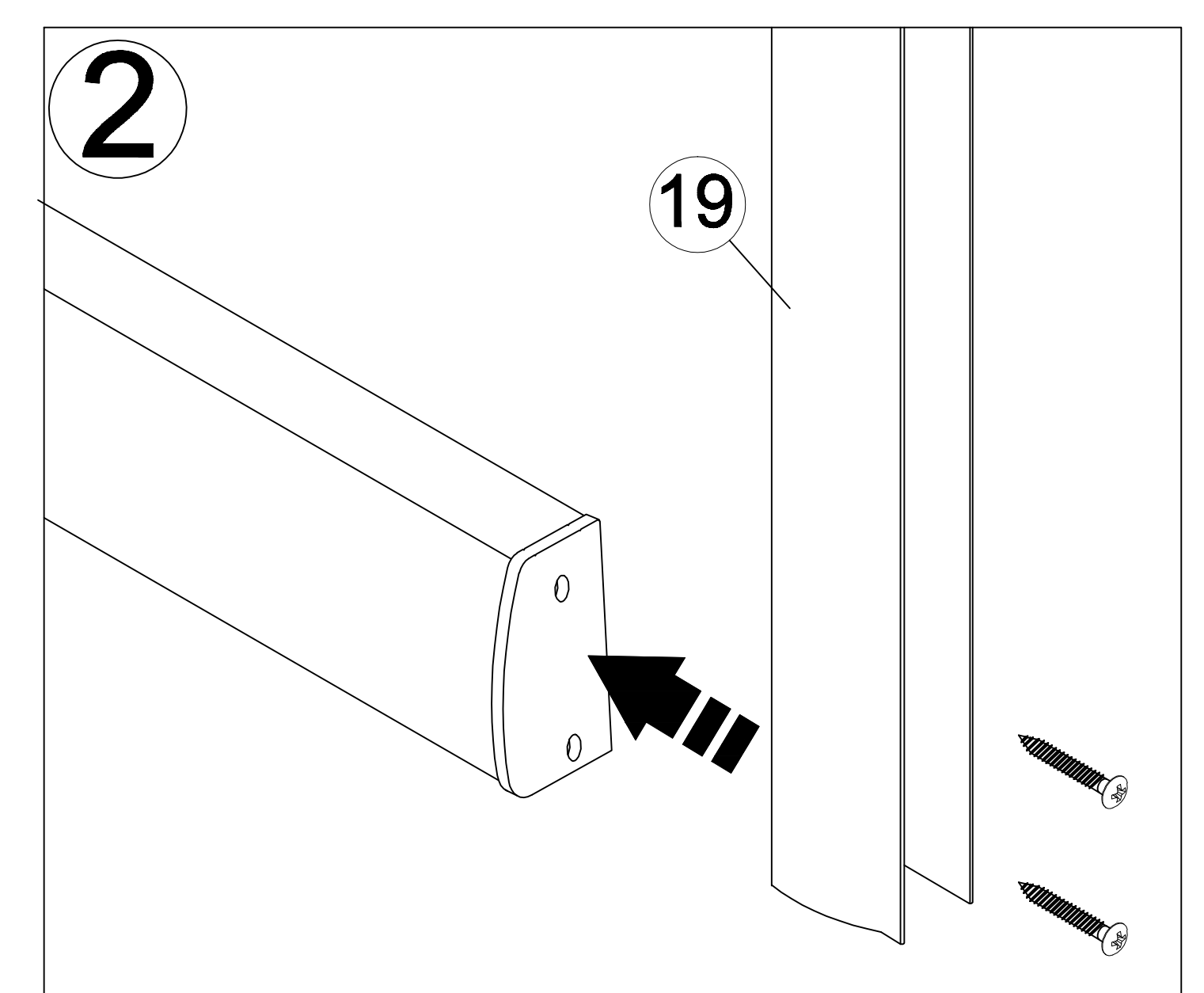
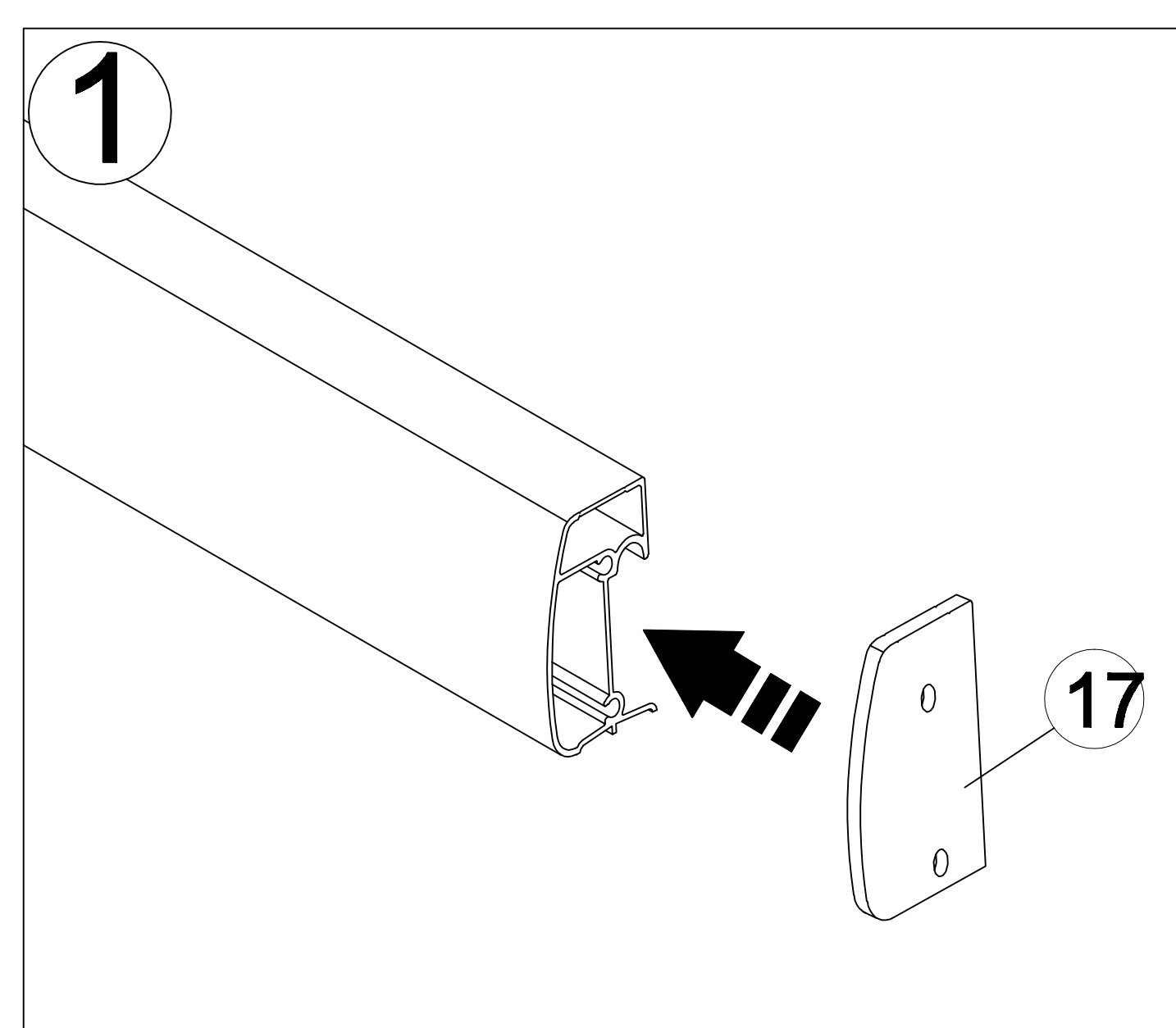
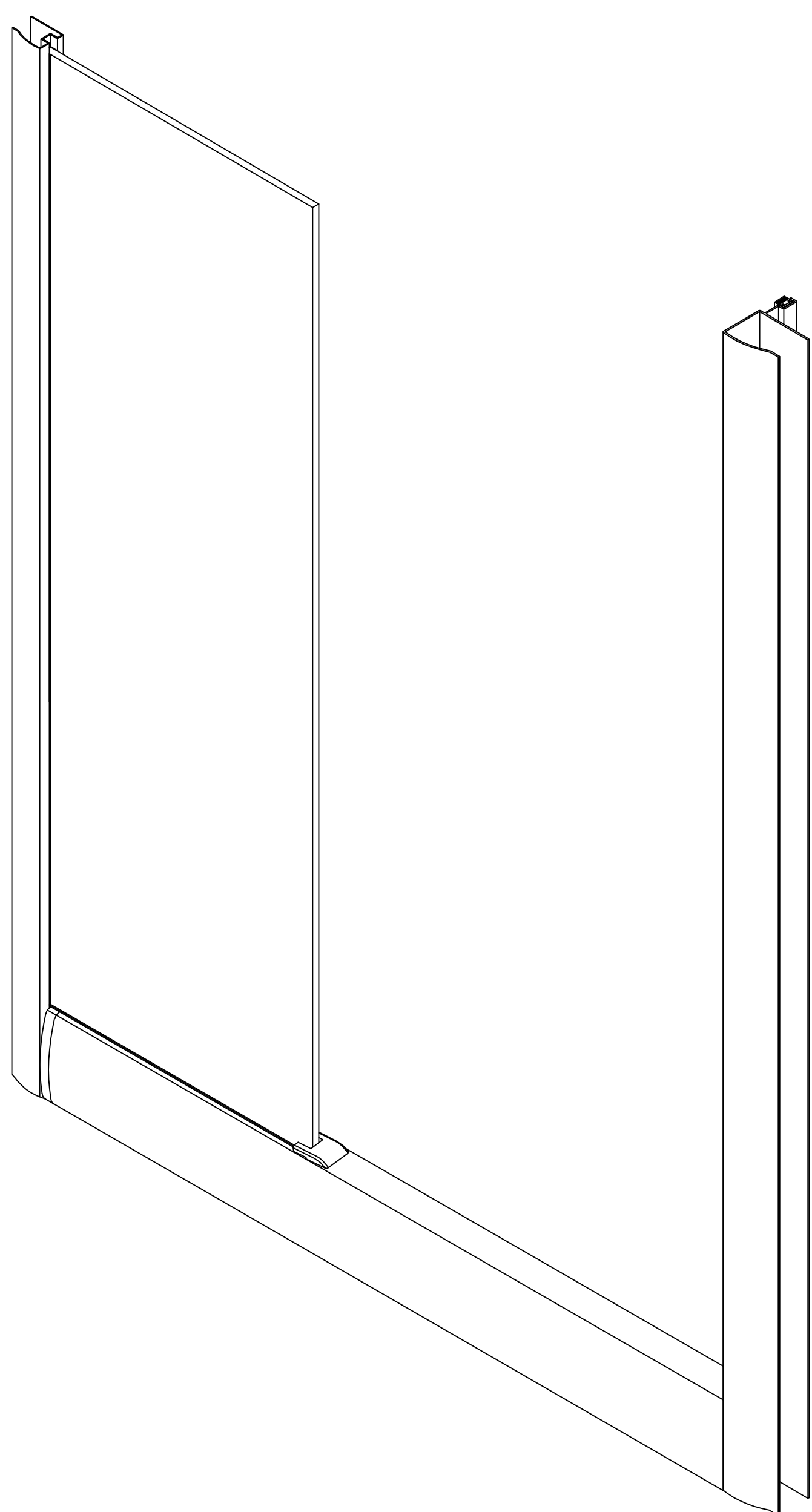
GLASS: To ensure long lasting life for your glass shower products: wipe them off after each use with a soft cloth. Rinse and wipe off the glass using either a soft cloth or a squeegee to prevent soap buildup and water spots (Hard water can etch the surface of the glass over time if left to dry). To prevent scratching the surface: never use abrasive cleaners or cleaning products that contain scouring agents. Never use bristle brushes or abrasive sponges that may scratch the surface.

HARDWARE: To ensure a long lasting finish: wipe off the metal parts after each use with a soft cloth. Do not use abrasive cleaners or cleaning products containing ammonia, bleach or acid. If accidentally used, rinse the surface as soon as possible to prevent damage to the finish (peeling or corrosion). After cleaning the polished finishes, rinse thoroughly and wipe dry with soft cloth. Clean stainless steel surfaces at least once a week. When applying stainless steel cleaner or polish to stainless steel hardware, work with (not across) the grain. Never use an abrasive sponge or cloth, steel wool or wired brush as these may permanently scratch the surfaces.

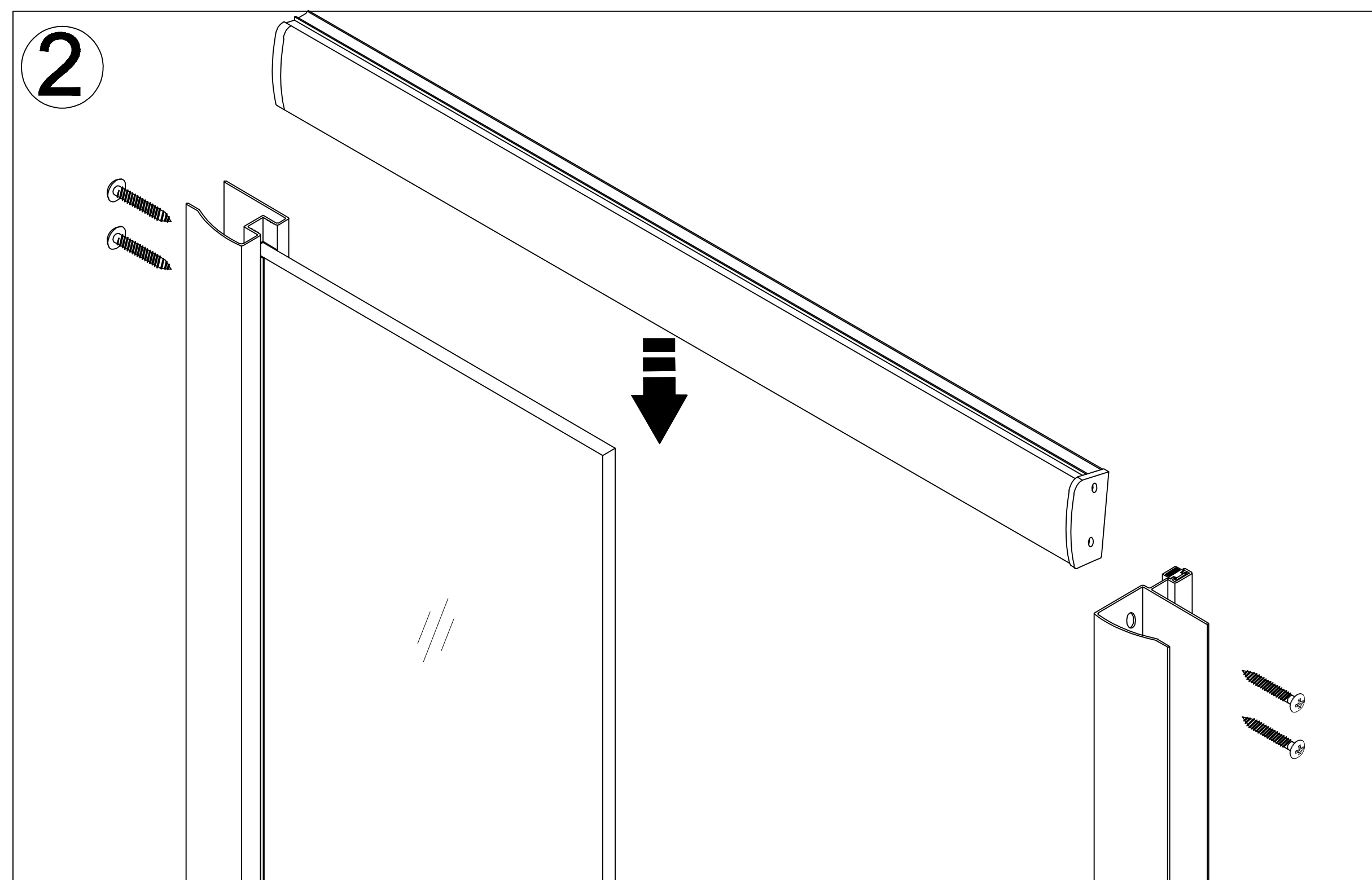
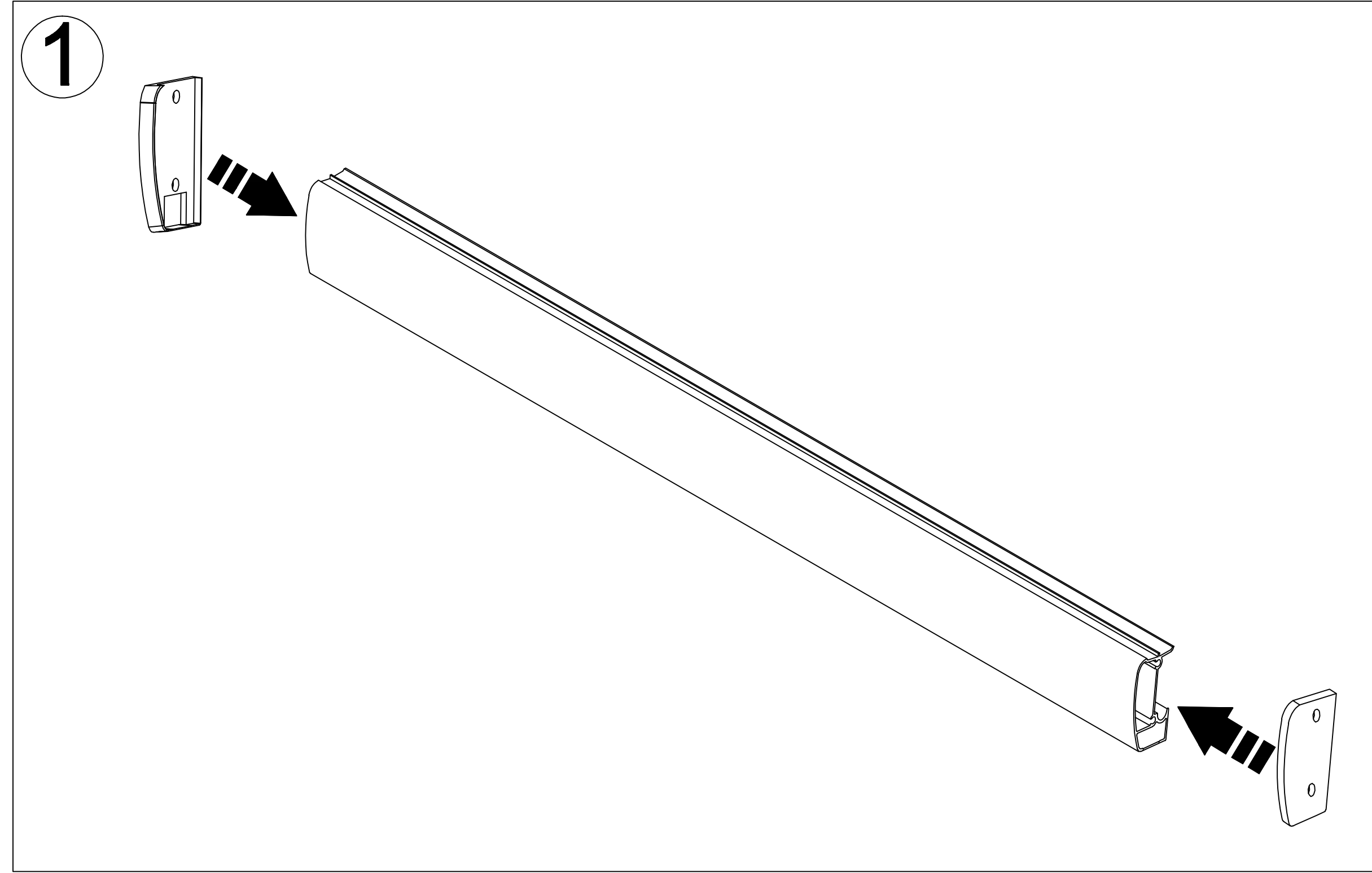
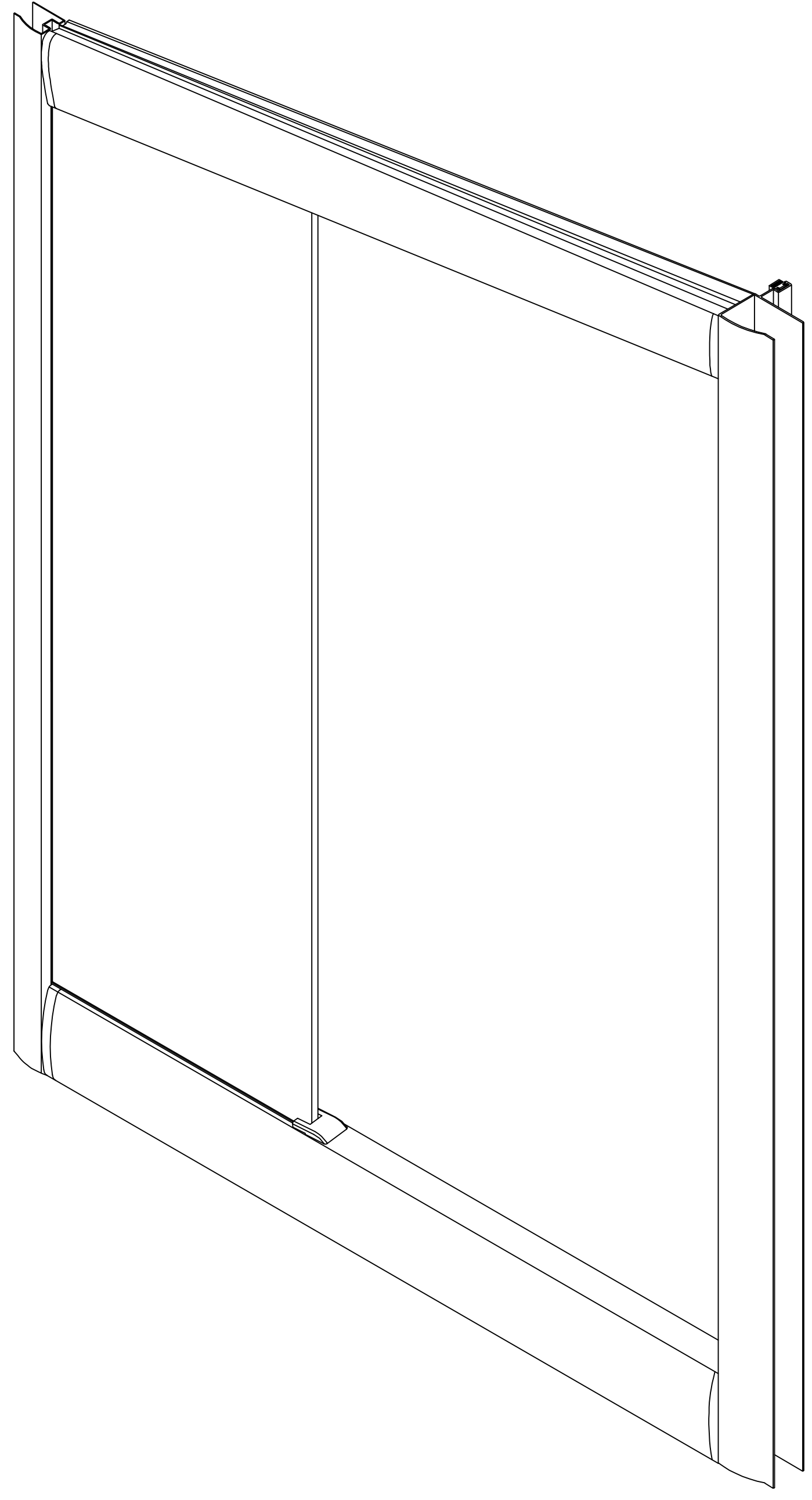
1



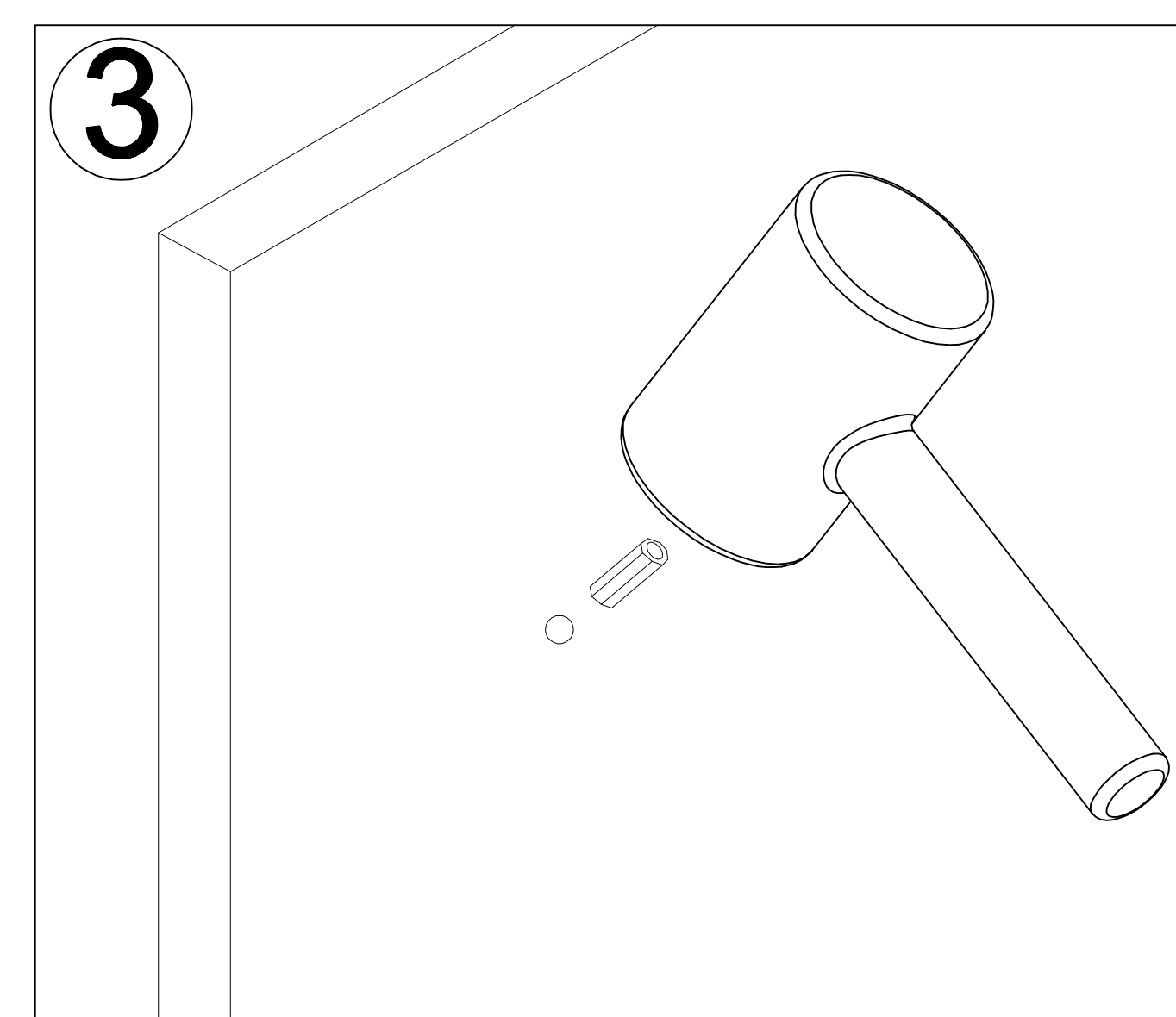
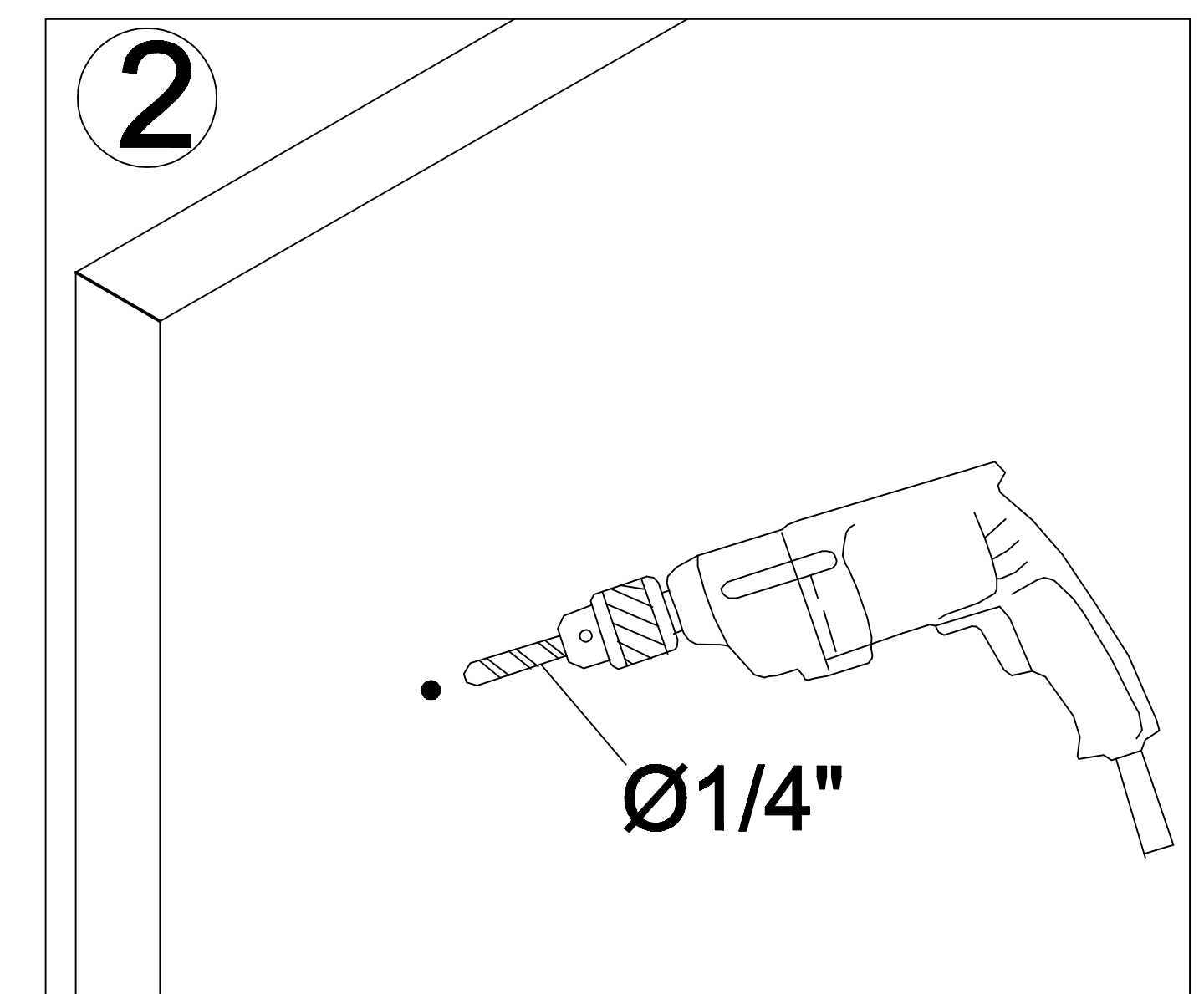
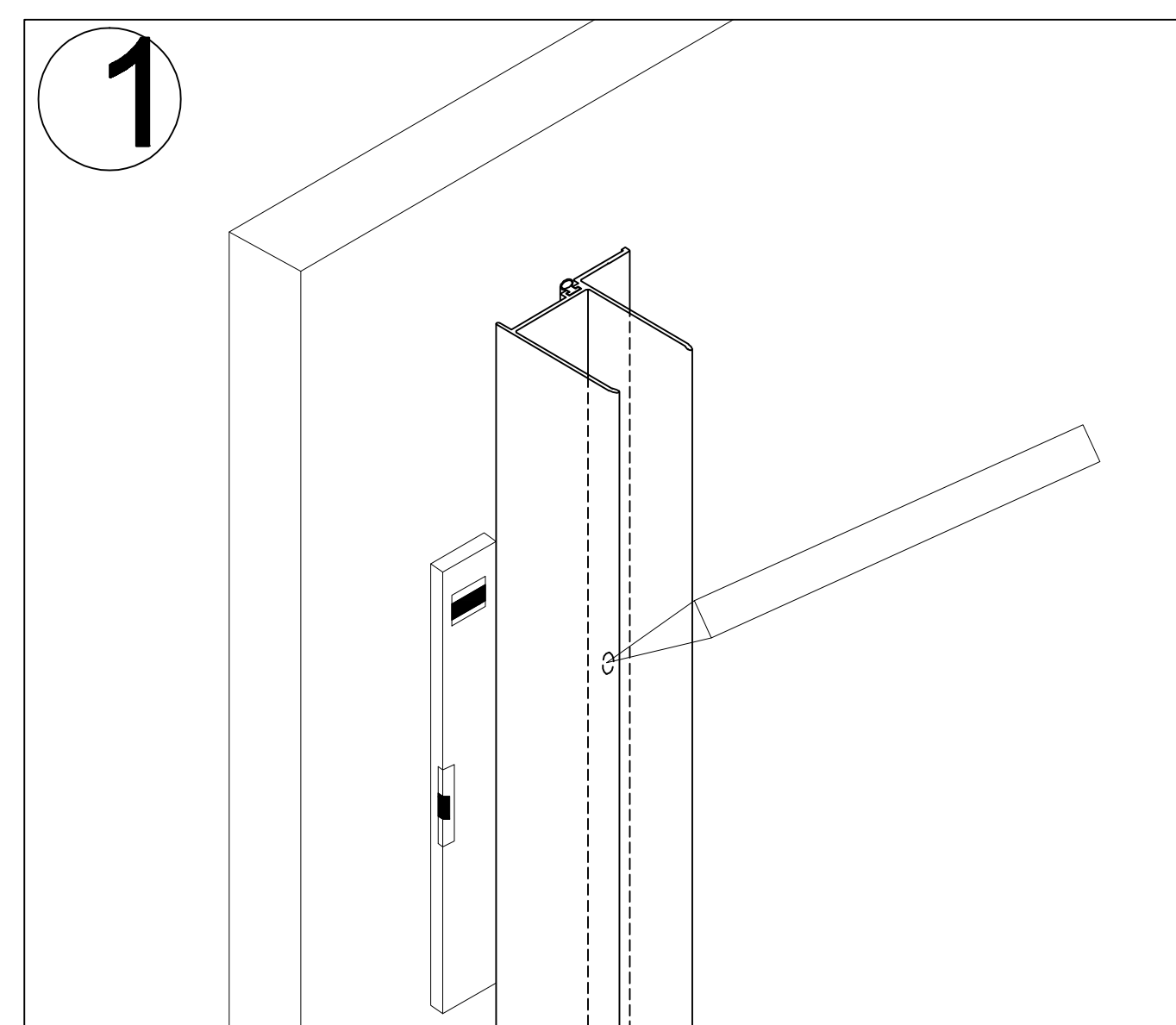
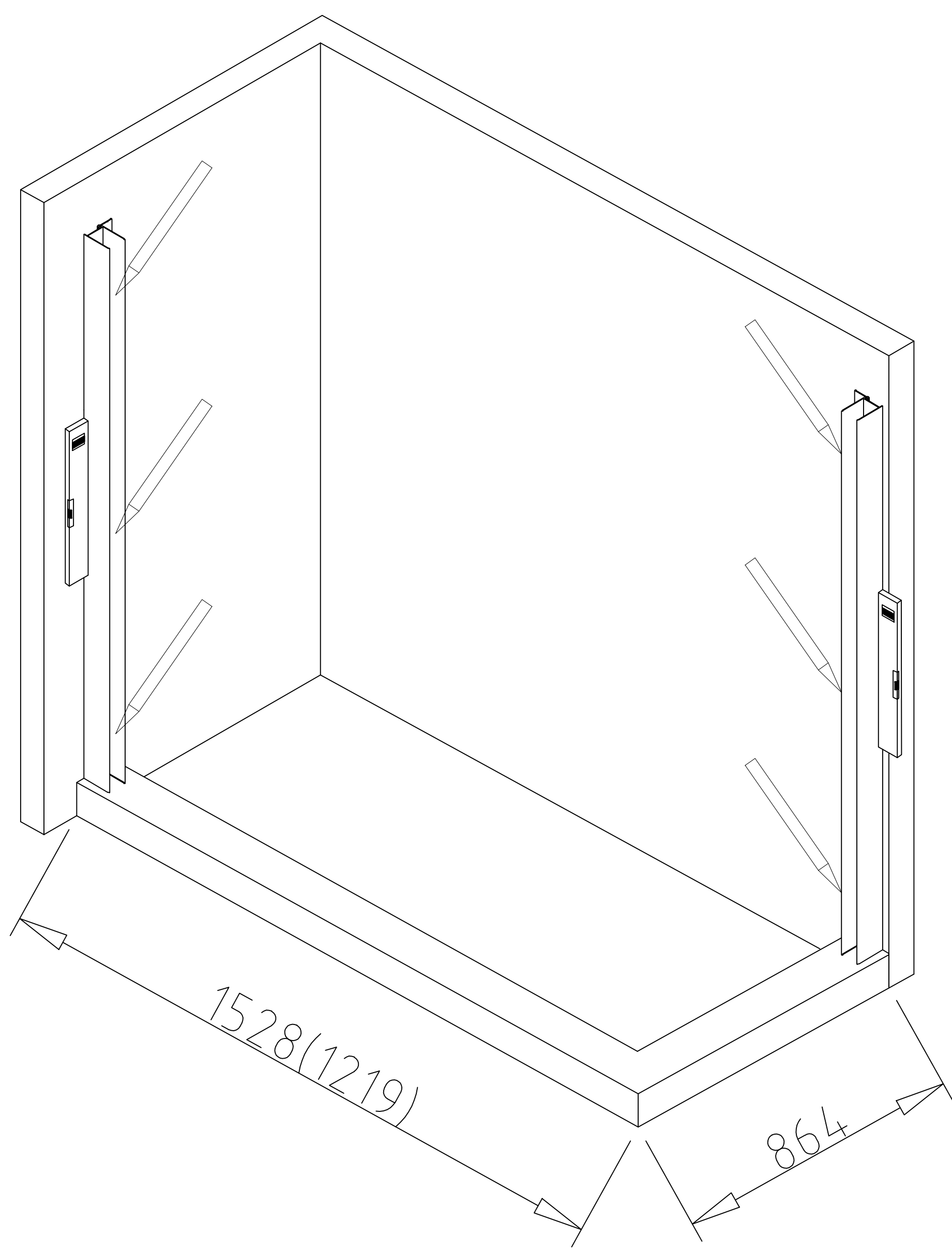
2



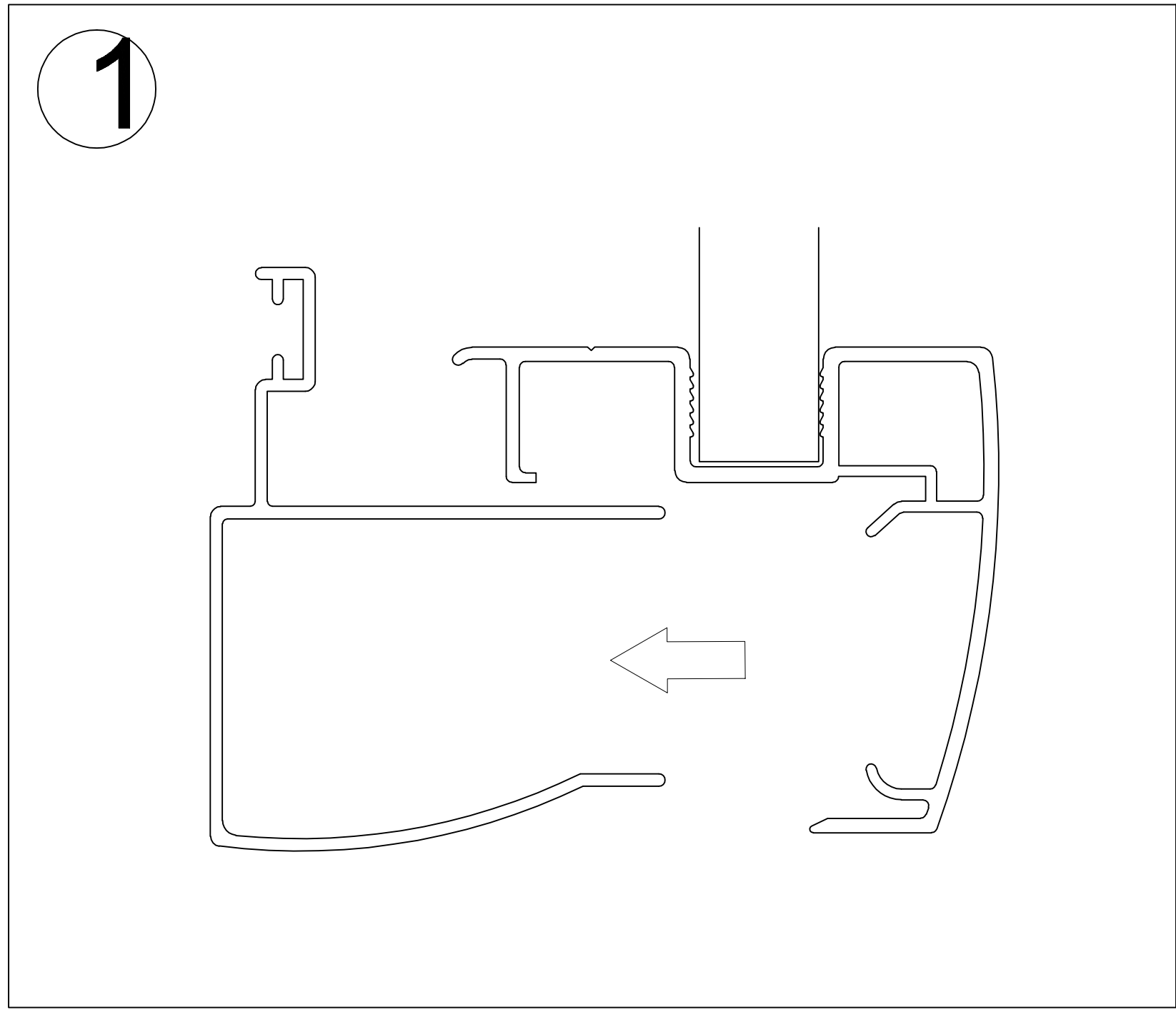
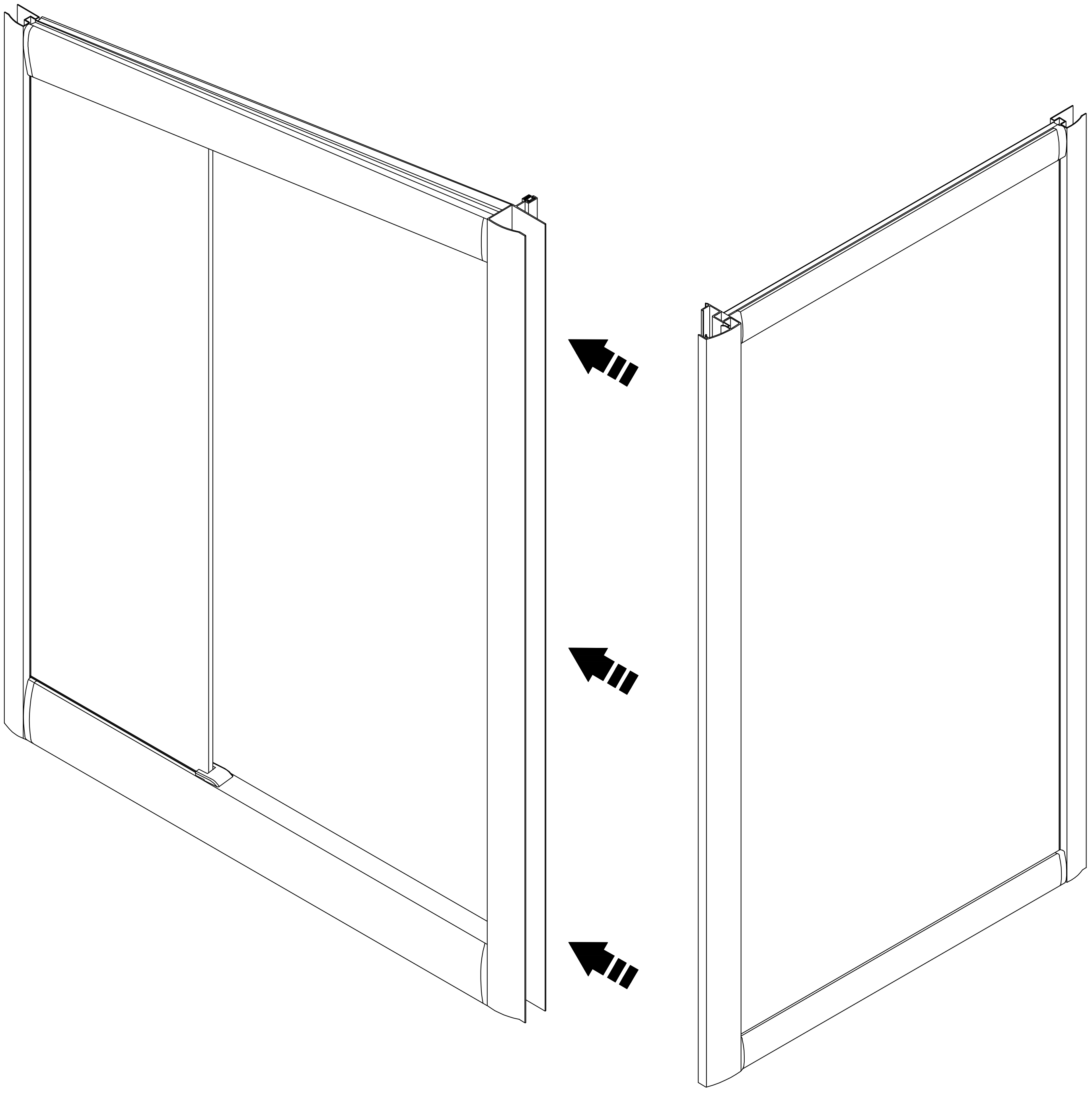
3



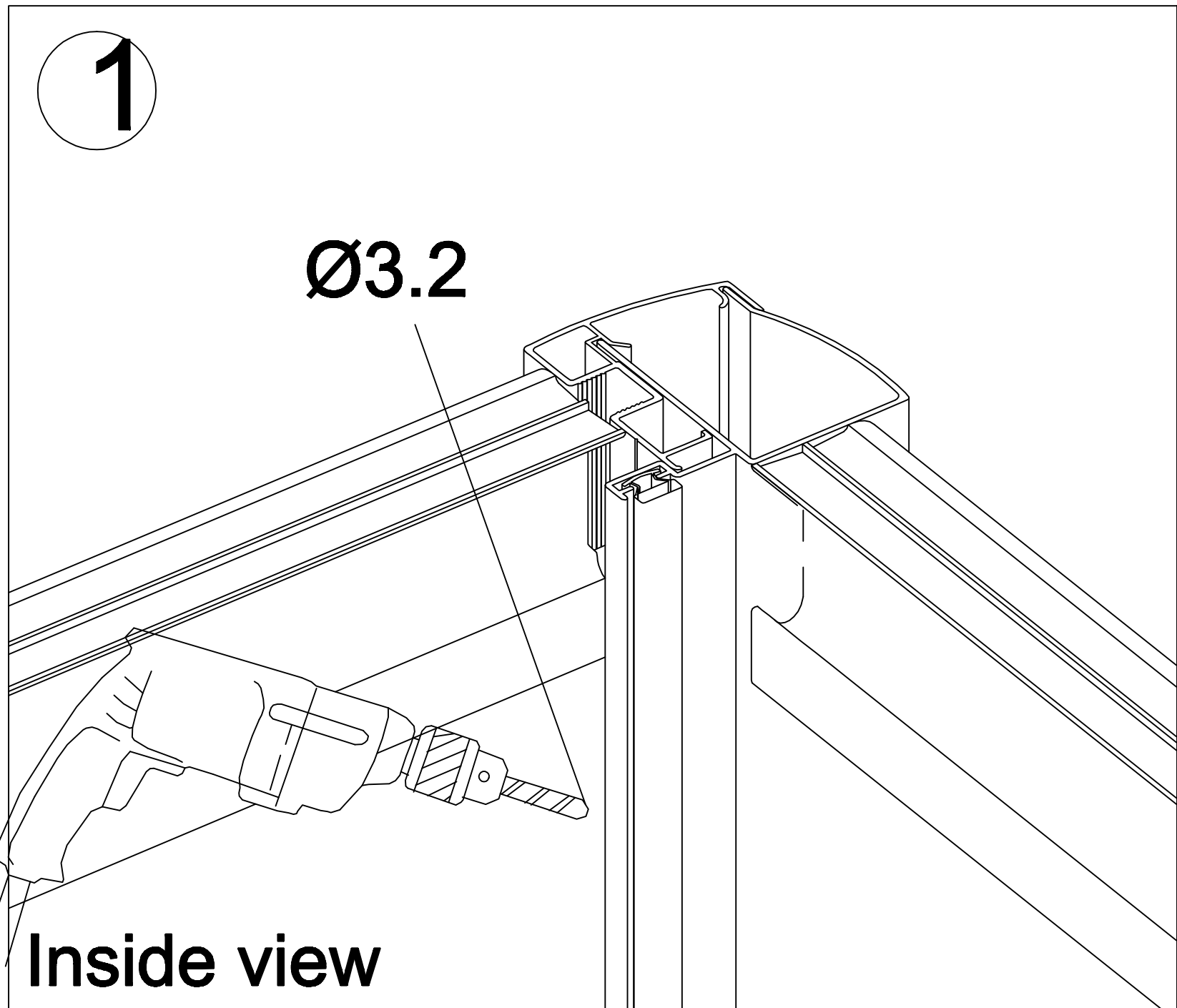
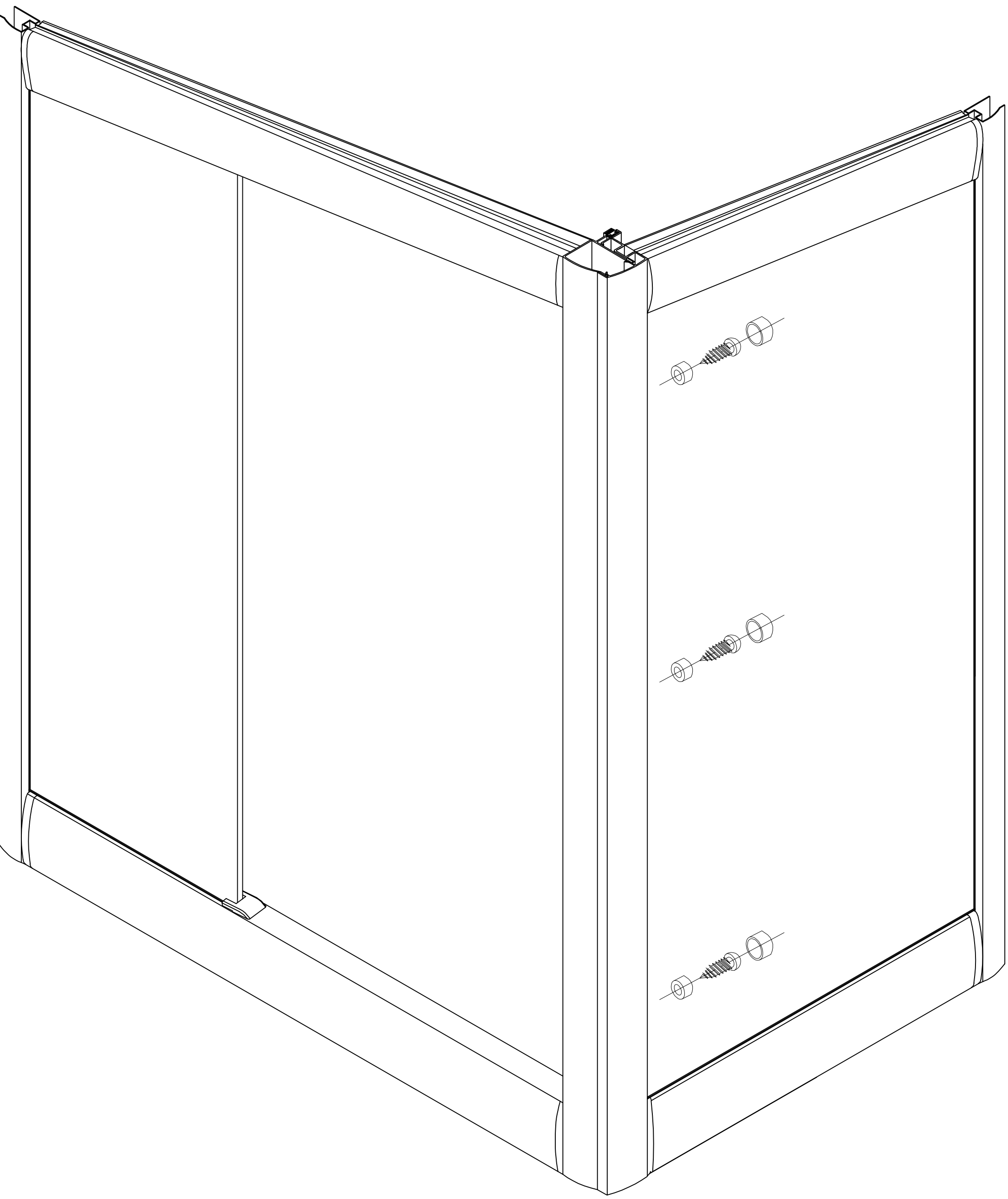
4



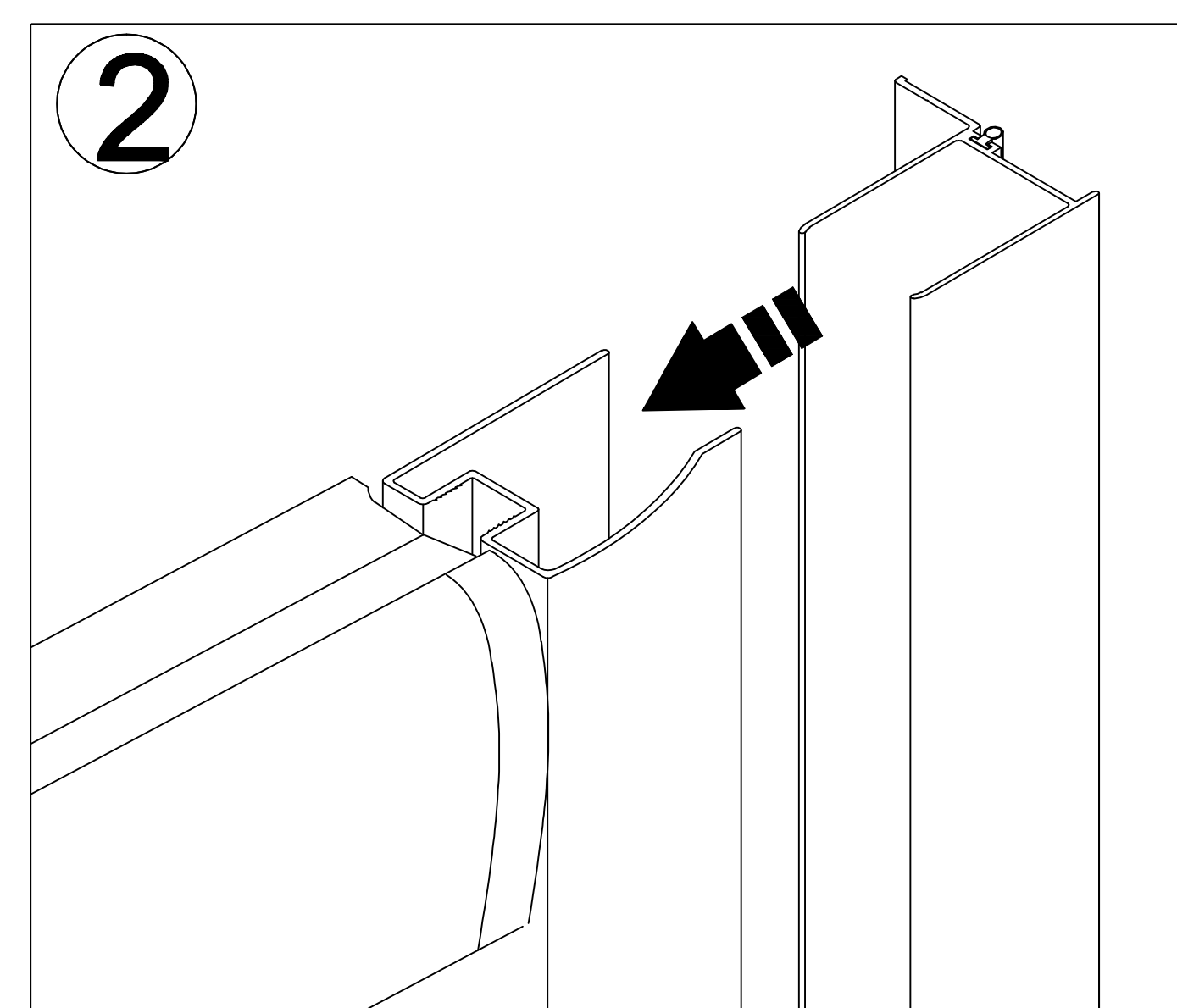
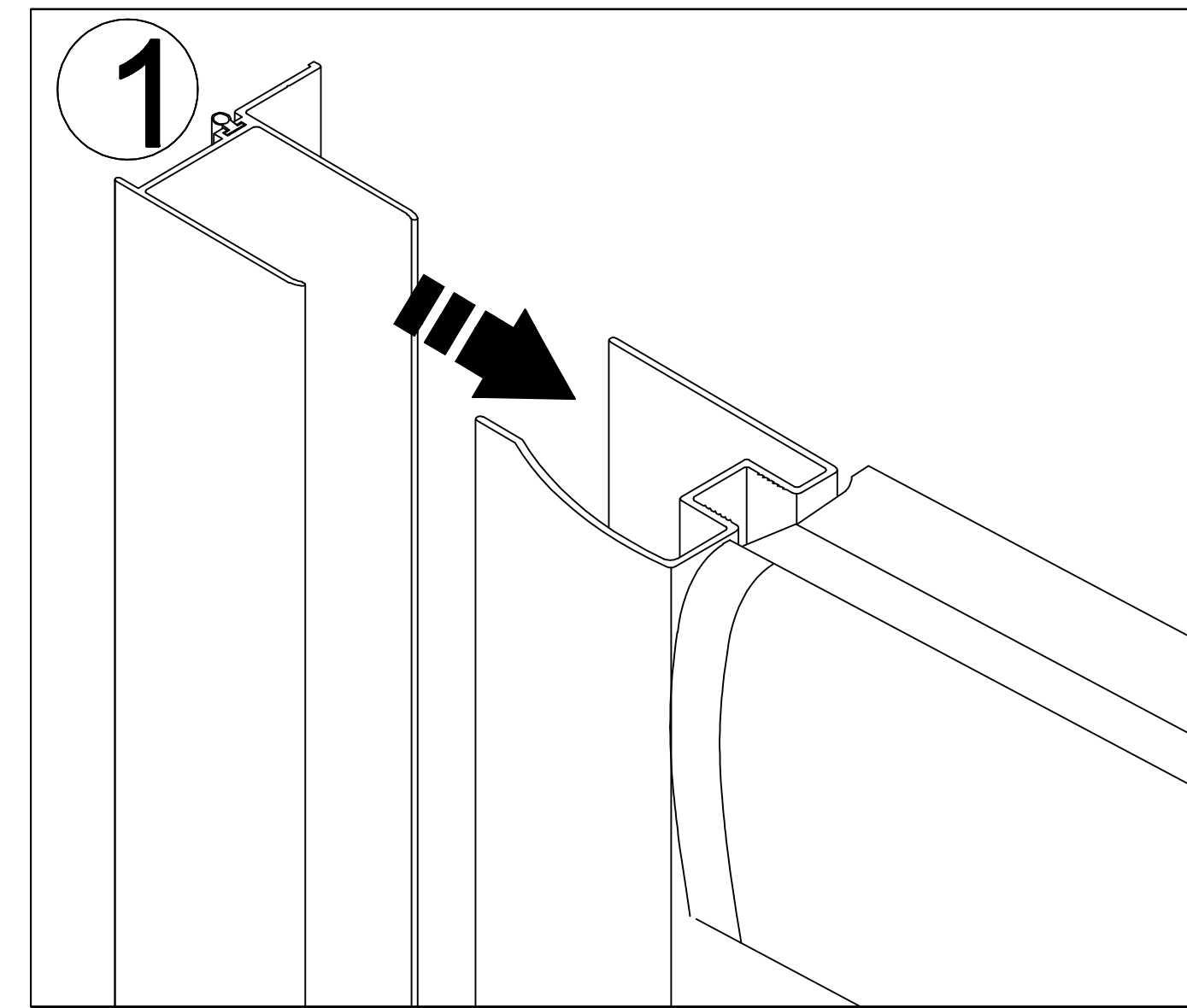
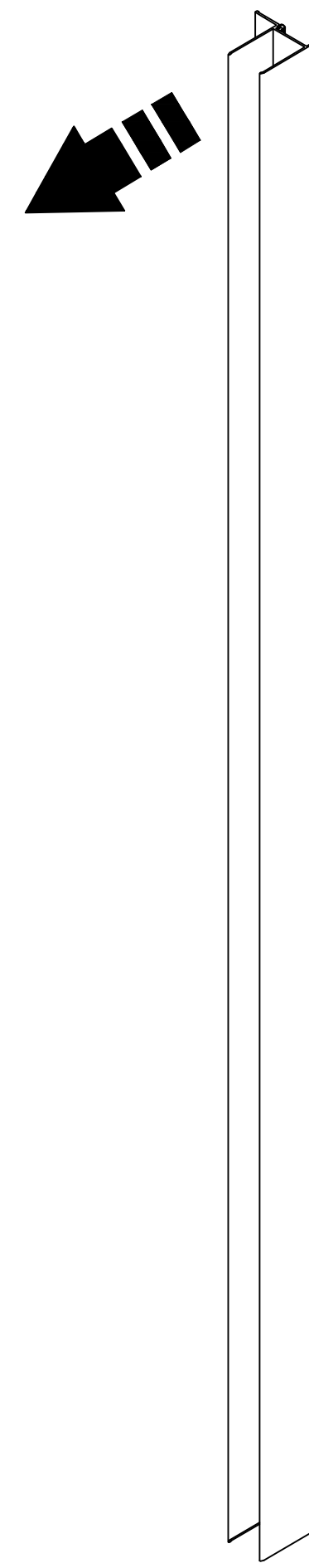
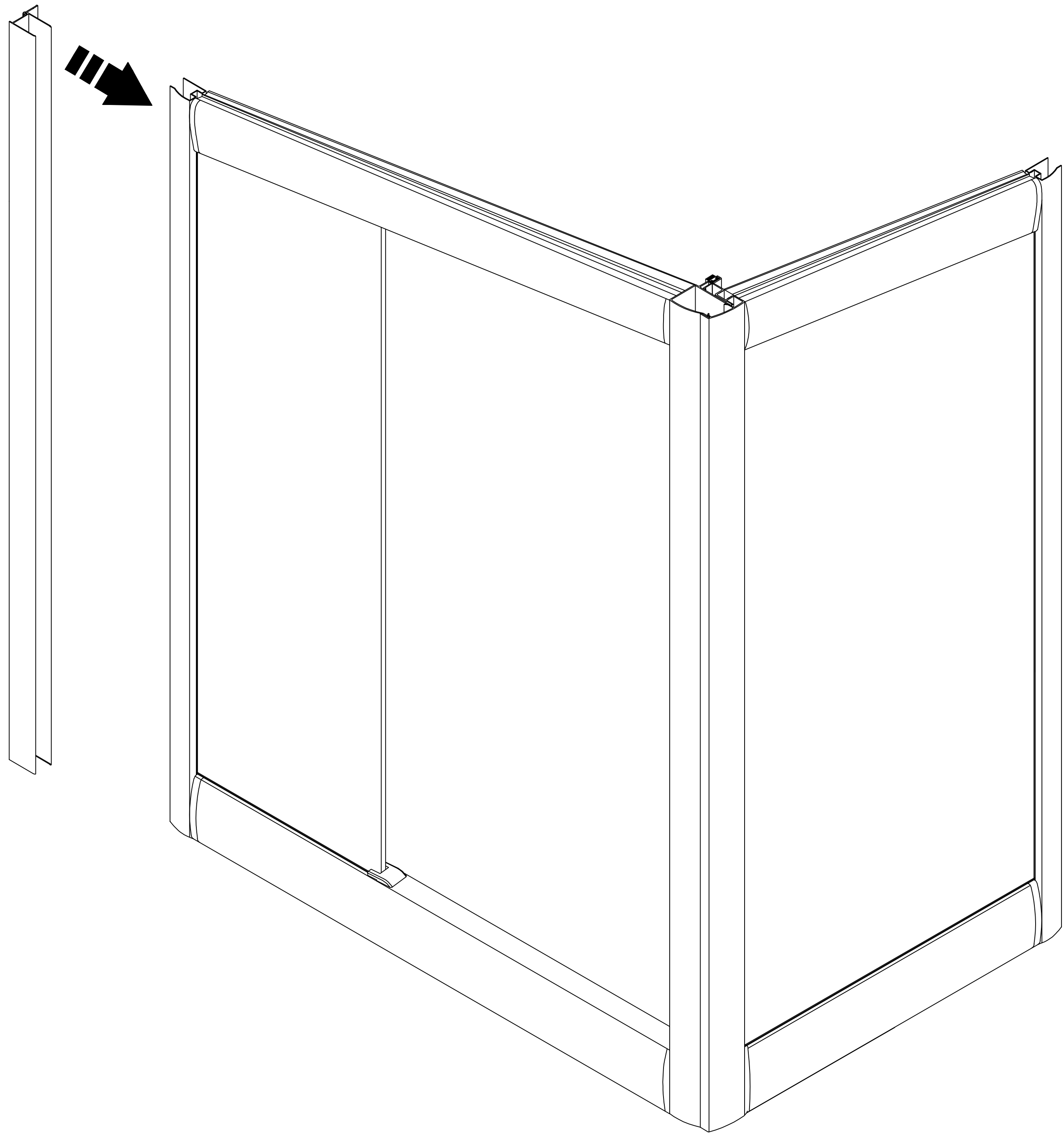
5



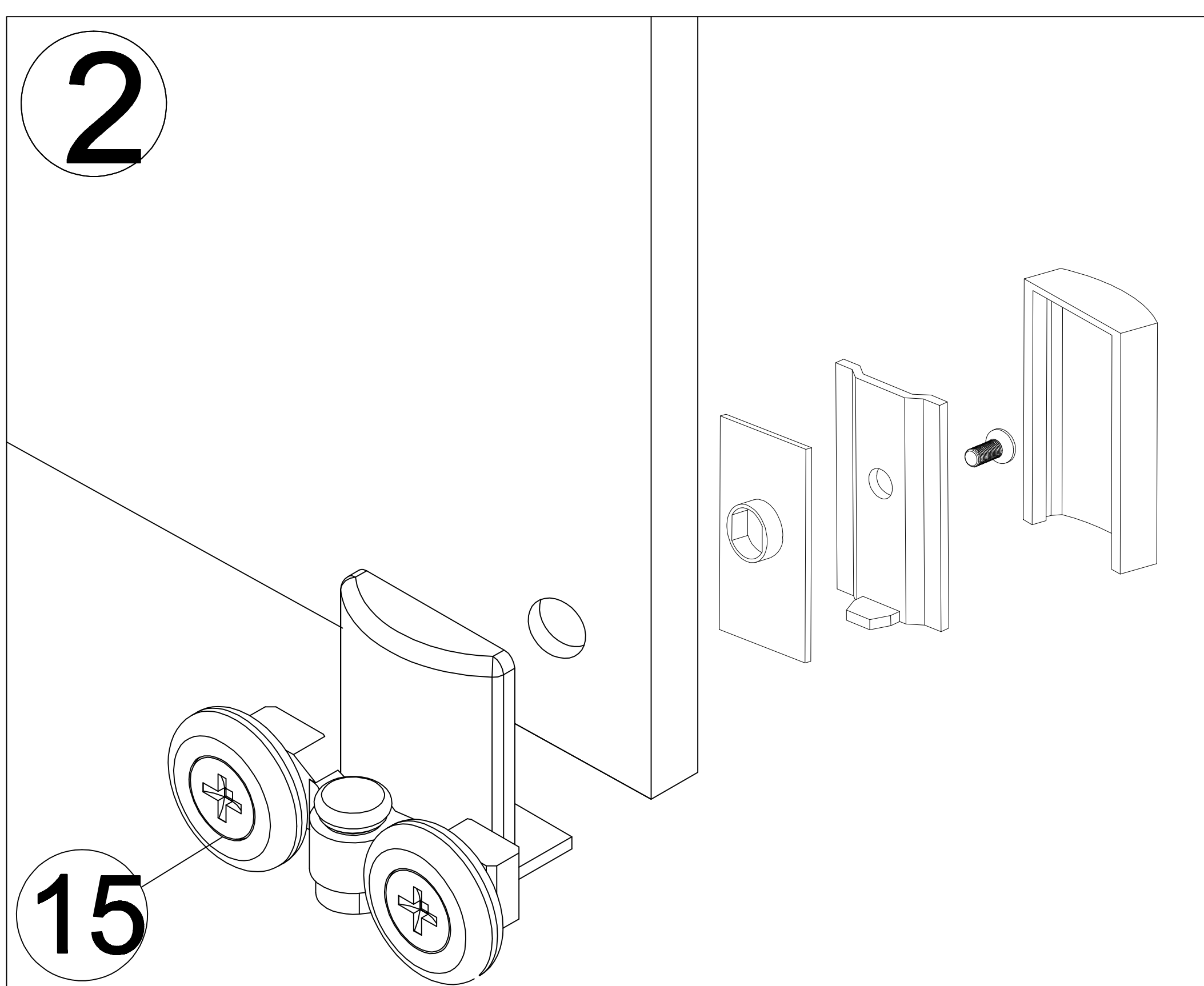
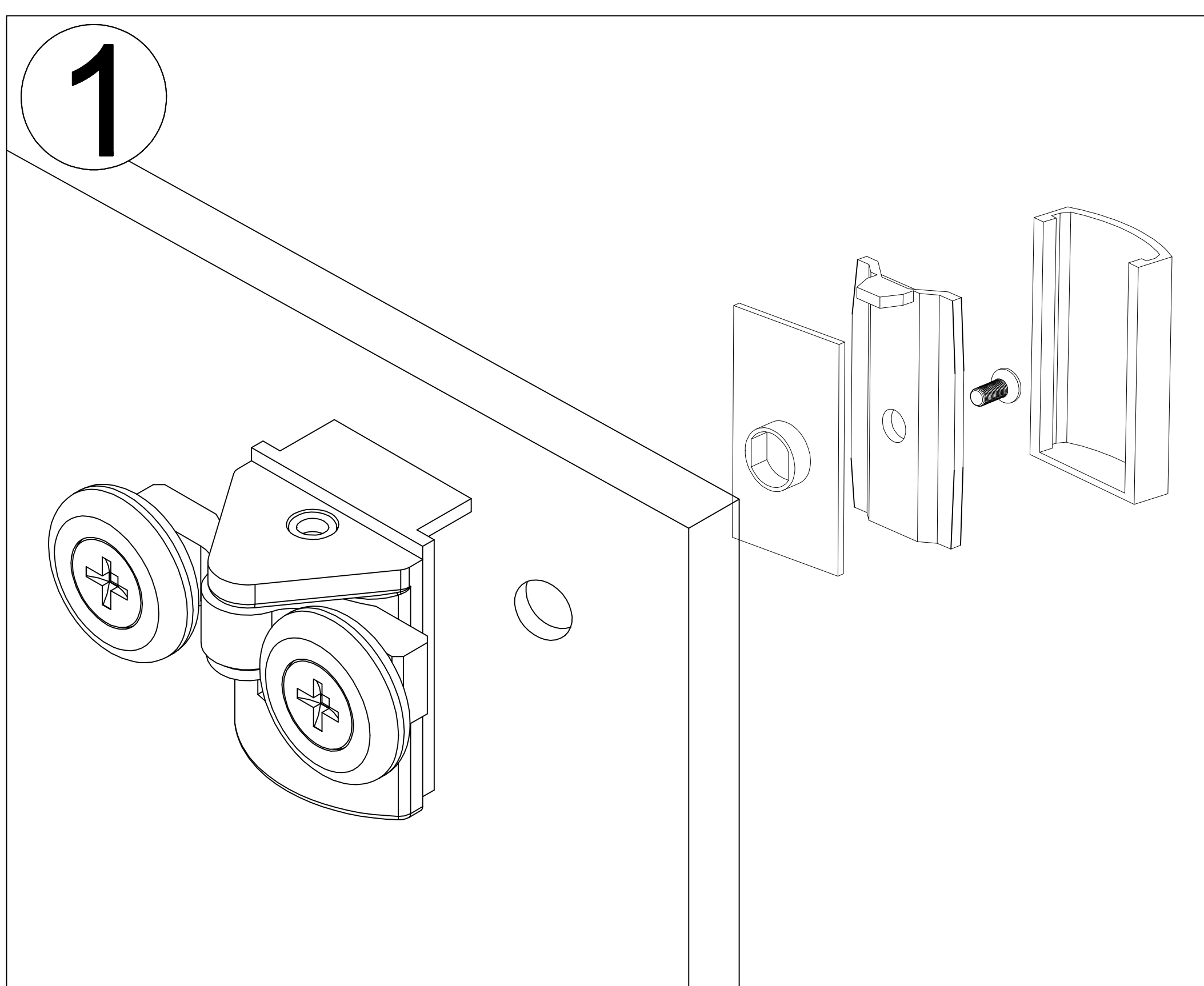
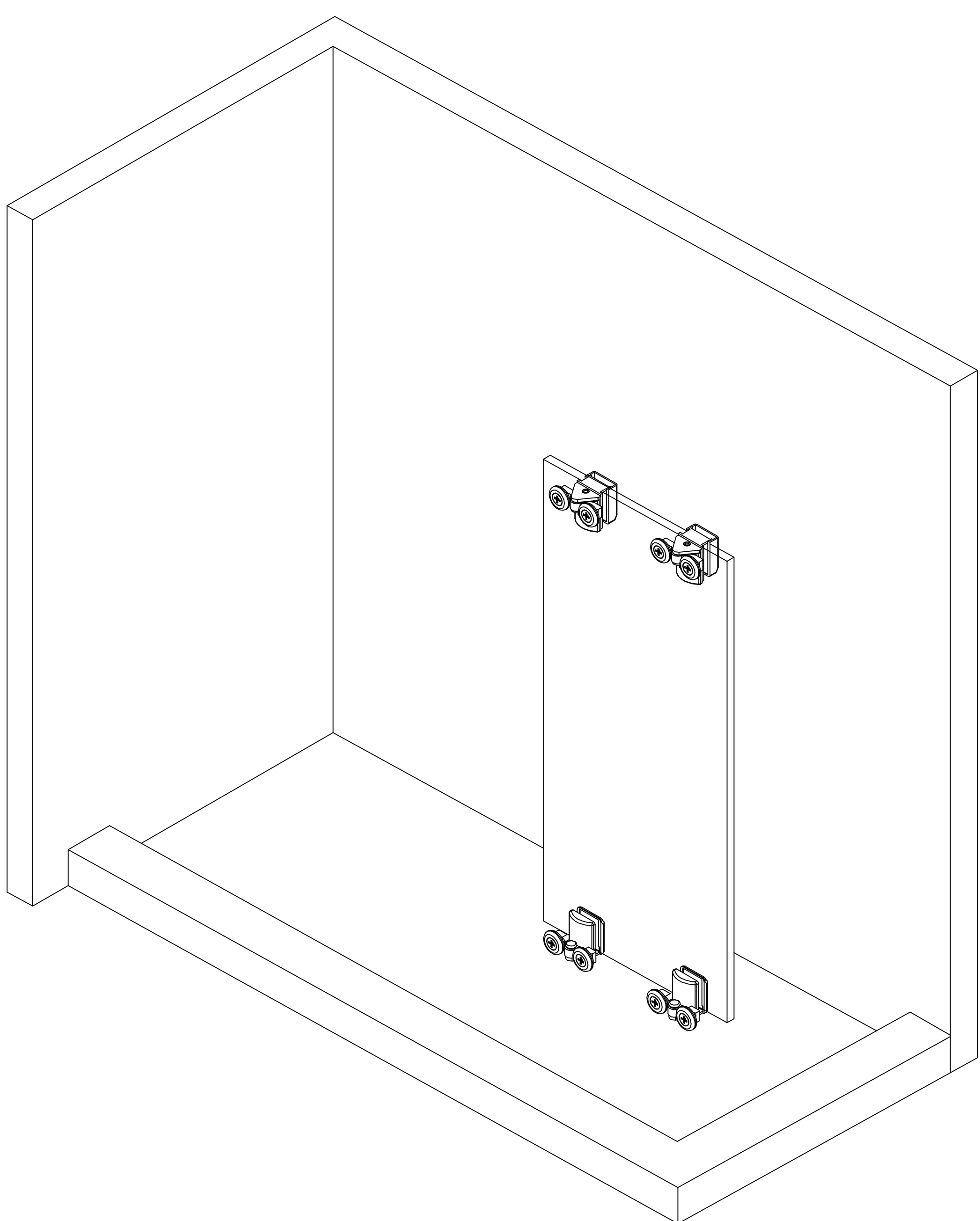
6



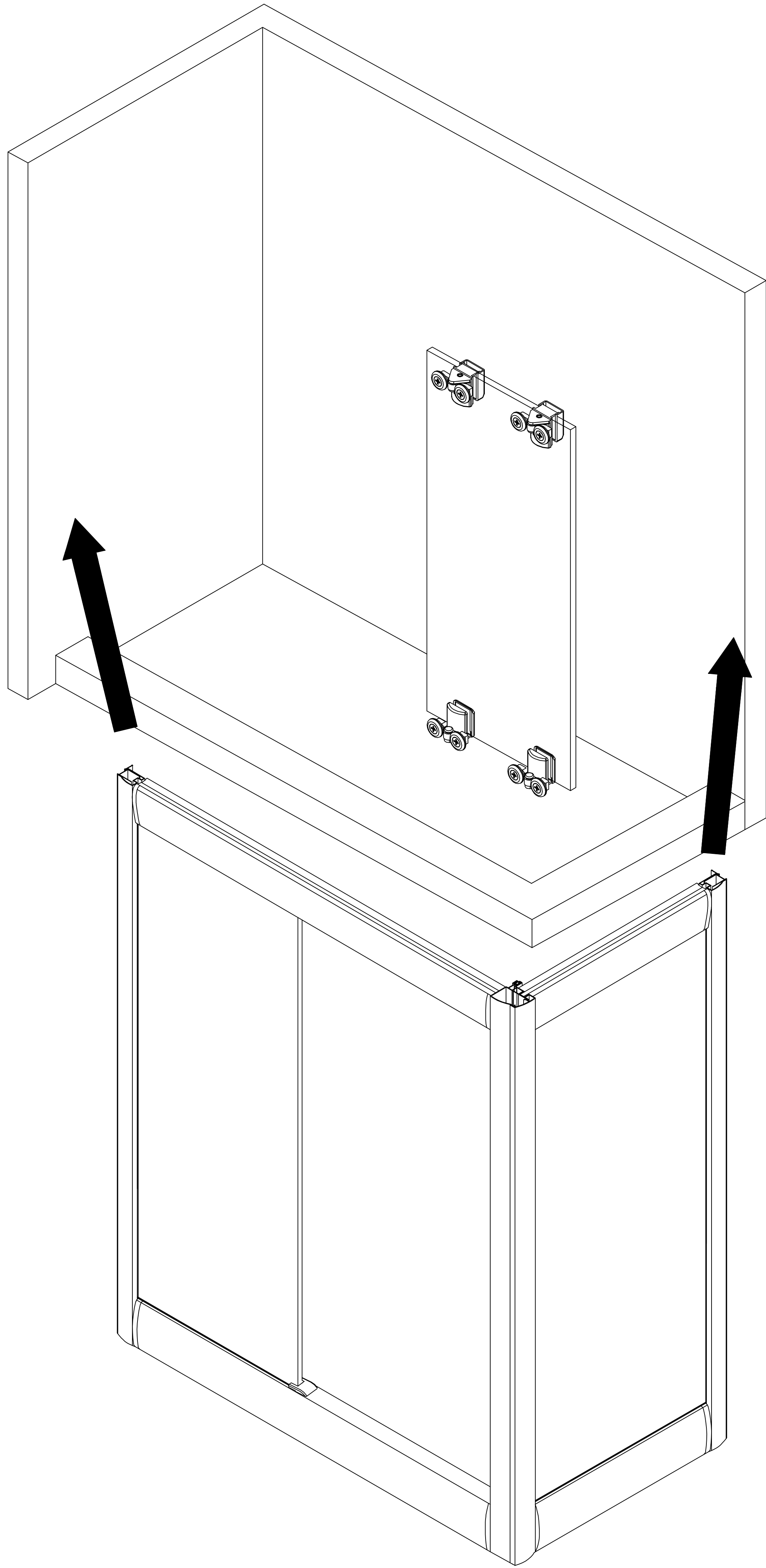
7



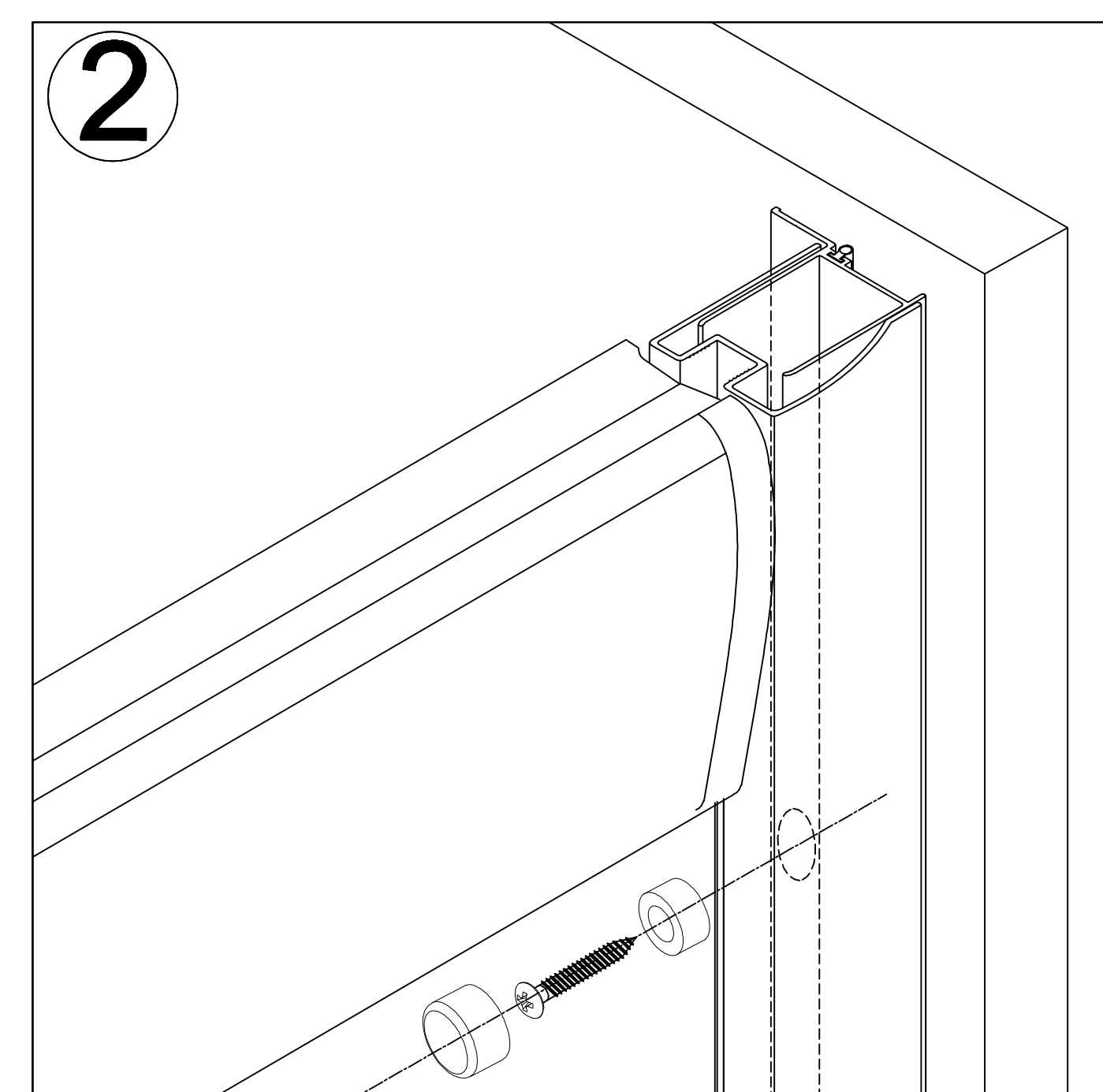
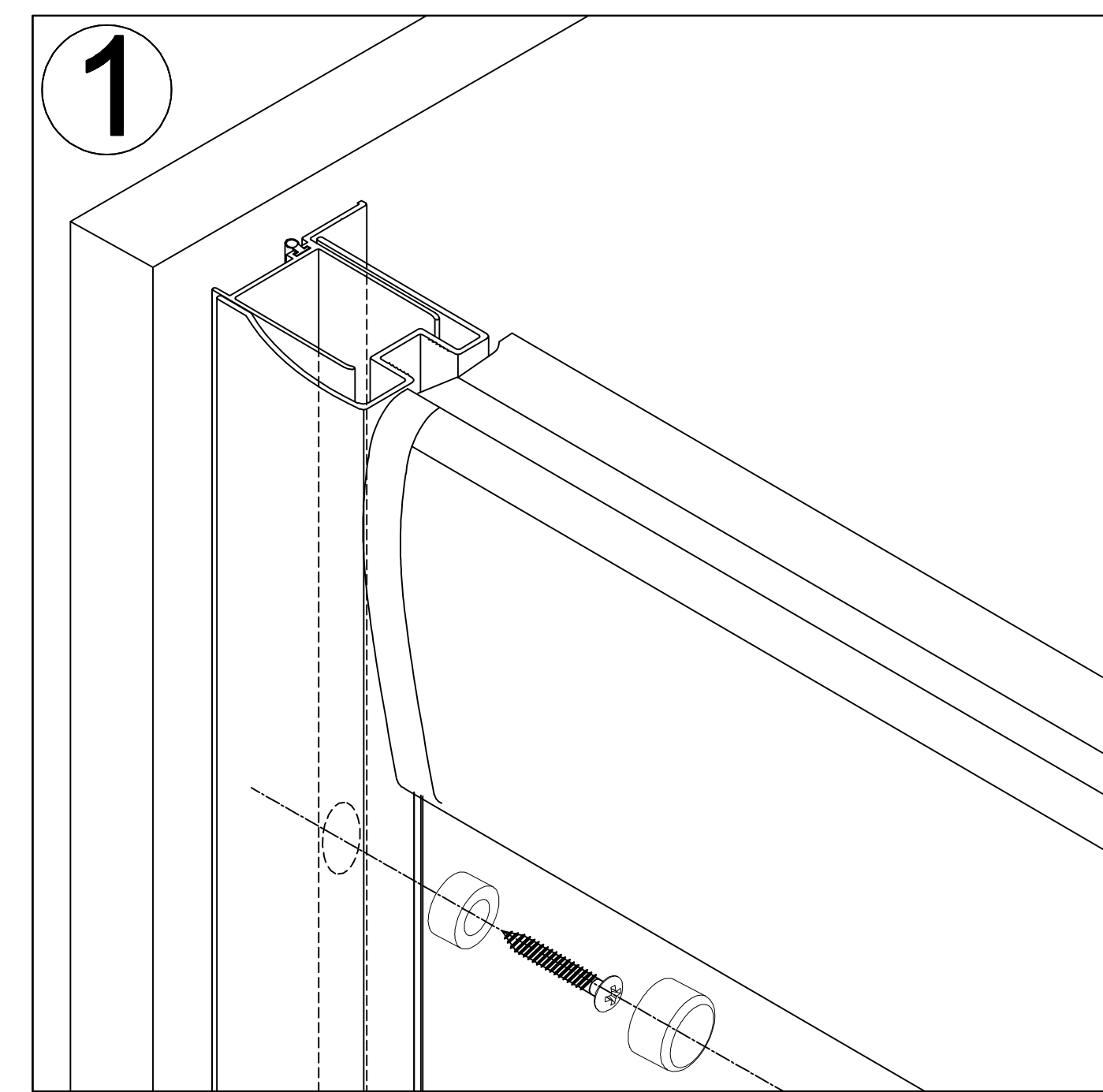
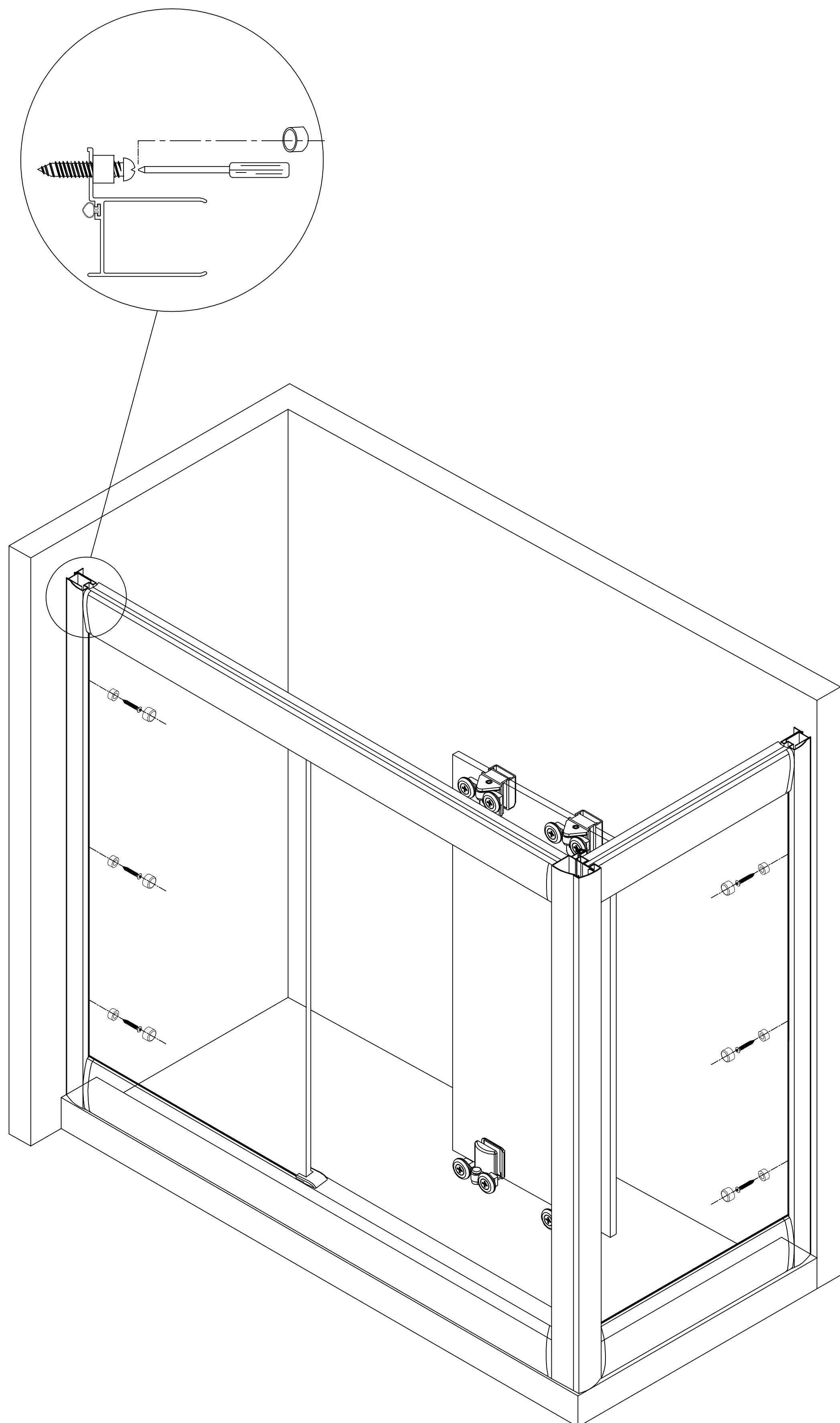
8



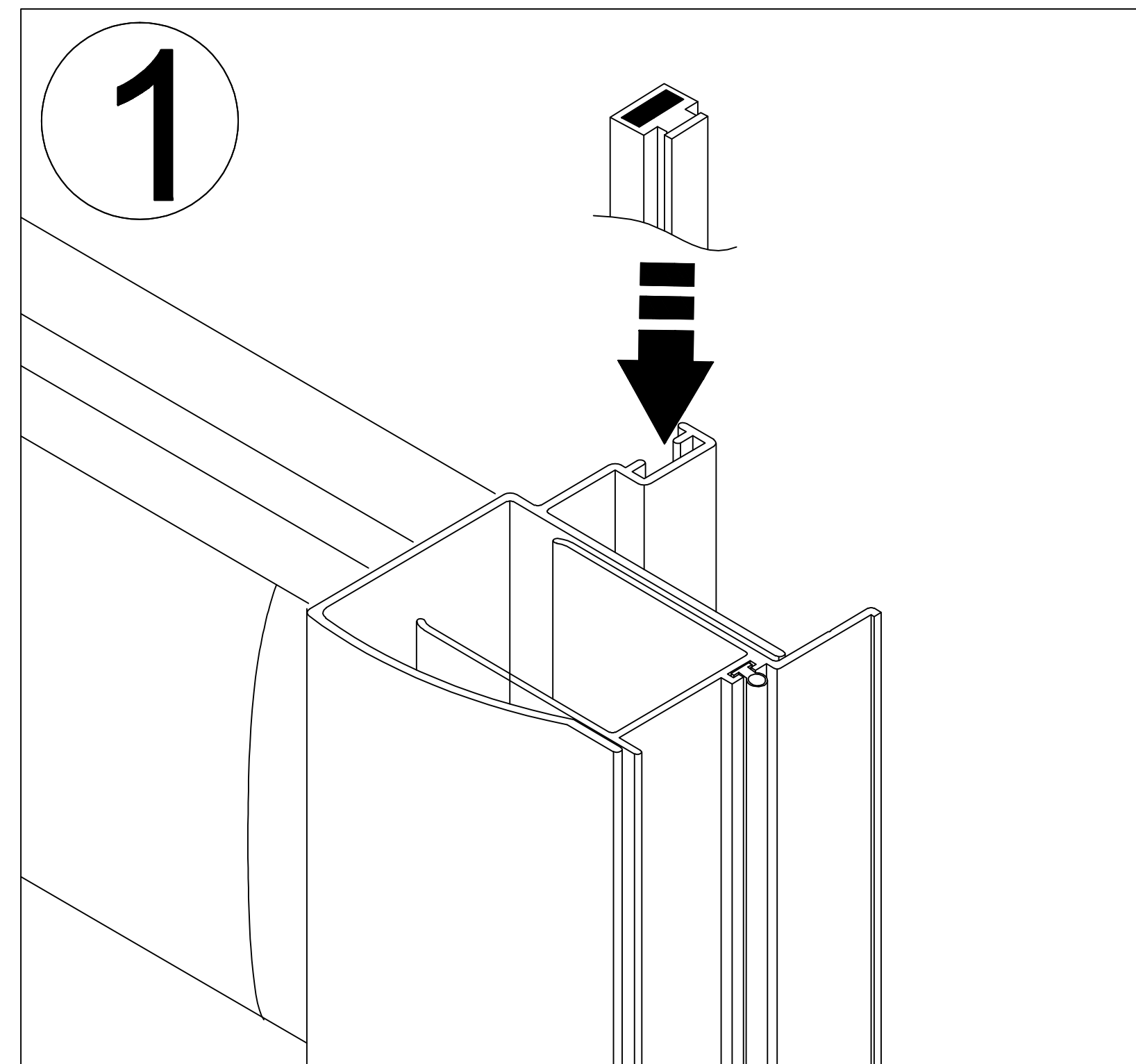
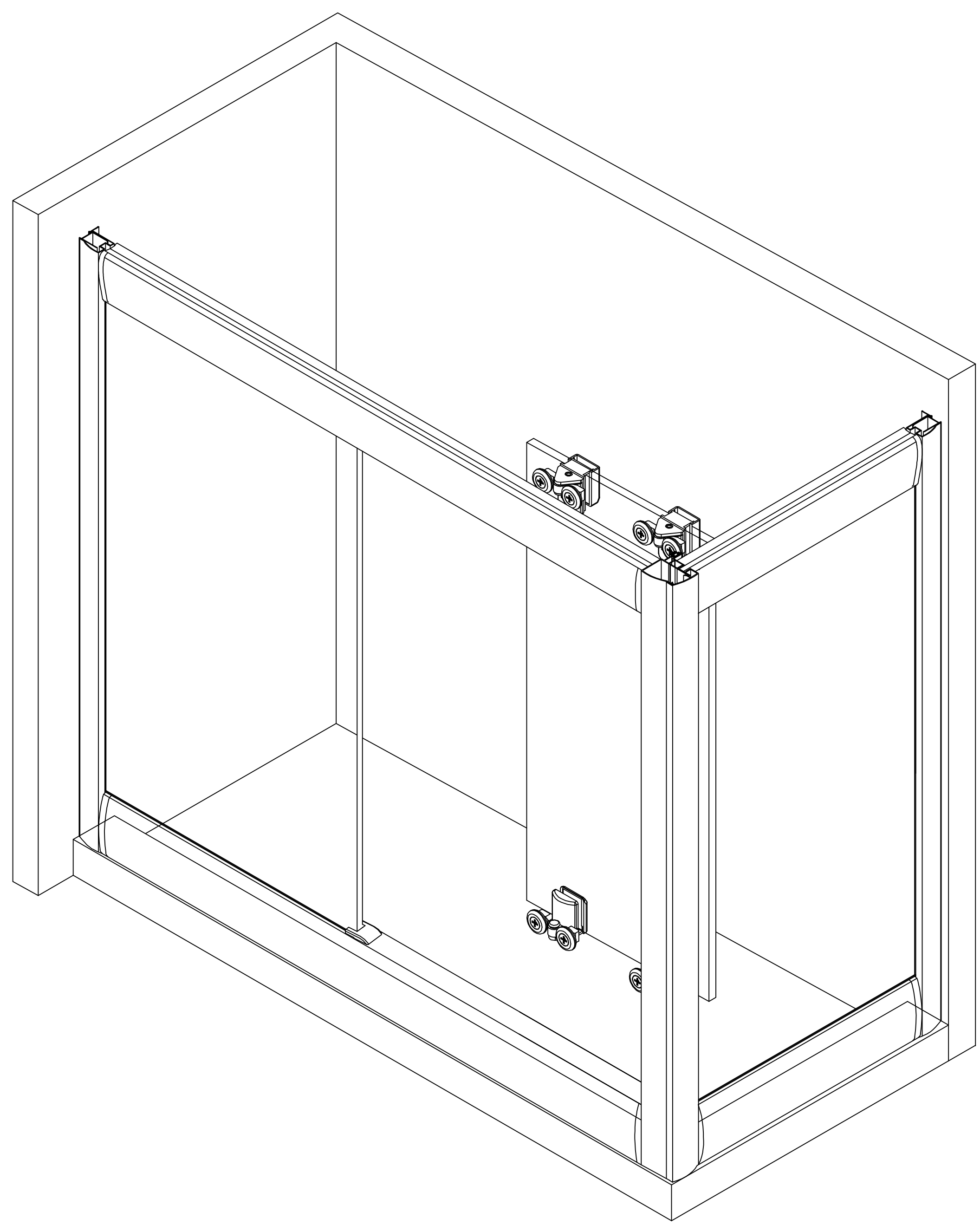
9



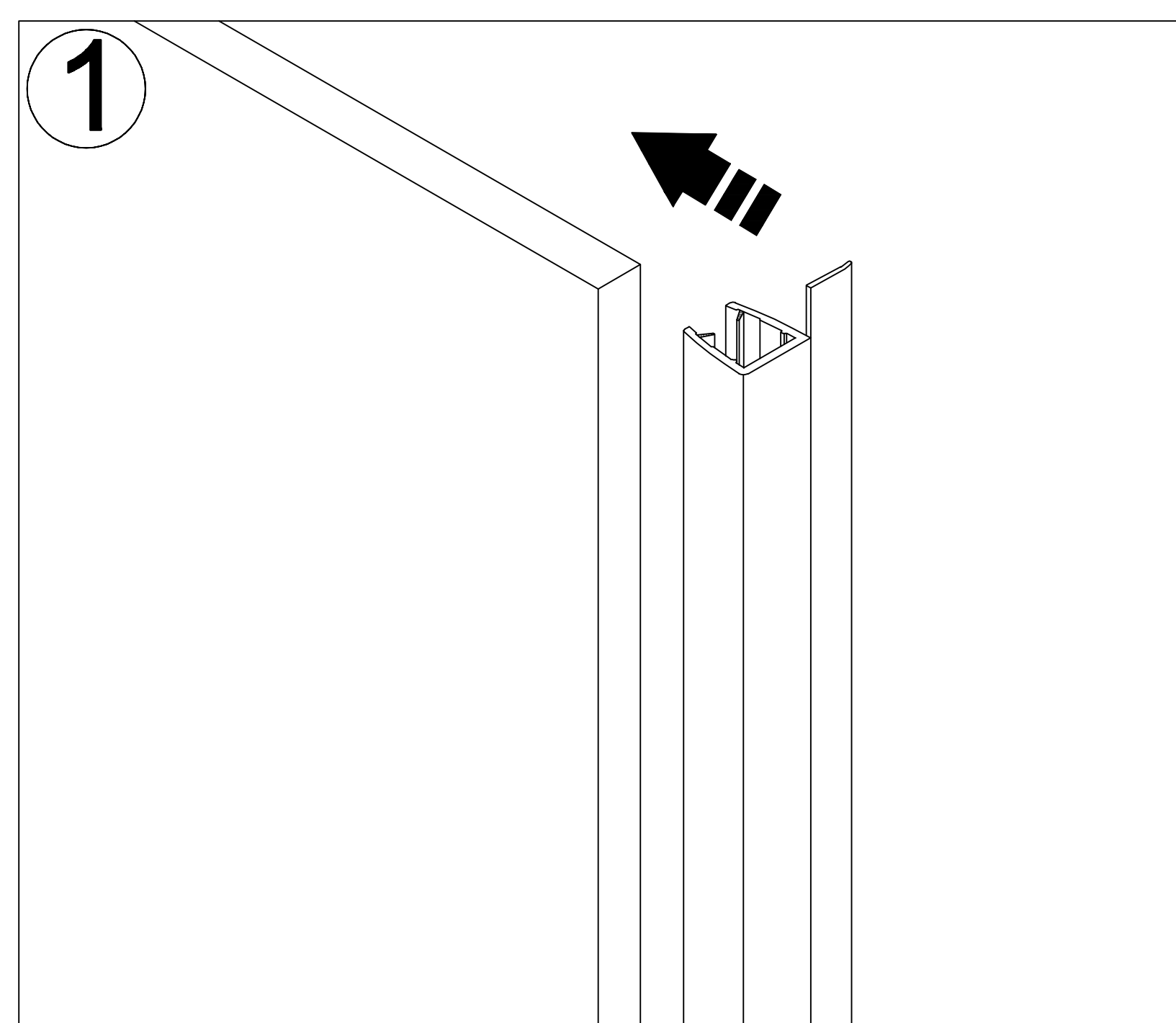
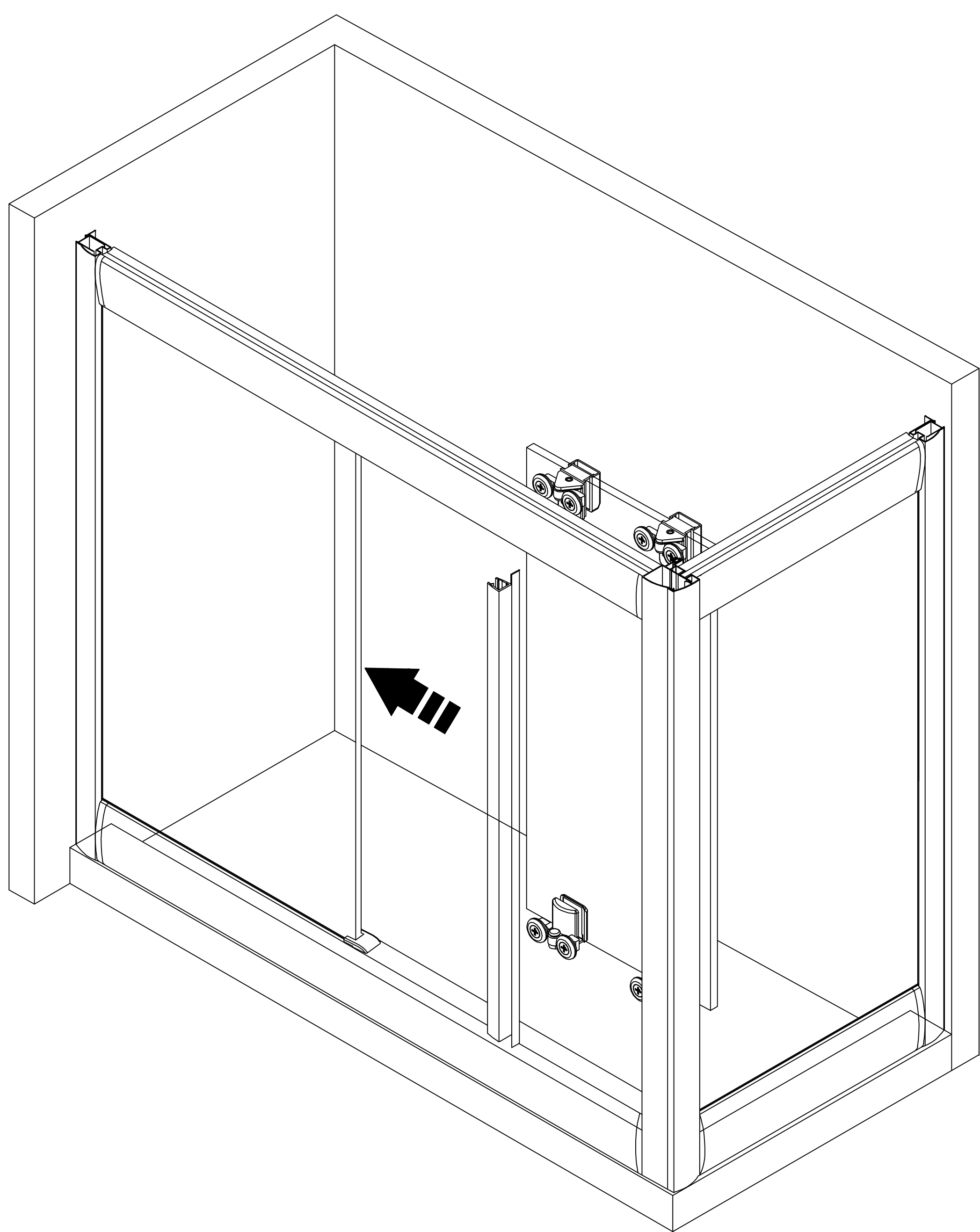
10



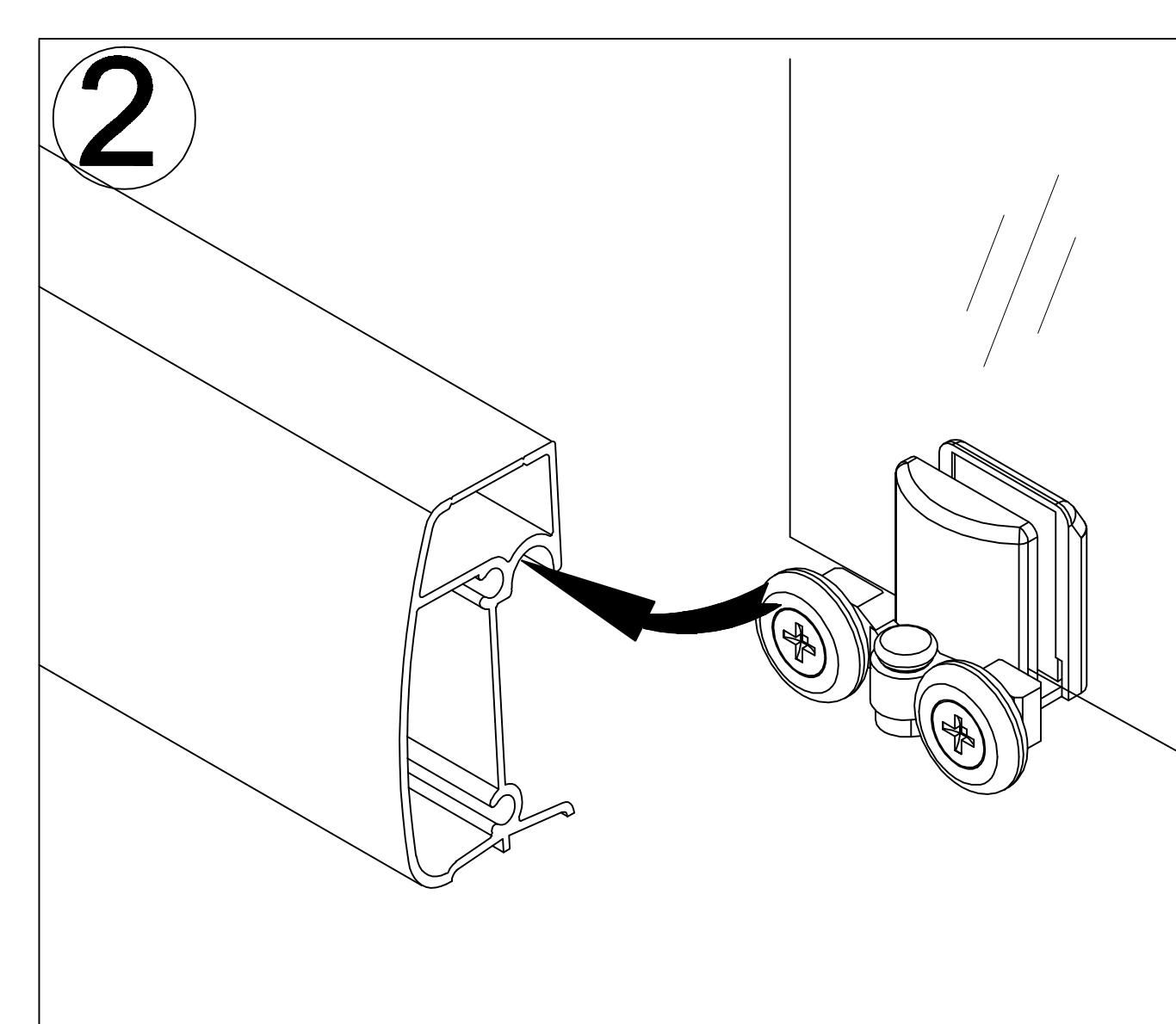
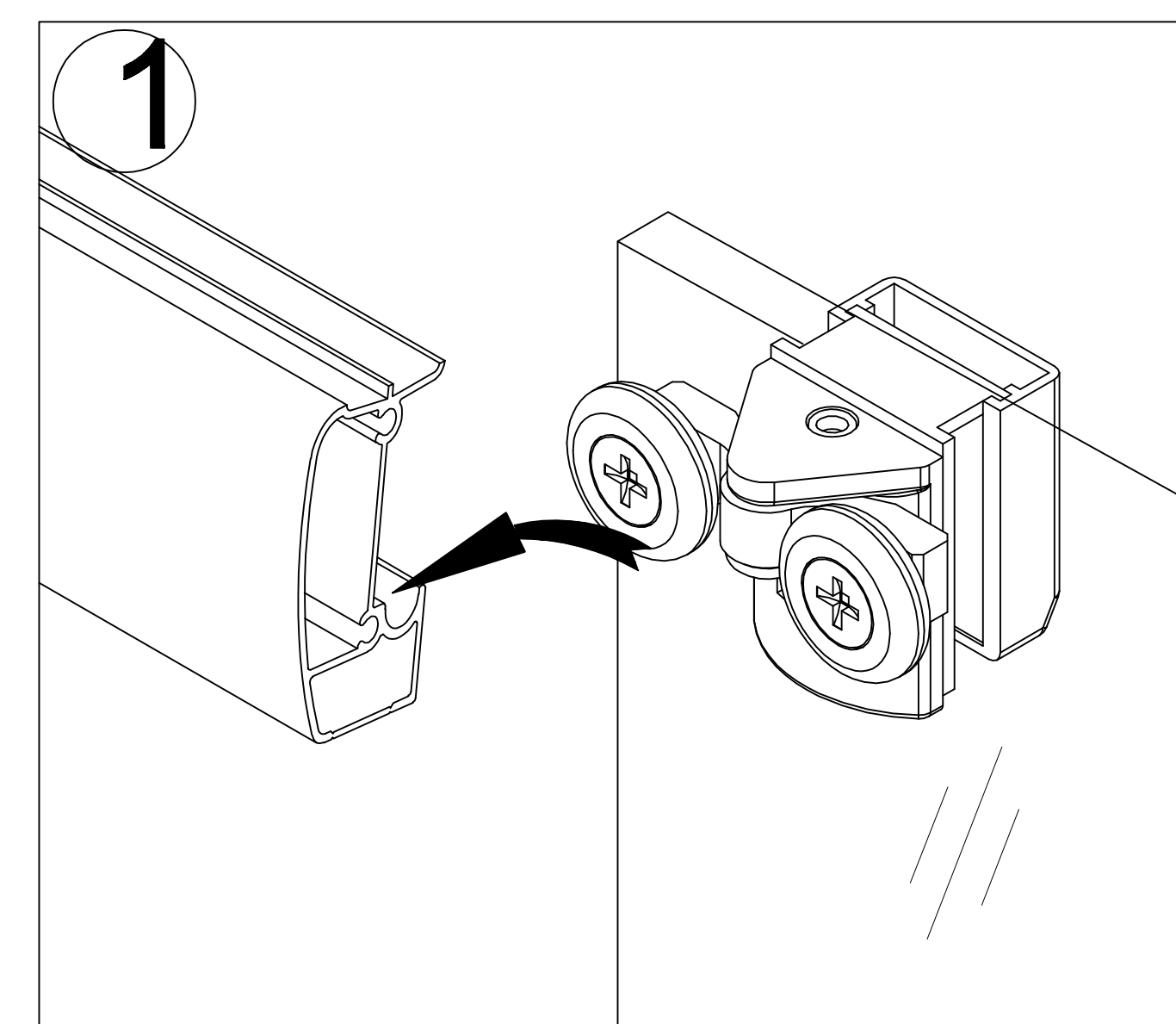
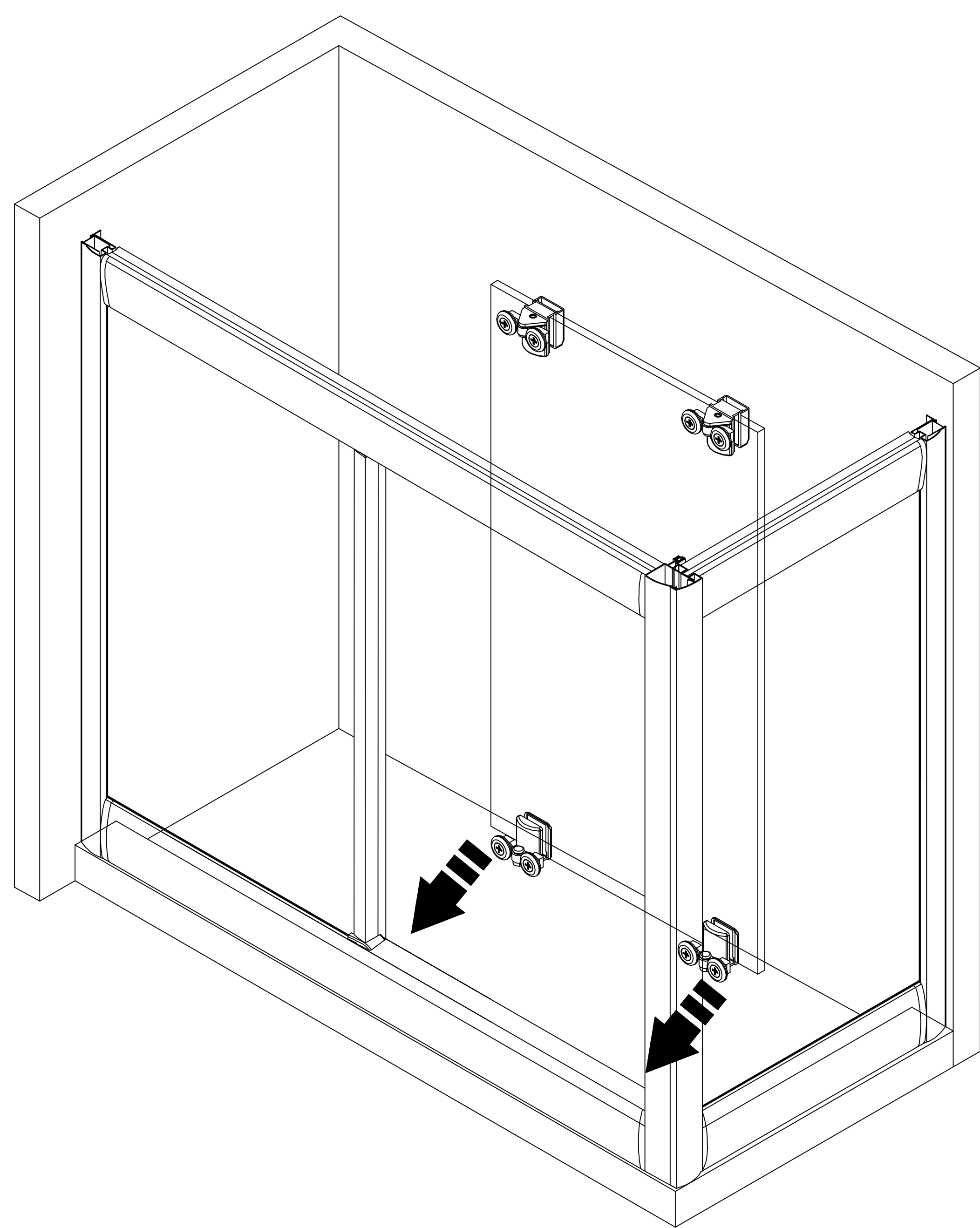
11



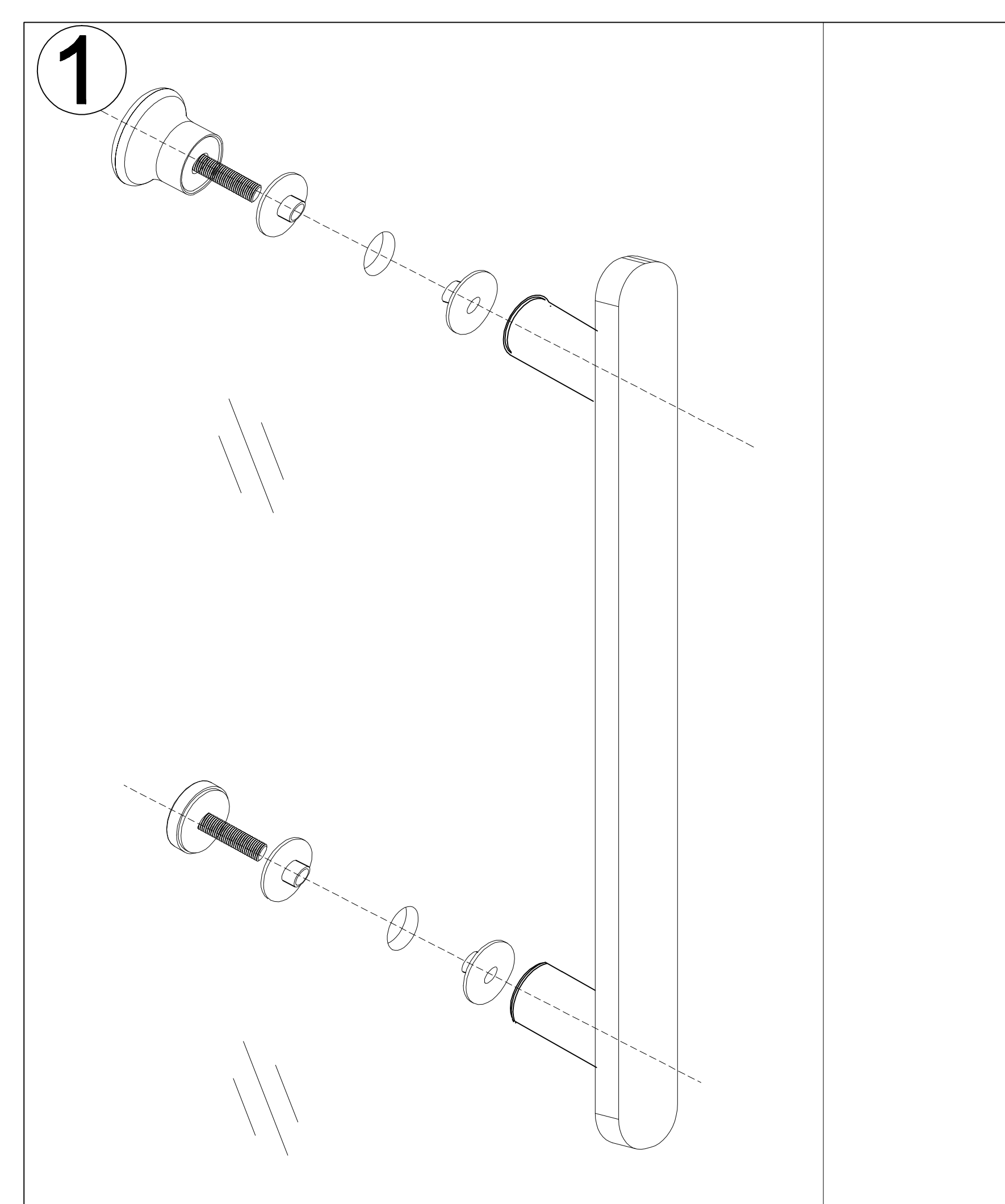
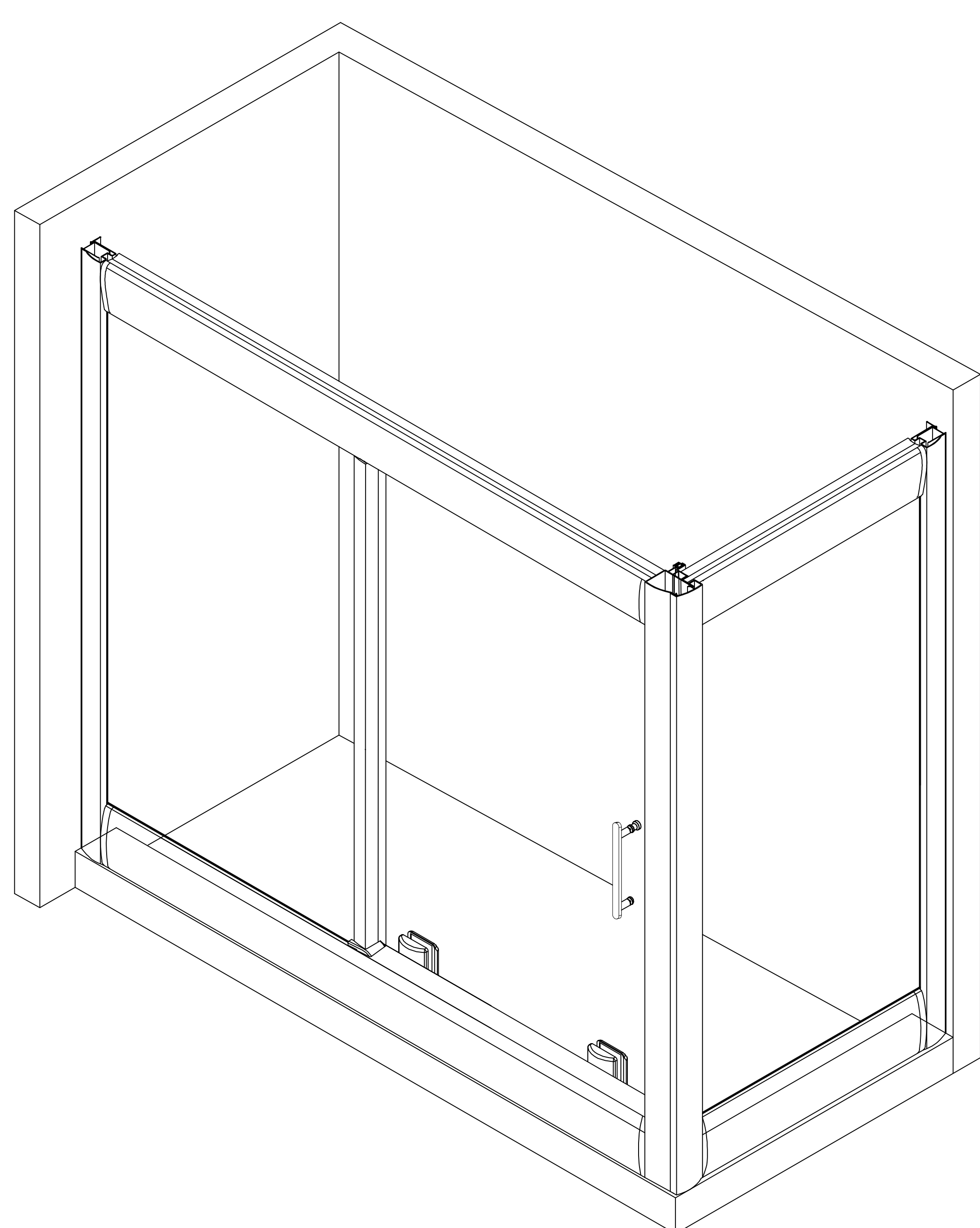
12



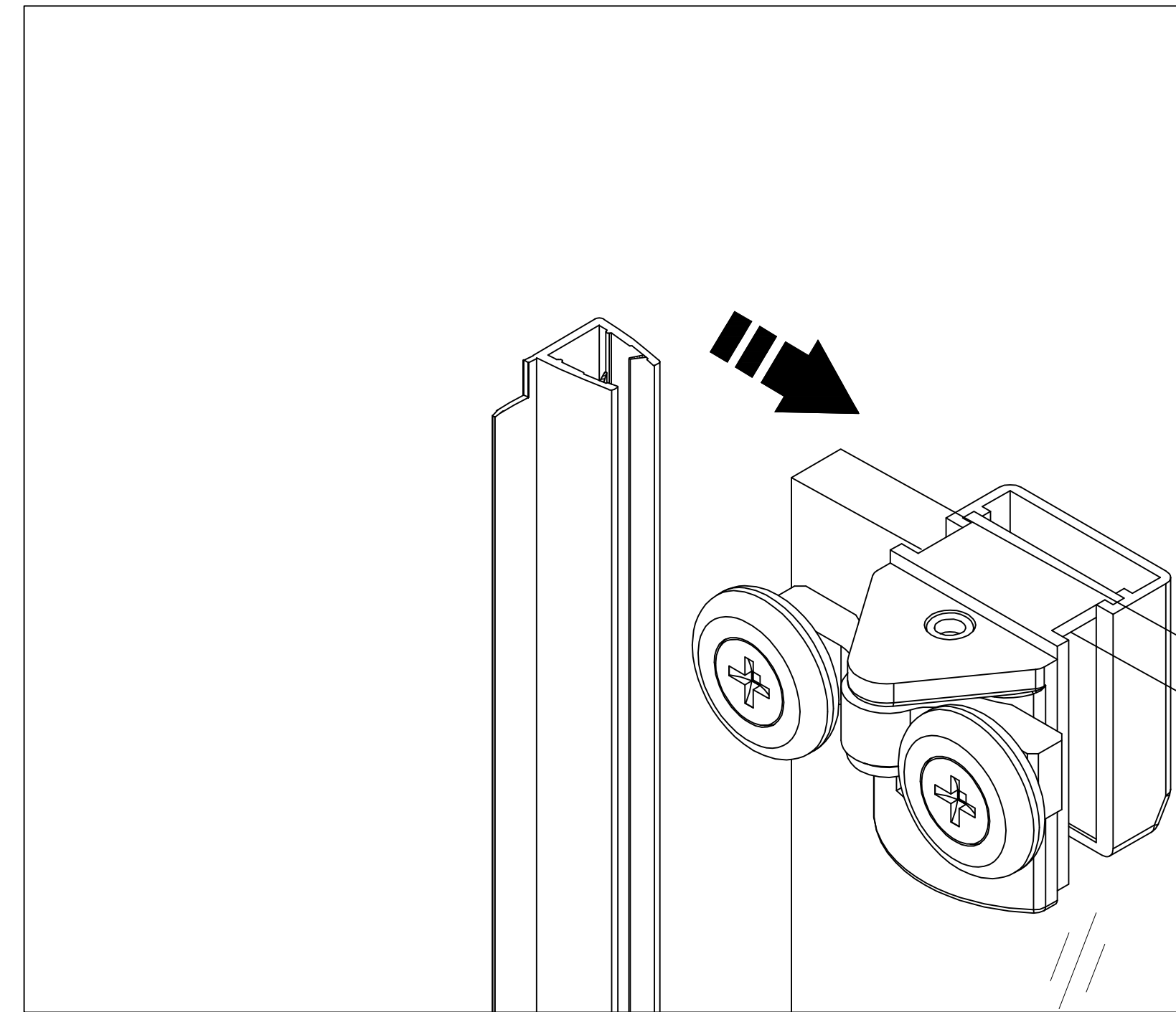
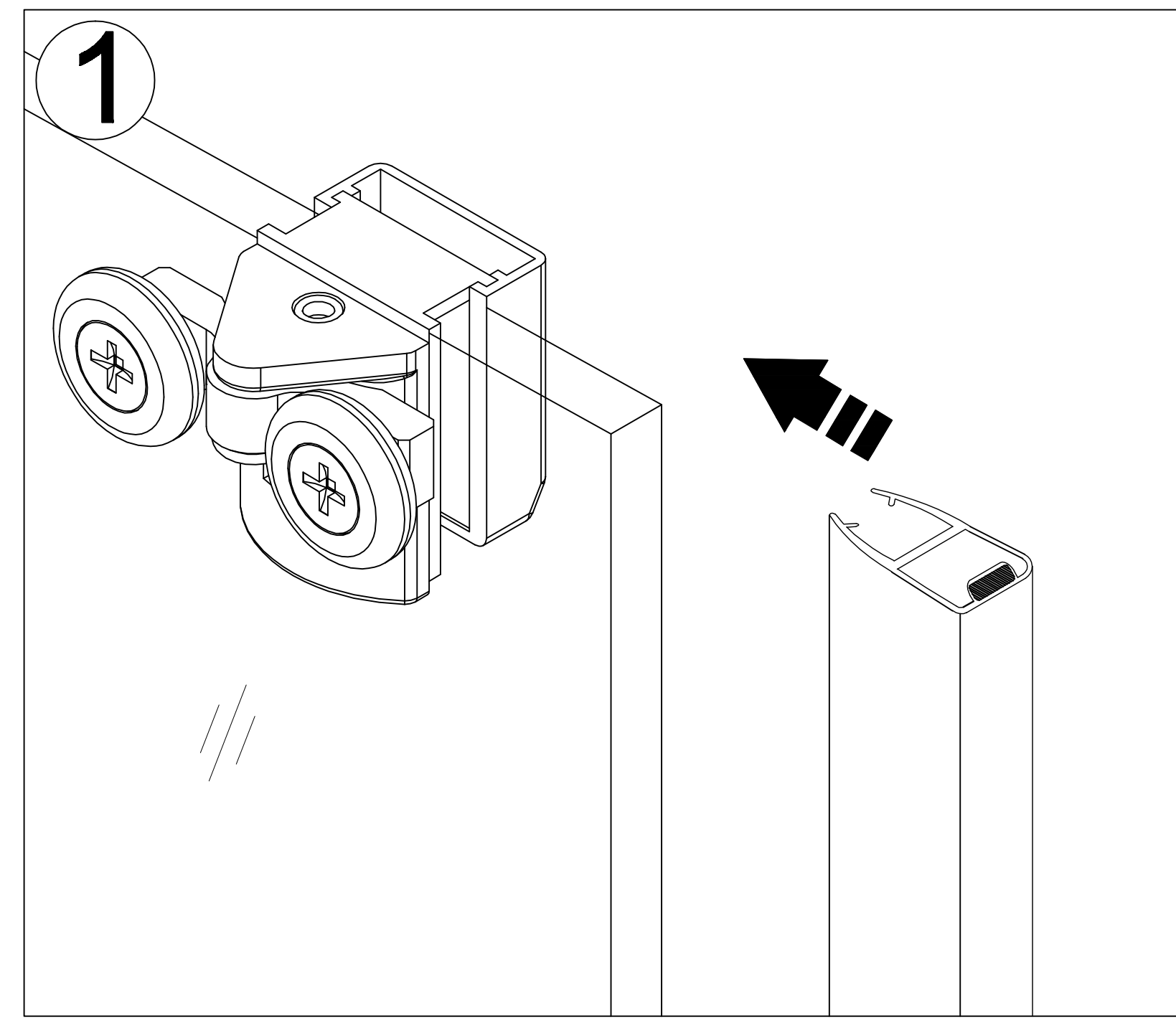
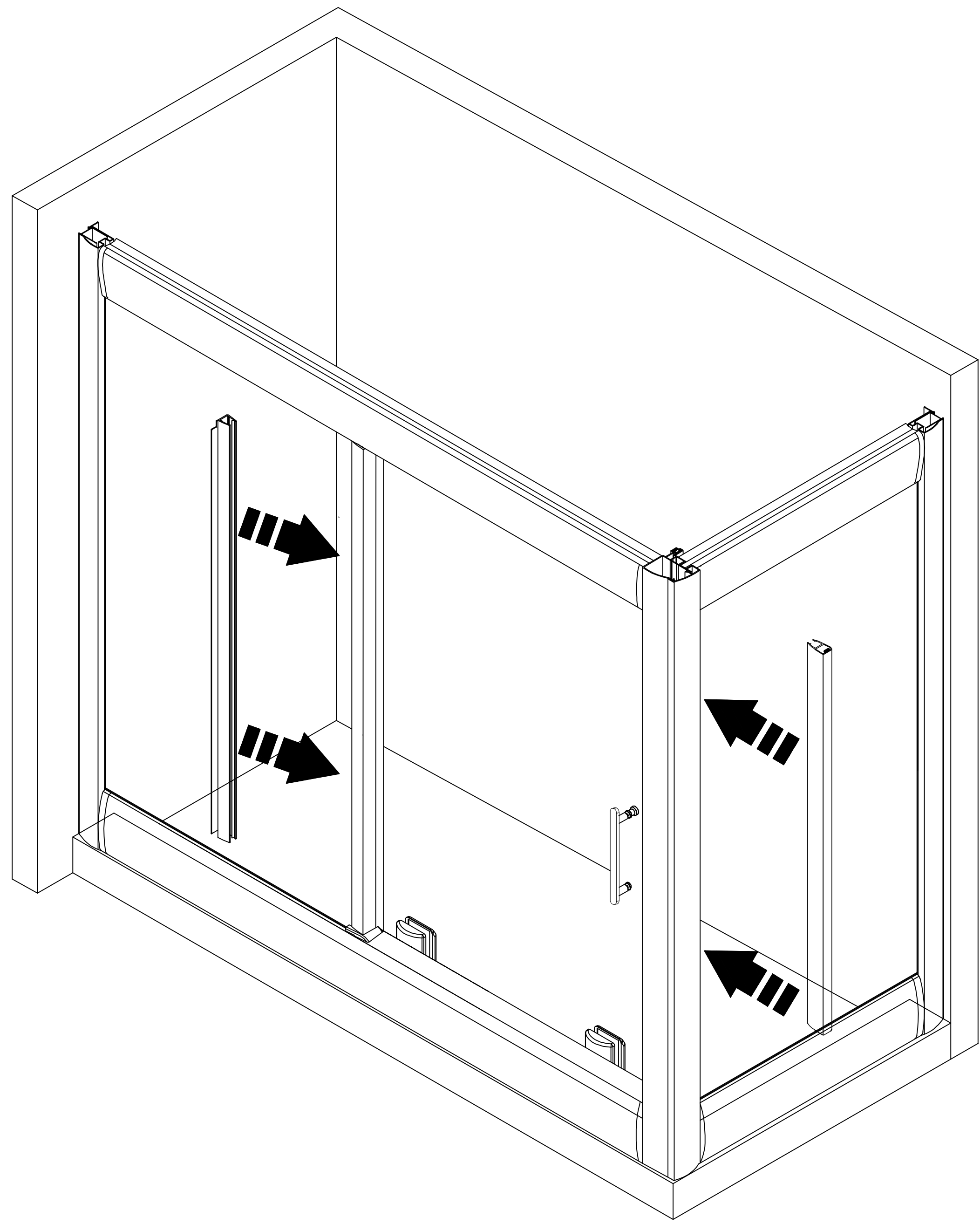
13



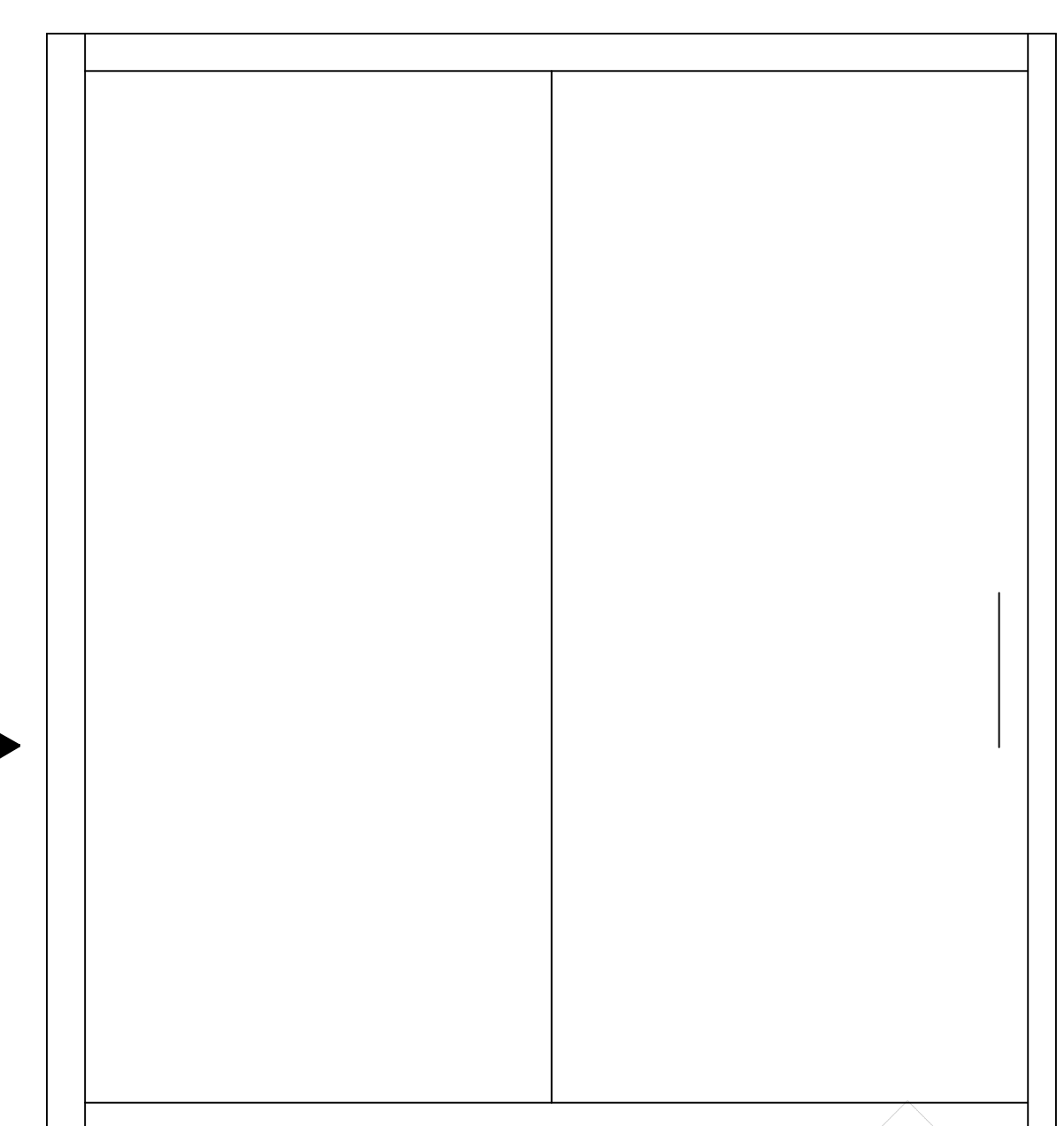
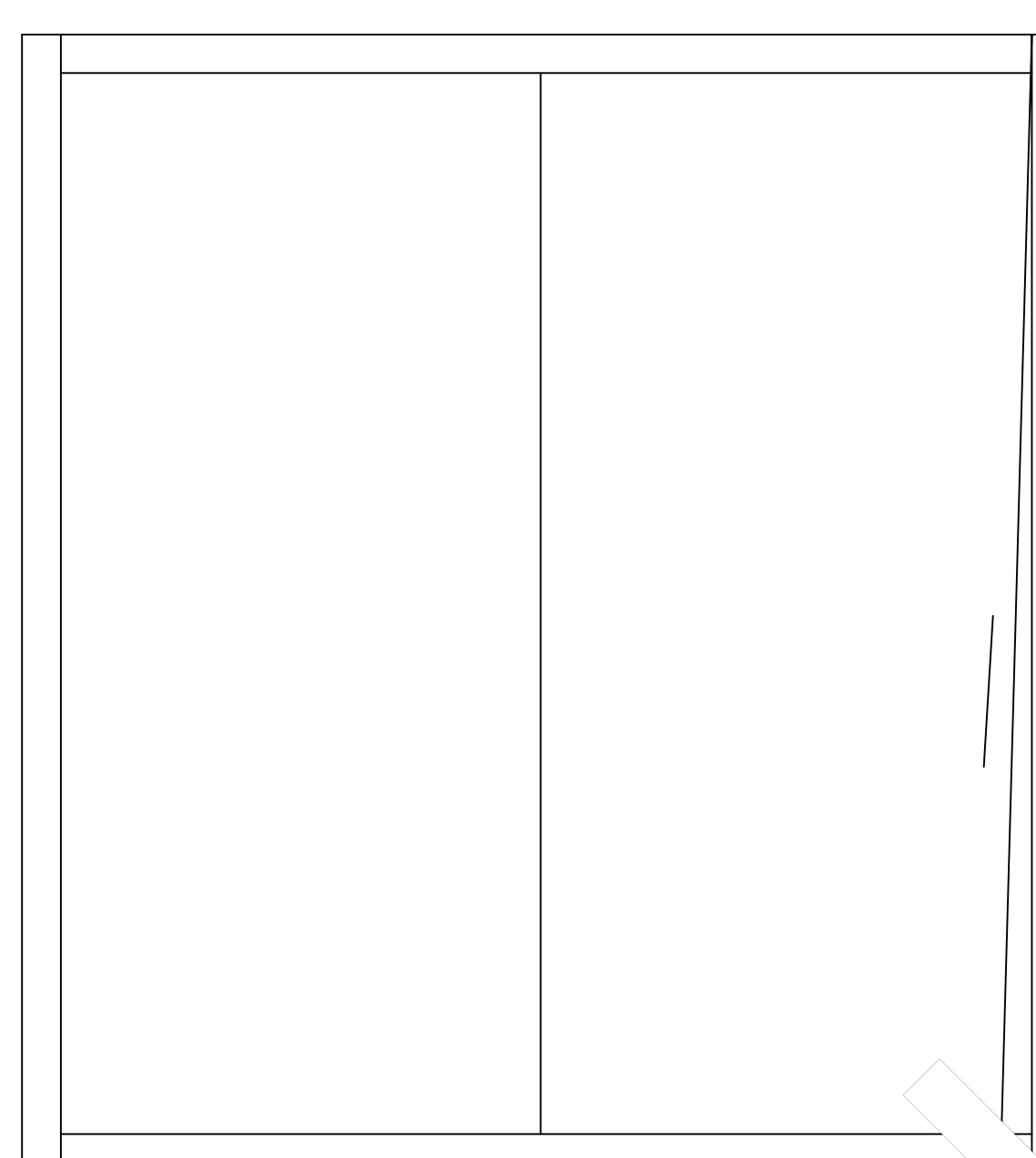
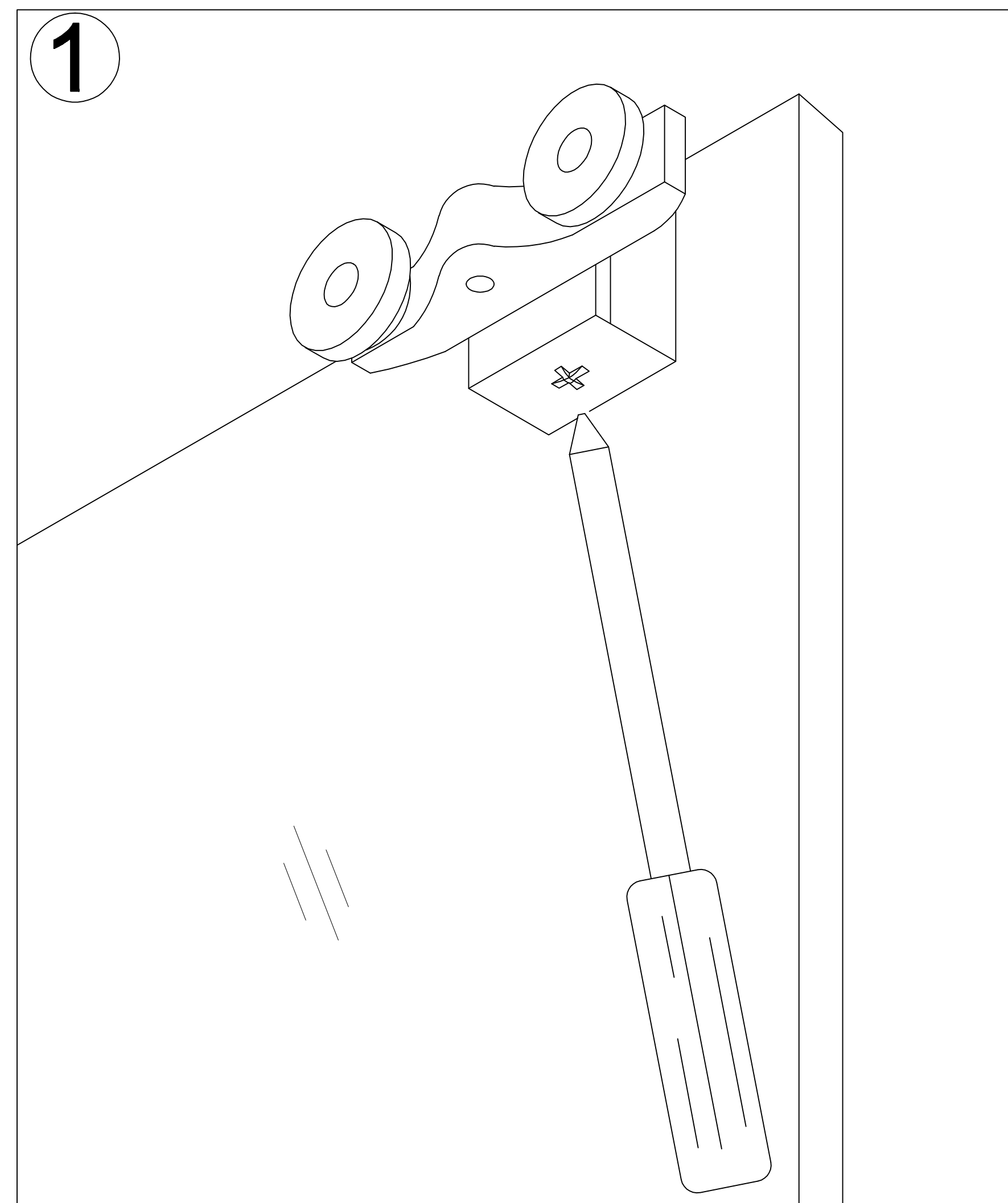
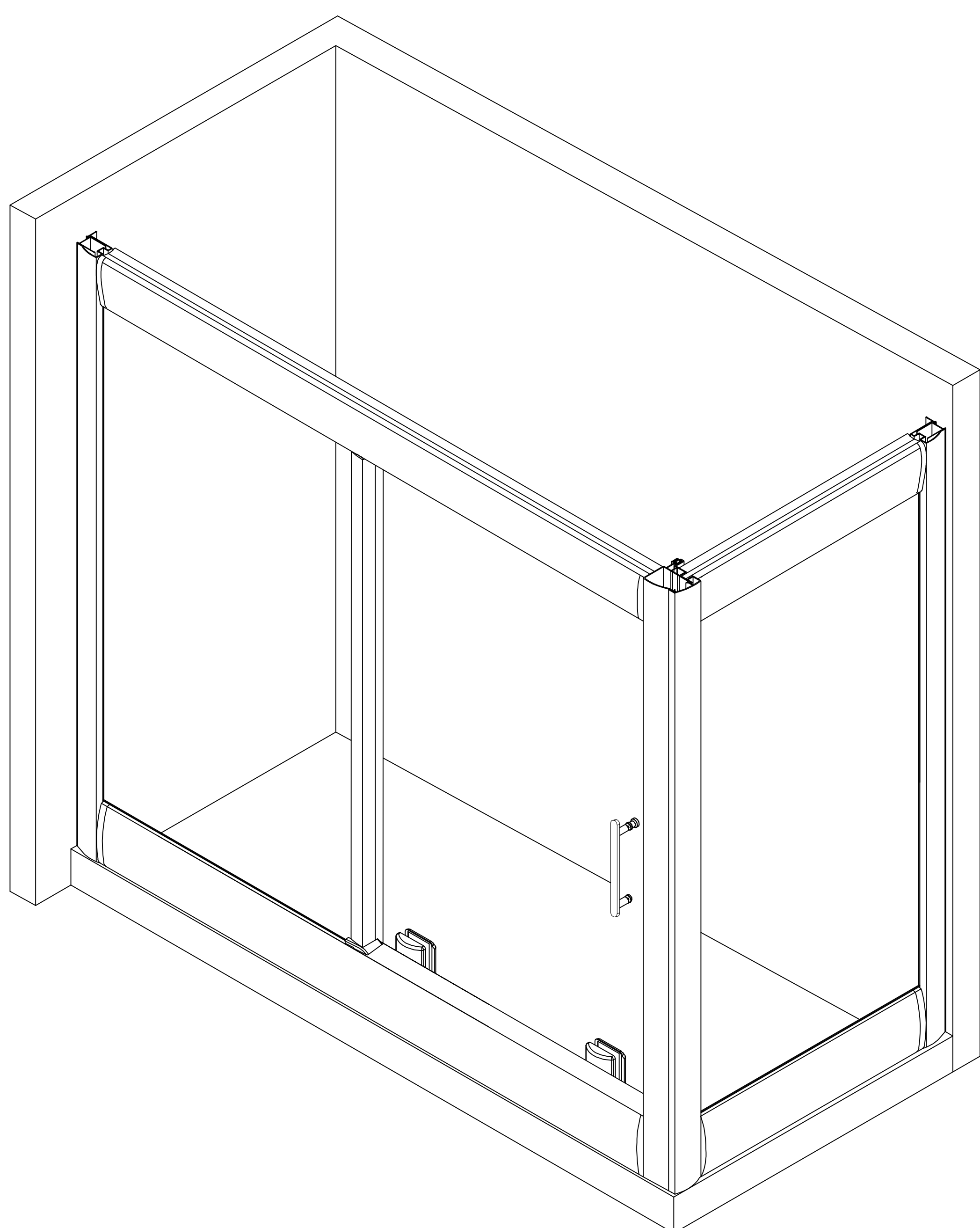
14



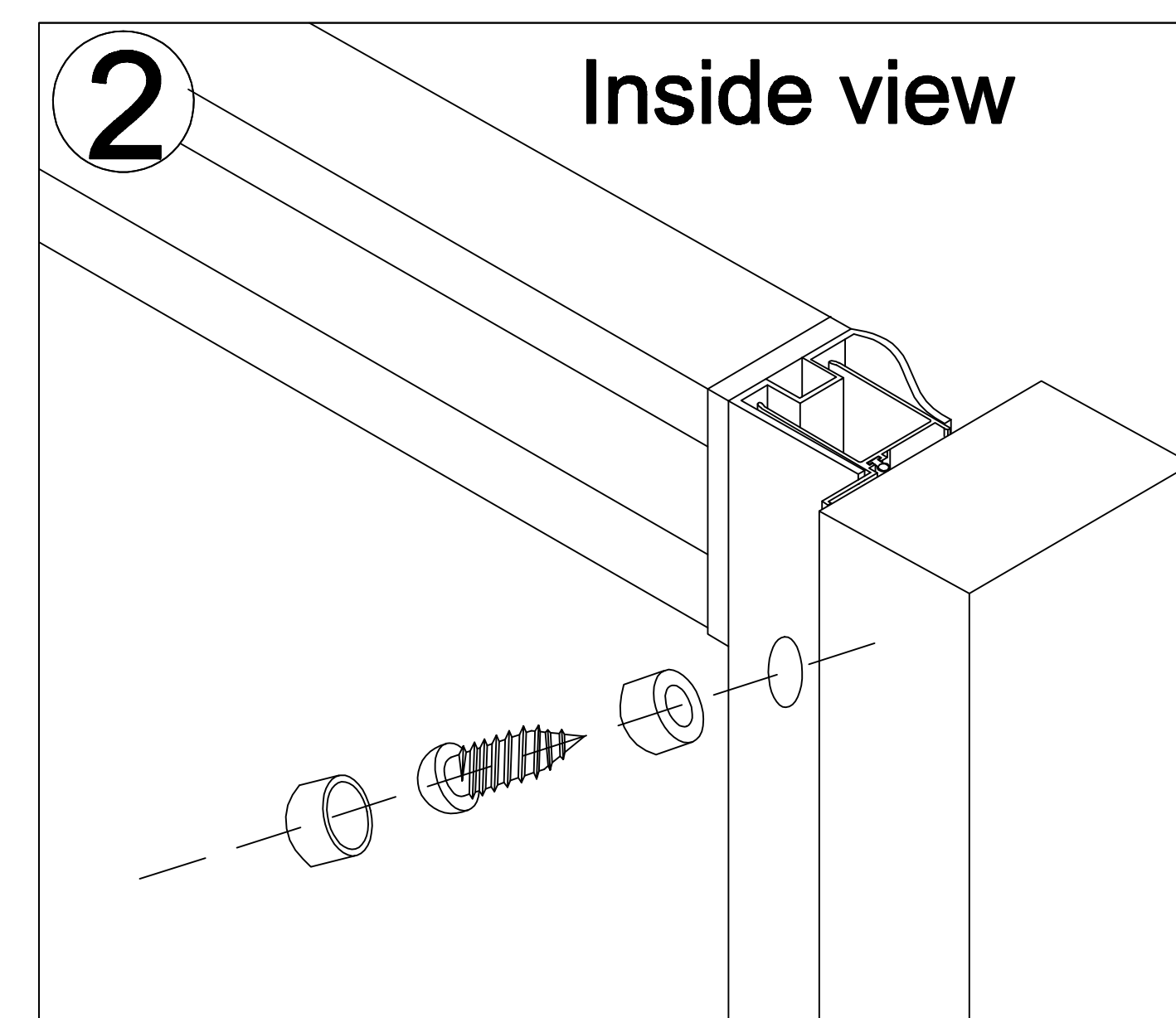
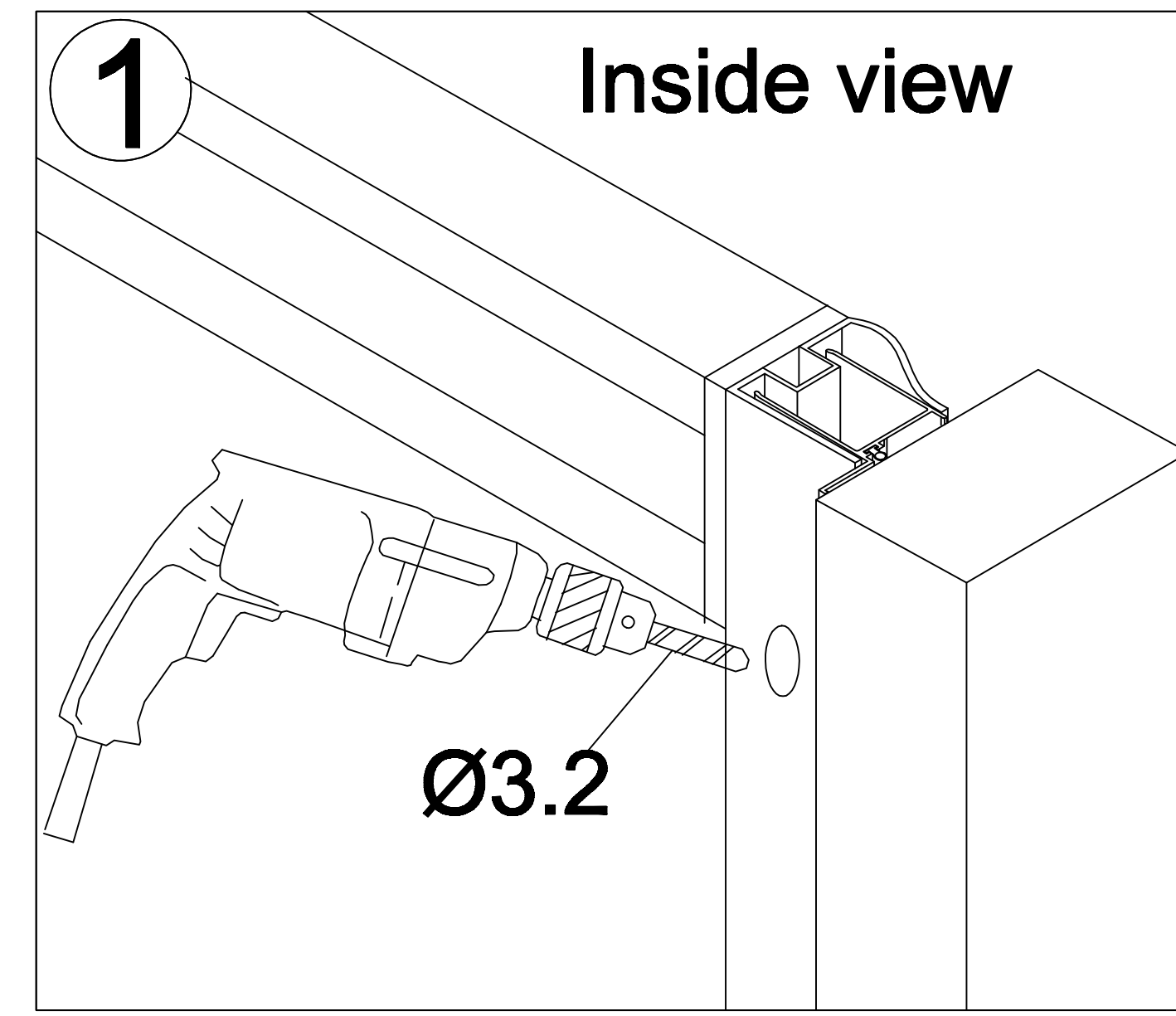
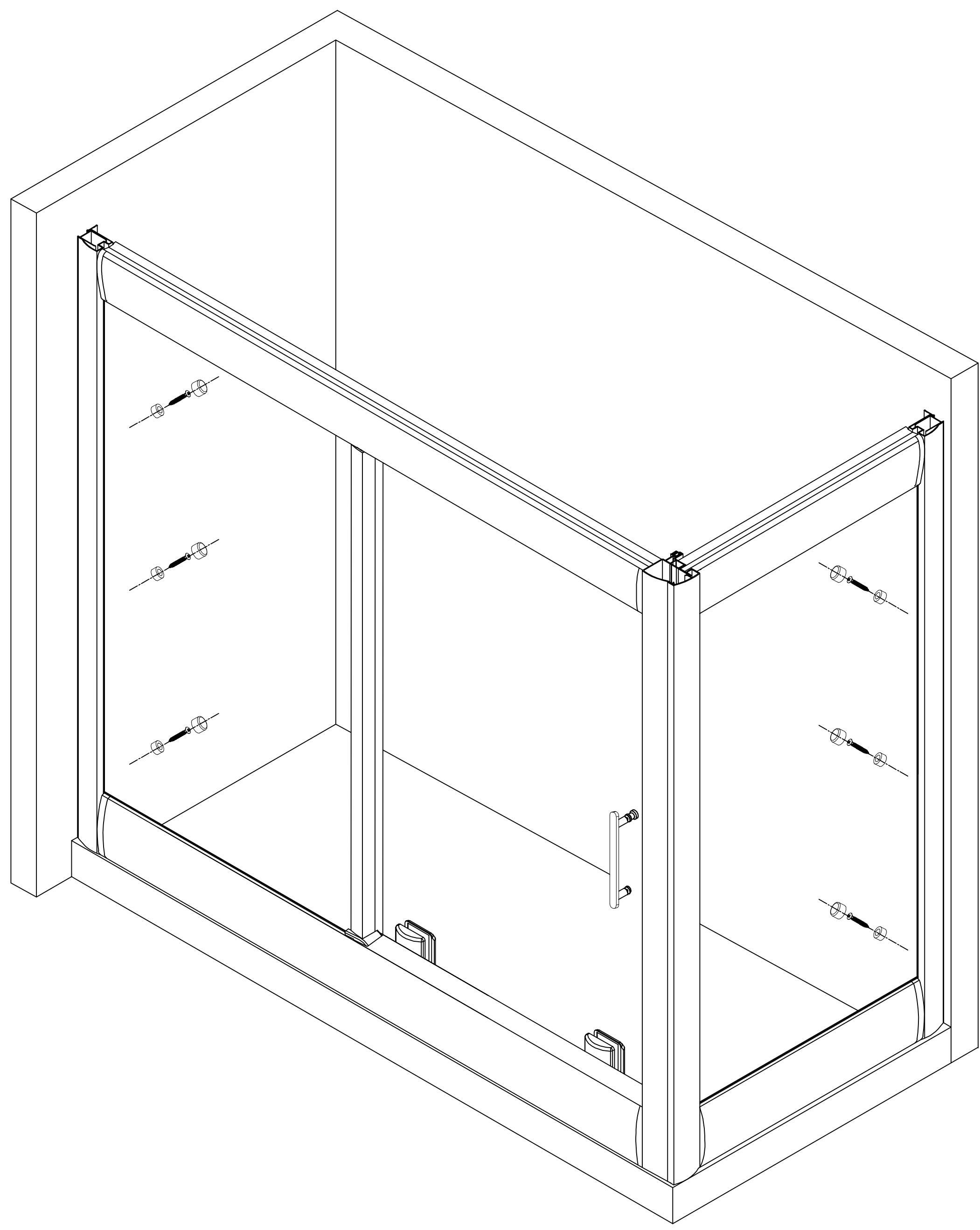
15



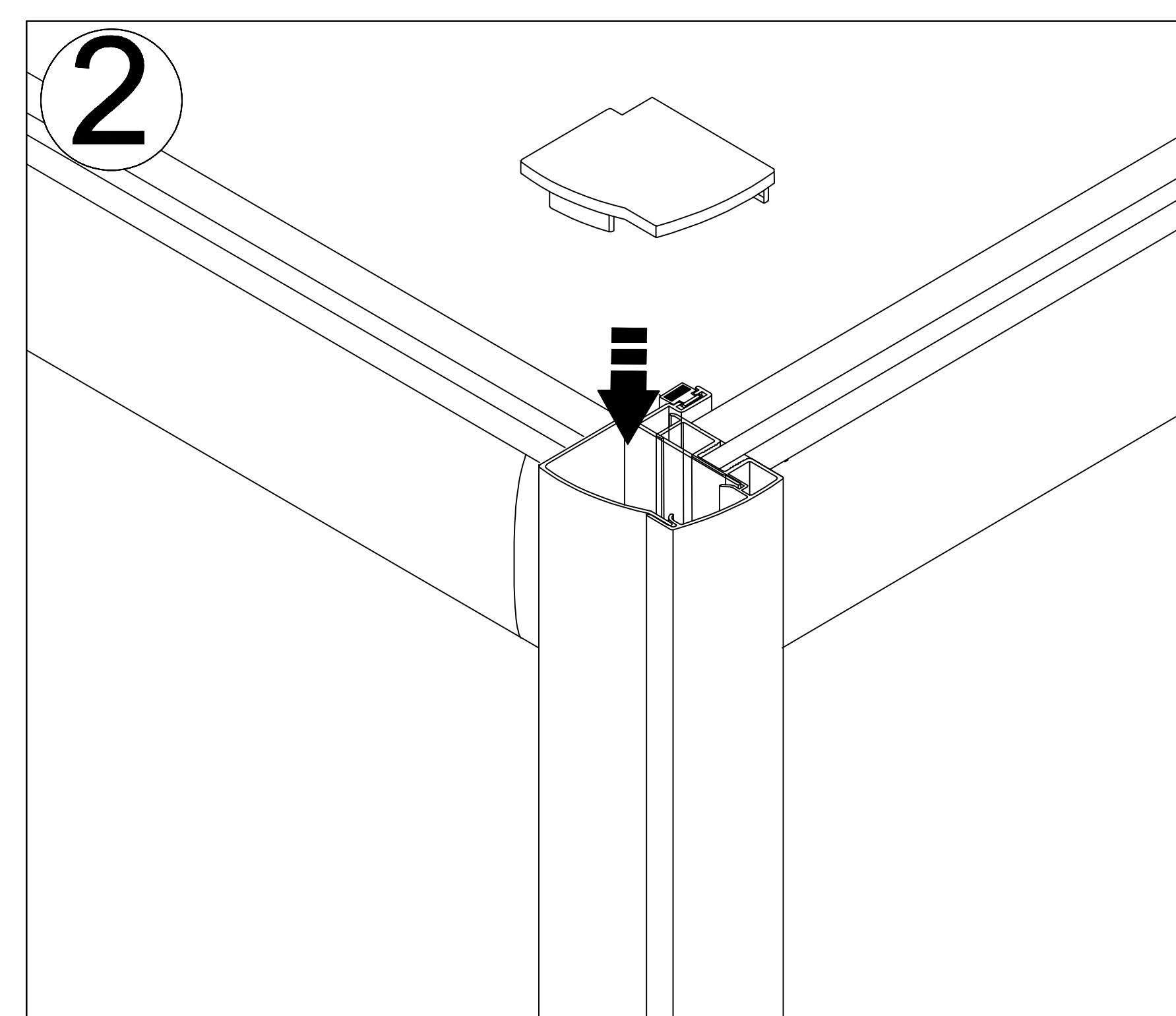
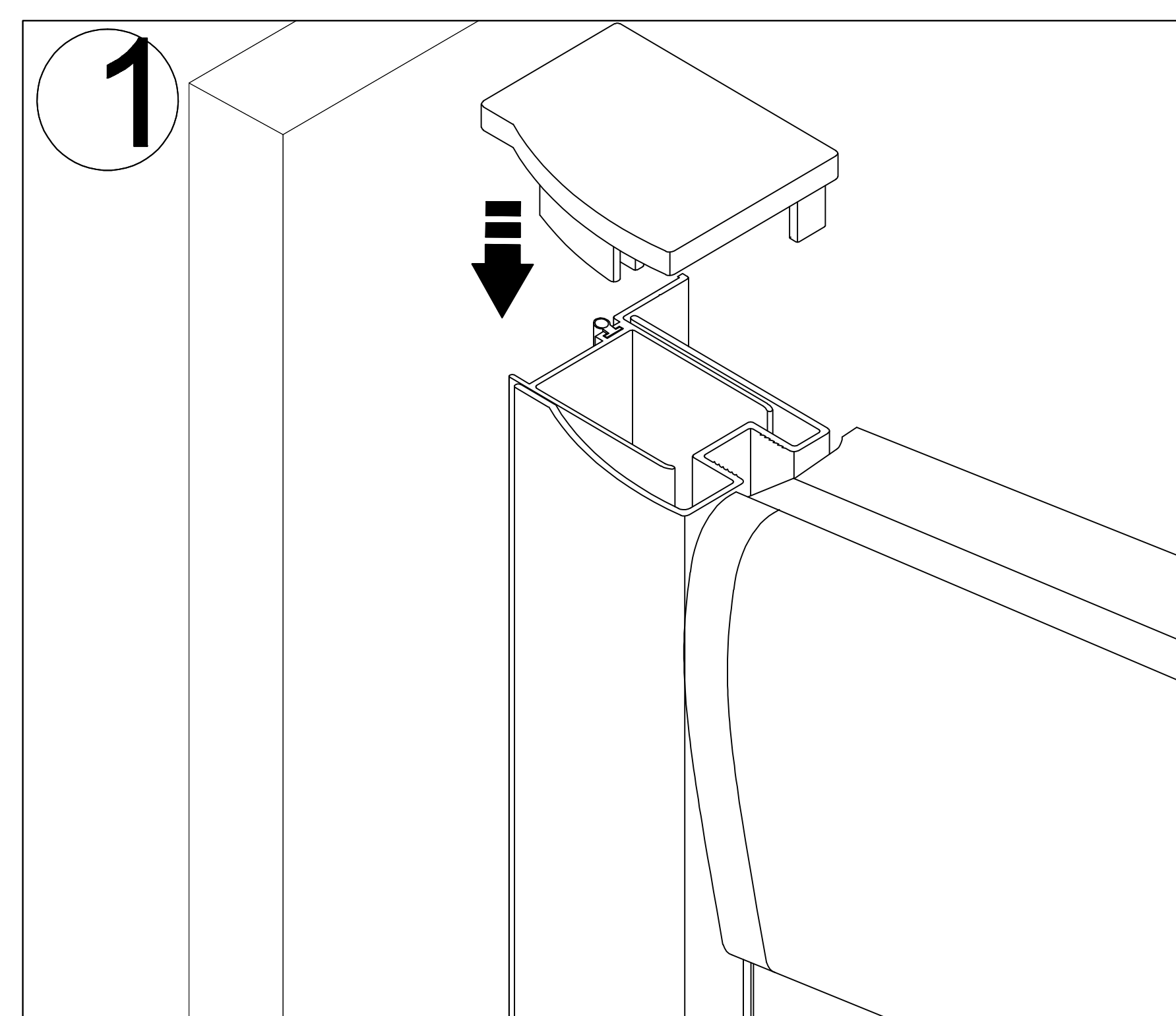
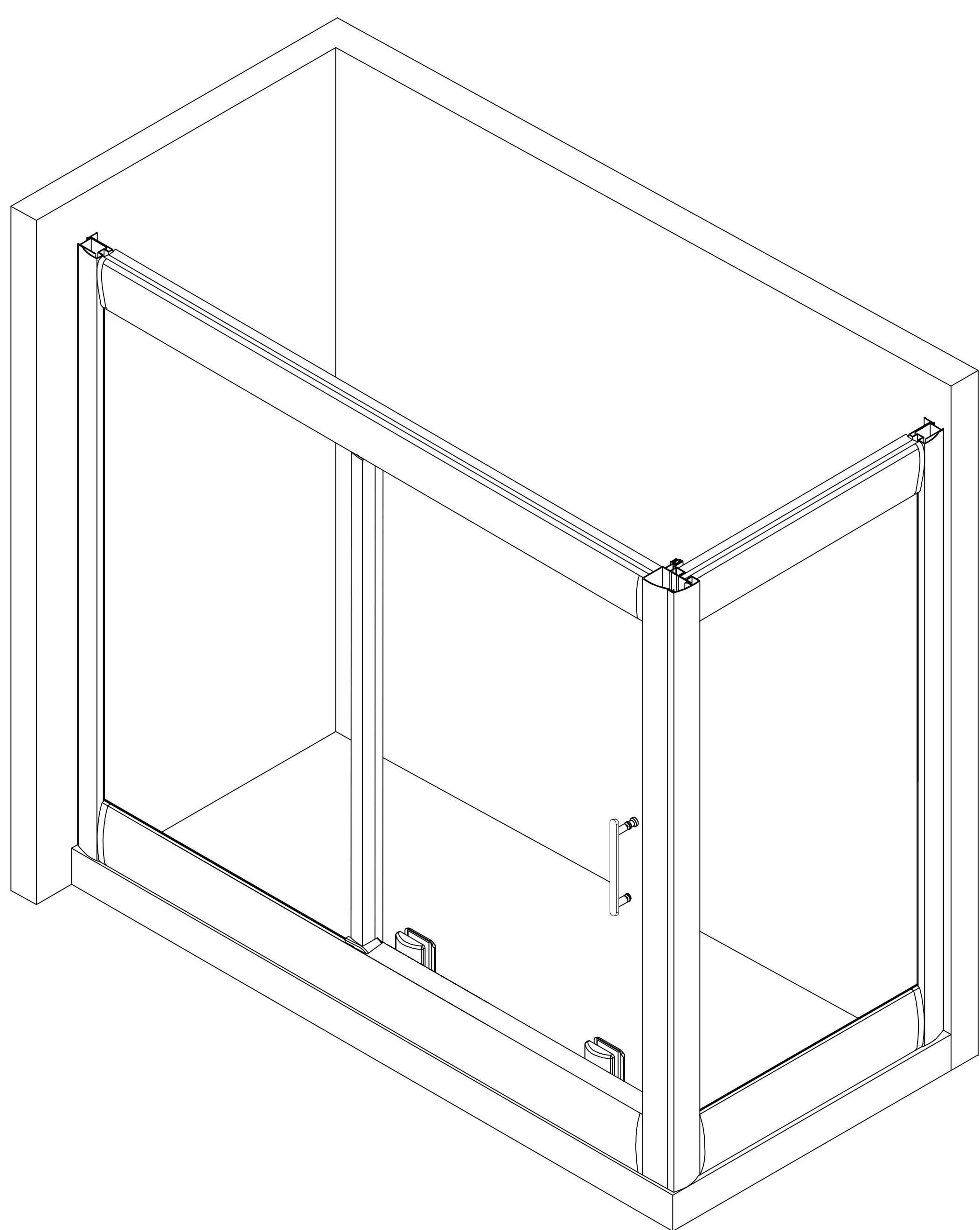
16



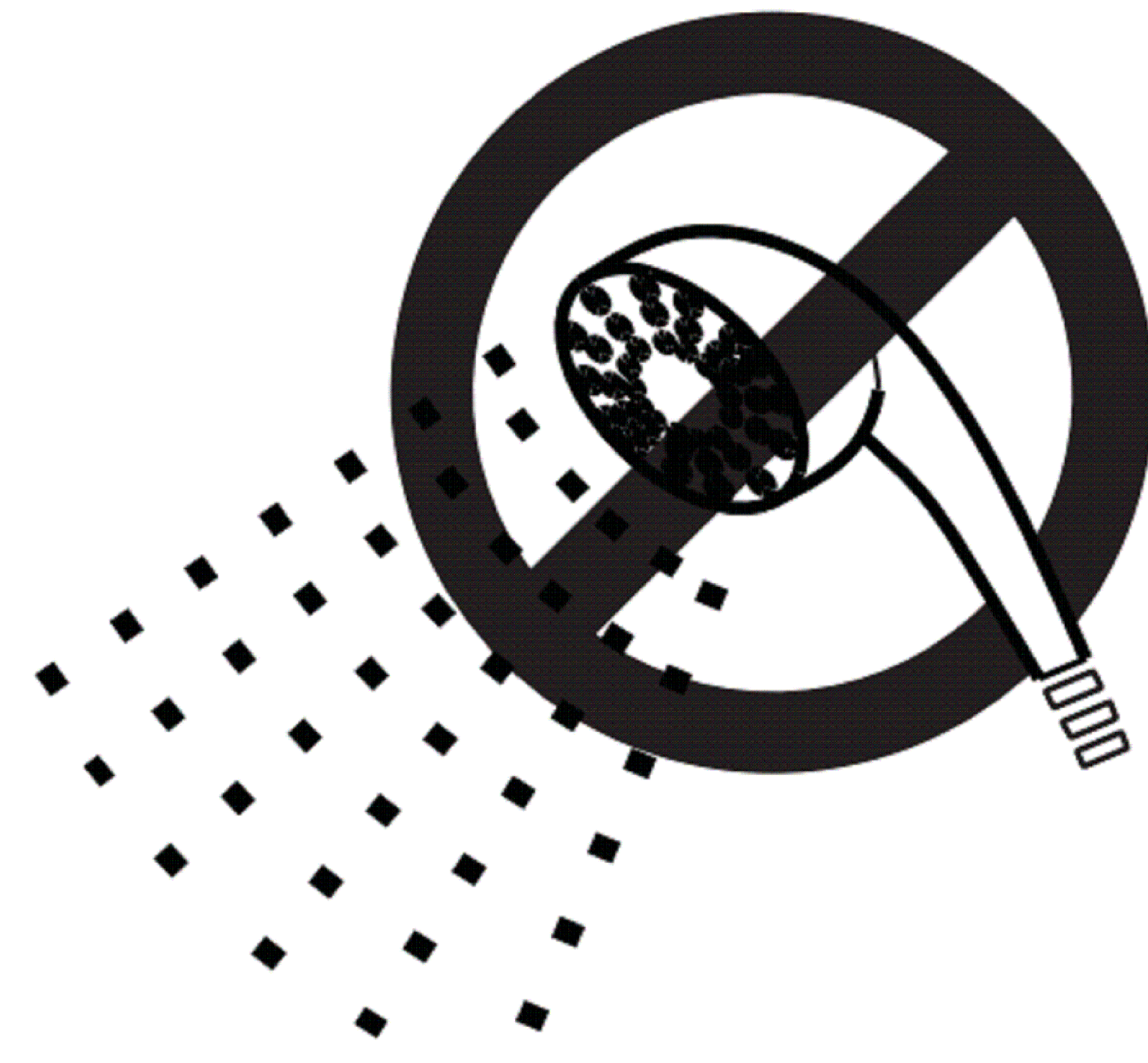
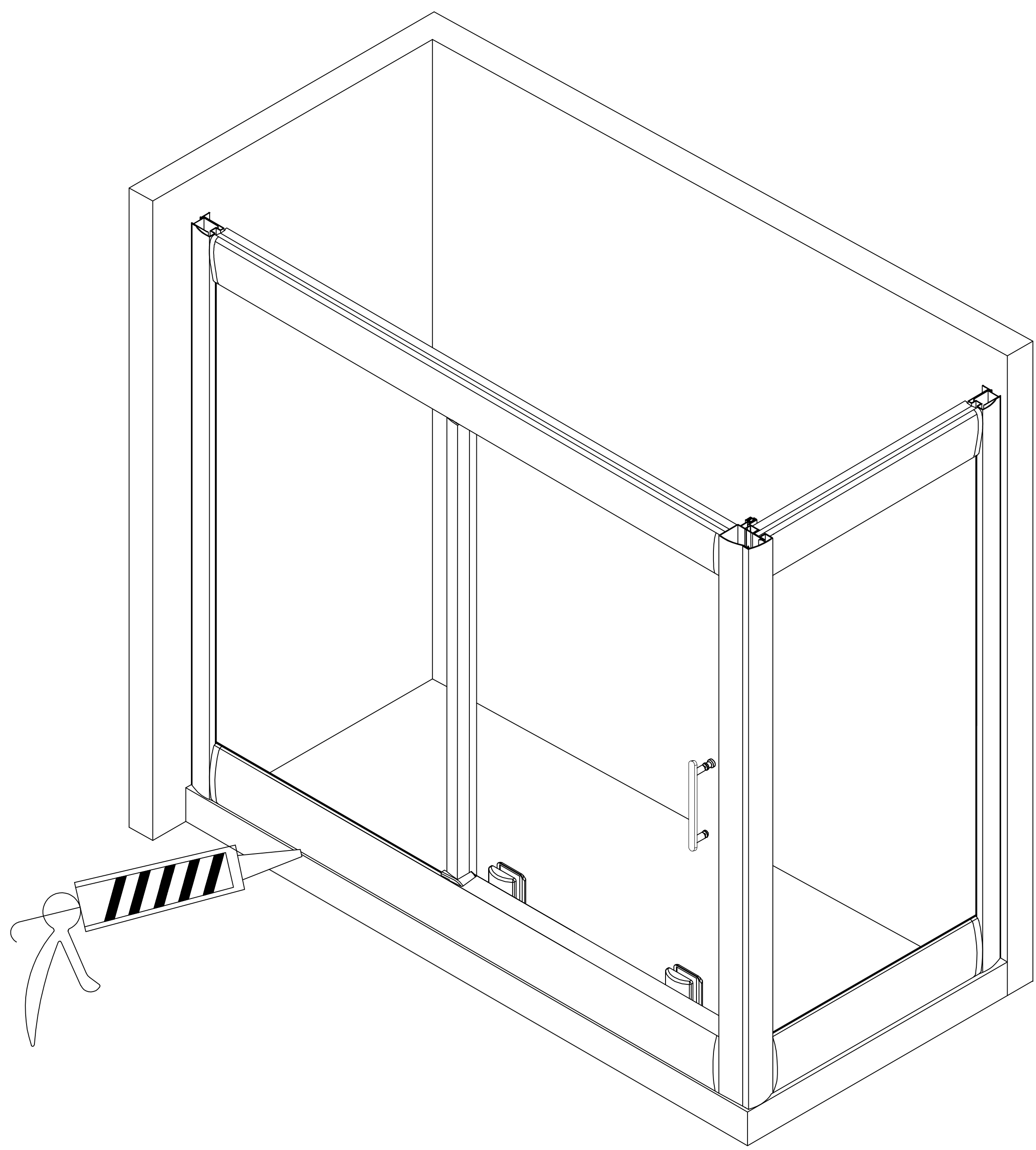
17



18



19



24 HOURS