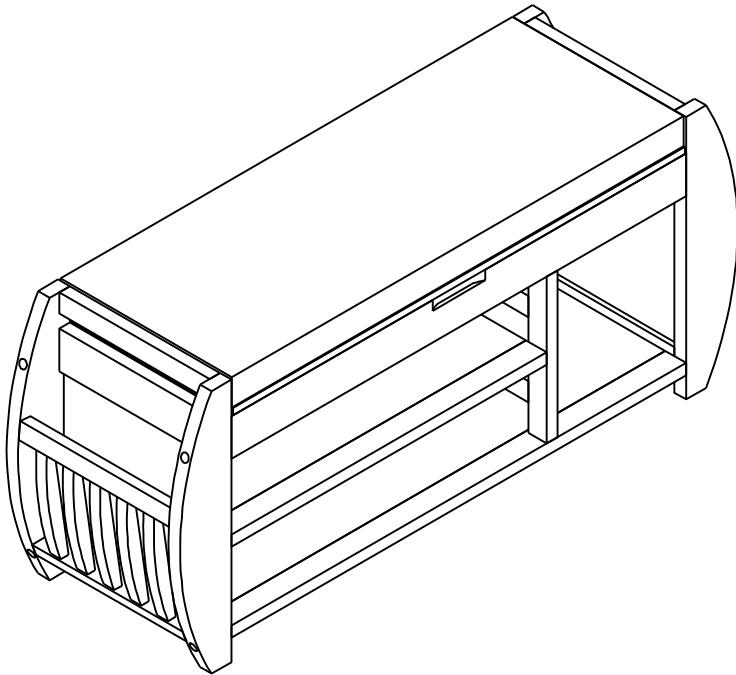


# ASSEMBLY INSTRUCTION

ITEM # : N715P194061

STORAGE BENCH



# ASSEMBLY INSTRUCTION

ITEM # : N715P194061

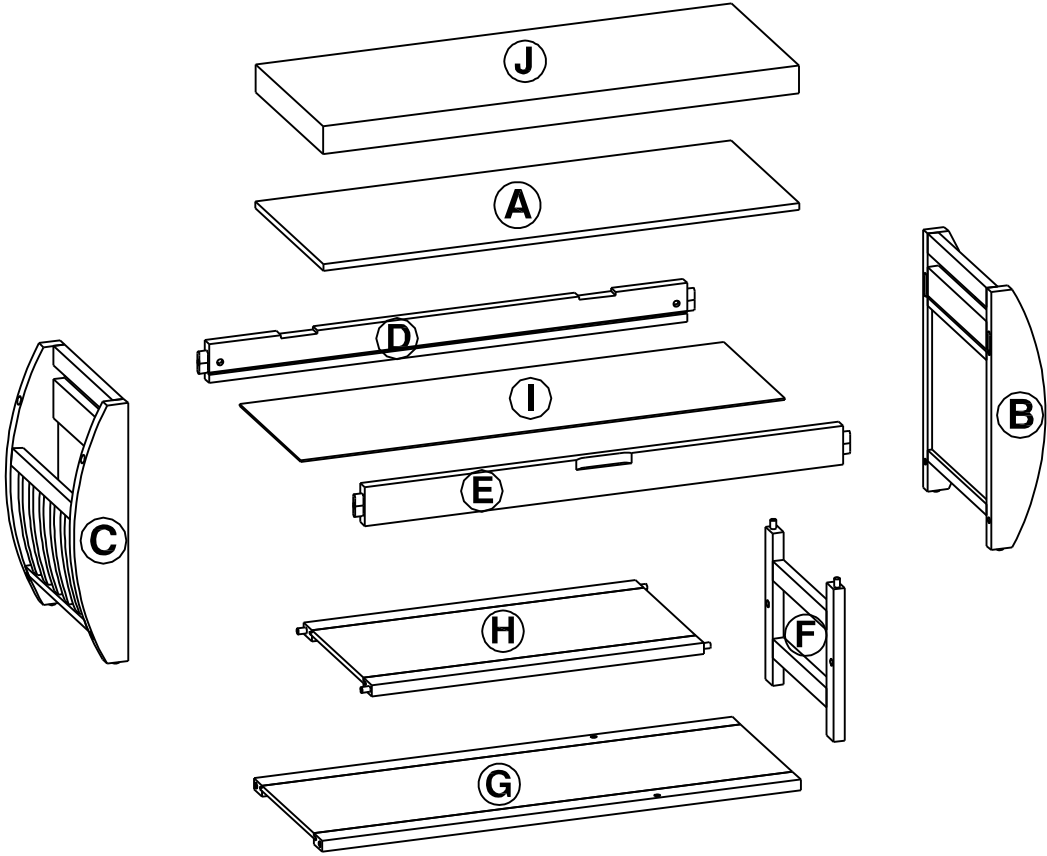
Please read these instructions fully before starting assembly :

Tools required : Phillips screwdriver (medium)

1. Check you have all the components and tools listed on the following pages.
2. Remove all fittings from the plastic bags and separate them into their groups.
3. Keep children and animals away from the work area, small parts could choke if swallowed.
4. Make sure you have enough space to layout the parts before starting.
5. During assembly do not stand or put weight on the product, this could cause damage.
6. Assemble the item as close to its final position (in the same room) as possible.
7. Assemble on a soft level surface to avoid damaging the unit or your floor.
8. Parts of the assembly will be easier with 2 people.
9. To reduce the likelihood of damaging your product please ensure that your power drill is set on a low torque setting.
10. Assemble all parts and bolts loosely during assembly, only once the product is complete should you fully tighten the bolts
11. Regularly check and ensure That all bolts and fittings are tightend properly.
12. Please do not place items that exceed the load capacity. Care and maintenance :  
Only clean using a damp cloth and mild detergent, do no use bleach or abrasive cleaners.

# ASSEMBLY INSTRUCTION


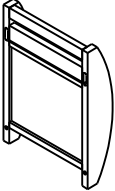
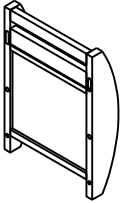
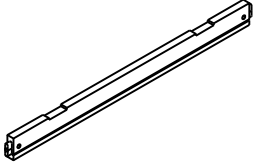
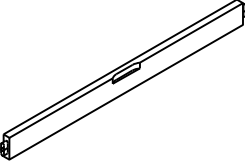
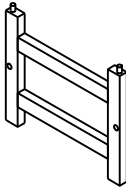
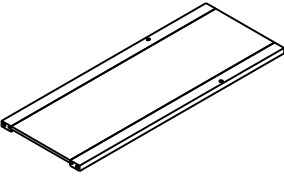
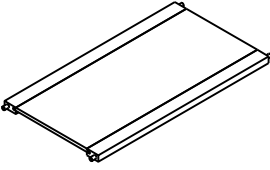
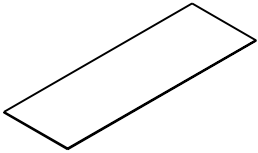
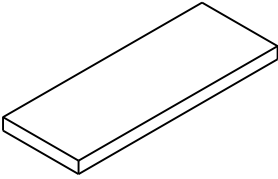
ITEM # : N715P194061



# ASSEMBLY INSTRUCTION

ITEM # : N715P194061


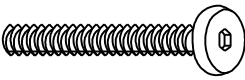


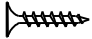
## Part List

<p>A</p>  <p>TOP – 1 PC</p>	<p>B</p>  <p>SIDE FRAME (R) – 1 PC</p>	<p>C</p>  <p>SIDE FRAME (L) – 1 PC</p>
<p>D</p>  <p>APRON (BACK) – 1 PC</p>	<p>E</p>  <p>APRON (FRONT) – 1 PC</p>	<p>F</p>  <p>VERTICAL PANEL – 1 PC</p>
<p>G</p>  <p>BOTTOM PANEL – 1 PC</p>	<p>H</p>  <p>CENTER PANEL – 1 PC</p>	<p>I</p>  <p>TOP PANEL – 1 PC</p>
<p>J</p>  <p>MATTRESS – 1 PC</p>		

# ASSEMBLY INSTRUCTION

ITEM # : N715P194061

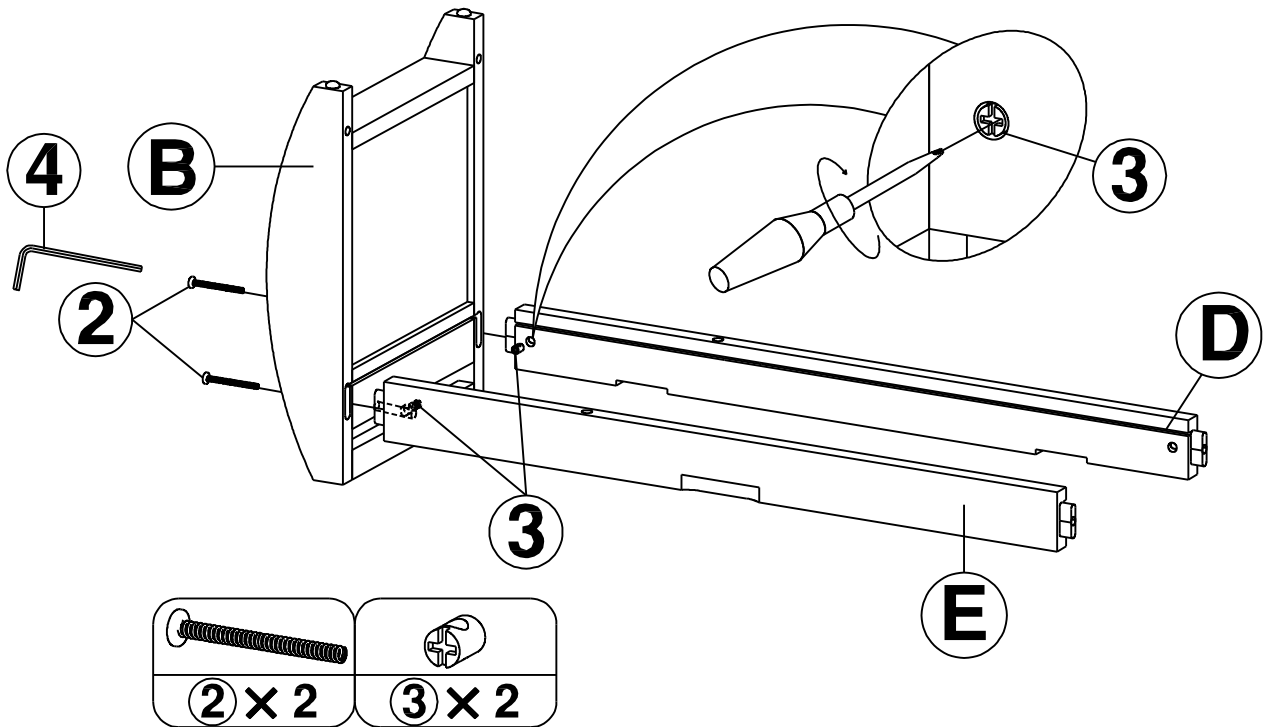
## Hardware List

<p>1</p>  <p>M6 x 35mm BOLT (2 PCS)</p>	<p>2</p>  <p>M6 x 60mm BOLT (8 PCS)</p>	<p>3</p>  <p>6 X 13MM BARREL NUT (8 PCS)</p>
<p>4</p>  <p>M4 X 30MM X 110MM ALLEN KEY (1 PC)</p>	<p>5</p>  <p>M3.5 X 15MM SHORT SCREW (6 PCS)</p>	

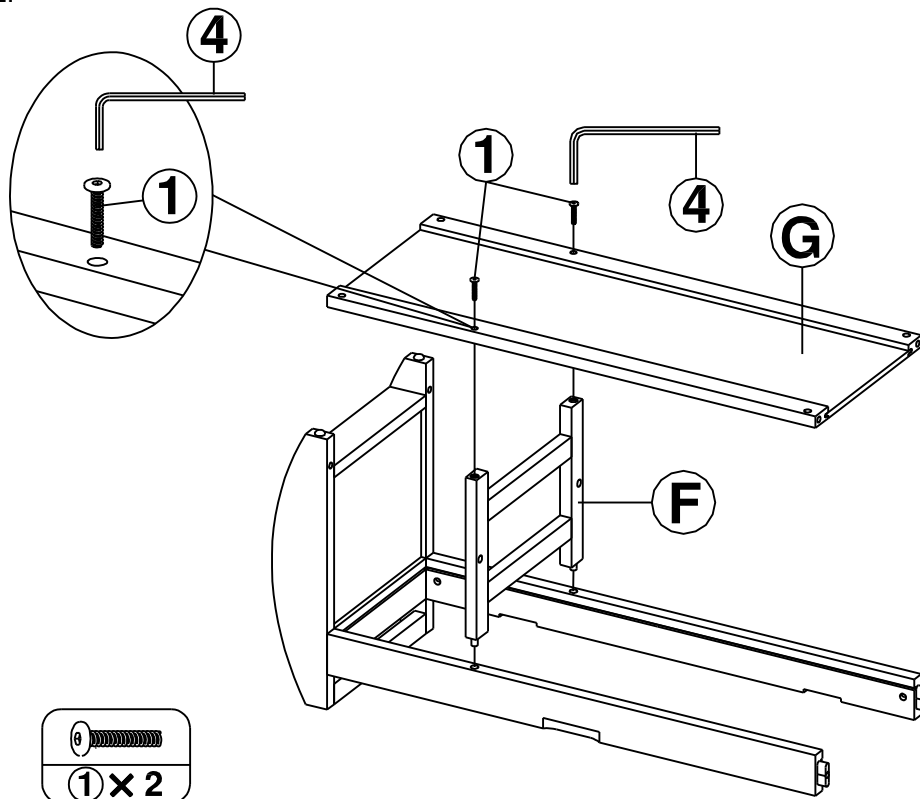
# ASSEMBLY INSTRUCTION

ITEM # : N715P194061

STEP 1:



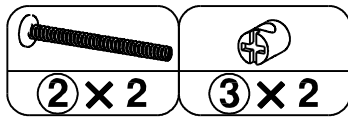
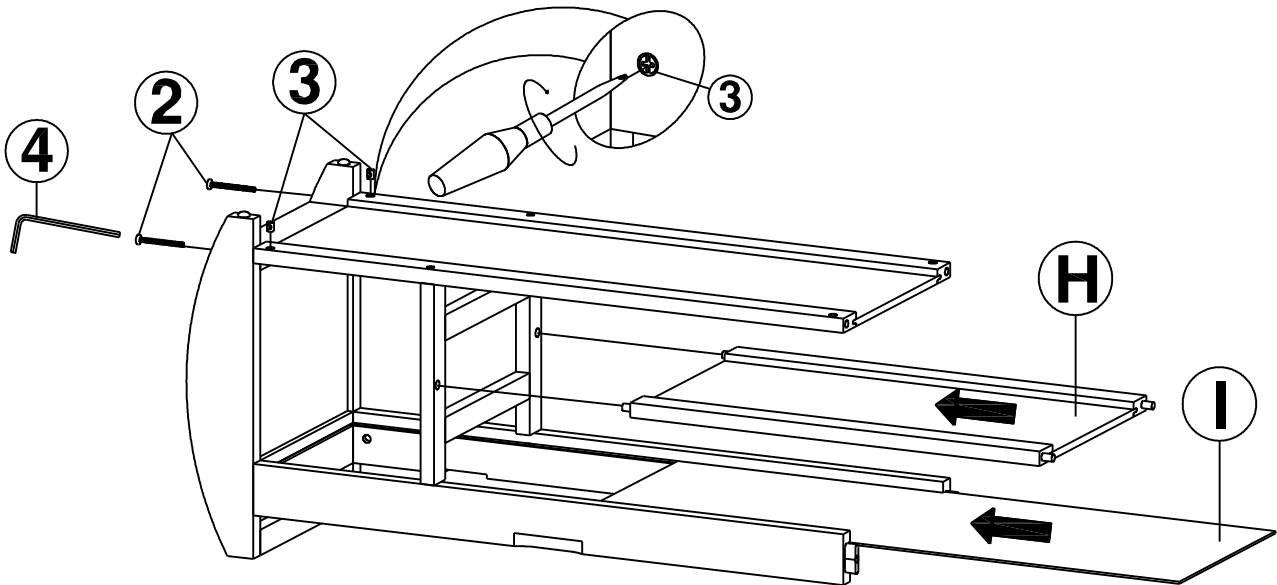
STEP 2:



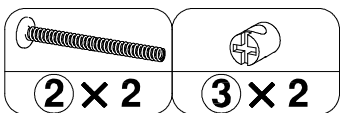
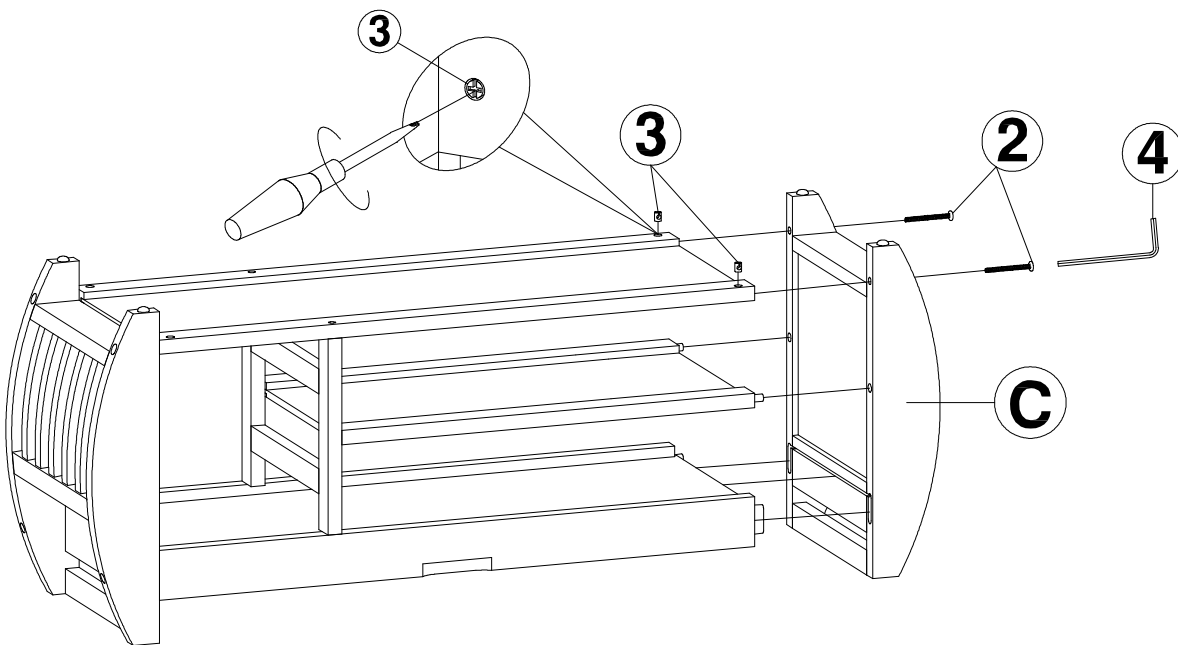
# ASSEMBLY INSTRUCTION

ITEM # : N715P194061

STEP 3:



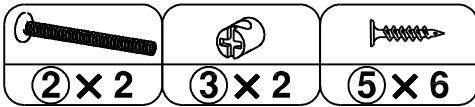
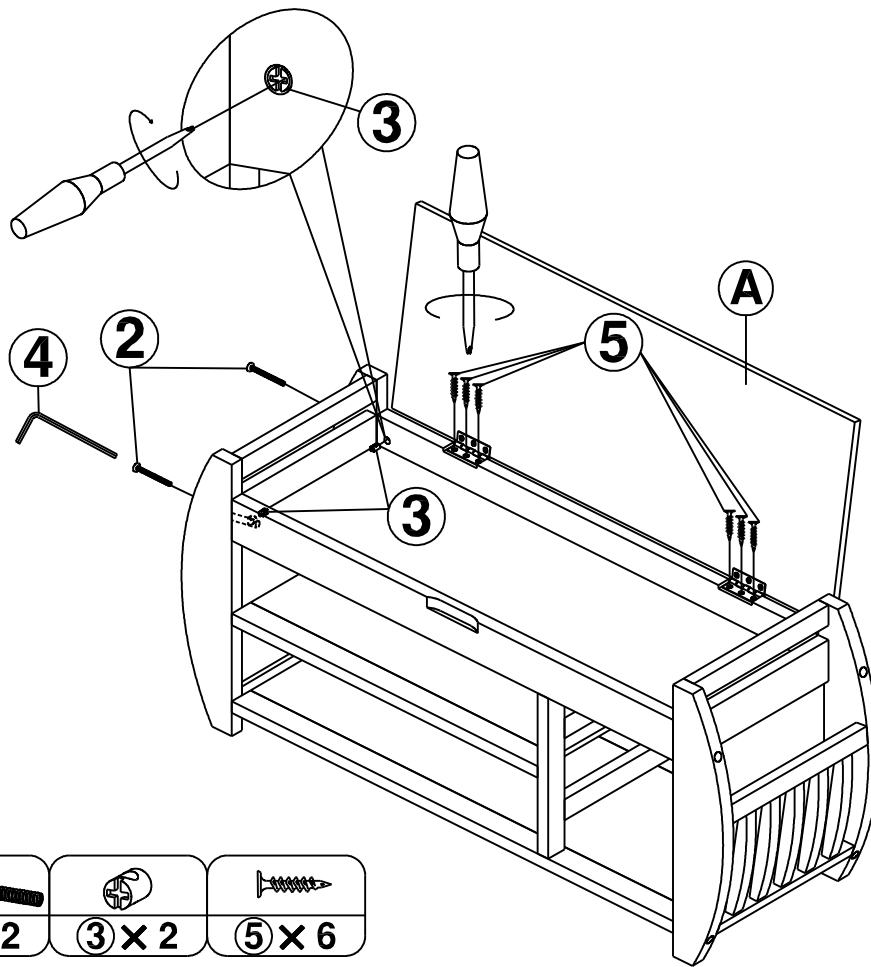
STEP 4:



# ASSEMBLY INSTRUCTION

ITEM # : N715P194061

STEP 5:



STEP 6 :

