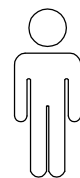
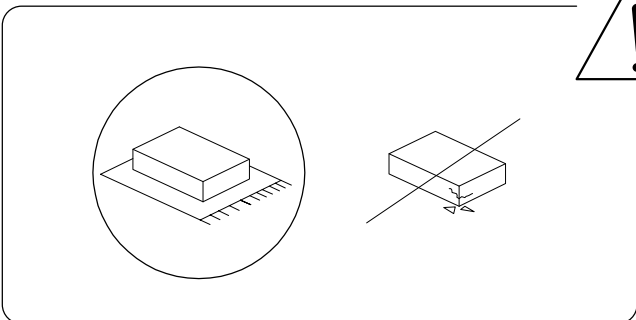
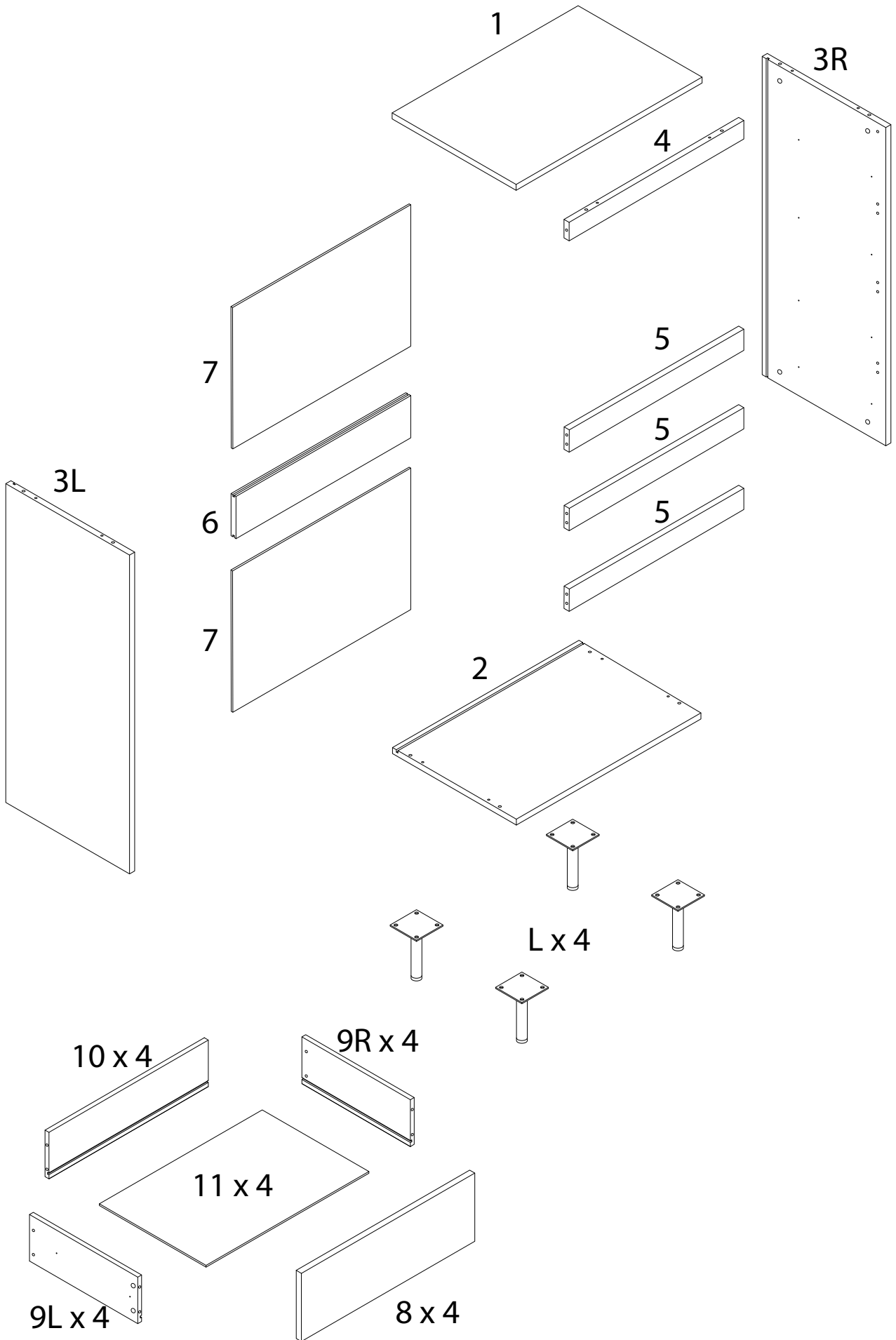


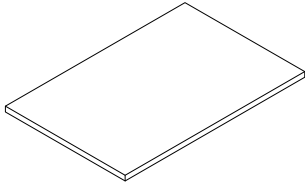
60'



2

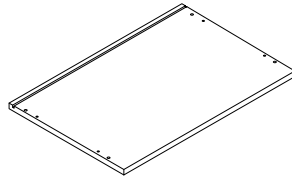


1



x 1

2



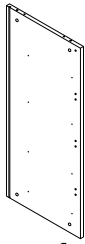
x 1

3L



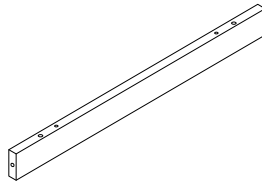
x 1

3R



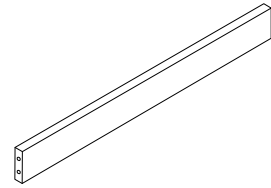
x 1

4



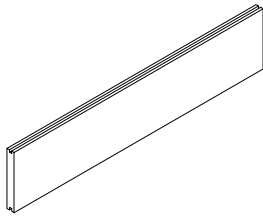
x 1

5



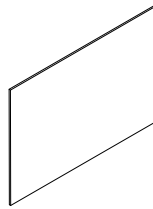
x 3

6



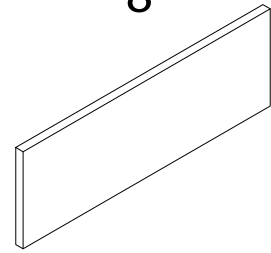
x 1

7



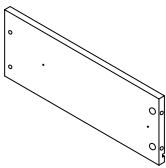
x 2

8



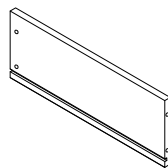
x 4

9L



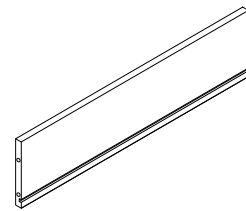
x 4

9R



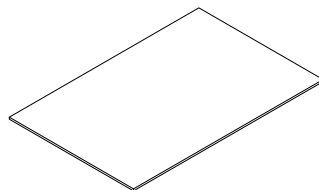
x 4

10



x 4

11



x 4

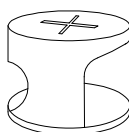
A



x 20

B

Ø15



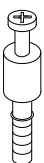
x 20

C



x 18

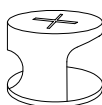
D1



x 16

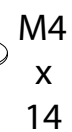
D2

Ø12



x 16

E



M4
x
14

x 48

F



M4
x
30

x 16

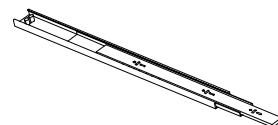
I



M6
x
12

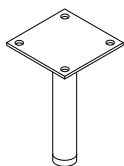
x 16

K



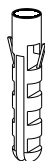
x 8

L



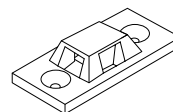
x 4

P1



x 4

P2



x 4

P3



M4
x
38

x 4

P4



M3
x
12

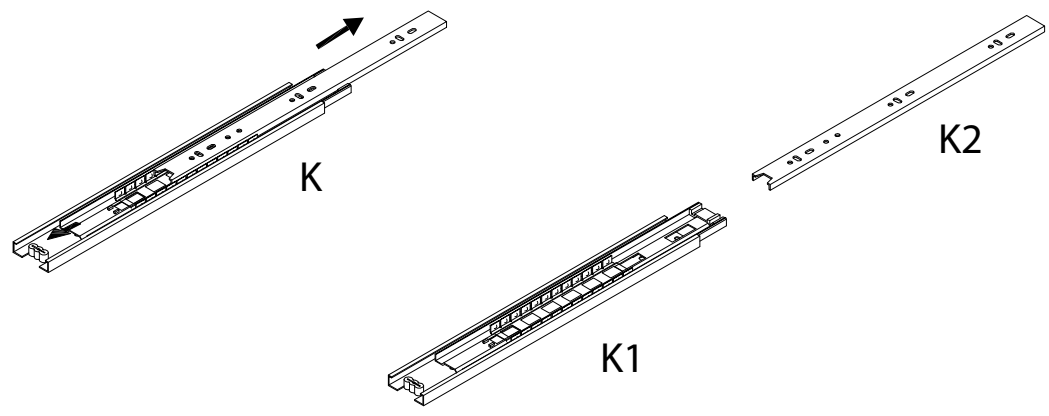
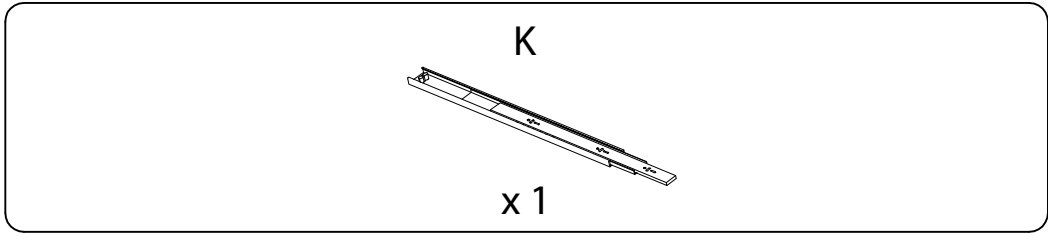
x 4

P5

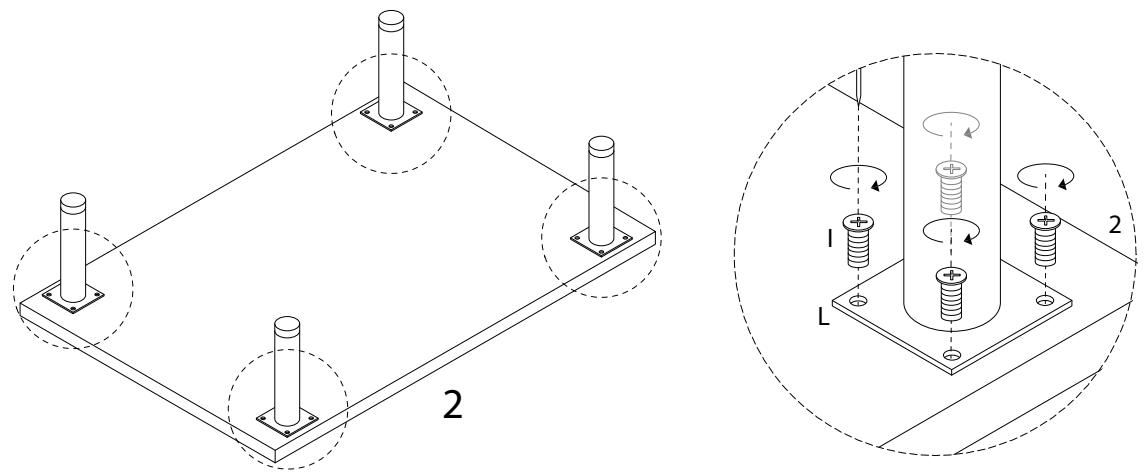
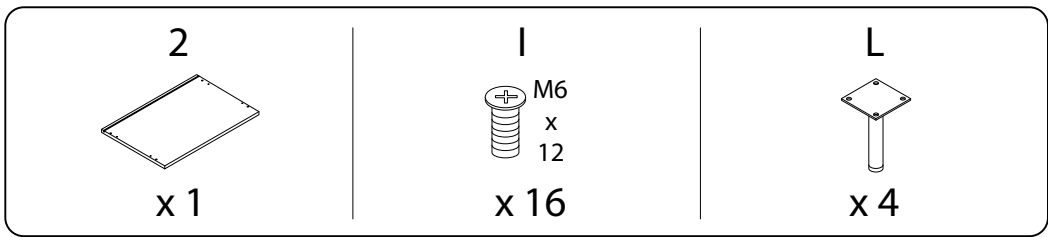


x 2

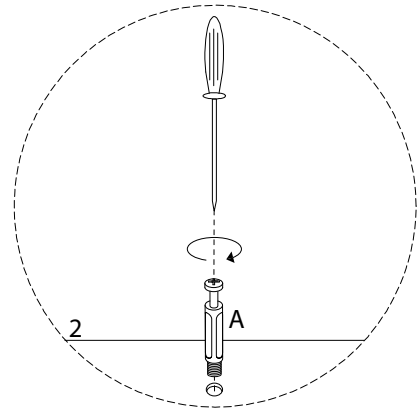
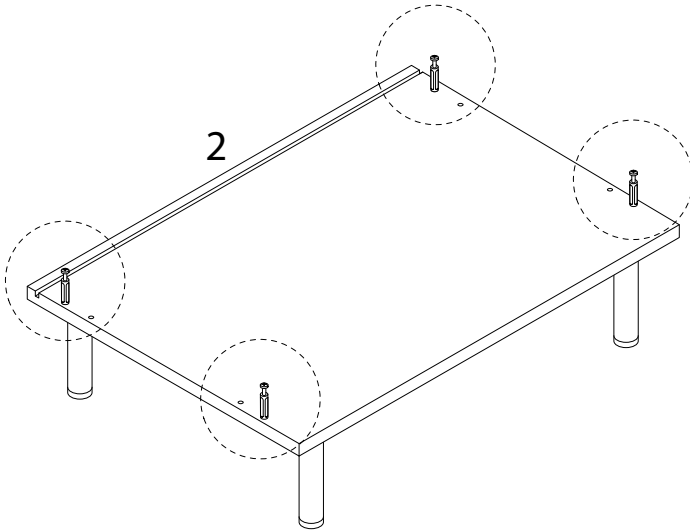
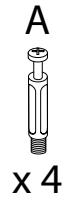
1 x 8



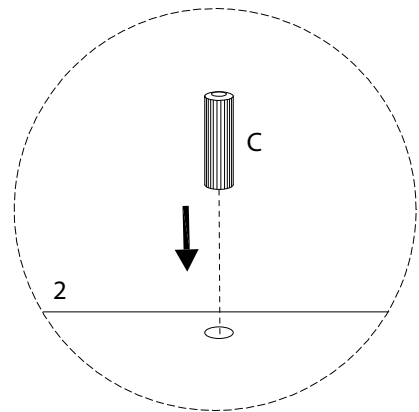
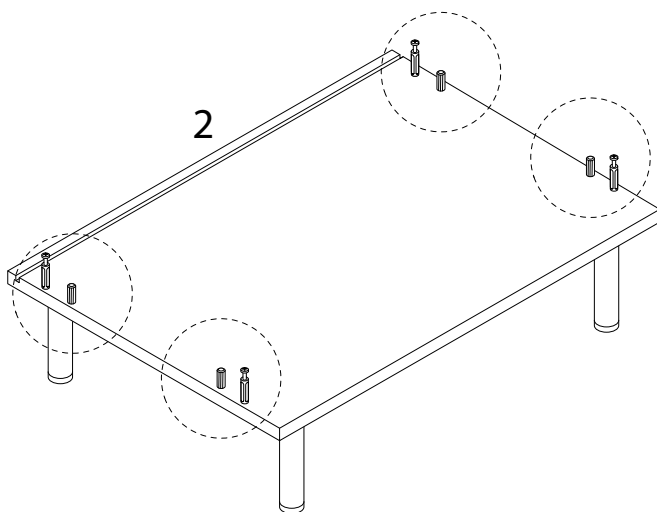
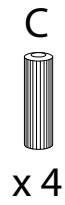
2



3



4



5

3L



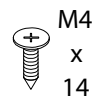
x 1

3R



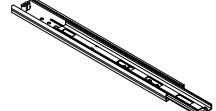
x 1

E

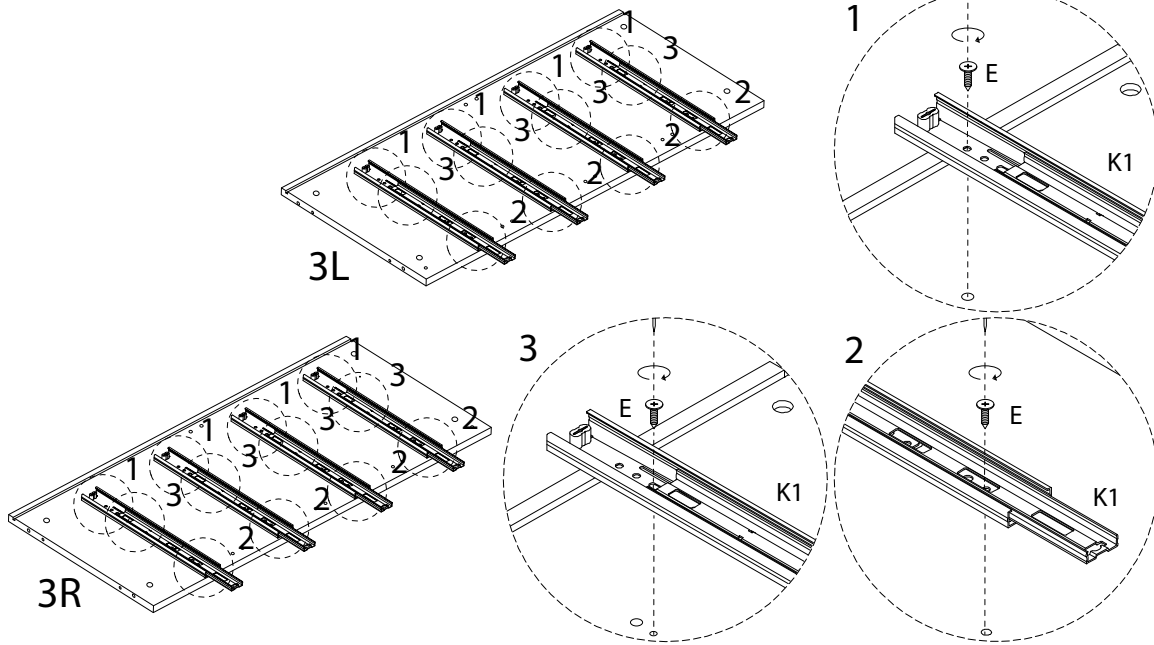


x 24

K1

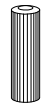


x 8

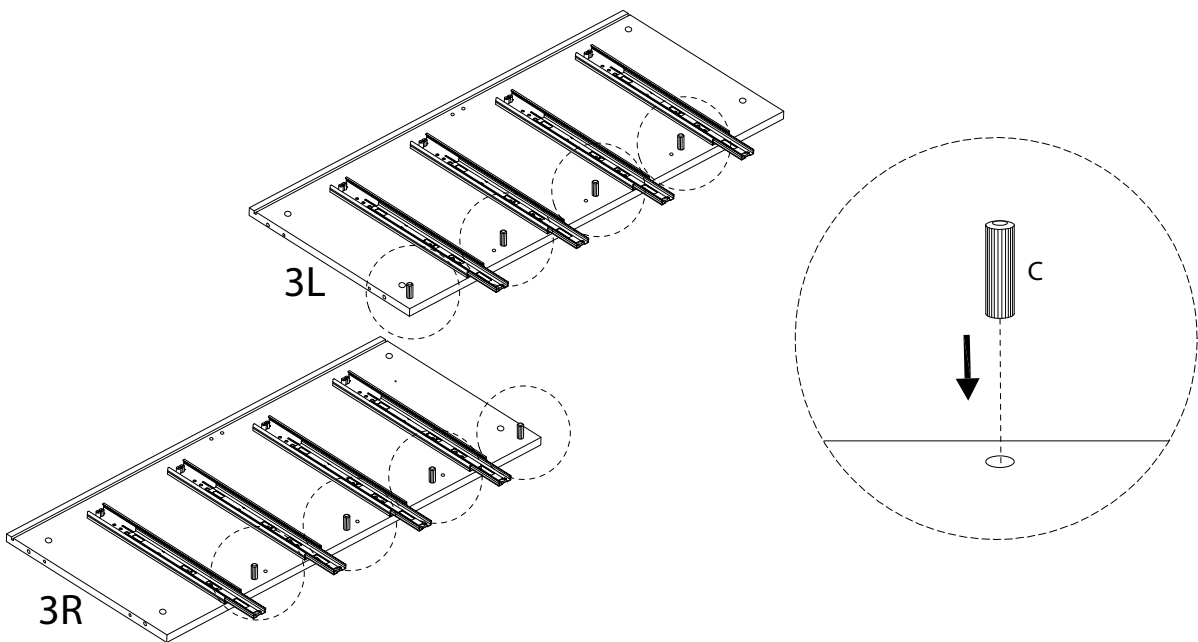


6

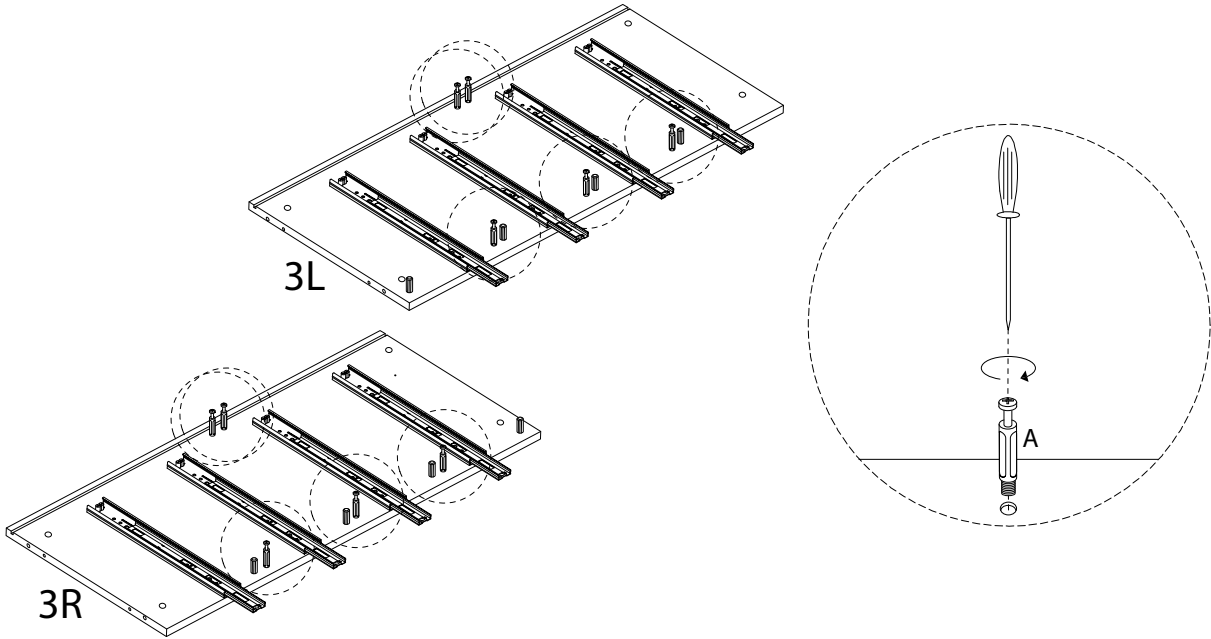
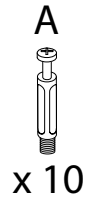
C



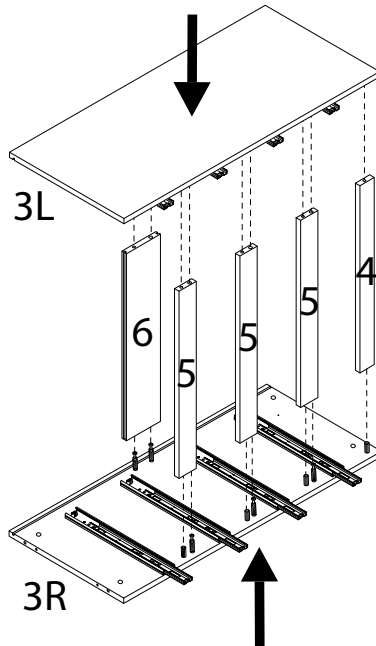
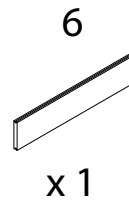
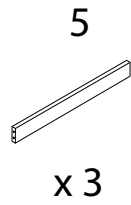
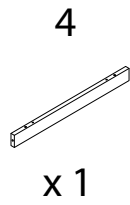
x 8



7

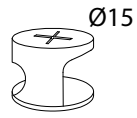


8

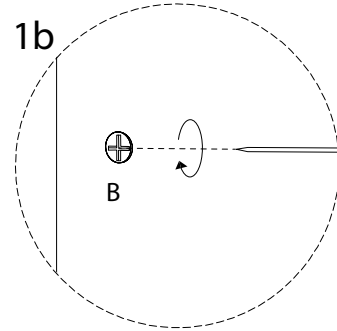
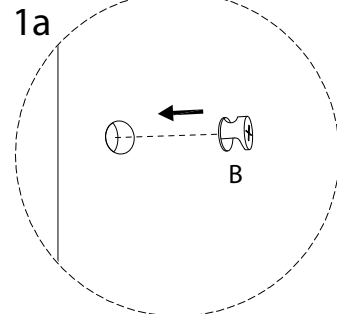
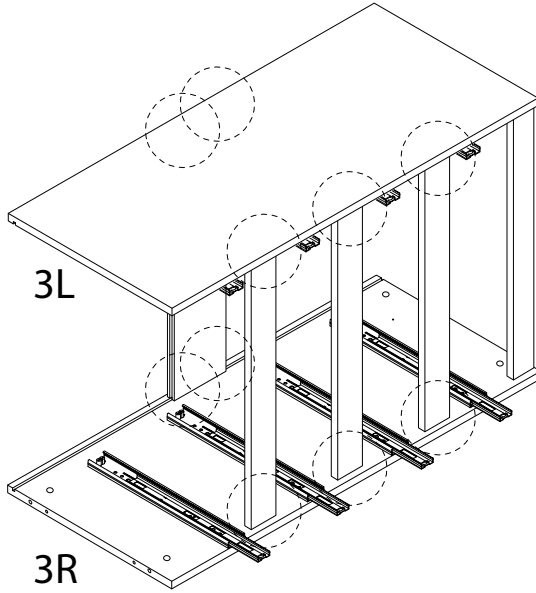


9

B

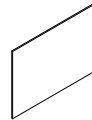


x 10

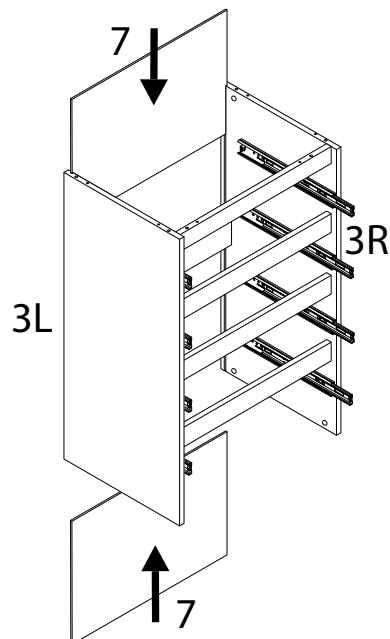


10

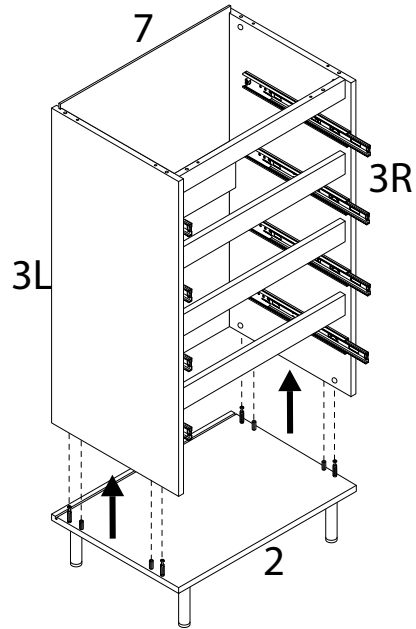
7



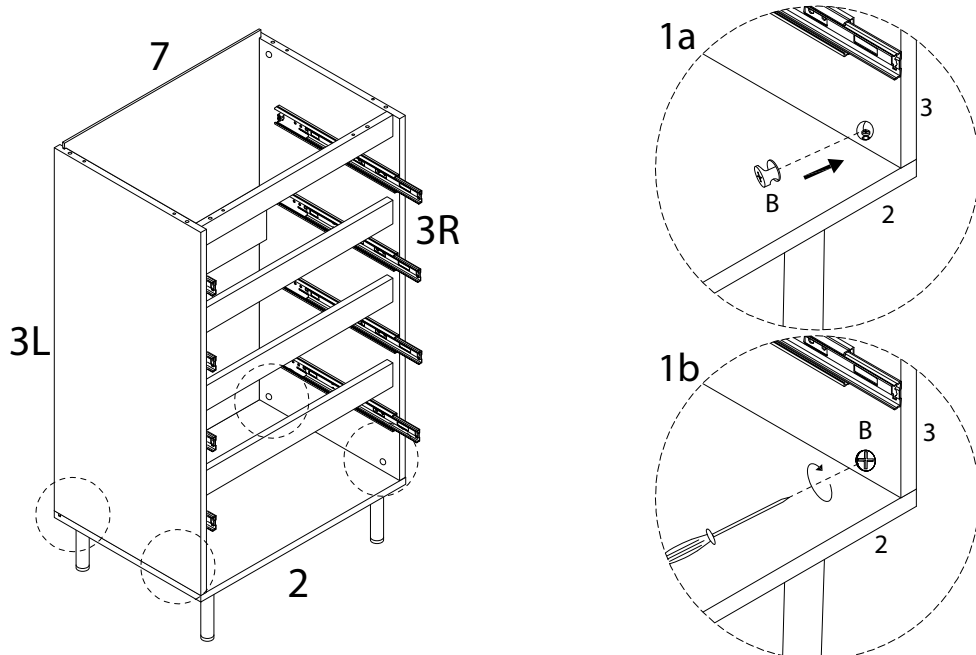
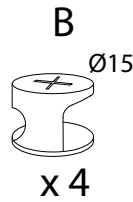
x 2



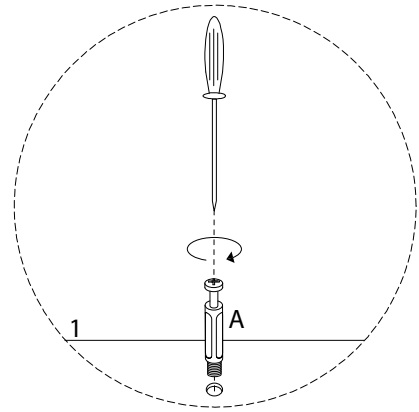
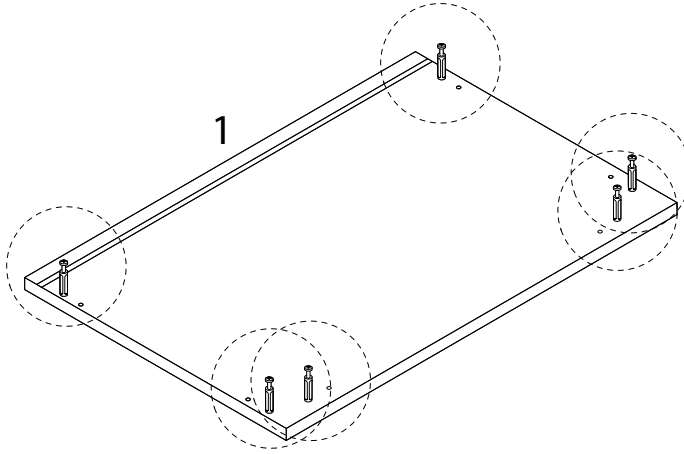
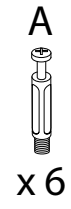
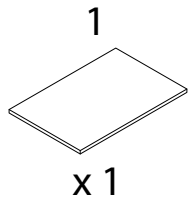
11



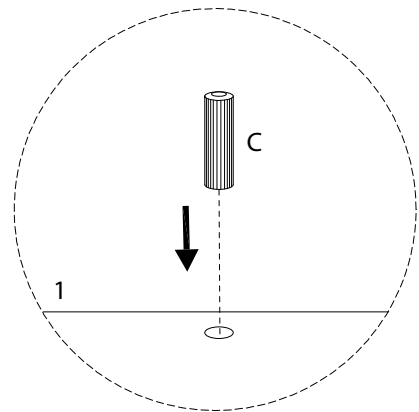
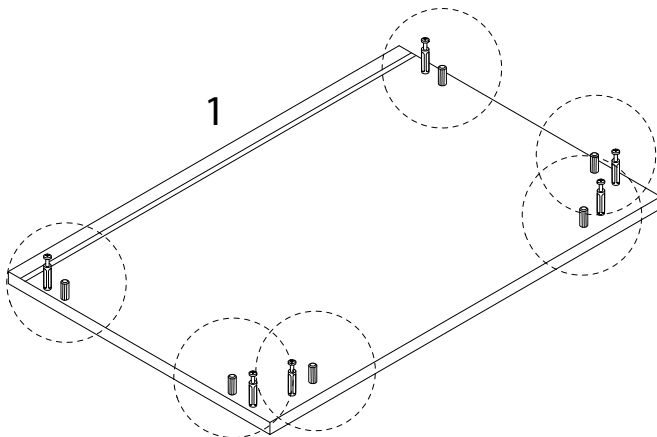
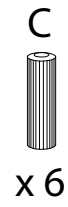
12



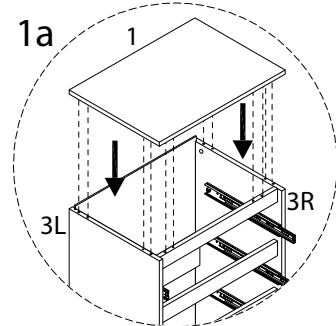
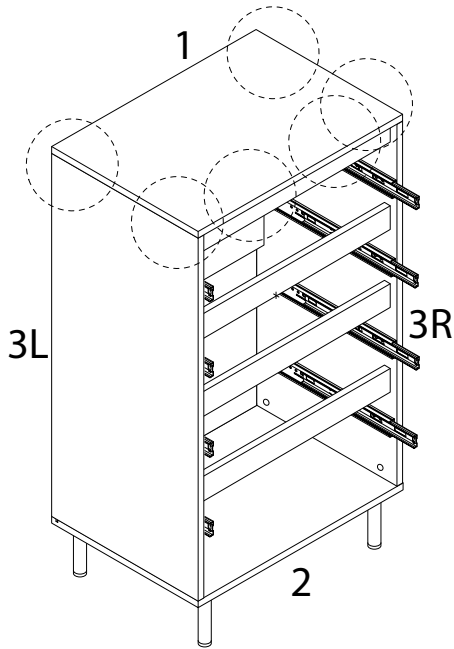
13



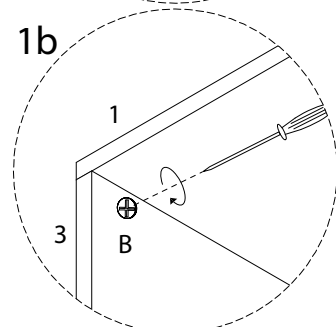
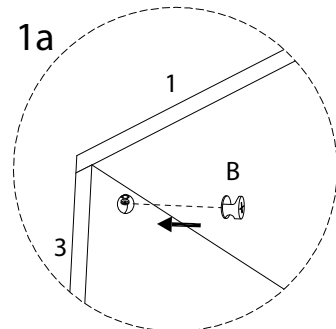
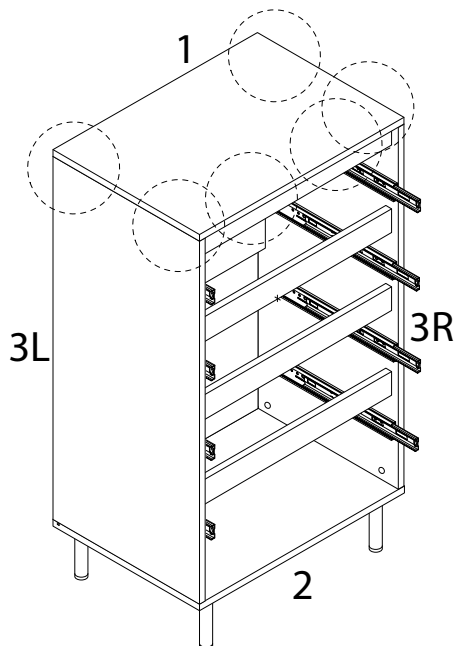
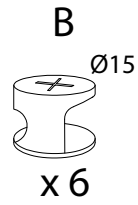
14



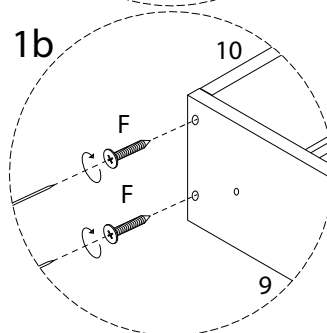
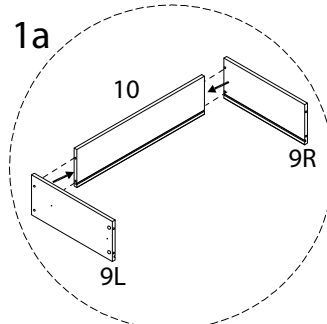
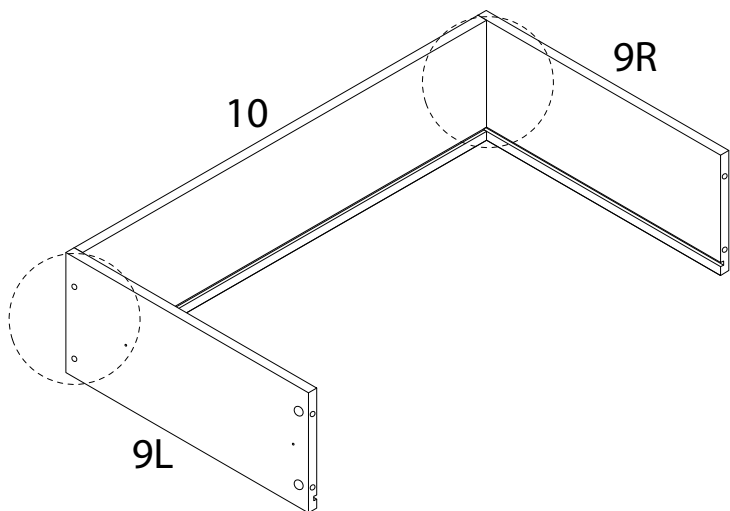
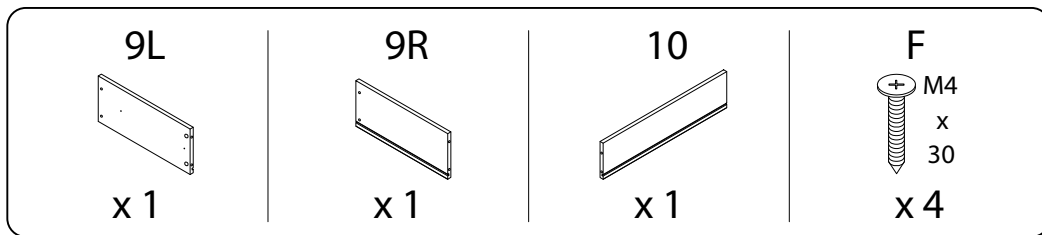
15



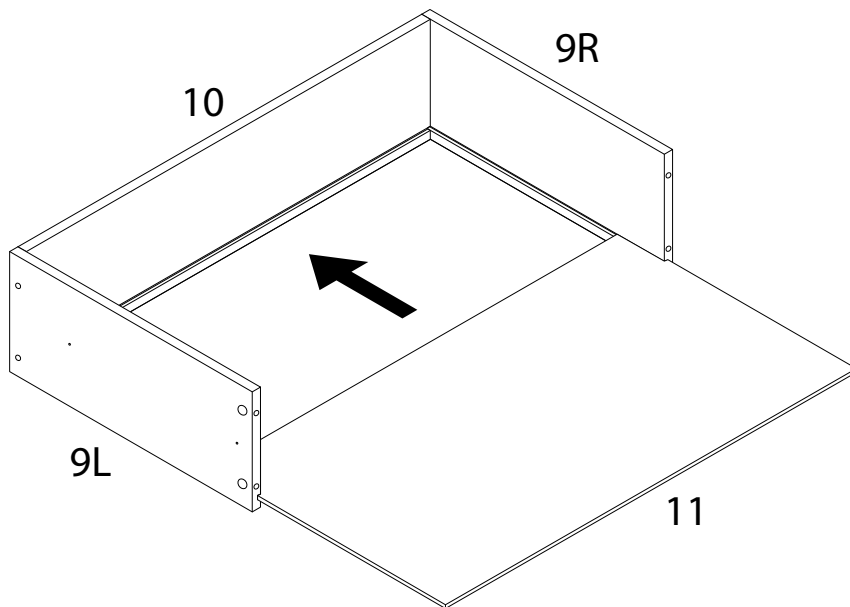
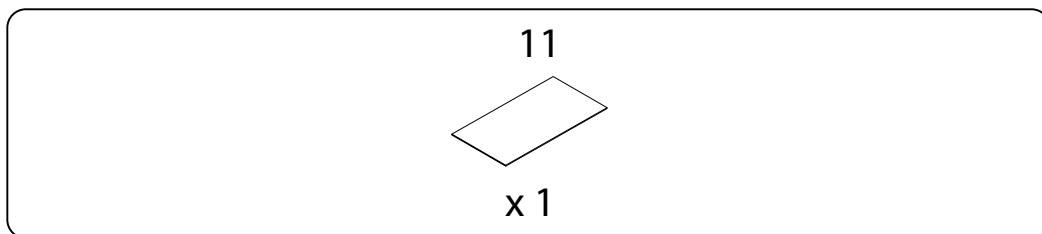
16



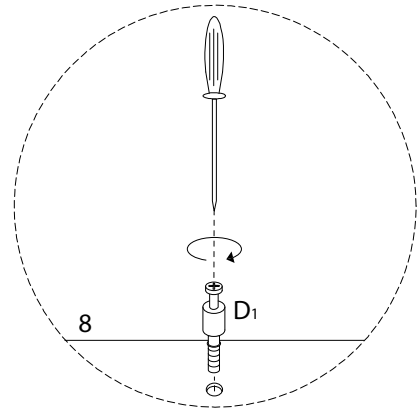
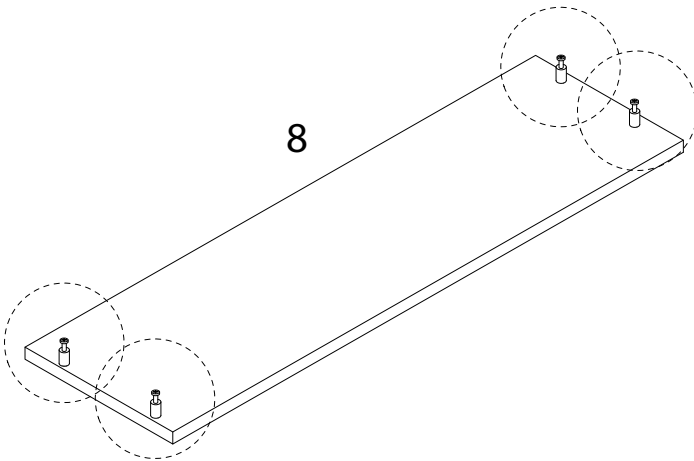
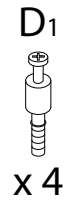
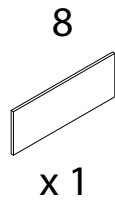
17 x 4



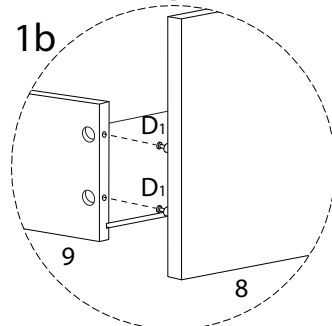
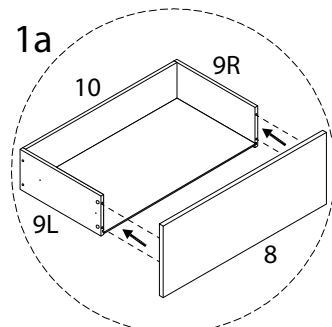
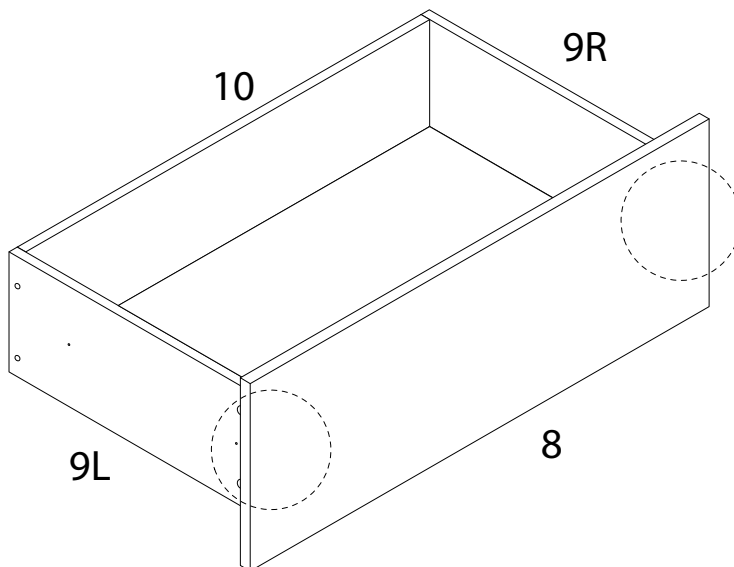
18 x 4



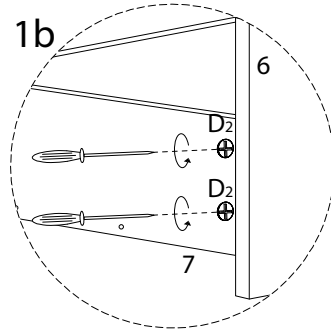
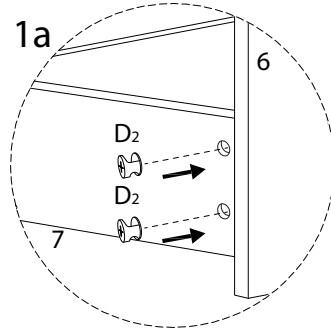
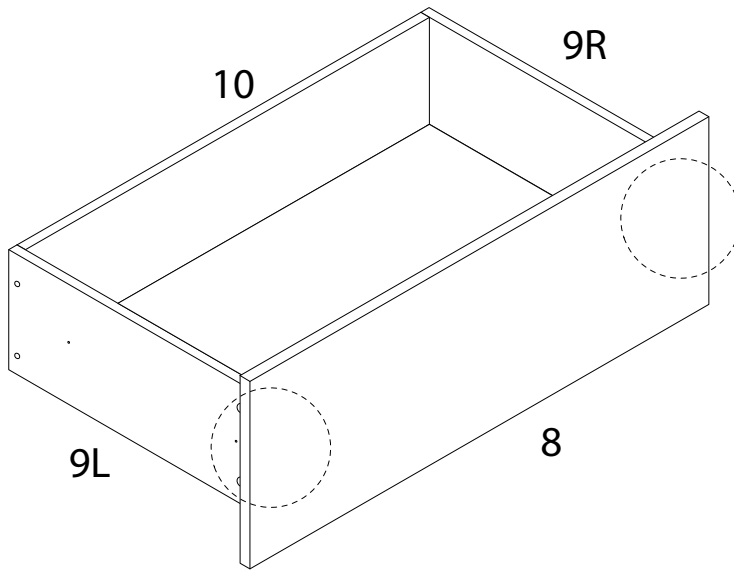
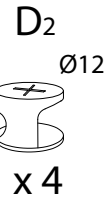
19 x 4



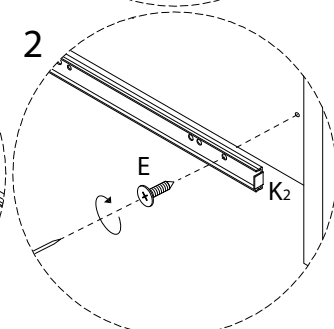
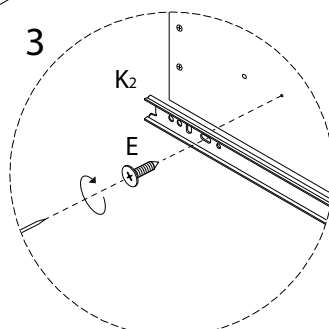
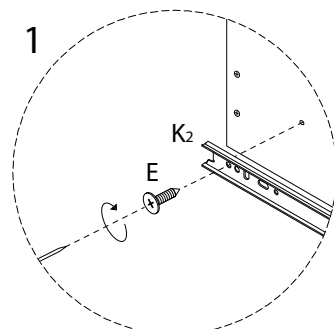
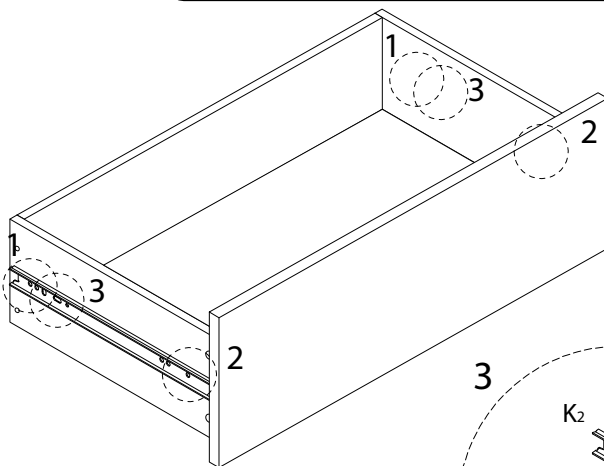
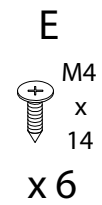
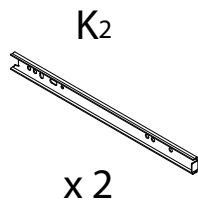
20 x 4



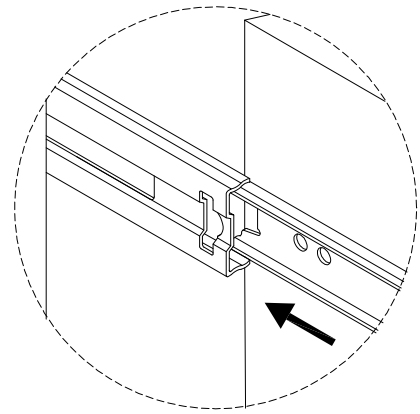
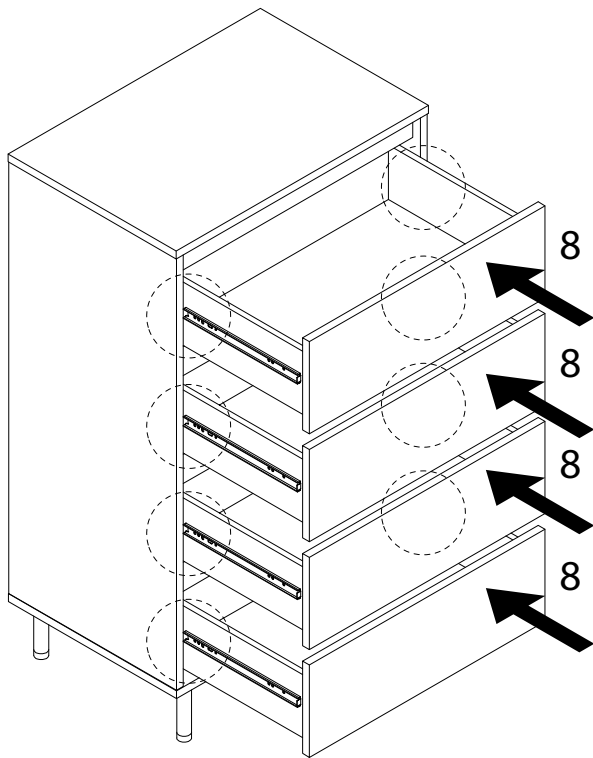
21 x 4



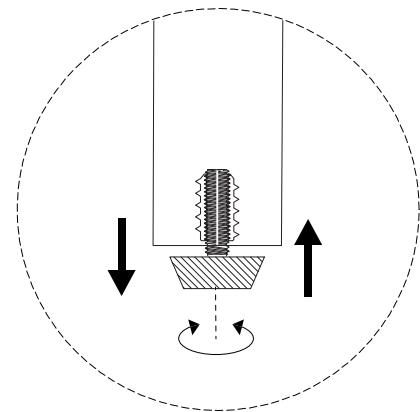
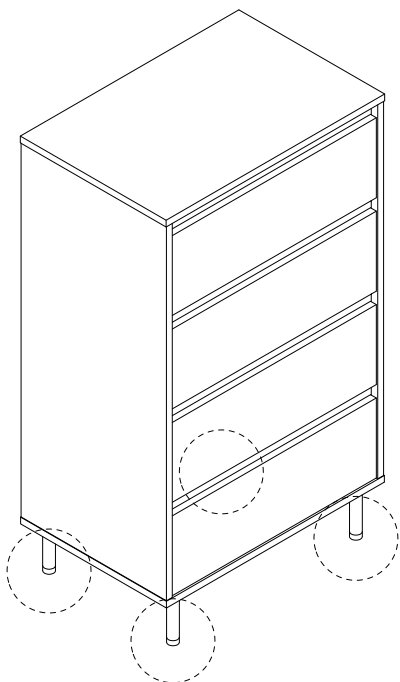
22 x 4



23

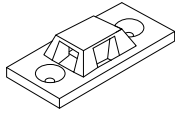


24



25

P₂



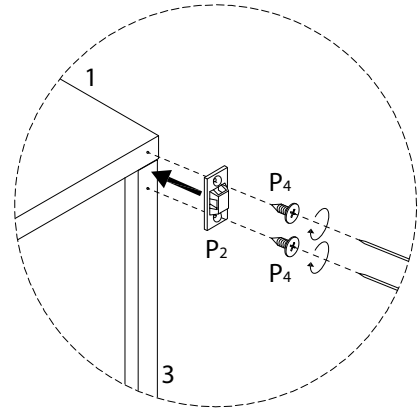
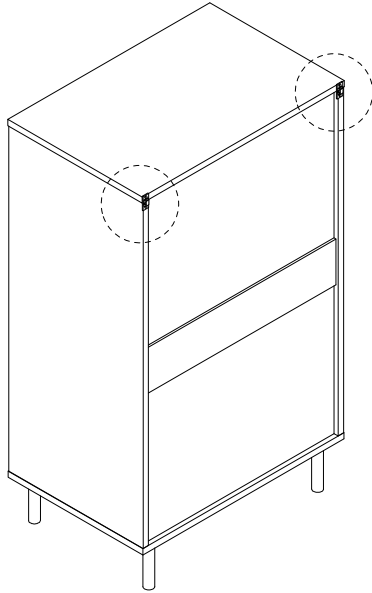
x 2

P₄



M3
x
12

x 4



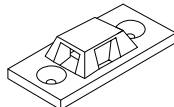
26

P₁



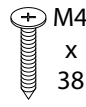
x 4

P₂



x 2

P₃



M4
x
38

x 4

P₅



x 2

