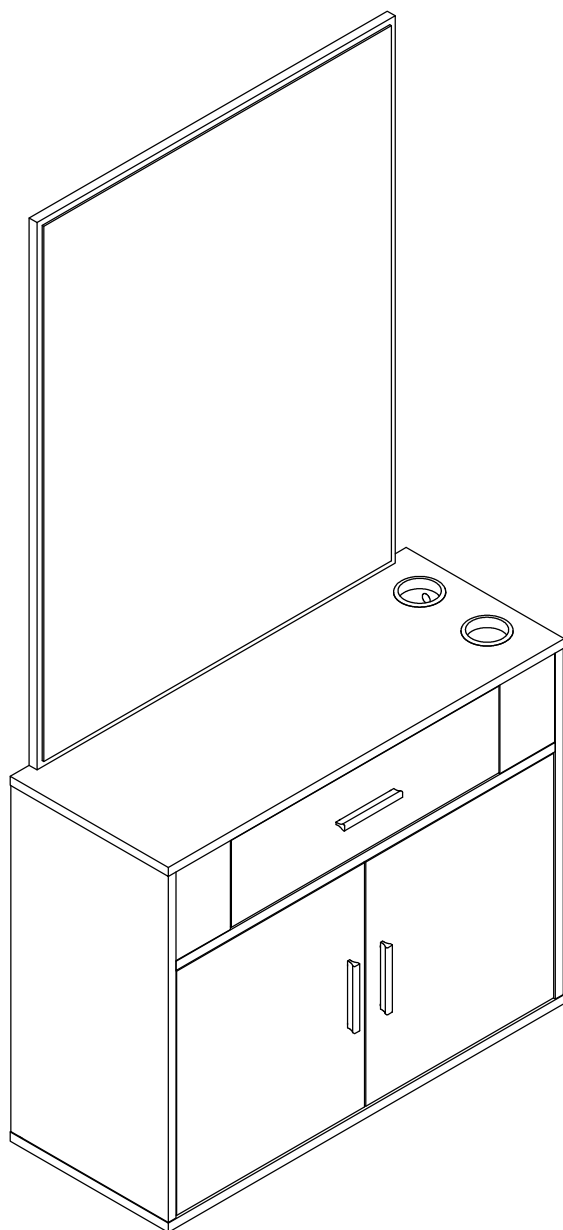


HAIR STYLING STATION

USER MANUAL



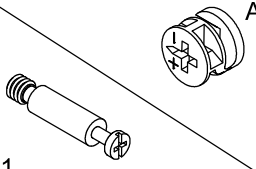

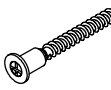

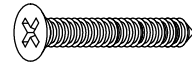
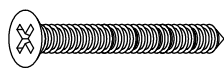
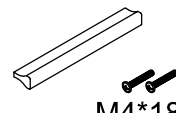
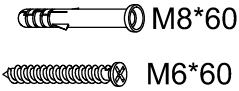
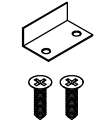
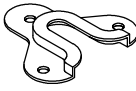

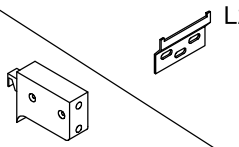
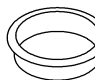
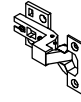
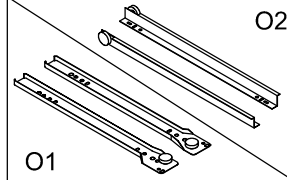

⚠ WARNING

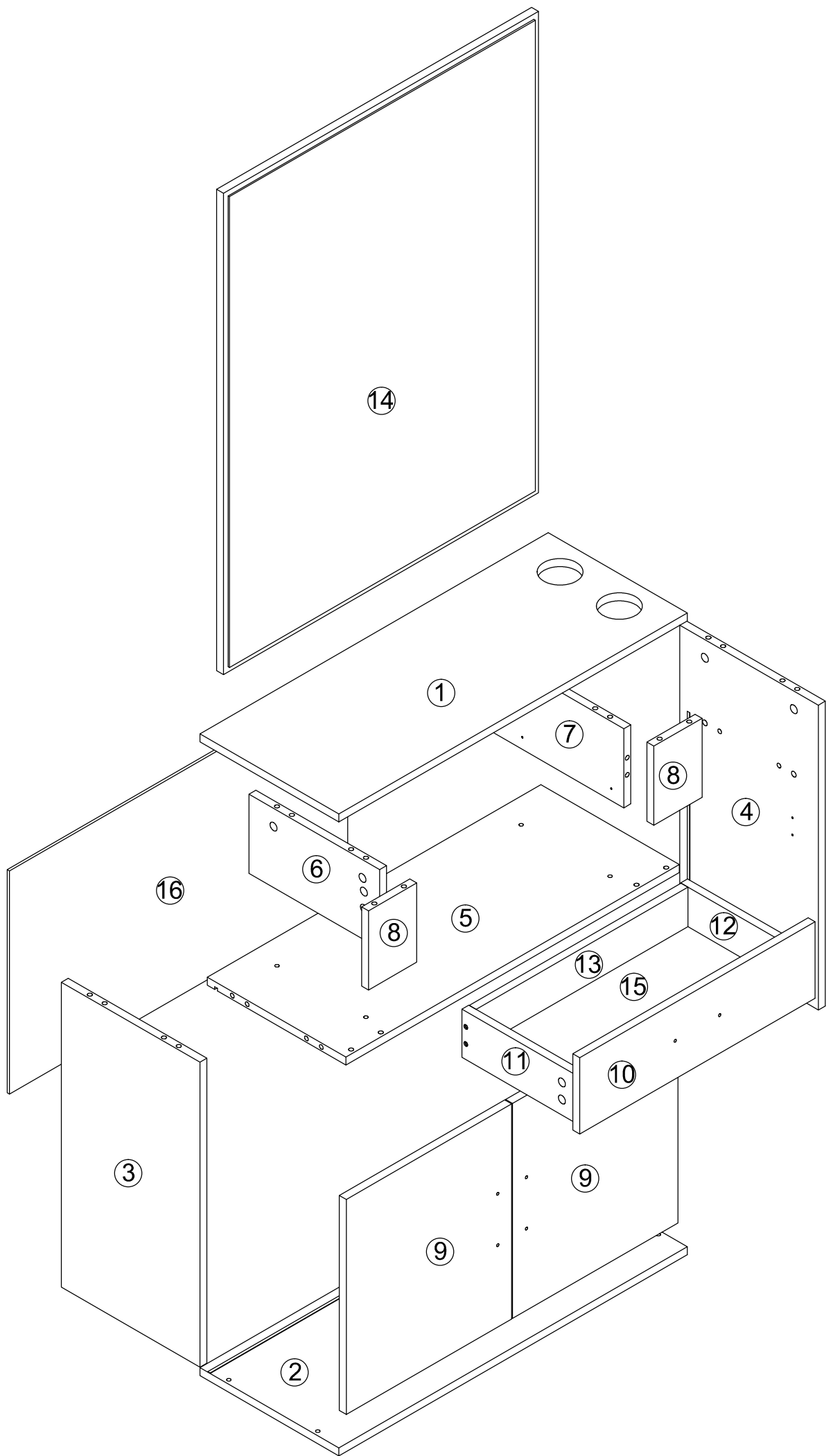


Children have died from furniture tipover. To reduce the risk of furniture tipover:

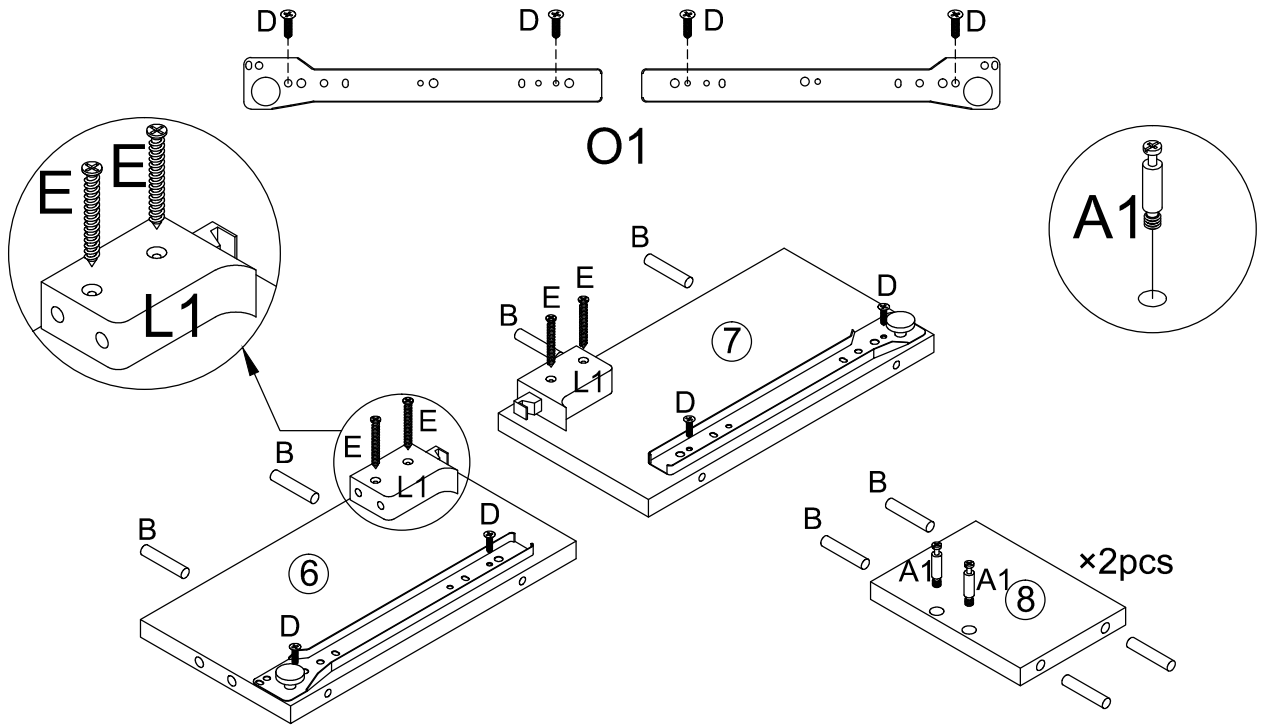
- ALWAYS install tipover restraint provided.
- NEVER put a TV on this product.
- NEVER allow children to stand, climb or hang on drawers, doors, or shelves.
- NEVER open more than one drawer at a time.
- Place heaviest items in the lowest drawers.
- Do not defeat or remove the drawer interlock system.

*This is a permanent label.
Do not remove!*

 <p>A1</p>	 <p>Ø8*40</p>	 <p>Ø7*50</p>	 <p>M3.5*14</p>	 <p>M4*30</p>
<p>A*20</p>	<p>B*20</p>	<p>C*8</p>	<p>D*52</p>	<p>E*4</p>
 <p>M4*35</p>	 <p>M4*18</p>	 <p>M8*60 M6*60</p>	 <p>M3*14</p>	
<p>F*4</p>	<p>G*3</p>	<p>H*8</p>	<p>I*1</p>	<p>J*4</p>
 <p>K*8</p>	 <p>L1</p>	 <p>M*2</p>	 <p>N*4</p>	 <p>O1</p>
<p>K*8</p>	<p>L*2</p>	<p>M*2</p>	<p>N*4</p>	<p>O*1</p>
 <p>Ø20</p>				
<p>P*4</p>				

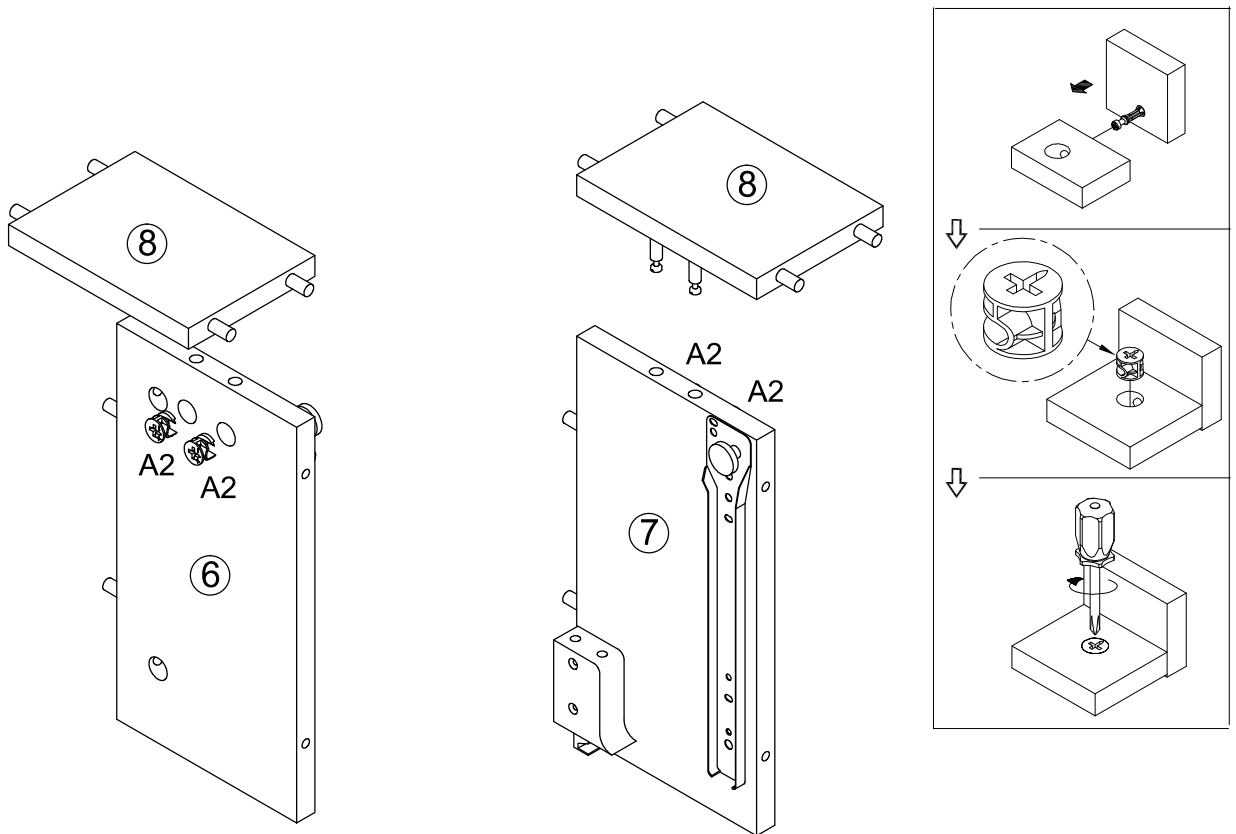


1



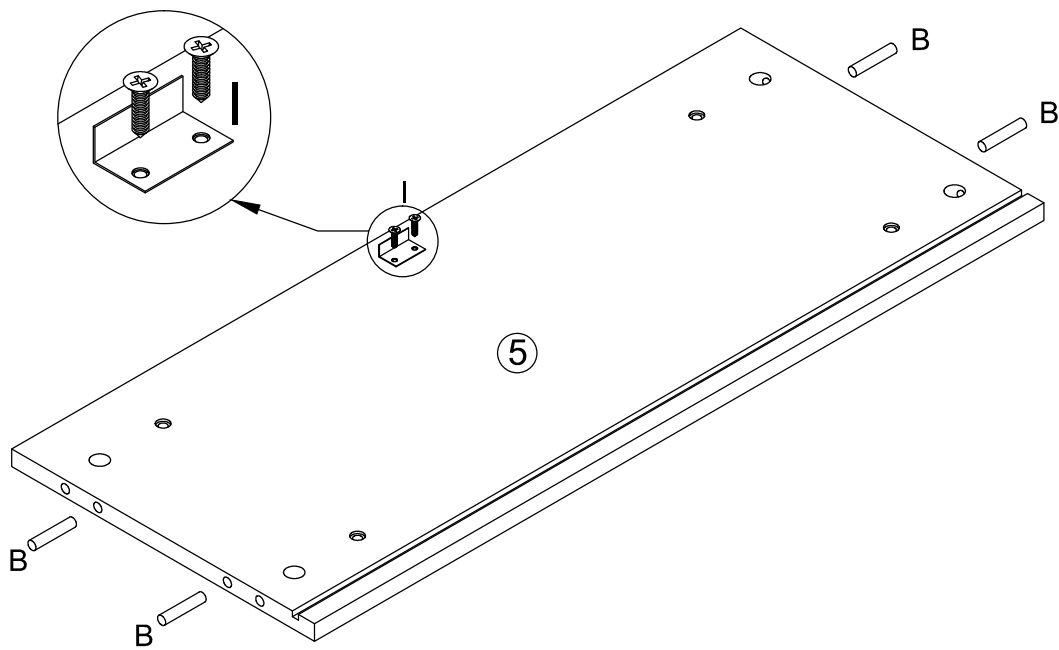
A1*4	B*12	D*4
	Ø8*40	M3.5*14
E*4	L1*2	O1*1
M4*30		



2



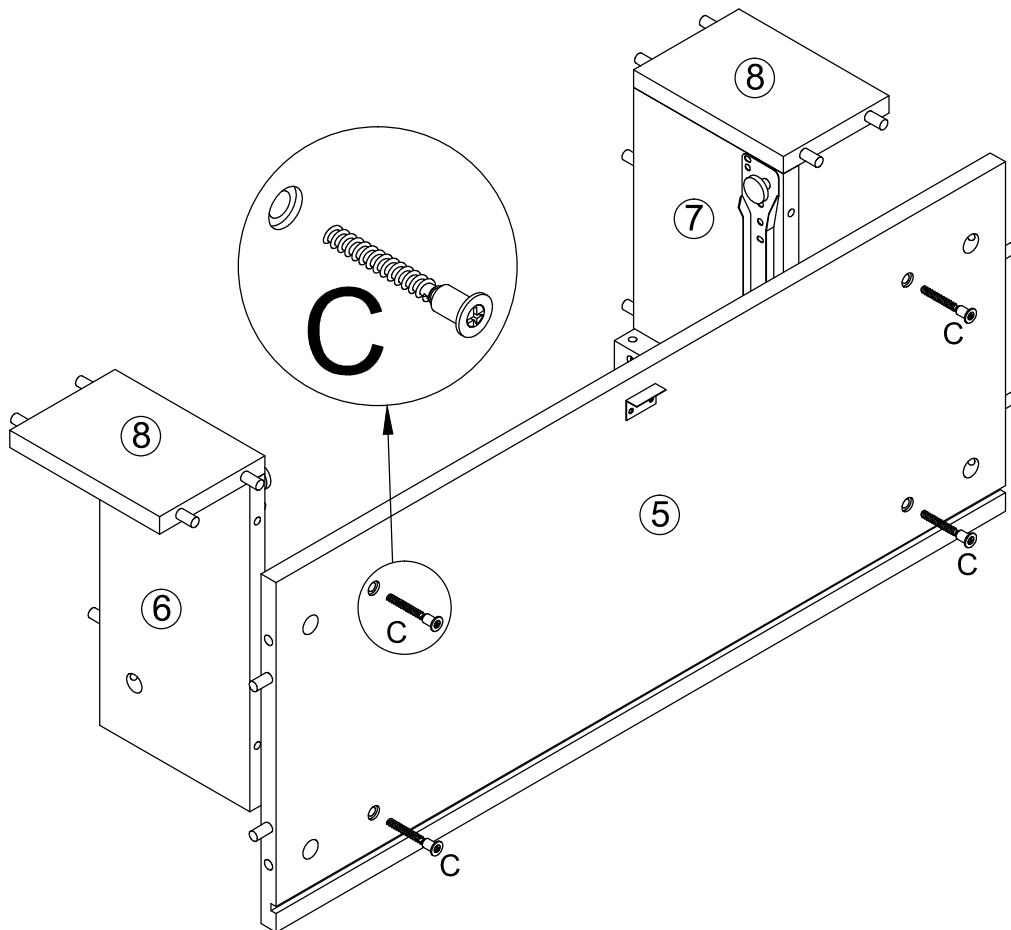
A2*4


3



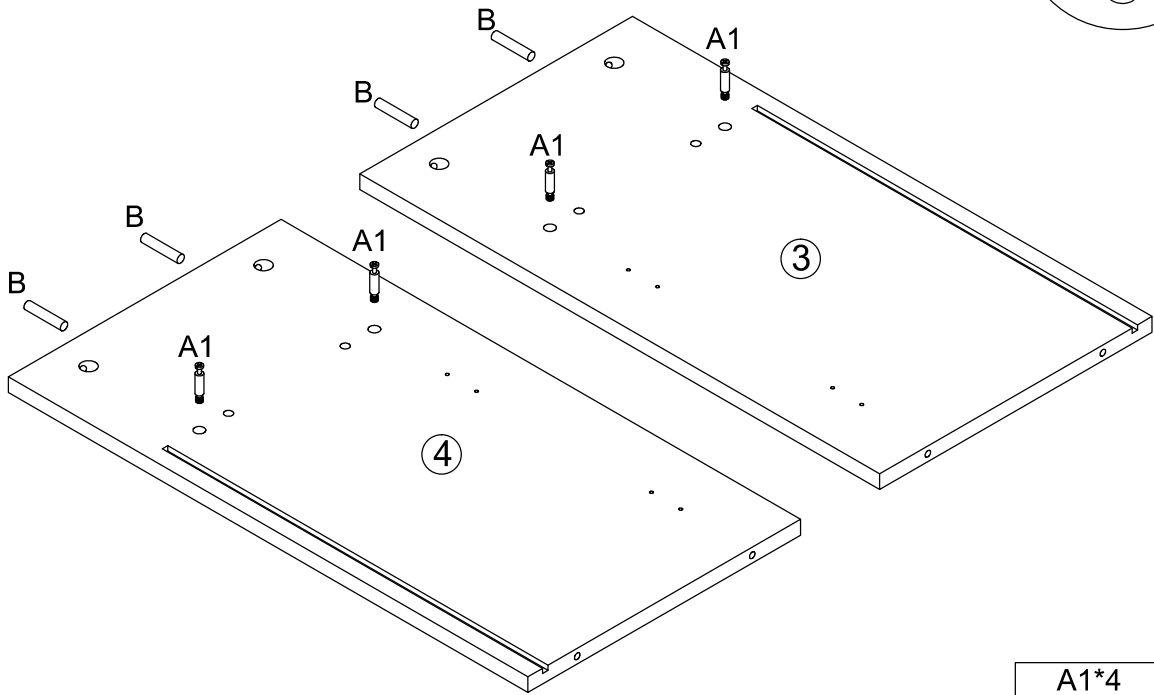
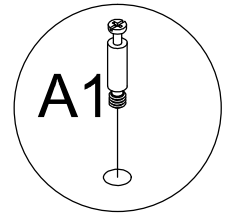
B*4	I*1
 Ø8*40	 M3*14

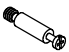

4



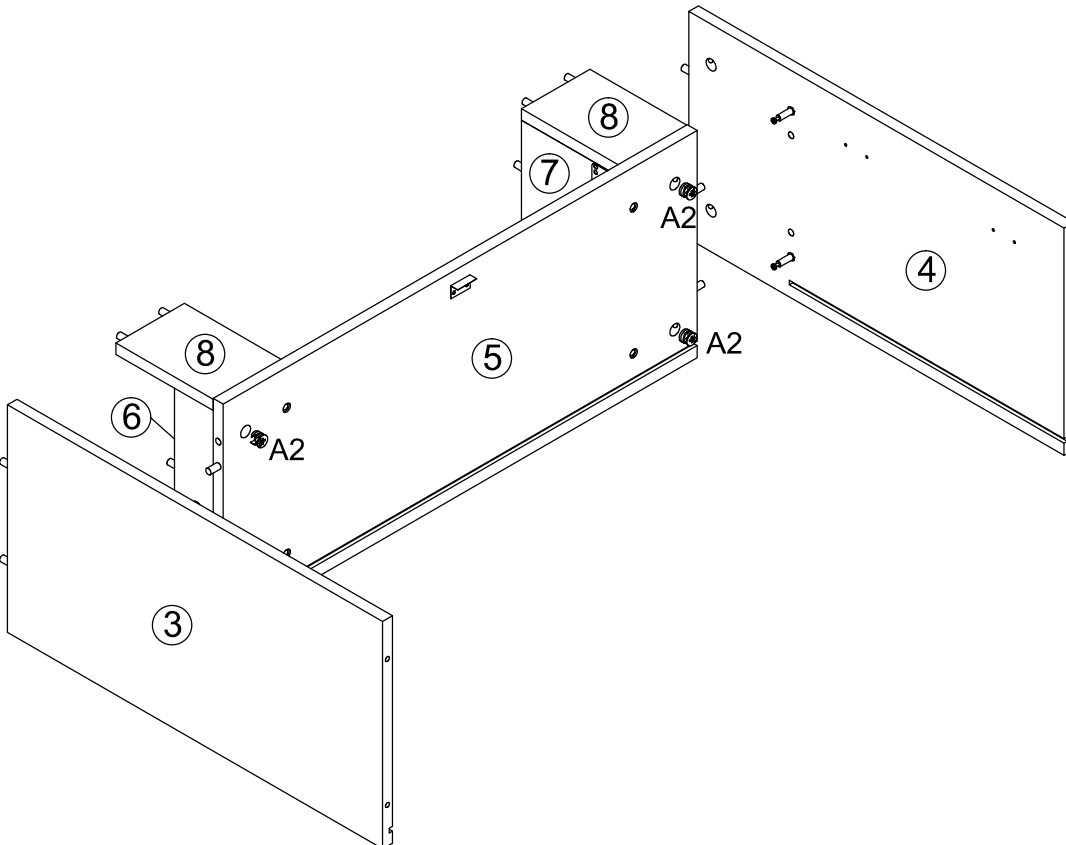
C*4
 M7*50


5



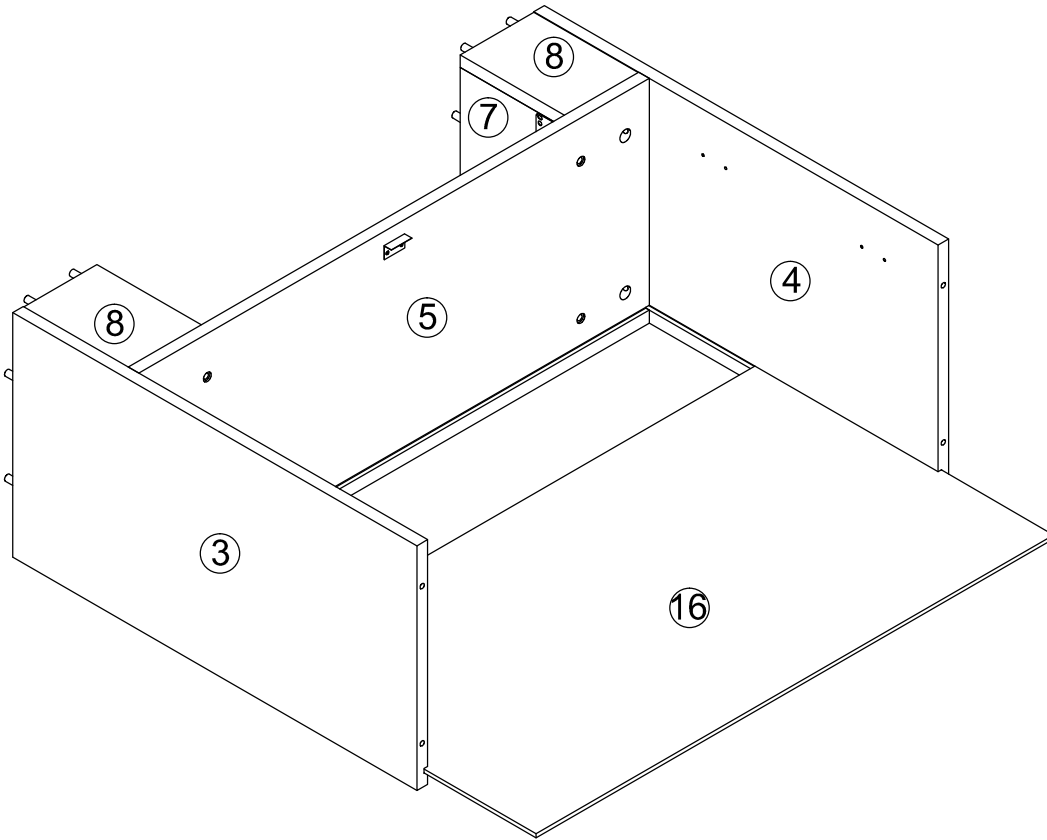
A1*4	B*4
	
	Ø8*40

6

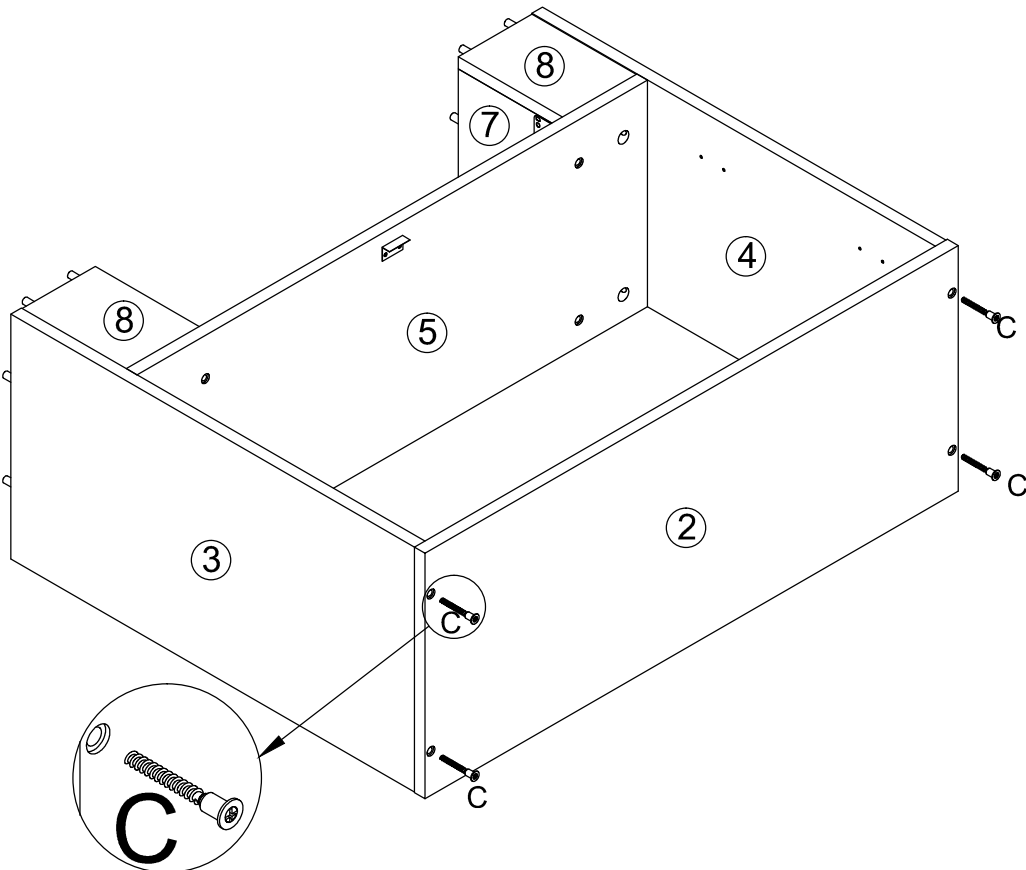


A2*4


7



8

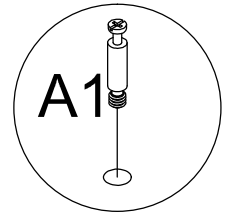
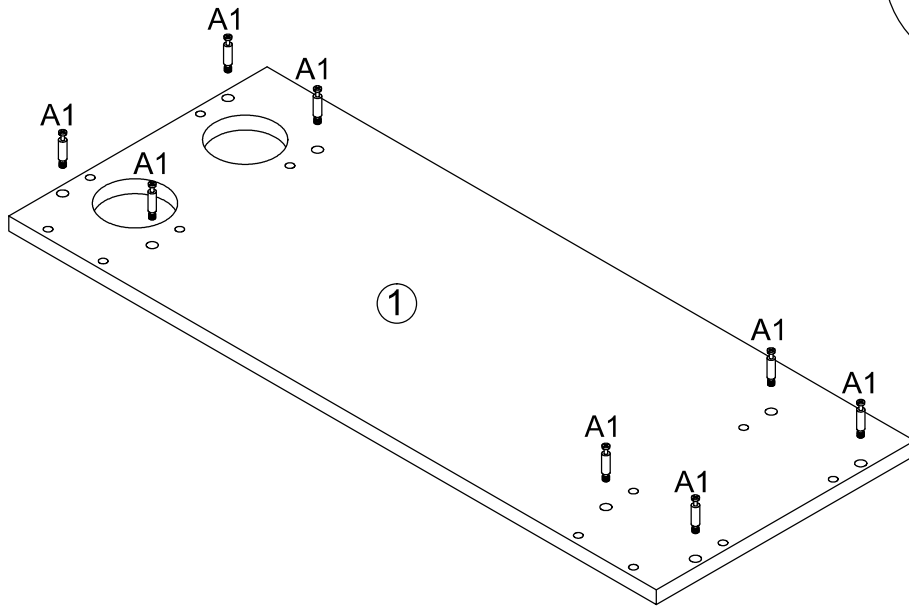


C*4



M7*50

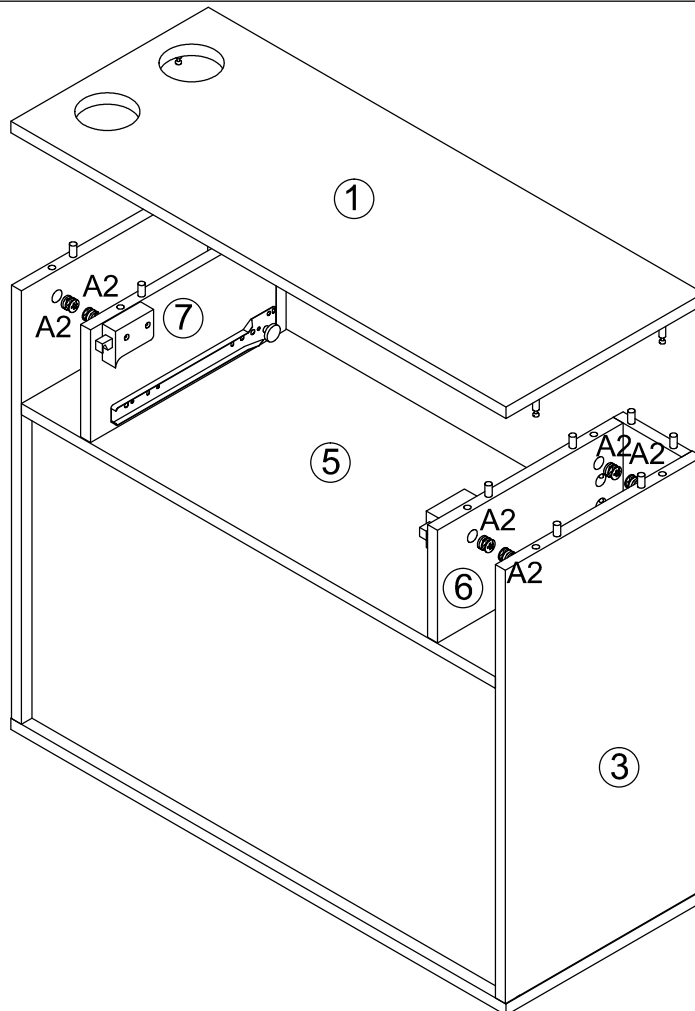
9



A1*8



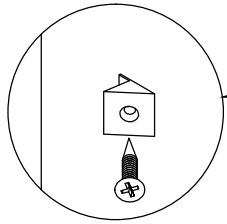
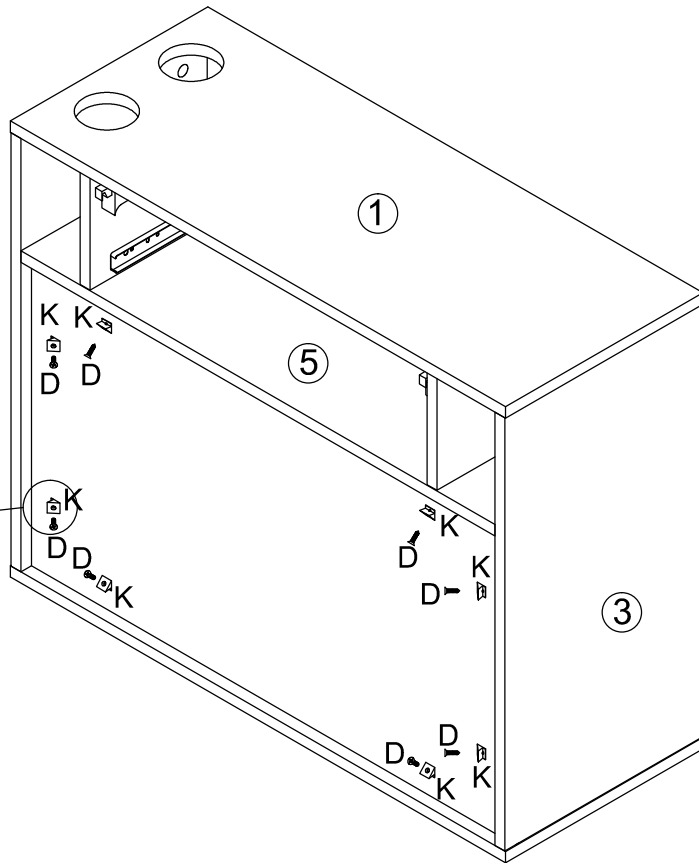
10





A2*8

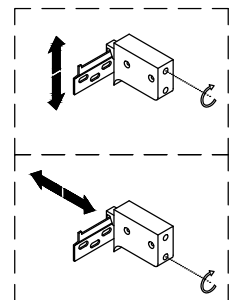
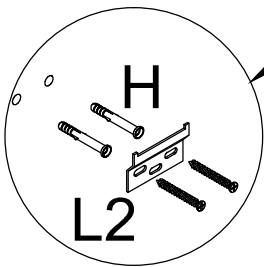
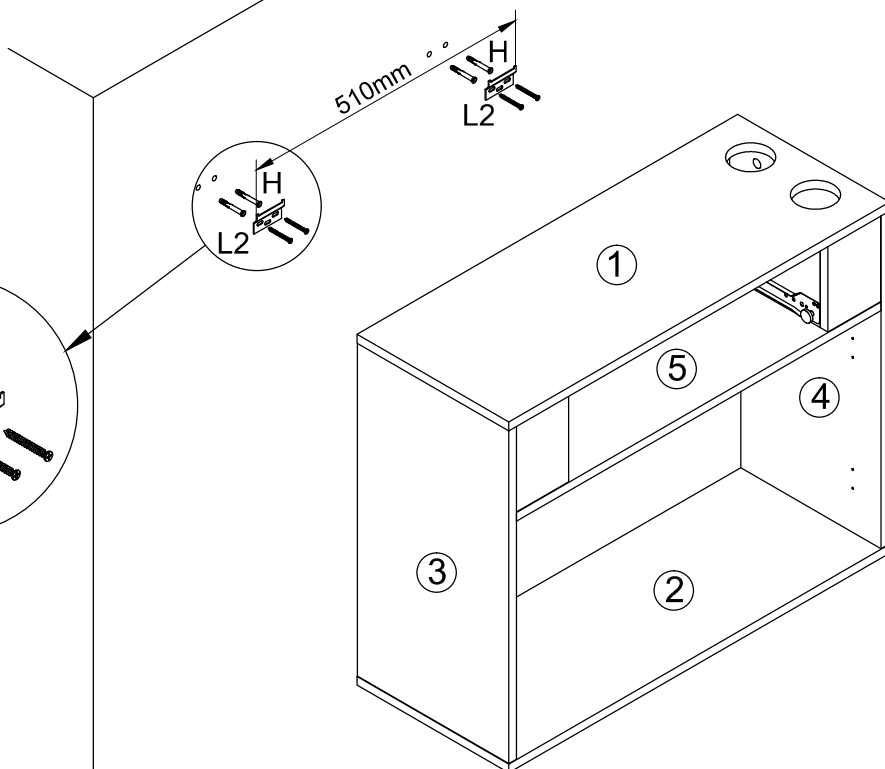


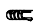

11



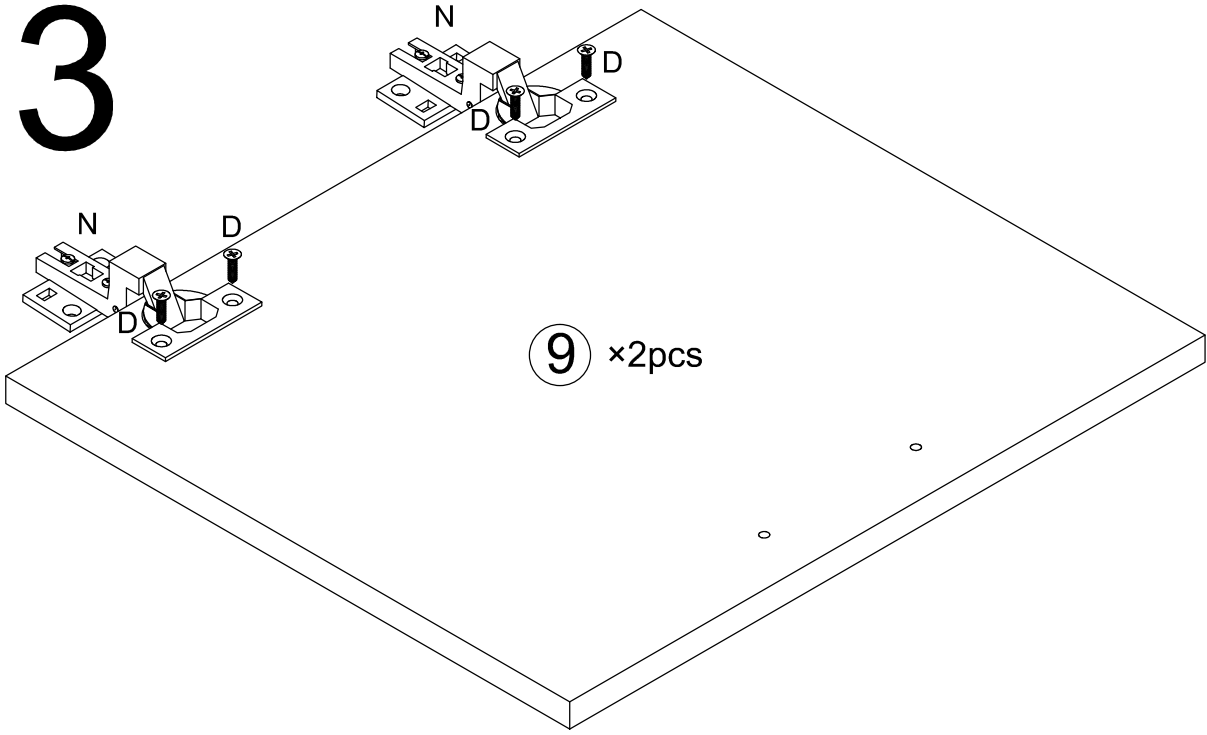
D*8	K*8
	
M3.5*14	

12





H*4	L2*2
	
M8*60	
M6*60	

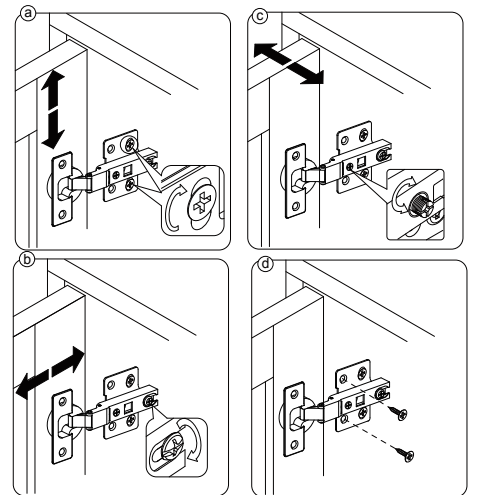
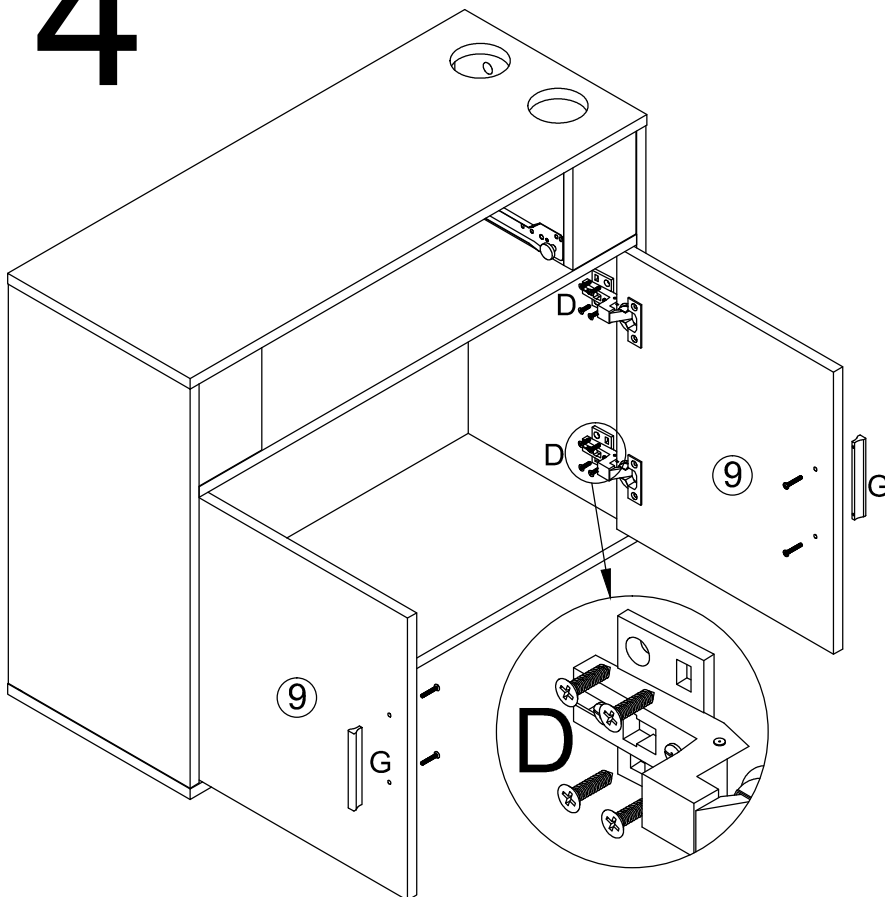
13





9 x2pcs

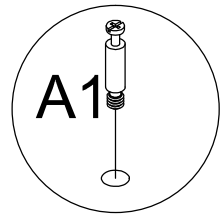
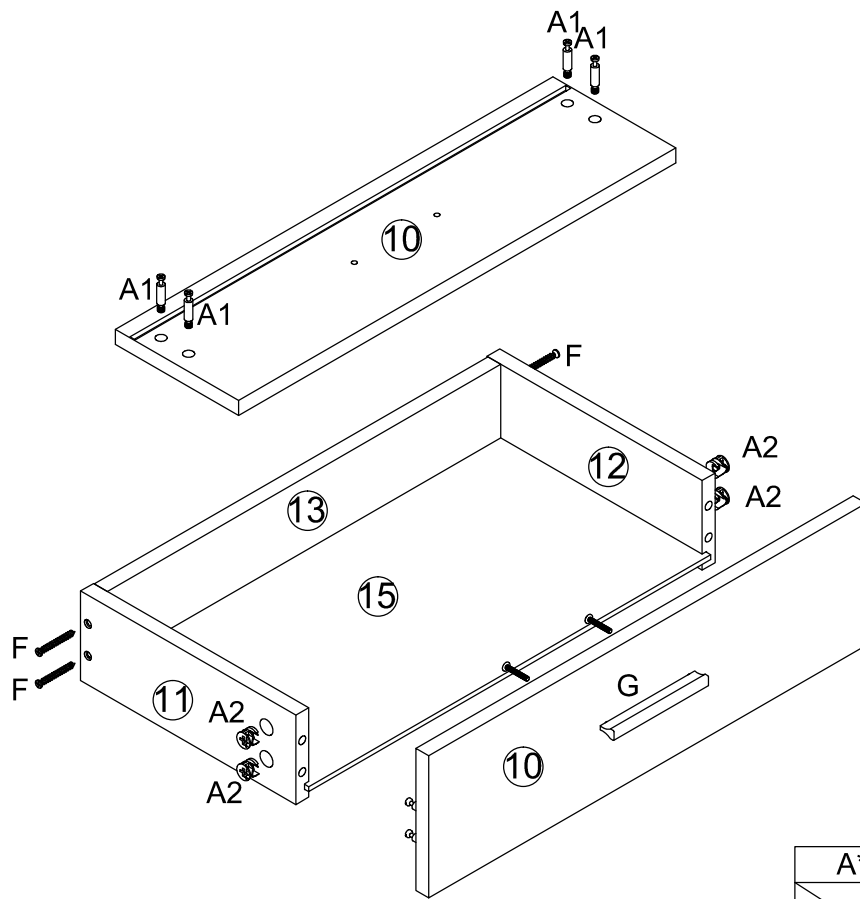
D*8	N*4
 M3.5*14	

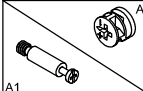

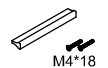
14



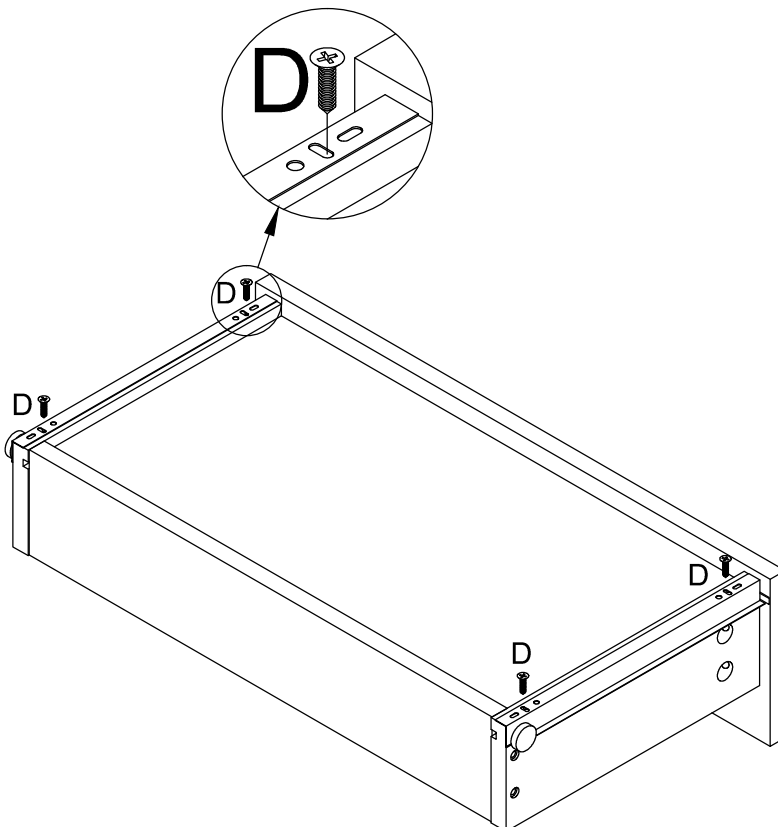
D*16	G*2
 M3.5*14	 M4*18



15



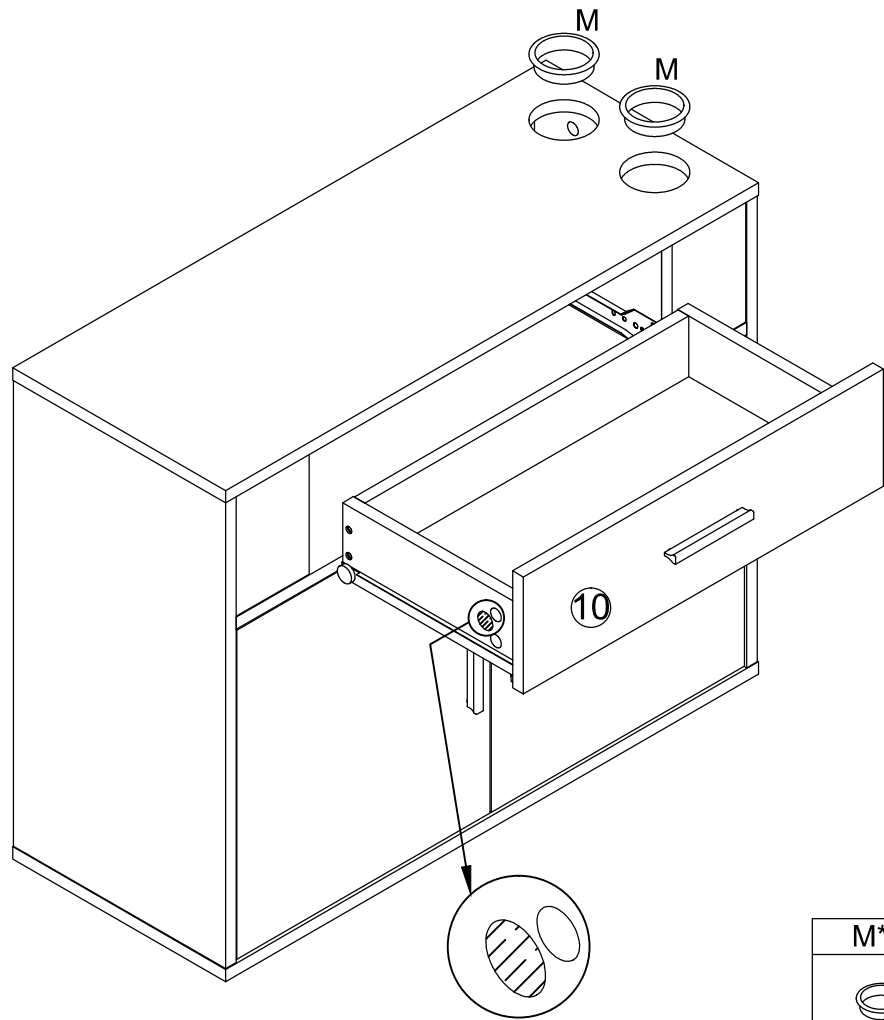
A*4	F*4	G*1
 A1	 M4*35	 M4*18



16



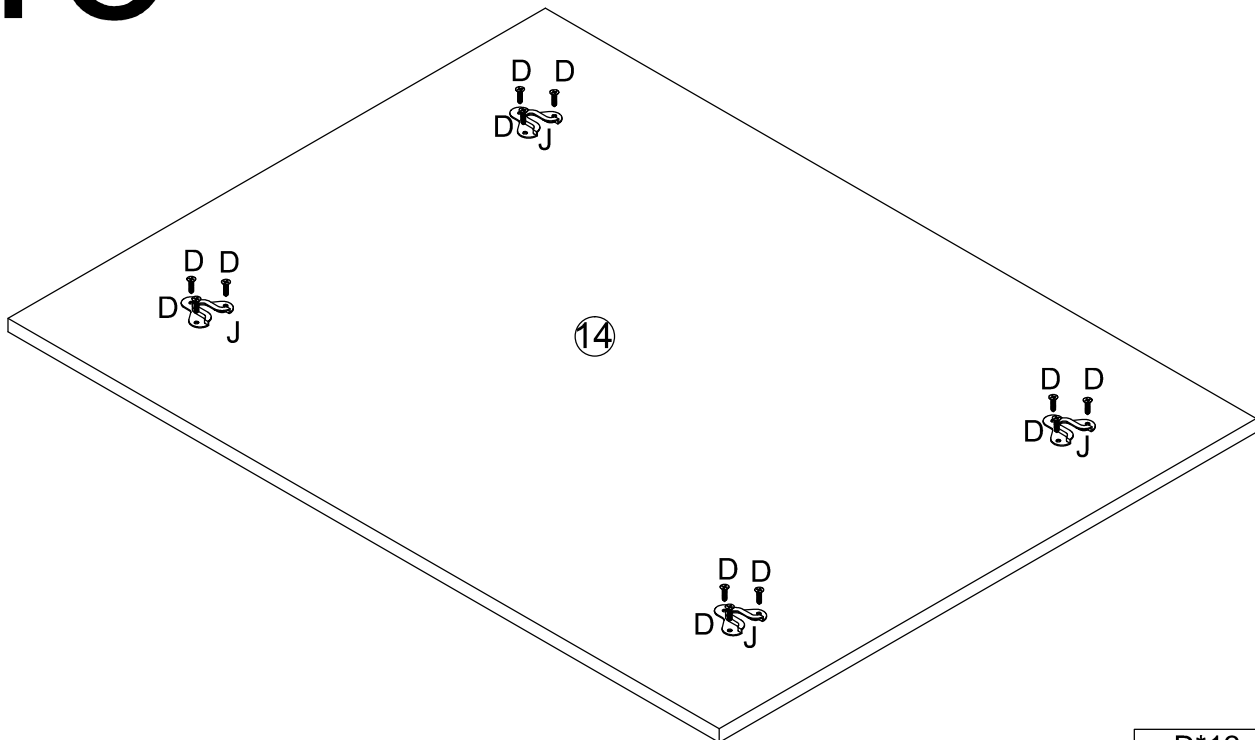
D*4	O2*1
 M3.5*14	



17



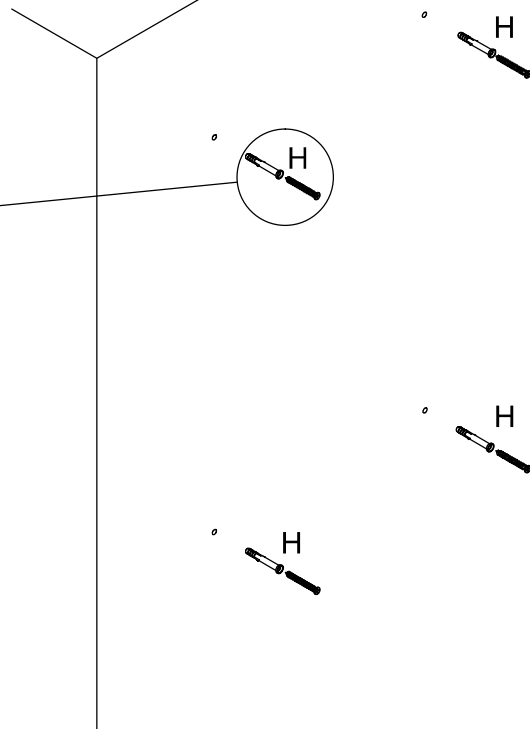
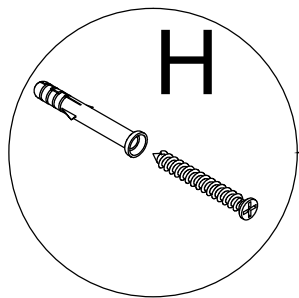
M*2	P*4
	 Ø20

18



D*12	J*4
 M3.5*14	

19



H*4
M8*60
M6*60

20

