

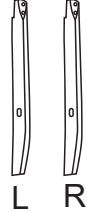











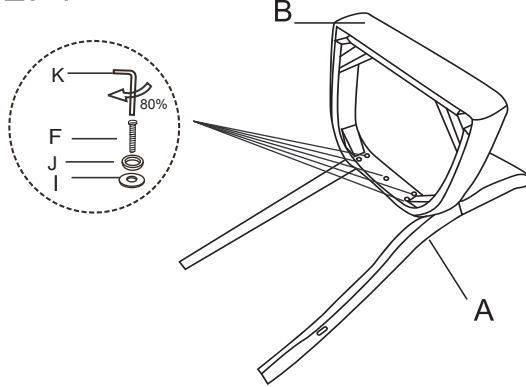


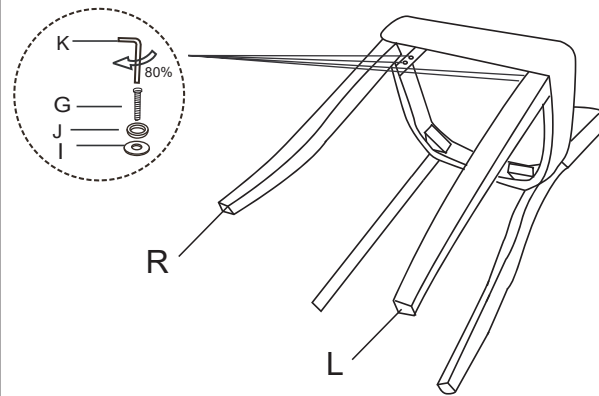
ASSEMBLY INSTRUCTION

ITEM:	Ax1	Bx1	Cx2	Dx1	Ex1	Fx5	Gx4	Hx4	Ix9	Jx9	Kx1	Lx2	Mx2	Nx1
Bar Stool						 M8x50MM	 M8x60MM	 M4.5x50MM	 Φ8	 Φ8	 Φ8	 M6x40MM	 Φ6	 Φ6

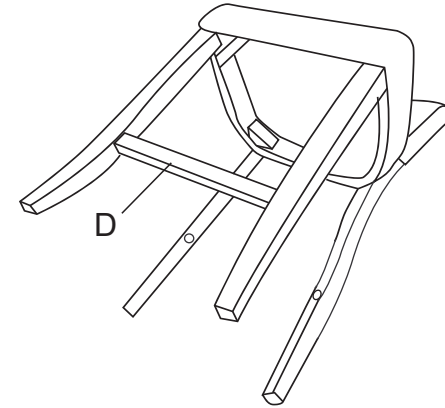
STEP1



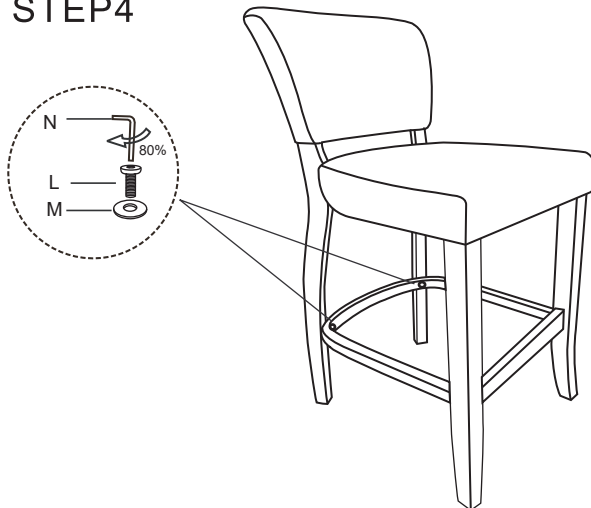
STEP2



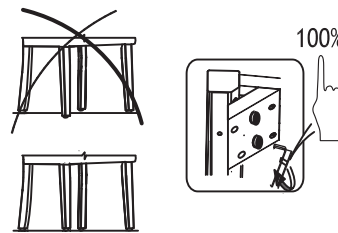
STEP3



STEP4

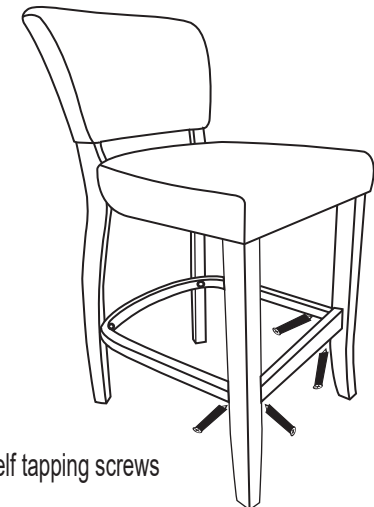


STEP5



Put chair in the upright position and press downwards on the seat pad ensuring that all 4 feet touch the ground and chair is level. Proceed to tighten all bolts making sure the chair remains level when tightening. Check that all bolts are tight on a regular basis to ensure chair remains level and secure

STEP6



Finally, lock the 4 lesson self tapping screws