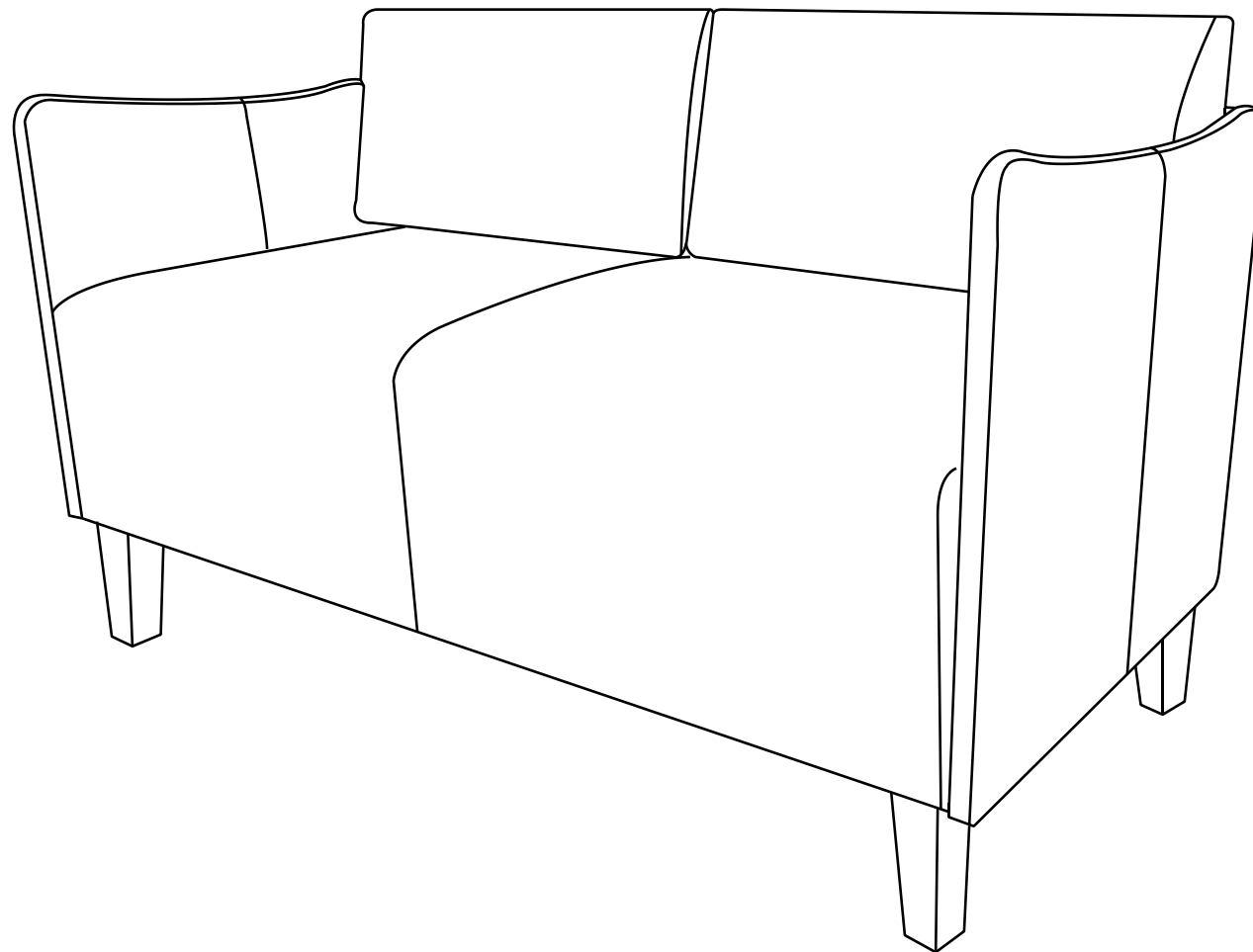


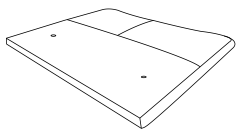
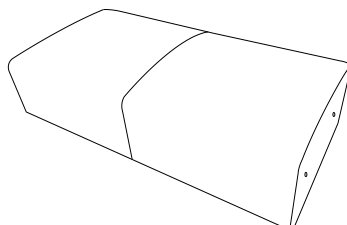
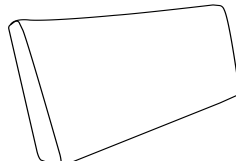
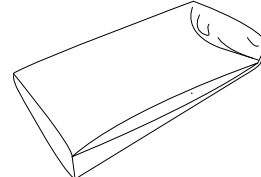
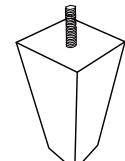
Assembly Instructions

Caution: You must read this before you proceed.

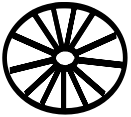
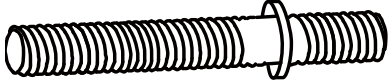



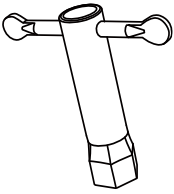


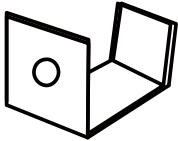
LOVESEAT



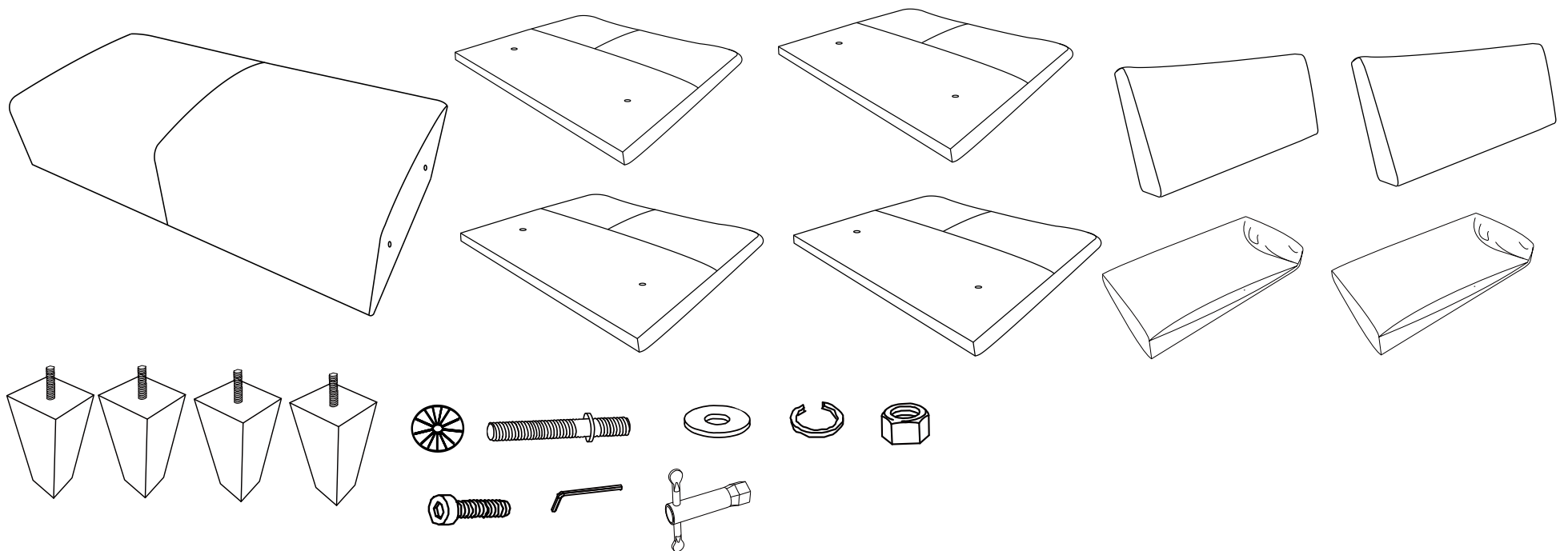
Parts List

Label	Picture	Description	Qty
A		Armrest & Backrest	4
B		Seat	1
C		Pillow	2
D		Pillow Cover	2
E		Leg	4

Hardware

Label	Picture	Description	Qty
①		Gasket	7
②		Screw Arbor	9
③		Flat Washer	10
④		Spring Washer	10
⑤		Nut	9
⑥		Spanner	1
⑦		Bolt (M8*25MM)	2
⑧		Allen Key	1
⑨		Connecting Piece (Option for 2 or 3 Lovesets)	1

Assembly Preparation



- Read instructions, cover to cover-



- Have 2 adults on hand for assembly-



- Do not assemble on flooring or carpet-



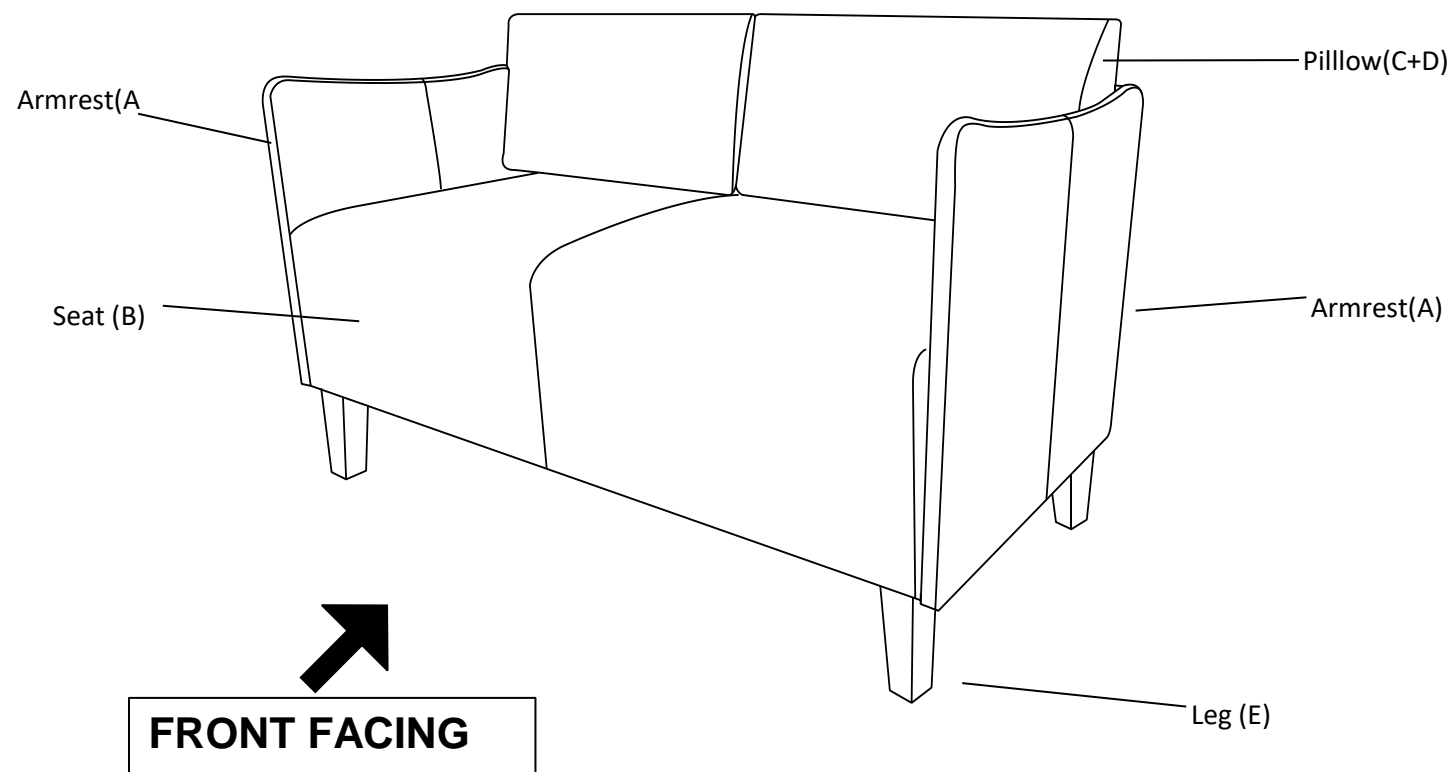
- Assemble on a clean non-marring surface (packing foam)-



- Save all packaging until finished-

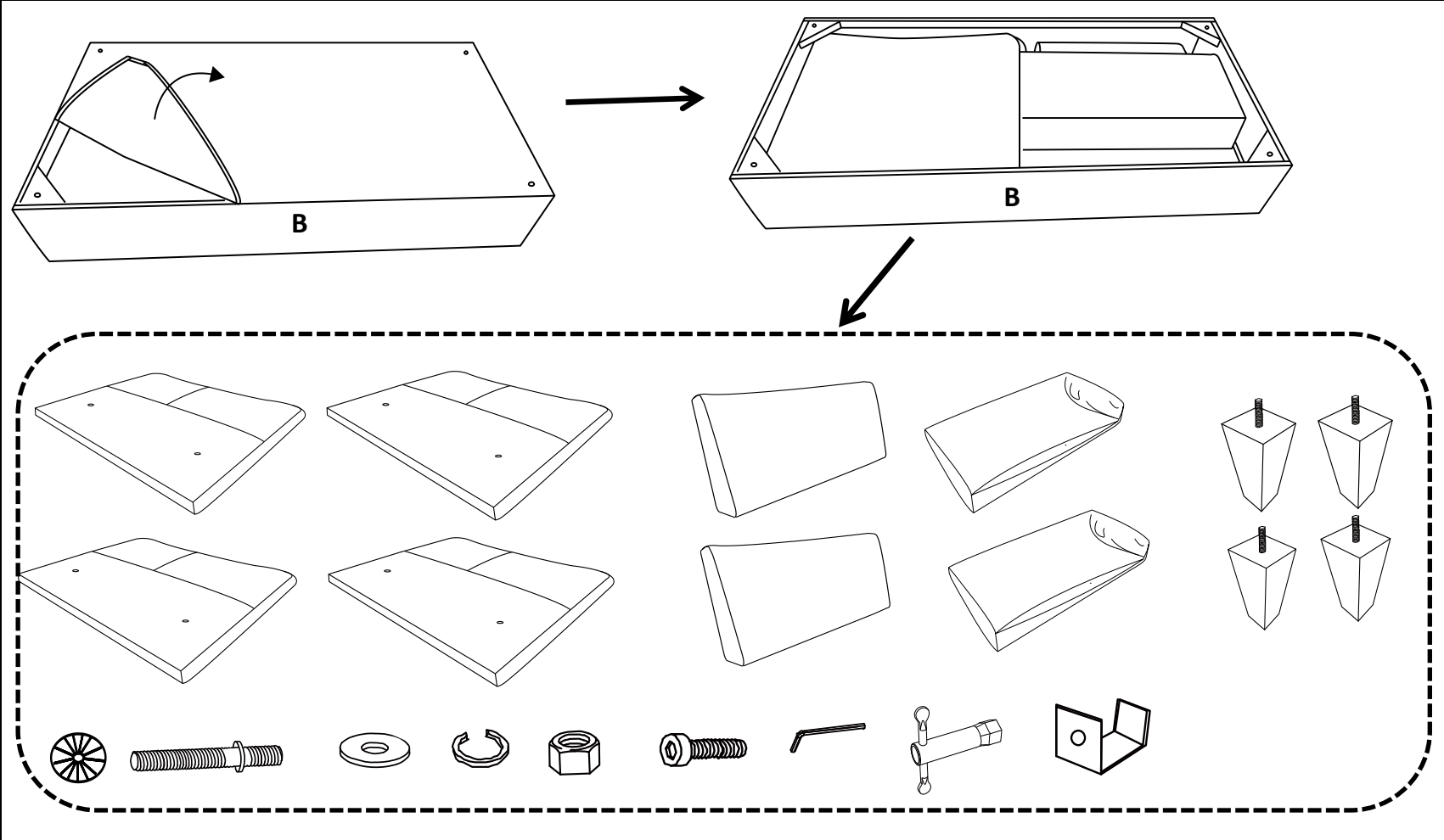
Assembly Steps

OVERVIEW



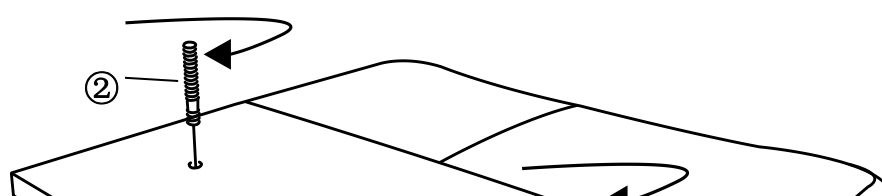
This Loveseat has multiple parts and may require up to 30 minutes to assemble. To give you an overview of the Loveseat parts, the above picture is to help you put the various Loveseat parts into perspective. Please read through the instructions to familiarise yourself with the parts and steps before assembly.

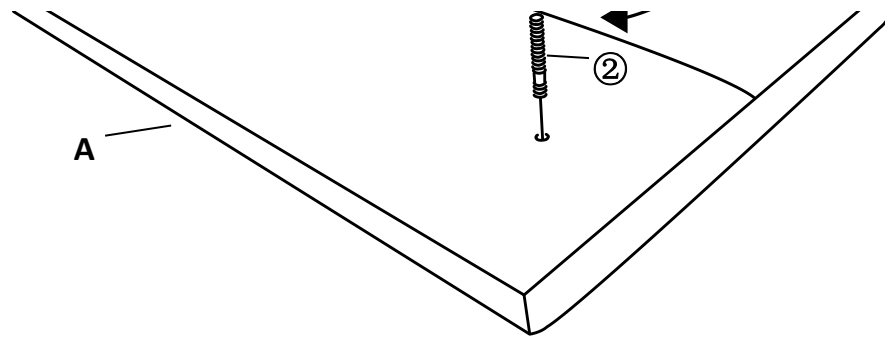
Step 1



Uncover the non-woven fabric and remove the Backrest & Armrest (A),Pillow(C),Pillow Cover (D) Legs (E), and Hardware(①,②,③,④,⑤,⑥,⑦,⑧,⑨) from bottom of Seat (B).

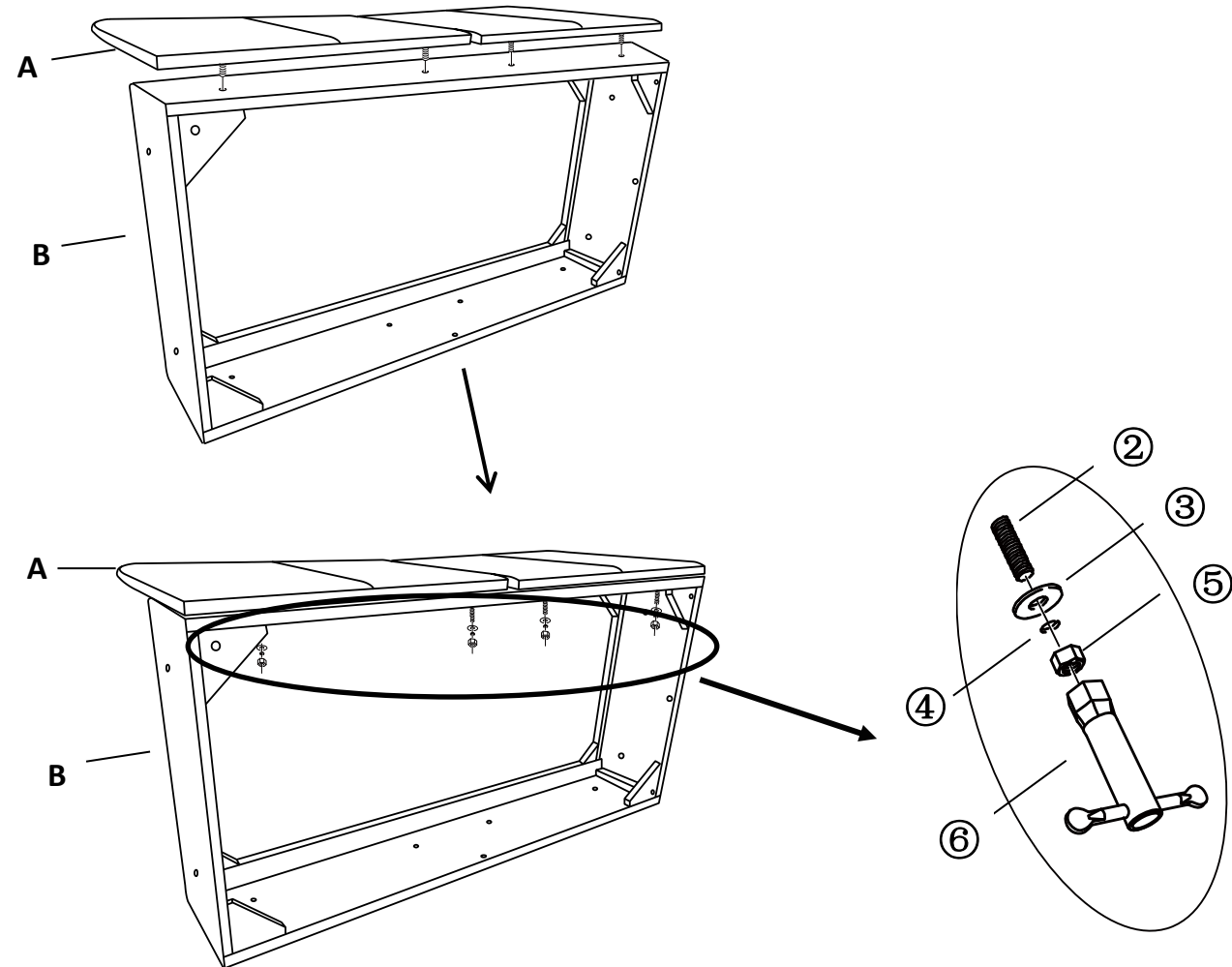
Step 2





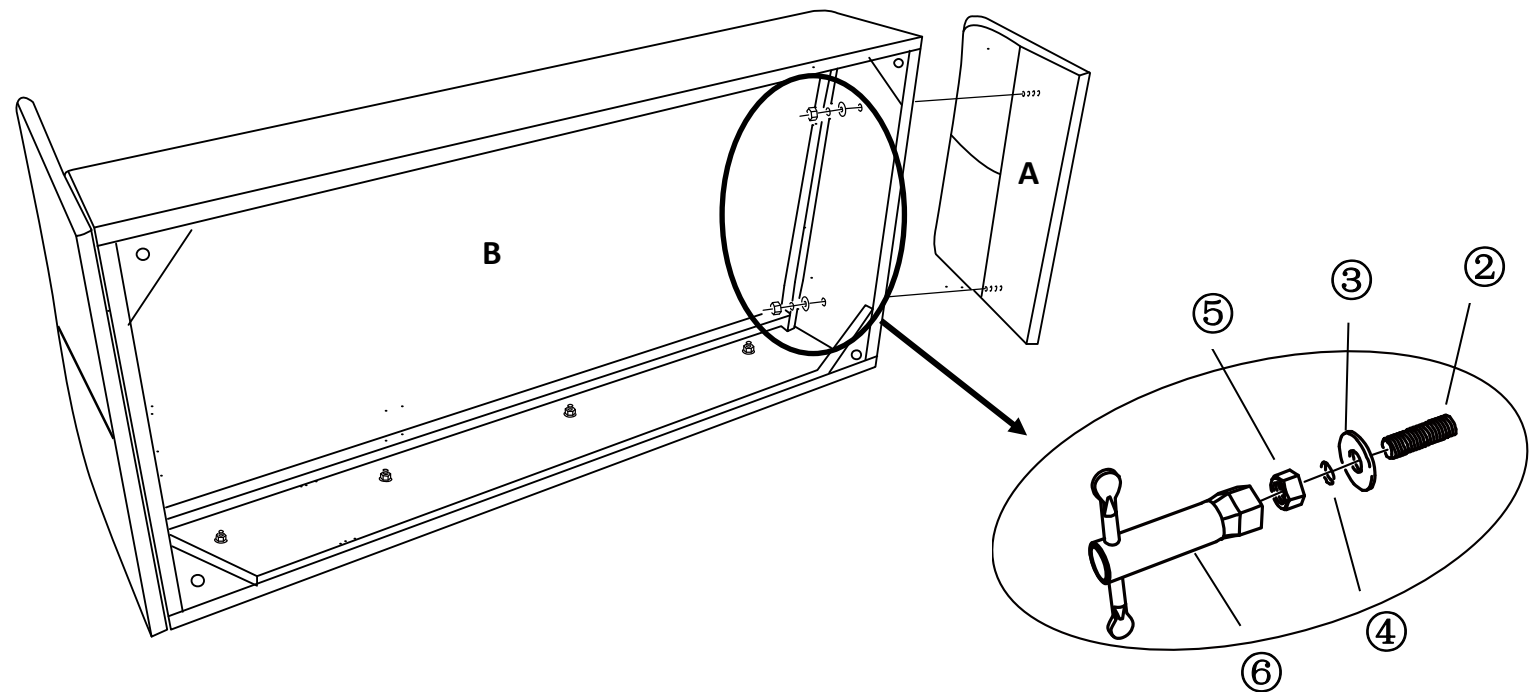
Screw-in Hanger Bolts(②) into Backrests(A) and Armrests(A), by hand, turning clockwise.

Step 3



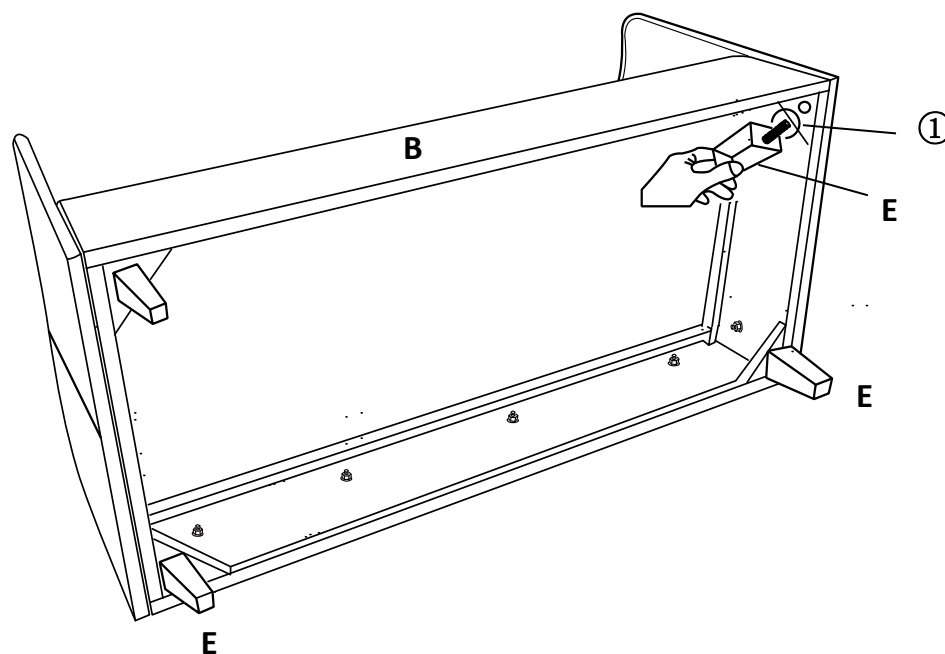
Lay the Seat(B) on a flat surface as shown in the picture.
 Insert the Bolts of the Backrests(A) into mounting positions of Seat(B).
 Attach Backrests(A) to Seat(B) using Bolts(②), Washers(③), Spring Washers(④) and Nuts(⑤), with
 Socket Wrench(⑥) as pictured above.
Do not fully tighten the Nuts.

Step 4



Lay the Seat(B) on a flat surface as shown in the picture.
Insert the Bolts of the Armrests(A) into mounting positions of Seat(B).
Attach Armrest(A) to Seat(B) using Bolts(2), Washers(3), Spring Washers(4) and Nuts(5), with Socket Wrench(6) as pictured above.
Tighten all Nuts at all joints in a sequential manner until fully secure.

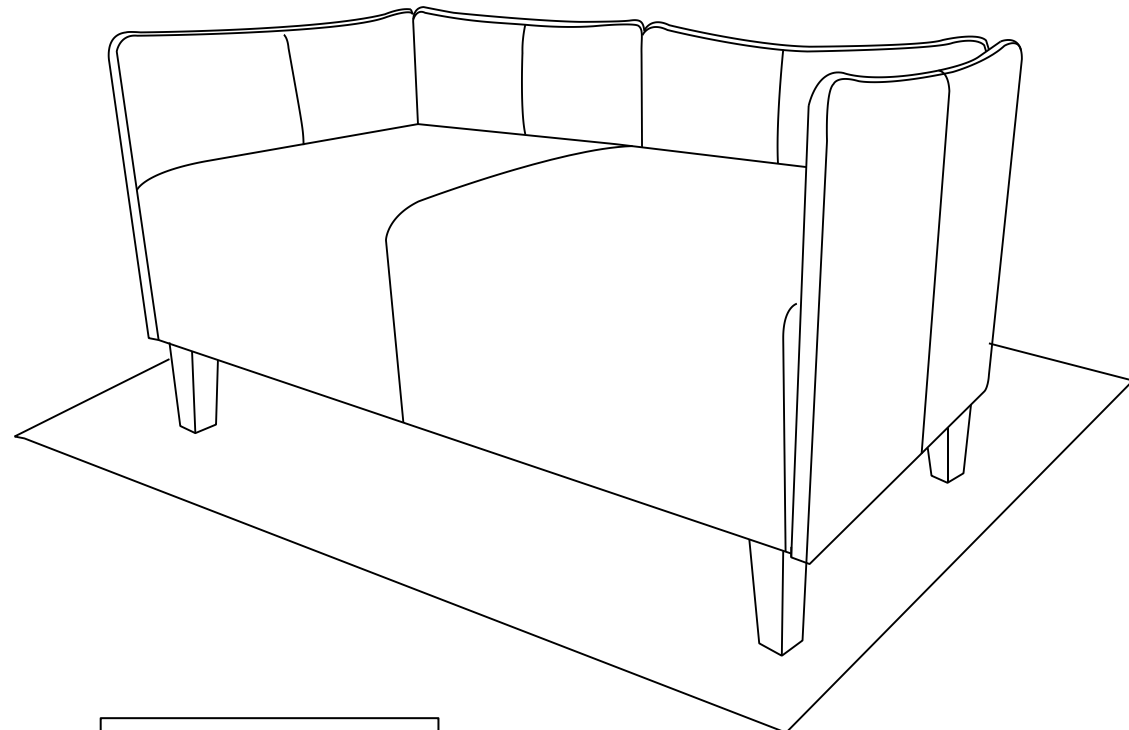
Step 5



Install the Legs(E) into the bottom of the Seat(B) by placing a Gasket(1) onto the threaded stem of the Legs.
And then insert the threaded stem into the threaded mounting position at each Corner of the Bottom of the Seat(B).
Tighten by turning the Legs clockwise.

Note: The use of Gaskets(1) are OPTIONAL and are especially useful to help alleviate slight wobbles. Some Legs may need more than one Gasket whilst some Legs may not need any.
Position Sofa right side up and test for stability on a Level Surface.
Add or remove Gaskets(1) where needed to achieve stability.

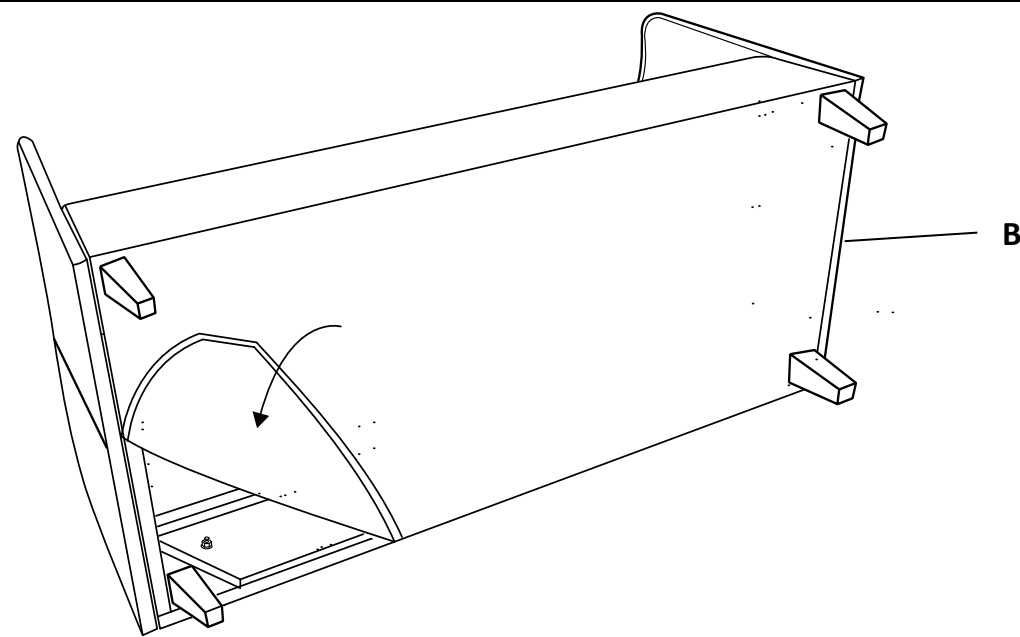
Step 6



Test for stability

Add or remove Gaskets(①) where needed to achieve stability
Note: The use of Gaskets(①) are OPTIONAL and is especially useful to help alleviate slight wobbleness. Some Legs may need more than one Washer Ring whilst some Legs may not need any. Position Loveset right side up and test for stability.

Step 7

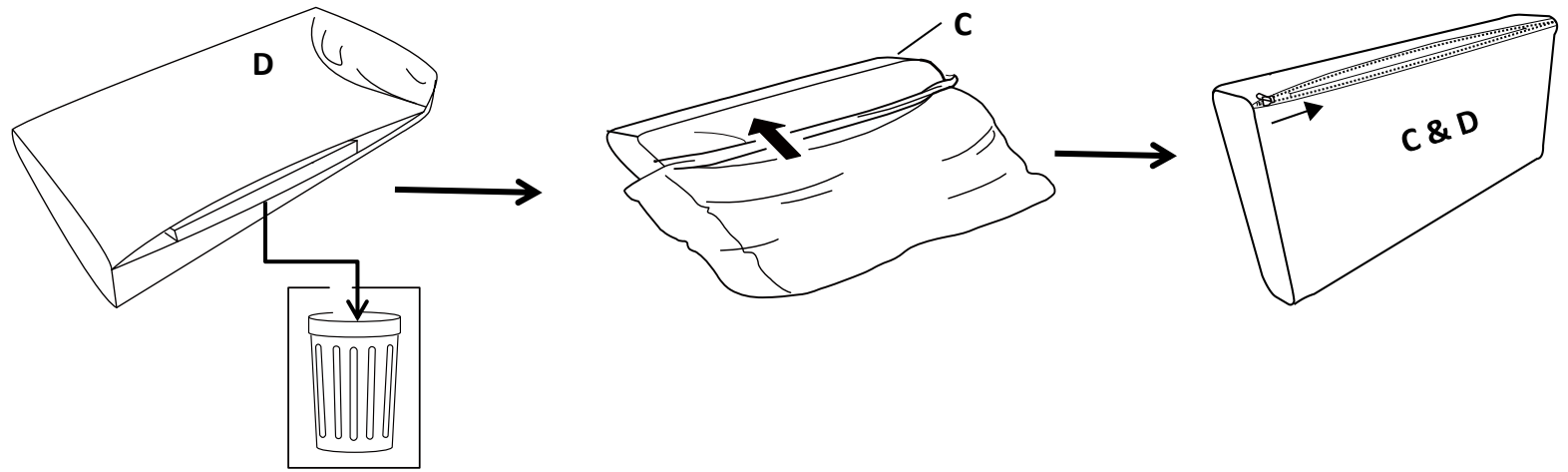


Cover the bottom of the Seat(B) with the non-woven fabric.
Smooth down the Magic Tape on all four sides of the Seat by hand.

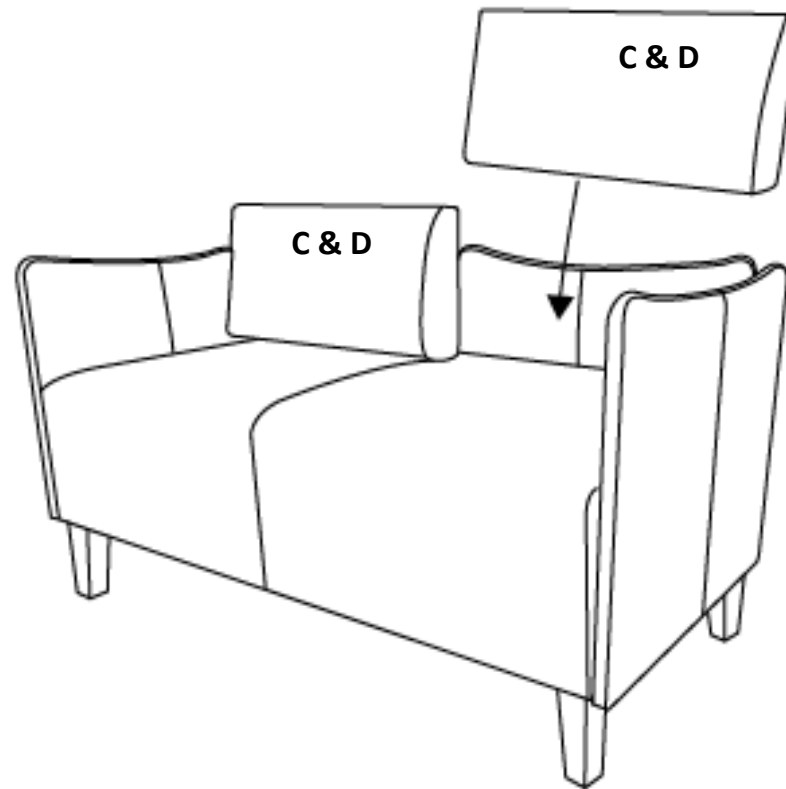
Step 8

Step 8.1

Step 8.1



Step 8.2

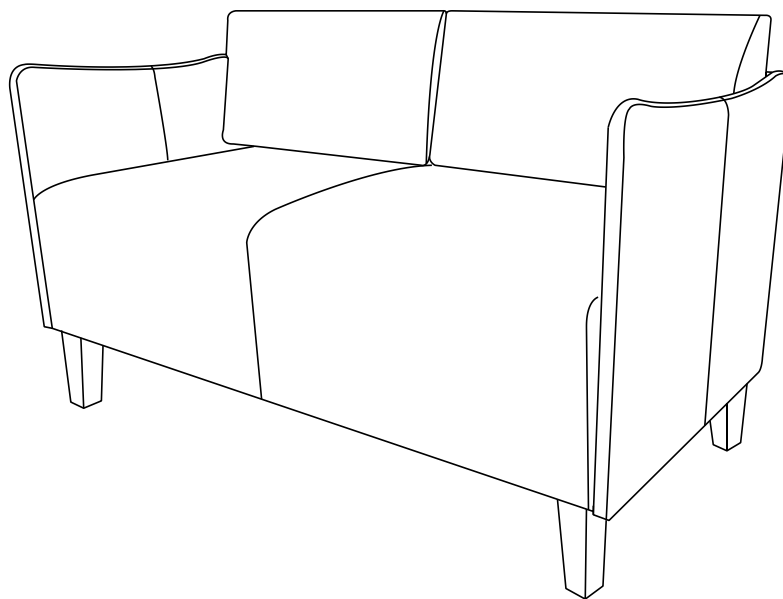


8.1) Remove the foam from inside the Pillow Cover(D), the foam is only to prevent wrinkles in the Pillow Cover, and can be discarded.

Put the Pillow(C) into Pillow Cover(D), then Zip-up the Pillow Cover(D).

8.2) Put the Pillows on the Loveseat(A).

Step 9



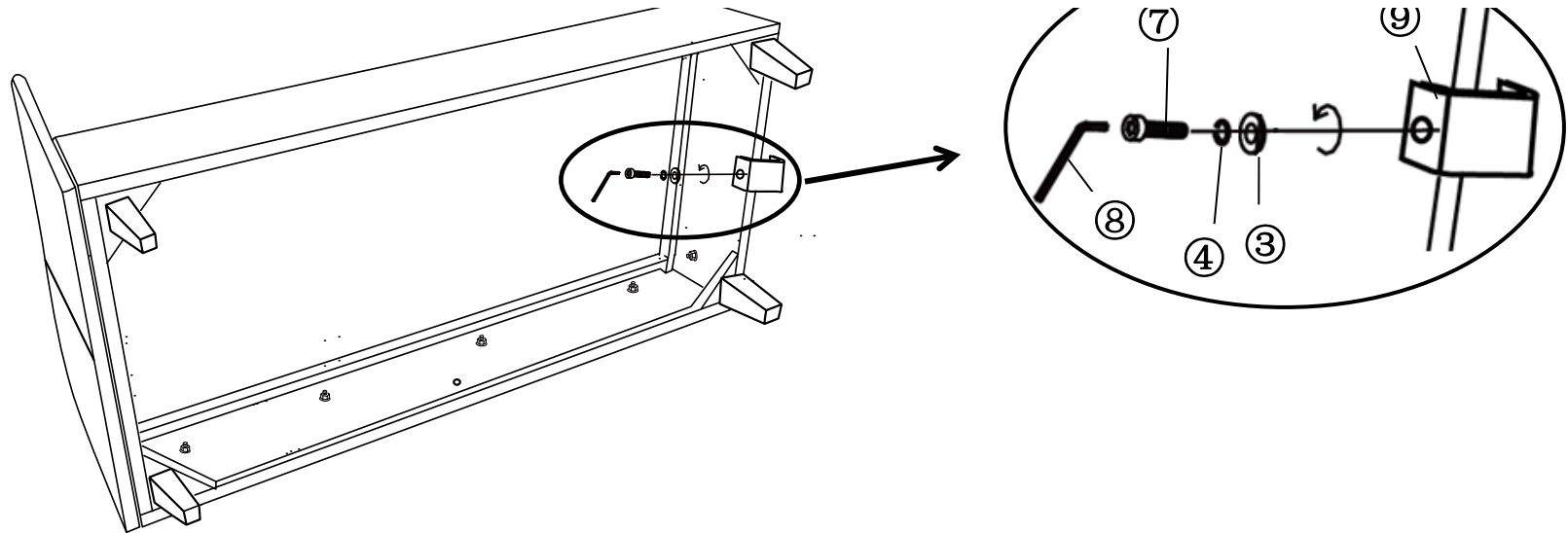
Your Loveseat is ready for use.

Caution: This Loveseat can only be used on a flat, level surface.

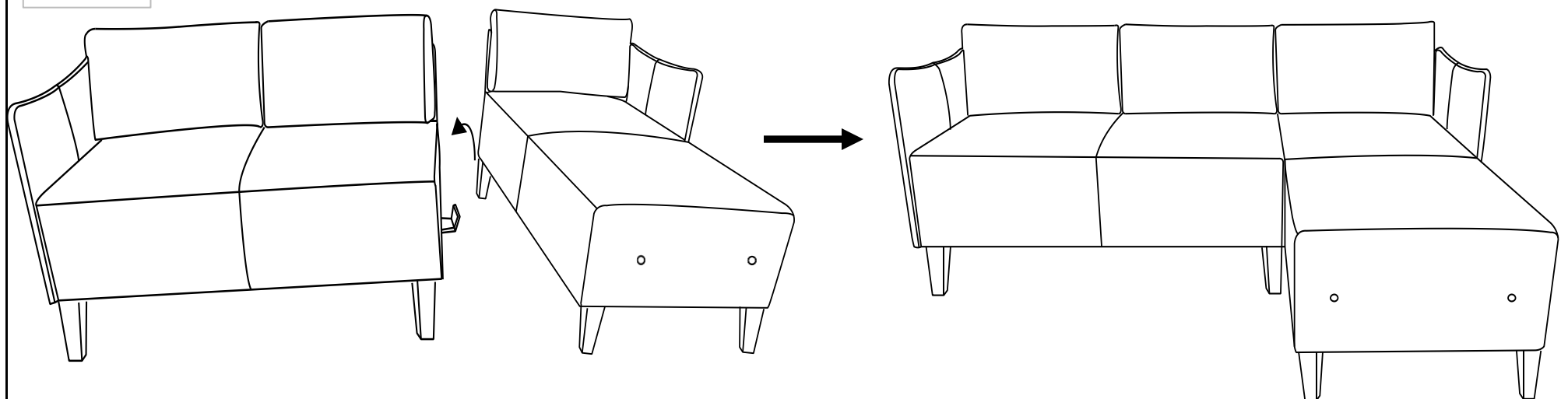
There is no need to use Connecting Piece(9) if you bought 1 Loveseat.

If you already purchased 2 lovesets, Please read on

Step 1.1



Step 1.2



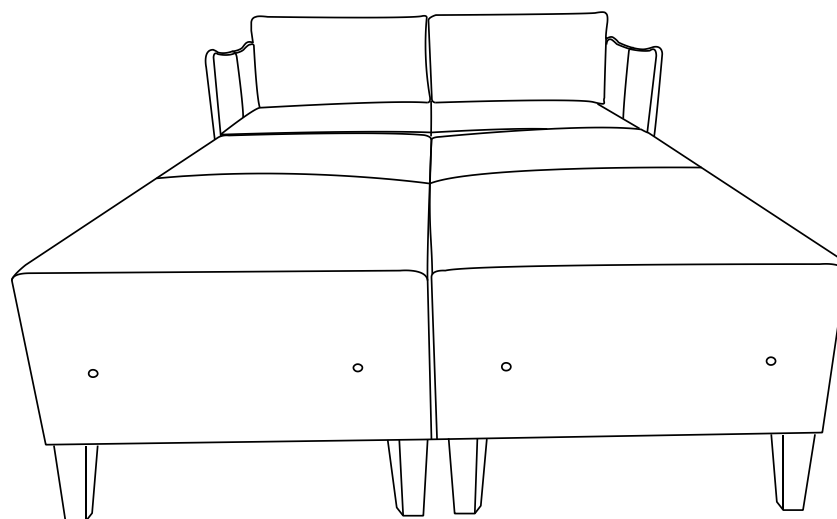
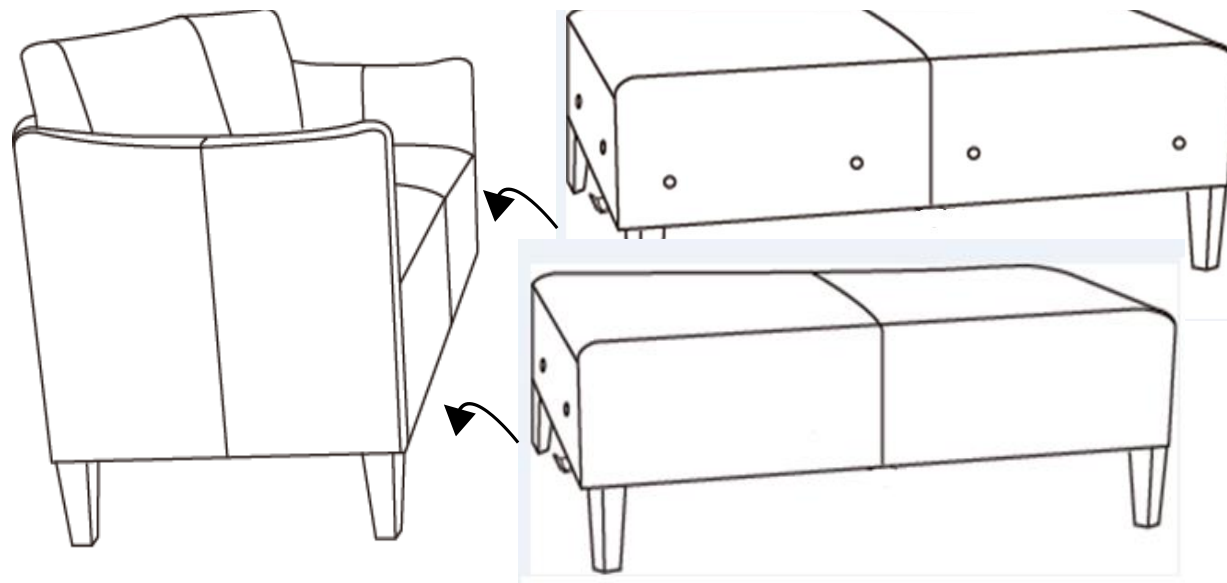
This Loveseat can also be used as shown in the Picture. (If you purchase a pair of Loveseats)
Position the two Loveseats together in line as shown.

Attach the Connecting Piece(9) to connect the two Loveseats together using Bolts(7), Spring Washers(4), and Washers(3) with Allen Key(8) as shown in the picture.

Bolts should be fully installed first, and then tightened securely in an even, sequential manner.

If you already purchased 3 lovesets, Please read on

Step 1



FRONT FACING





















This Loveseat can also be used as shown in the Picture. (If you purchase 3 pieces of Loveseats)
Position the 3 Loveseats together as shown.

Attach the Connecting Piece(⑨) to connect the two Loveseats together using Bolts(⑦), Spring Washers(④), and Washers(③) with Allen Key(⑧) as shown in the picture.

Bolts should be fully installed first, and then tightened securely in an even, sequential manner.

The Armrests and Backrests of this product are all the same shape, which makes it possible for you to configure the Loveseat as desired, and to match the environment of your home.

Care & Maintenance

-   ● Do not put hot items directly on furniture surface
 -   ● Do not clean furniture with harsh cleansers or polish.
 -   ● Do not place furniture under direct sunlight.
 -   ● Do not place furniture near heating or cooling vents.
 -   ● Do not write on furniture without a padded barrier to protect the surface.
 -   ● Do not place furniture outside . For indoor use only .
 -   ● Not for commercial use. For residential use only .
 -   ● Stains may be removed with mild soap solution and damp cloth.
 -   ● Children should not climb or jump on the furniture.
-
-   ● Dust and pick-up spills using a clean, non-colored, lint-free cloth .

What is Proposition 65?

Proposition 65 is a California law that requires warning labels on products that may contain one of more than 800-plus chemicals or ingredients that the California Office of Environmental Health Hazard Assessment (OEHHA) has deemed to cause cancer or other reproductive toxicity.

Chemicals and elements on this list include wood dust, brass, and other everyday substances, which can be found in very common household items, such as: lamps, tableware, jewelry, crystal glasses, electric cords, beauty products, automobiles, and furniture.

Why Did I Find a Proposition 65 Warning on My Home Goods Product?

We include Proposition 65 warnings on all of our products because there is always a chance that one of the 800-plus common chemicals and ingredients listed under this law could potentially be on our furniture or packing materials. We risk large fines under this law, if we don't include this warning.

Should I worry?

Should I worry?

We realize you may be worried finding this warning on our products, but we want to reassure you that the hazardous exposure limits for any of these chemicals have never been found on furniture products that we've shipped to our customers. Additionally, this warning label is very common and can be found on almost every piece of furniture sold in the state of California.

Just How Common Are Proposition 65 Warnings?

Proposition 65 warnings have become so common in California that it is hard to take a trip to a local bank, grocery store, or restaurant without finding at least one warning. In fact, even the Disneyland Resort has a Proposition 65 warning:

