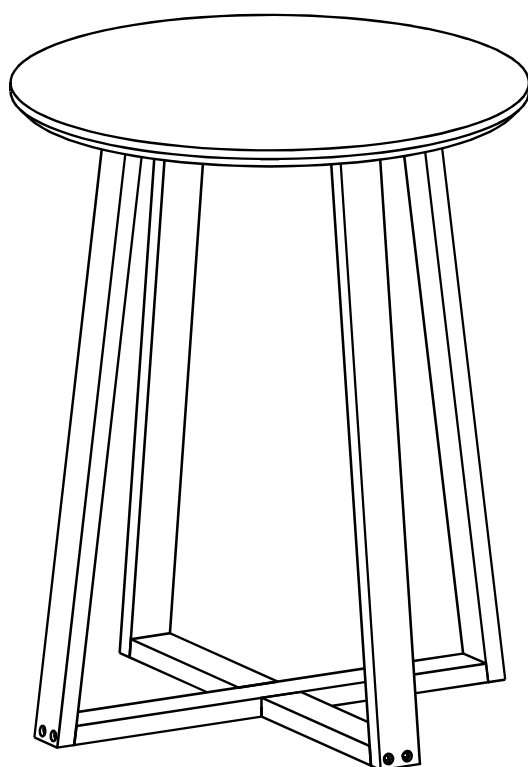


ASSEMBLY INSTRUCTIONS



PARTS LIST

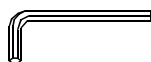
Ax4



Bx16



Cx1



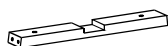
Dx4



①x1



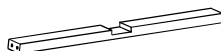
②x1



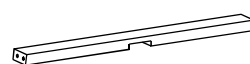
③x1



④x1



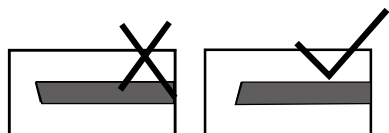
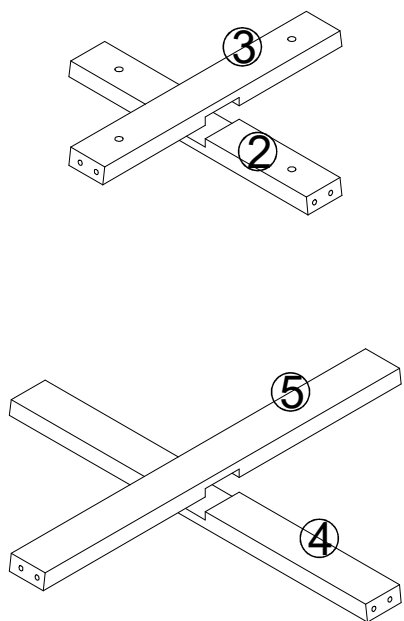
⑤x1



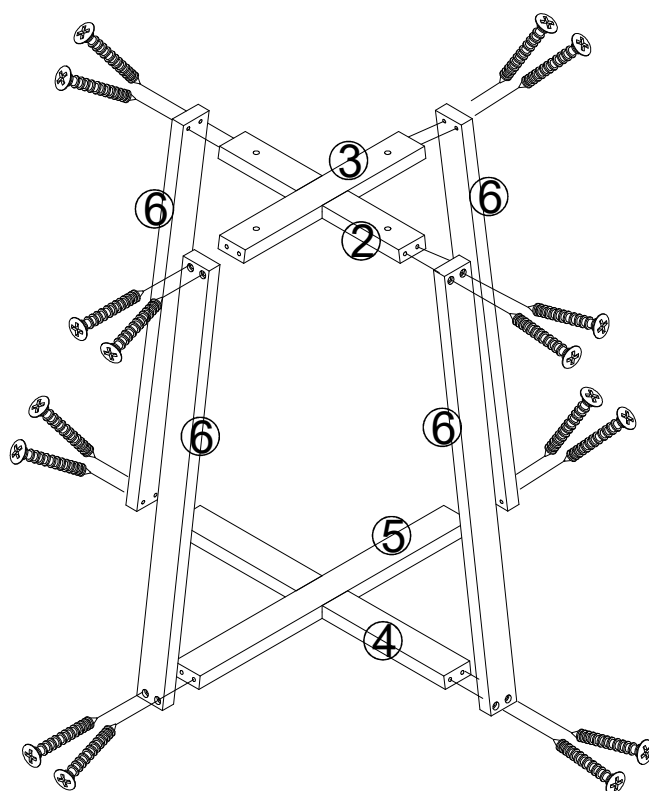
⑥x4



STEP 1

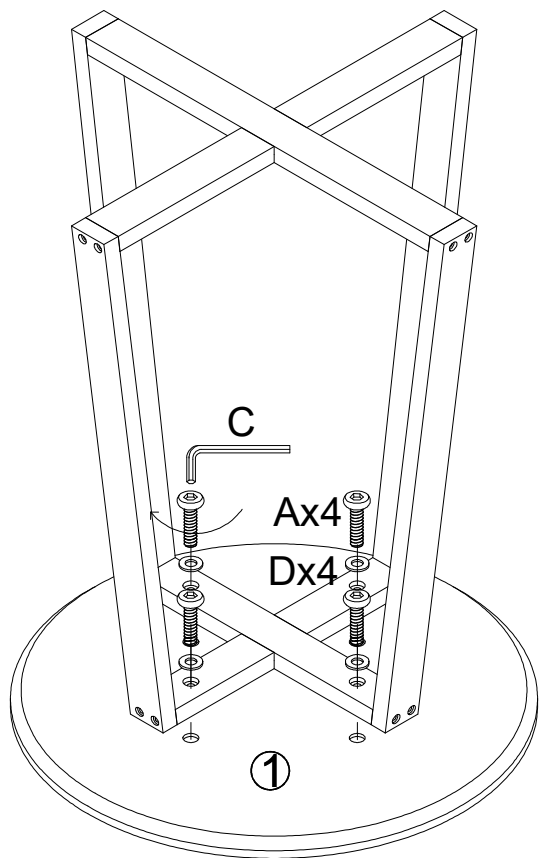


STEP 2



Bx16

STEP 3



STEP 4

