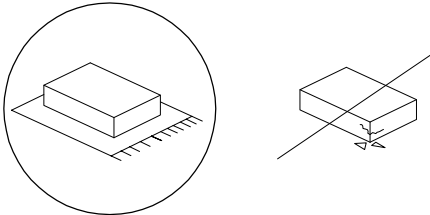
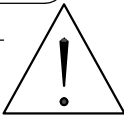
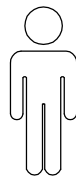
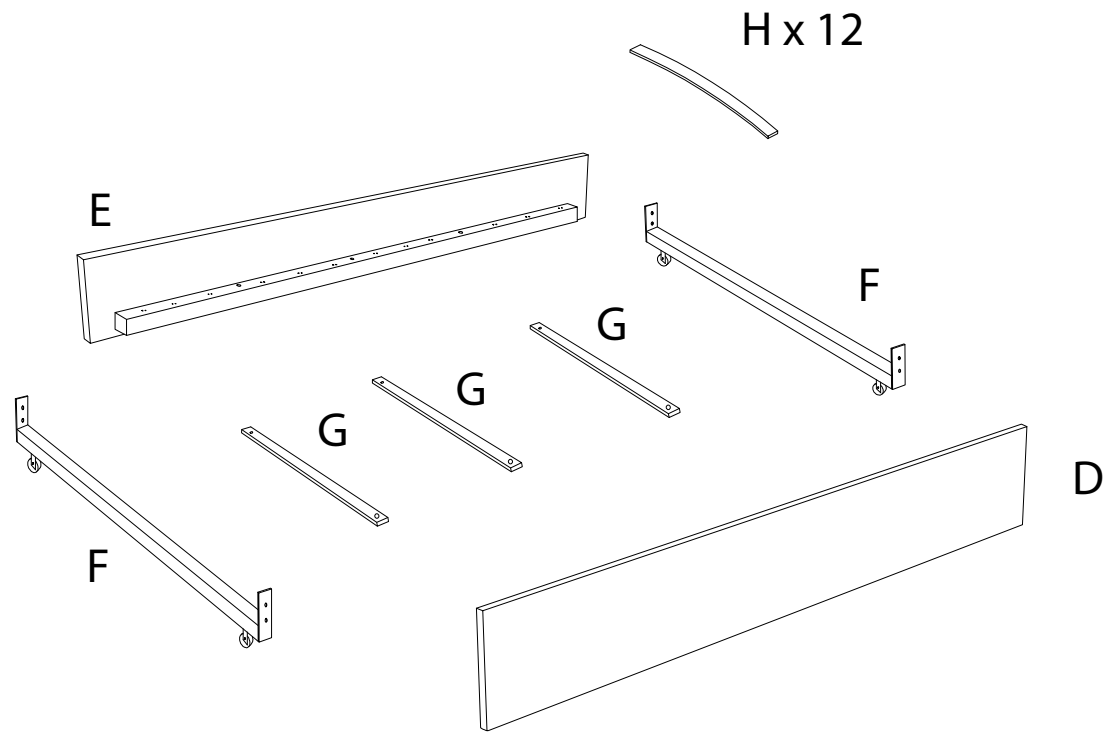
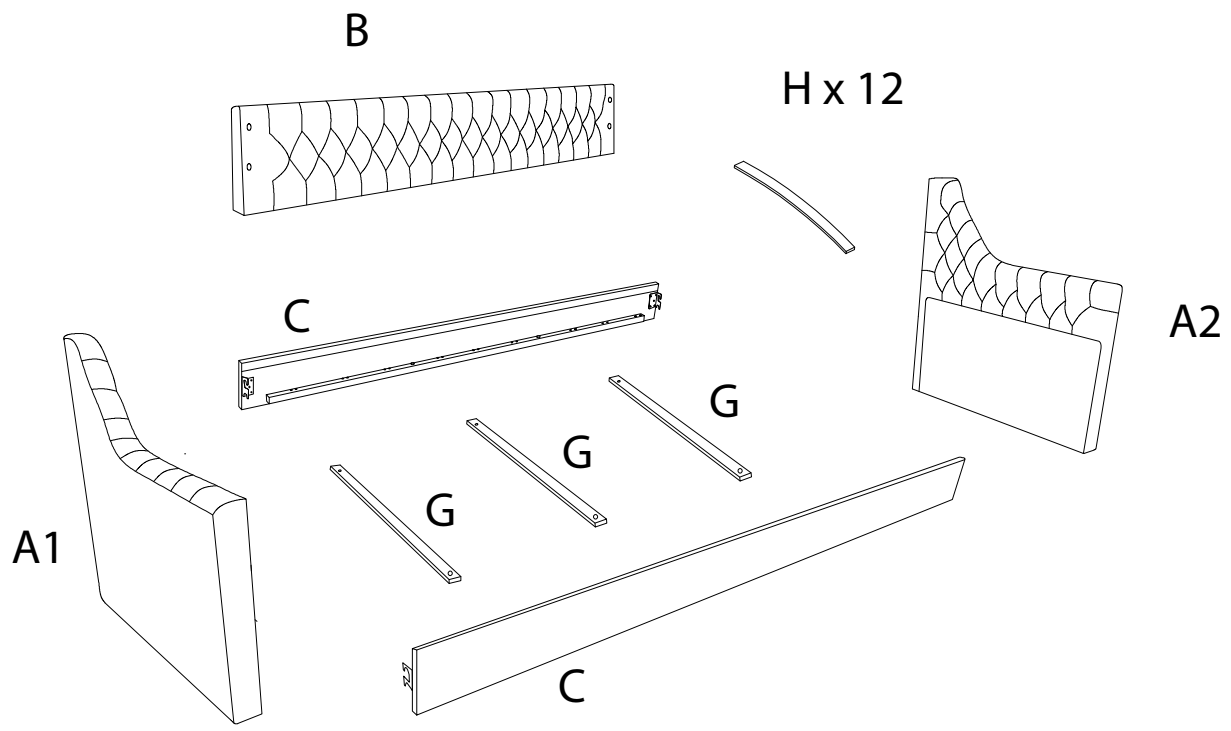
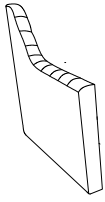

		<b>40'</b>
		
		<b>2</b>

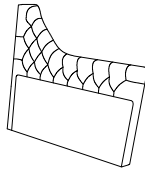


A1



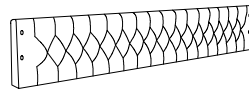
x 1

A2



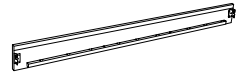
x 1

B



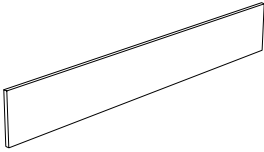
x 1

C



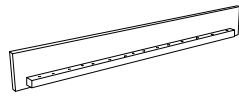
x 2

D



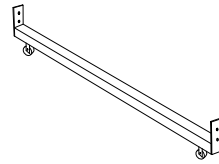
x 1

E



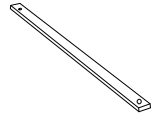
x 1

F



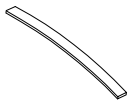
x 2

G



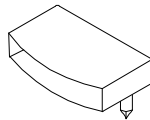
x 6

H



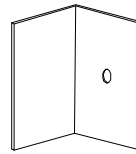
x 24

I



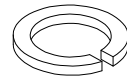
x 48

J



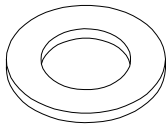
x 2

K



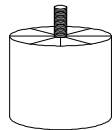
x 32

L



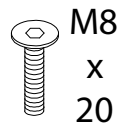
x 32

M



x 4

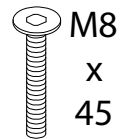
N



M8  
x  
20

x 18

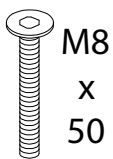
O



M8  
x  
45

x 12

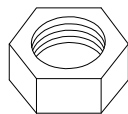
P



M8  
x  
50

x 4

Q



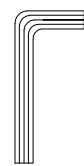
x 12

R



x 1

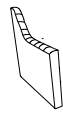
S



x 1

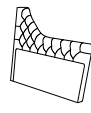
1

A1



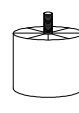
x1

A2

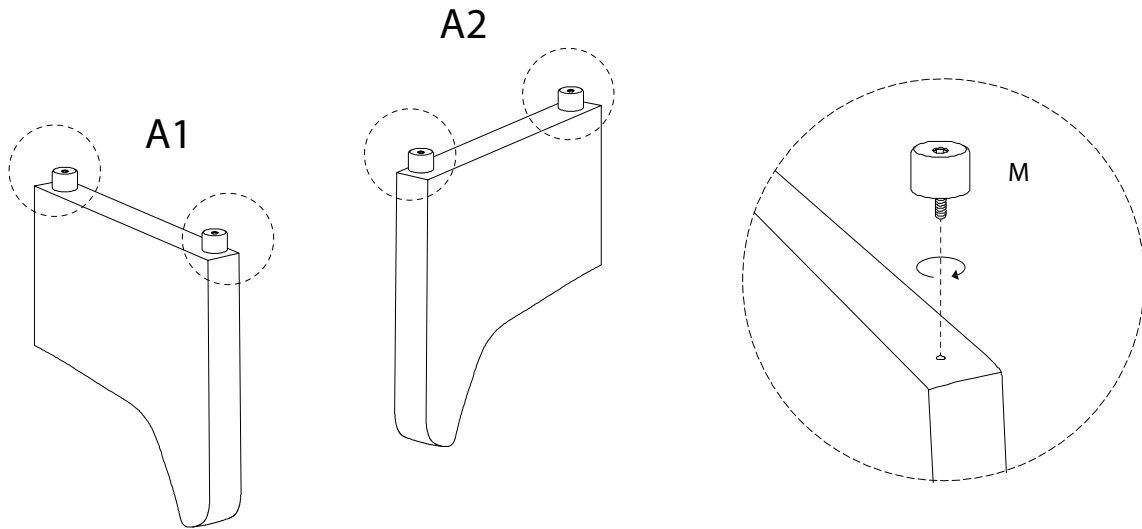


x1

M



x4



2

C



x2

K



x8

L



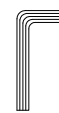
x8

N

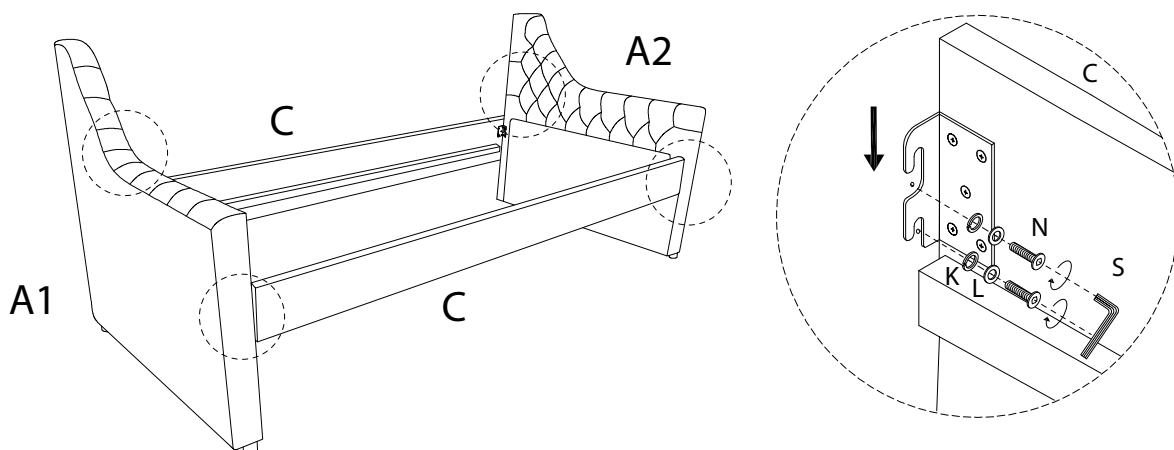


x8


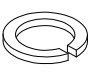
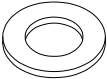
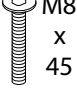
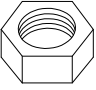


S

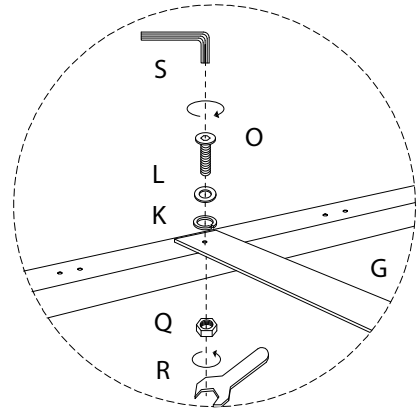
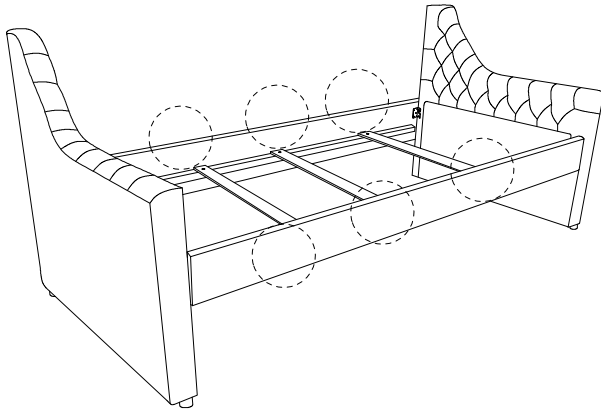


x1


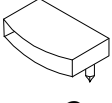


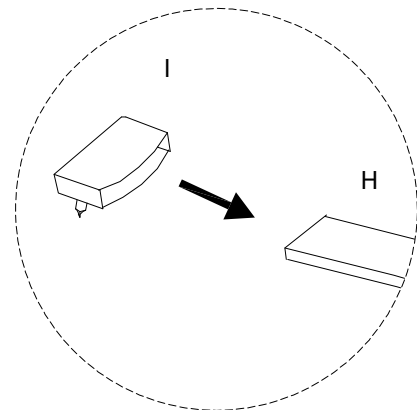
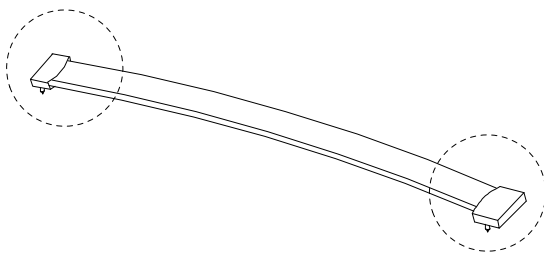
3

<b>G</b>  x3	<b>K</b>  x6	<b>L</b>  x6	<b>O</b>  x6	<b>Q</b>  x6	<b>R</b>  x1	<b>S</b>  x1
-----------------------------------------------------------------------------------------------------	-----------------------------------------------------------------------------------------------------	-----------------------------------------------------------------------------------------------------	-----------------------------------------------------------------------------------------------------	------------------------------------------------------------------------------------------------------	-------------------------------------------------------------------------------------------------------	-------------------------------------------------------------------------------------------------------

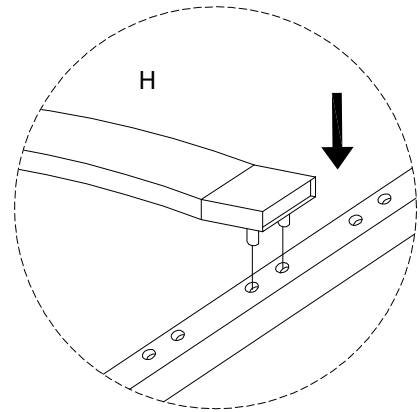
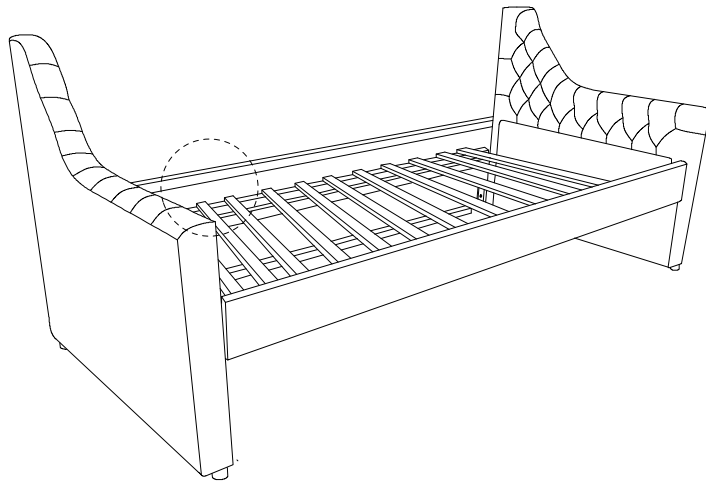


4 x 24

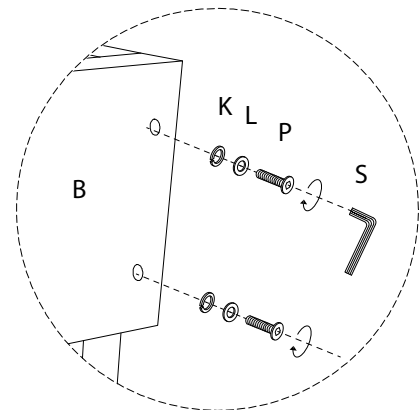
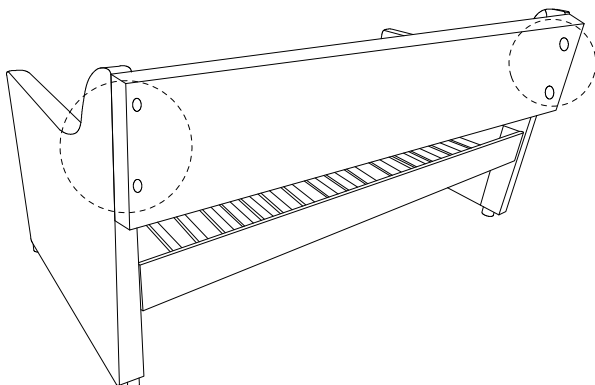
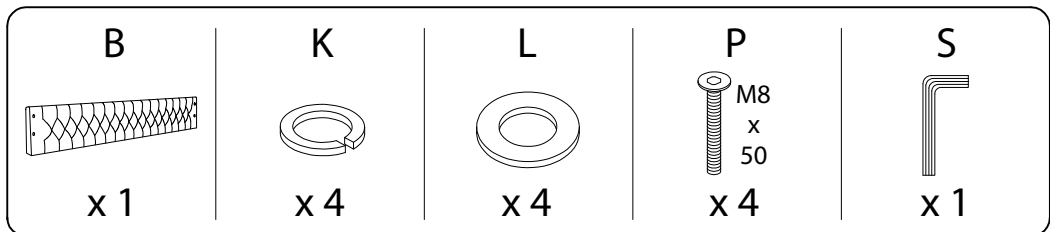
<b>H</b>  x1	<b>I</b>  x2
-------------------------------------------------------------------------------------------------------	---------------------------------------------------------------------------------------------------------





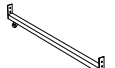
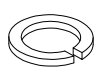


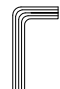
5 x 12

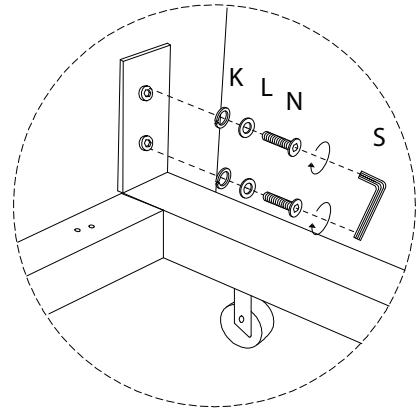
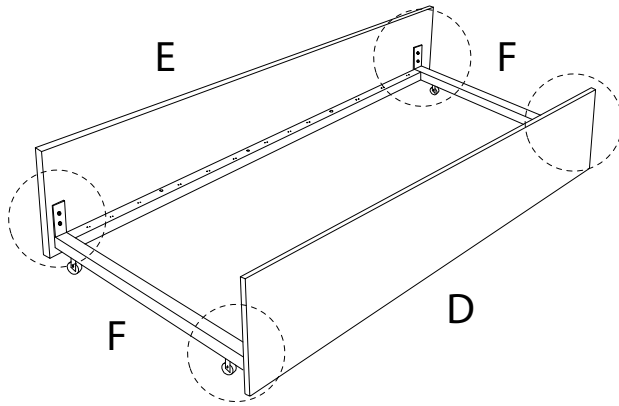


6


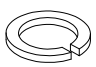




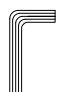


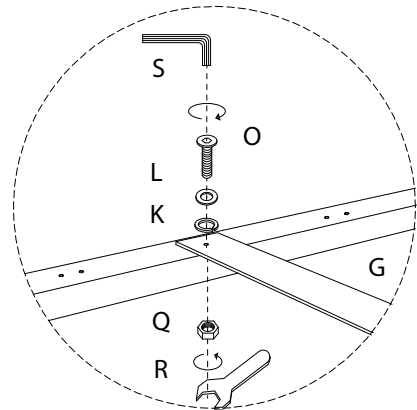
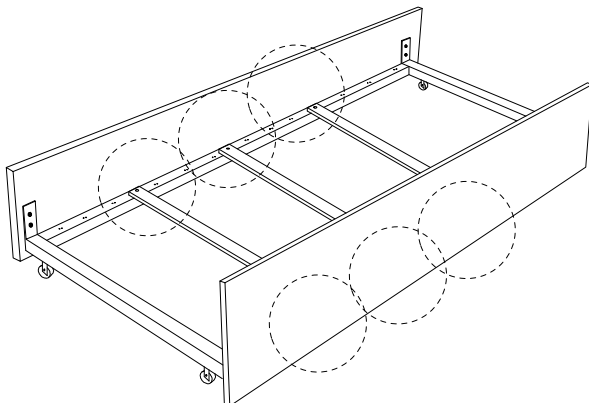
7

D	E	F	K	L	N	S
						
x1	x1	x2	x8	x8	x8	x1

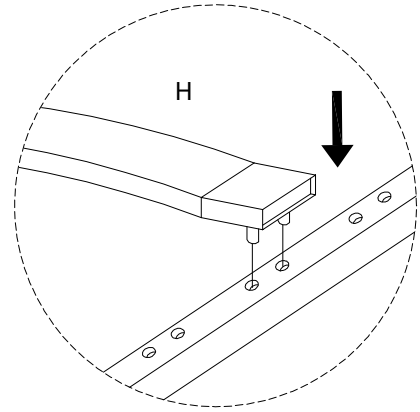
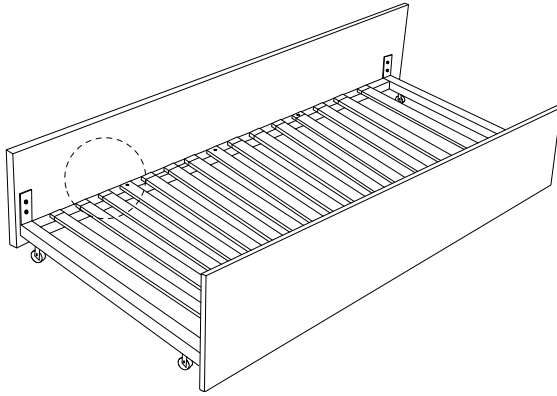


8

G	K	L	O	Q	R	S
						
x3	x6	x6	x6	x6	x1	x1



9 x 12



10

J



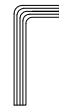
x 2

N

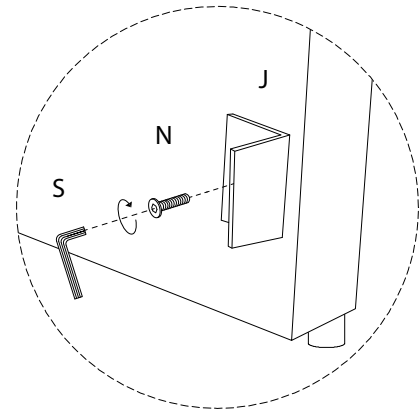
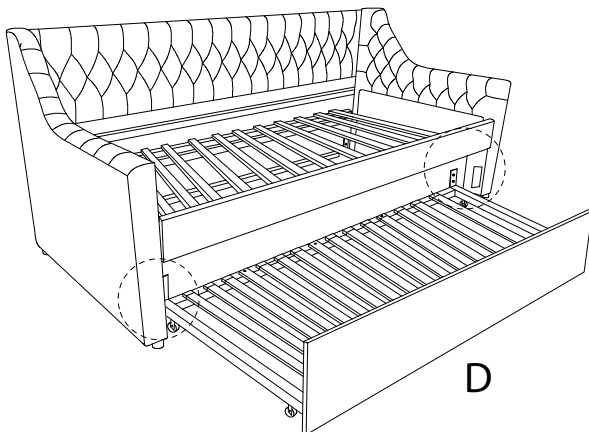


x 2

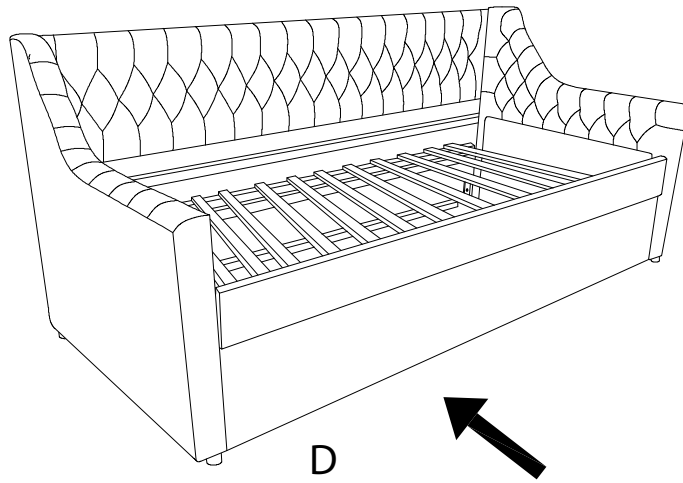
S



x 1



11



12

