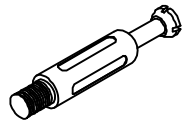


**A**



91PCS

**B**

Ø15\*12



71PCS

**C**

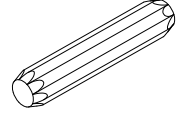
Ø15\*9.5



20PCS

**D**

8\*40



30PCS

**E**

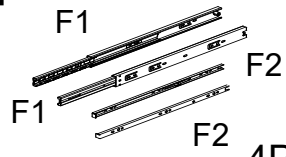
Ø3.5\*12



68PCS

**F**

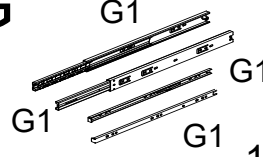
300mm



4PCS

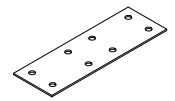
**G**

400mm



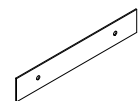
1PCS

**H**



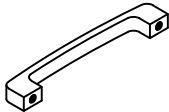
2PCS

**I**



6PCS

**J**



6PCS

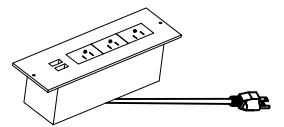
**K**

M4\*21



12PCS

**M**



1PCS

**N**

Ø3.5\*30



28PCS

**O**



16PCS

**P**



4PCS

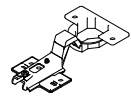
**S**

Ø3\*12



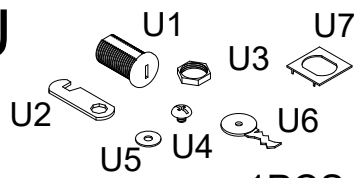
16PCS

**T**



2PCS

**U**

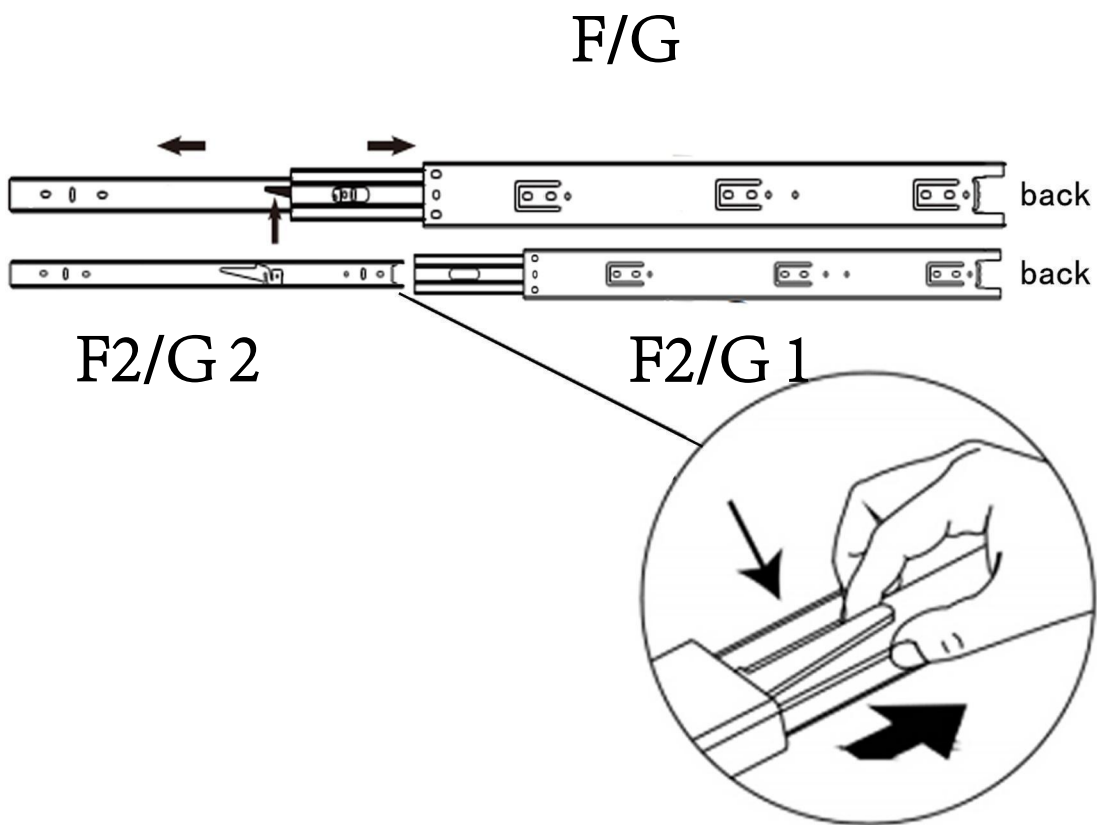


1PCS

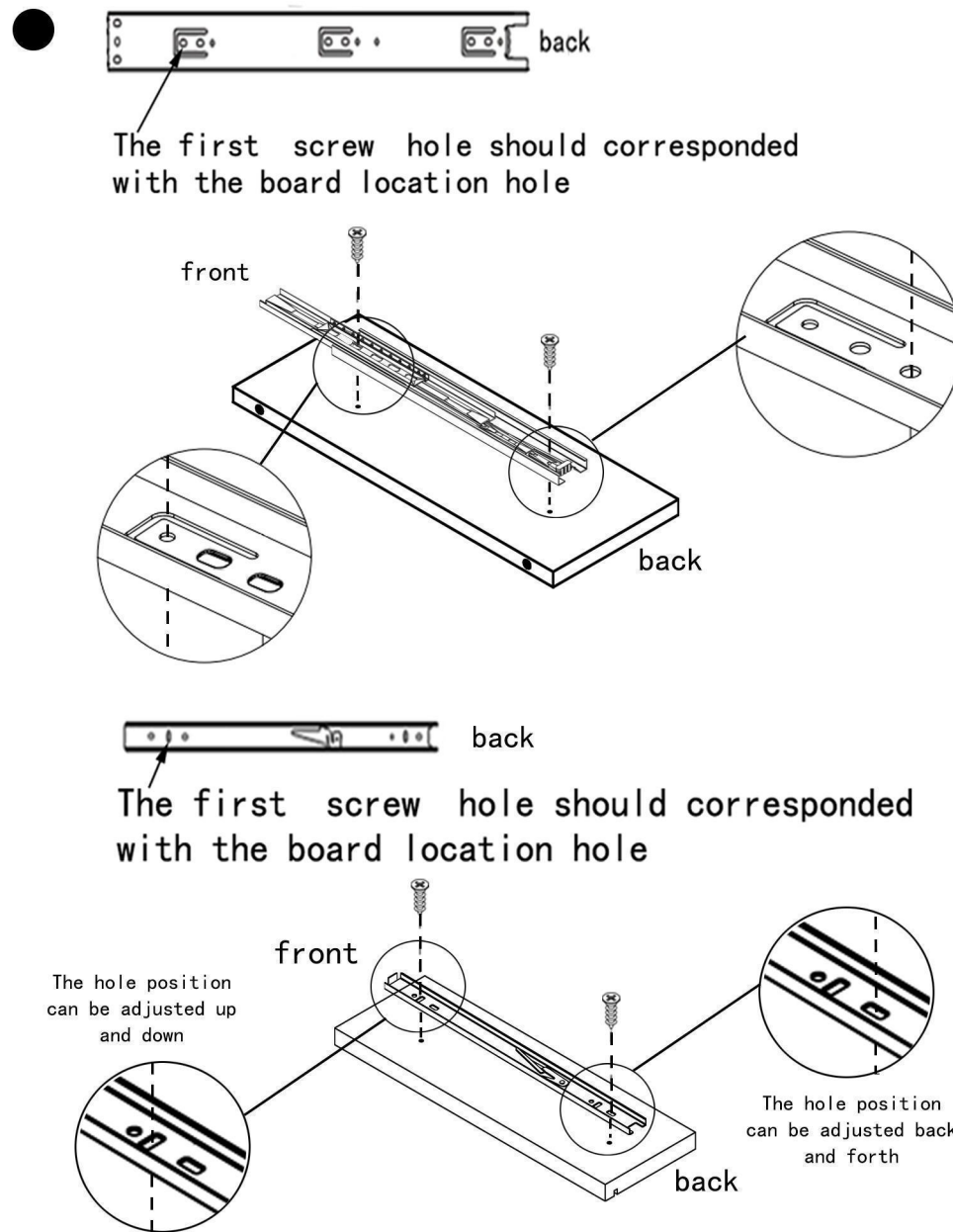


# Hardware installation demonstration

- Before installing the drawer rail, you need to separate the F/F1 and F/F2 first. you need to separate the G/G1 and G/G2 first.



Warm Reminder: Press it and split

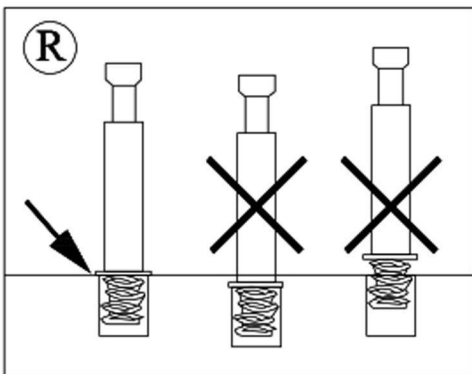
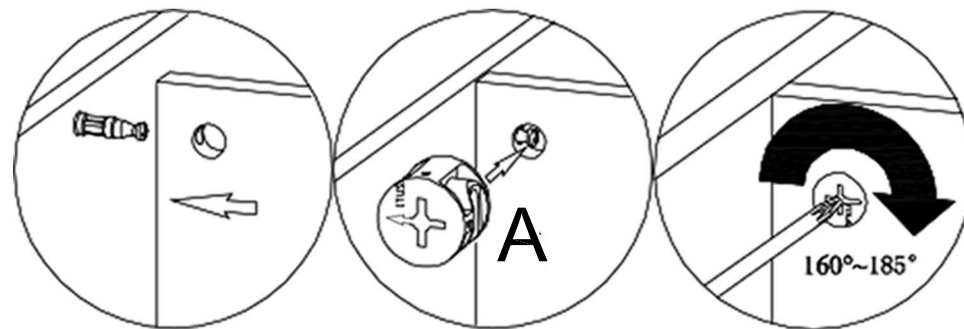
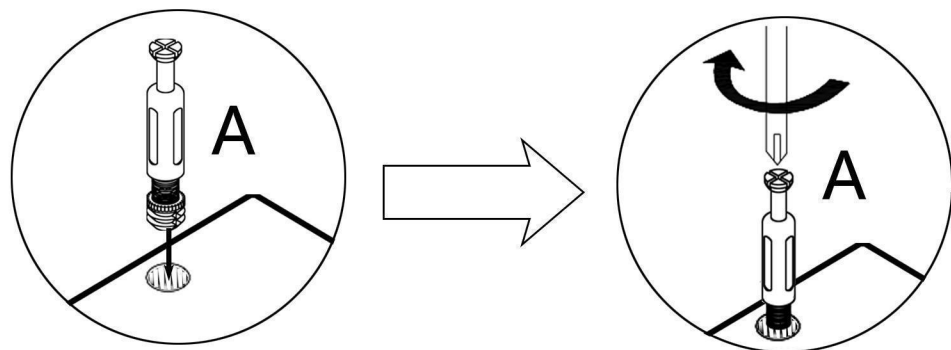




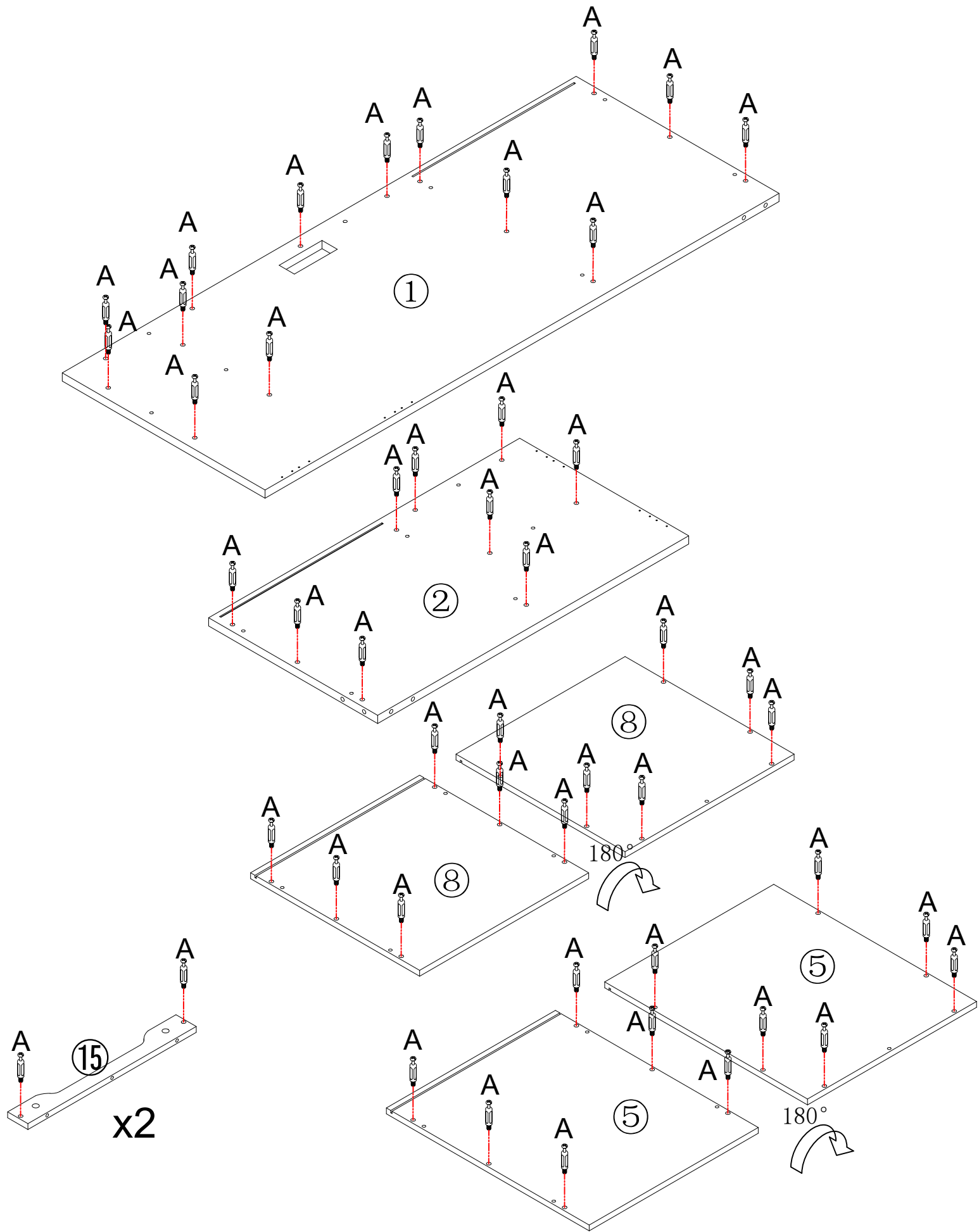
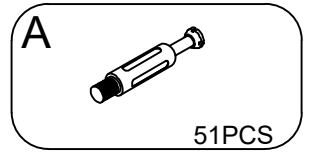
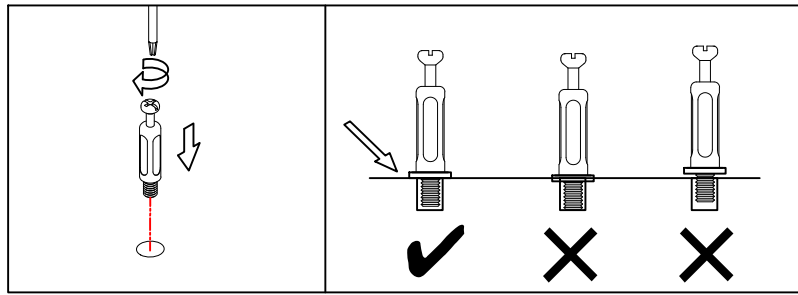
# Hardware installation demonstration

● Please make sure "A" hardware tightened and can't be pulled out

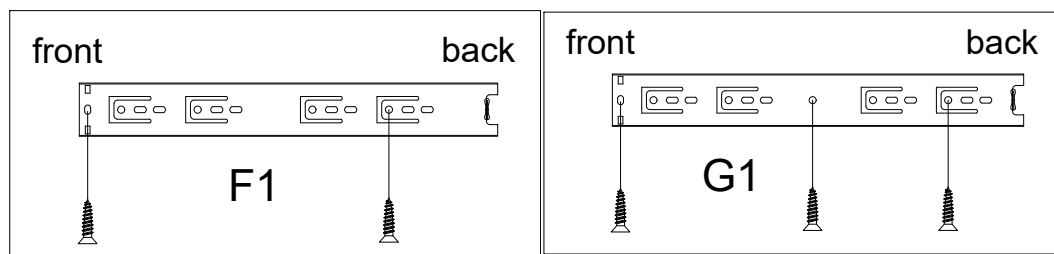
● When inserting cam ensure arrowhead on cam points toward to the hole on the panel edge







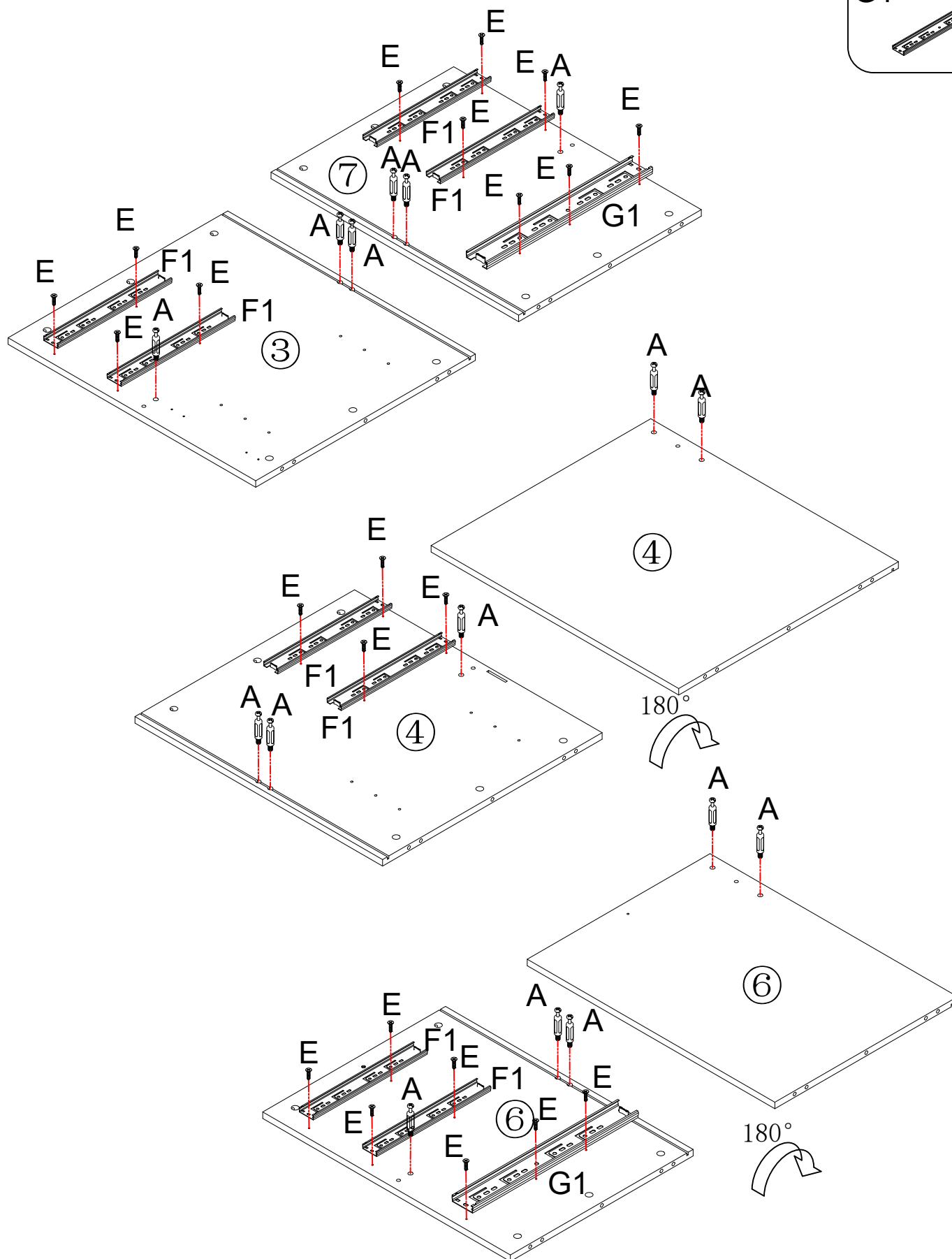
# STEP 1



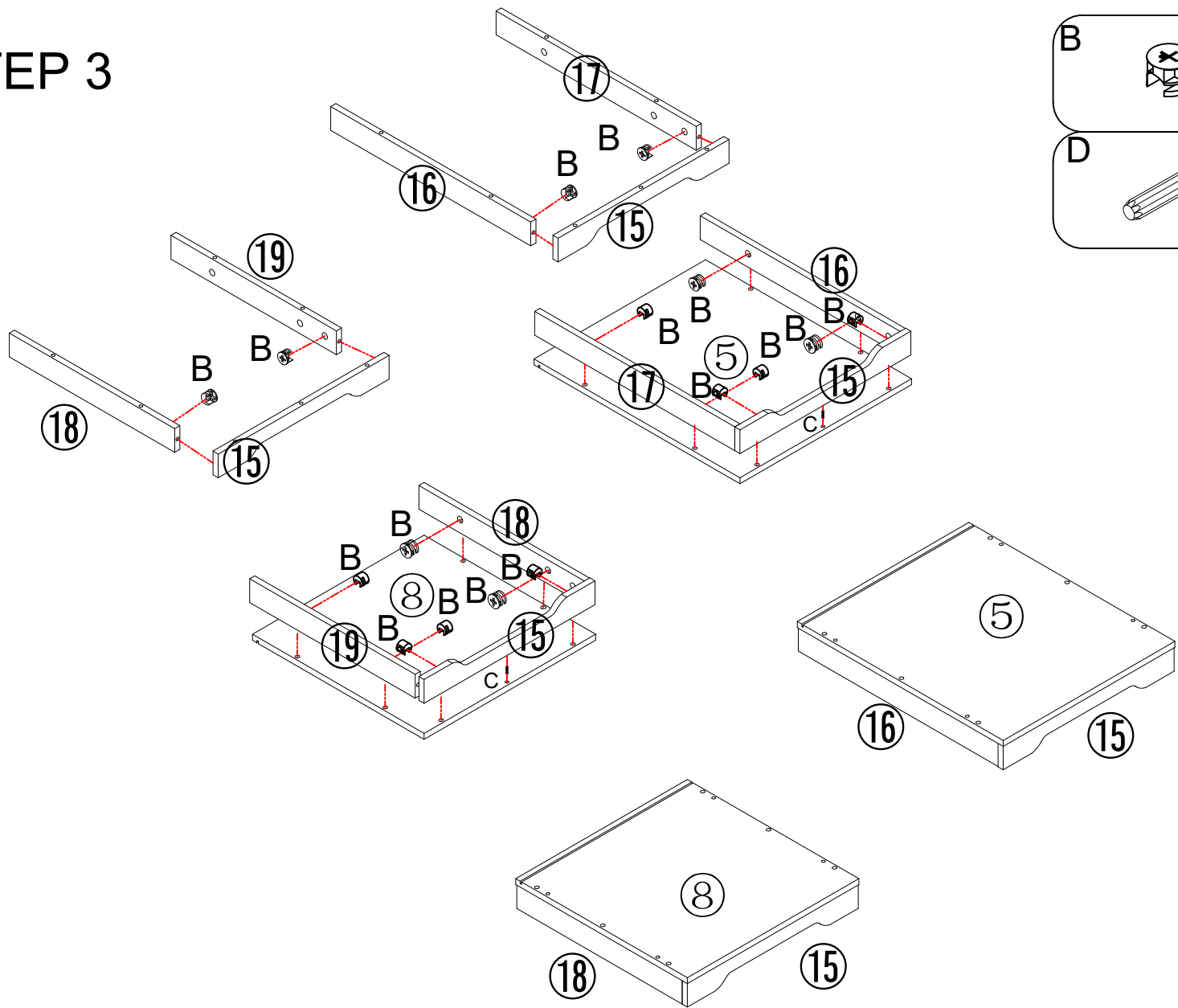
# STEP 2



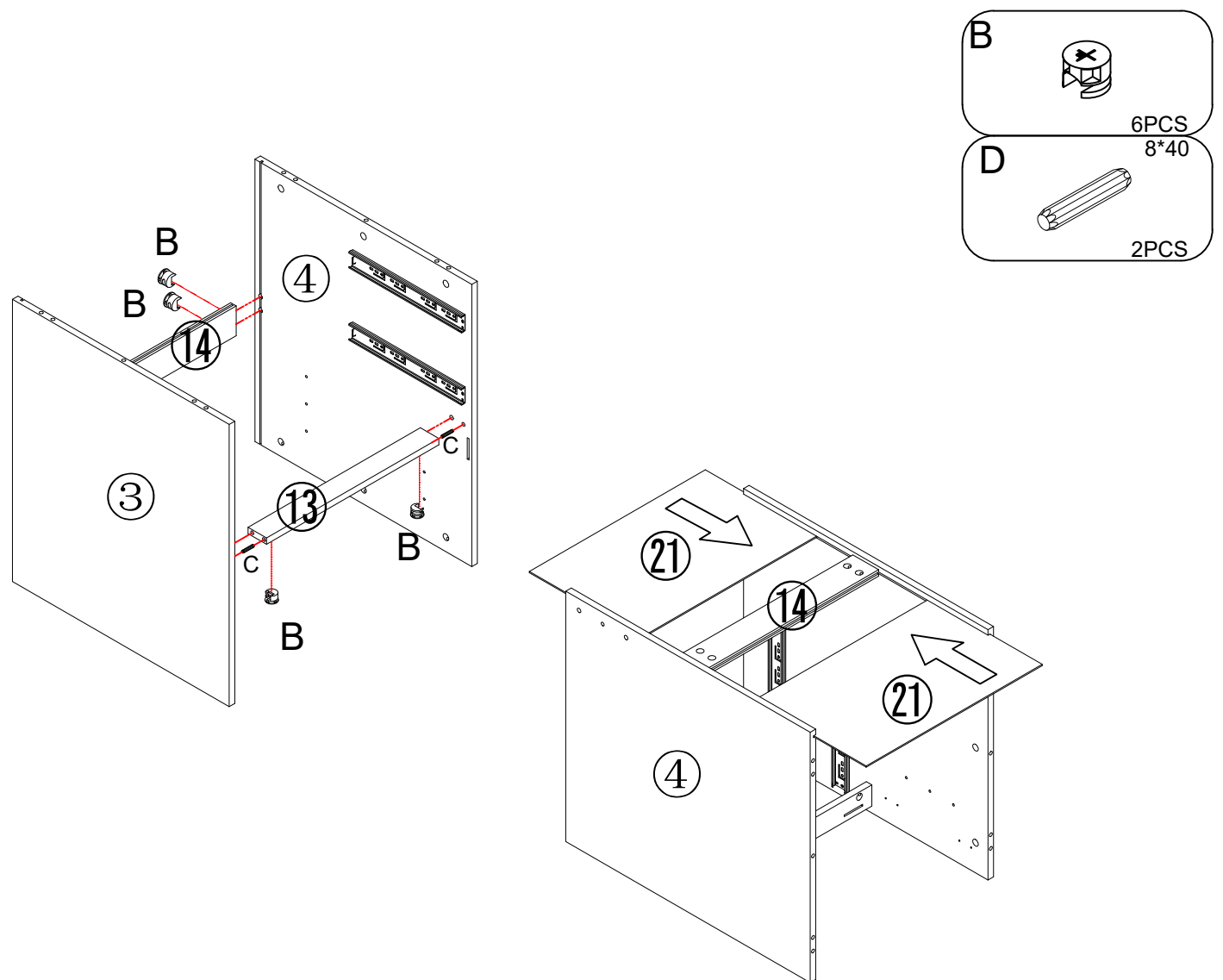
- A  16PCS
- E  Ø3.5\*12 22PCS
- F1  300mm 8PCS
- G1  400mm 2PCS



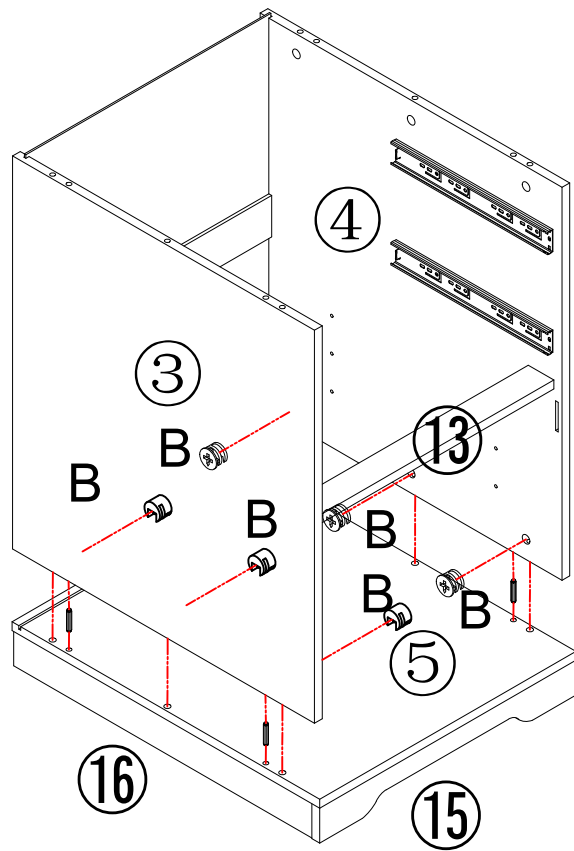
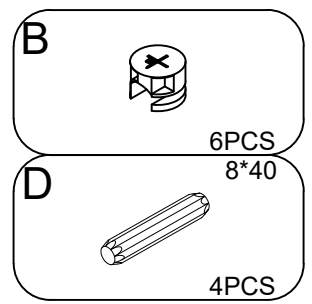
# STEP 3



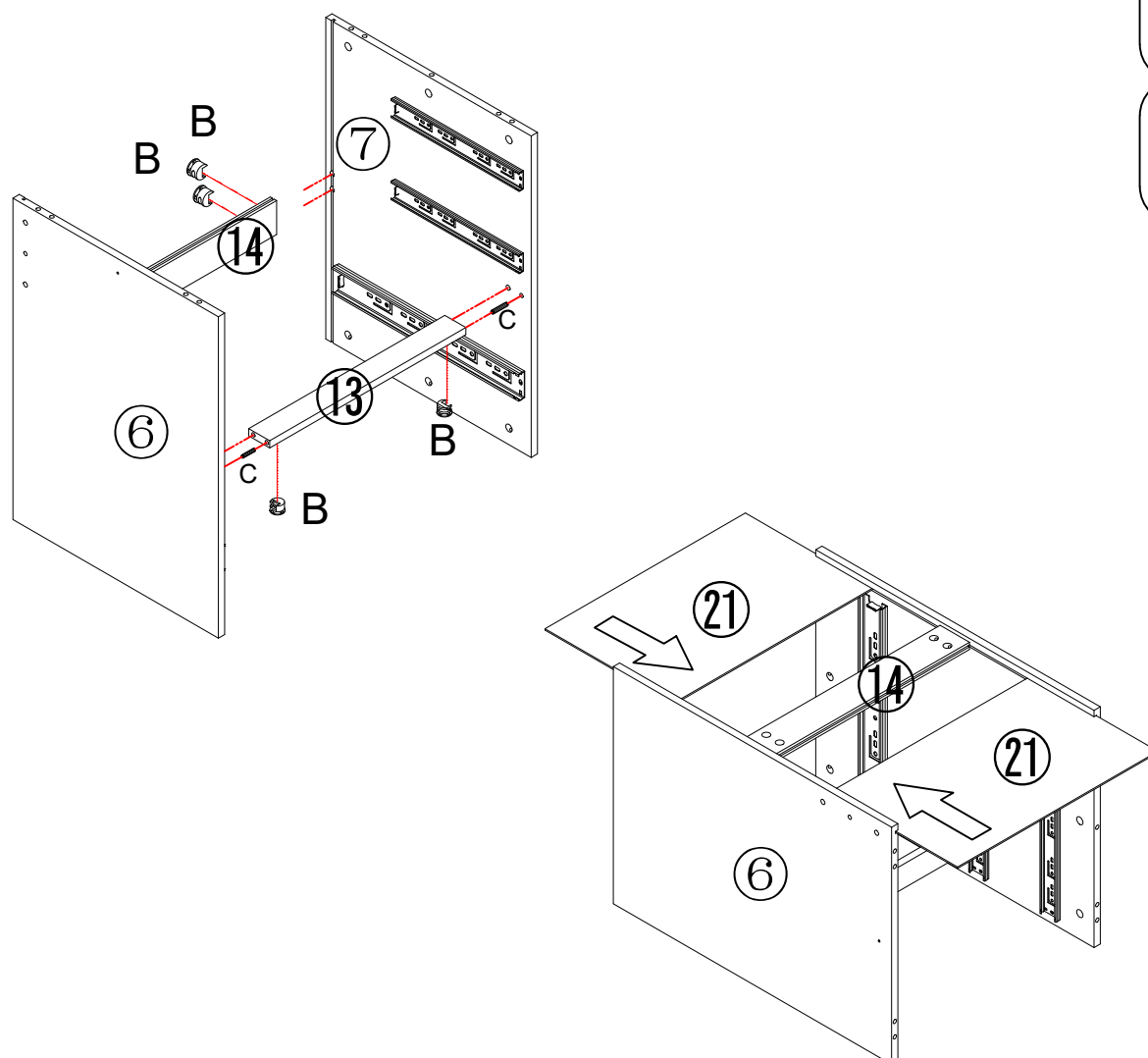
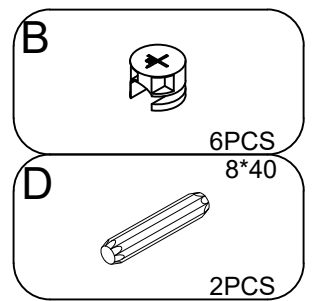
# STEP 4



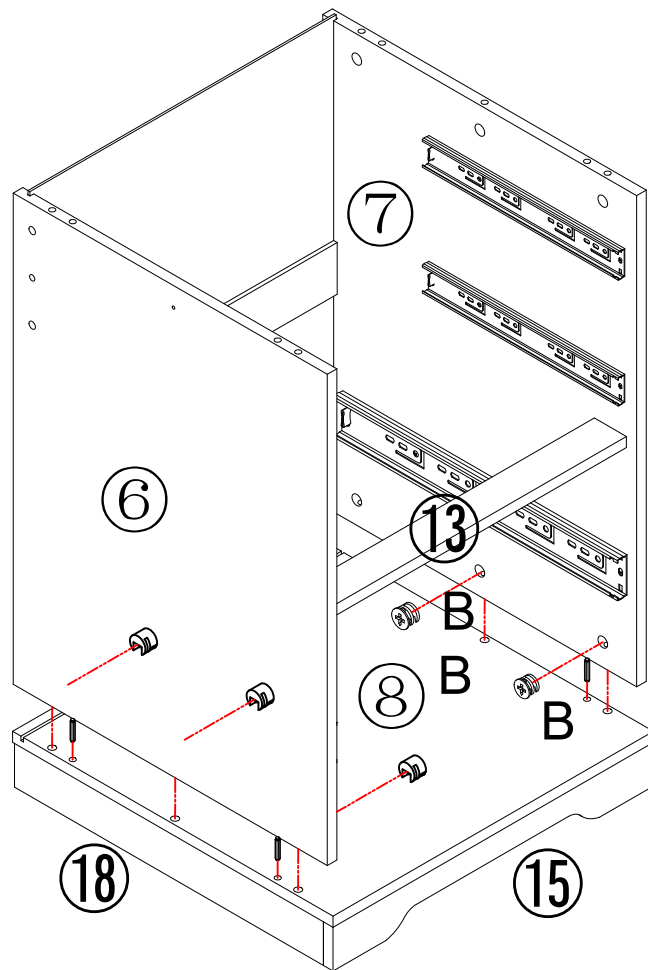
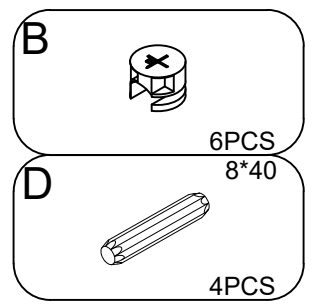
# STEP 5



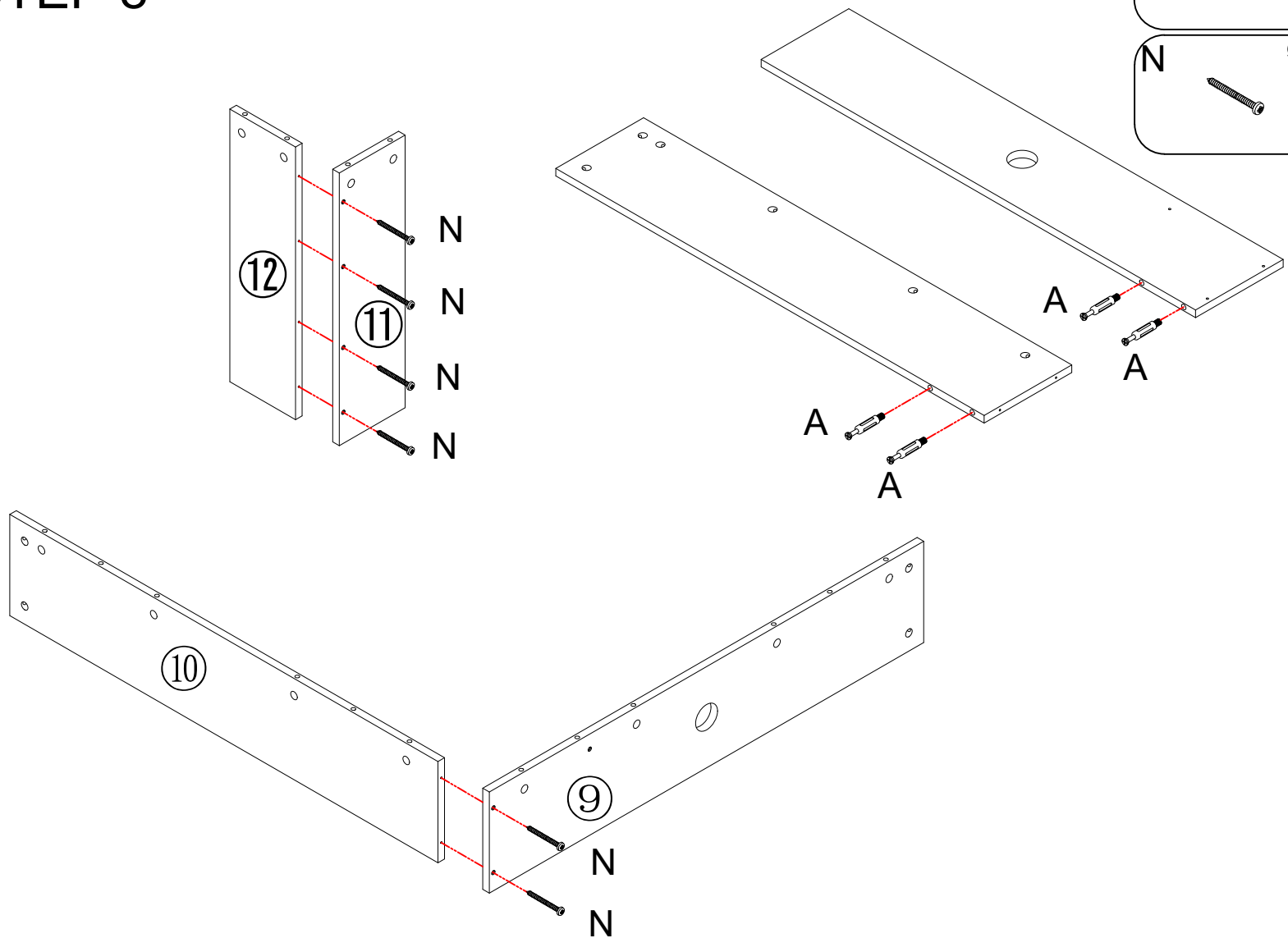
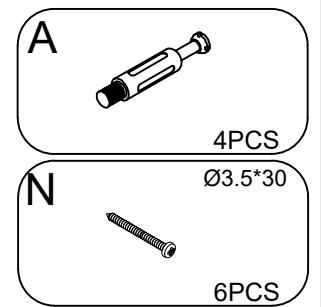
# STEP 6



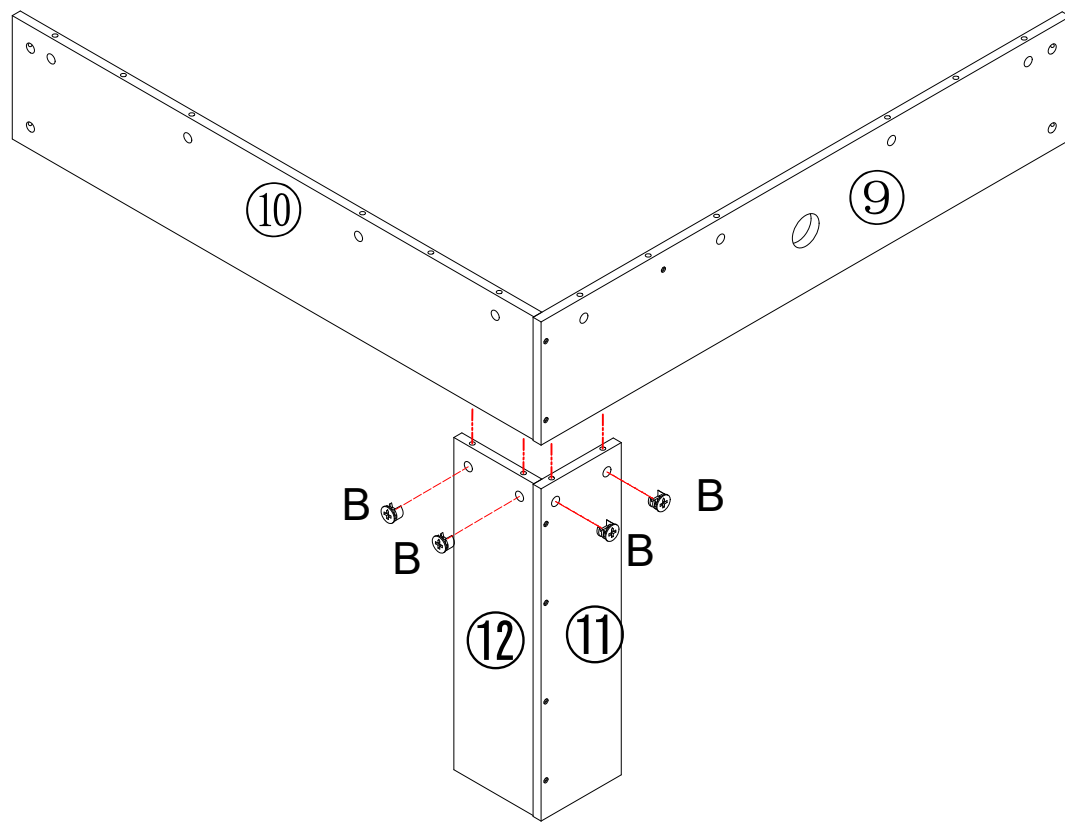
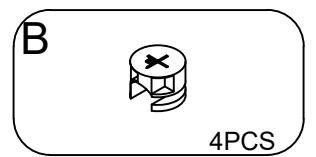
# STEP 7



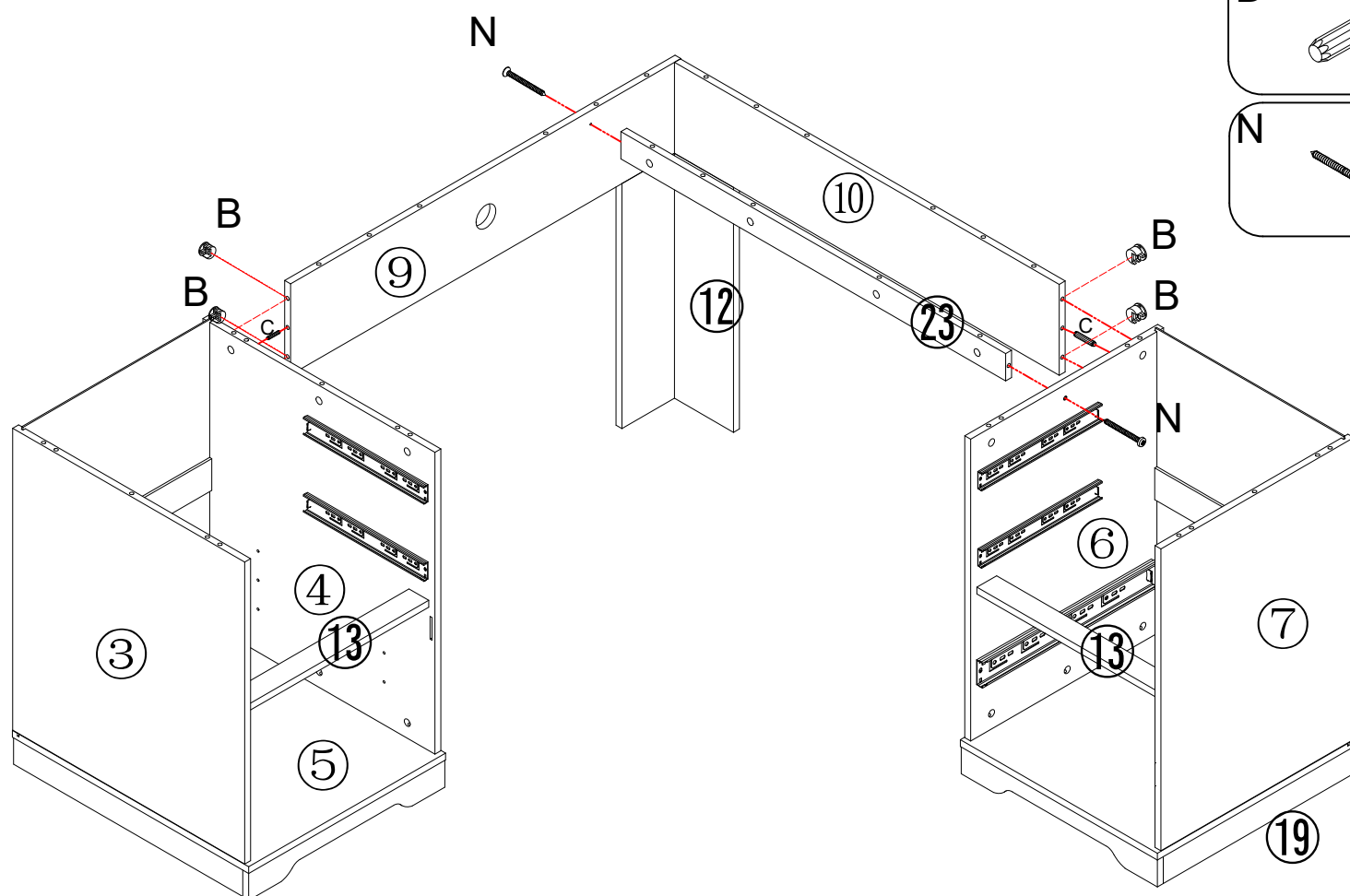
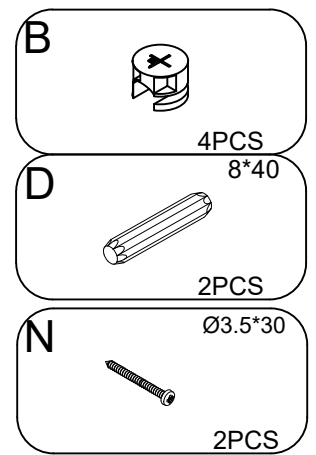
# STEP 8



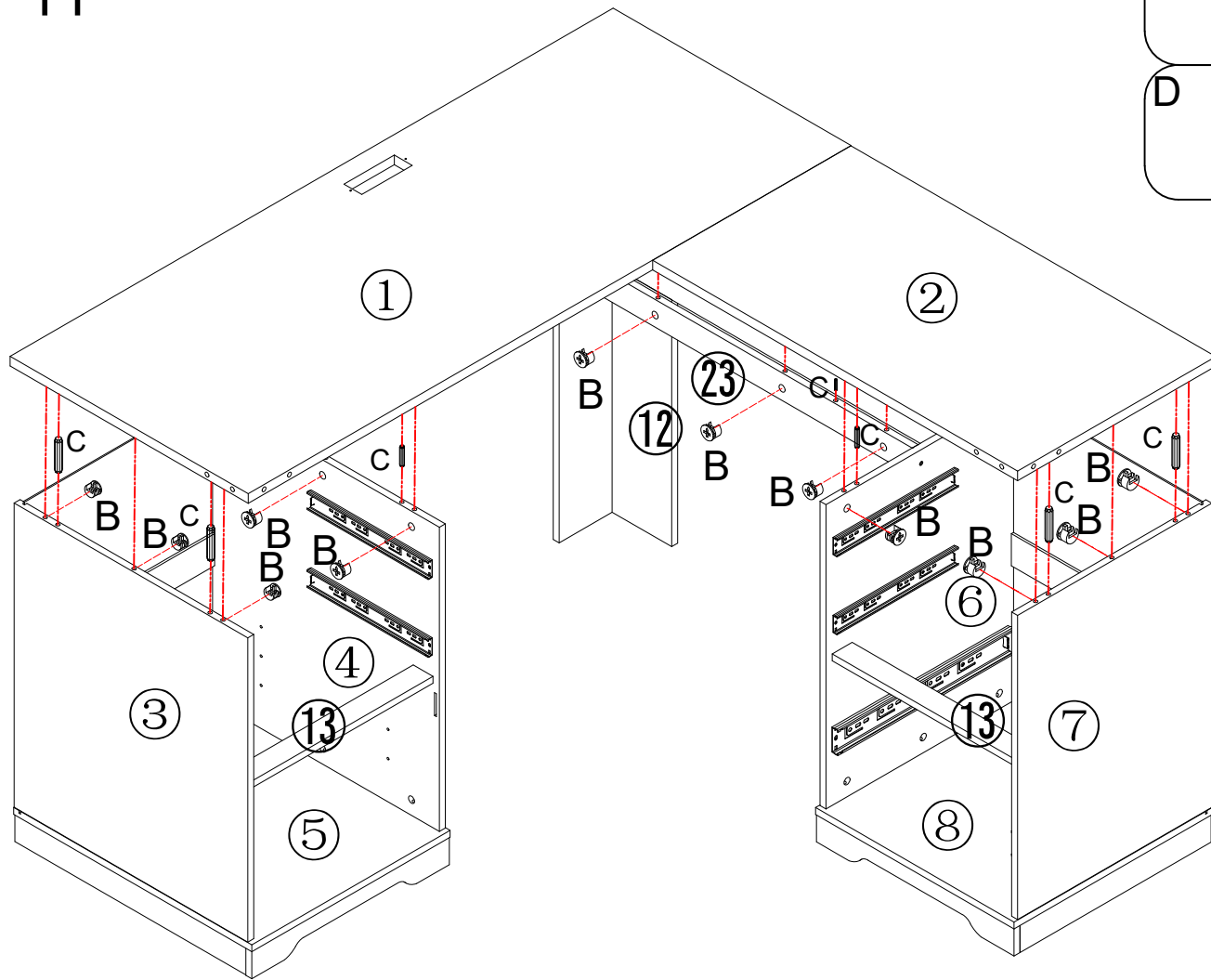
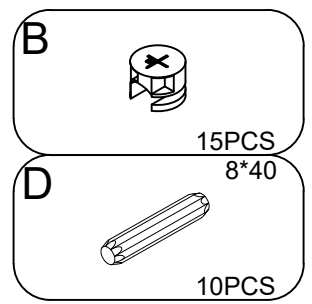
# STEP 9



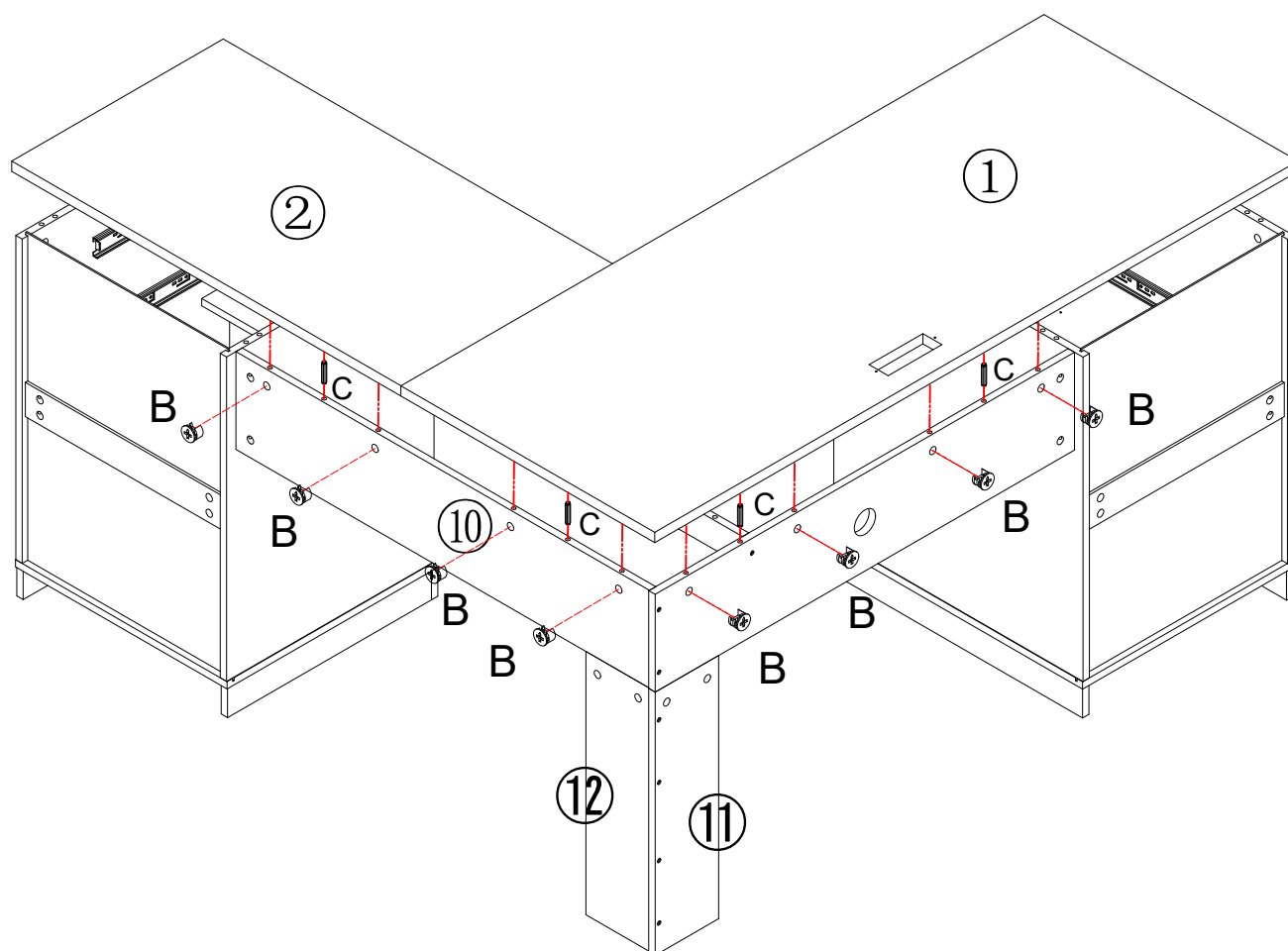
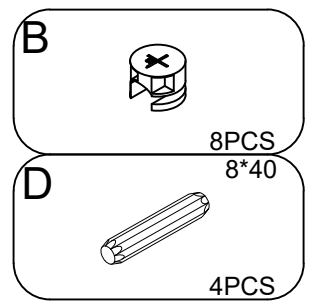
# STEP 10



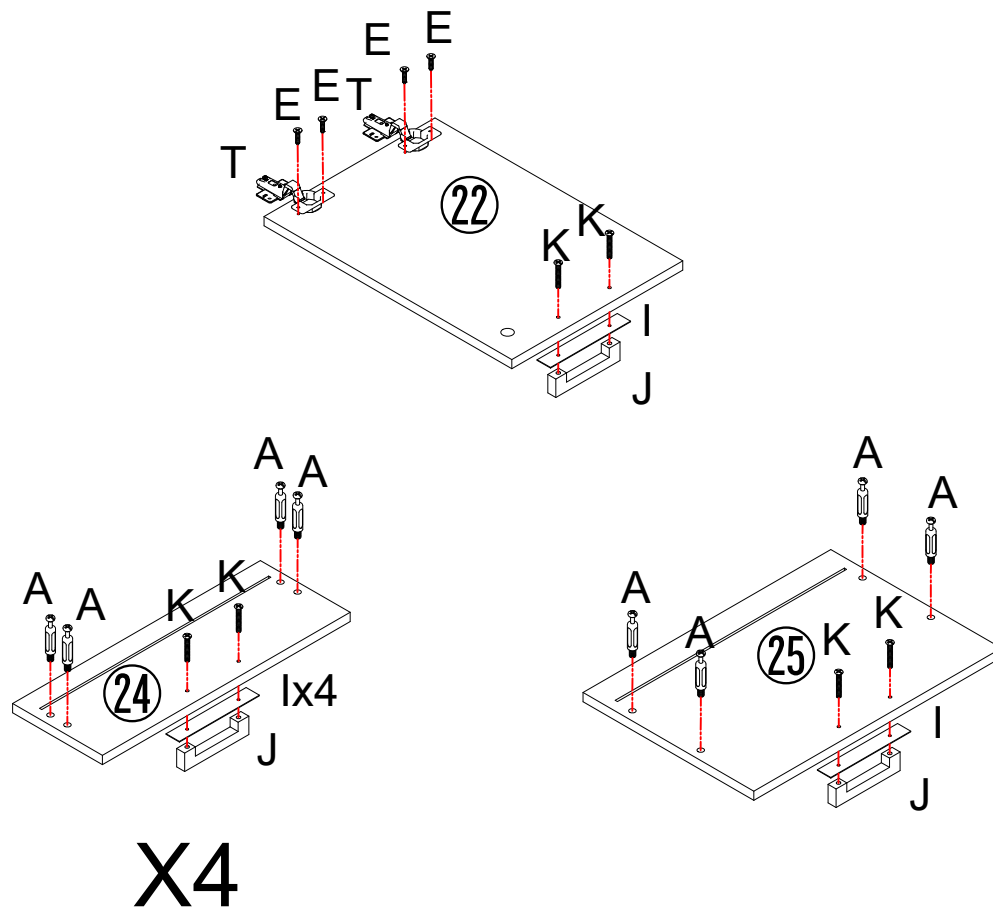
# STEP 11

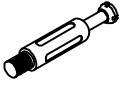

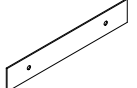
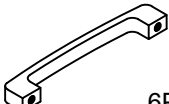
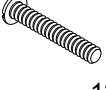
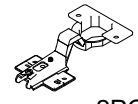


# STEP 12

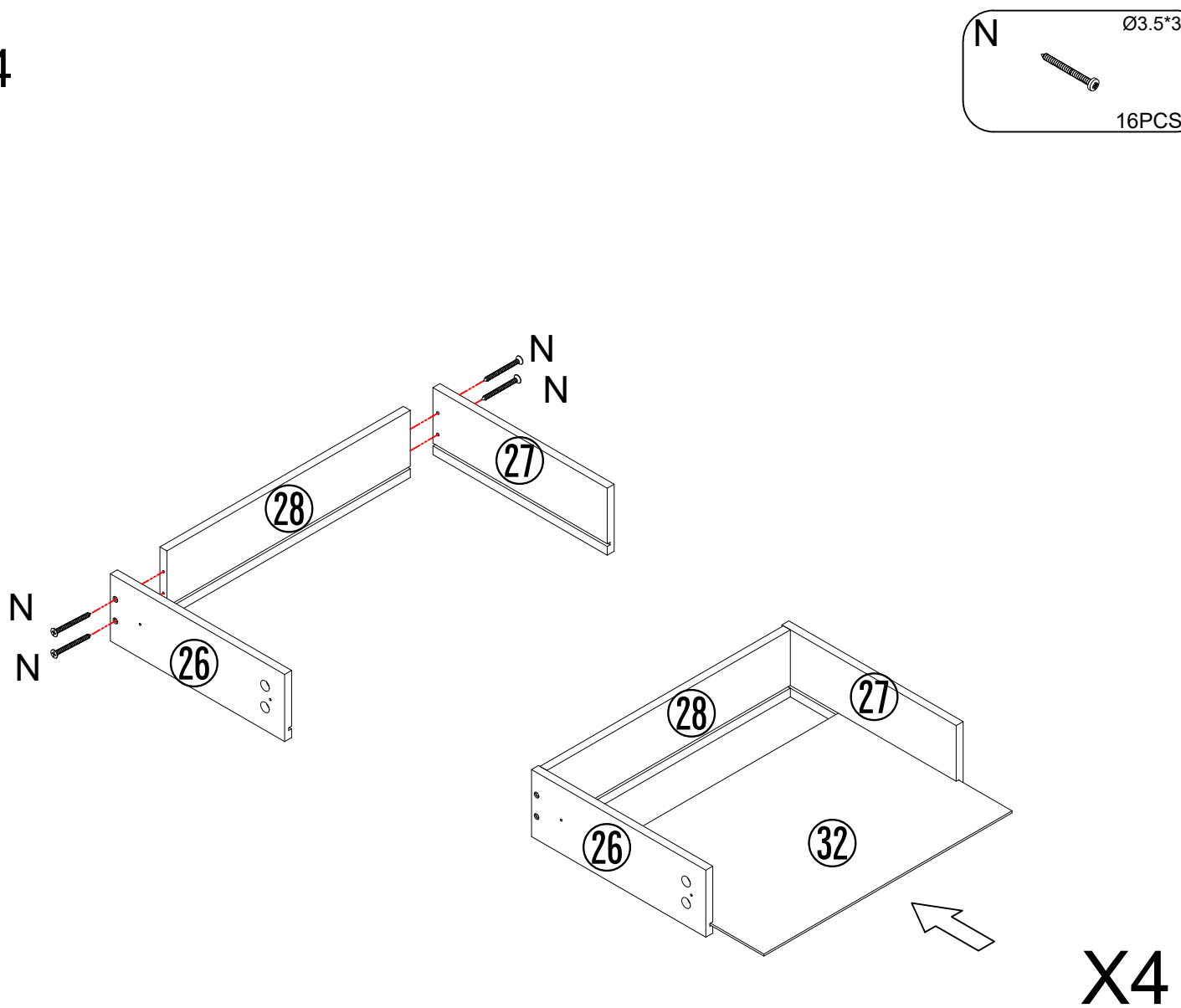



# STEP 13



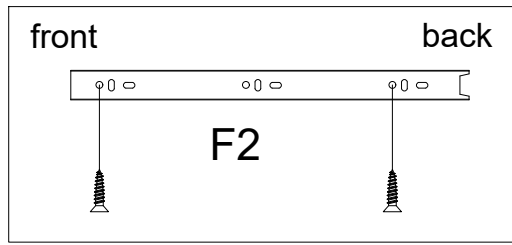
- A**  20PCS  
Ø3.5\*12
- E**  4PCS
- I**  6PCS
- J**  6PCS
- K**  12PCS
- T**  2PCS

# STEP 14

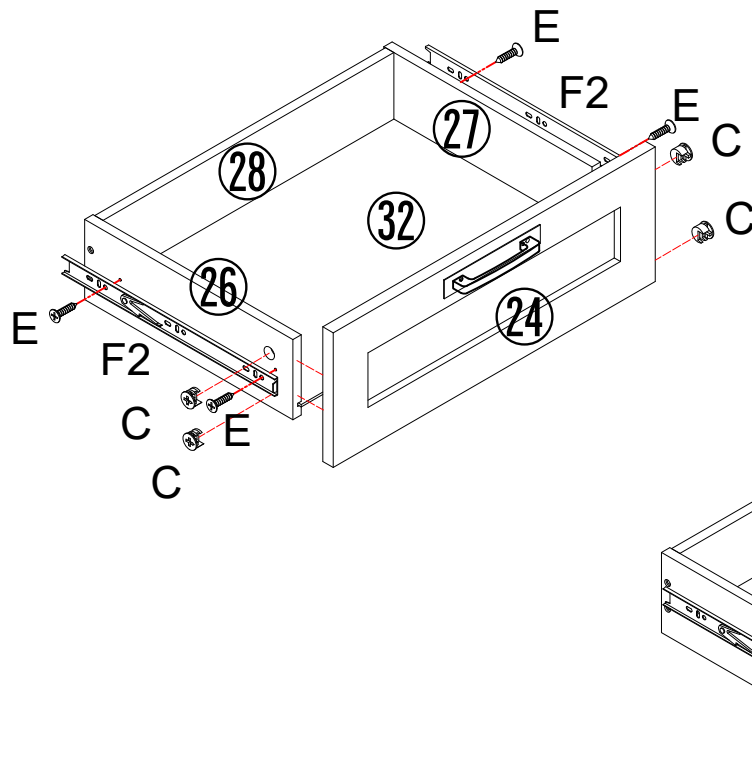


- N**  16PCS  
Ø3.5\*30

# STEP 15



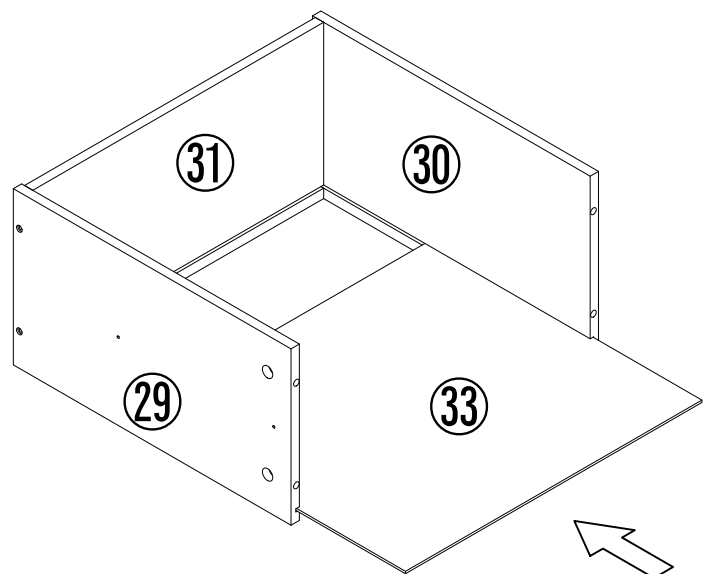
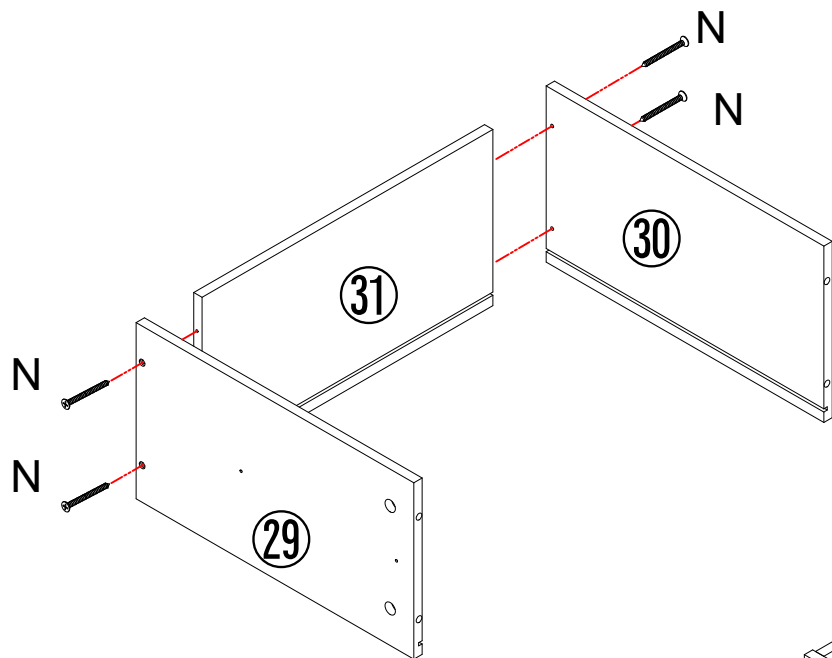
- C Ø15\*9.5  
16PCS
- E Ø3.5\*12  
16PCS
- F2 300mm  
8PCS



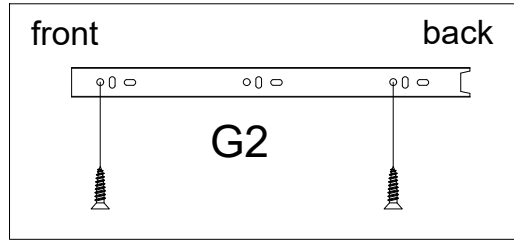
X4

# STEP 16

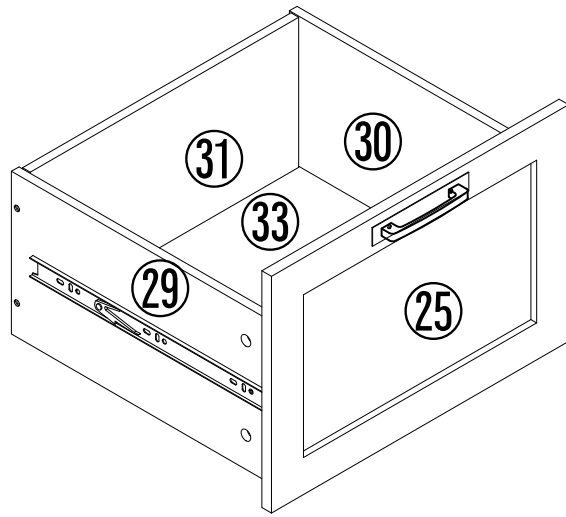
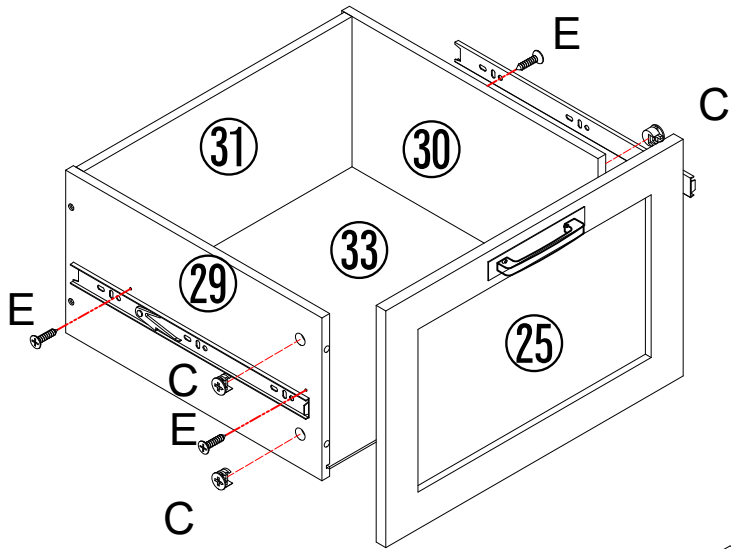
- N Ø3.5\*30  
4PCS



# STEP 17

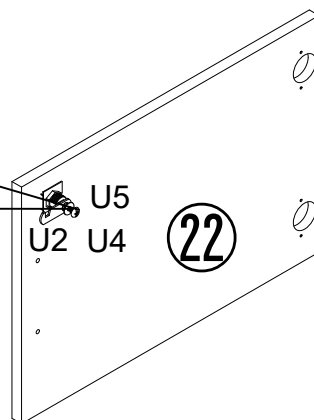
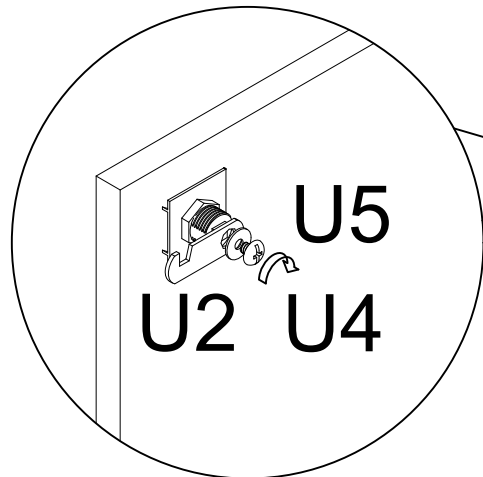
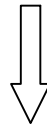
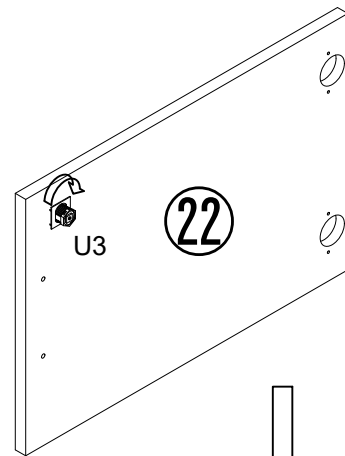
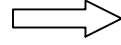
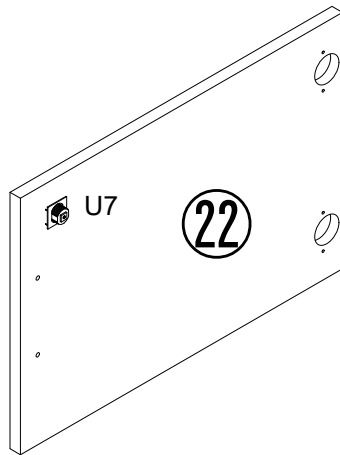
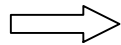
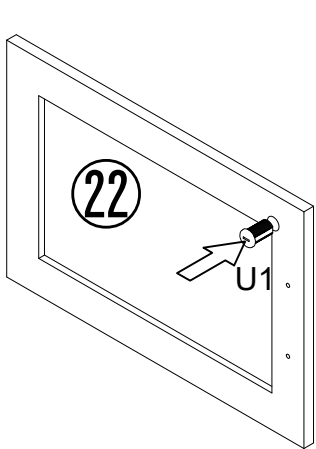


- C 4PCS
- E Ø3.5\*12 4PCS
- G2 400mm 2PCS

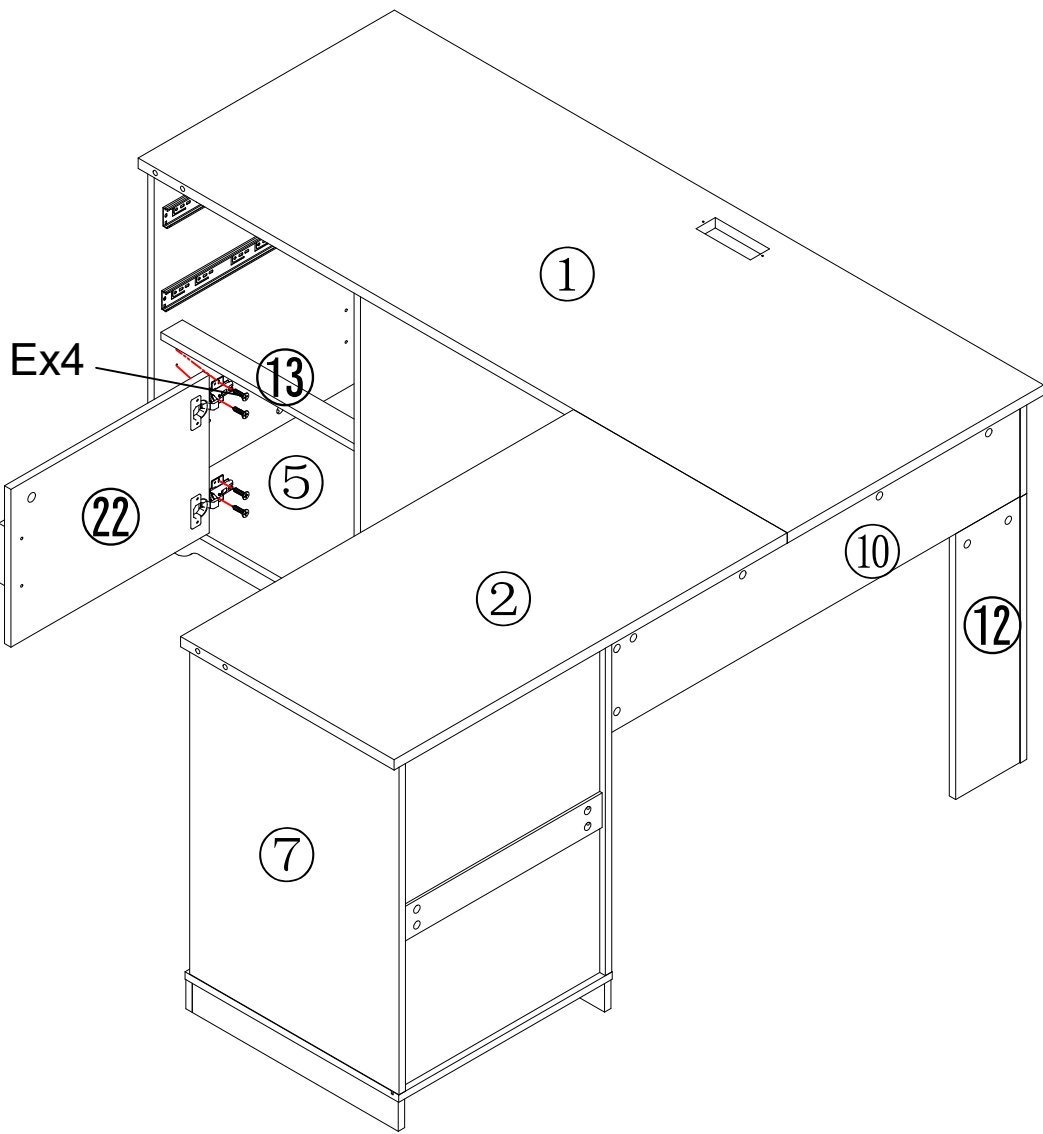
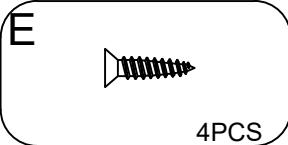


# STEP 18

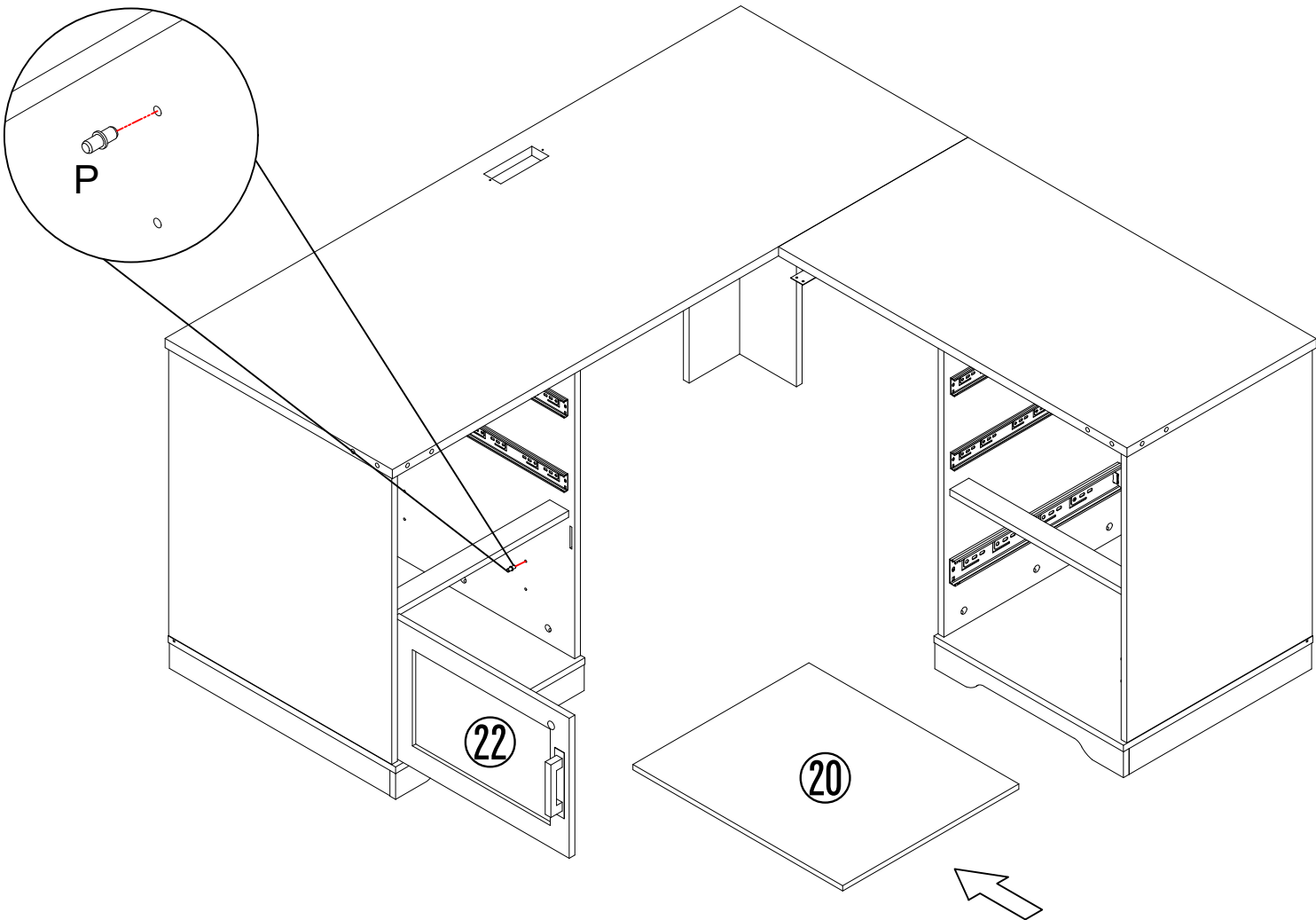
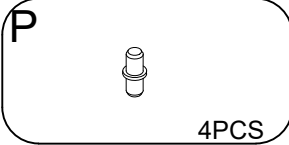
- U U1 U3 U7  
U2 U5 U4 U6 1PCS



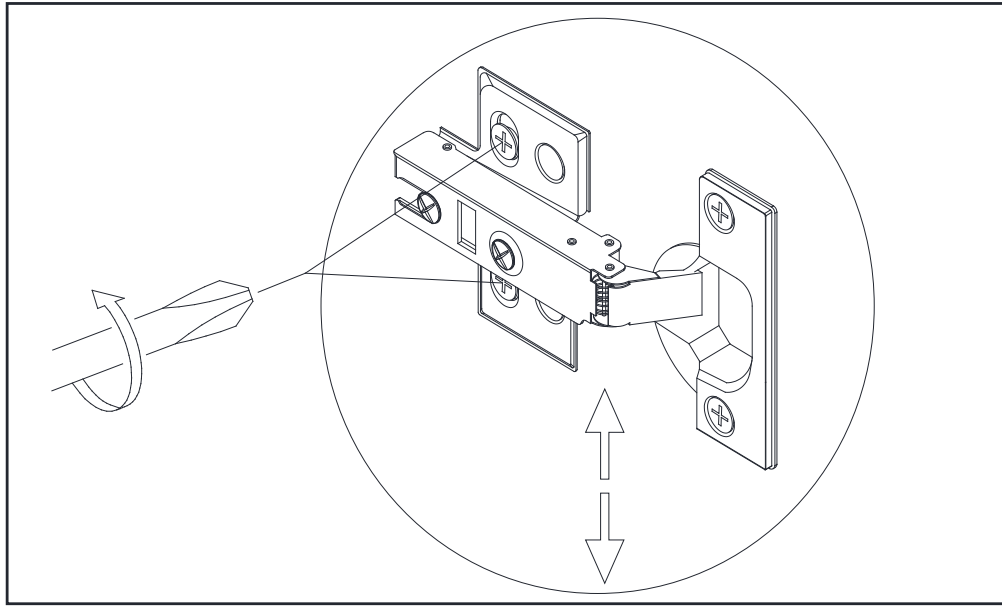
# STEP 19



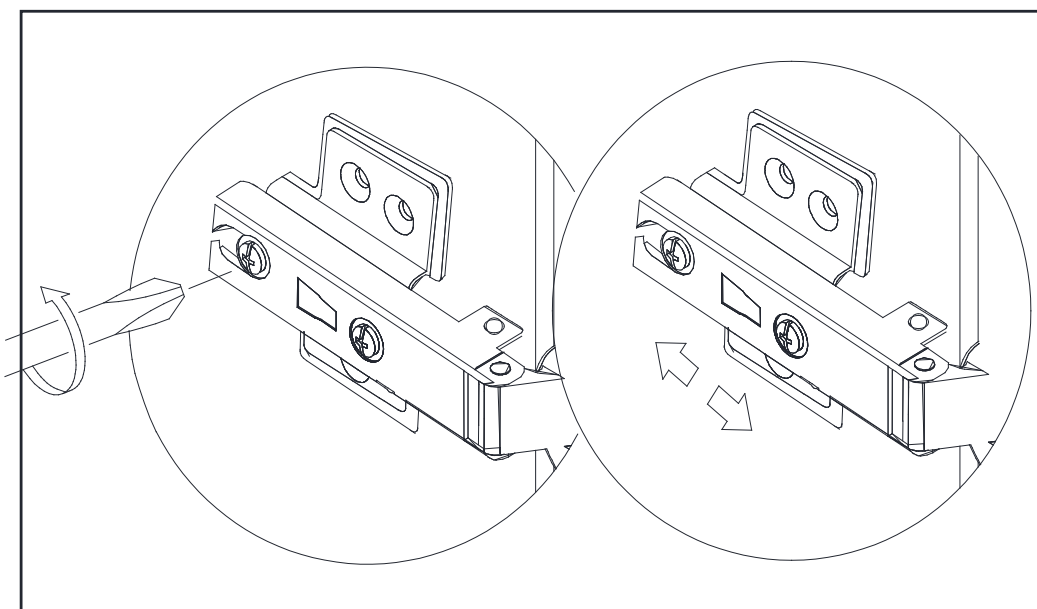
# STEP 20



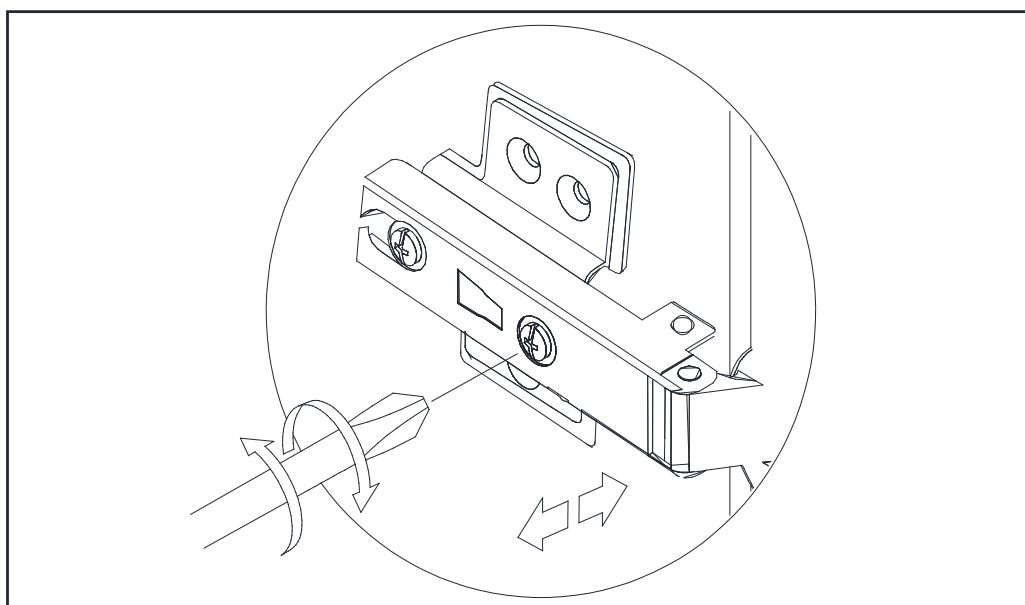
**If the door panel is misaligned or the gap is too large, you can use the following method to make slight adjustments.**



Top and bottom  
adjustment position

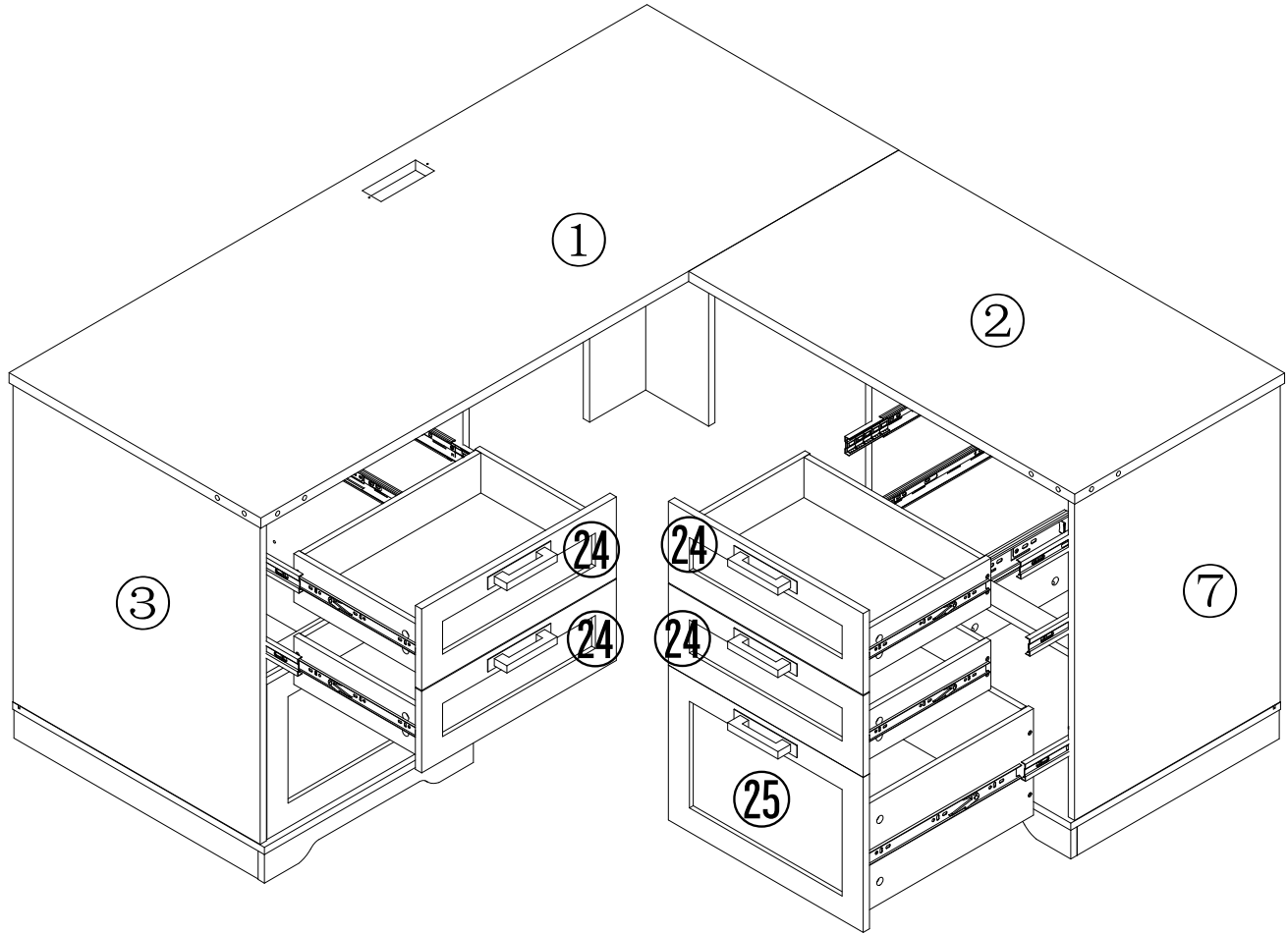


Front and rear  
adjustment position

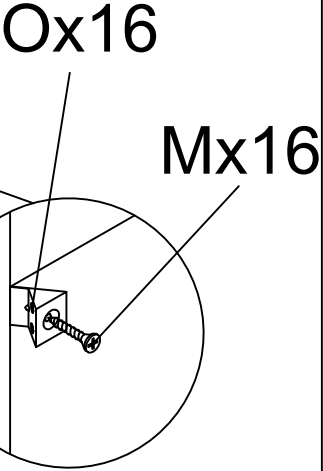
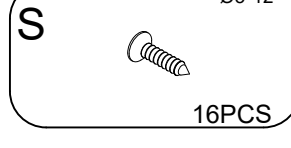
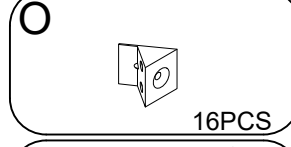
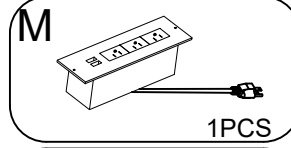
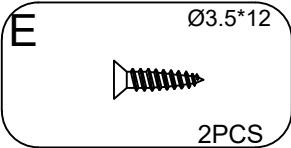
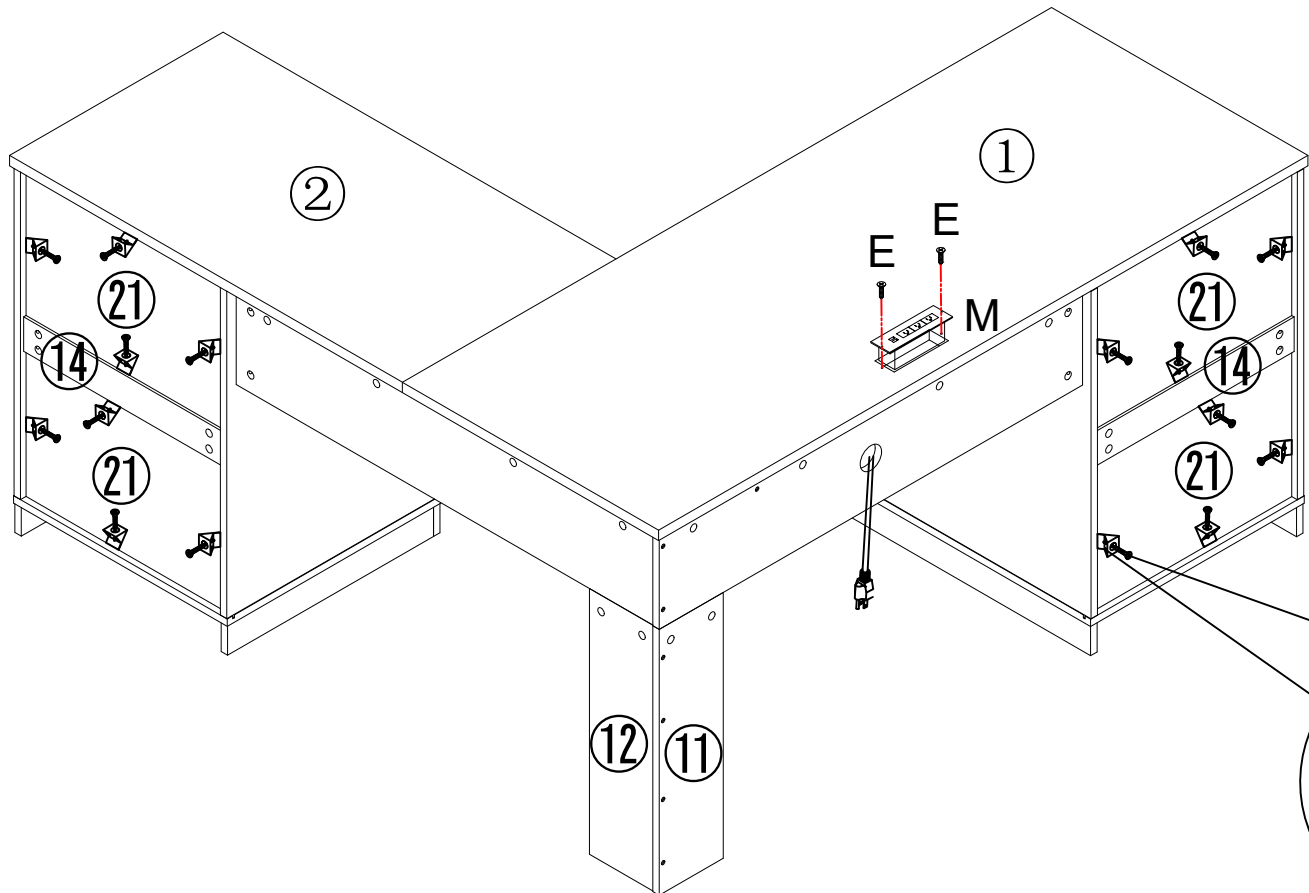


Left and right  
adjustmen position

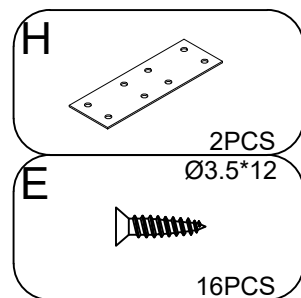
# STEP 21



# STEP 22



# STEP 23



Install the iron sheet on the back of the desktop.

