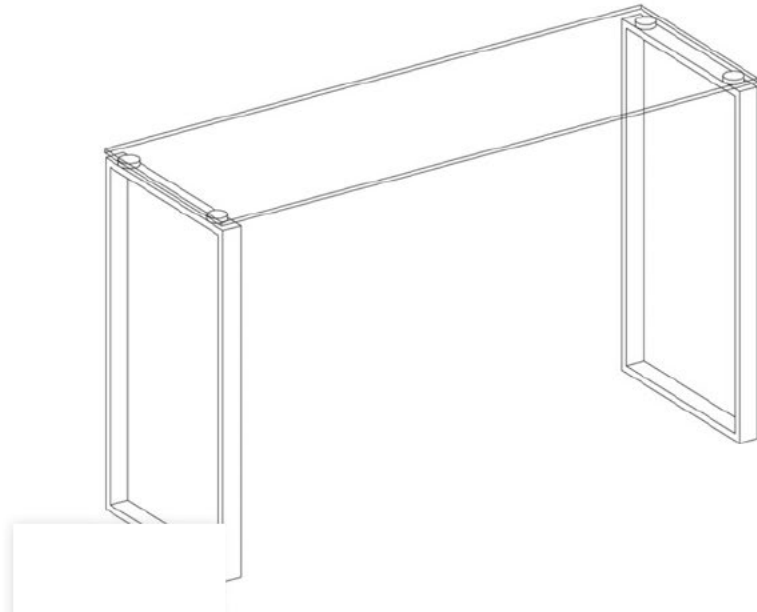


ASSEMBLY GUIDE



Important - Please read these instructions fully before starting assembly



**SAFETY AND
CARE ADVICE**



NO POWER TOOLS

SAFETY AND CARE ADVICE

- Check you have all the components and tools listed.
- Remove all fittings from the plastic bags and separate them into their groups.
- We do not recommend the use of power drills/drivers for inserting screws, as this could damage the unit. Only use hand screwdrivers and Allen keys.
- Keep children and animals away from the work area, small parts could cause choking if swallowed.
- Make sure you have enough space to layout the parts before starting.
- Assemble the item as close to its final position (in the same room) as possible.
- Do not overtighten the nuts to avoid causing damage to the threads.
- Only clean using a damp cloth and mild detergent, do not use bleach or abrasive cleaners.
- From time to time check that there are no loose screws on this unit
- This product should not be discarded with household waste. Take to your local authority waste disposal centre

IMPORTANT INFORMATION



45 MINUTE
BUILD



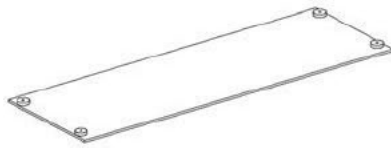
TWO
PERSON



MAXIMUM
CAPACITY 100Kg








PLEASE CHECK CAREFULLY AND MAKE SURE YOU HAVE ALL FITTINGS AND TOOLS LISTED BELOW BEFORE YOU START.

1 x1 Table Top



2 x2 Table Legs



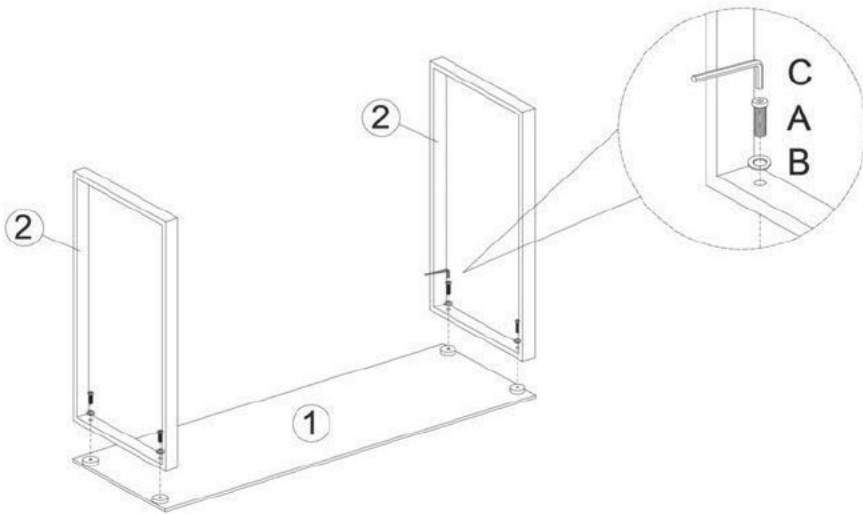
<p>(A)  M8*20mm x4 SCREWS</p>	<p>(B)  M8 x4 WASHERS</p>	<p>(C)  M5 x1 ALLEN KEY</p>
<p>(D)  x4 ANTI-REWINDING ACCESSORIES</p>	<p>(E)  x2 ANTI-REWINDING ACCESSORIES</p>	<p>(F)  3.5x40mm x4 LONG SCREW</p>
<p>(G)  x2 ANTI-REWINDING ACCESSORIES</p>		

NOTE: The quantities above are the correct amount to complete the assembly. In some cases more fittings may be supplied than are required.

STEP 1

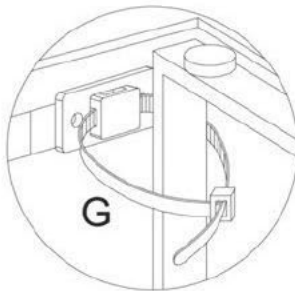
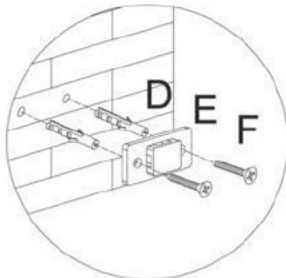
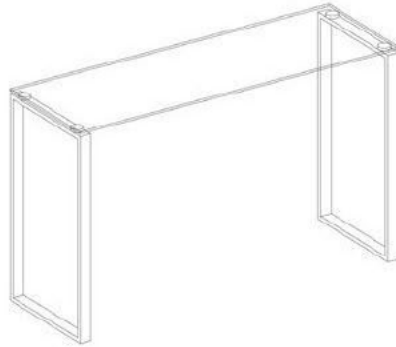
Use a clear, flat, soft surface to avoid bumps or scratches.

Lay table top [1] on floor, with metal discs facing up. Attach legs [2] to metal discs on table top, using 1 x washer [B] followed by 1 x screw [A]. Tighten with Allen key [C]



STEP 2

ATTENTION: Carefully, and with help, flip your table correct side up, so it sits on its legs. Check stability. Your console table is now ready to use.



STEP 3

To ensure stability, you can attach your console table to the wall using the anti-rewind accessories. This step is optional.

Measure and carefully drill holes into your wall that will align with the holes in the bracket [E]. Push 2 x wall plugs / wall plugs [D] into the wall. Align bracket [E] and screw into place using 2 x screws [F]. Use cable tie [G] to anchor your console table to the wall.

LOOKING GOOD!

Now you've assembled your product find out how to care for your item and keep it looking brand new.



WHAT THE GUARANTEE COVERS



PRE-INSERTED FIXINGS
e.g. lose metal threads



FAULTY JOINTS
e.g. legs bending



EXTERNAL FIXING FAULTS
e.g. metal discs removing
from table top



STRUCTURAL INTEGRITY
e.g. the frame of the
product