

NOTICE

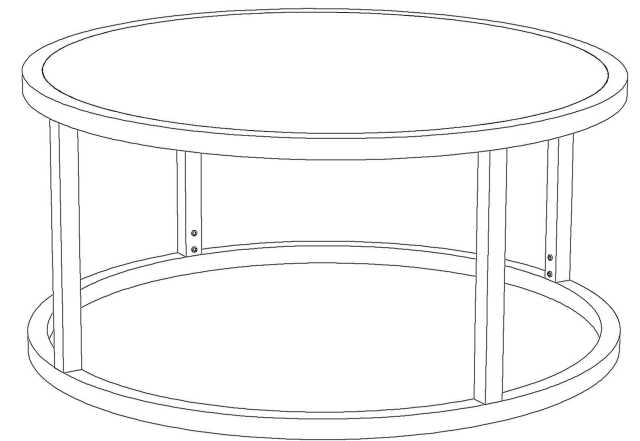
- * Please make sure that you have all parts indicated before you begin assembly of this item
- * This item should be assembled on a soft surface to prevent scratching the finish during assembly
- * This item may require periodic tightening
- * If you are having difficulty, our friendly Customer Care team is always here to help.

PREPARATION

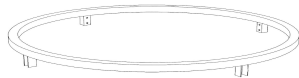




- * Before beginning assembly of product, make sure all parts are present. Compare parts with part contents list and hardware contents list.
- * If any part is missing or damaged, do not attempt to assemble the product.
- * Estimated Assembly Time: 10 minutes.
- * Tools Required for Assembly (included) :Allen Key

CARE AND MAINTENANCE

Dust with a soft, dry cloth. Do not use abrasive cleaner. To clean mirror, spray a small amount of glass cleaner onto a lint-free cloth and wipe mirror clean.



Part List and Hardware List

Piece	Description	Picture	Quantity
A	Top Frame		1X
B	Legs		4X
C	Bottom Frame		1X
HW1	Allen Bolt (M6x10mm)		16X
HW2	Allen Wrench		1X



WARNING



Weight Capacity: 100LBS

Warning: Do not stand on Table

Warning: Do not over torque bolts

Preparation

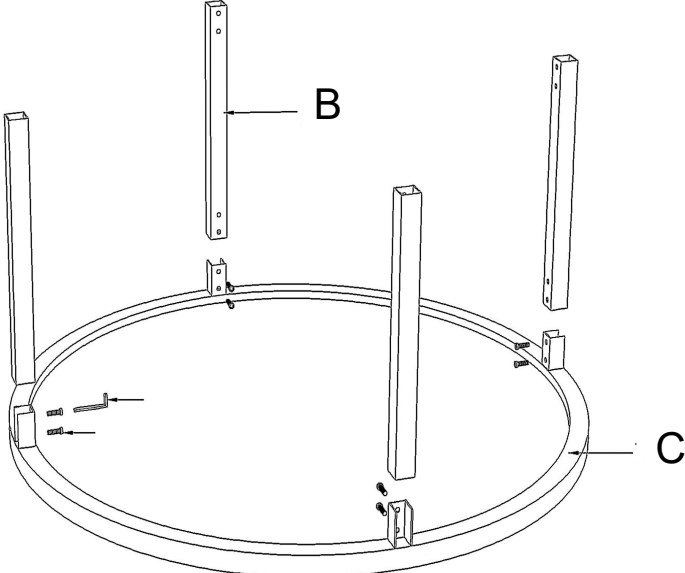
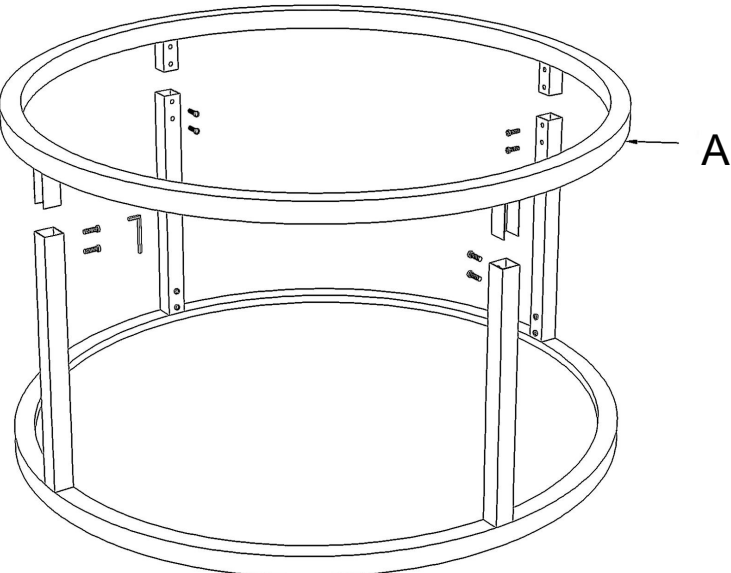
*Before beginning assembly of product, make sure all parts are present. Compare parts with package contents list and hardware contents list.

*If any part is missing or damaged, do not attempt to assemble the product.

*Estimated Assembly Time: 10 minutes.

*Tools Required for Assembly (included) :Allen Key

* If you are having difficulty, our friendly Customer Care team is always here to help.

	
<p>Step 1</p> <p>Assemble the Legs (B) and Bottom Frame (C) together using a wrench and 8 Screws.</p>	<p>Step 2</p> <p>Assemble the legs (B) and top frame (A) together using wrench and 8 Screws.</p>