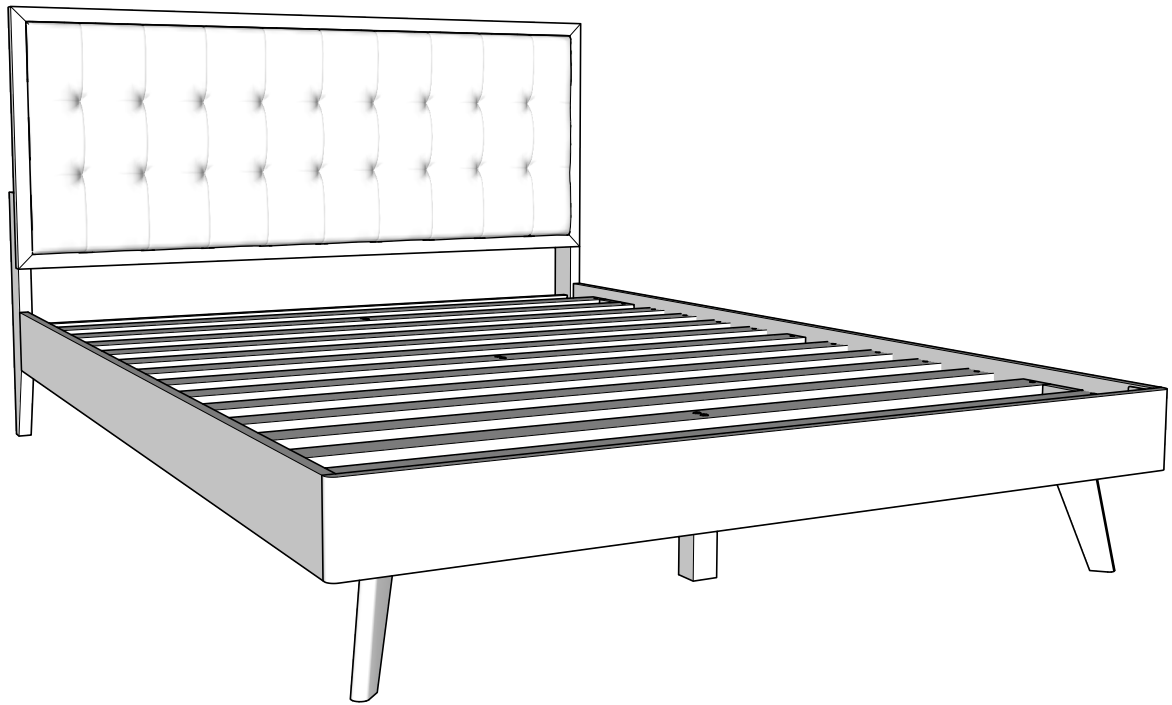


ASSEMBLY GUIDE & CARE INFORMATION

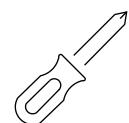
FOR YOUR QUEEN SIZE BED



**Most customers
assemble under
60 minutes**



**Assembly is
easiest with 2
people**



**Required tool
(not provided)
#2 Phillips Screwdriver**

Important Assembly & Safety Notes

- 1. Do not assemble or use this product if any parts are missing, damaged, or broken.**
Contact customer support for factory replacement parts before proceeding.
- 2. Carefully check all packing materials before discarding the carton.**
Small hardware may have come loose during shipment.
- 3. Identify and count all parts and hardware before starting.**
Compare each item with the parts and hardware list in the instructions.
- 4. Follow the assembly steps exactly as shown.**
Improper assembly may result in personal injury or property damage.
- 5. Some parts may be heavy or have sharp edges.**
Use caution when handling components.
- 6. Secure all bolts firmly before use.**
Do not use the product until all fasteners are fully tightened.
- 7. Recheck and tighten all bolts every 90 days.**
This helps maintain long-term stability and prevents loosening over time.
- 8. Do not drag or push the bed frame.**
Always use two people to lift and reposition the product. Dragging may damage the legs, slats, or center support.
- 9. Use floor protection on non-carpeted surfaces.**
An area rug or furniture pads are recommended (not included).
- 10. Do not use or store this product near open flames or flammable chemicals.**
- 11. Keep these instructions for future reference and maintenance.**

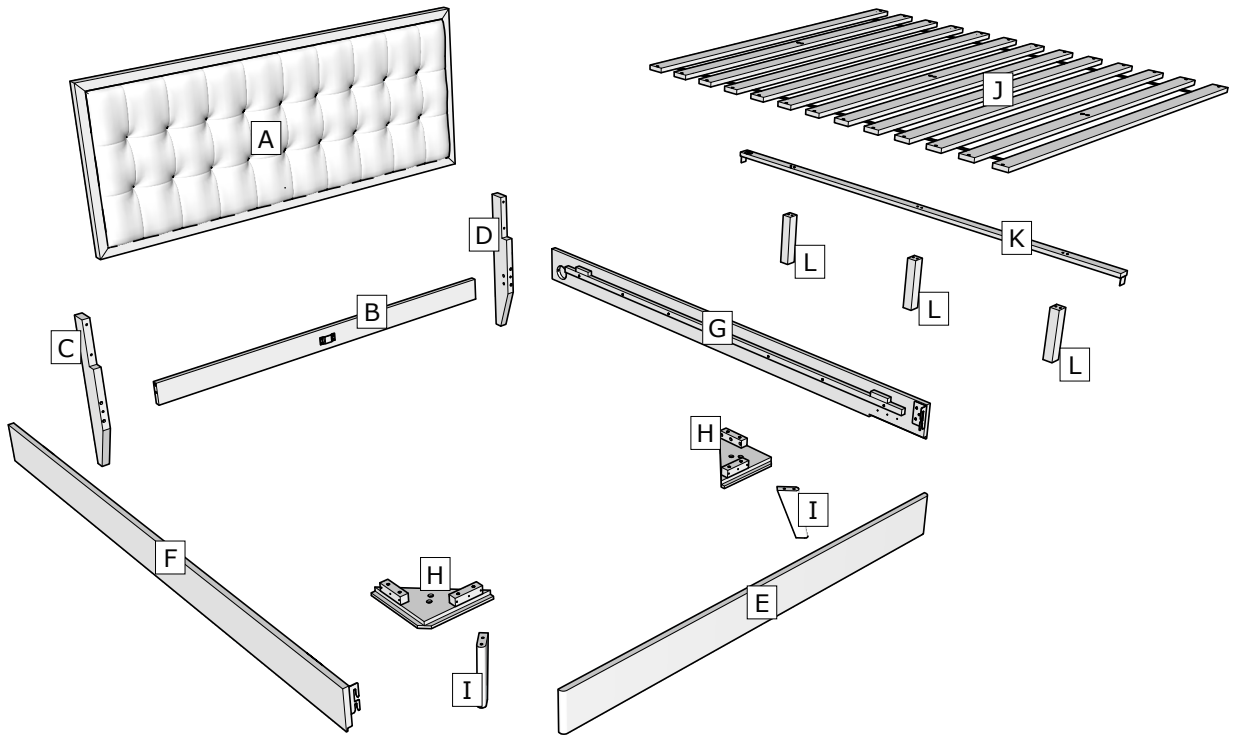
Need a replacement part?

Please contact us through the website used for your purchase.
To help us resolve your request quickly, include:

- **Clear photos of the issue**
- **The part number and quantity needed**

IMPORTANT: Seller and Manufacturer disclaim all and any liability for property damage, personal injury, or loss, direct, indirect, or incidental, resulting from the incorrect assembly, inadequate maintenance, improper use, or neglect of this product.


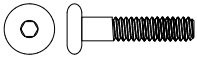

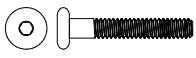
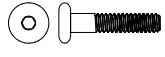




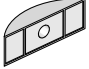




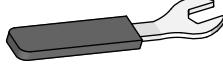
Bed Parts Check List



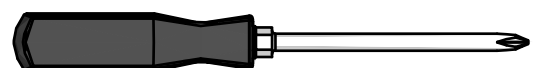
A	Headboard	x1
B	Headboard Rail	x1
C	Headboard Post Left	x1
D	Headboard Post Right	x1
E	Footboard	x1
F	Side Rail Left	x1
G	Side Rail Right	x1
H	Corner Block	x2
I	Foot	x2
J	Bed Slat	x13
K	Slat Support	x1
L	Support Leg	x3

**Need a replacement screw?**

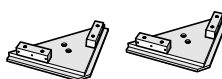
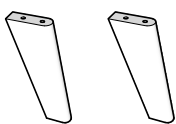
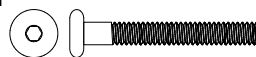
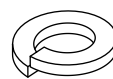
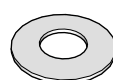

Refer to the Hardware Check List below for size specifications.

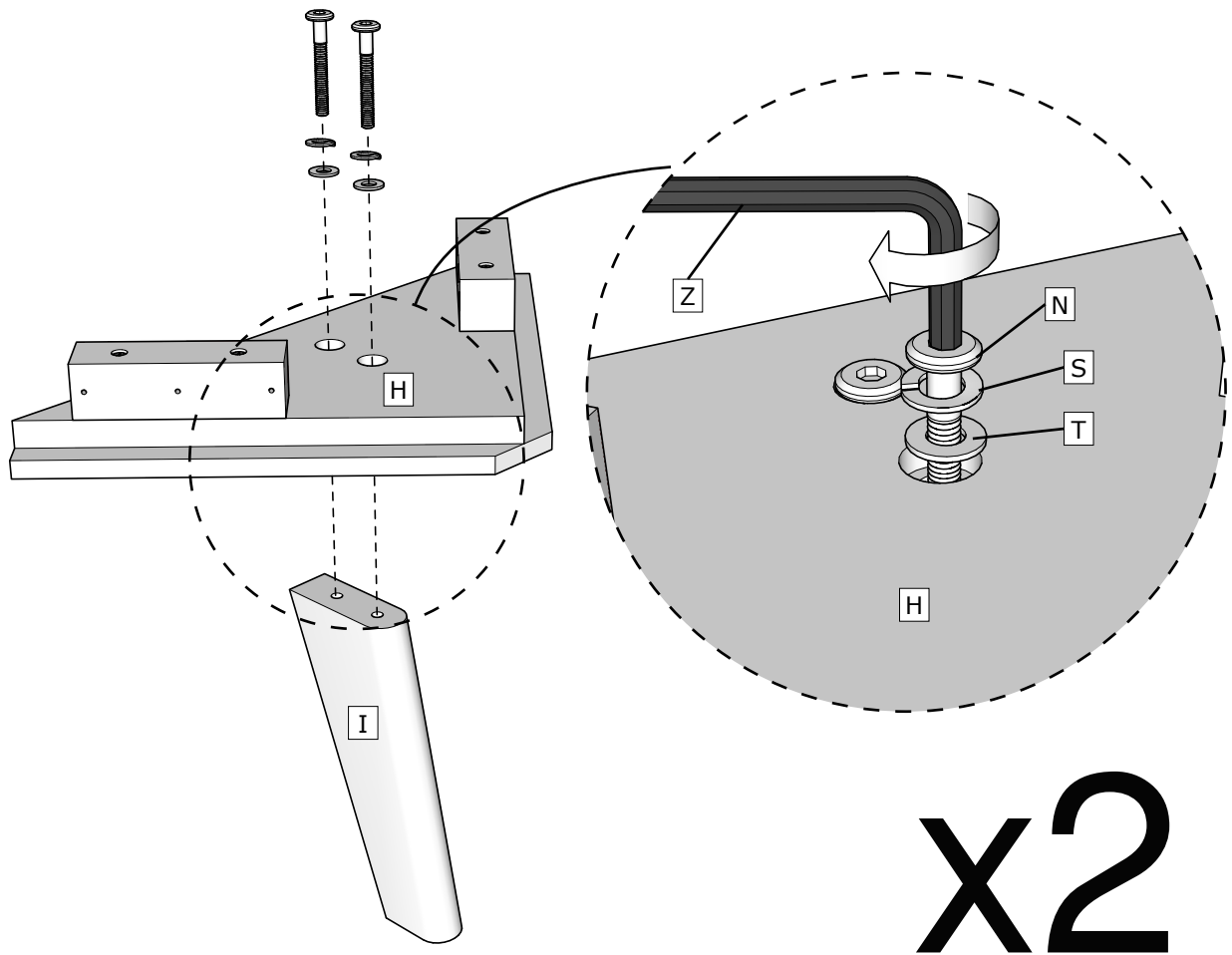
M	Screw	x38	M4 x 32mm	
N	Bolt	x4	M8 x 40mm	
O	Bolt	x4	M8 x 20mm	
P	Bolt	x6	M6 x 60mm	
Q	Bolt	x4	M6 x 40mm	
R	Threaded Rod	x4	M8 x 65mm	
S	Spring Washer	x8	M8	
T	Flat Washer	x8	M8	
U	Hex Nut	x4	M8	
V	Half Moon Washer	x4	M8 x 30mm	
W	Adjustable Feet	x3	M6 x 23mm	
X	Dowel	x6	M10 x 40mm	
Y	Hex Key Wrench	x1	M4	
Z	Hex Key Wrench	x1	M5	
AA	Open End Wrench	x1	M8	

Required Tool
(Not Provided)
 #2 Phillips Screwdriver



Bed Assembly Step 1





H Corner Block x2 	I Foot x2 	N Bolt x4  M8 x 40mm	S Spring Washer x4  M8
T Flat Washer x4  M8	Z Hex Key Wrench x1  M5		

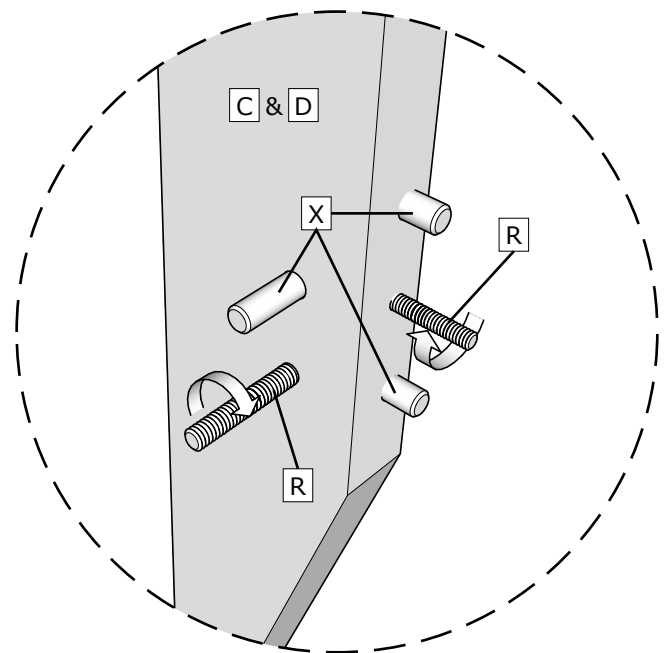
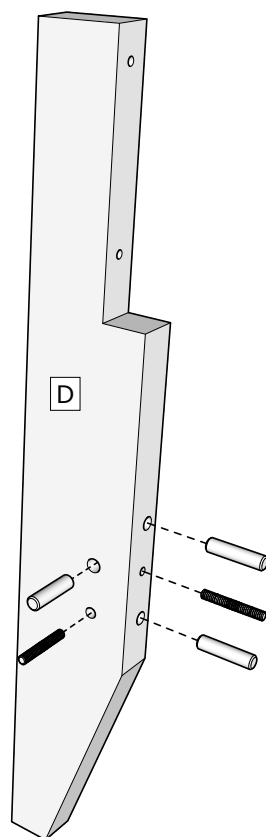
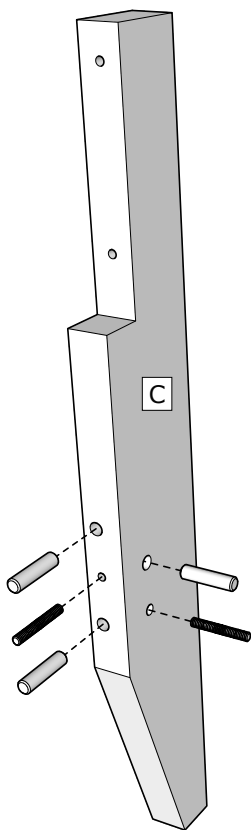


Note:
The Foot **I** must be in the right
position.

- Attach **I** to **H** with **N** , **S** , and **T** using a Hex key Wrench **Z** as shown.

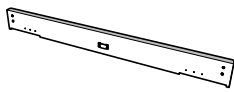


Bed Assembly Step 2

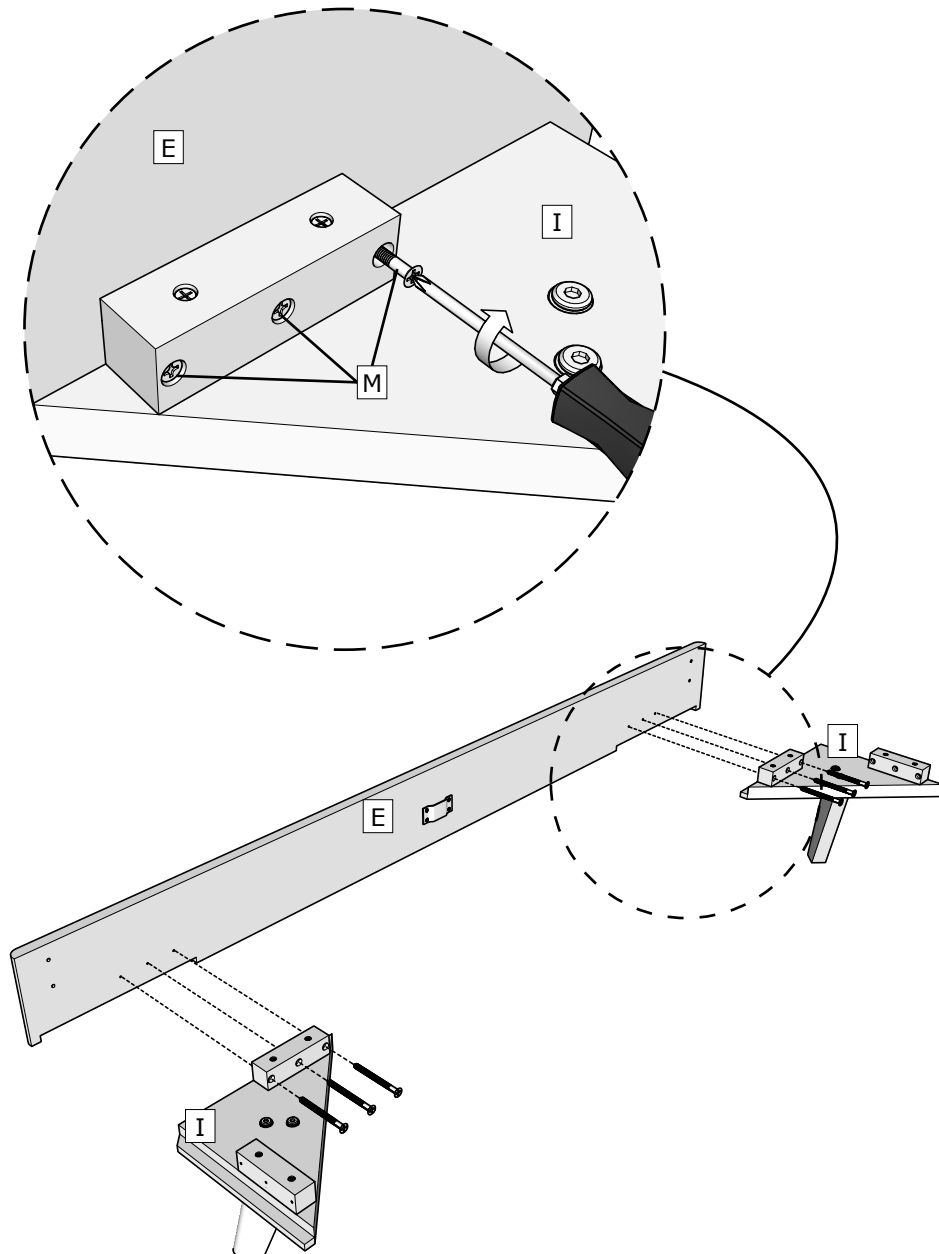
C Headboard Post Left x1 	D Headboard Post Right x1 	X Dowel x6 M10 x 40mm 	R Threaded Rod x4 M8 x 65mm 
---	--	--	---



- Insert **R** and **X** to **C** and **D** as shown.



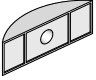
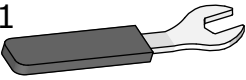
Bed Assembly Step 3

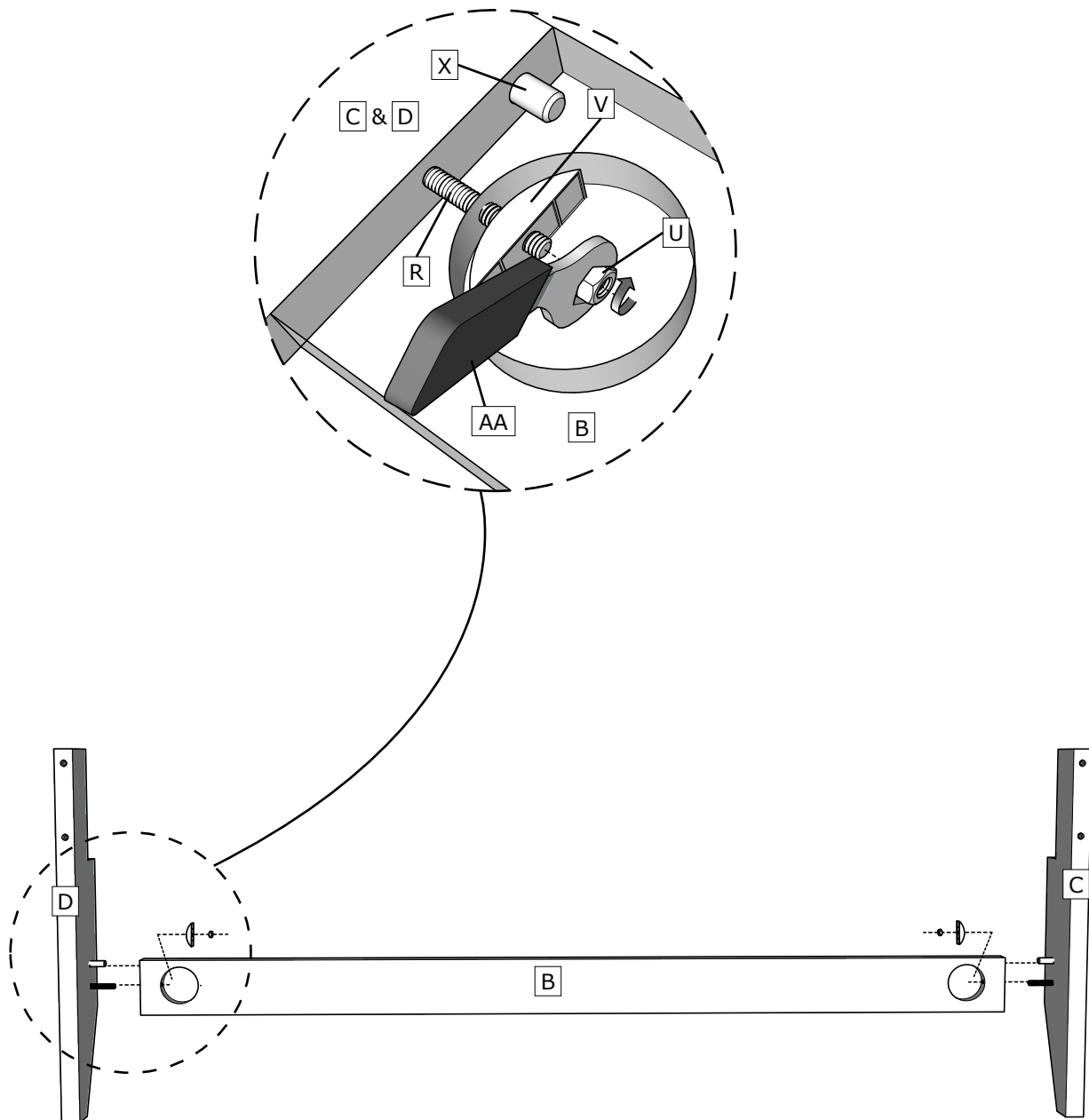
E Footboard x1 	M Screw x6  M4 x 32mm	Phillips Screwdriver  Not provided
---	--	--



- Attach Assembled Foot to **E** with **M** using a Phillips Screwdriver as shown.

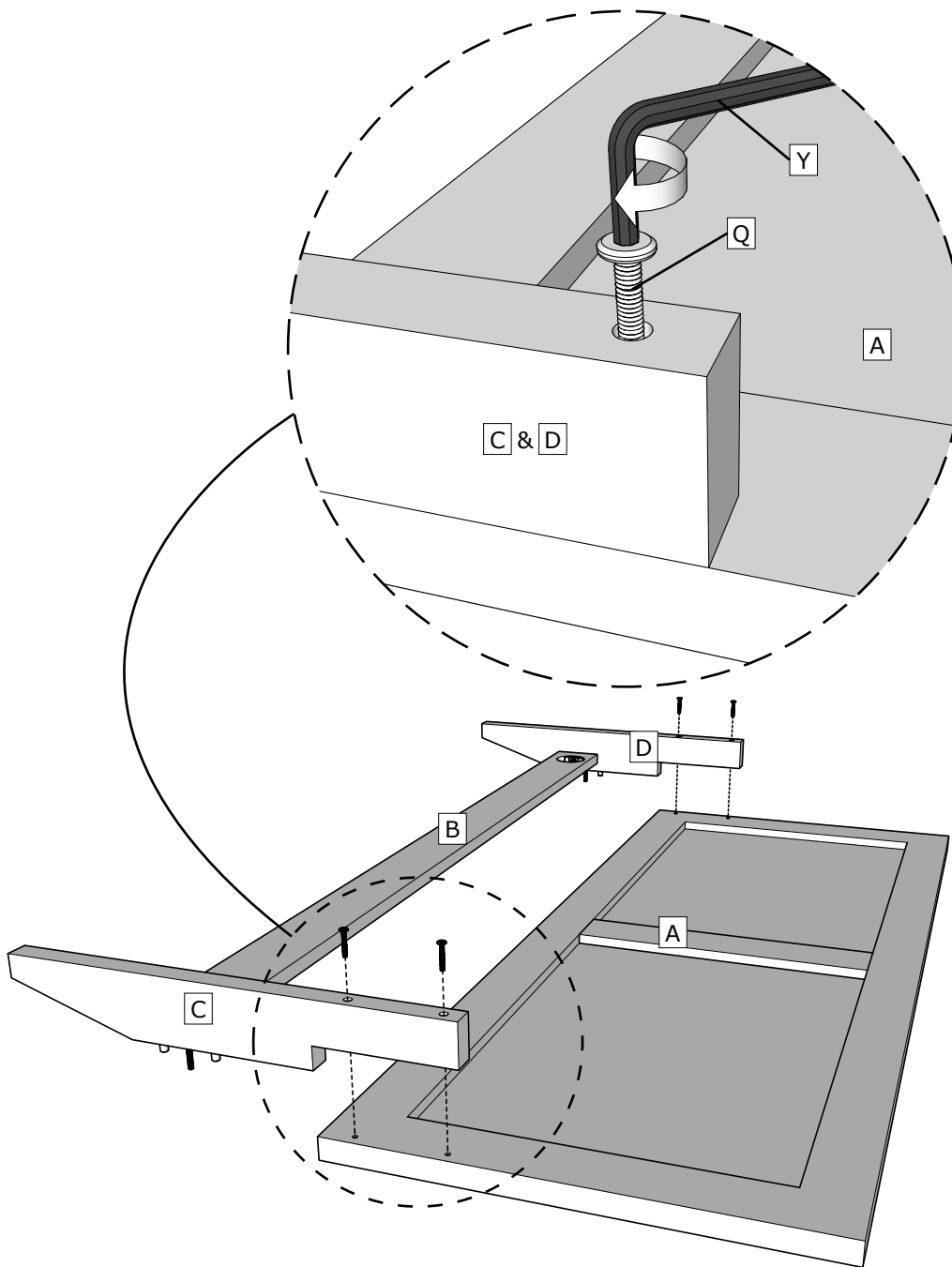
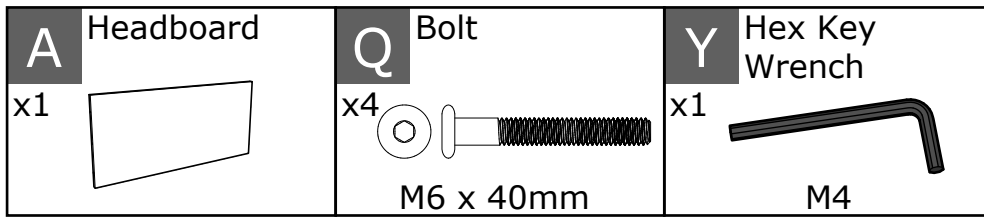
Bed Assembly Step 4

B Headboard Rail x1 	U Hex Nut x2  M8	V Half Moon Washer x2  M8 x 30mm	AA Open End Wrench x1  M8
---	--	---	---



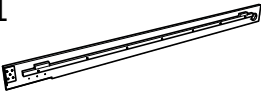
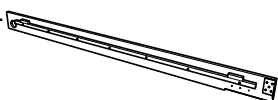
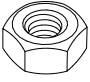
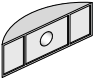
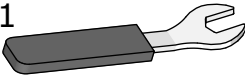
- Attach **B** to **C** and **D** with **U** and **V** using an Open End Wrench **AA** as shown.

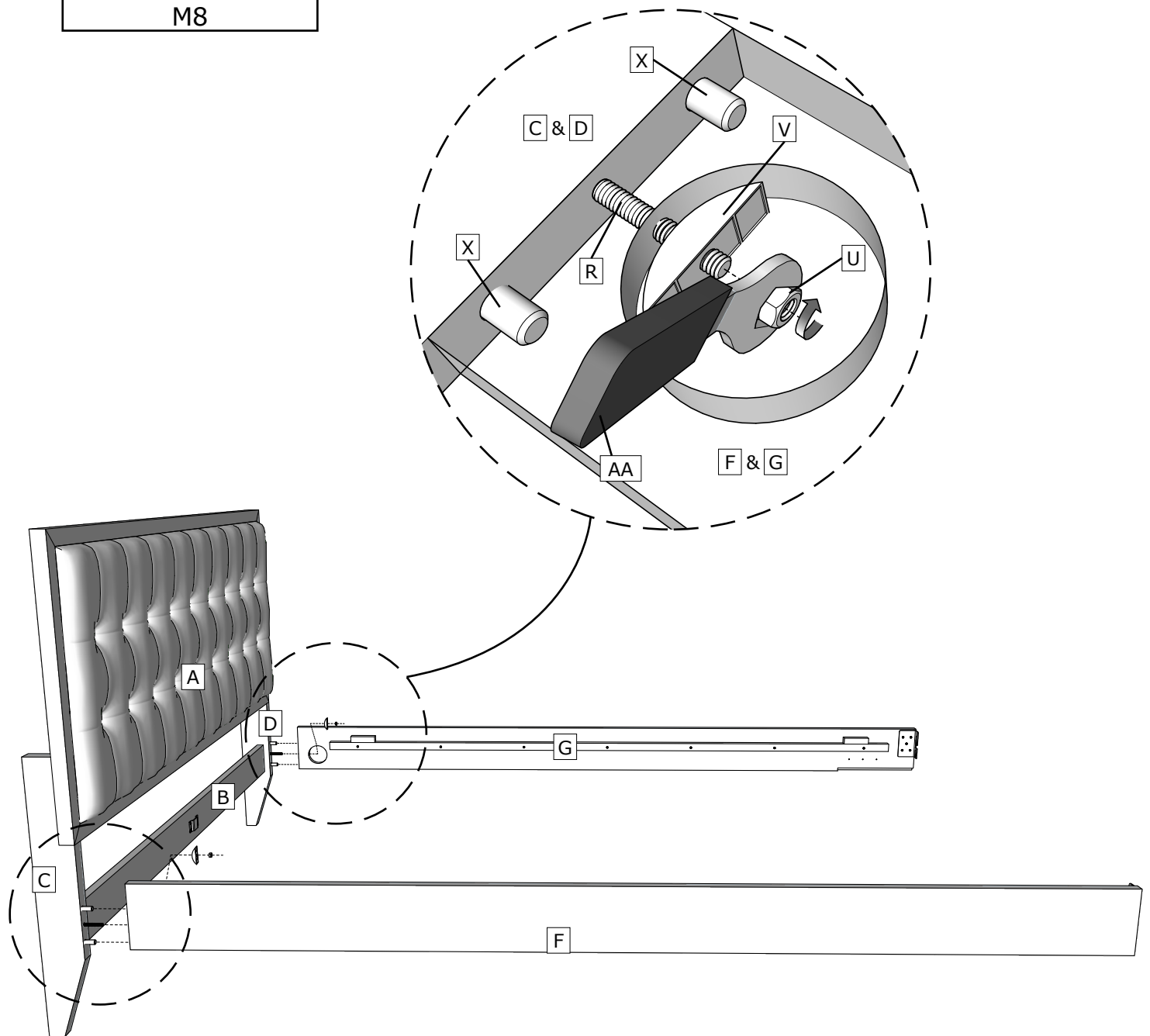
Bed Assembly Step 5



- Attach Assembled Headboard Feet to **A** with **Q** using a Hex Key Wrench **Y** as shown.

Bed Assembly Step 6

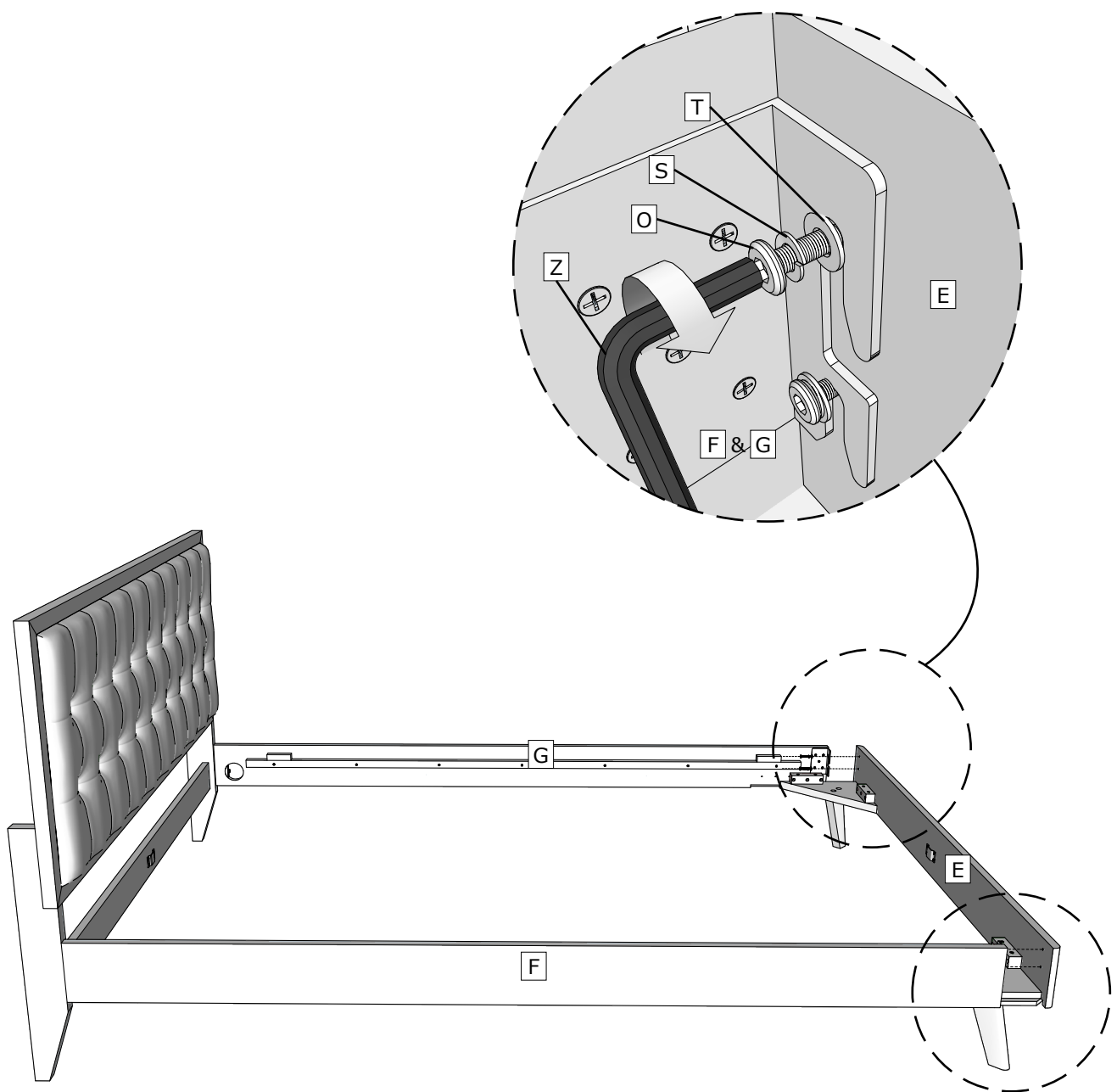
F Side Rail Left x1 	G Side Rail Right x1 	U Hex Nut x2  M8	V Half Moon Washer x2  M8 x 30mm
AA Open End Wrench x1  M8			



- Attach **F** and **G** to Assembled Headboard with **U** and **V** using an Open End Wrench **AA** as shown.



Bed Assembly Step 7

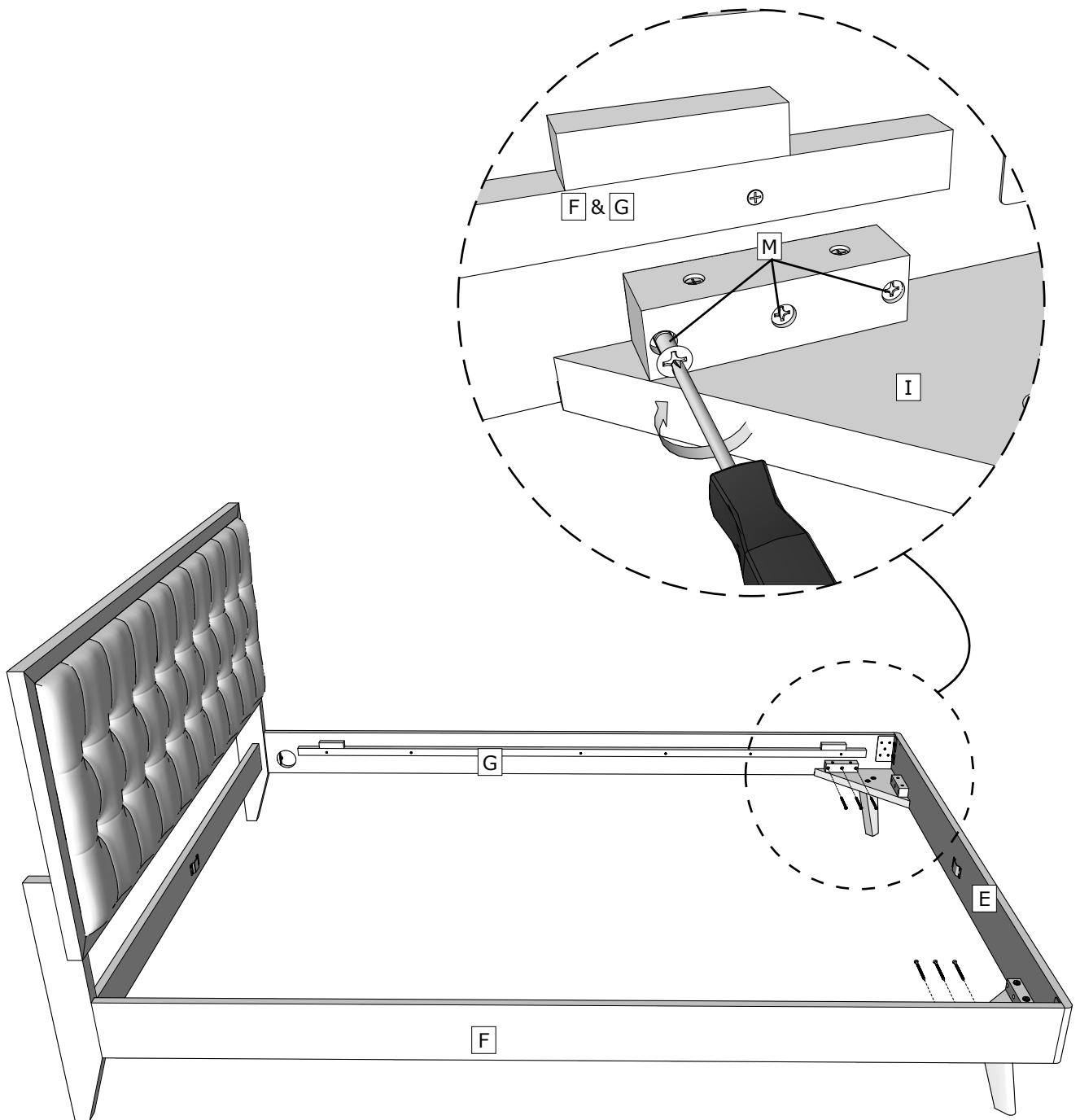
O Bolt x4 M8 x 20mm	S Spring Washer x4 M8	T Flat Washer x4 M8	Z Hex Key Wrench x1 M5
----------------------------------	------------------------------------	----------------------------------	-------------------------------------



- Attach Assembled Footboard to **F** and **G** with **O**, **S**, and **T** using a Hex Key Wrench **Z** as shown.



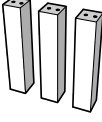
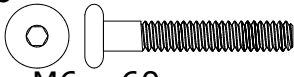
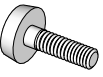

Bed Assembly Step 8

M Screw	Phillips Screwdriver
x6	
 M4 x 32mm	Not provided

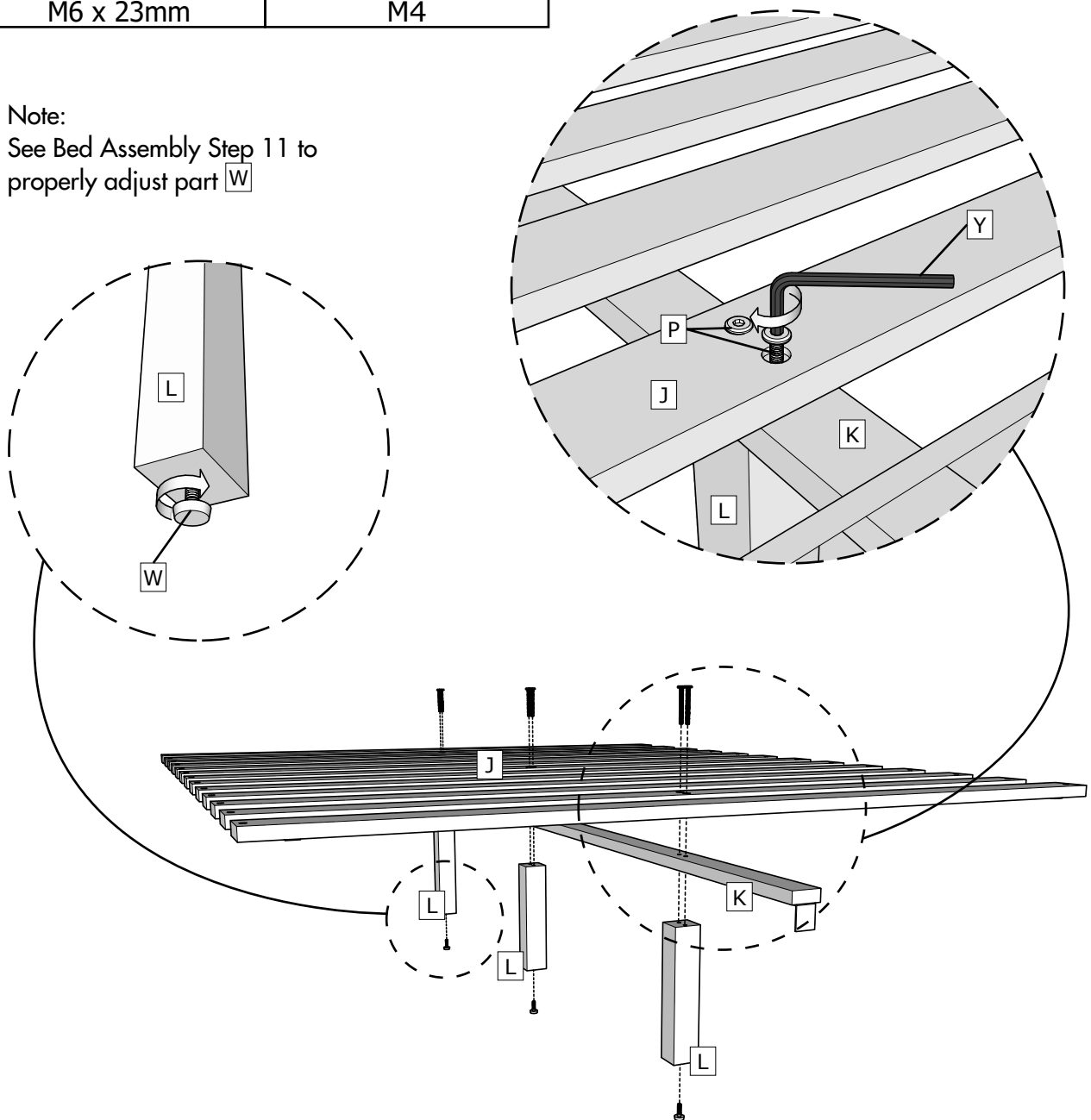


- Affix Assembled Foot to Assembled Bed with **M** using a Phillips Screwdriver as shown.

Bed Assembly Step 9



J Bed Slat x13 	K Slat Support x1 	L Support Leg x3 	P Bolt x6 M6 x 60mm 
W Adjustable Feet x3 M6 x 23mm 	Y Hex Key Wrench x1 M4 		

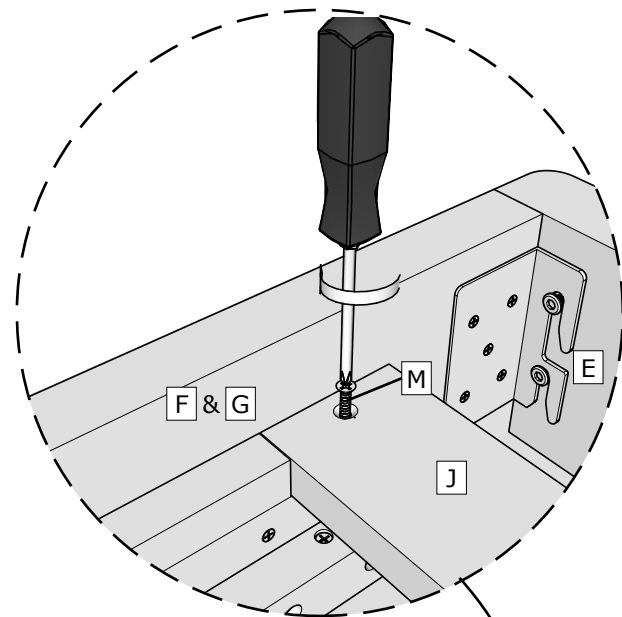
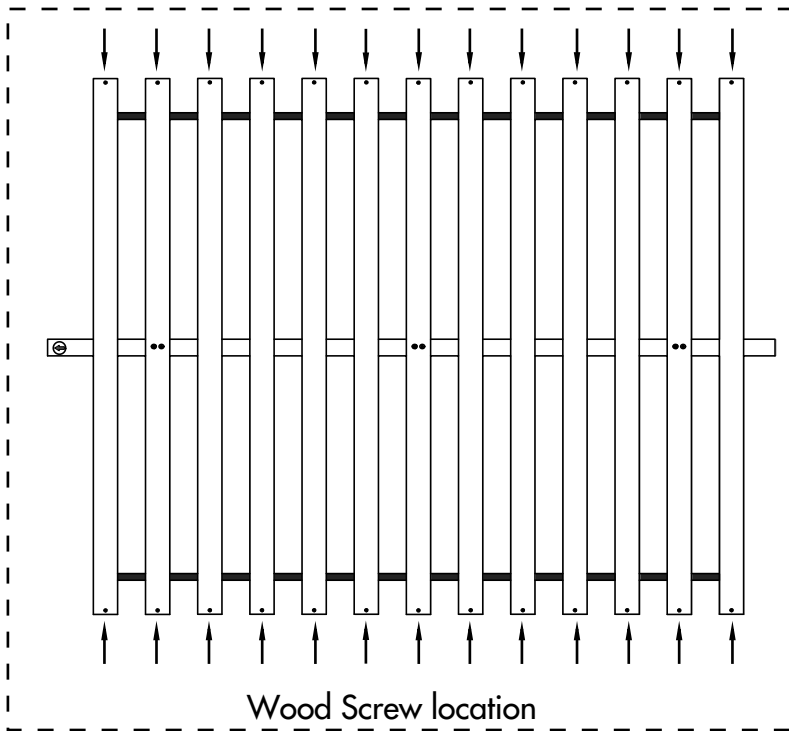
Note:
See Bed Assembly Step 11 to
properly adjust part **W**



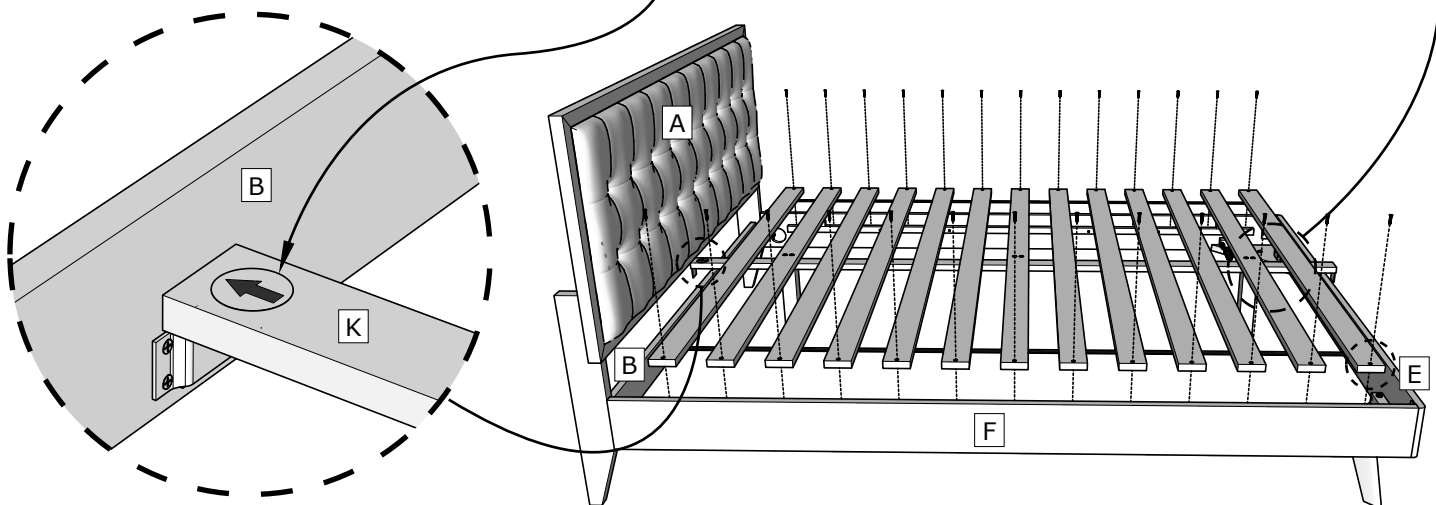
- Insert **W** into **L**.
- Attach **J** and **L** to **K** with **P** using a Hex Key Wrench **Y** as shown.

Bed Assembly Step 10

M Screw x26  M4 x 32mm	Phillips Screwdriver  Not provided
---	--

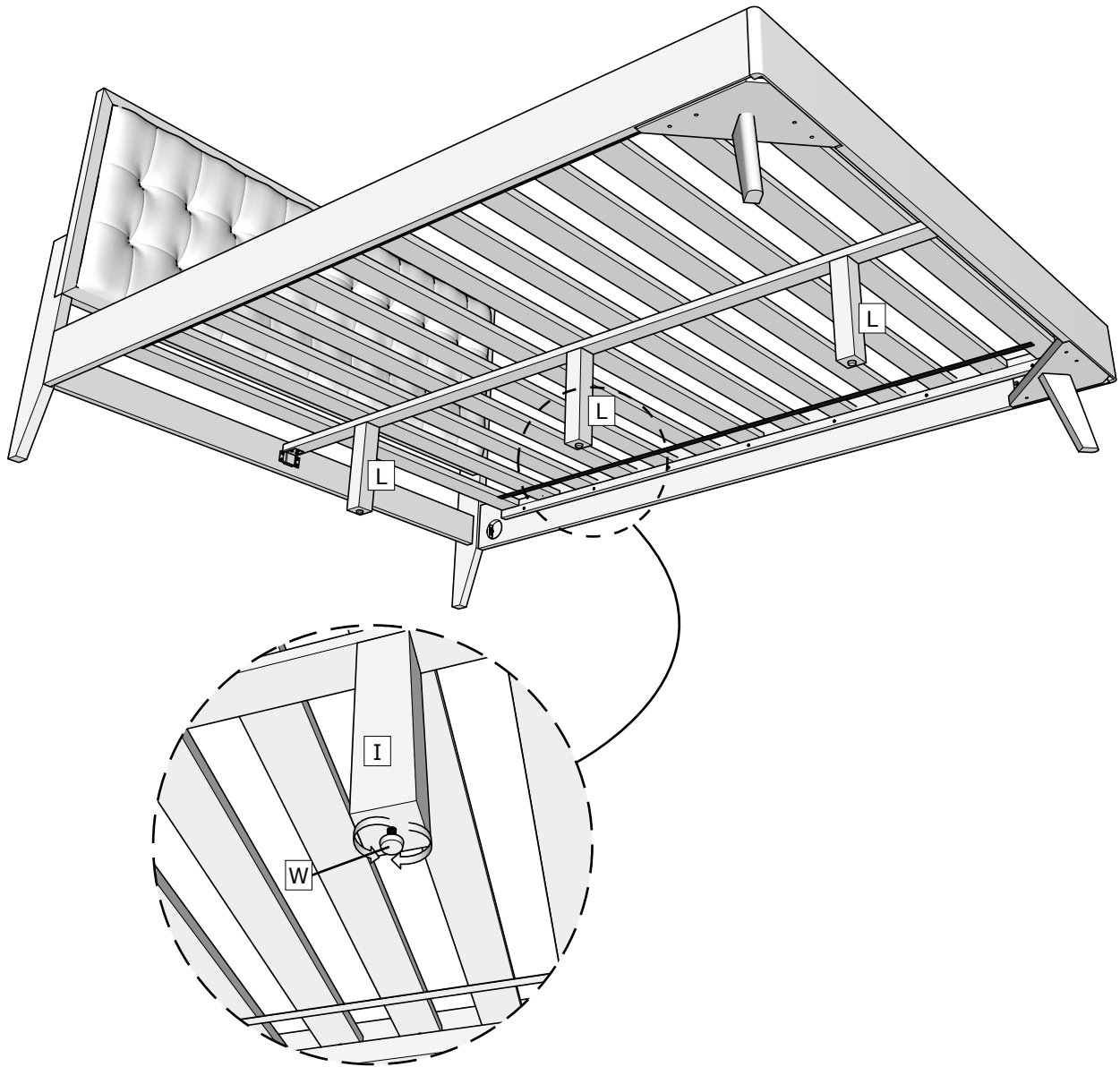


Note: The arrow mark found here indicates that this side should connect to the headboard side.



- Attach Assembled Bed Slat to Assembled Bed Frame with **M** using a Phillips Screwdriver as shown.

Bed Assembly Step 11



WARNING!

- Ensure the adjustable feet are perpendicular to the floor before using the bed. Rotate them clockwise or counterclockwise until firmly against the floor.

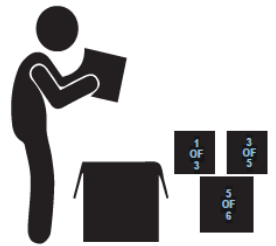
Note: *The adjustable feet rotate to fit the floor; one may need clockwise rotation while the other counterclockwise, depending on leveling and assembly.*

- Do not drag or push the bed frame. To ensure safe moving, always use two people to lift and re-position the bed frame. Avoid dragging or pushing it across the floor to prevent damage to the legs, slats, and center support legs.

FAQS FREQUENTLY ASKED QUESTIONS

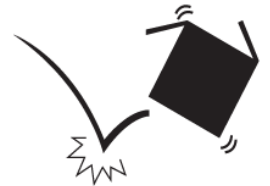
WHERE IS THE REST OF MY ORDER? THE PACKAGE I RECEIVED SAYS CARTON NO. 1 OF 3, CARTON NO. 3 OF 5, OR CARTON NO. 5 OF 6 ETC.

THE MARKETPLACE ONLY ALLOWS 1 TRACKING NUMBER TO BE UPLOADED IN THE SYSTEM. HOWEVER, THE PRODUCT IS SHIPPED IN MULTIPLE PACKAGES. YOU CAN CONFIRM THE NUMBER OF PACKAGES TO RECEIVE BY REFERRING TO THE CARTON NO. PRINTED ON THE PACKAGE THAT WAS DELIVERED TO YOU. FOR EXAMPLE, YOU RECEIVED 1 PACKAGE AND THE PACKAGE SHOWS CARTON NO. 1 OF 3, THEN CARTON NO. 2 OF 3 AND CARTON NO. 3 OF 3 IS IN TRANSIT TO YOU. THE REST OF THE PACKAGES CAN BE DELIVERED WITHIN THE SAME DAY AS THE FIRST PACKAGE OR WITHIN A FEW DAYS. ONCE THE ORDER IS SHIPPED CONFIRMED, OUR TEAM WILL SEND YOU A MESSAGE TO PROVIDE YOU WITH ALL THE TRACKING NUMBER THAT COMPLETES YOUR ORDER. IF YOU DID NOT RECEIVE THIS MESSAGE, PLEASE CHECK YOUR EMAIL'S SPAM FOLDER, OR LOG INTO THE MARKETPLACE ACCOUNT AND SEND US A MESSAGE.



MY ORDER IS DAMAGED, WHAT DO I DO?

CONTACT US INCLUDE THE ORDER NUMBER AND ATTACH APPLICABLE IMAGES TO EXPEDITE THE CLAIM AND ENSURE OUR TEAM WILL PROVIDE THE APPROPRIATE RESOLUTION



I TRACKED THE PACKAGE AND IT SHOWS MY PACKAGE WAS DELIVERED, BUT I NEVER RECEIVED THE PACKAGE. I DOUBLE CHECKED WITH MY FAMILY MEMBER AND NEIGHBOR; THEY DO NOT HAVE THE PACKAGE. WHAT DO I DO?
CONTACT US INCLUDE THE ORDER NUMBER AND LET US KNOW WHICH CARTON NUMBER OR TRACKING NUMBER YOU DID NOT RECEIVE, AND A TEAM MEMBER WILL REPLY TO YOUR MESSAGE ACCORDINGLY.



LOVE THE PRODUCT?

LOG INTO THE MARKETPLACE YOU MADE THE ORDER AND SHARE YOUR EXPERIENCE WITH THE PRODUCT AND WHAT YOU LIKE MOST ABOUT IT. ELEVATE THE PRODUCT REVIEW BY INCLUDING IMAGES OF THE PRODUCT TO SHARE WITH EVERYONE.

