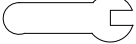

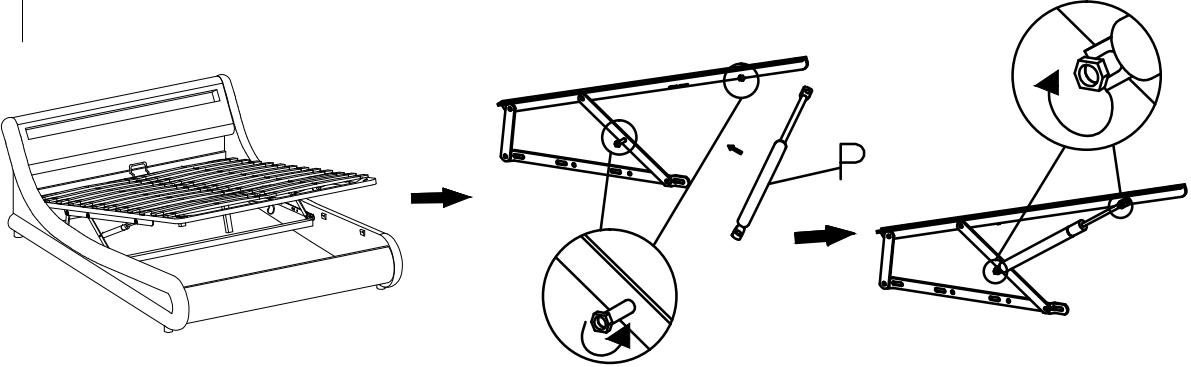

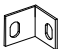
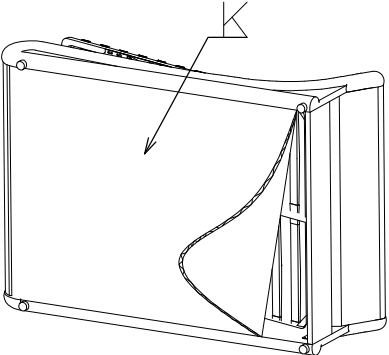

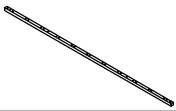
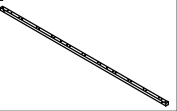
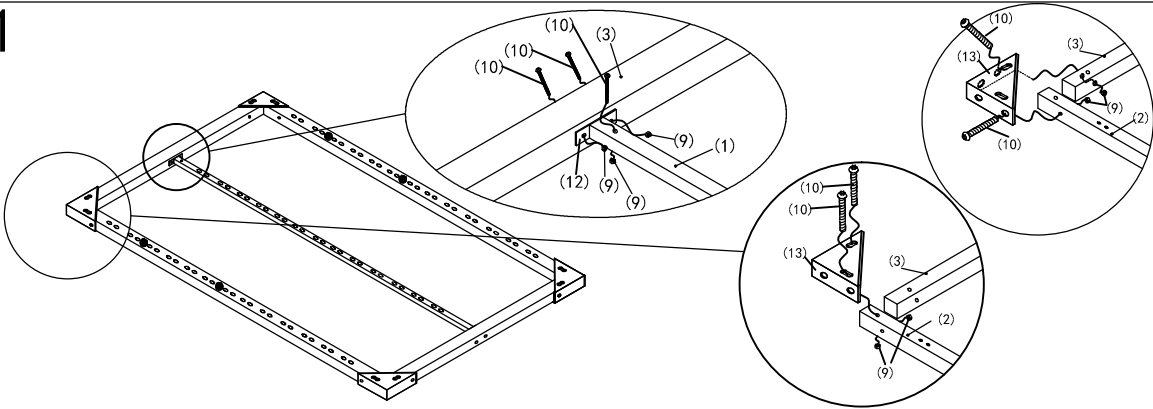
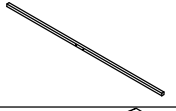

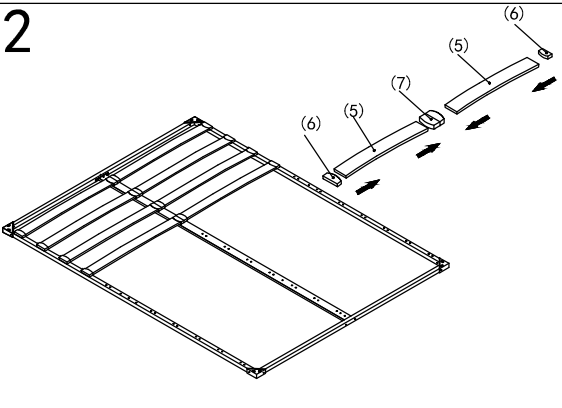
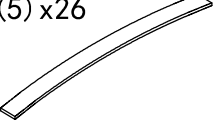
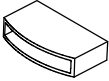
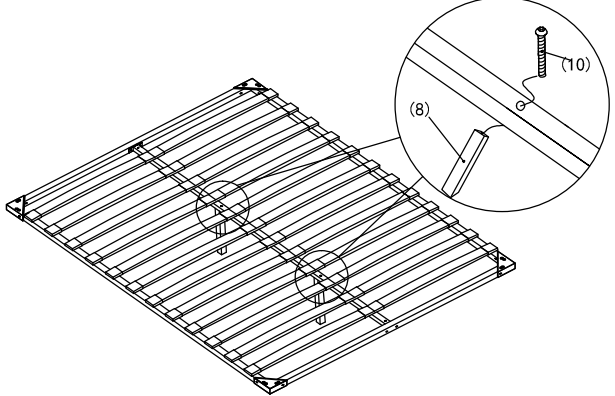
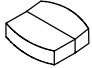

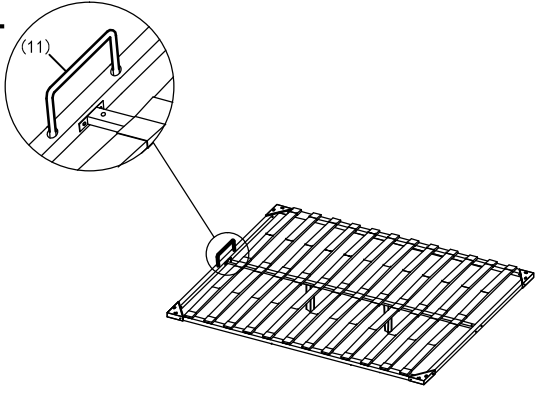

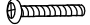

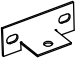


<p>Ux1</p> 	<p>Vx2</p> 	<p>11</p> 			
<p>Wx18</p>  <p>(3*20)</p>	<p>Xx2</p> 			<p>12</p> 	
<p>Yx1</p> 					

(1) x1 	(2) x2 	1 					
(3) x2 	(4) x1 			2 			
(5) x26 	(6) x26 					3 	
(7) x13 	(8) x2 	4 					
(9) x22 	(10) x24 (8*40) 						
(11) x1 	(12) x2 						
(13) x4 