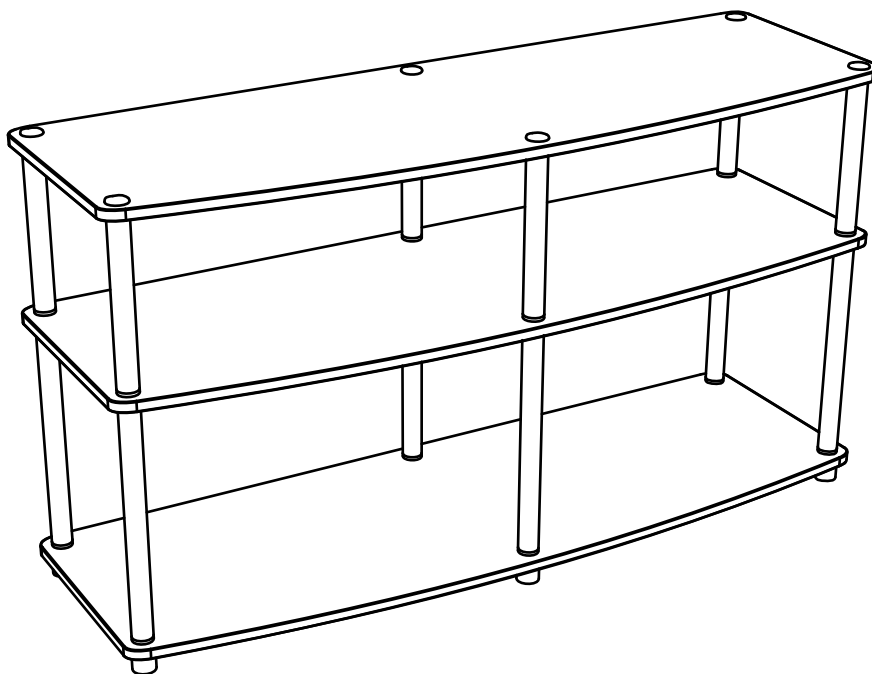


## 3 TIER 60 INCH TV STAND



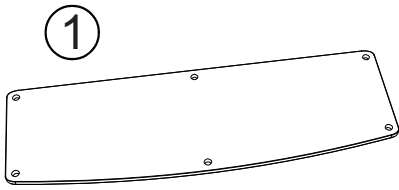
### **ASSEMBLY INSTRUCTIONS**

---

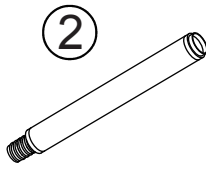
We have designed our furniture with you , the customer in mind . Our clear , easy to follow , step by step instructions will guide you through the project from start to finish . Feel confident that this will be a fun and rewarding project . The final product will be a quality piece of furniture that will go together smoothly and give years of enjoyment .

---

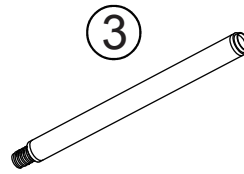
## Hardware List



Panel (3pcs)



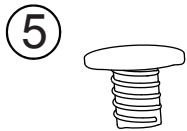
Short Pole (6pcs)



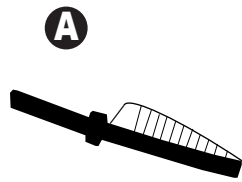
Long Pole (6pcs)



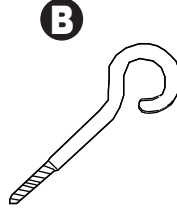
Plastic Feet (6pcs)



Cap (6pcs)



Cable tie (2 pcs)

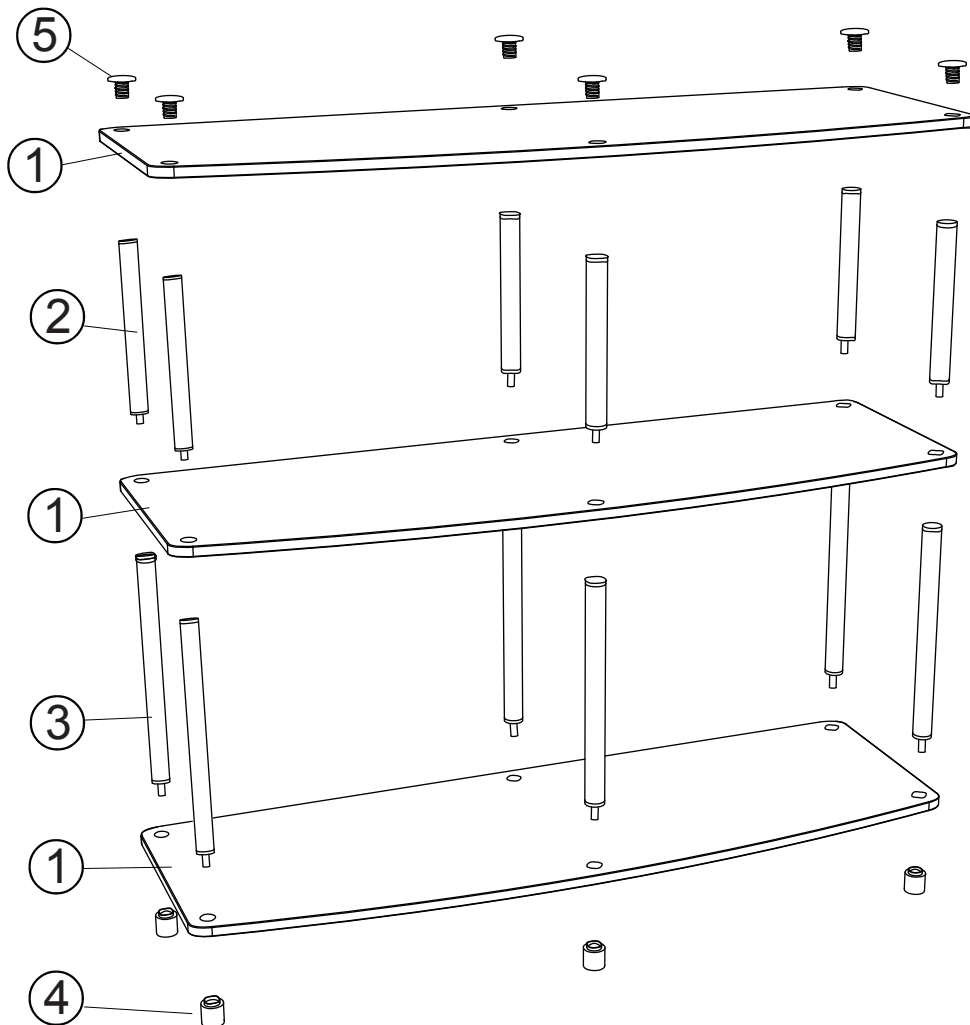


Eyelet Screw (2 pcs)



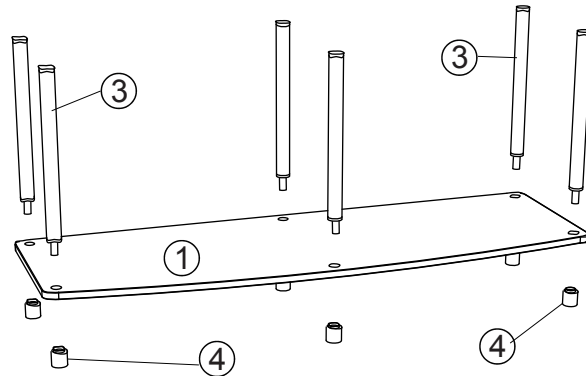
Anchor (2 pcs)

## Exploded Views



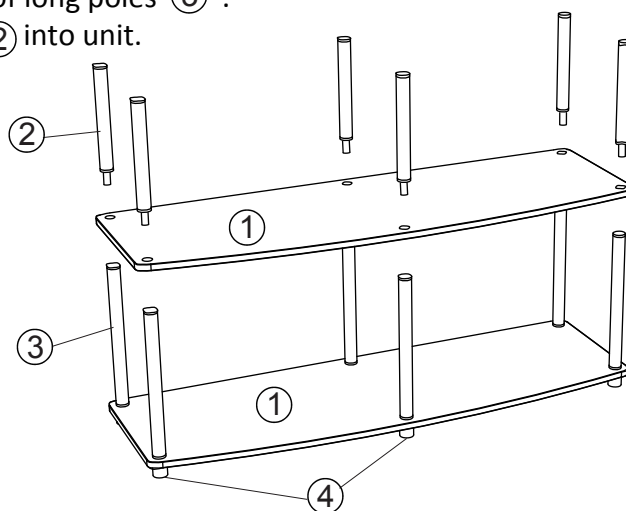
## Step 1

1. Put 1st panel ① on top of plastic feet ④ .
2. Gently screw long poles ③ into plastic feet ④ using care not to overtighten.



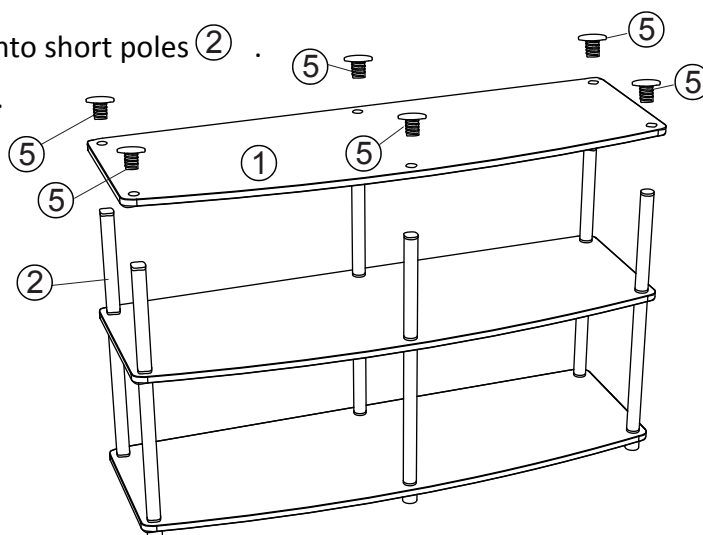
## Step 2

1. Put 2nd panel ① on top of long poles ③ .
2. Gently screw short poles ② into unit.



## Step 3

1. Place 3rd top panel ① onto short poles ② .
2. Screw caps ⑤ onto unit.



## Step 1

1. Drill holes slightly smaller than anchors (C) into drywall and gently tap anchors into holes.
2. Insert eyelet screws (B) into anchors and fasten unit to wall using cable ties (A).

