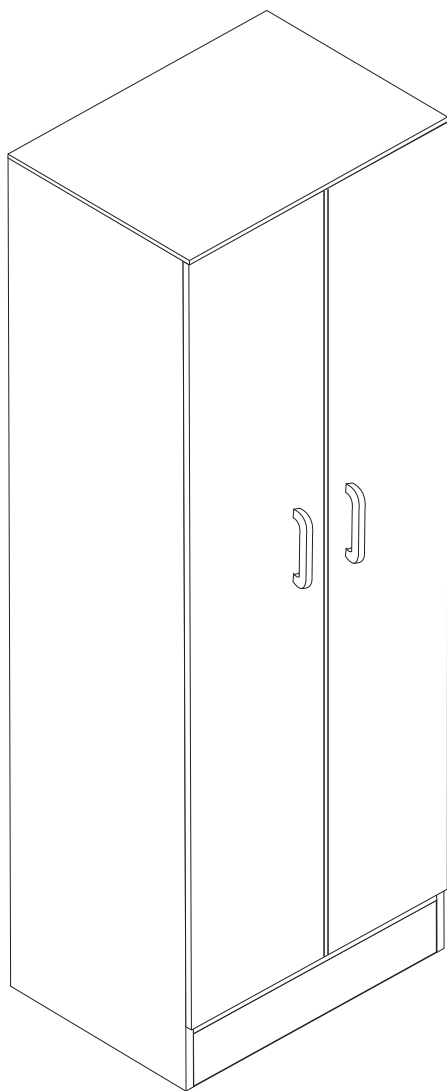
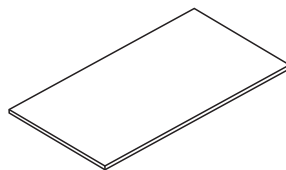


# ASSEMBLY INSTRUCTION

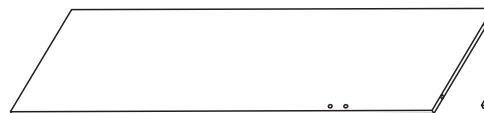
LQ1



It is recommended to put the frame down for assembly



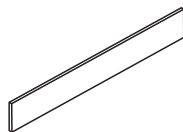
① = 2PCS



② = 2PCS



③ = 2PCS



④ = 3PCS



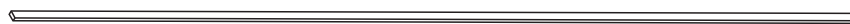
⑤ = 2PCS



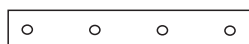
⑥ = 1PC



⑦ = 2PCS



⑧ = 1PC



⑨ = 1PC



⑩ = 1PC



Ⓐ = 4PCS



Ⓑ = 2PCS



Ⓒ = 62PCS



Ⓓ = 4PCS



Ⓔ = 28PCS



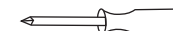
Ⓕ = 8PCS



Ⓖ = 28PCS



Ⓗ = 4PCS



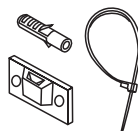
Ⓘ = 1PC



Ⓙ = 60PCS



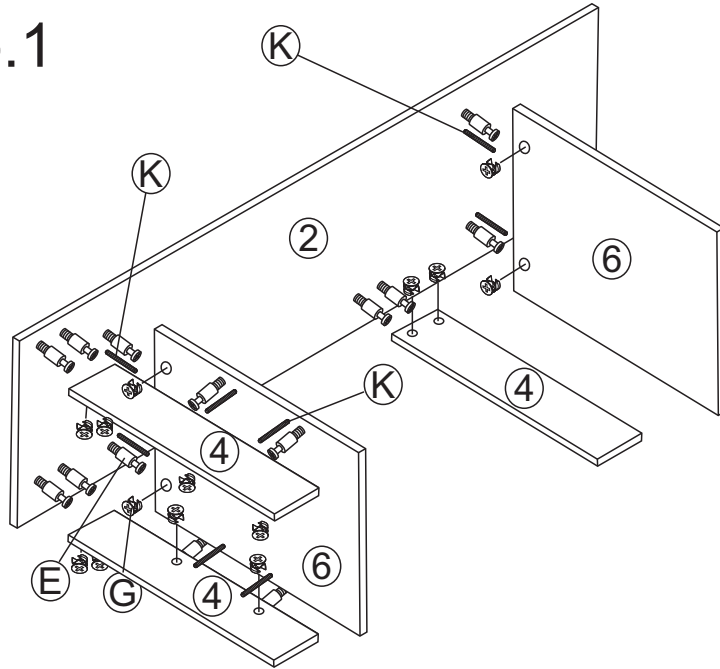
Ⓚ = 16PCS



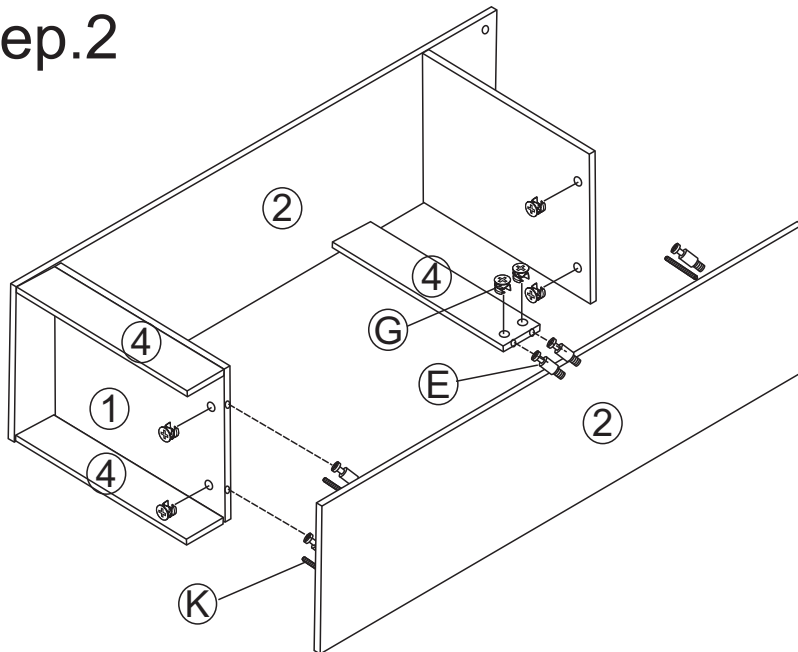
Ⓛ = 2PCS

LQ1

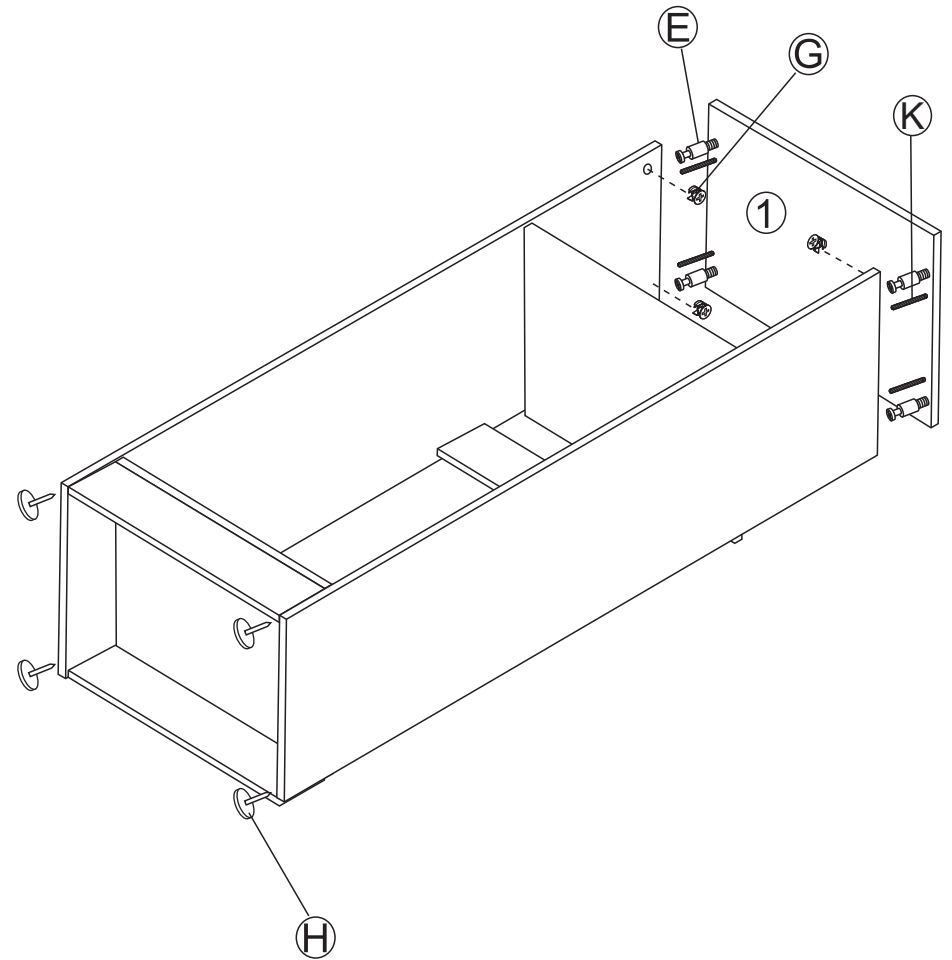
Step.1



Step.2

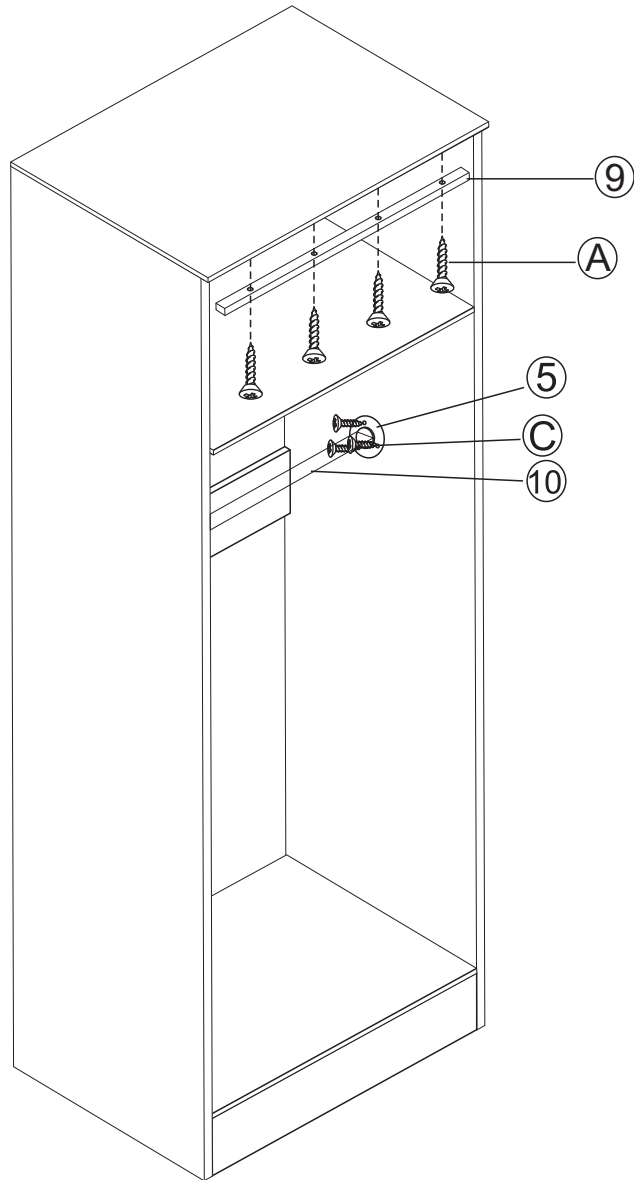


Step.3

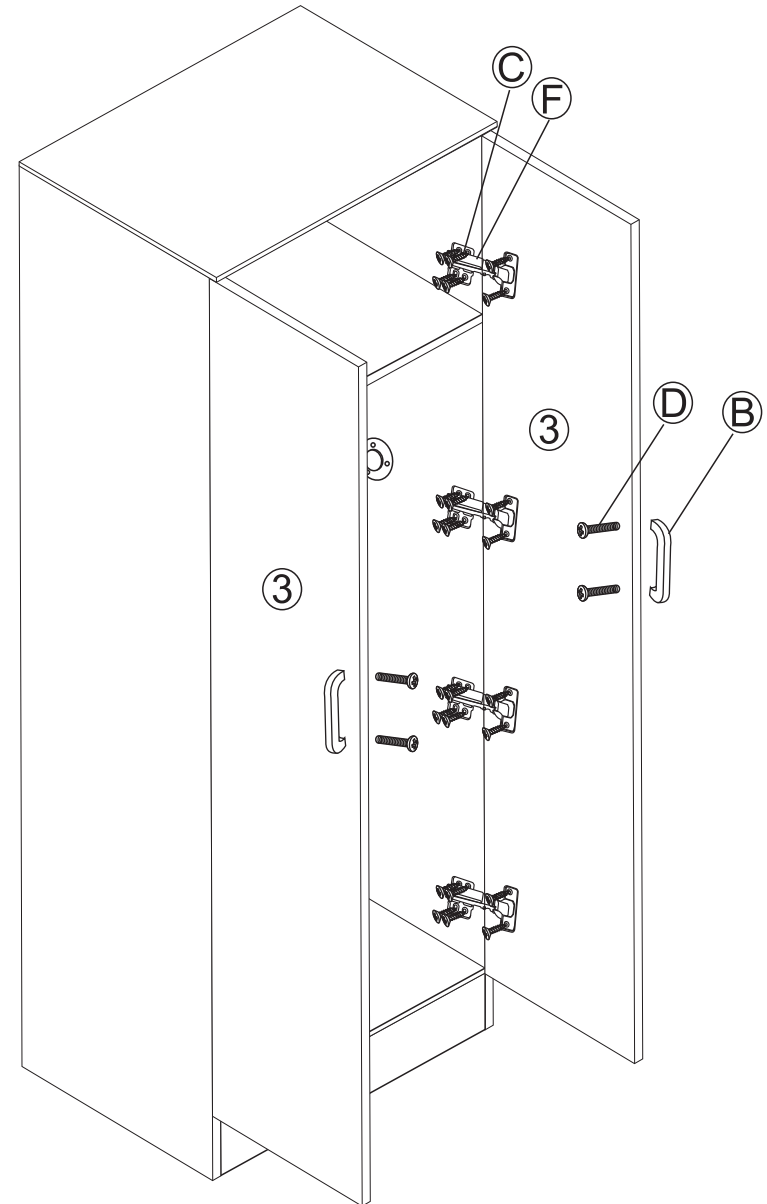


LQ1

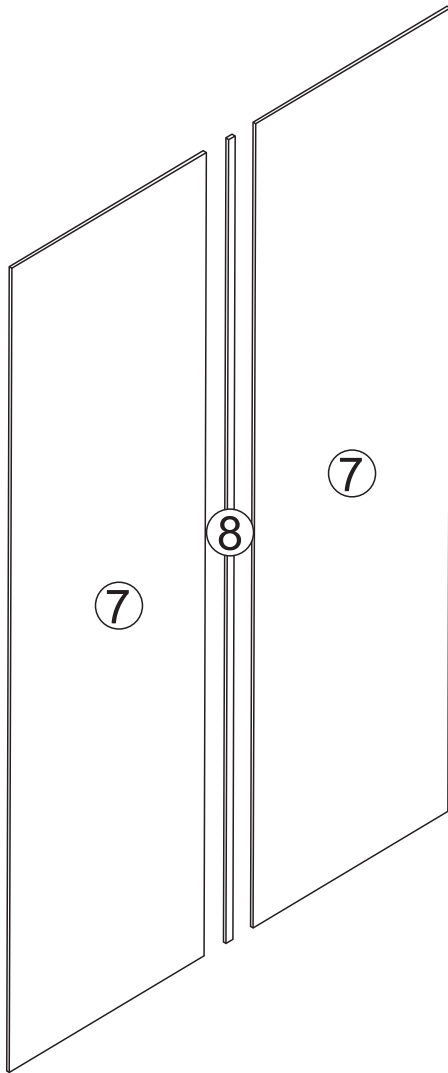
### Step.4



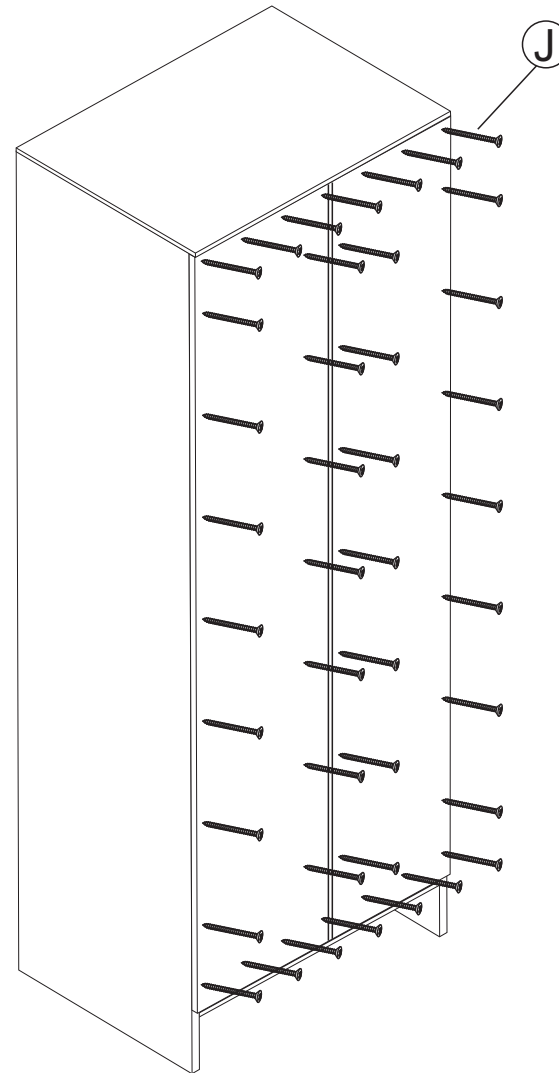
### Step.5



Step.6

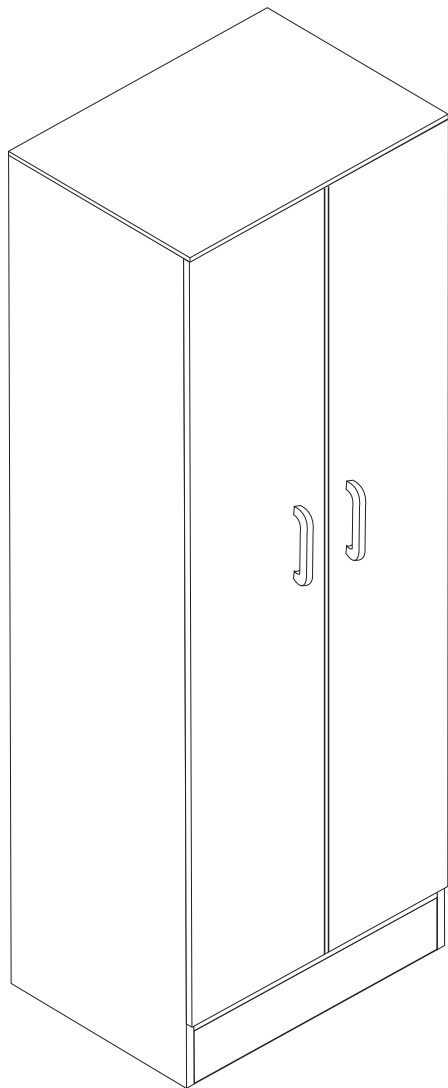


Step.7



LQ1

Step.8



Step.9

