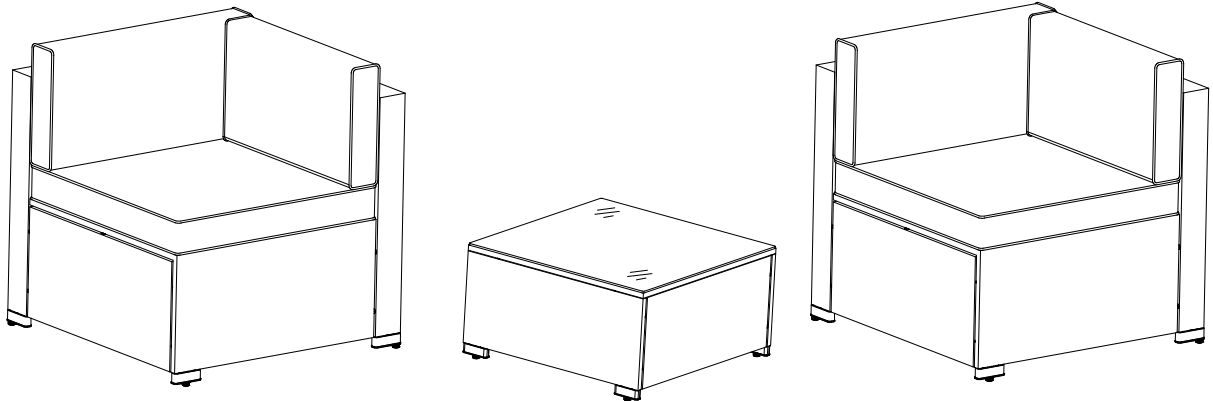
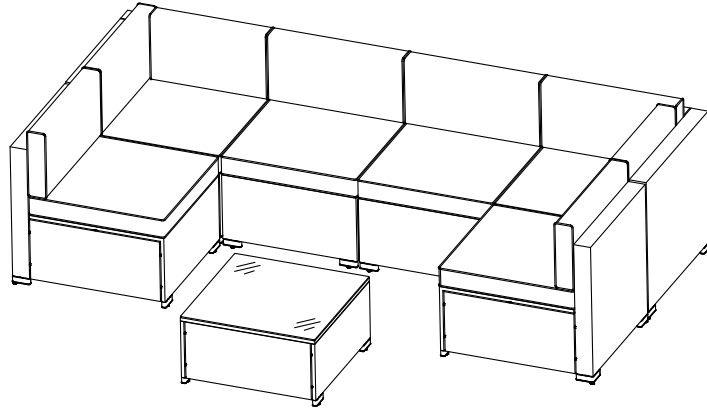
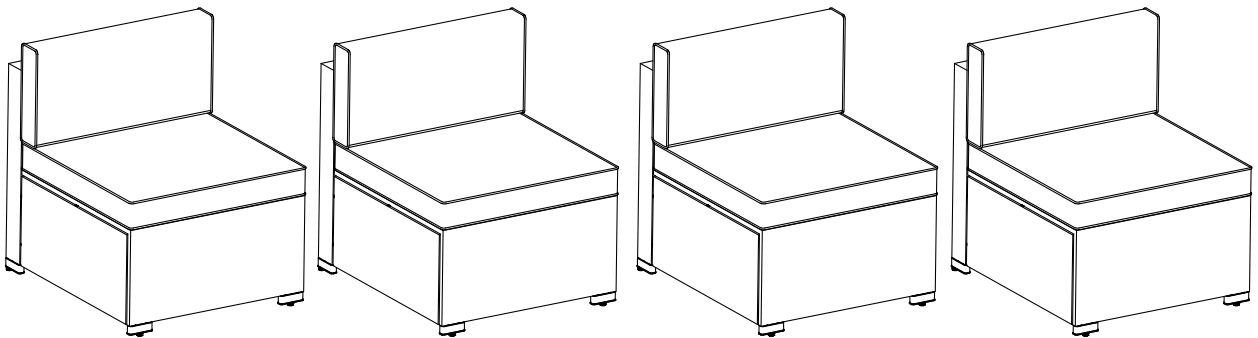


Tips: Don't tighten every screw until you get them all started in any one area.

7-Piece Wicker Full-Back Sectional Sofa

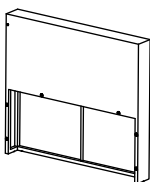
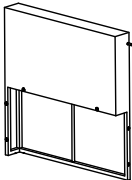
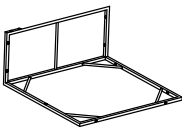
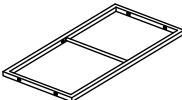







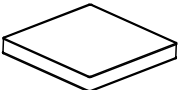
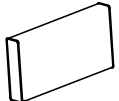
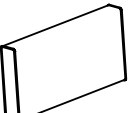


CARTON 1/2

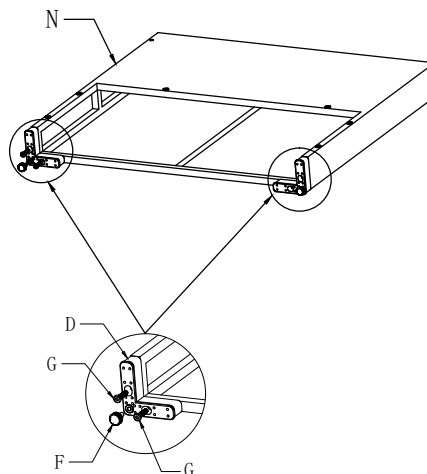


CARTON 2/2

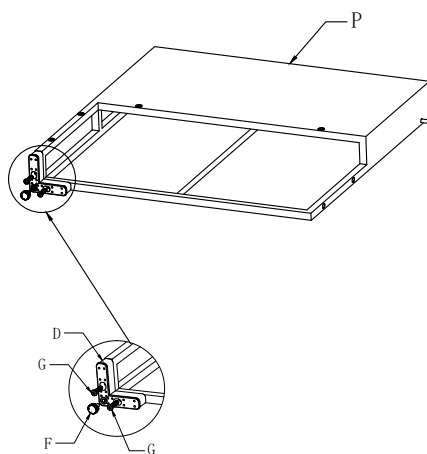
Tips: Don't tighten every screw until you get them all started in any one area.

Item no.	Reference Image	Description	Qty.
N		Seat Back	1
P		Arm Rest	1
Q		Seat Base	1
C		Side Panels	1
D		Figure-7 Bright Foot	3
E		Figure-1 Bright Foot	1
F		Adjustable Foot Pad	4
G	 M6*25	Socket Head Cap Screw	8
H	 M6*32	Socket Head Cap Screw	13
J		Flat Washer	13
K		4-mm All key	1
L		Seat cushion	1
M		Corner cushion	1
R		Back cushion	1

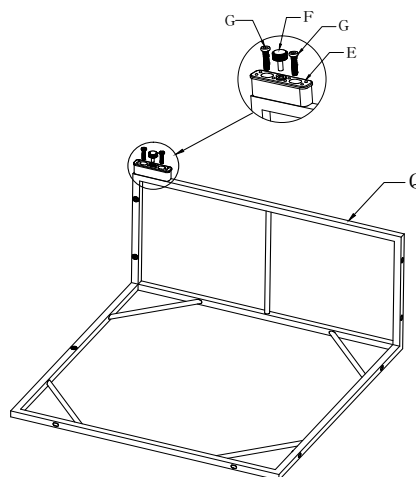
Step 1: Connect the figure-7 bright foot (D) to the seat back (N) and the adjustable foot pad (F) to the figure-7 bright foot (D) with the M6x25 socket head cap screw (G) in two places.



Step 2: Connect the figure-7 bright foot (D) to the Arm Rest (P) and the adjustable foot pad (F) to the figure-7 bright foot (D) with the M6x25 socket head cap screw (G).

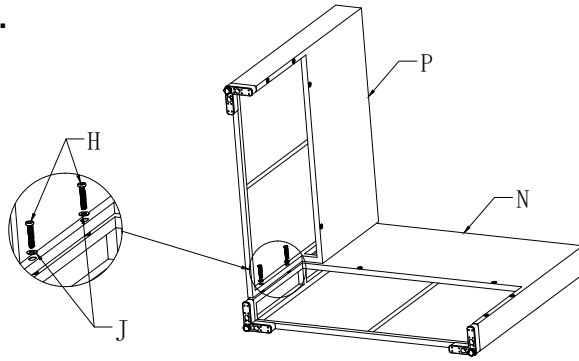


Step 3: Connect the figure-1 bright foot (E) to the seat base (Q) and the adjustable foot pad (F) to the figure-1 bright foot (E) using the M6x25 socket head cap screw (G).

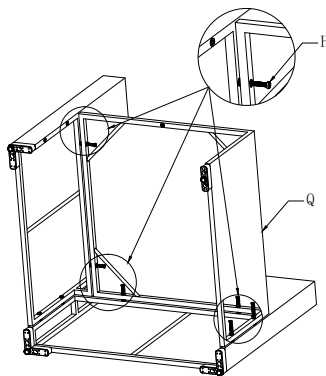


Tips: Don't tighten every screw until you get them all started in any one area.

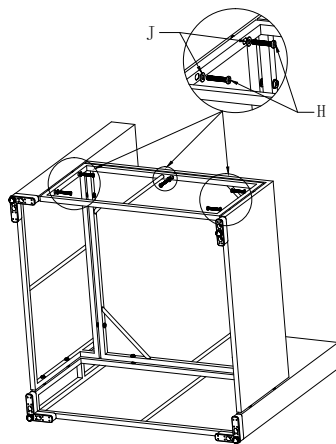
Step 4: Attach armrest (P) to seat back (N) with M6x32 socket head cap screw (H) and flat washer (J), in two places.



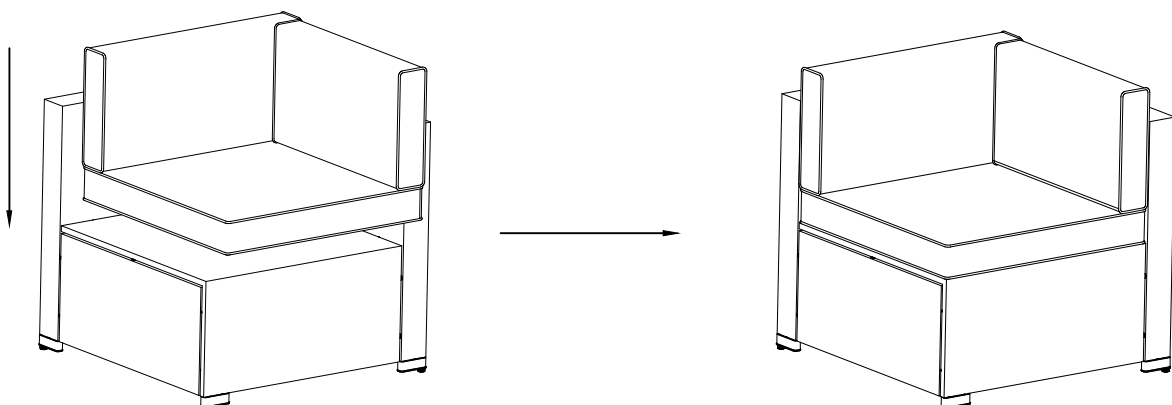
Step 5: Connect the seat base (Q) to the Arm Rest (P) and seat back (N) using the M6x32 socket head cap screws (H). It's done in three places.



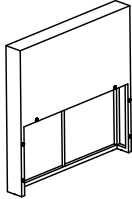
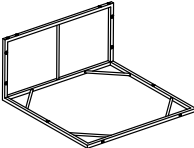
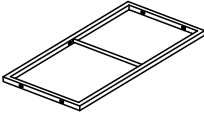







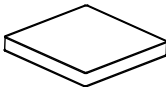
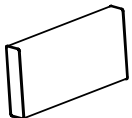
Step 6: Attach the side panels (C) to the seat base (Q) and arm rest (P) using the M6x32 socket head cap screws (H) and flat washers (J), in three places.



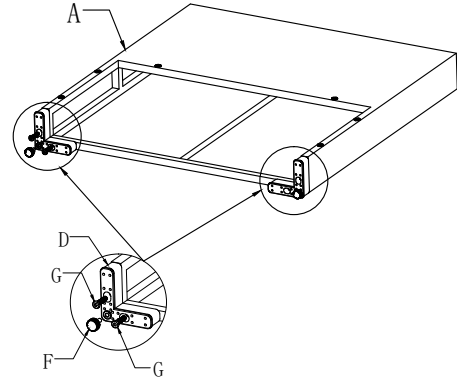
Step 7: Place the seat cushion (L), corner cushion (M), and back cushion (R) on the seat.



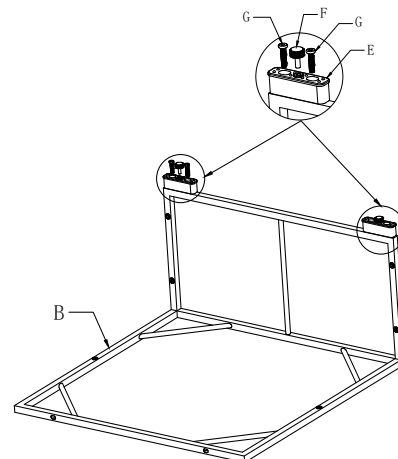
Tips: Don't tighten every screw until you get them all started in any one area.

Item no.	Reference Image	Description	Qty.
A		Seat Back	1
B		Seat Base	1
C		Side Panels	2
D		Figure-7 Bright Foot	2
E		Figure-1 Bright Foot	2
F		Adjustable Foot Pad	4
G	 M6*25	Socket Head Cap Screw	8
H	 M6*32	Socket Head Cap Screw	12
J		Flat Washer	12
K		4-mm Allen key	1
L		Seat cushion	1
M		Back cushion	1

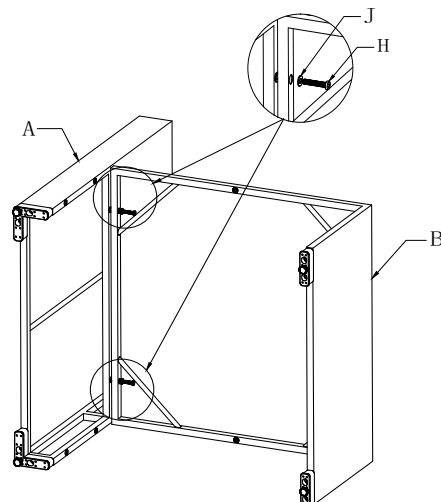
Step 1: Connect the figure-7 bright foot (D) to the bottom of the seat back (A) with the M6x25 socket head cap screw (G) and the adjustable foot pad (F) to the figure-7 bright foot (D) in two places.



Step 2: Connect the figure-1 bright foot (E) to the seat base (B) and the adjustable foot pad (F) to the figure-1 bright foot (E) using the M6x25 socket head cap screw (G) in two places.

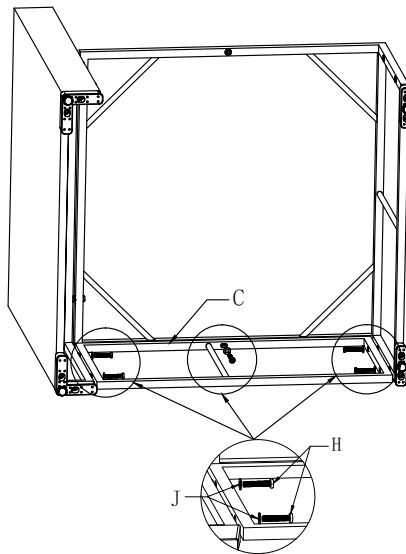


Step 3: Connect the seat base (B) to the armrest (A) using the M6x32 socket head cap screw (H) and flat washer (J), operating in two places.

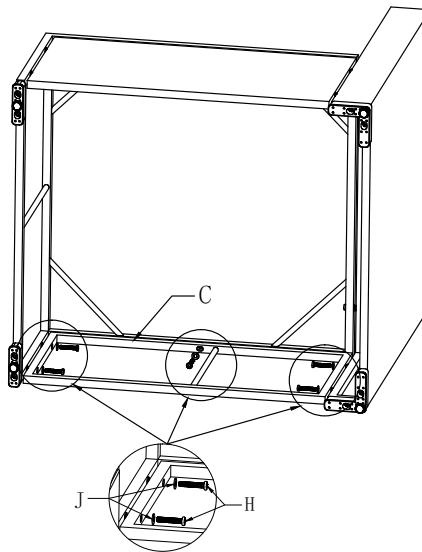


Tips: Don't tighten every screw until you get them all started in any one area.

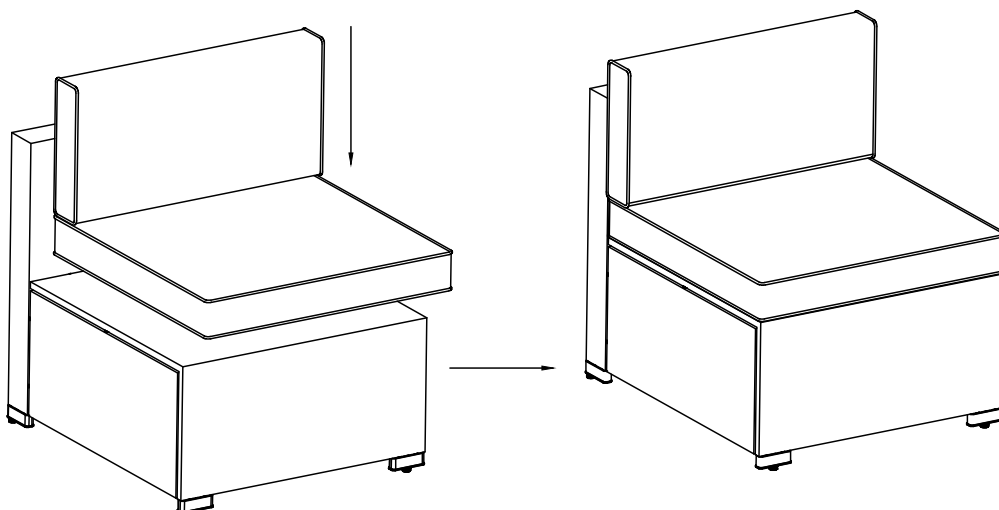
Step 4: Attach the side panel (C) to the seat base (Q) and armrest (P) using the M6x32 socket head cap screws (H) and flat washers (J), in three places.



Step 5: Attach the side panel (C) to the seat base (Q) and armrest (P) using the M6x32 socket head cover screws (H) and flat washers (J), in three places.



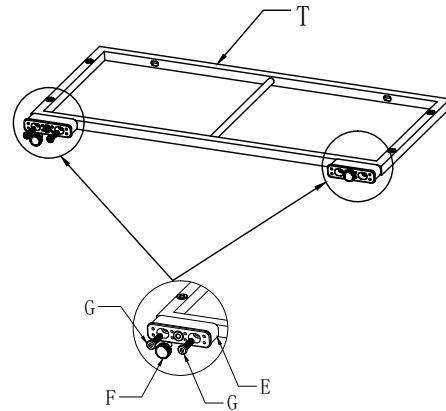
Step 6: Place the seat cushion (L) and back cushion (M) on the seat.



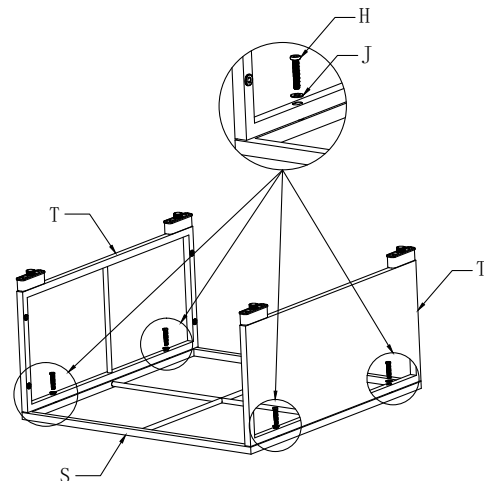
Tips: Don't tighten every screw until you get them all started in any one area.

Item no.	Reference Image	Description	Qty.
S		Table Top	1
T		Side Panels	2
U		Side Panels	2
V		Glass Top	1
E		Figure-1 Bright Foot	4
F		Adjustable Foot Pad	4
G	 M6*25	Socket Head Cap Screw	8
H	 M6*32	Socket Head Cap Screw	12
J		Flat Washer	12
K		4-mm Allen key	1
Z		plastic clips	10

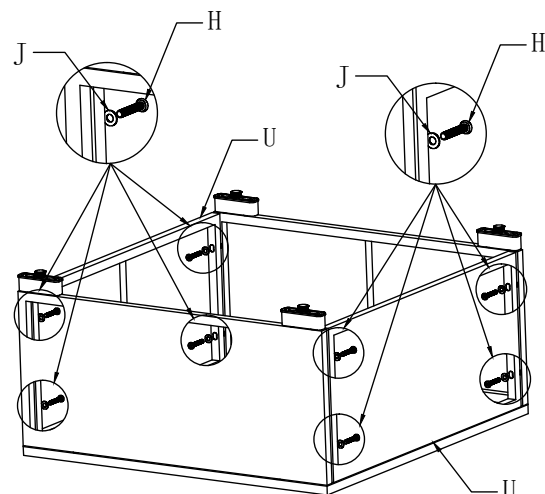
Step 1: Connect the figure-1 bright foot (F) to the side panel (T) and the adjustable foot pad (F) to the figure-1 bright foot (E) with the M6x25 socket head cap screw (G) in two places.



Step 2: Attach the side panel (T) to the end table top (S) using the M6x32 socket head cap screw (H) and flat washer (J), in four places.

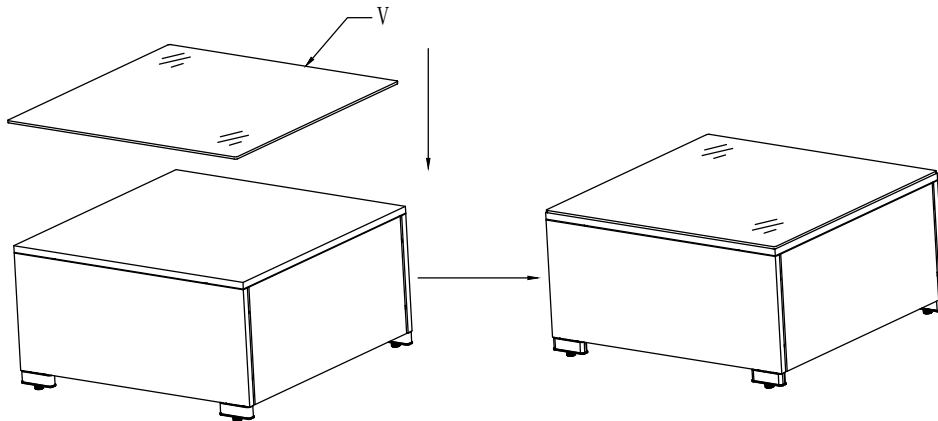


Step 3: Use M6x32 socket head cap screws (H) and flat washers (J) to connect the side panel (U) to the end table top (S) and measuring baffle (T) in eight places.

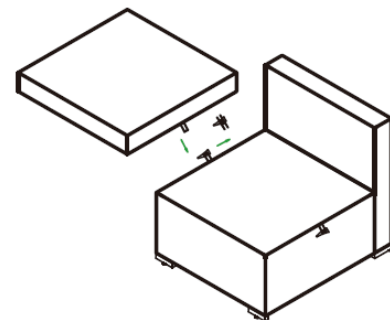
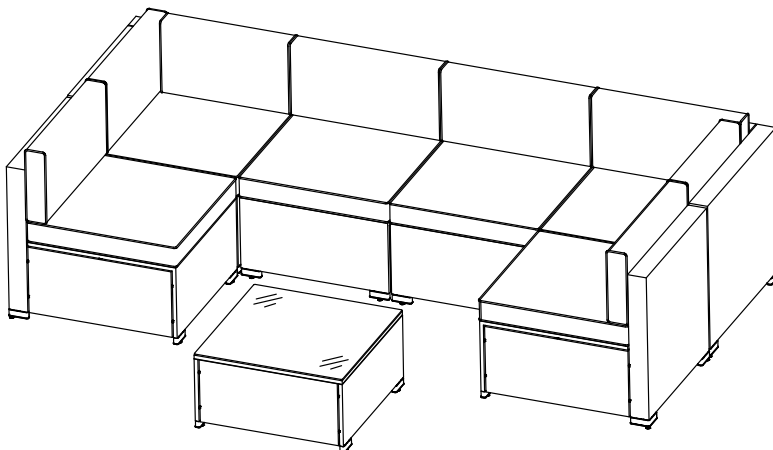
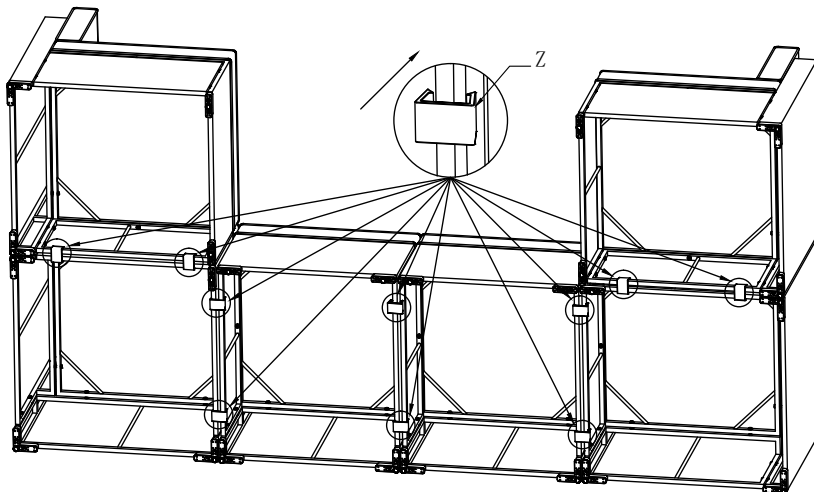


Tips: Don't tighten every screw until you get them all started in any one area.

Step 4: Turn the table over and put the glass (V) on top.



Step 5: After finishing all assembling, Please use plastic clips (Z) to connect each sofa, in ten places.



The button on the seat plate goes through the string on the cushion