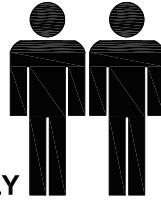


# Owner Manual

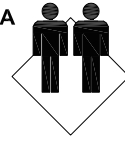
**2.0hr**

APPROXIMATE ASSEMBLY TIME

2 PERSONS OF ASSEMBLY

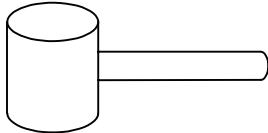


FLOOR AREA  
1.5M X 1.5M

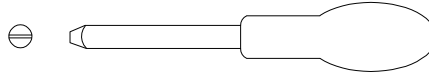


REQUIRED ASSEMBLY SPACE

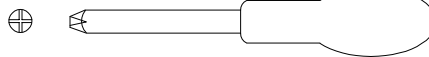
## REQUIRED ASSEMBLY TOOLS



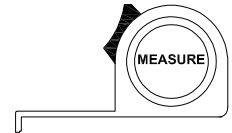
SOFT RUBBER HAMMER



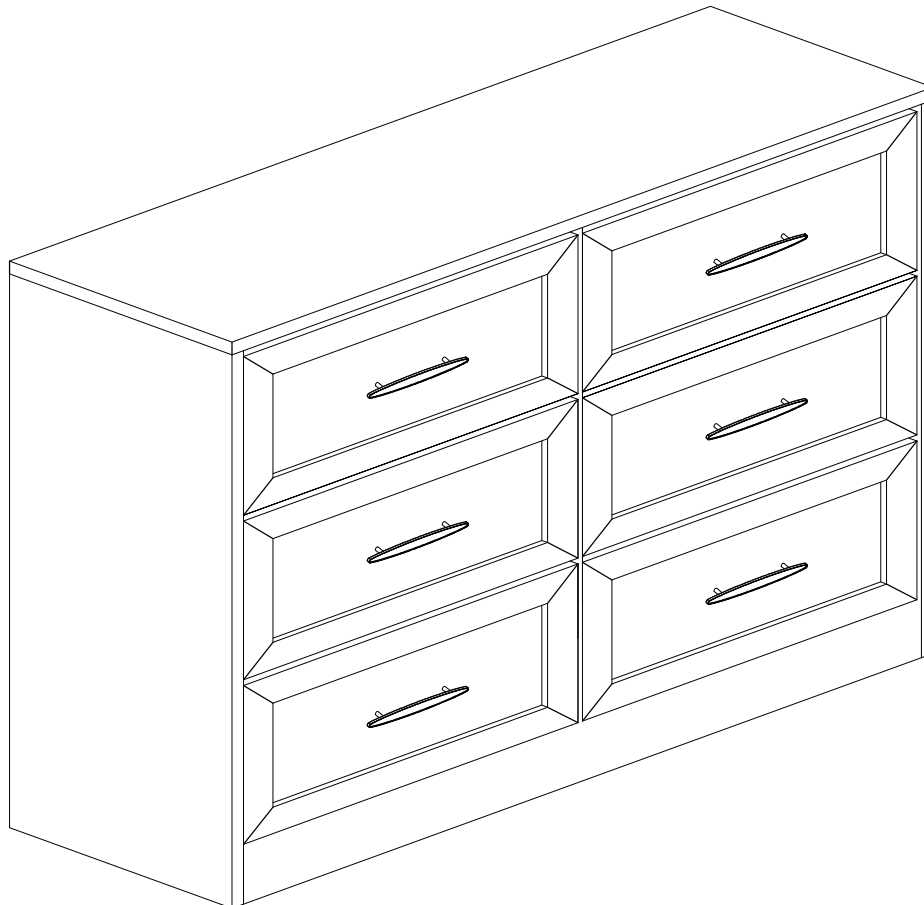
SLOTTED SCREWDRIVER



POZI SCREWDRIVER

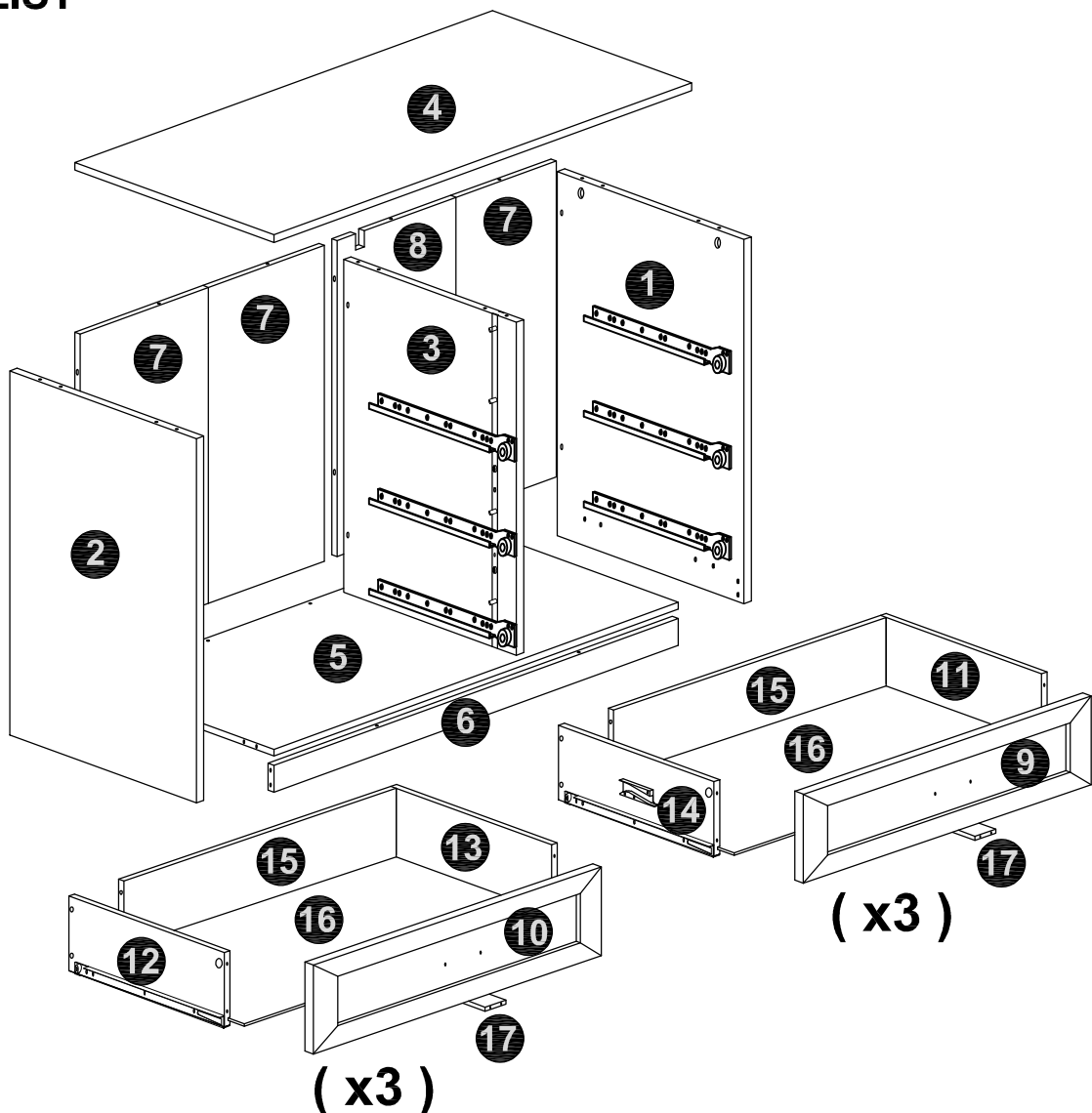


MEASURING TAPE

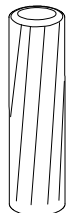


NO.	PART LIST	QTY	NO.	PART LIST	QTY
(1)	RIGHT PANEL	1	(11)	DRAWER SIDE PANEL RIGHT B	3
(2)	LEFT PANEL	1	(12)	DRAWER SIDE PANEL LEFT B	3
(3)	CENTRE PANEL	1	(13)	DRAWER SIDE PANEL RIGHT A	3
(4)	TOP PANEL	1	(14)	DRAWER SIDE PANEL LEFT A	3
(5)	BOTTOM PANEL	1	(15)	DRAWER BACK PANEL	6
(6)	CROSSBAR	1	(16)	DRAWER BOTTOM	6
(7)	BACK PANEL A	3	(17)	DRAWER BOTTOM SUPPORT	6
(8)	BACK PANEL B	1			
(9)	DRAWER FRONT RIGHT	3			
(10)	DRAWER FRONT LEFT	3			

## PARTS LIST



# HARDWARE LIST

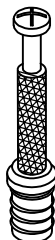


**62X**

Dia.6 x 30mm

**A**

WOOD  
DOWEL

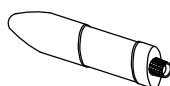


**22X**

M6.5 x 32mm

**B**

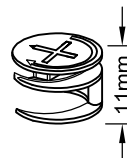
QUICKFIT



**3X**

**C**

GLUE



**10X**

Dia 15mm

**D**

LARGE  
CAMLOCK

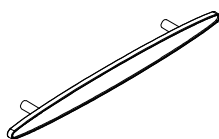


**12X**

Dia 15mm

**E**

SMALL  
CAMLOCK



**6X**

**F**

HANDLE



**12X**

M4 x 10mm

**G**

SCREW



**36X**

M3.5 x 25mm

**H**

SCREW

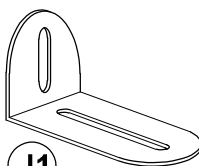


**2X**

M8 x 38mm

**I**

SCREW



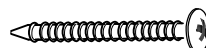
**J1**



**J2**



**J3**



**J4**

**1X**

**J**

SAFETY  
BRACKET  
KIT

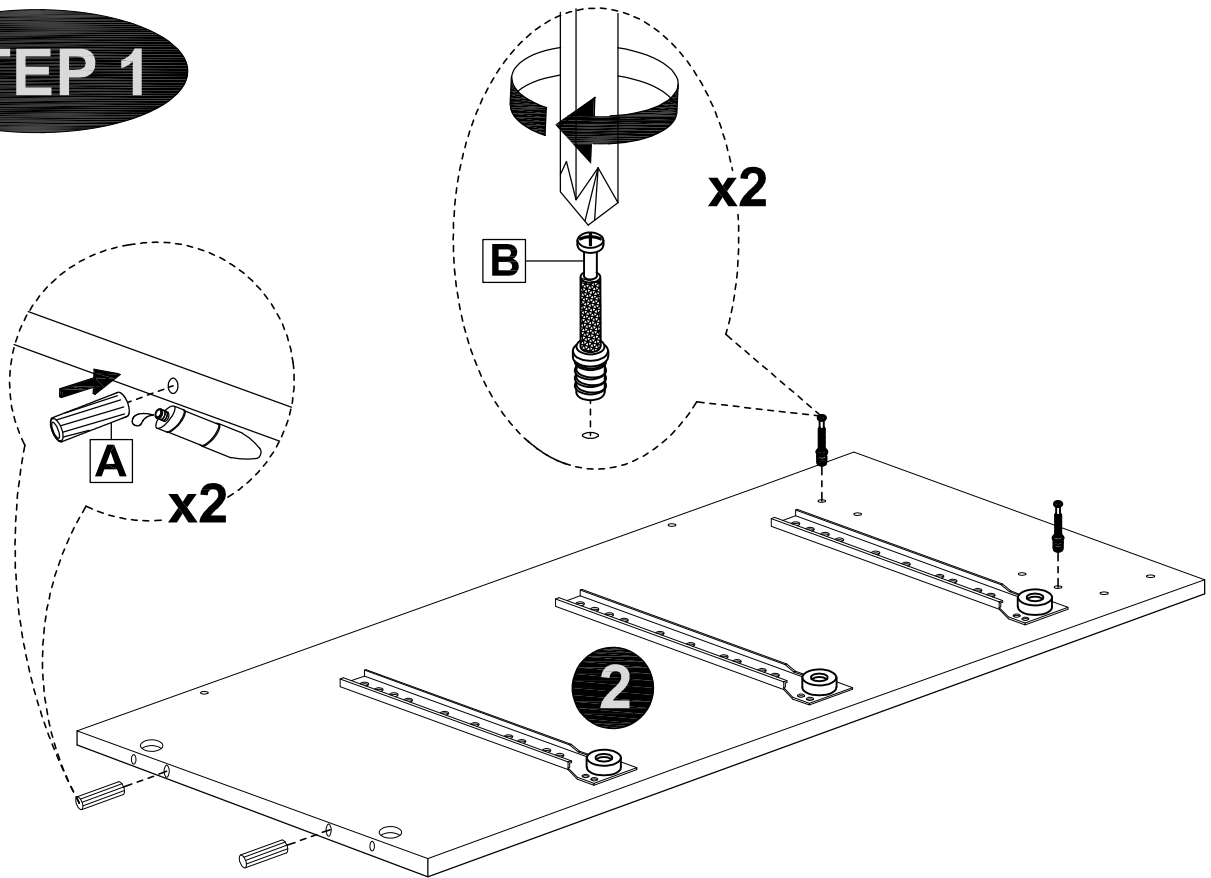
## **Top Tips before you start!**

1. Please check that all parts are present before you start the assembly of your furniture.
2. For ease and speed of assembly, we recommend that before you commence each step of the assembly, that you identify all the parts required for that step.
3. For larger items, please ensure that you have sufficient space and people ( as indicated on page 1 ) to assemble your product safely
4. We recommend that, where possible, all items are assembled near to the area in which they will be placed in use, to avoid moving the product unnecessarily once assembled.
5. For the protection of your furniture, particularly items of high gloss finish, we recommend that the product is placed on a protected surface during assembly to prevent any damage.
6. Caution - Electric / Battery operated screw driver NOT RECOMMENDED.
7. During assembly please take care not to over-tighten any fittings, as this may damage the product.
8. Always place the product on a flat, steady and stable surface.
9. Do not sit or stand on the product.  
Do not use the product as a stepladder.
10. This product is intended for indoor, household use only as it is non industrial product.
11. This product is constructed from re-inforced hollow board. Excessive pressure cause irreparable damage. Please do not kneel on any part of this product during assembly.

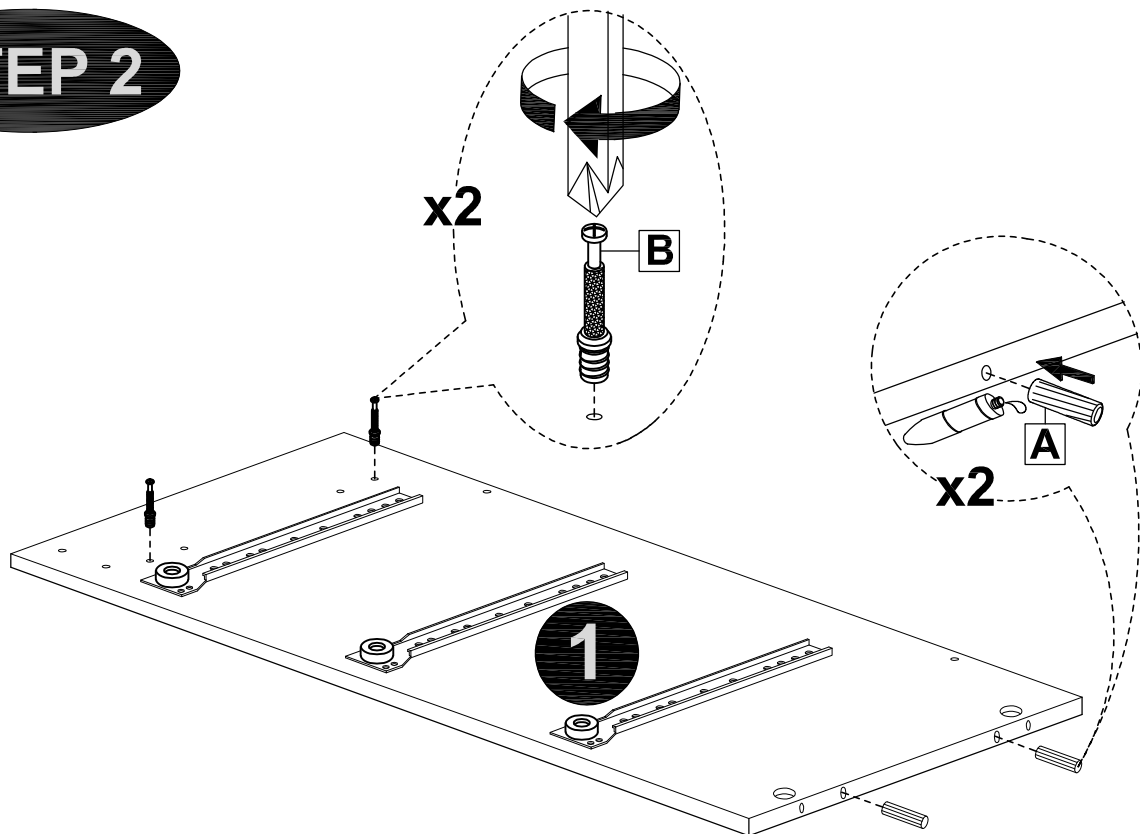
## **Care and Maintenance of your Furniture**

- Please periodically check all fittings and re-tighten as necessary.
- To clean your item, please use a damp cloth and wipe clean.
- Never allow any kind of liquid to remain on your furniture.
- Please do not place hot items (e.g. hot drinks ) directly on to the wood surface.
- Please do not drag and pull your furniture.

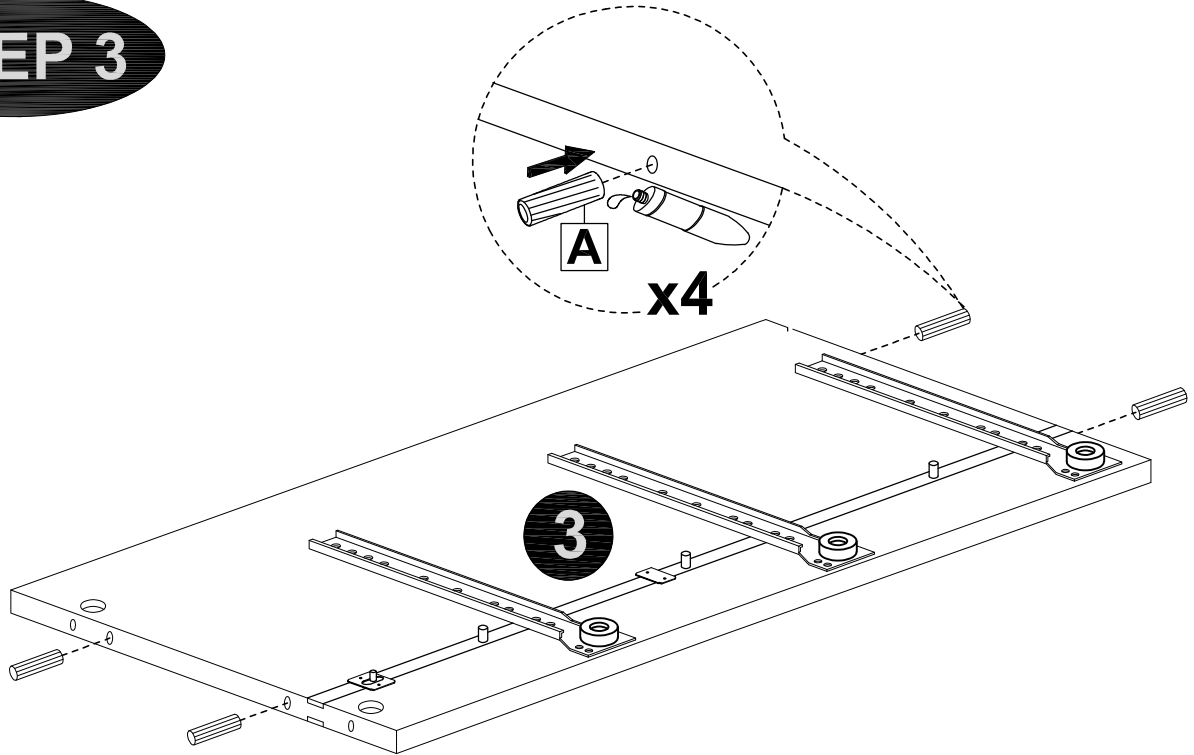
# STEP 1



# STEP 2

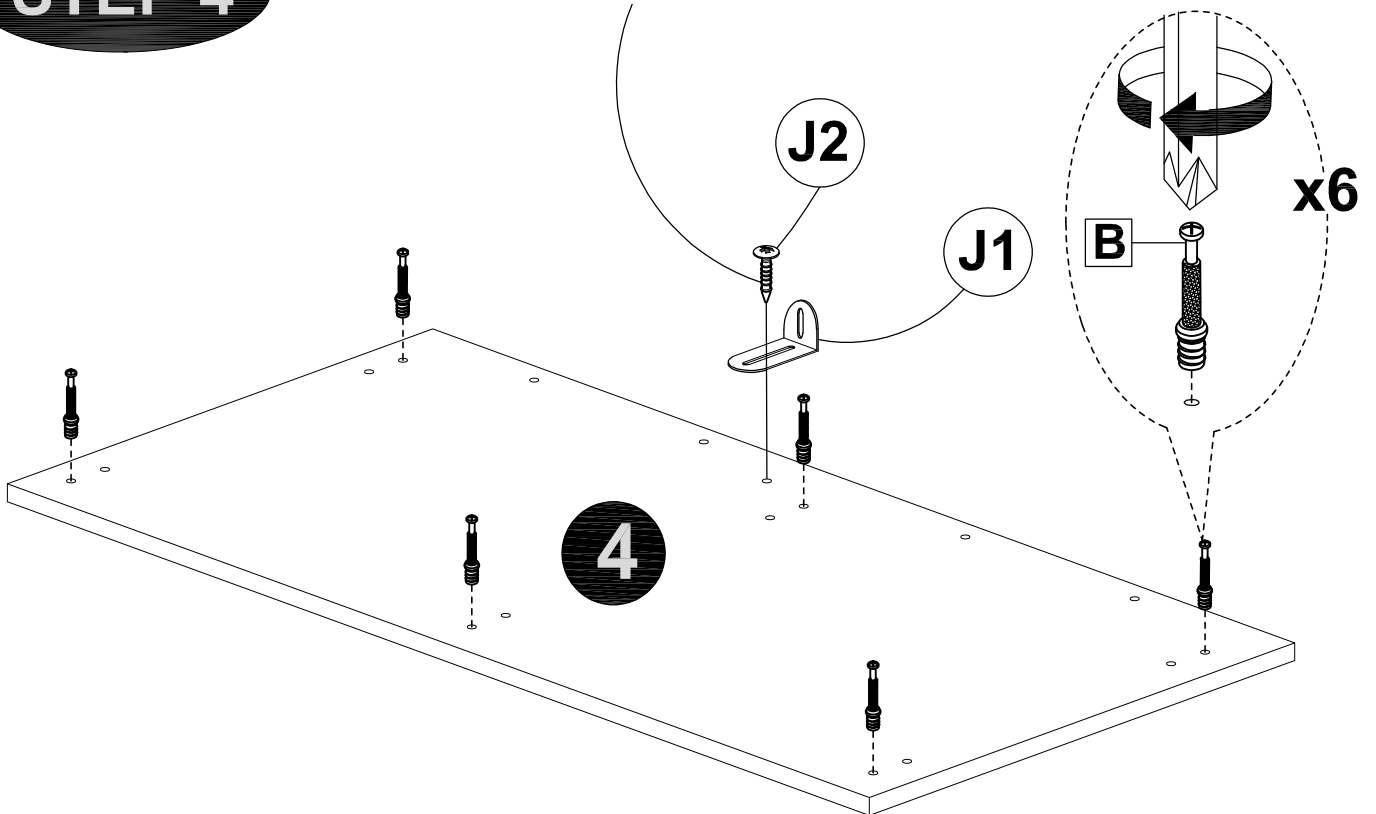


# STEP 3

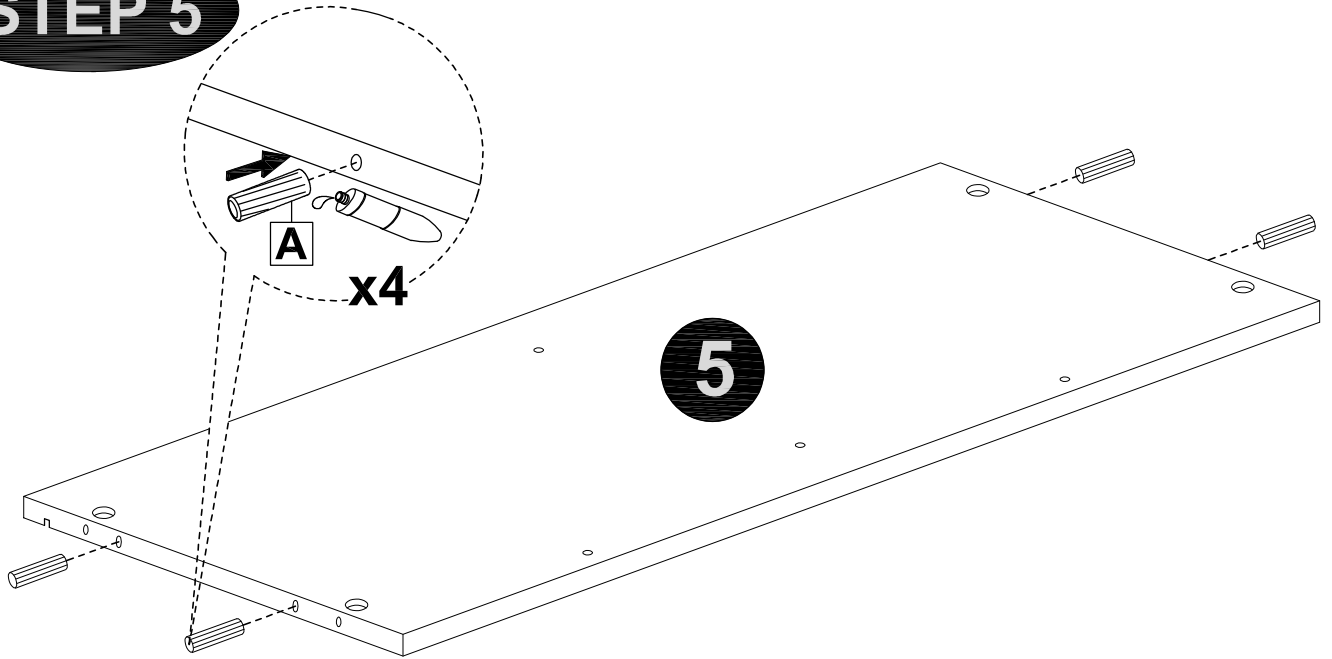


# STEP 4

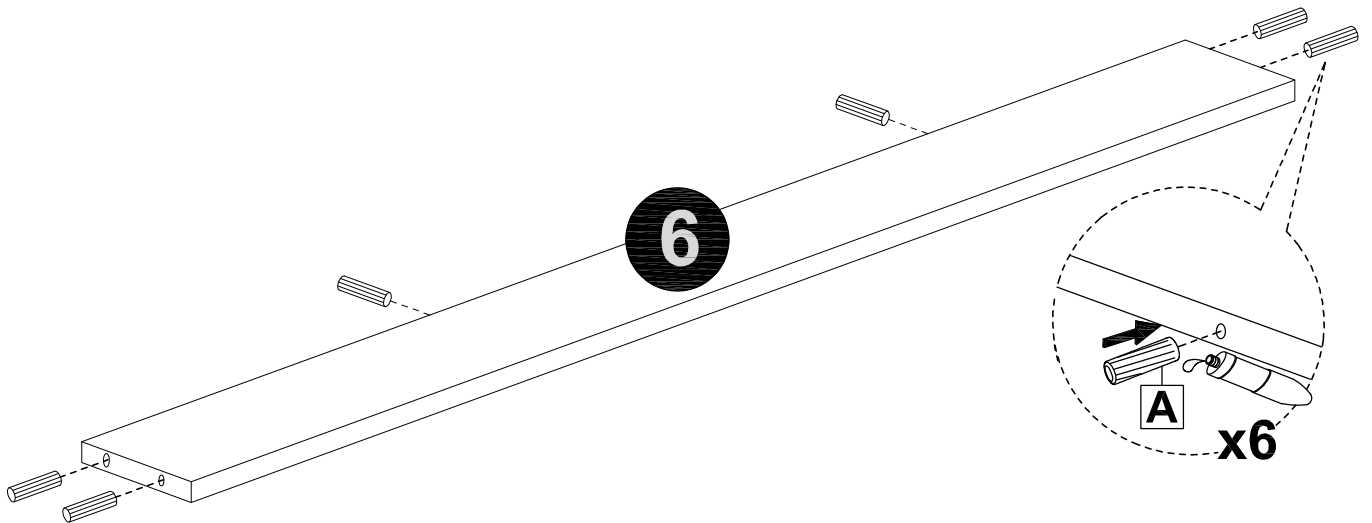
Do not fully tighten this screw



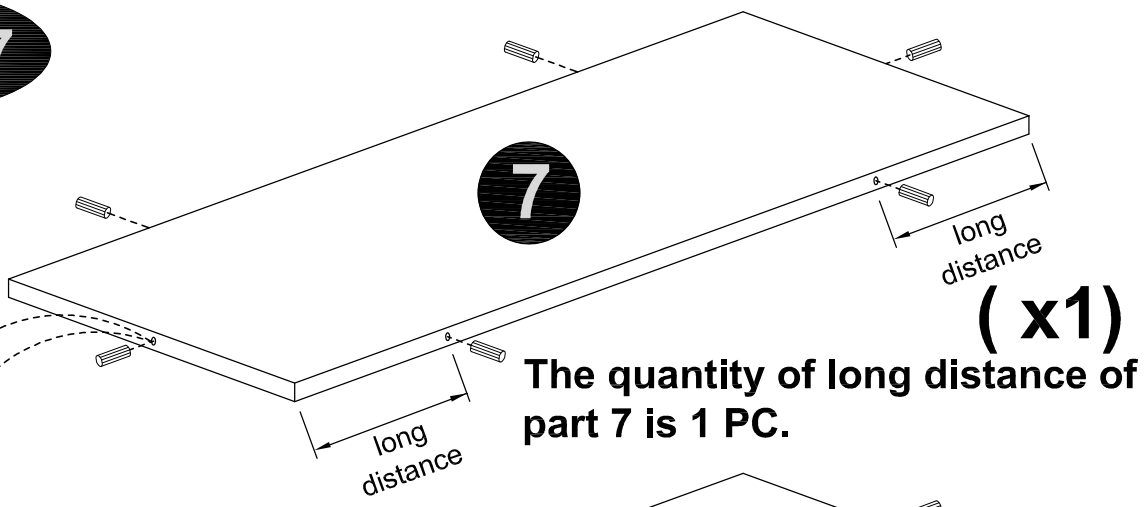
# STEP 5



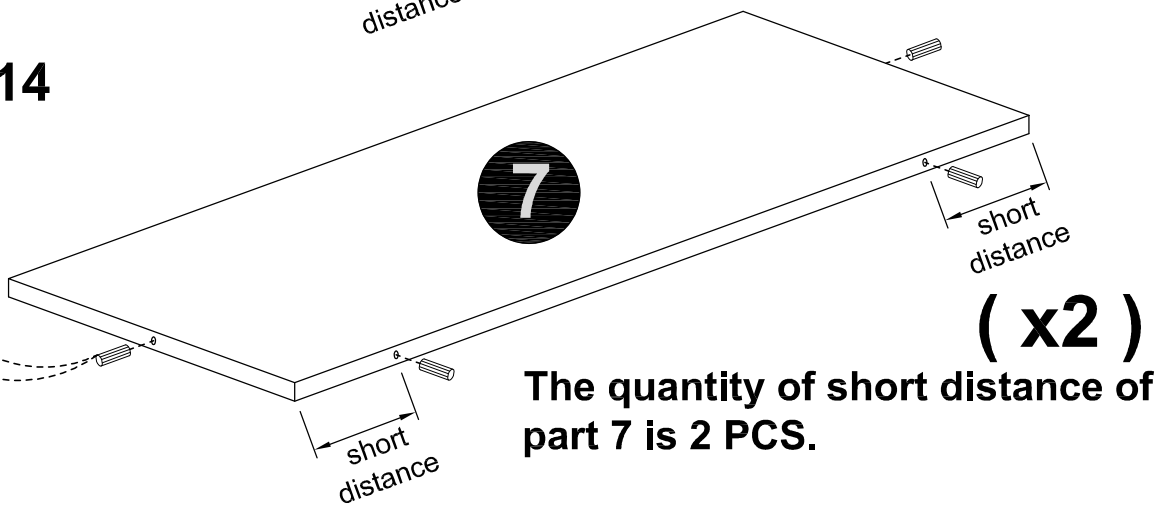
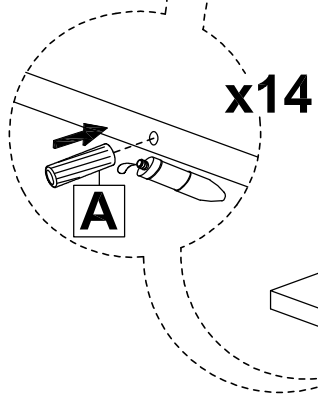
# STEP 6



**STEP 7**

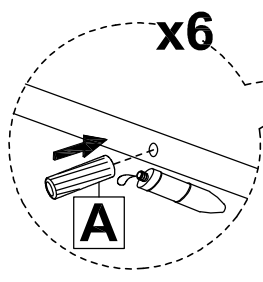
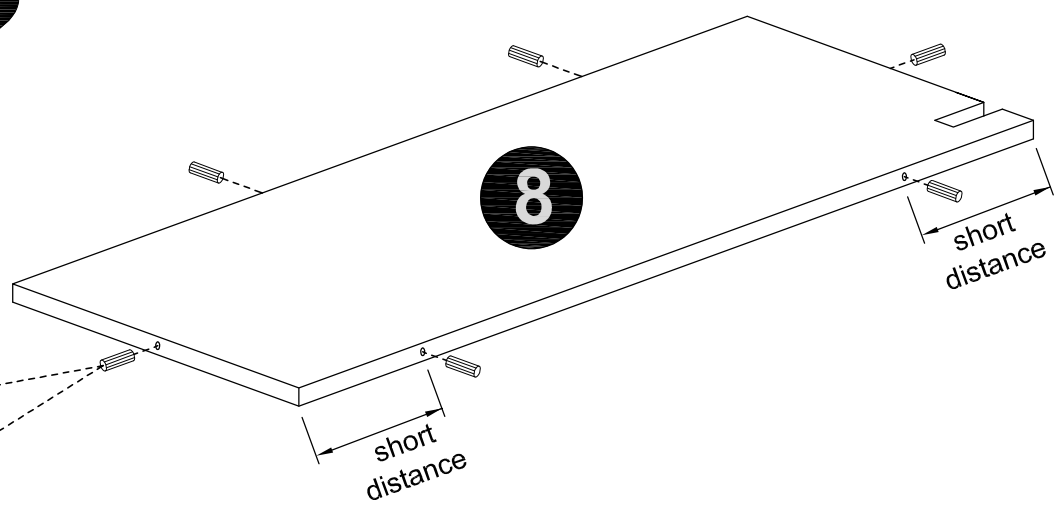


The quantity of long distance of part 7 is 1 PC.

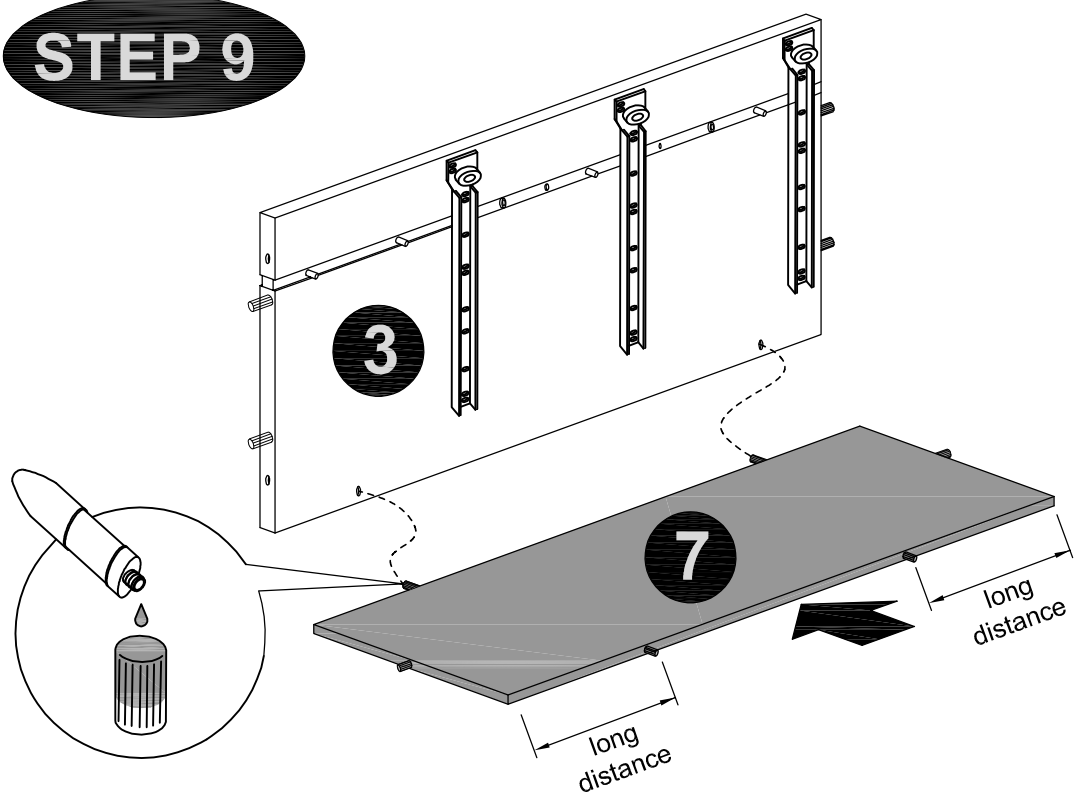


The quantity of short distance of part 7 is 2 PCS.

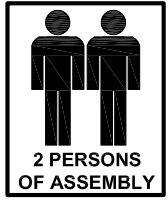
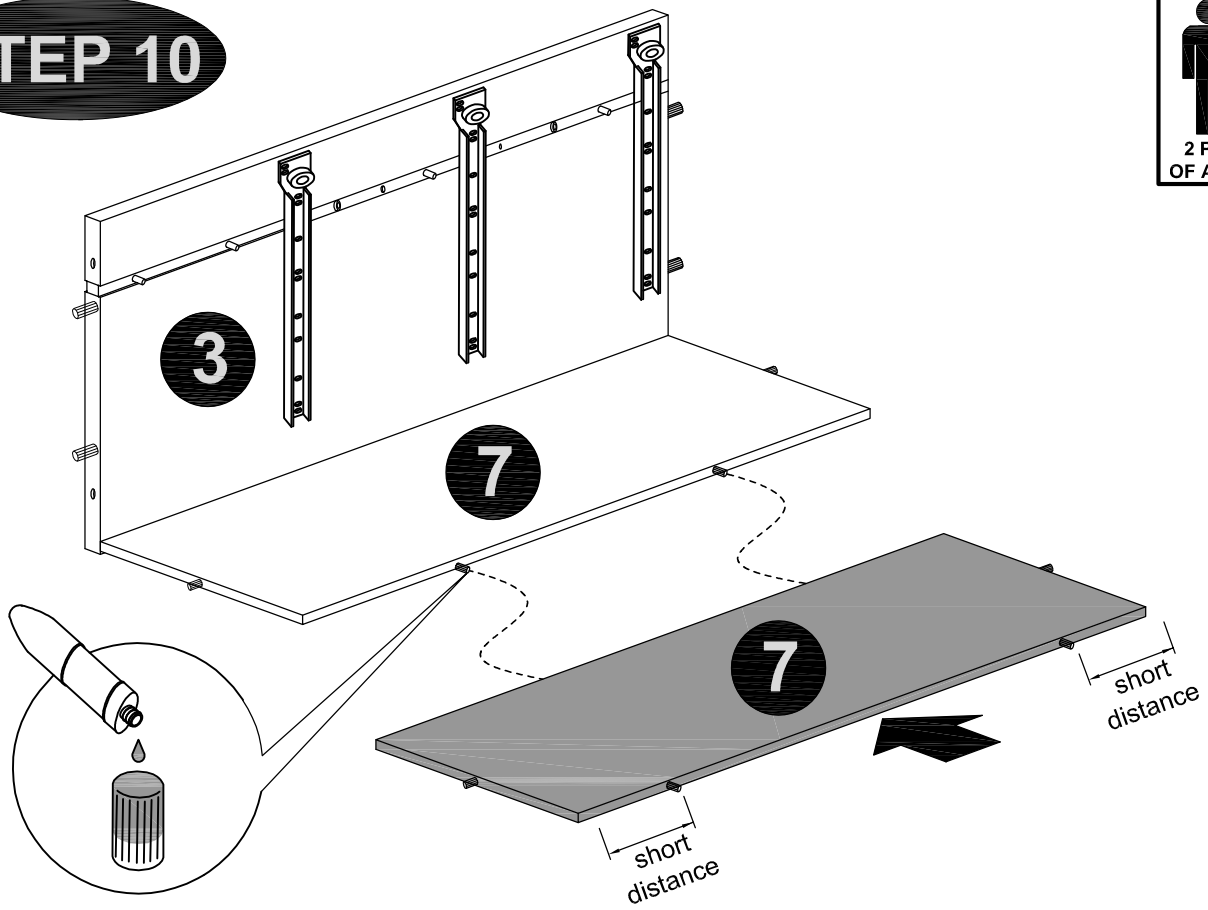
**STEP 8**



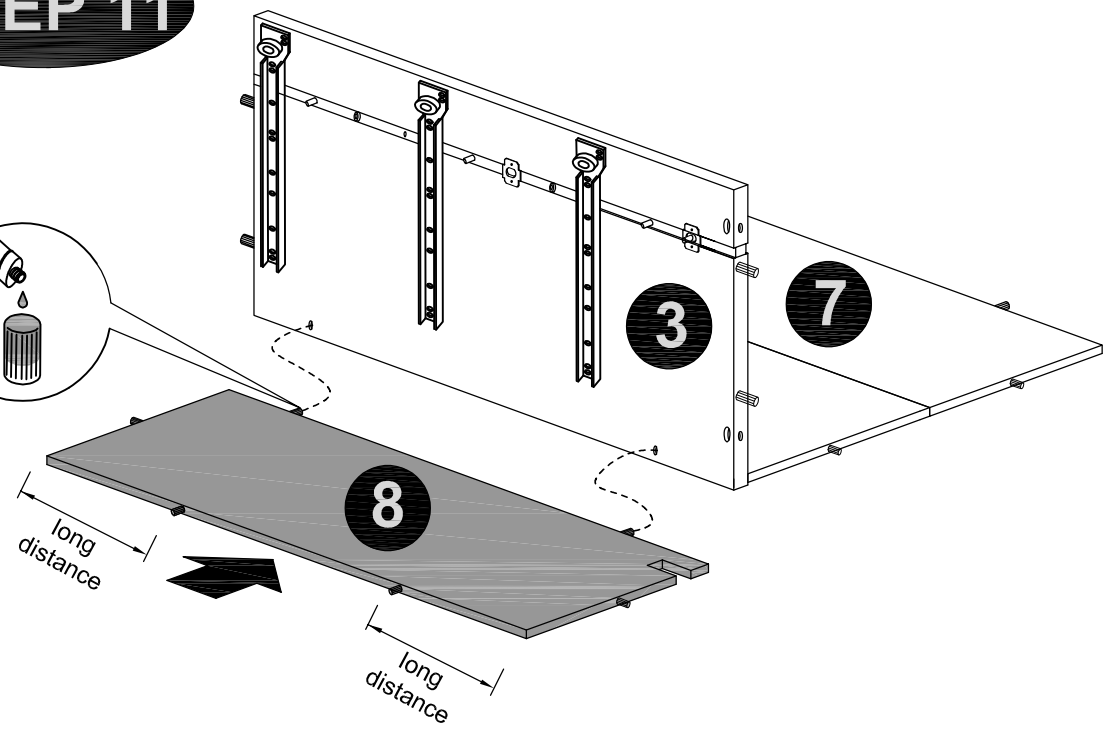
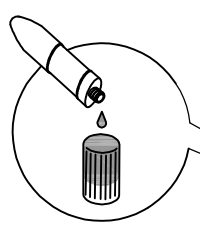
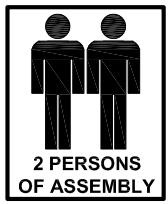
# STEP 9



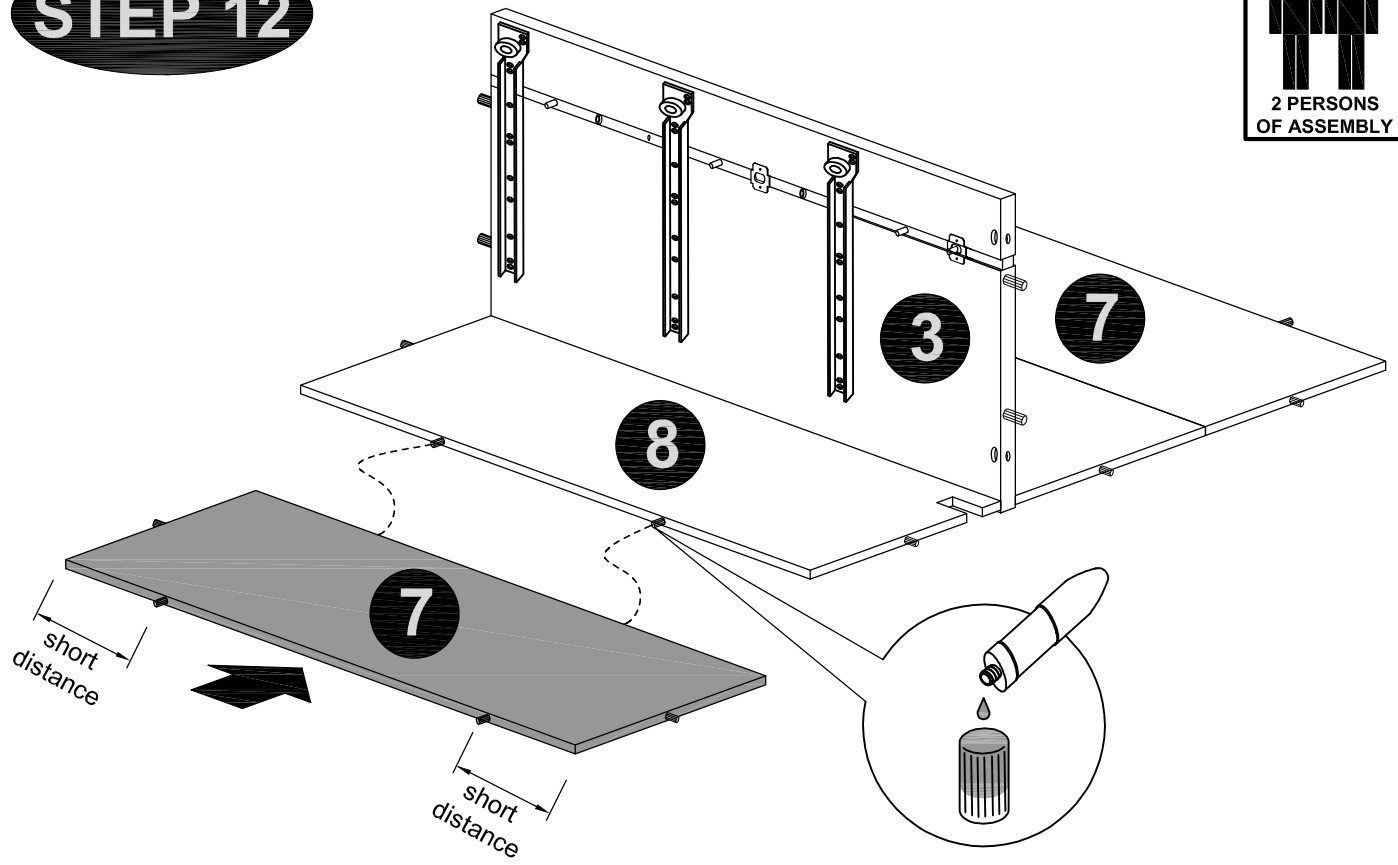
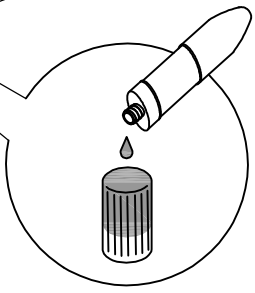
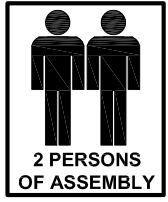
# STEP 10



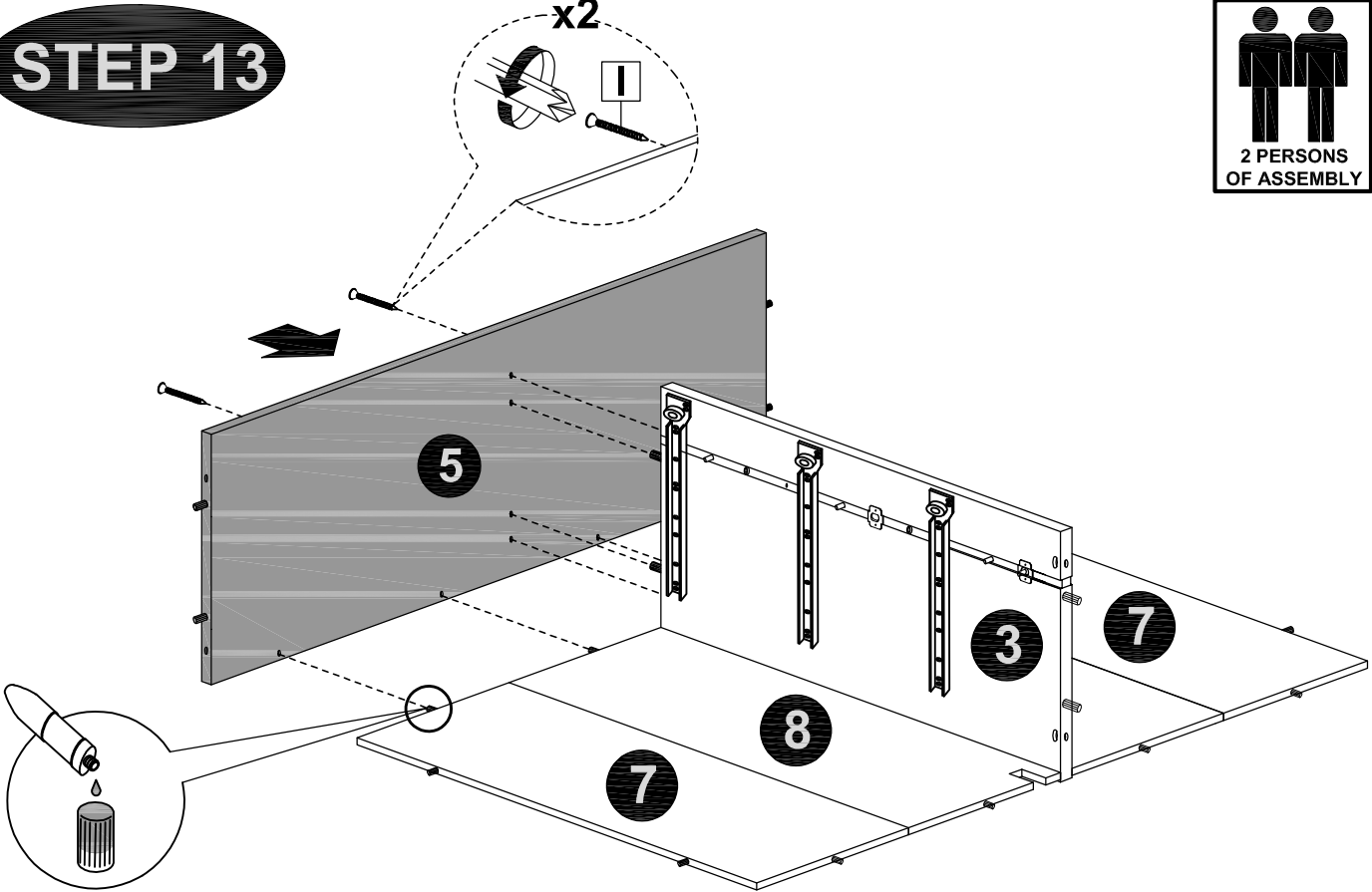
# STEP 11



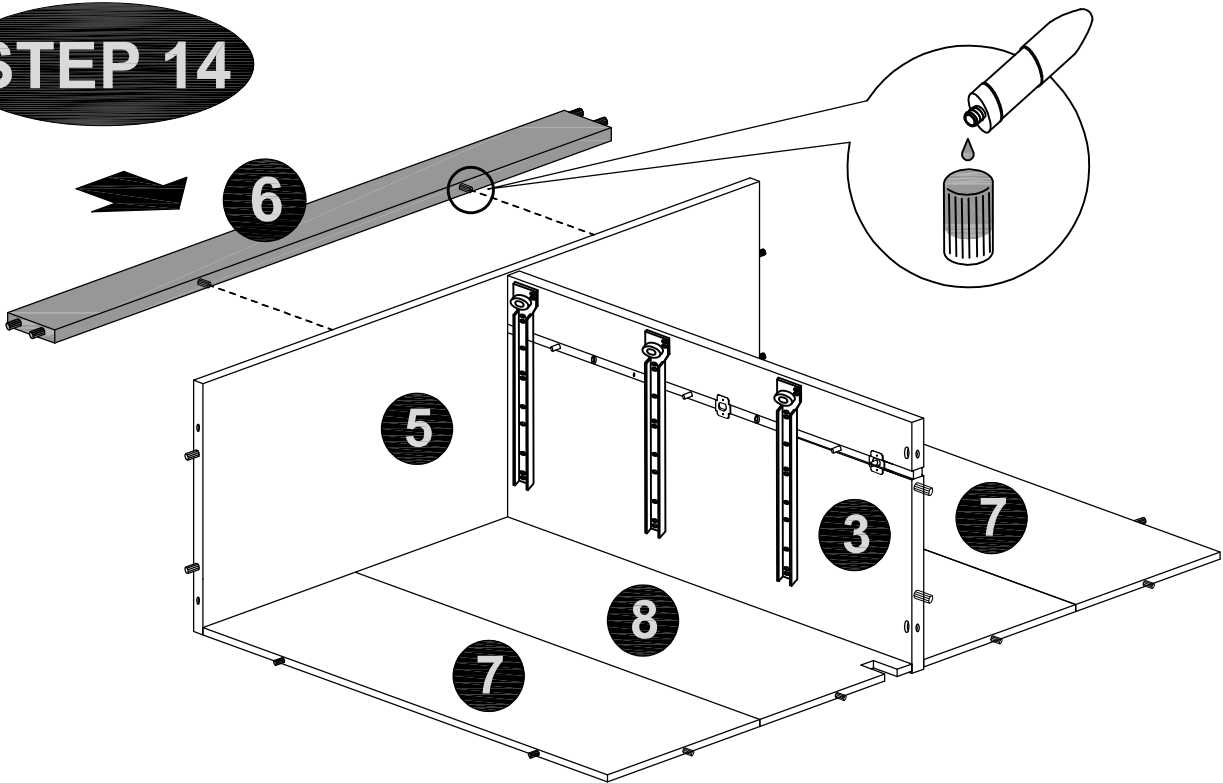
# STEP 12



# STEP 13

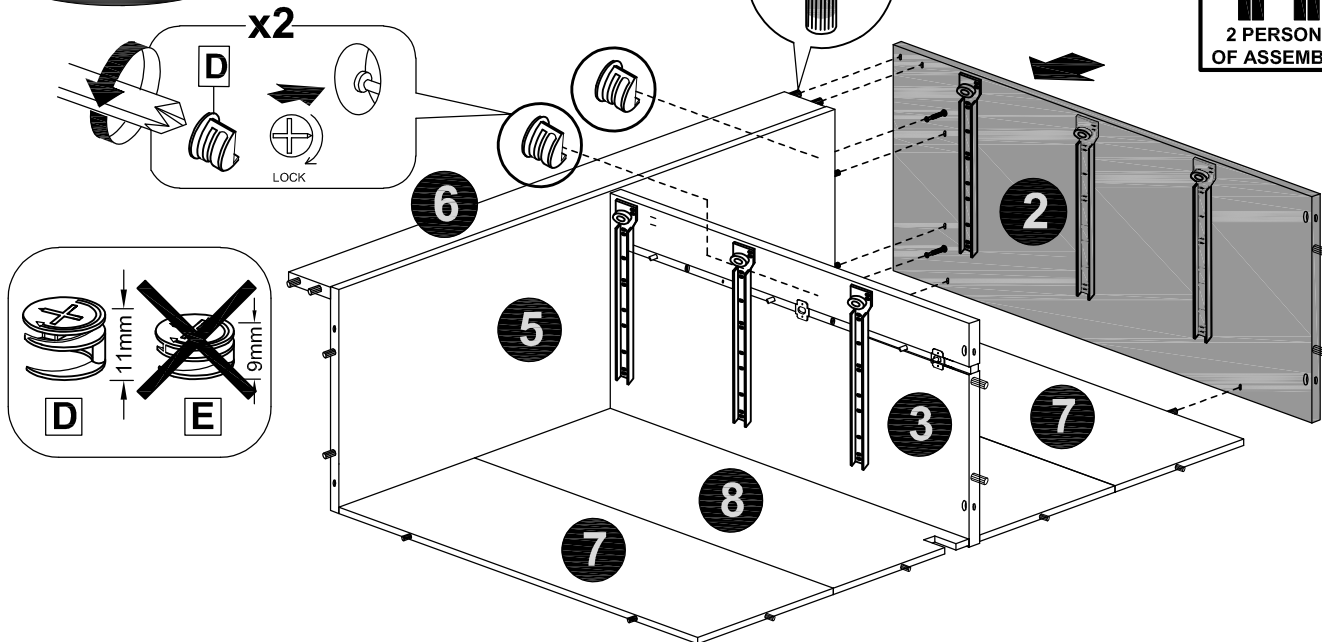


# STEP 14



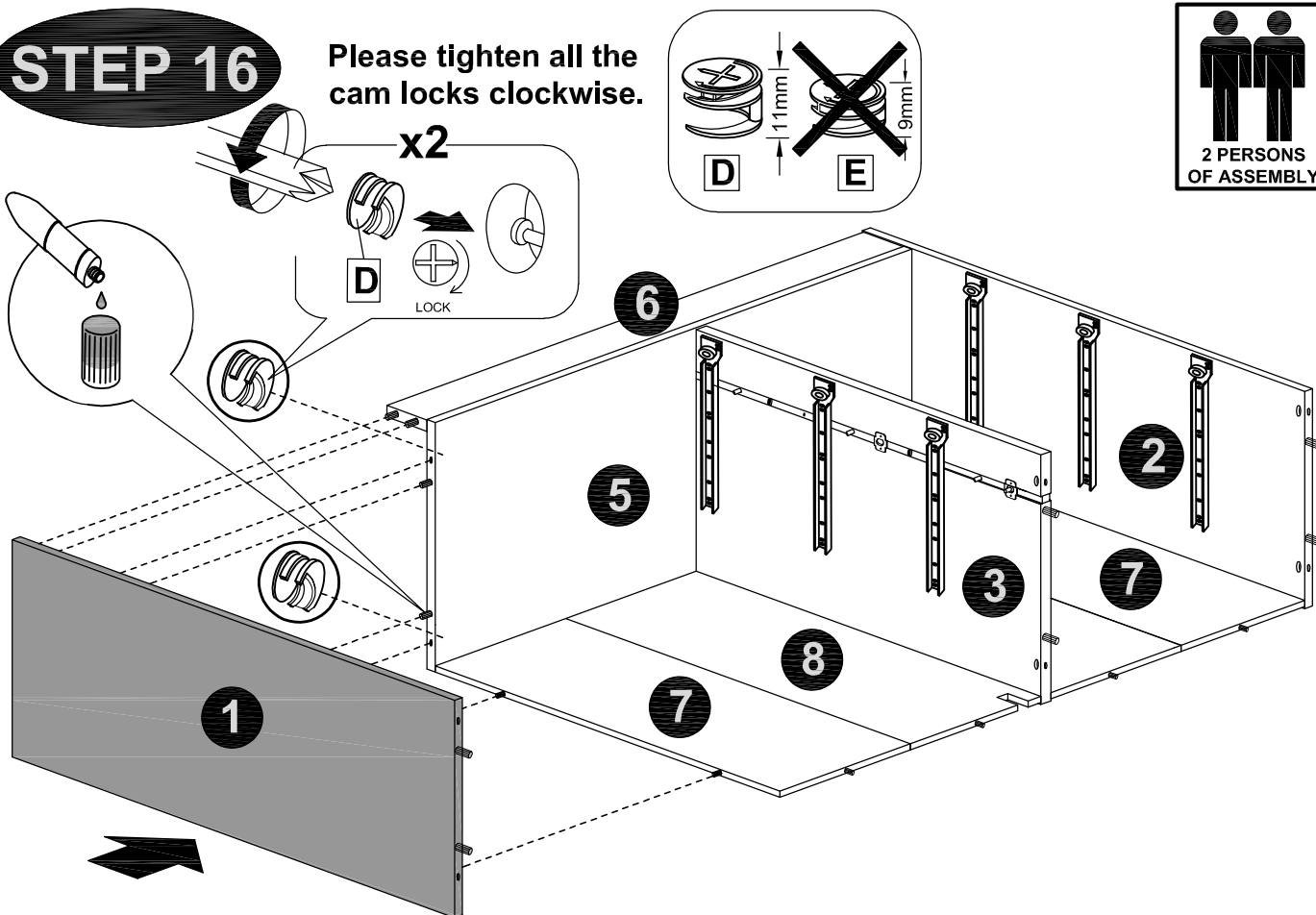
# STEP 15

Please tighten all the cam locks clockwise.

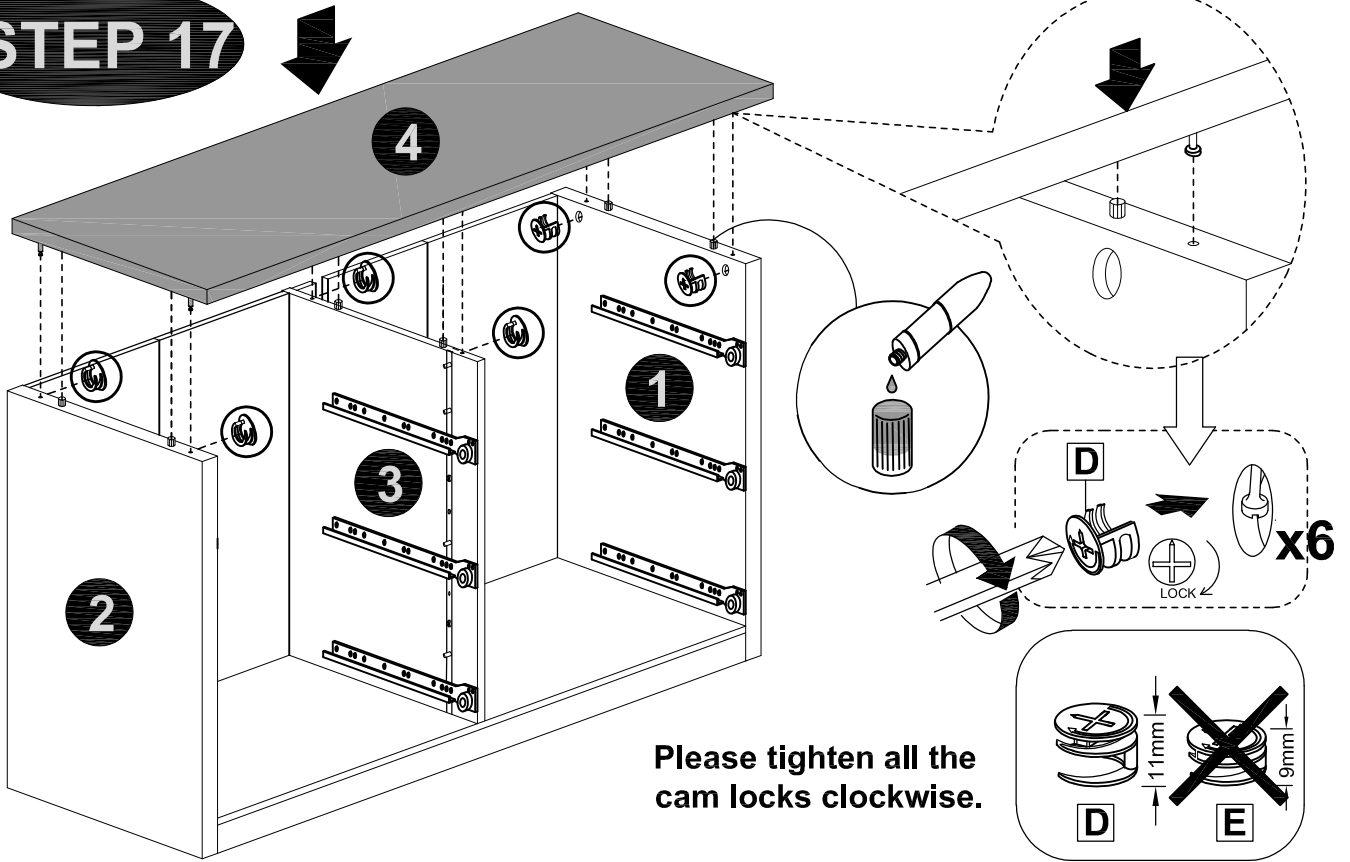


# STEP 16

Please tighten all the cam locks clockwise.

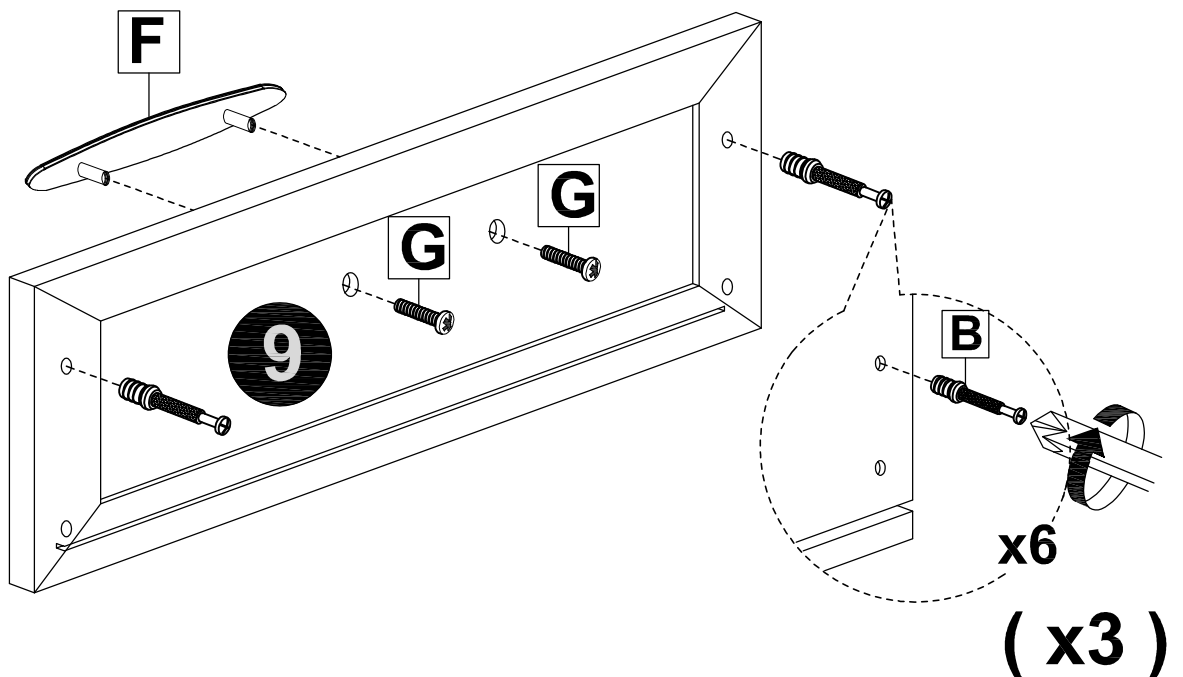


# STEP 17



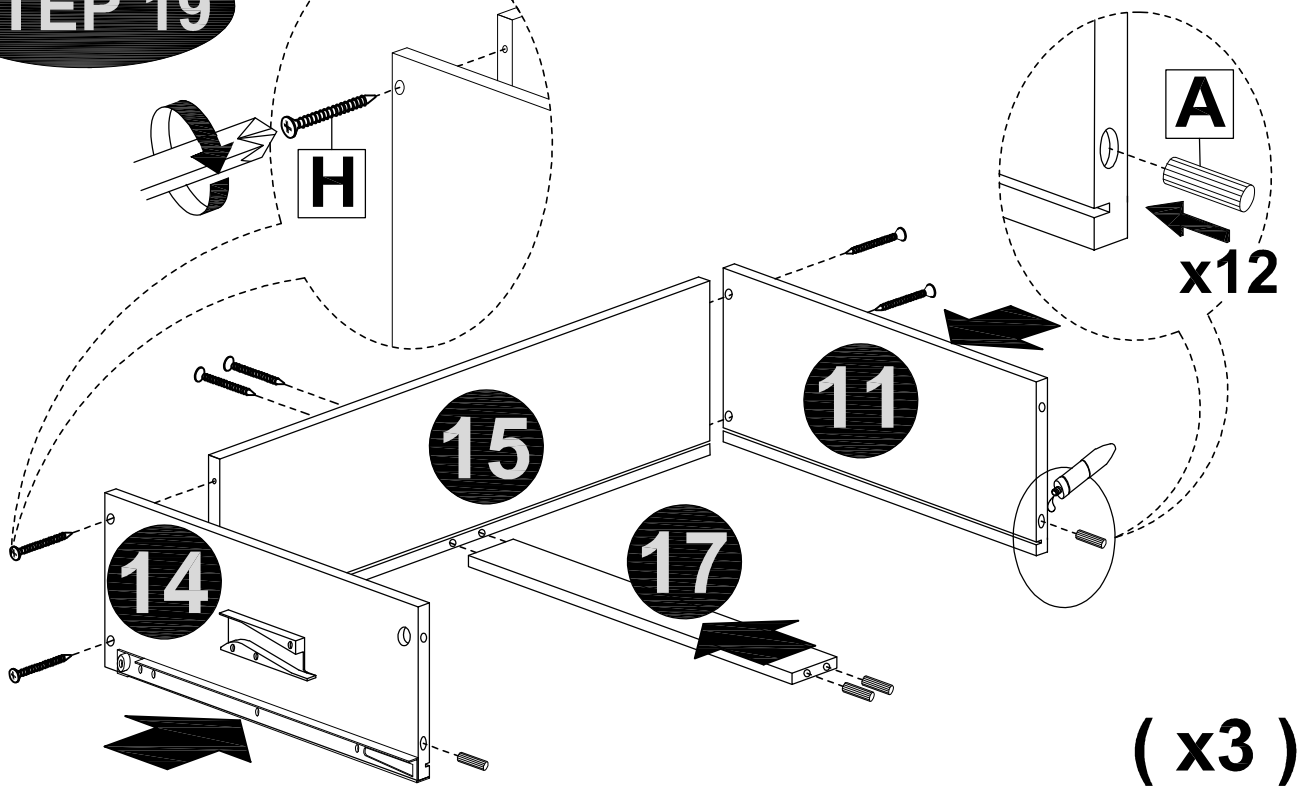
Please tighten all the cam locks clockwise.

# STEP 18



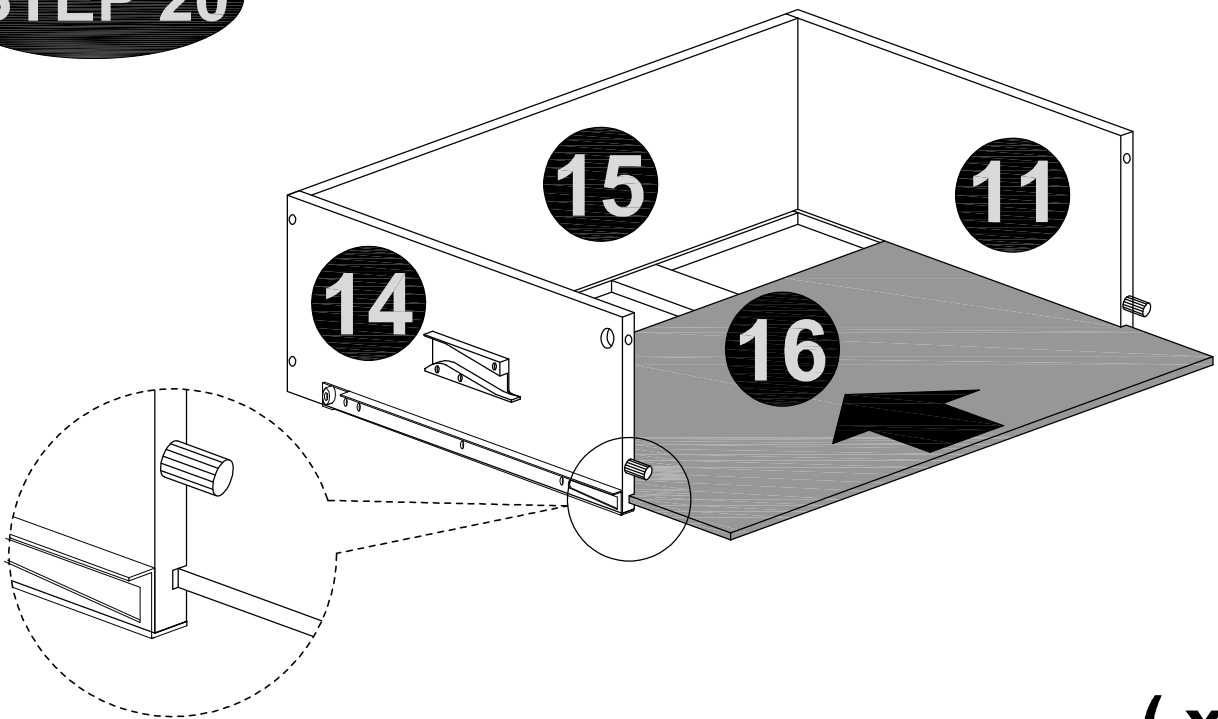
**STEP 19**

**x18**



**( x3 )**

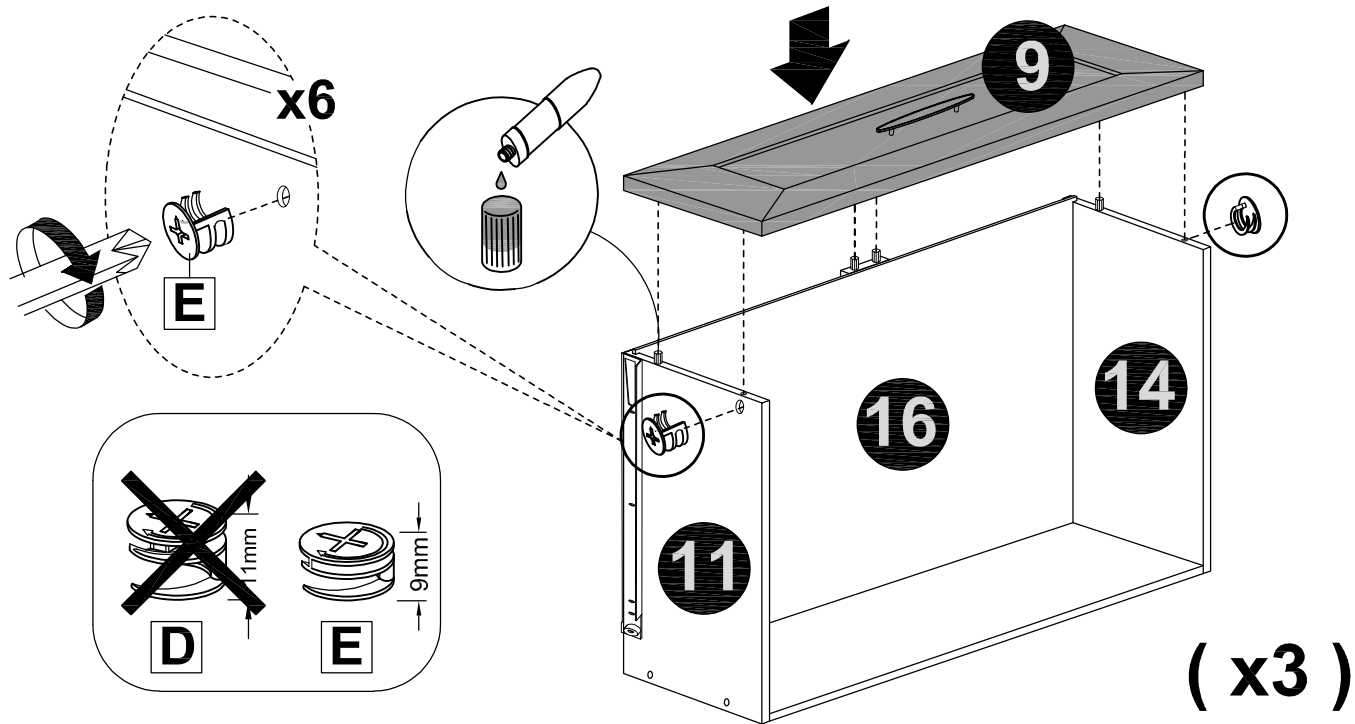
**STEP 20**



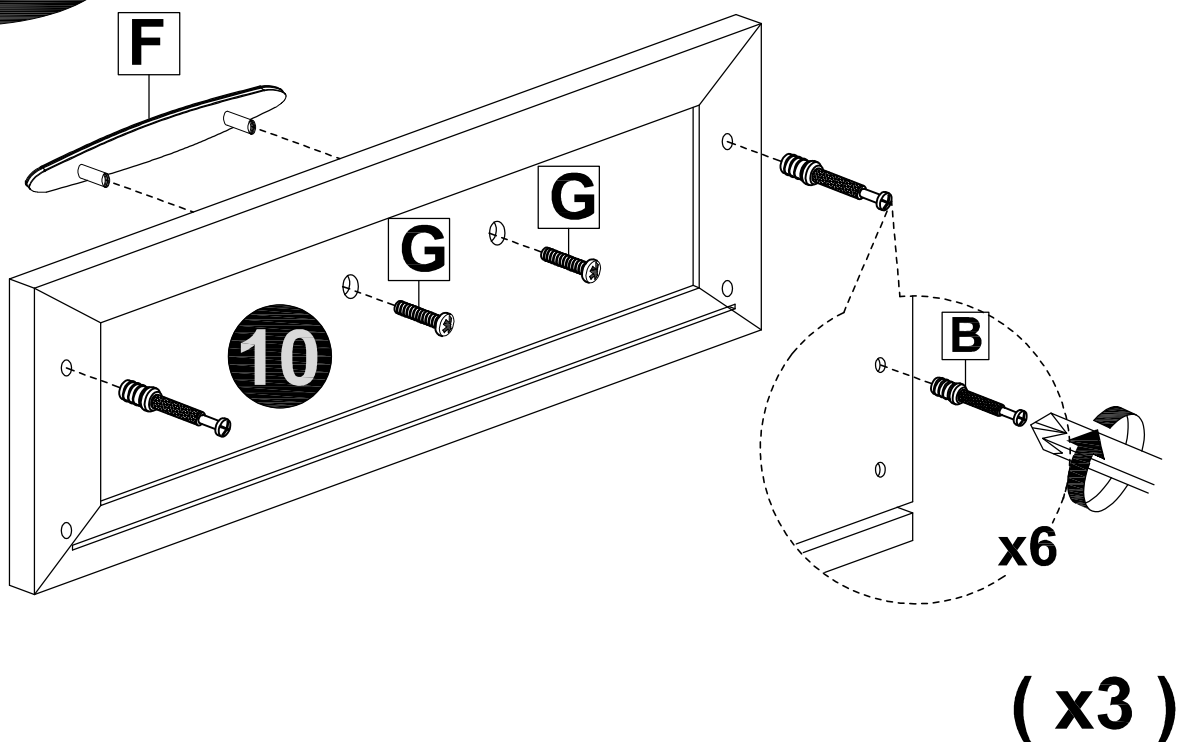
**( x3 )**

# STEP 21

Please ensure panel (9), (11), (14) and (16) are align before tighten all the cam locks. Tighten all cam locks clockwise.

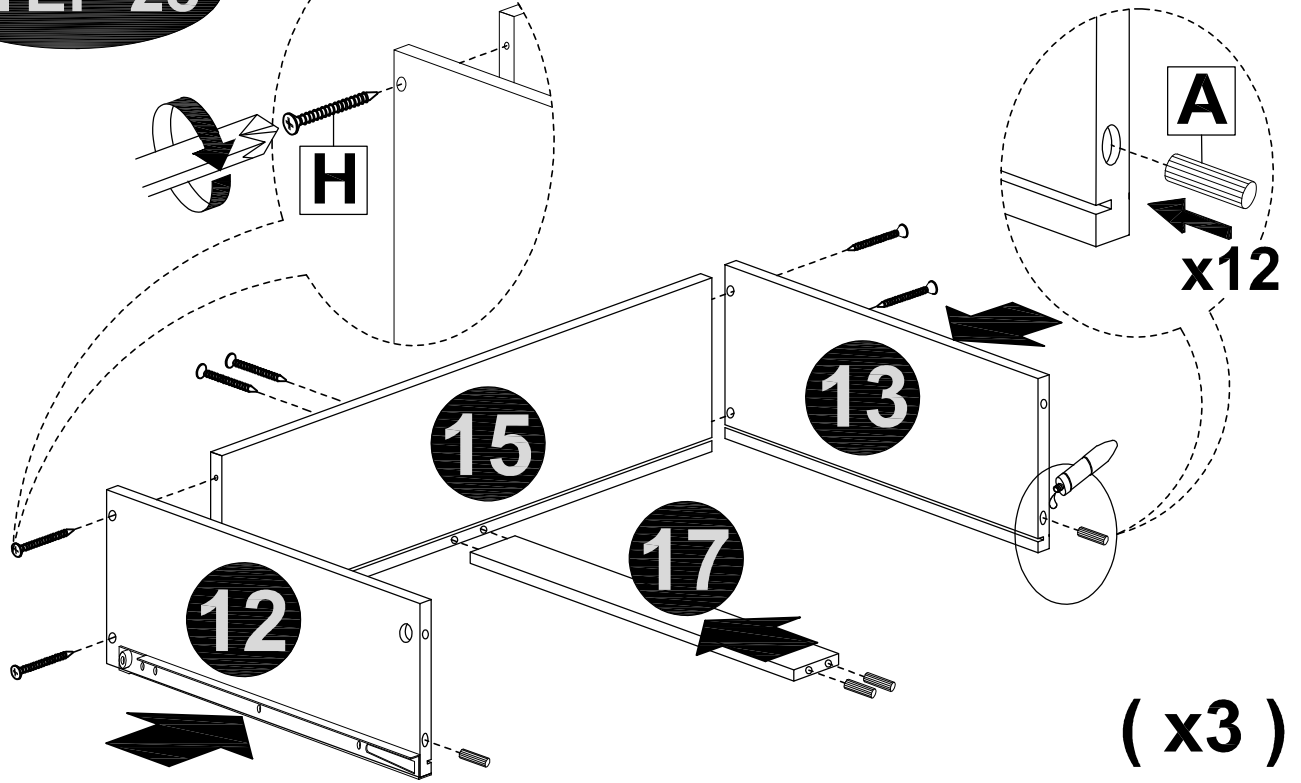


# STEP 22

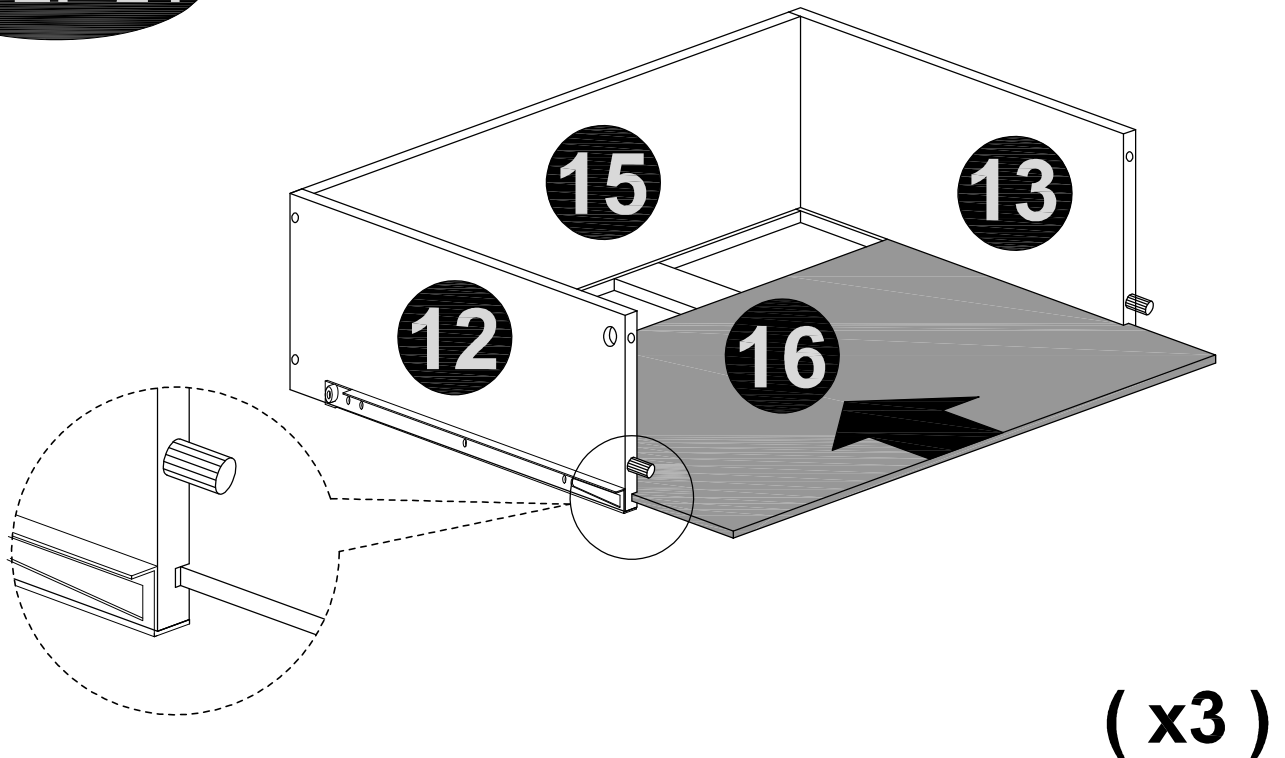


**STEP 23**

**x18**

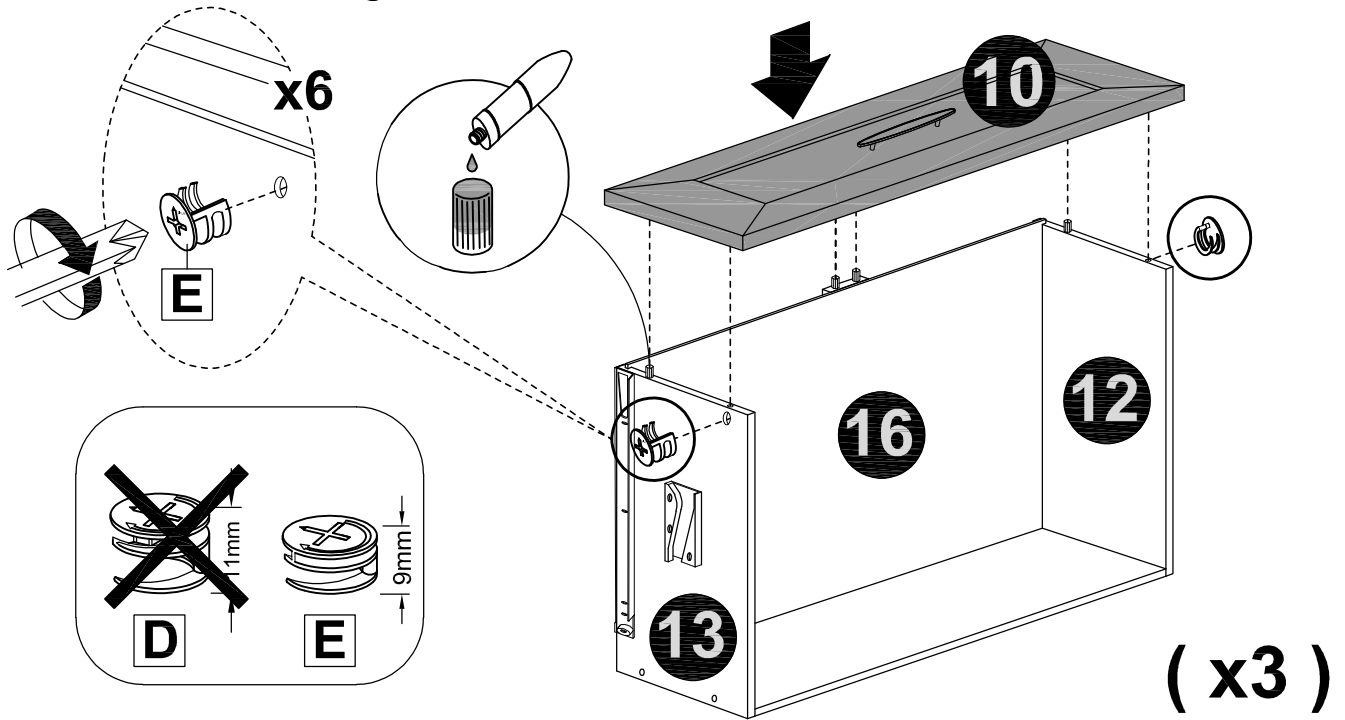


**STEP 24**



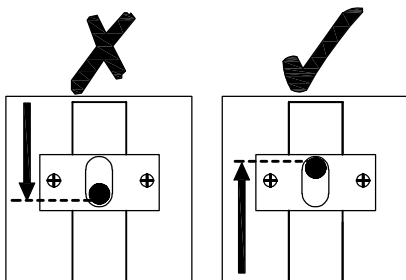
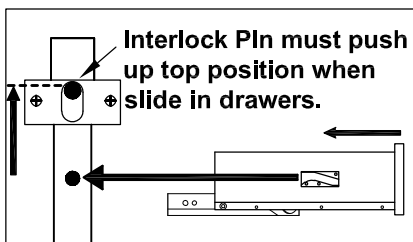
# STEP 25

Please ensure panel (10), (12), (13) and (16) are align before tighten all the cam locks. Tighten all cam locks clockwise.



# STEP 26

Note: Please ensure assembled drawers (10) are insert into the left side while assembled drawers (9) are insert into the right side



Interlock Pin must push up top position when slide in drawers.

