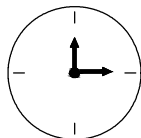
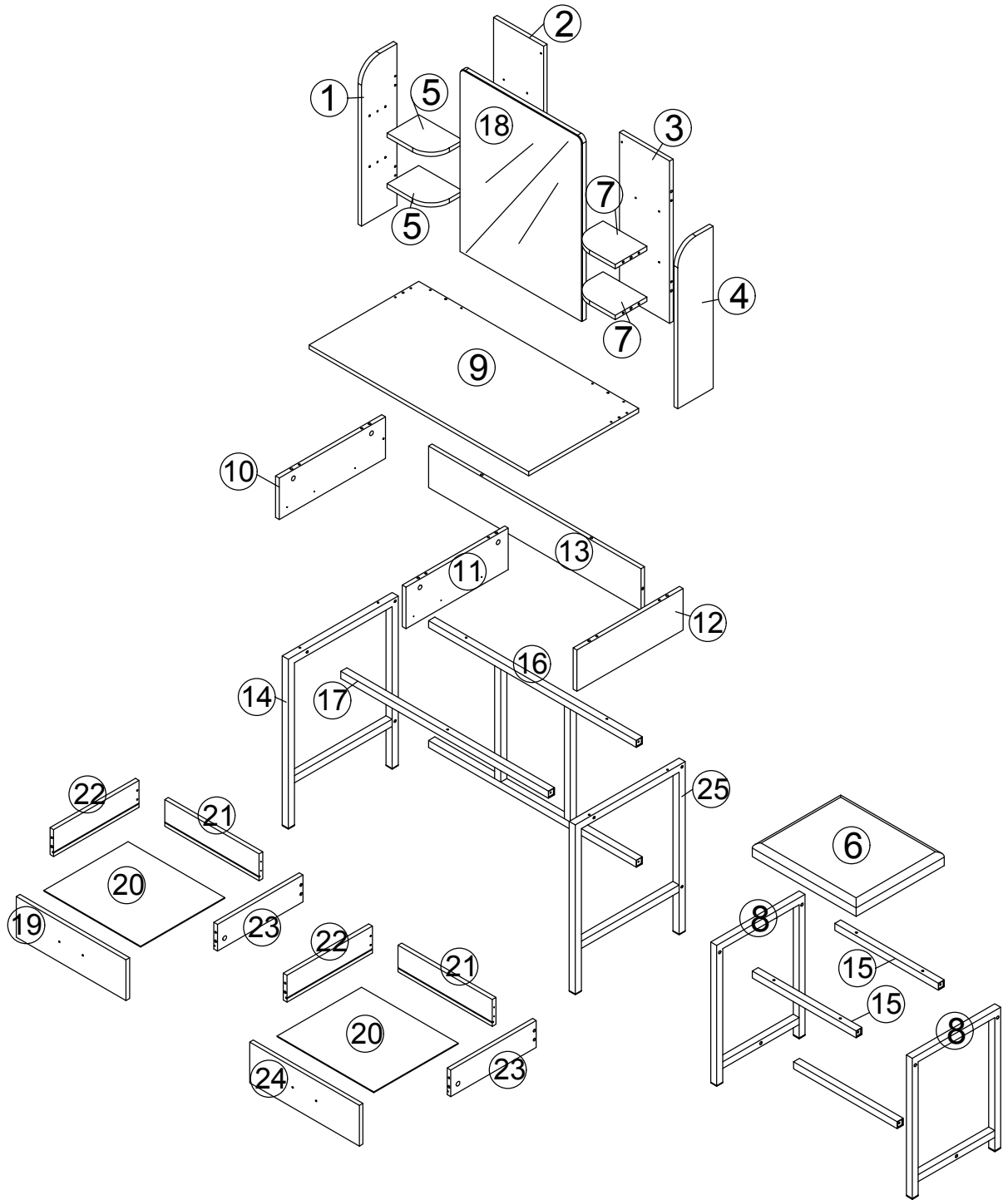
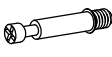




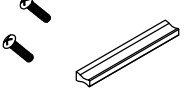
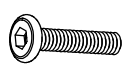

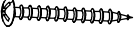

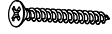

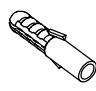
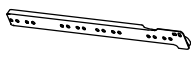





2 PERS.

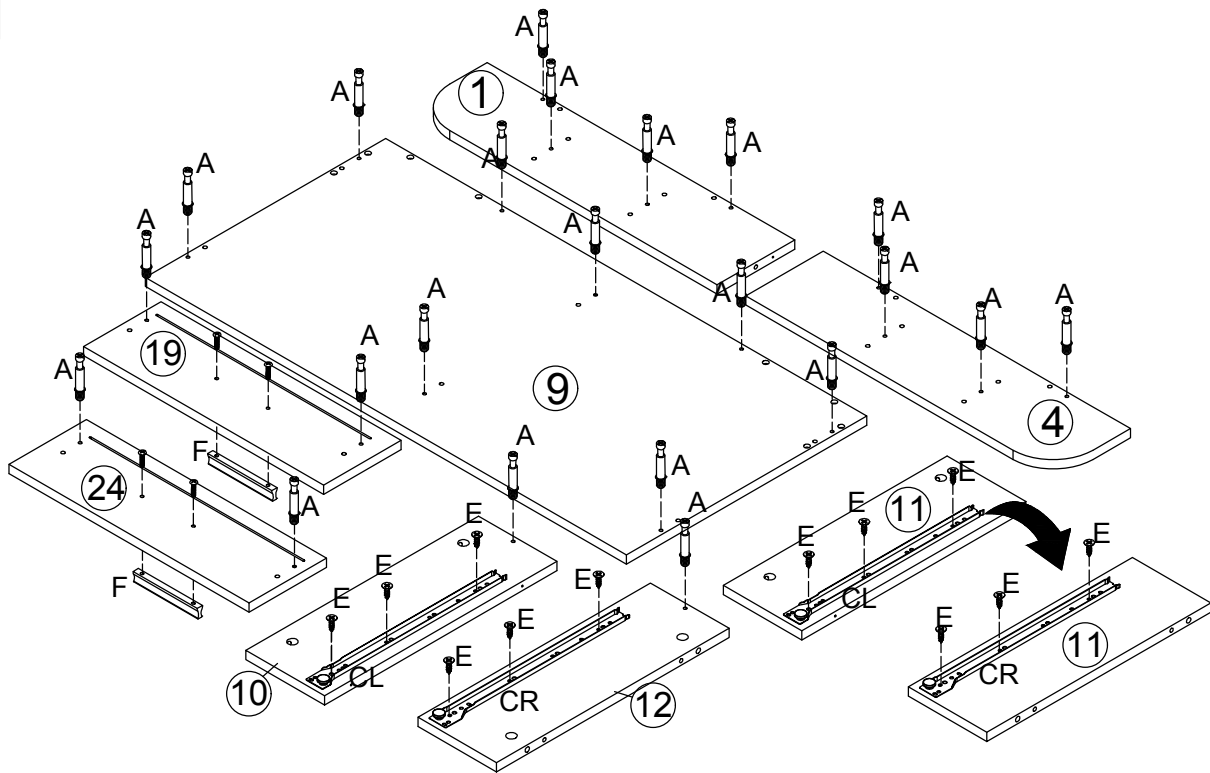


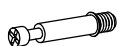

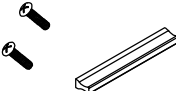

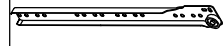
60 MIN



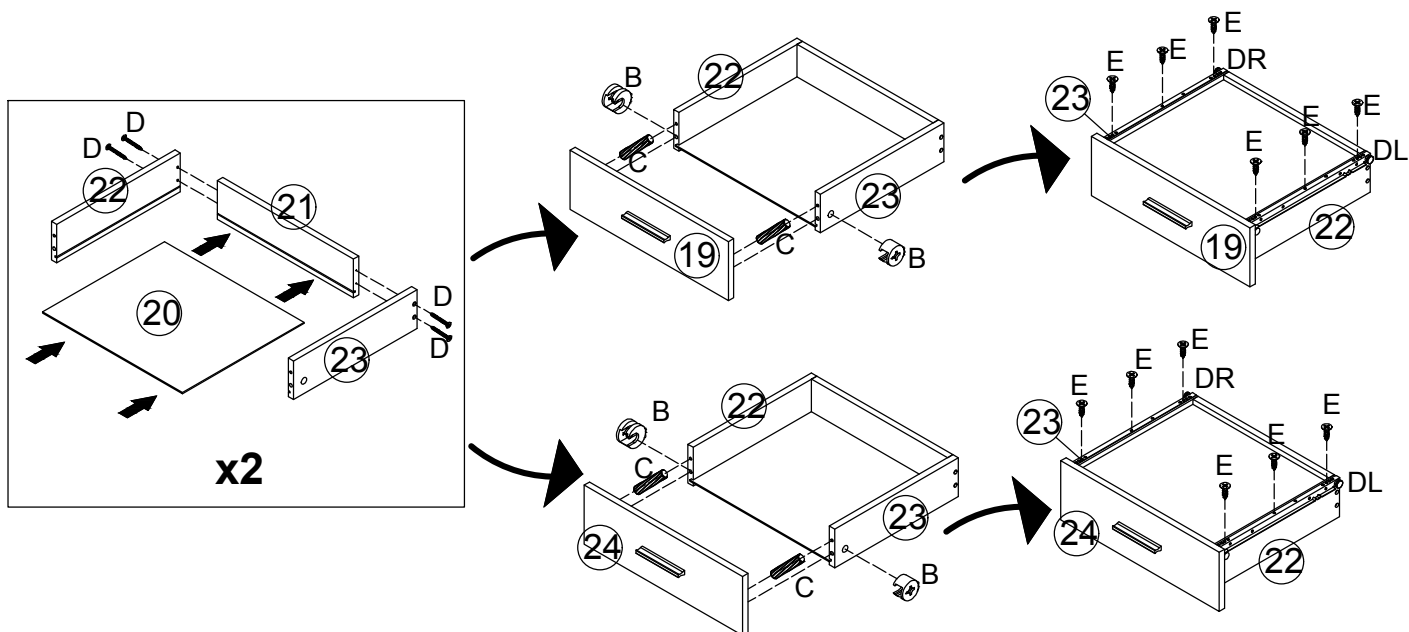
A	x22	B	x22	C	x26	D	x26	E	x24	F	x2
					6x30mm		4x40mm		3x12mm		
G	x12	H	x1	I	x7	J	x4	K	x4	L	x2
	6x40mm		4mm		4x50mm		4x25mm		4x30mm		
M	x2	CL	x2	CR	x2	DL	x2	DR	x2		
											







1



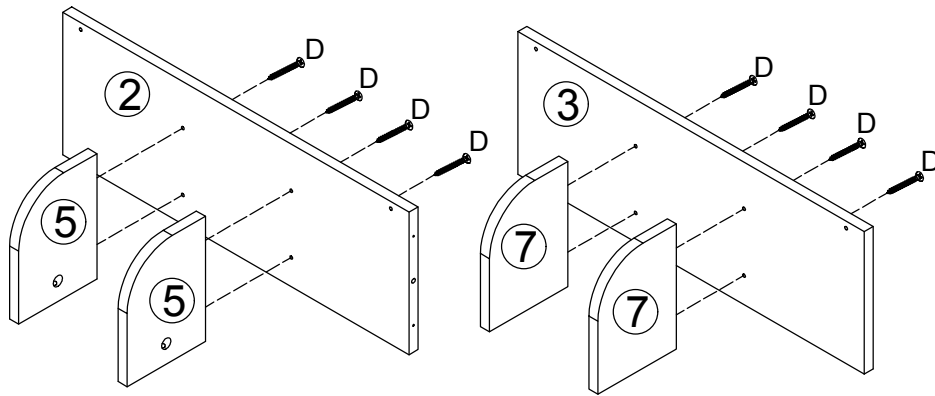
A	x22	E	x12	F	x2	CL	x2	CR	x2
									
		3x12mm							

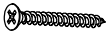
2



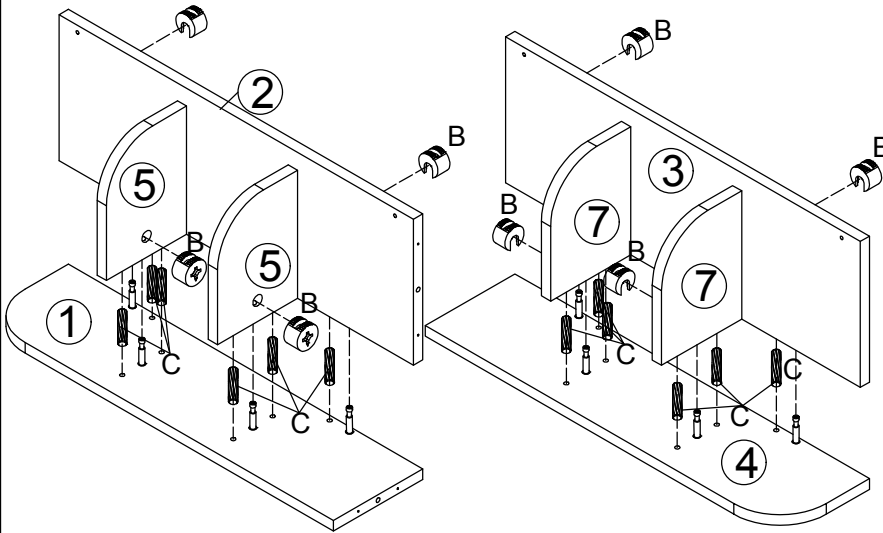
B	x4	C	x4	D	x8	E	x12	DL	x2	DR	x2
											
		6x30mm		4x40mm		3x12mm					


3




D	x8
	
4x40mm	

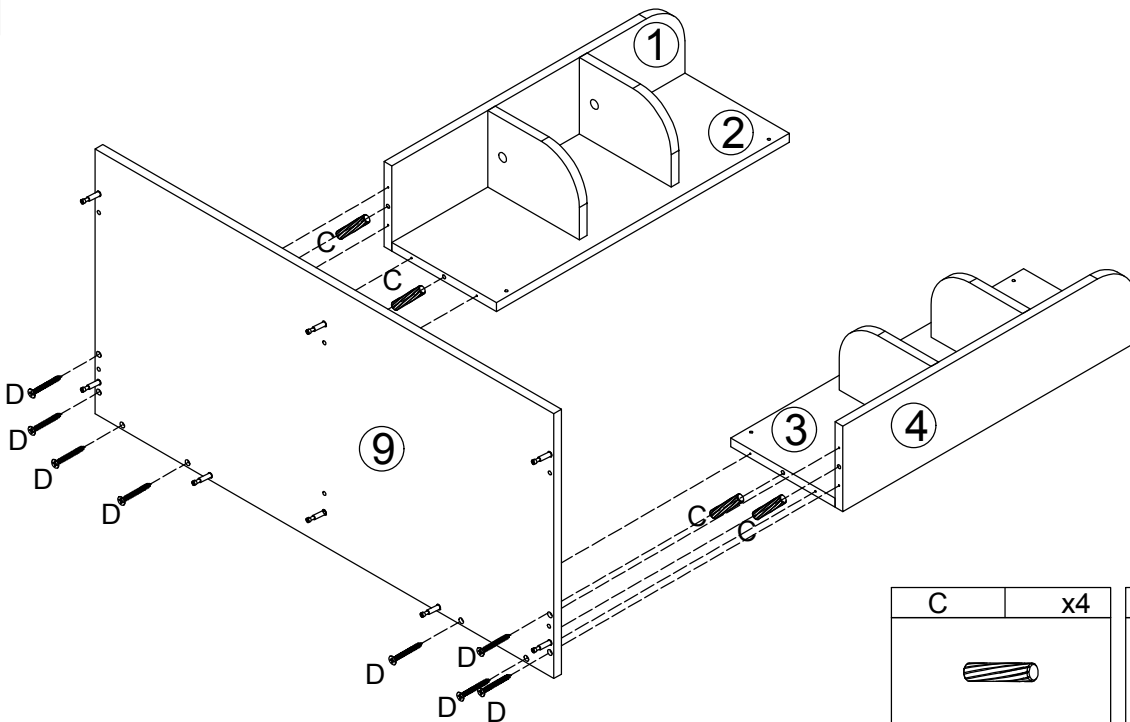
4





B	x8
	

C	x12
	
6x30mm	

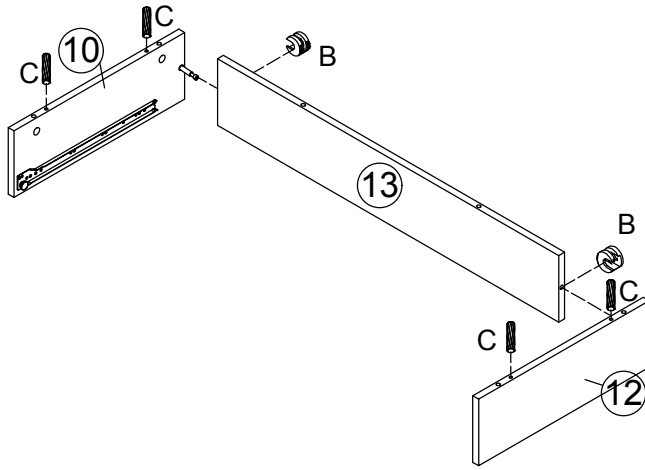
5



C	x4
	
6x30mm	

D	x8
	
4x40mm	

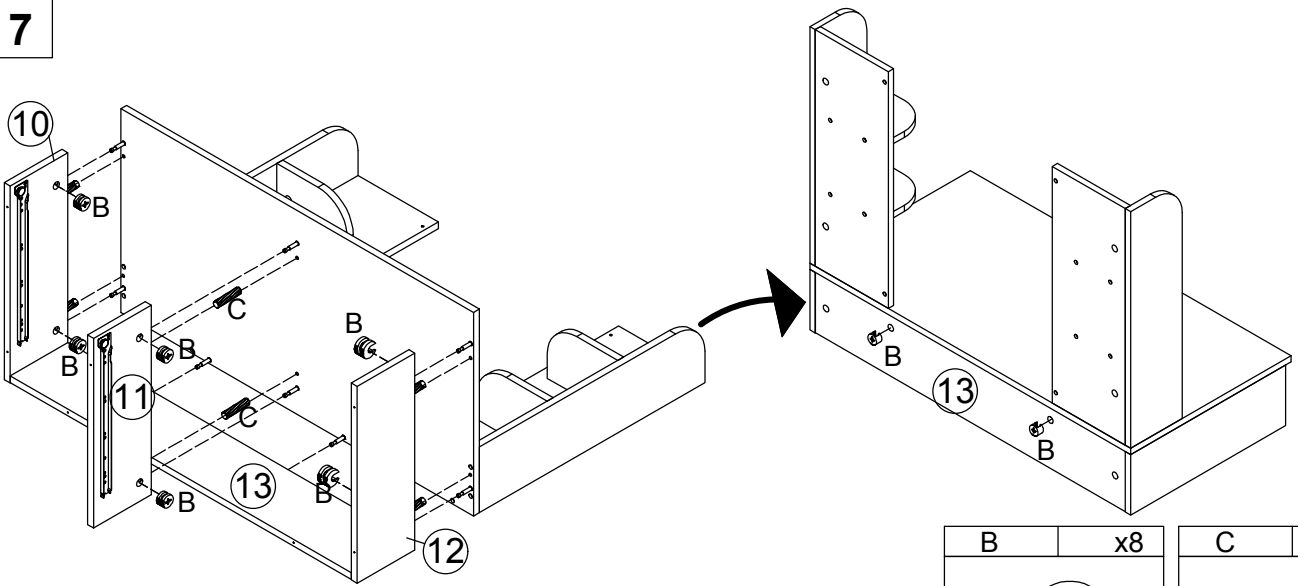
6



B	x2

C	x4
6x30mm	

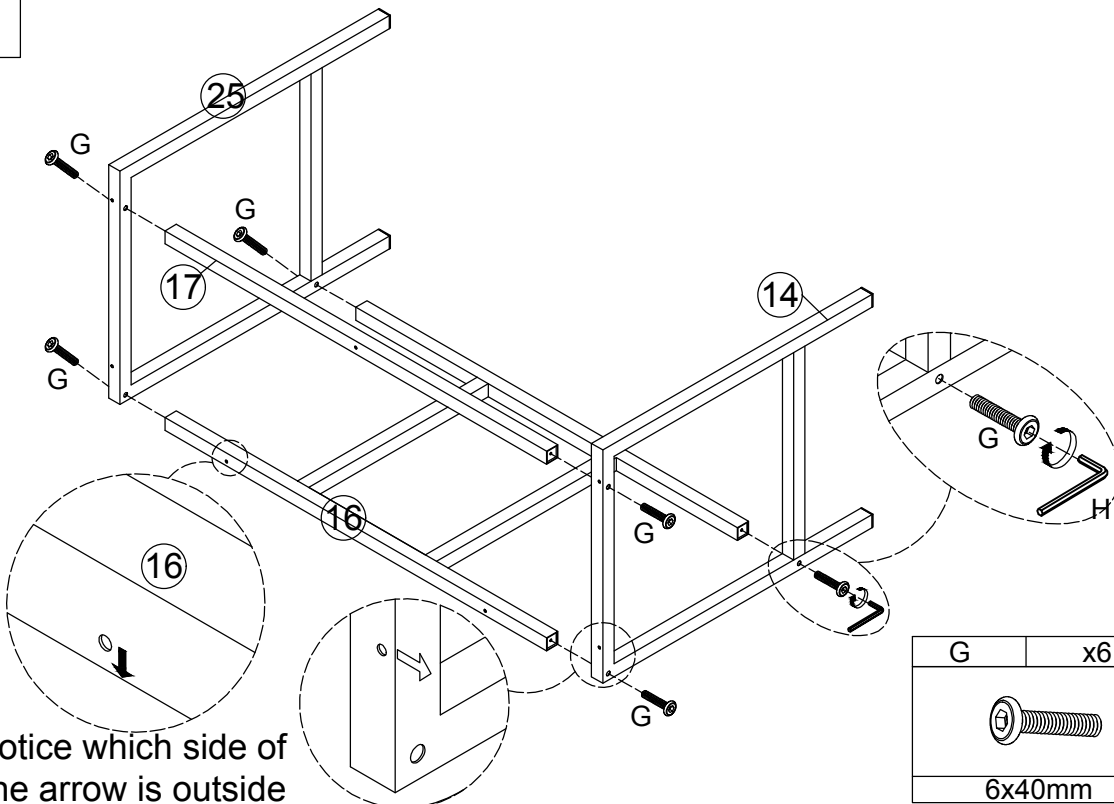
7



B	x8

C	x2
6x30mm	

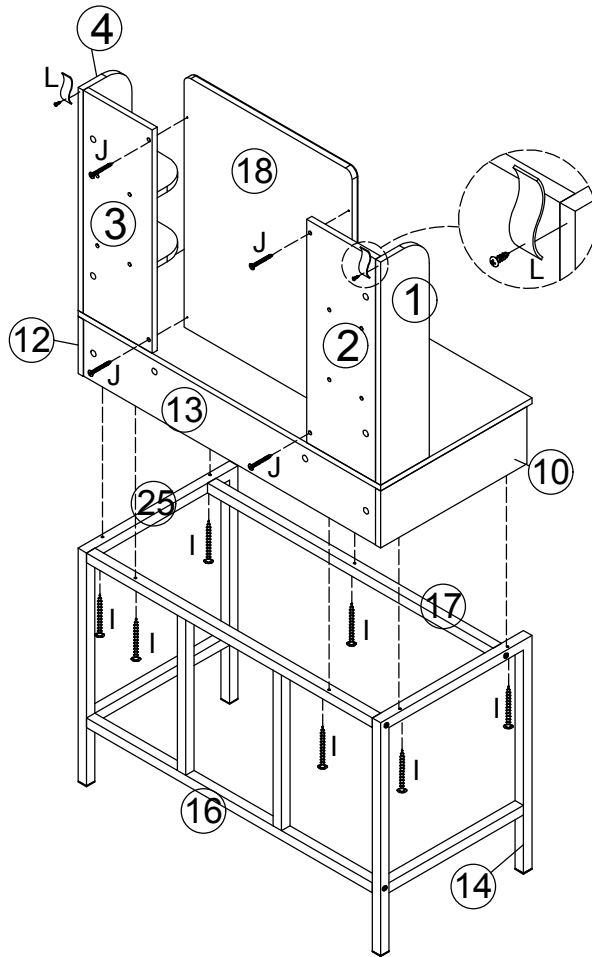
8




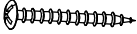
G	x6
6x40mm	



H	x1
4mm	

9

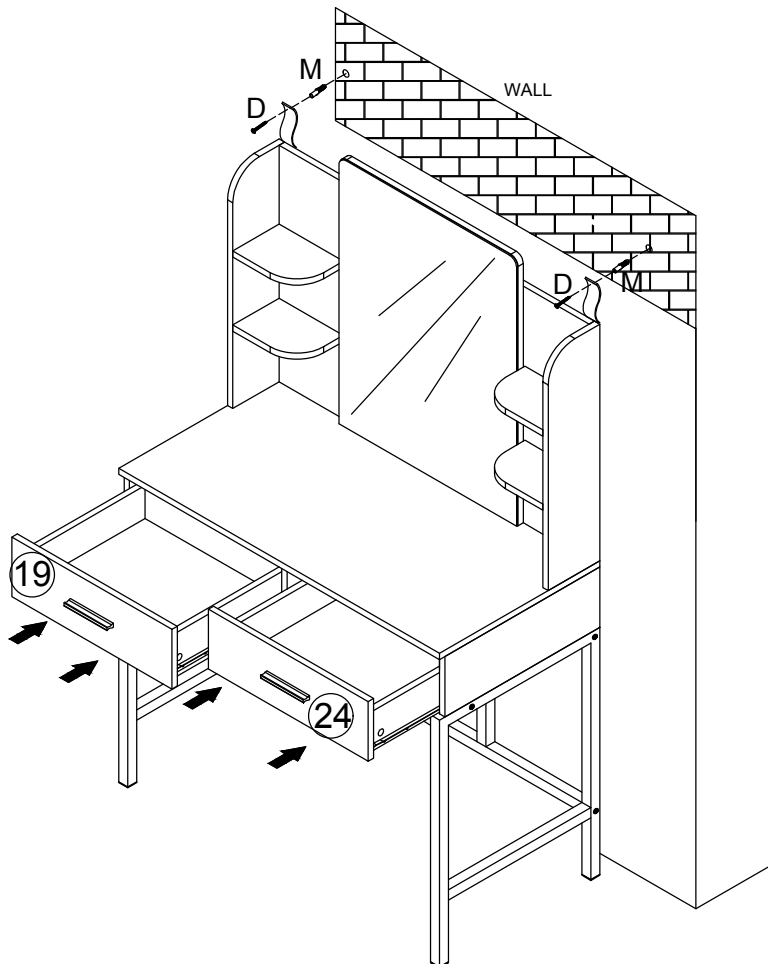



J	x4
	
4x25mm	

I	x7
	
4x50mm	

L	x2
 	

10



D	x2
	
4x40mm	

M	x2
