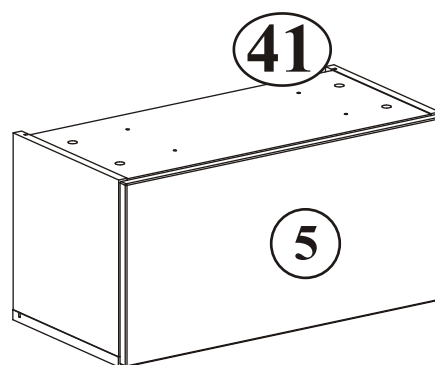
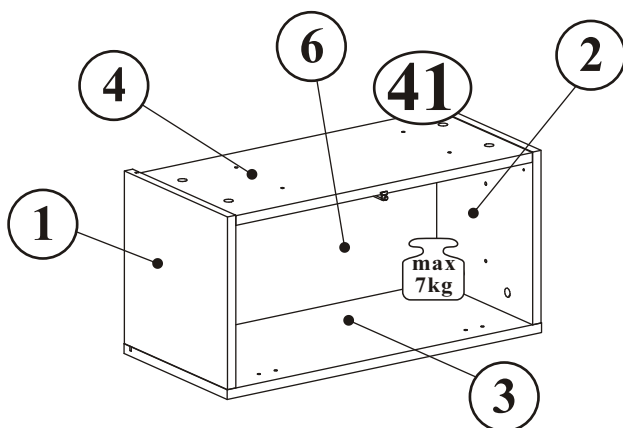
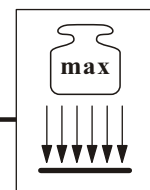


1 - 6

NO	Dim.			Col-No	Qty
1	286	286	16	1	1
2	286	286	16	1	1
3	568	266	16	1	1
4	602	286	16	1	1
5	596	296	16	1	1
6	580	288	3	1	1

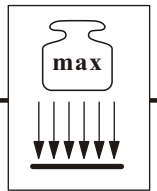
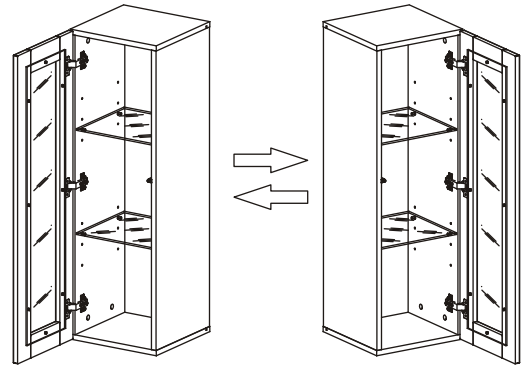
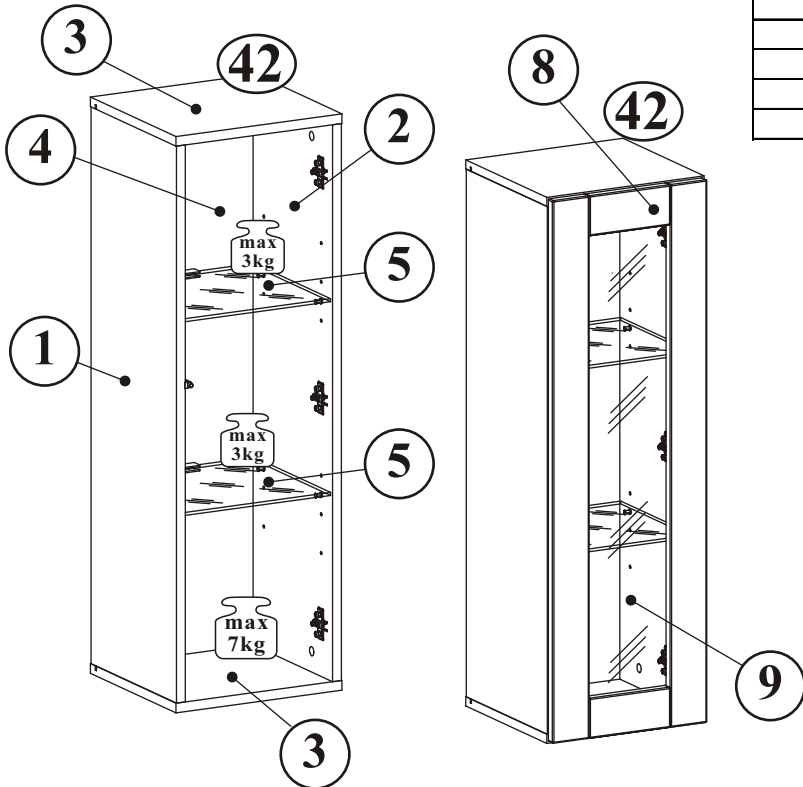


7 - 11

NO	Dim.			Col-No	Qty
1	286	286	16	1	1
2	286	286	16	1	1
3	602	286	16	1	1
4	568	266	16	1	1
5	596	296	16	1	1
6	580	288	3	1	1

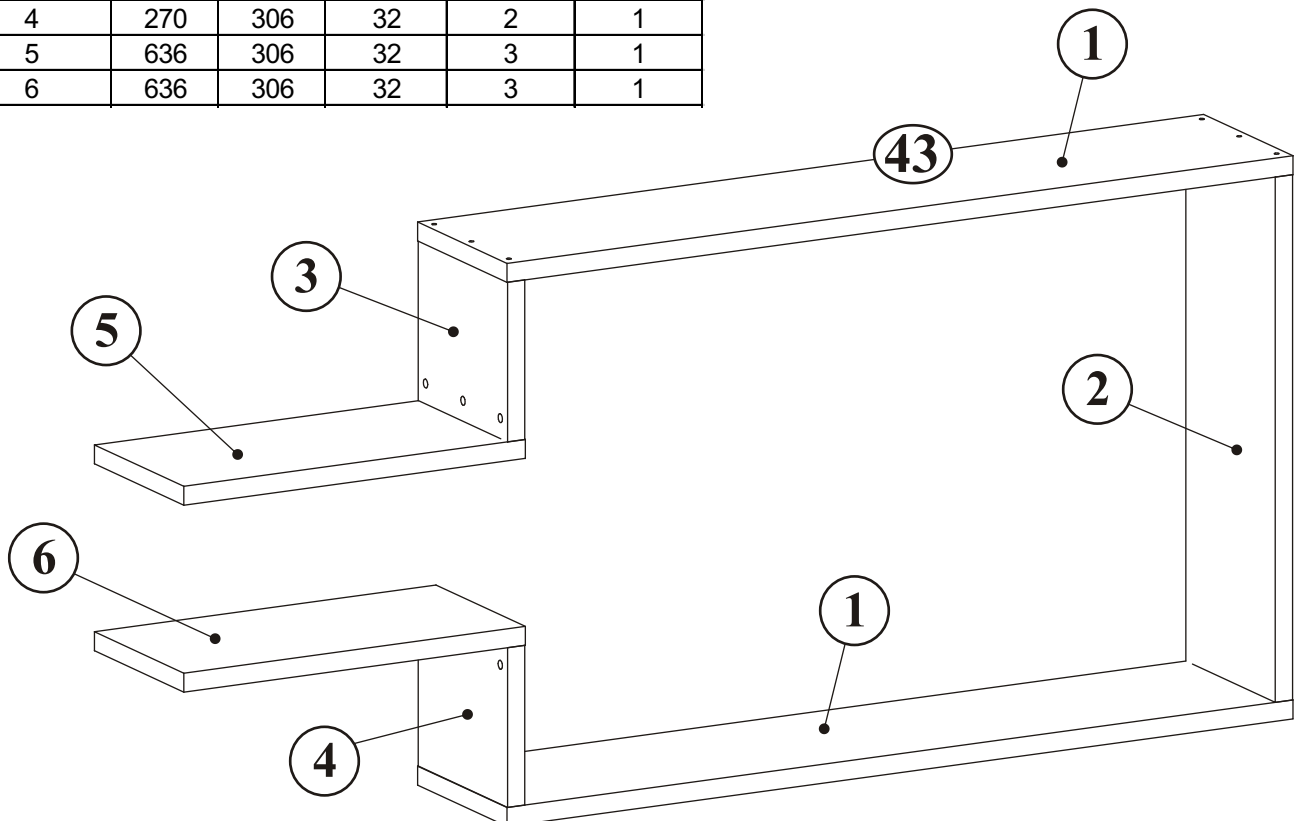
12 - 17

NO	Dim.			Col-No	Qty
1	920	286	16	2	1
2	920	286	16	2	1
3	302	286	16	2	2
4	932	280	3	2	1
5	267	256	5	2	2
8	946	296	16	2	1
9	856	206	4	2	1

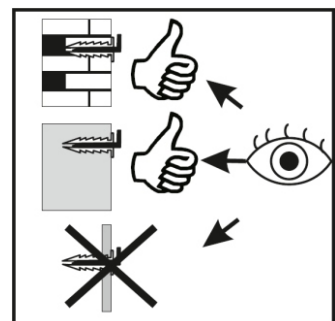
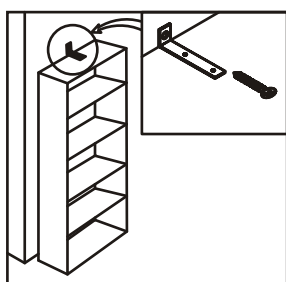
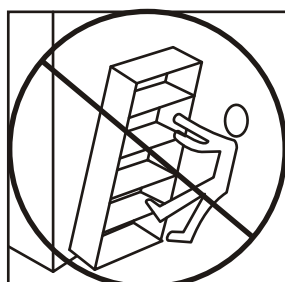
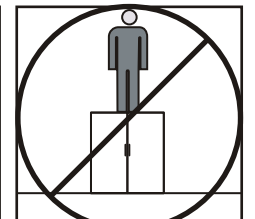
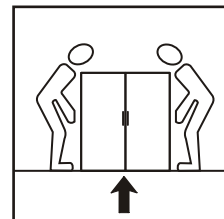
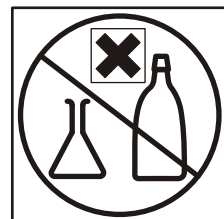
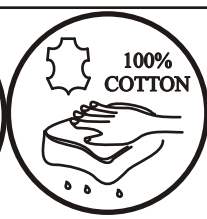
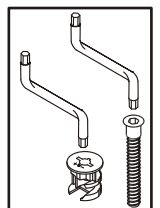
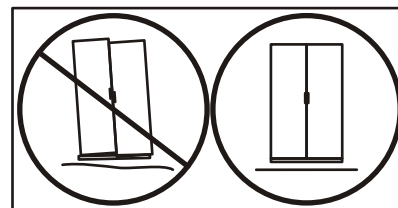
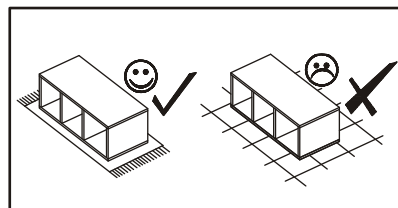
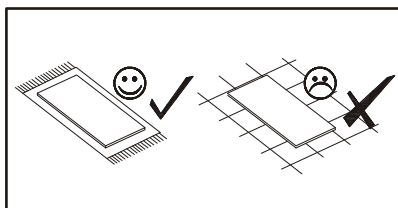
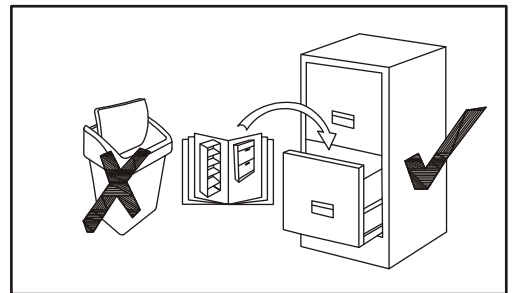
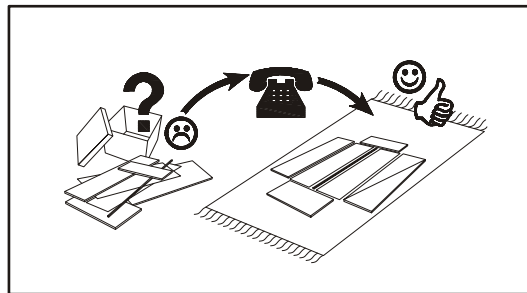
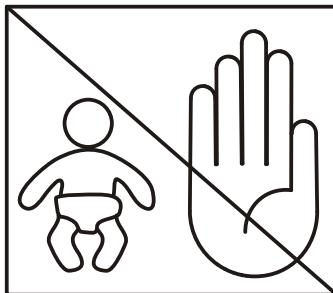
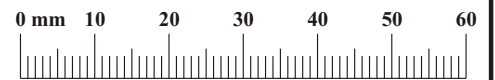


NO	Dim.			Col-No	Qty
1	1464	306	32	3	2
2	888	306	32	2	1
3	270	306	32	3	1
4	270	306	32	2	1
5	636	306	32	3	1
6	636	306	32	3	1

18 - 20



A1 x24 ø8x36	B4 x30	B5 x24 ø15x12	G5 x16	ZXL x3	ZXP x3
S1 x16	E2 x6 H=0	E21 x6 ø35 H=0	G20 x8	LED x1 x2	UP13 x18 UPø3x16
Z2 x12 ø5	T1 x3	P2 x8	B16 x6 ø15x16	PP1 x4	G2 x1
B13 x12 ø7x70	G4 x12	D10 x28 USø3,5x13	KR2 x6 ø8	D23 x16 USø3,5x35	G12 x16 ø14
BP1 x2					



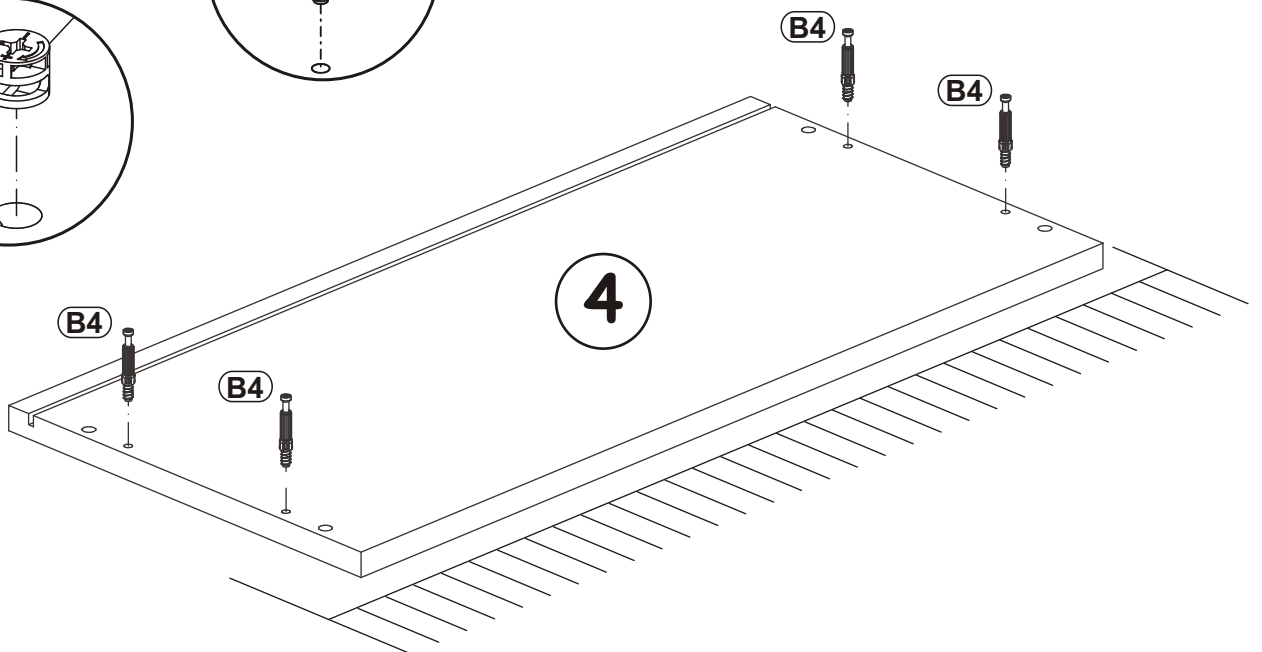
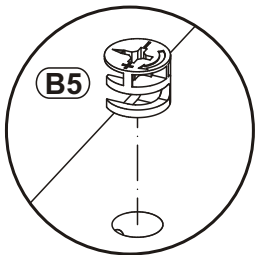
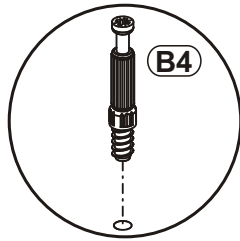
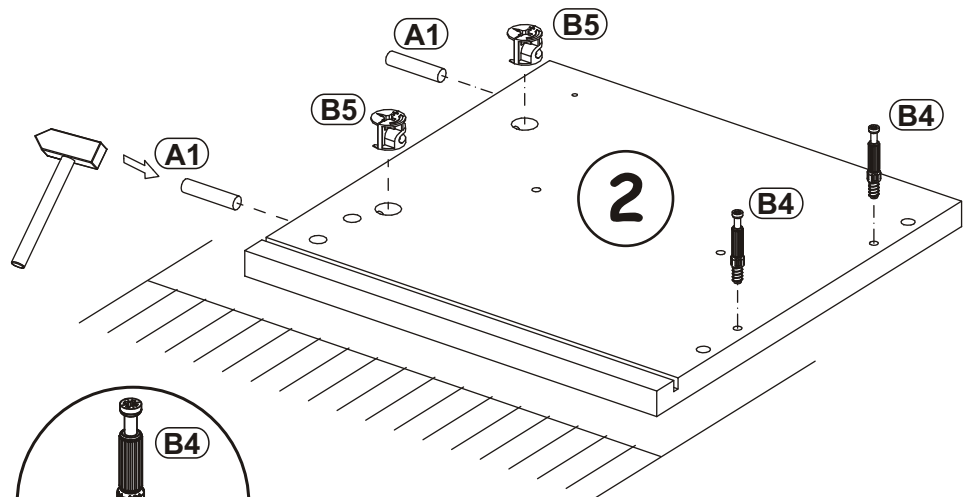
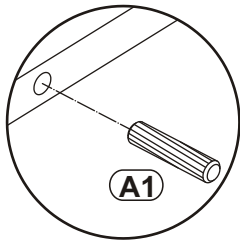
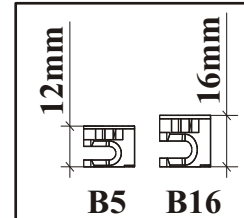
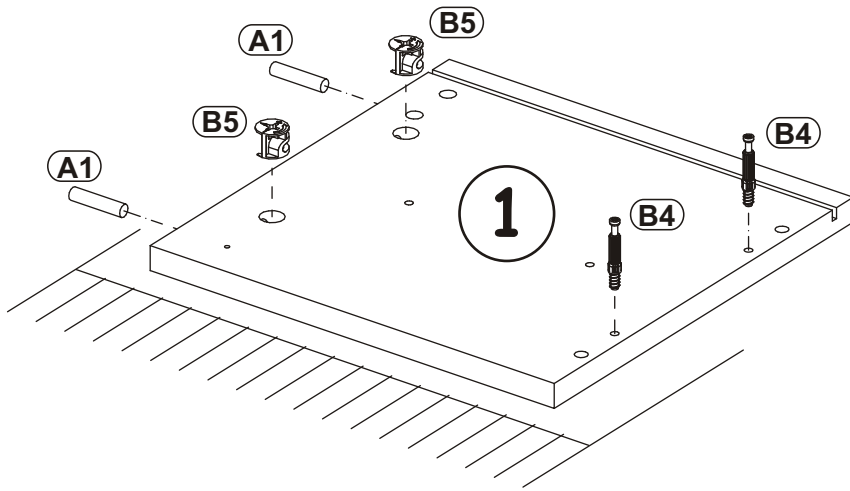
1

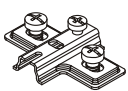

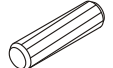
40



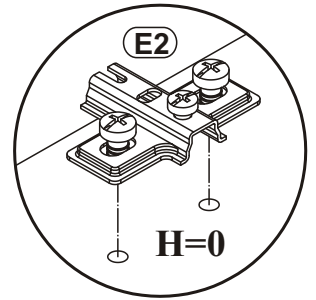
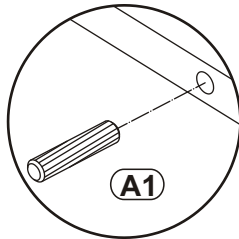
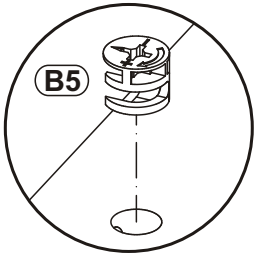
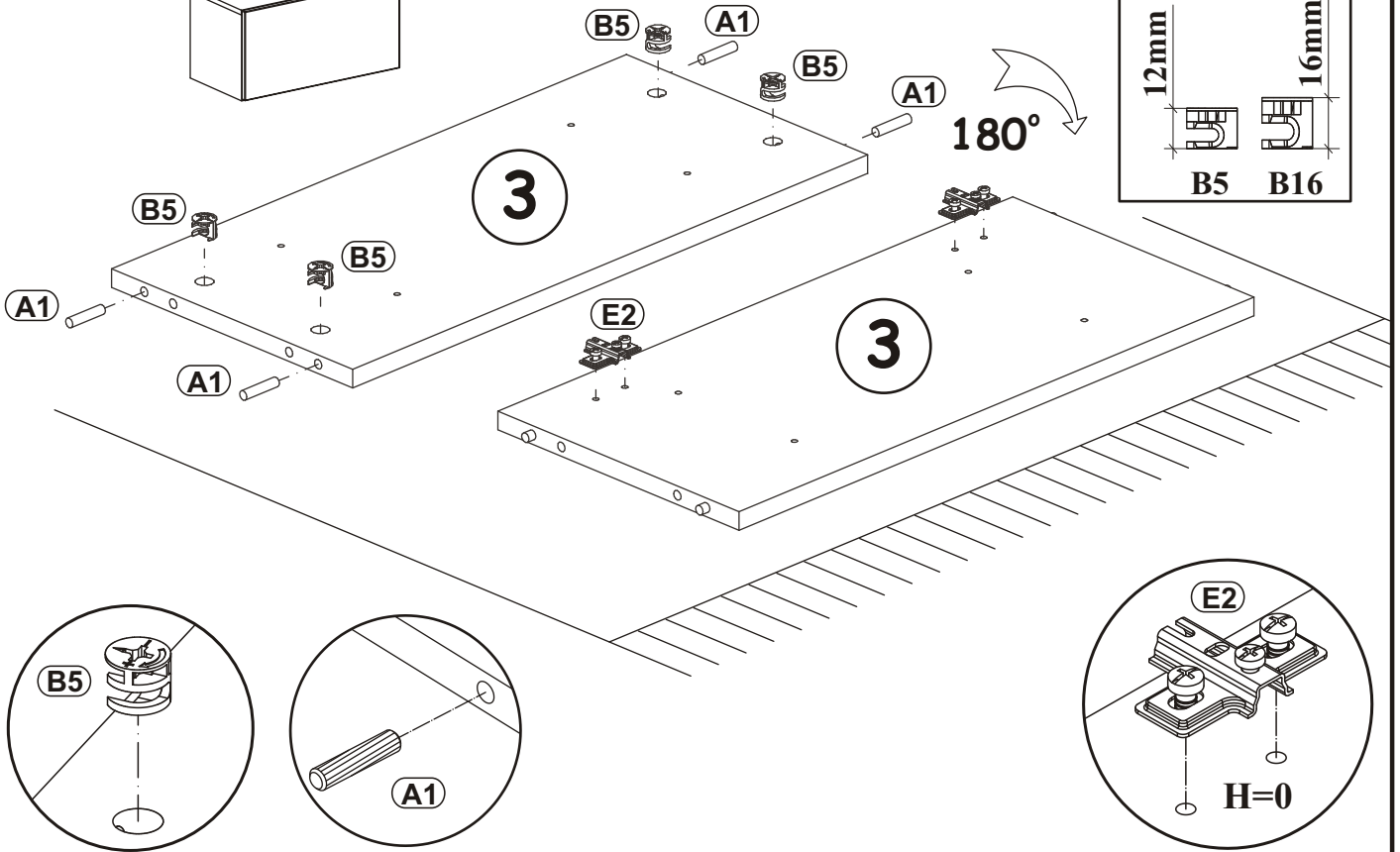
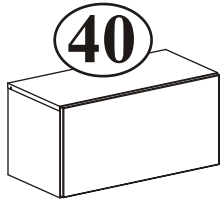
B5		A1	
x4	ø15x12	x4	ø8x36

B4	
x8	

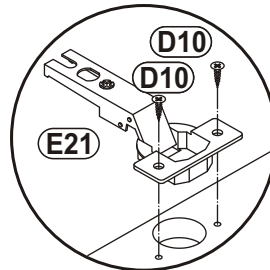
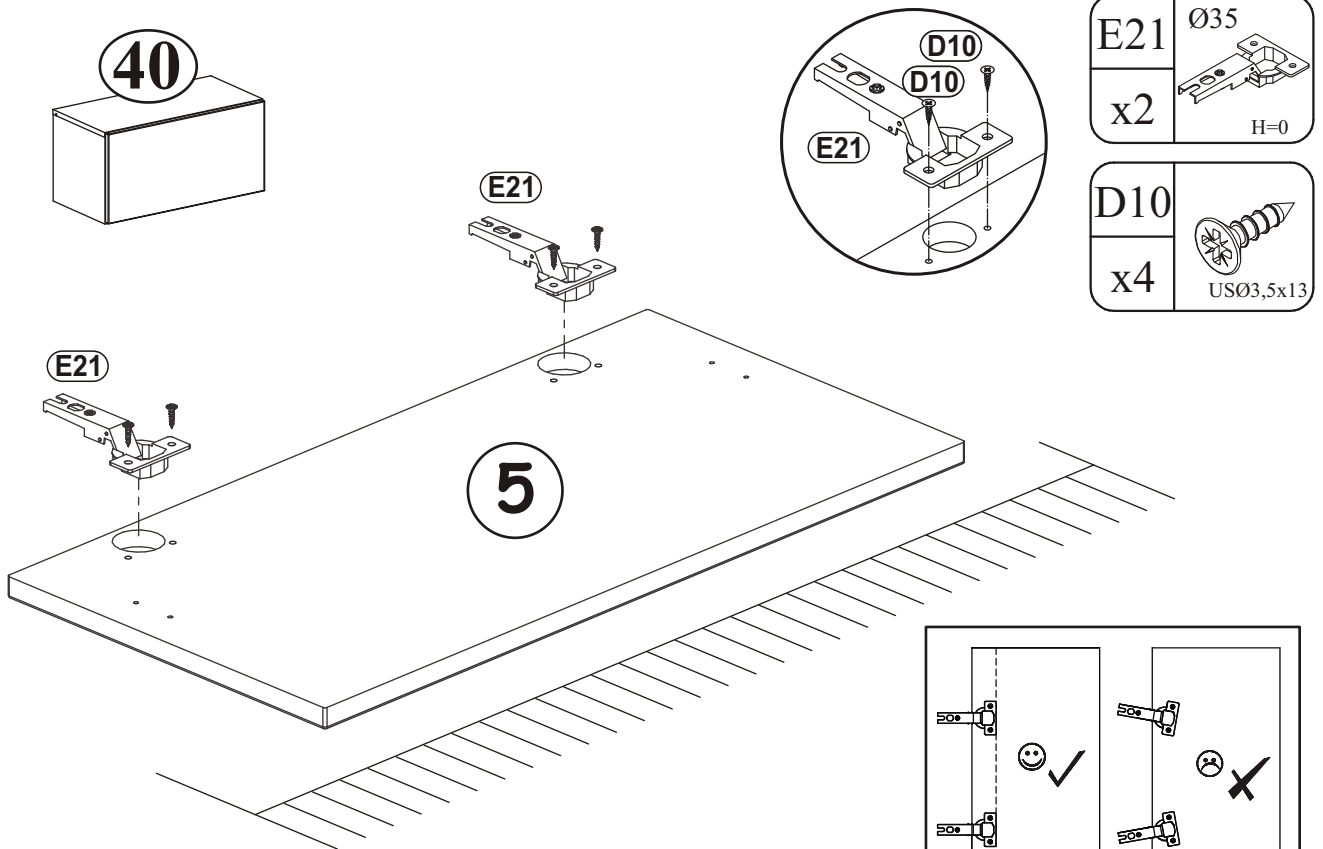
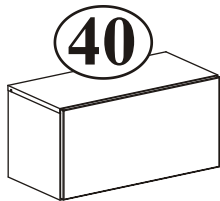


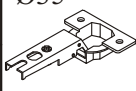

E2		B5		A1	
x2	H=0	x4	ø15x12	x4	ø8x36

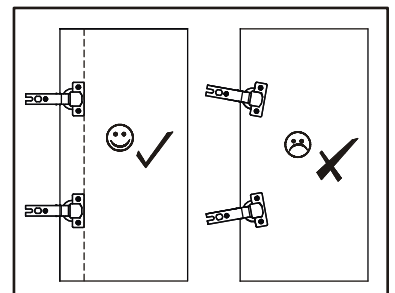
2



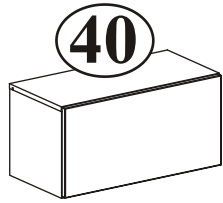
3



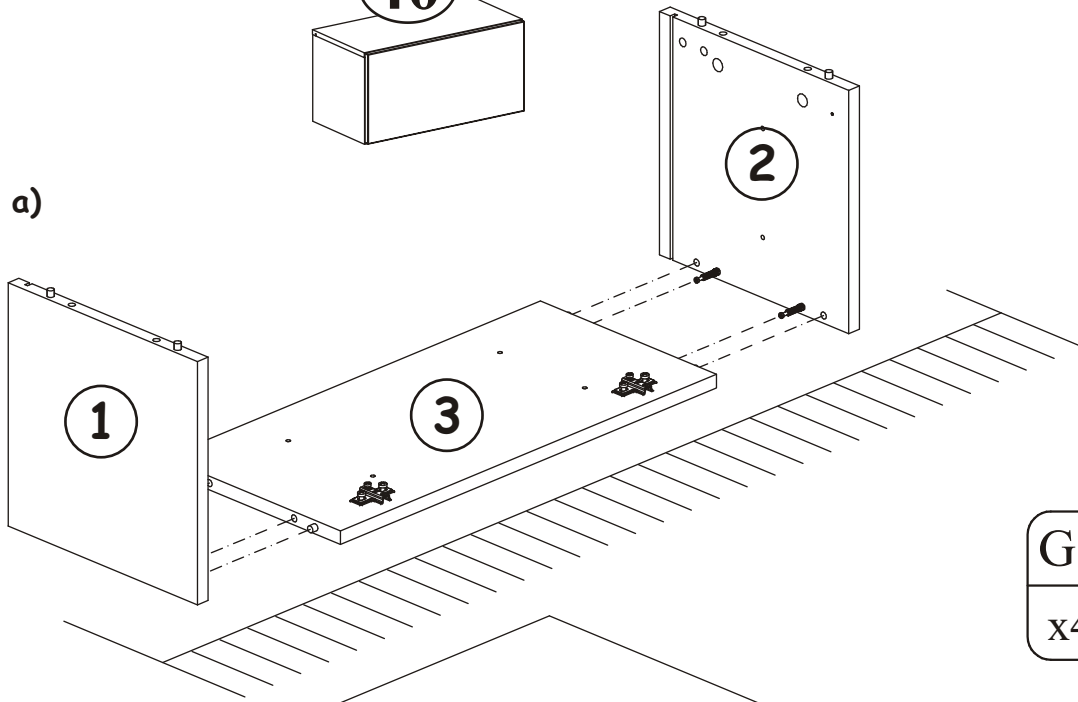
E21	Ø35	
x2	H=0	
D10		
x4	USØ3,5x13	



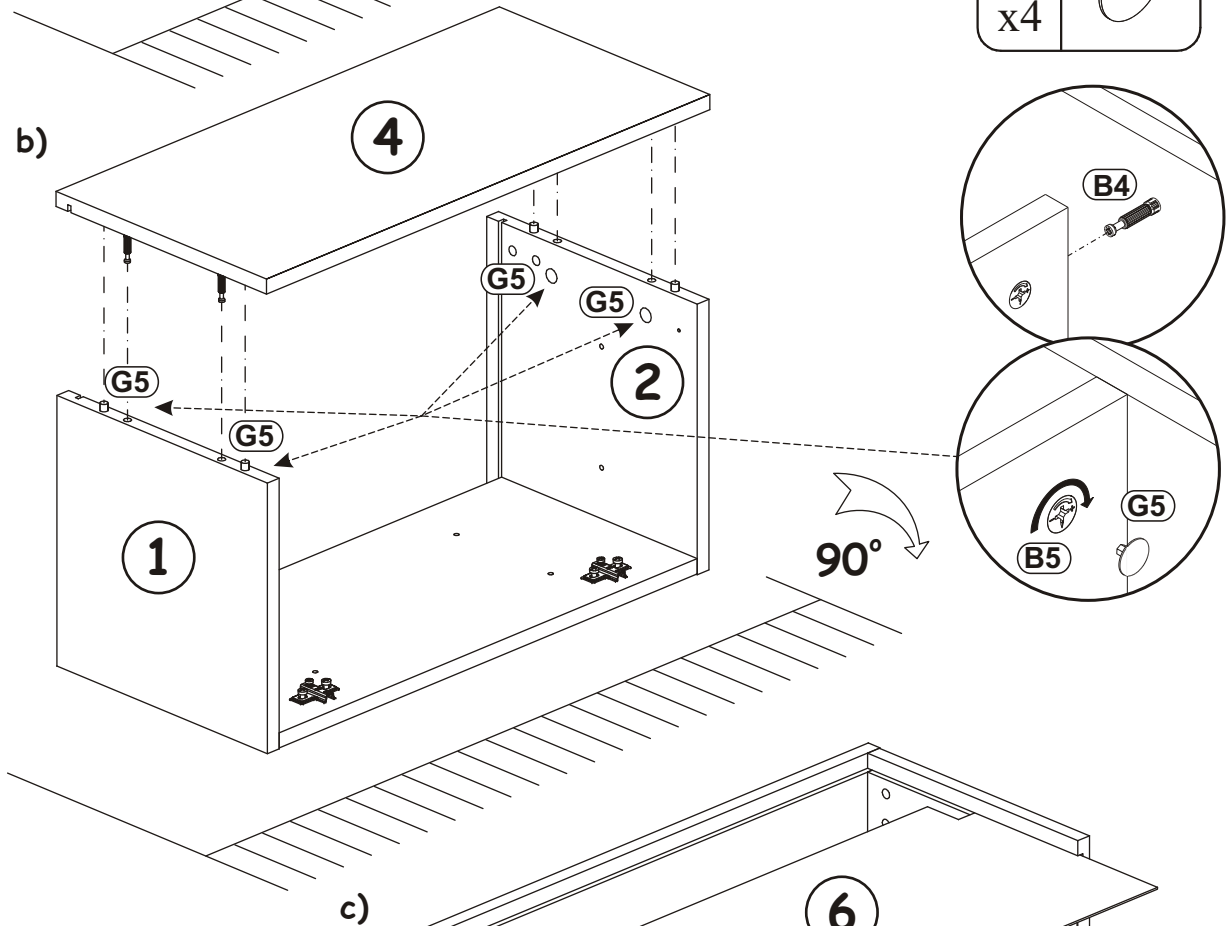
4



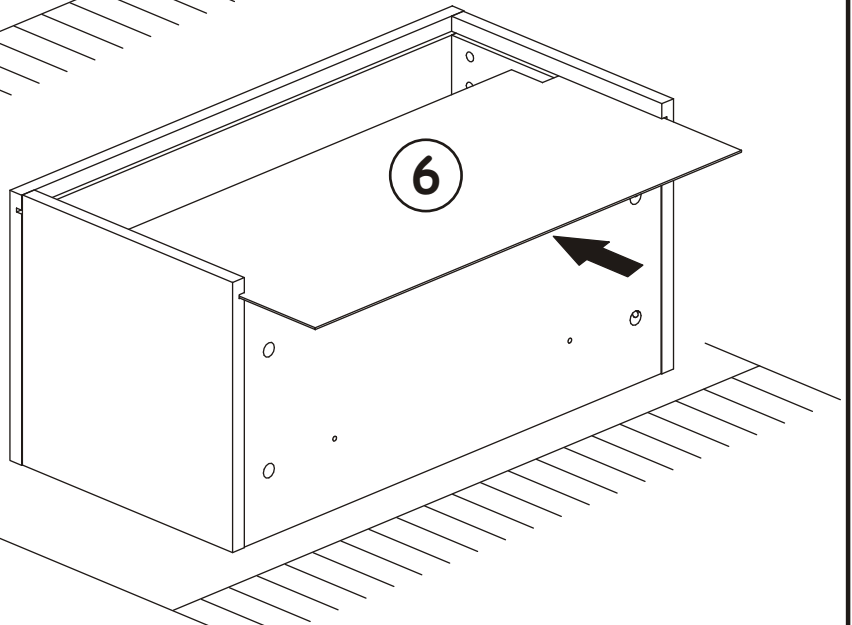
a)



b)

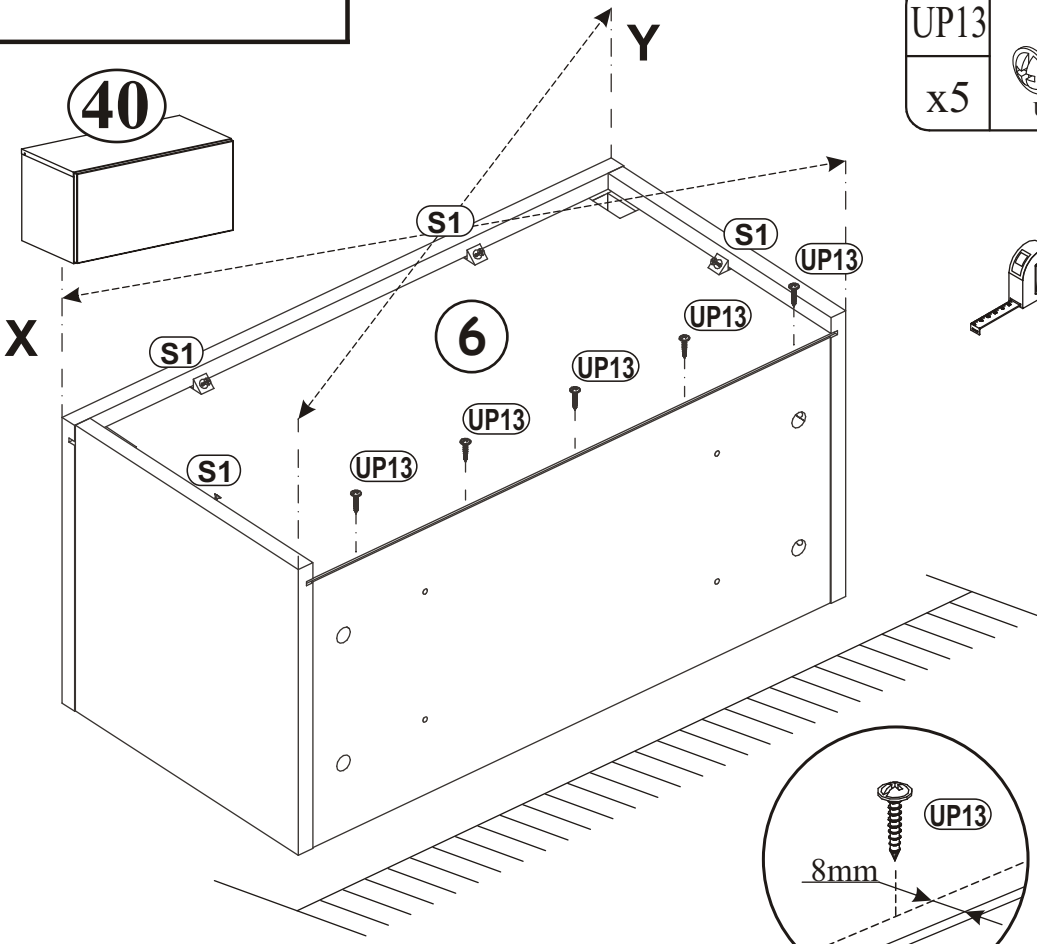


c)

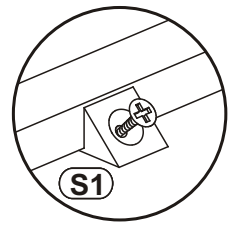
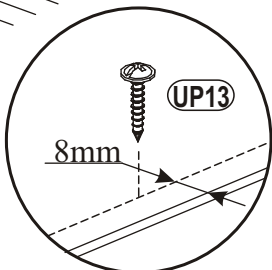
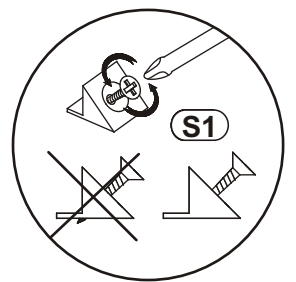


5

40

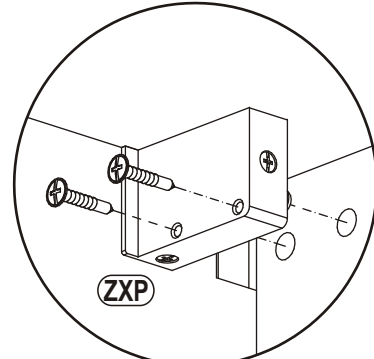
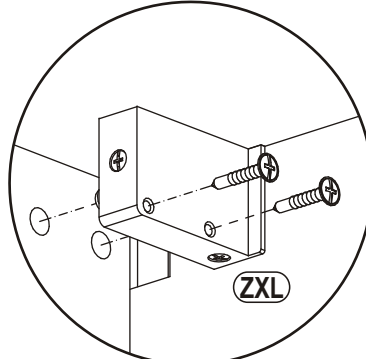
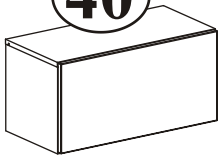


UP13		S1	
x5	UPØ3x16	x4	



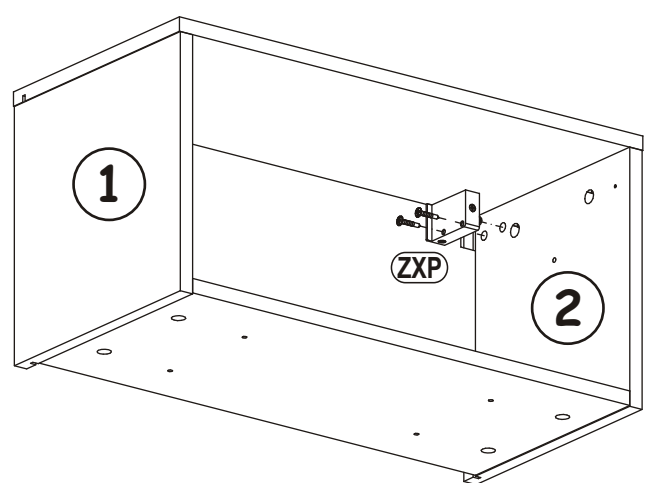
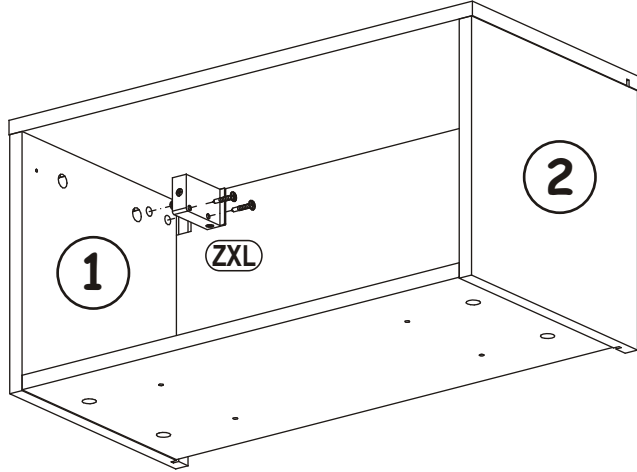
6

40



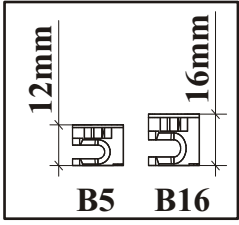
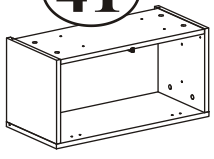
ZXL	
x1	

ZXP	
x1	



7

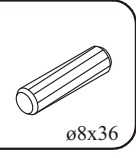
41



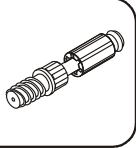
B5
x8



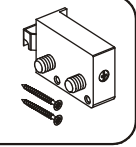
A1
x8



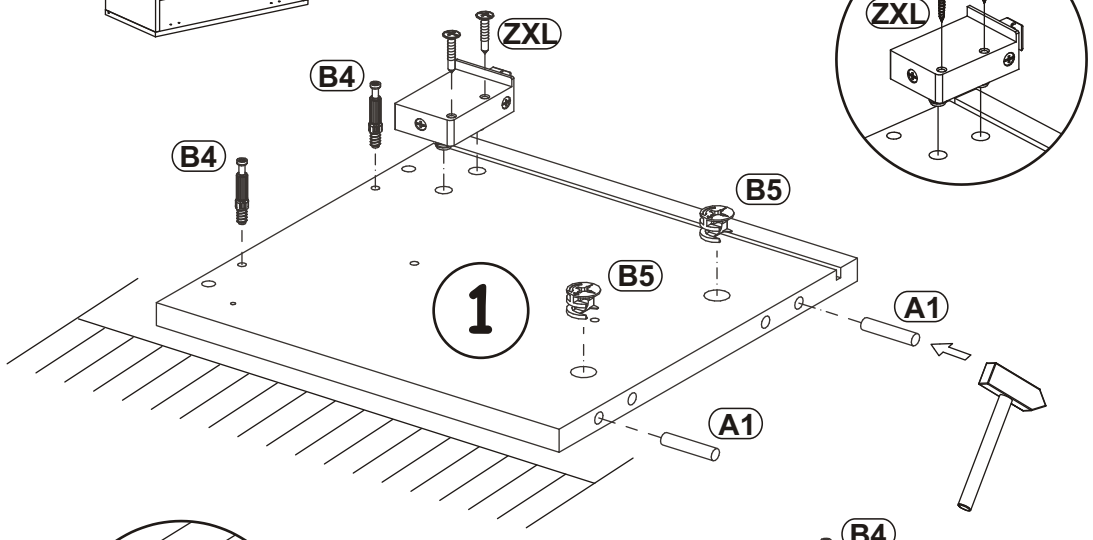
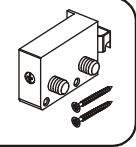
B4
x4



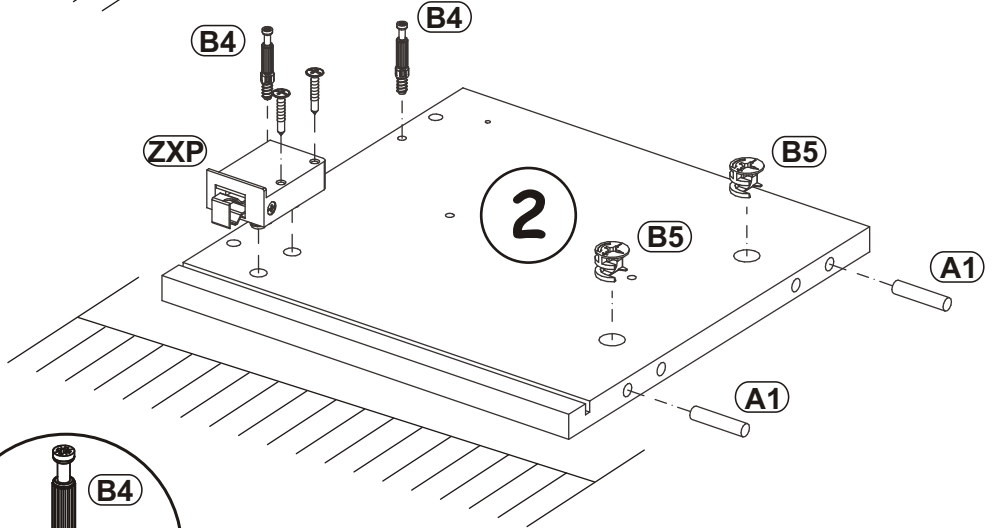
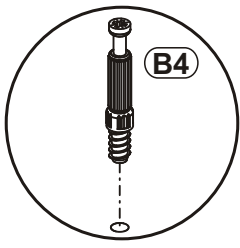
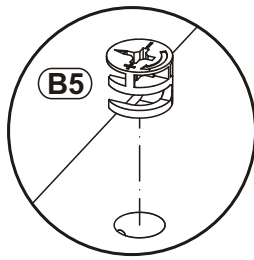
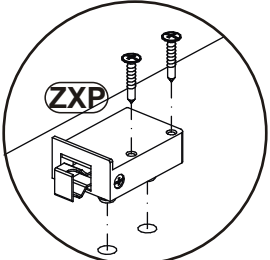
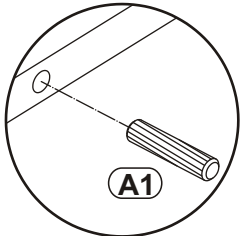
ZXL
x1



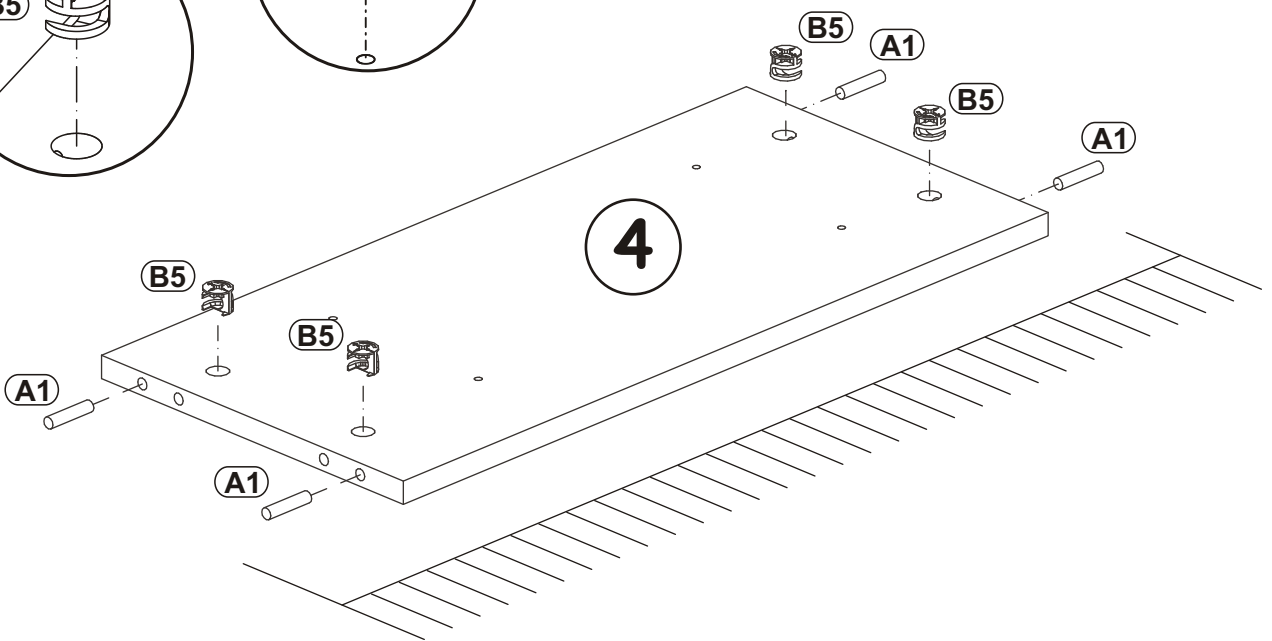
ZXP
x1



1

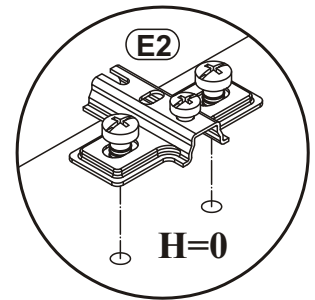
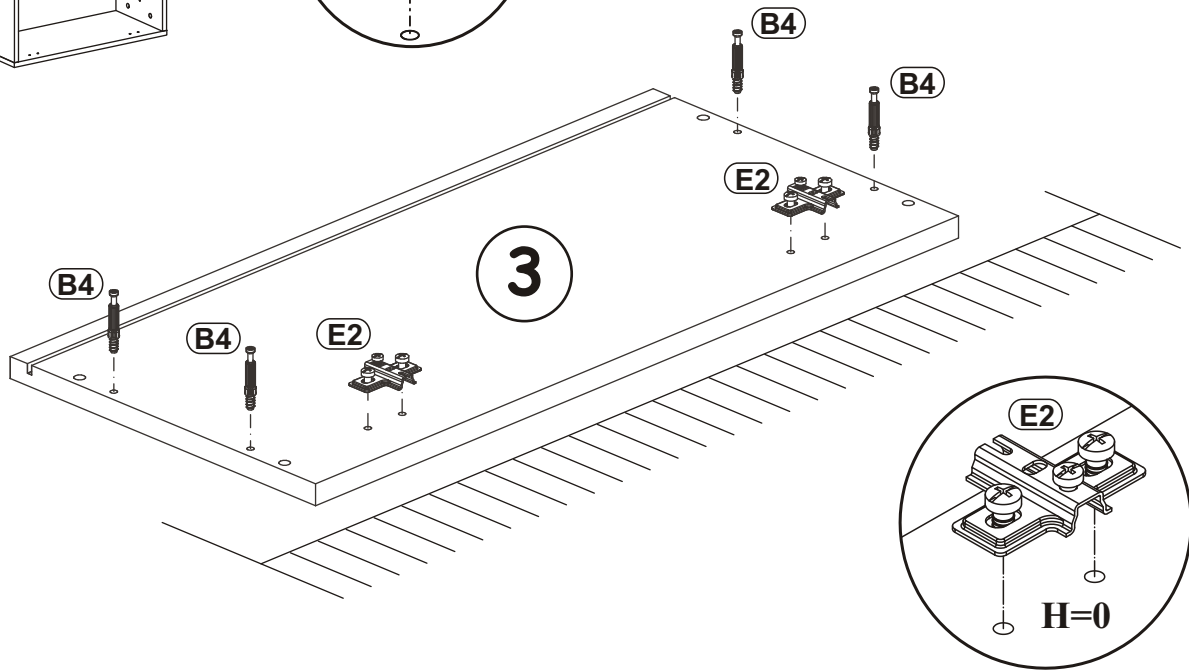
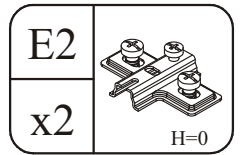
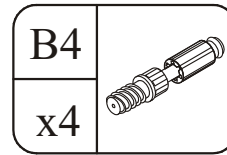
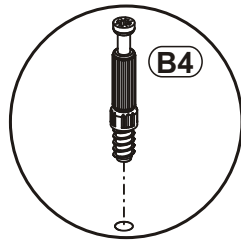


2

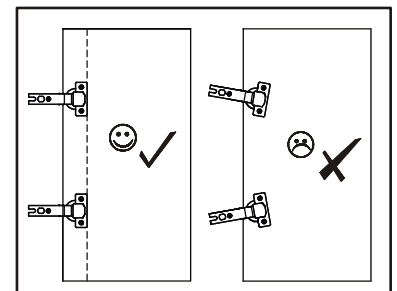
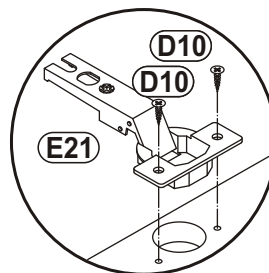
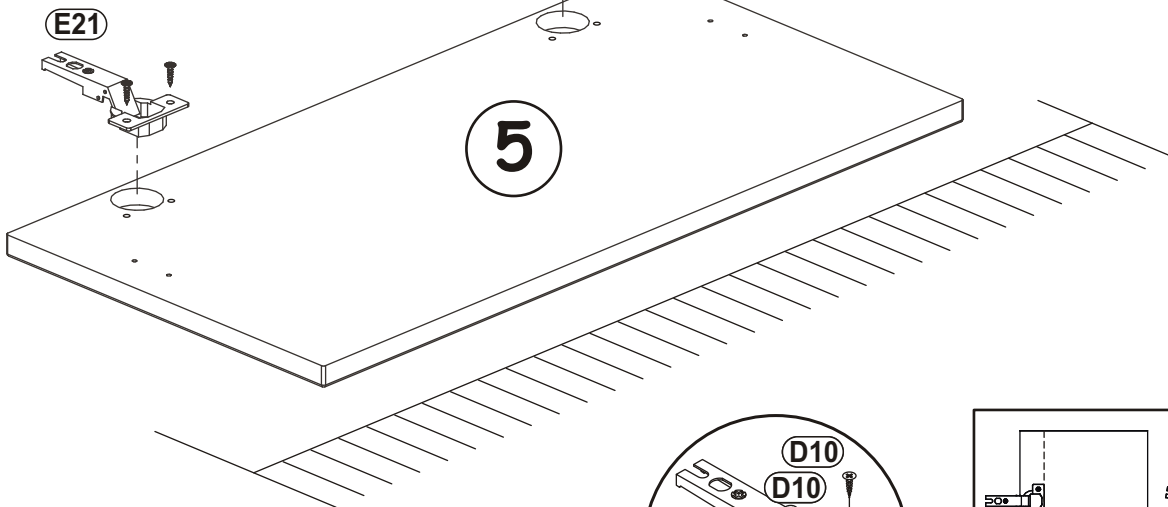
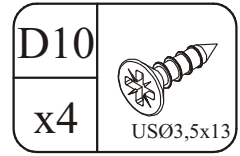
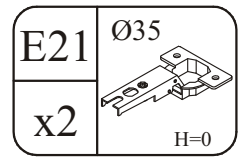
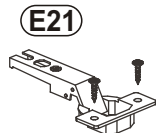
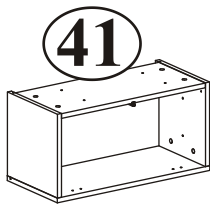


4

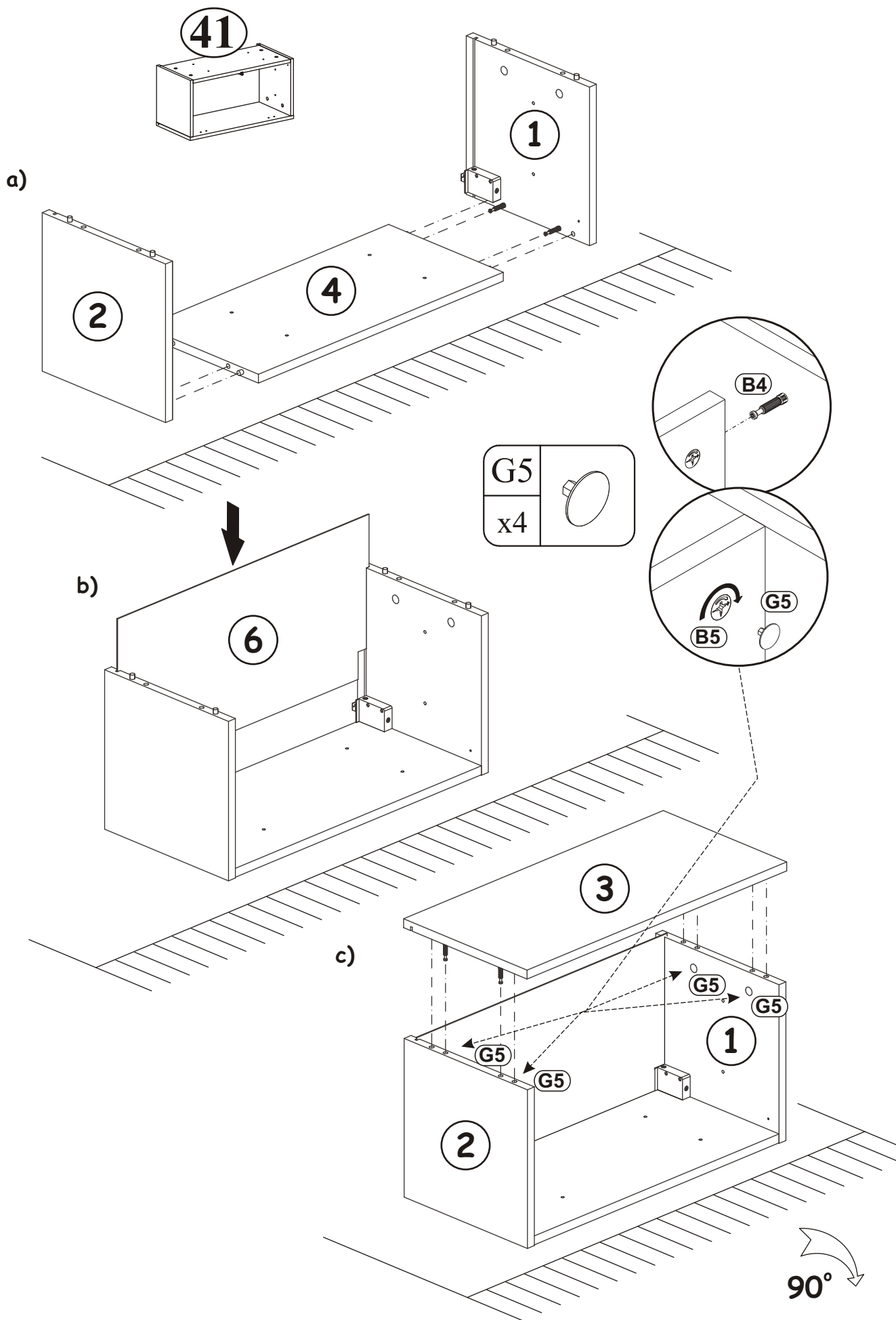
8



9

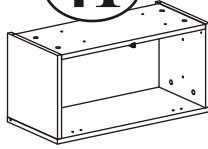



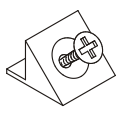
10

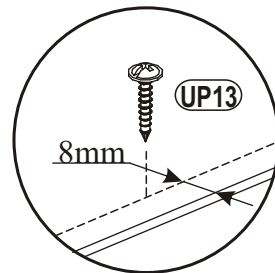
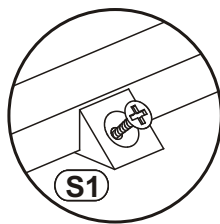
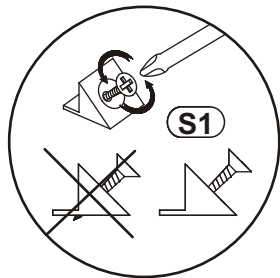
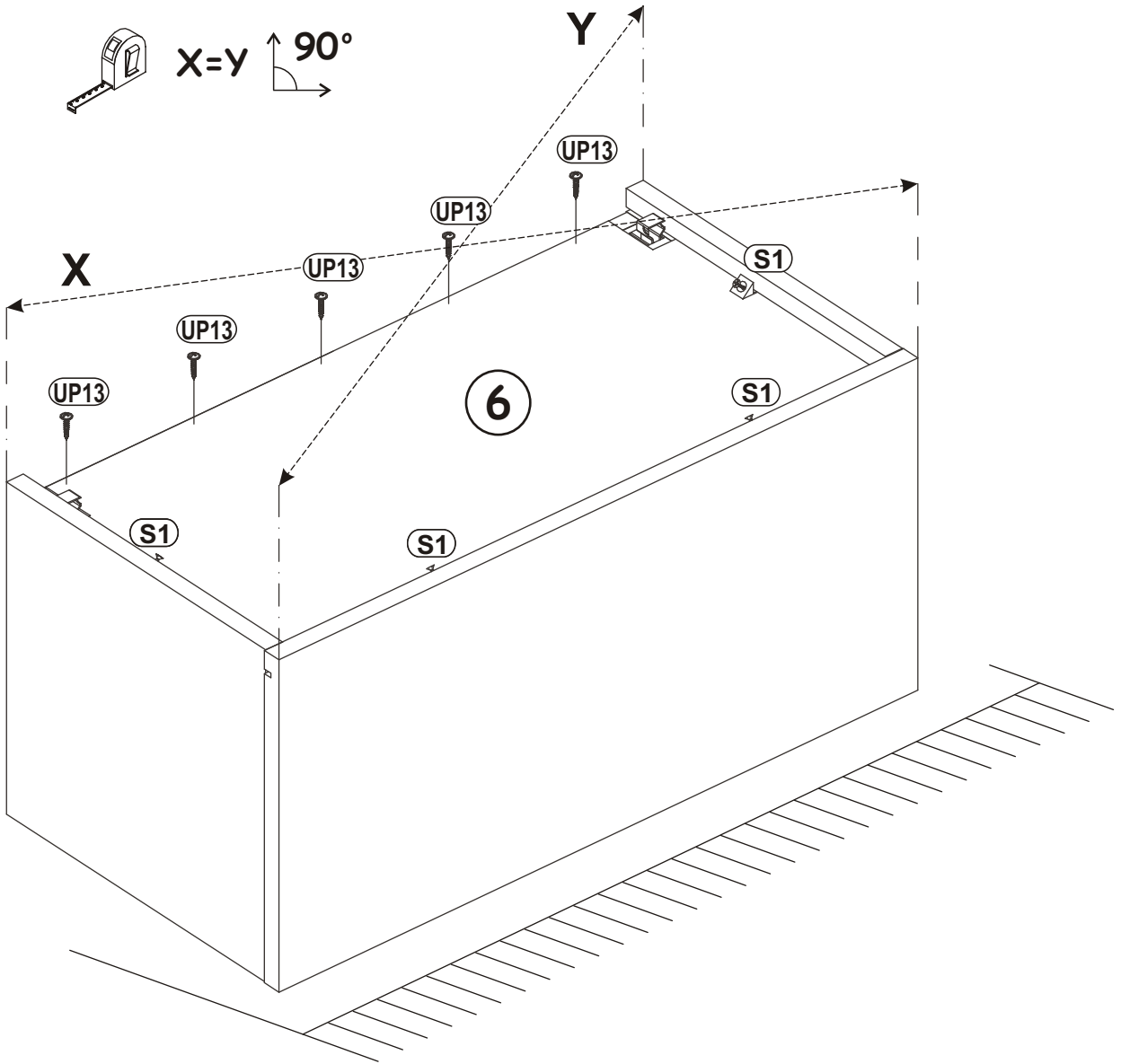


11

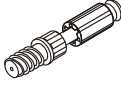
41

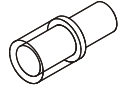



UP13		S1	
x5	UPØ3x16	x4	

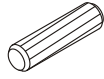


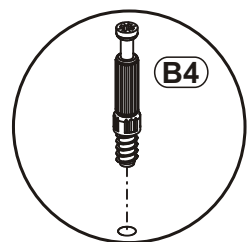
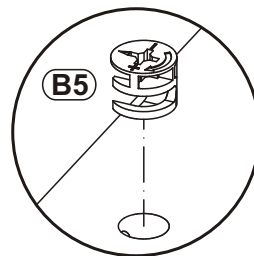
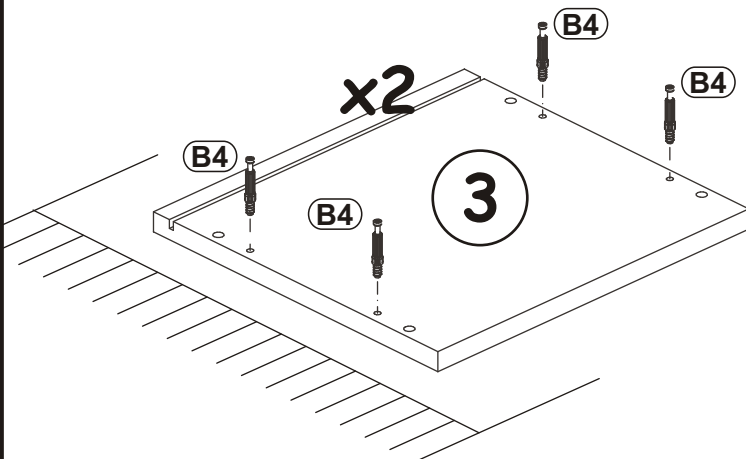
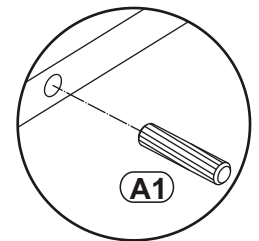
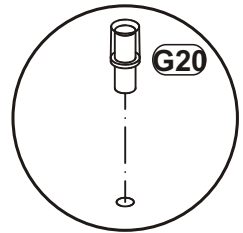
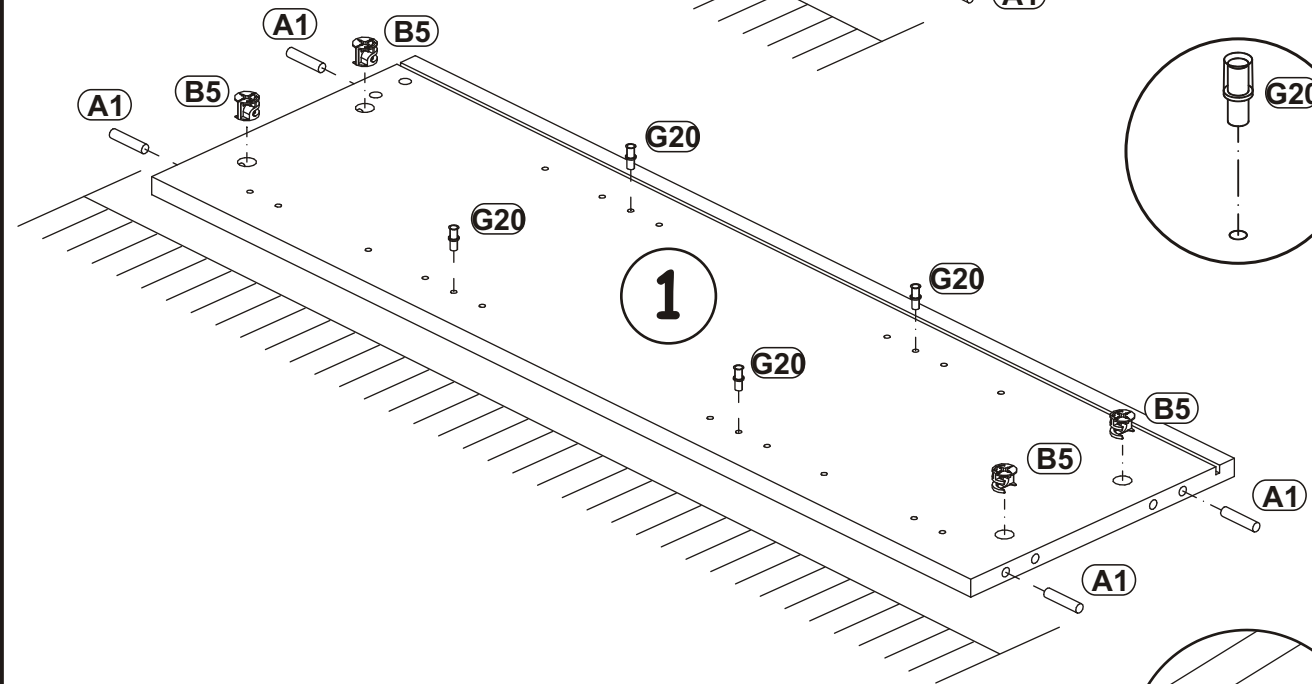
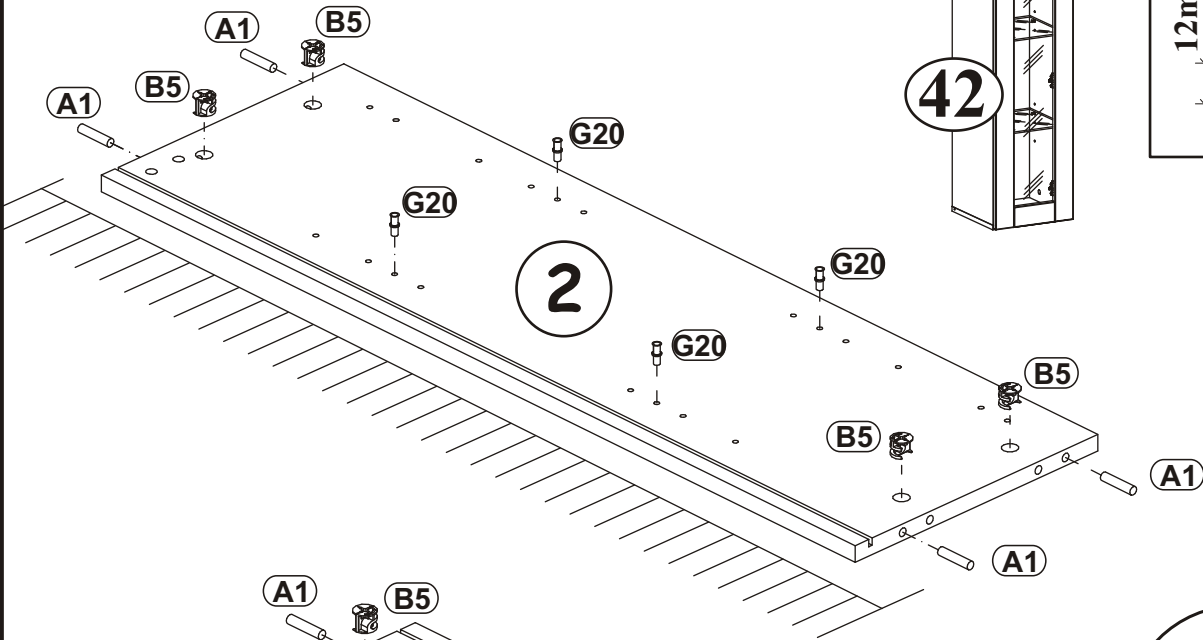
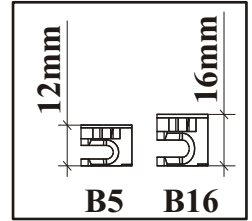
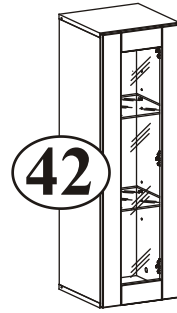
12

B4	
x8	

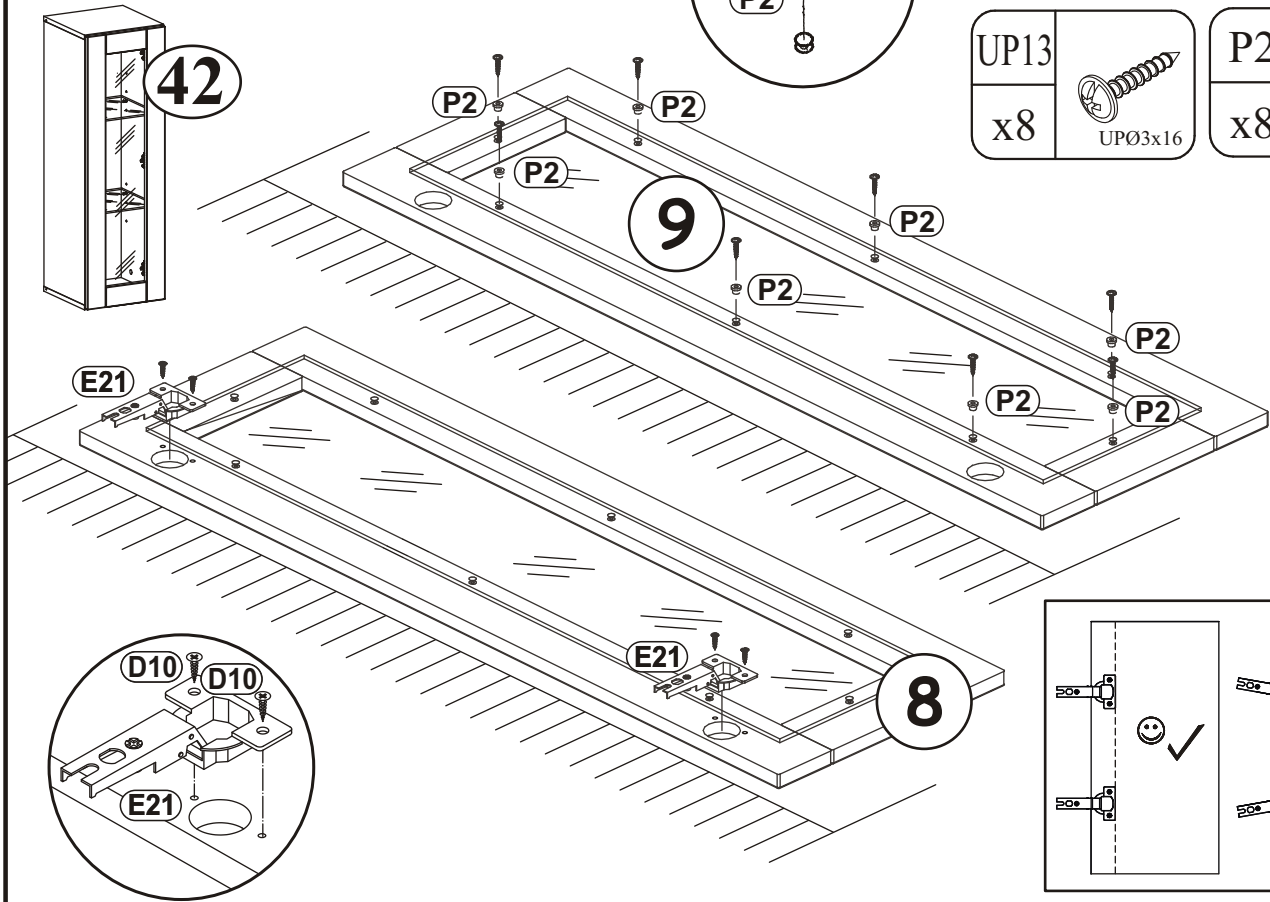
G20	
x8	

B5	
x8	$\phi 15 \times 12$

A1	
x8	$\phi 8 \times 36$



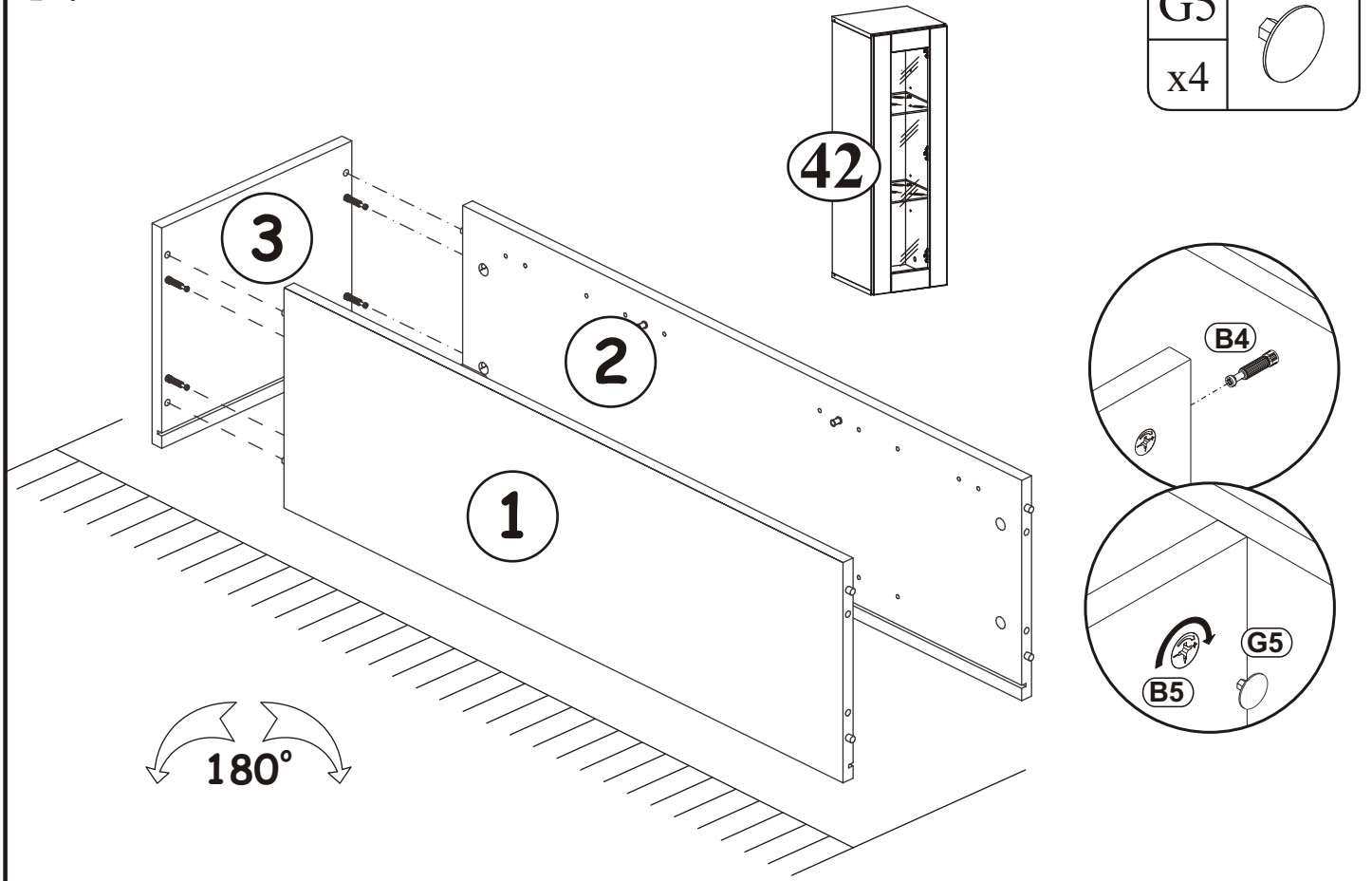
13



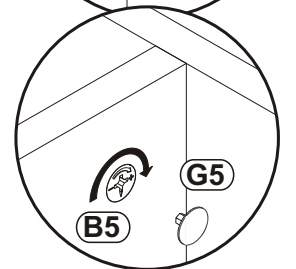
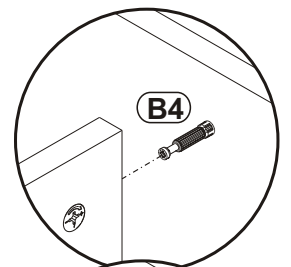
D10		E21	
x4	USØ3,5x13	x2	Ø35 H=0

UP13		P2	
x8	UPØ3x16	x8	


14

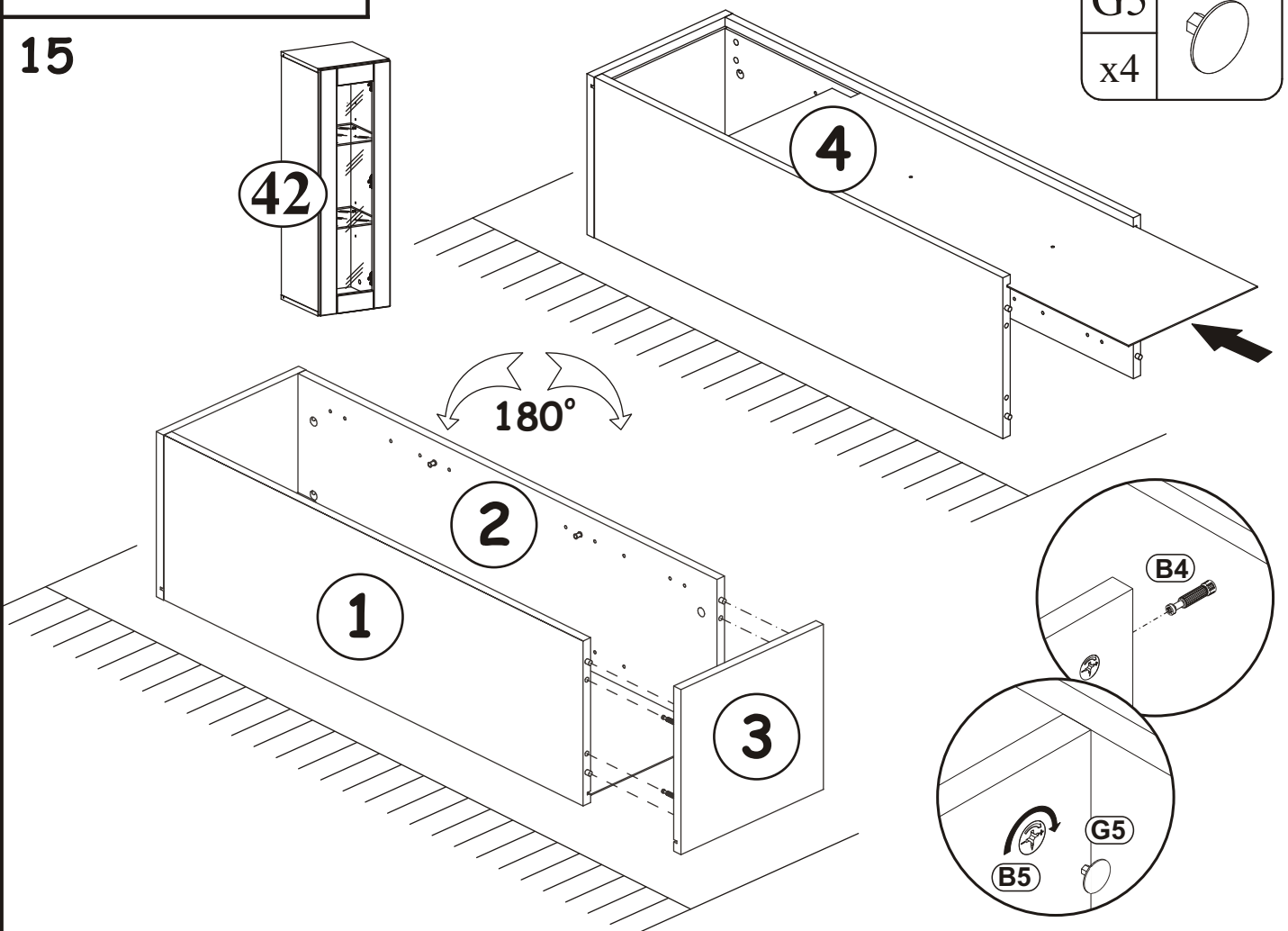


G5	
x4	

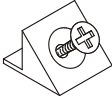


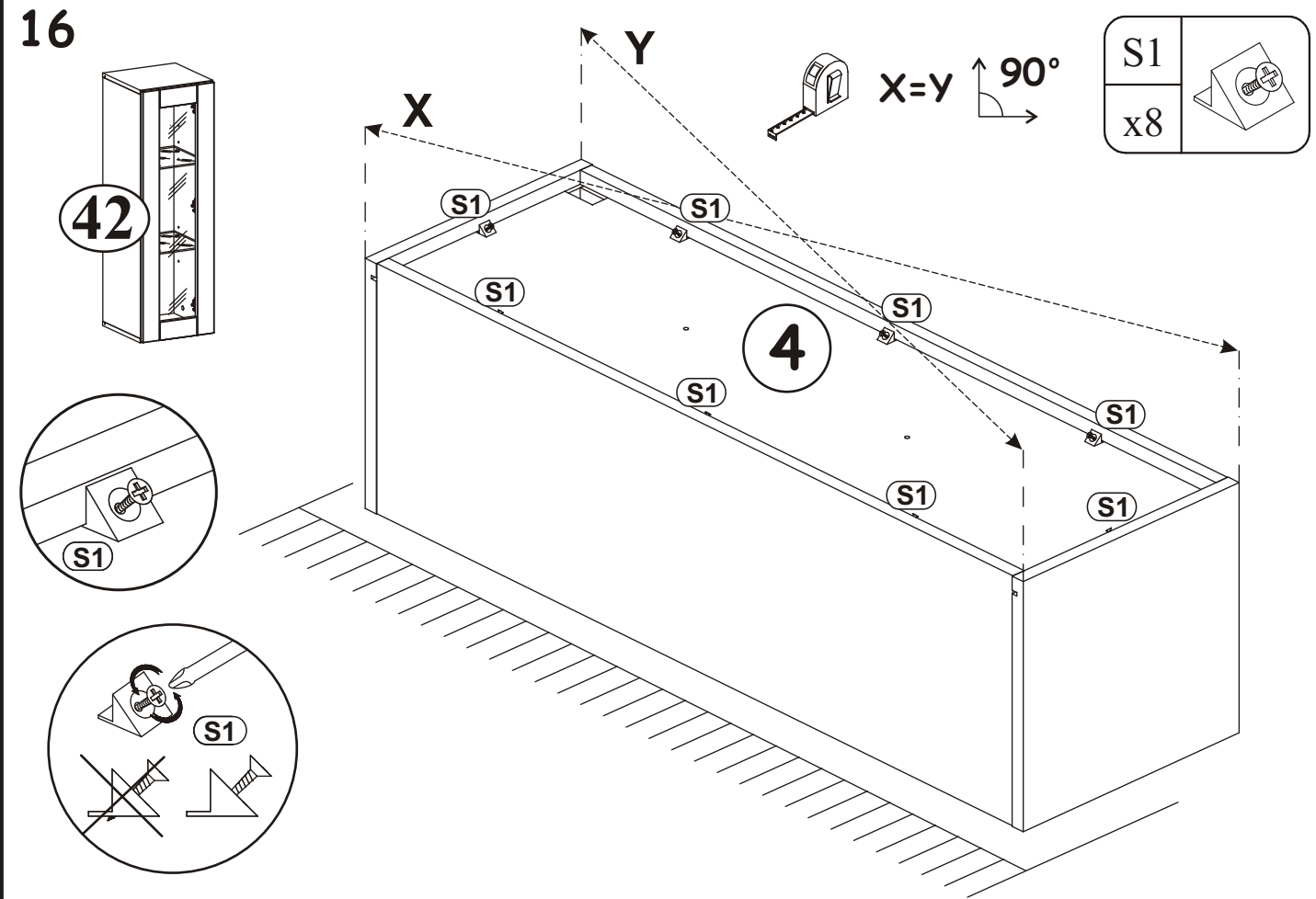
15

G5	
x4	

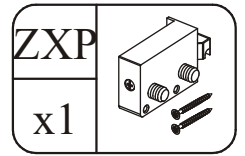
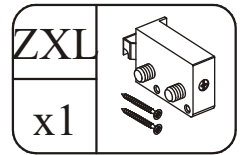
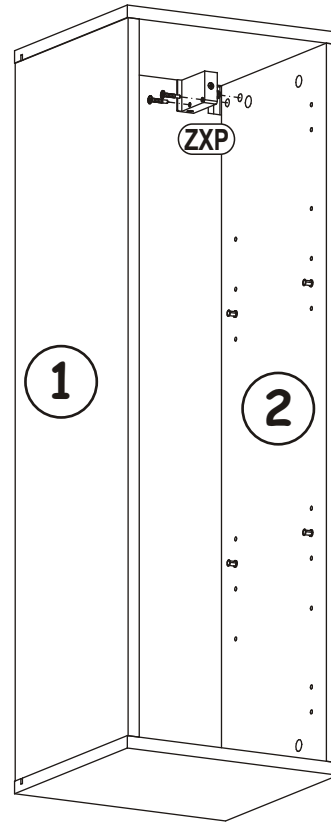
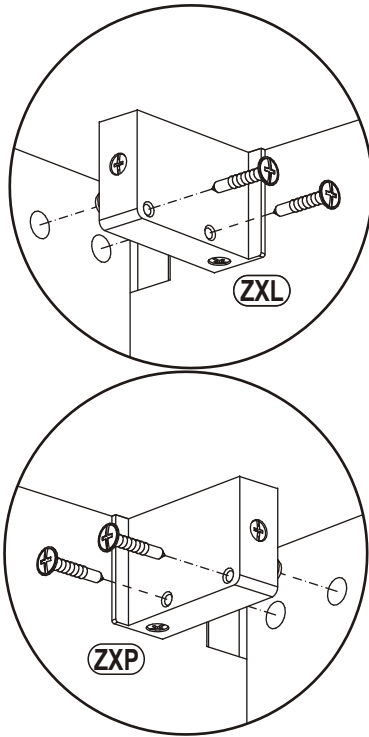
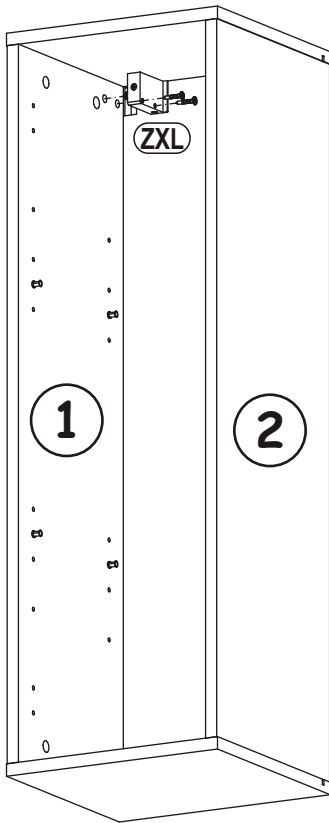


16

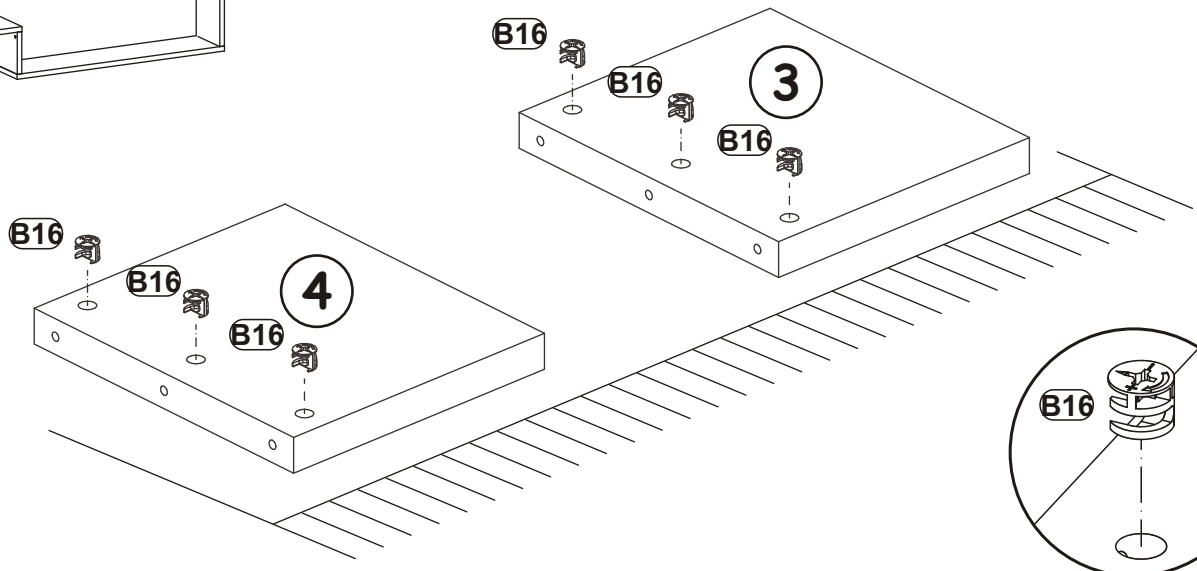
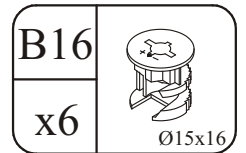
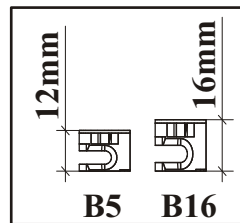
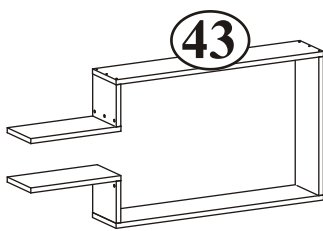
S1	
x8	



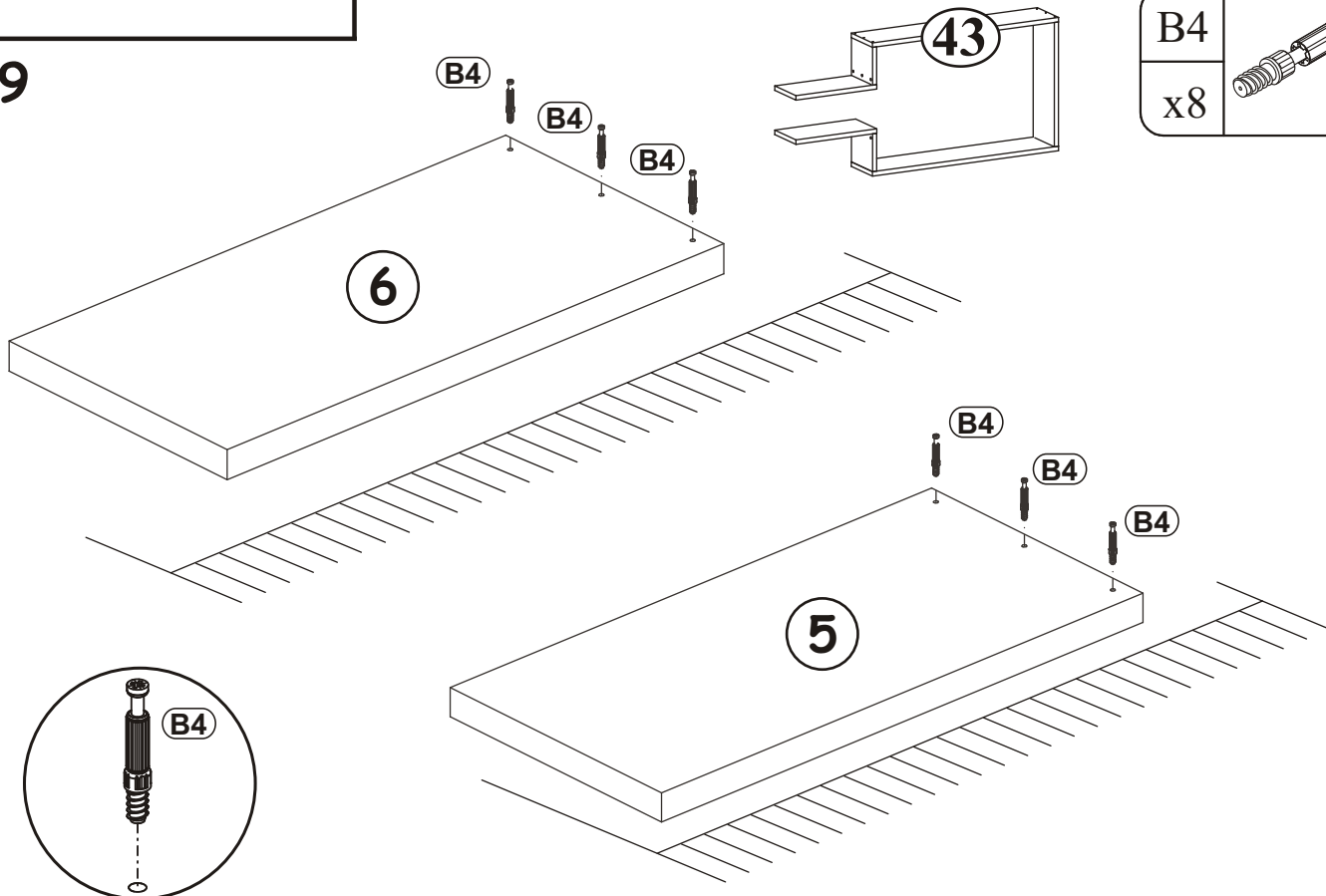
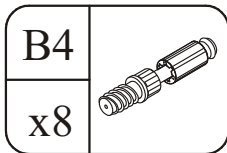
17



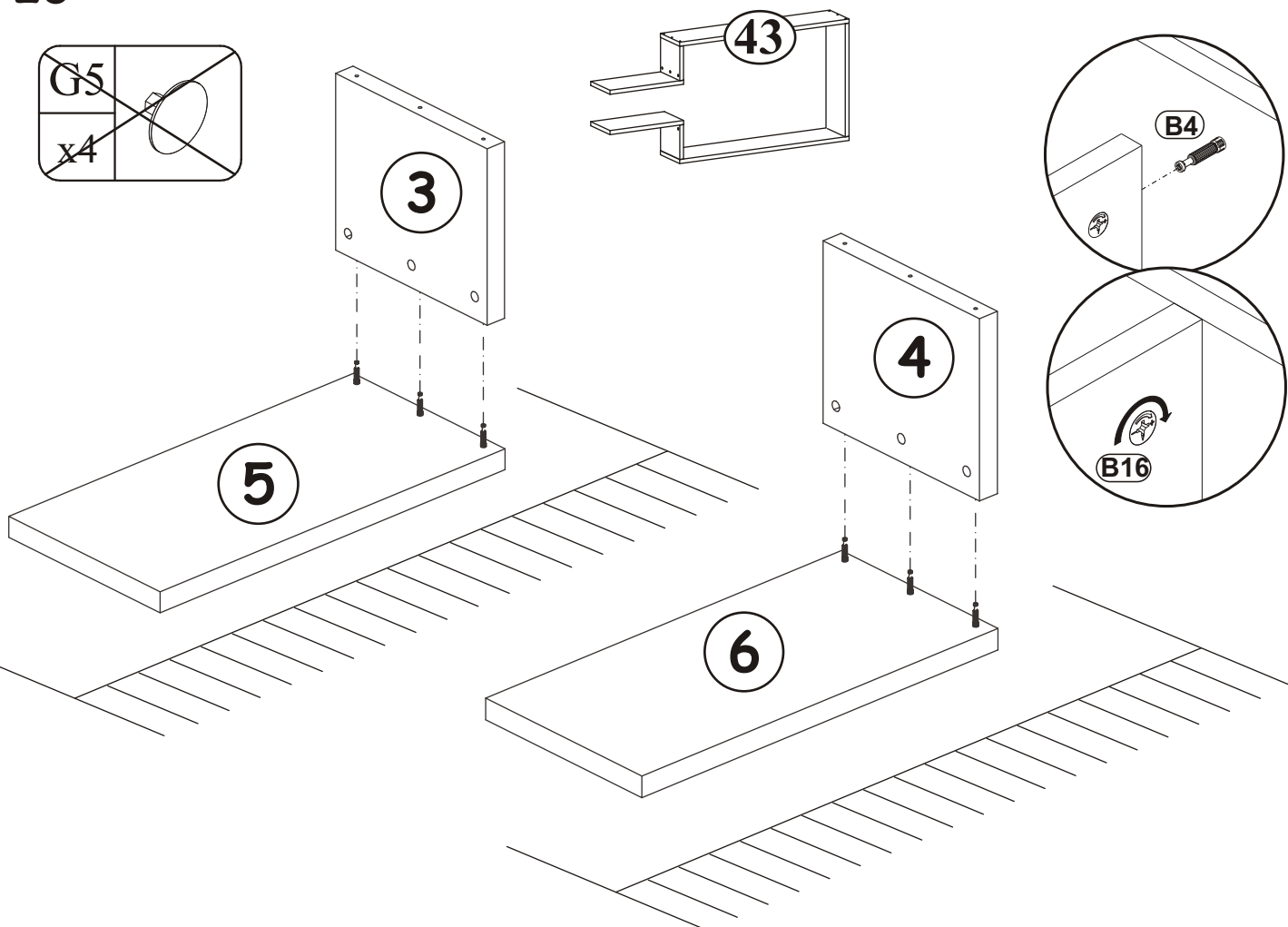
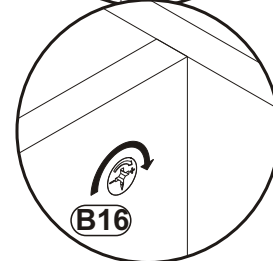
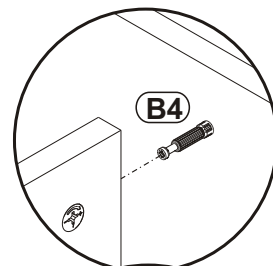
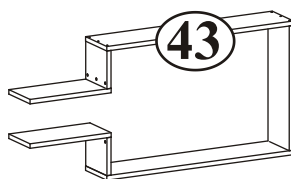
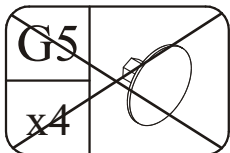
18



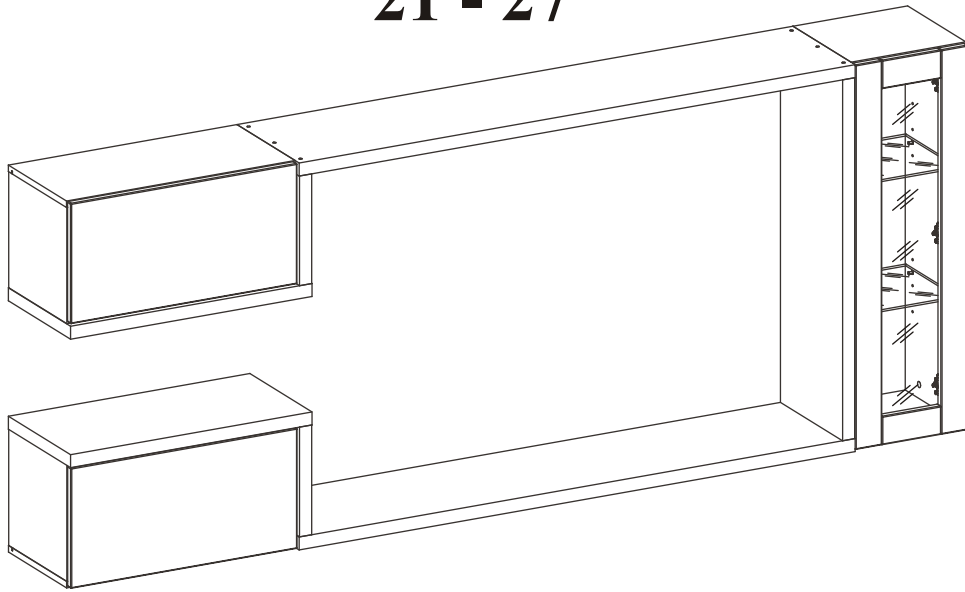
19



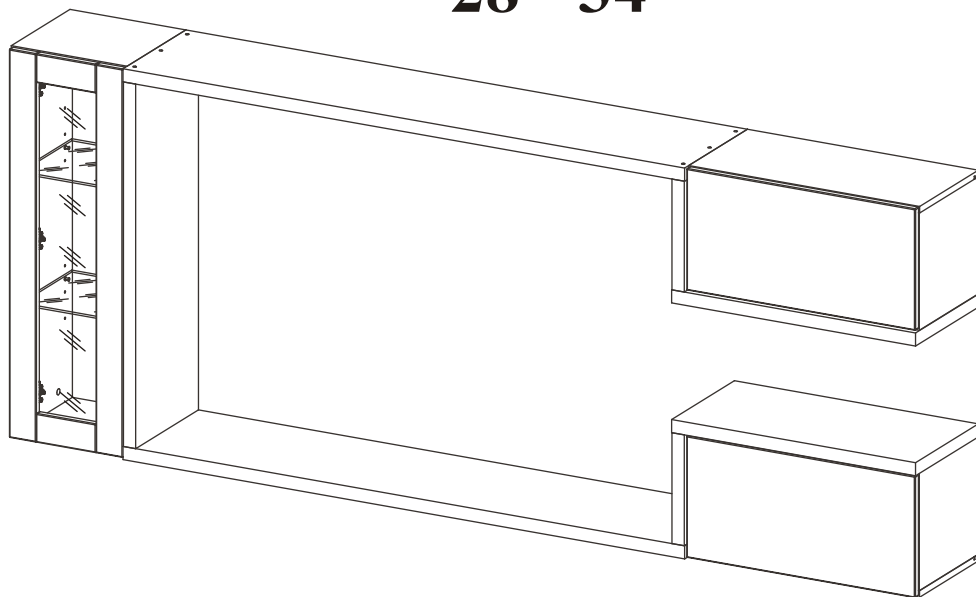
20



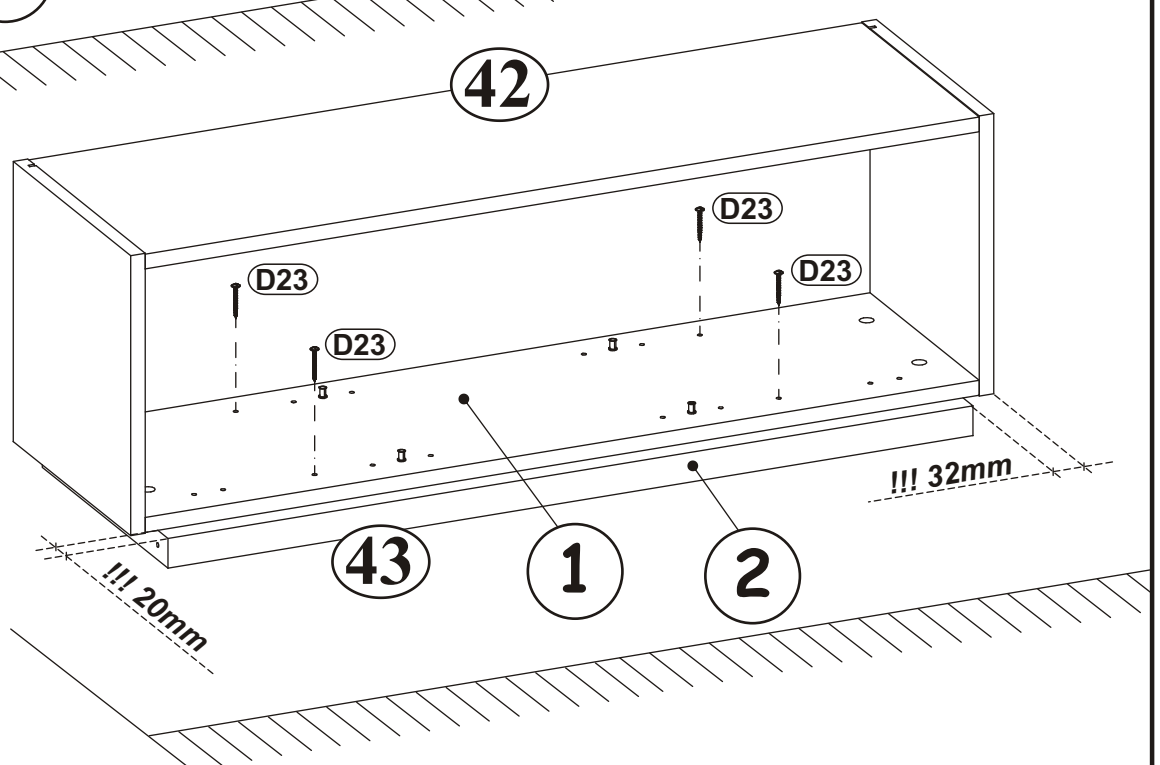
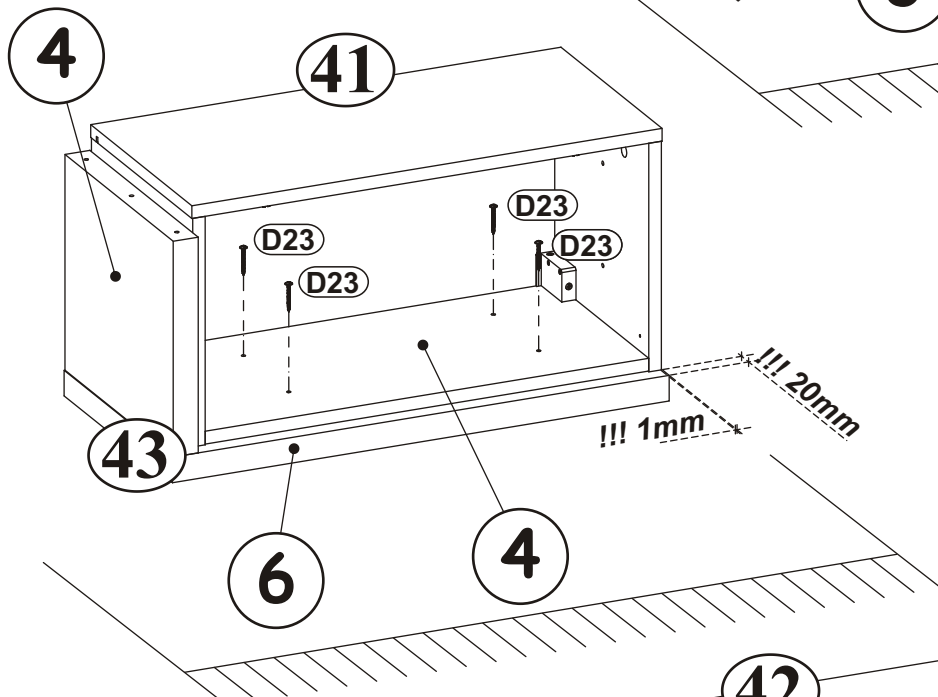
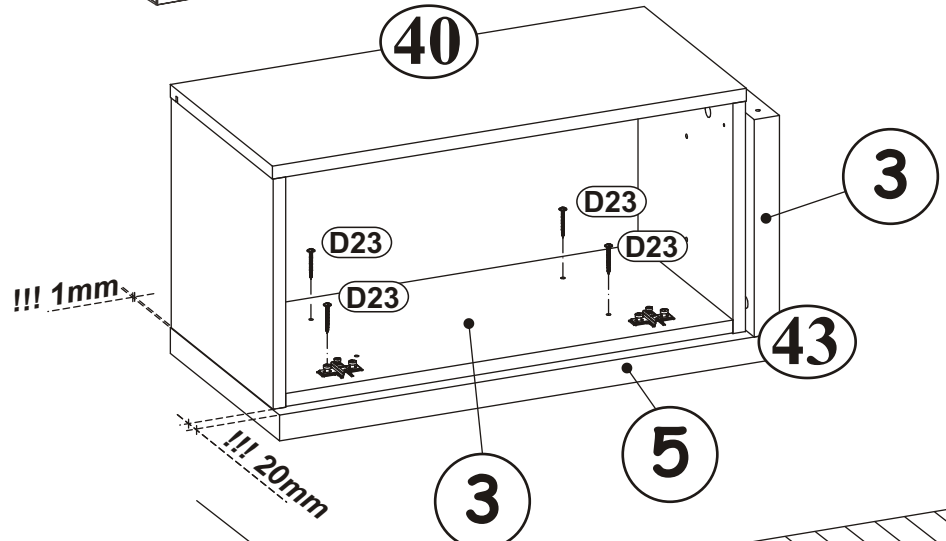
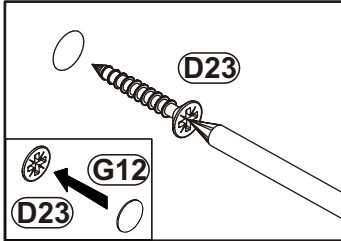
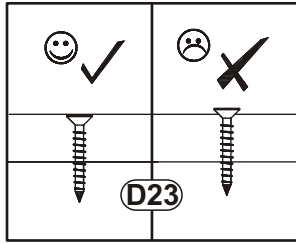
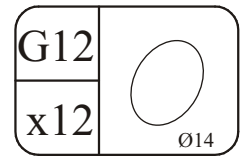
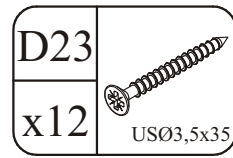
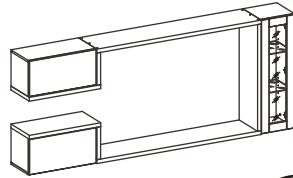
21 - 27



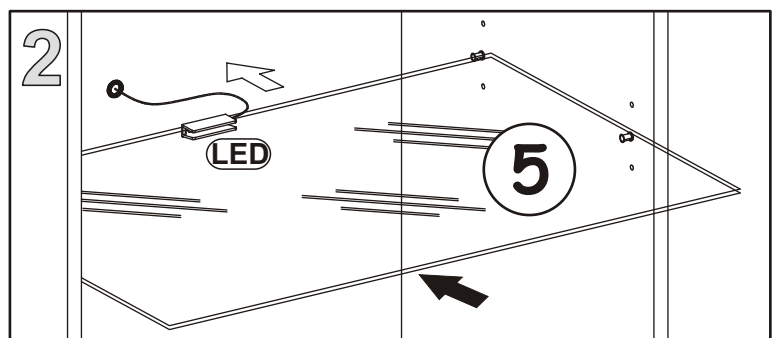
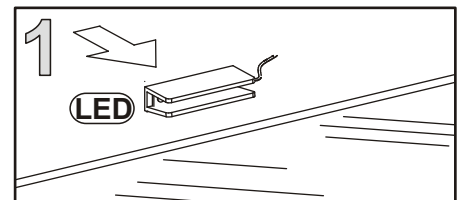
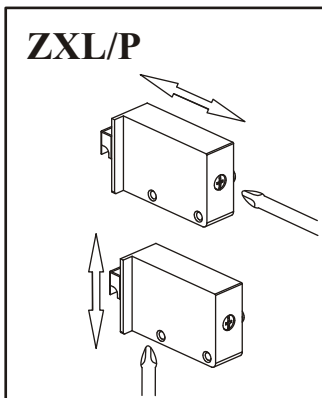
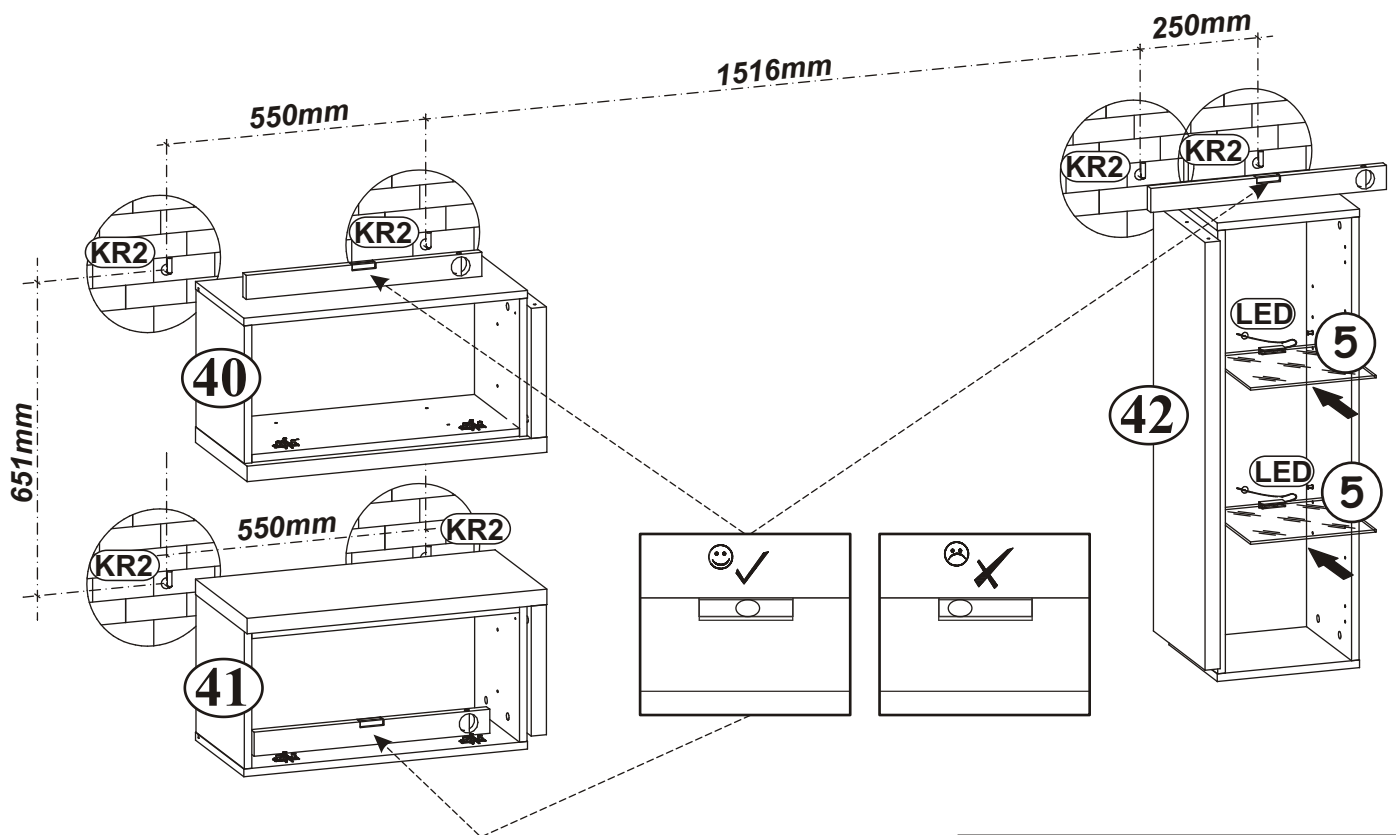
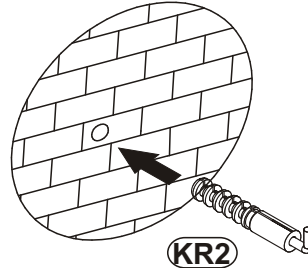
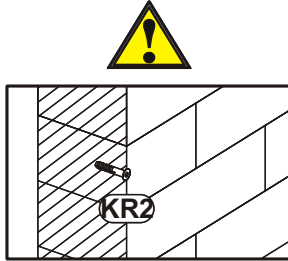
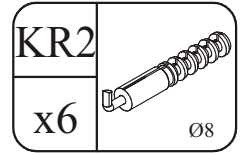
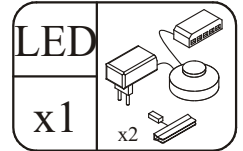
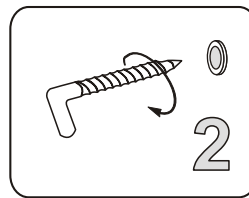
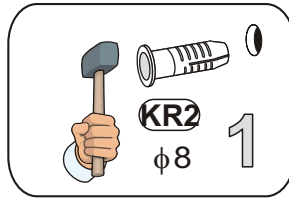
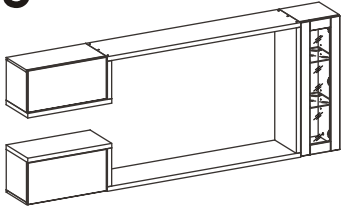
28 - 34





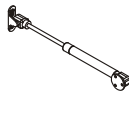
21

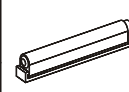


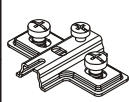
23

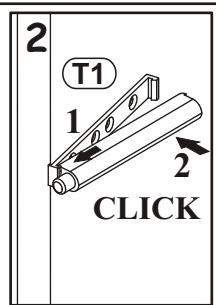
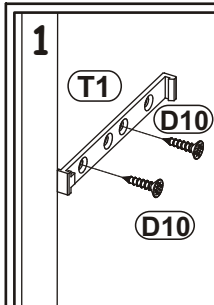
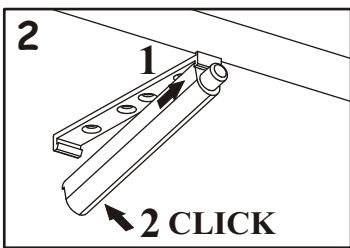
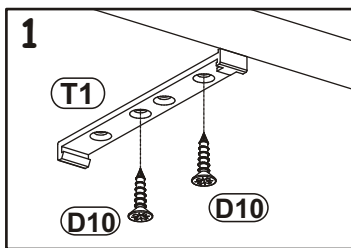
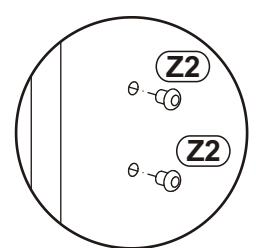
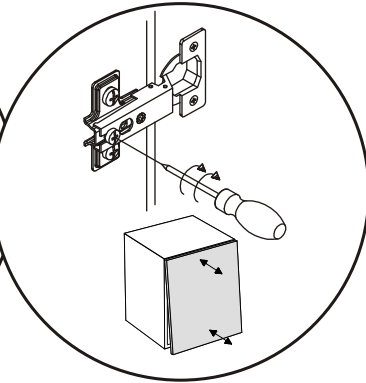
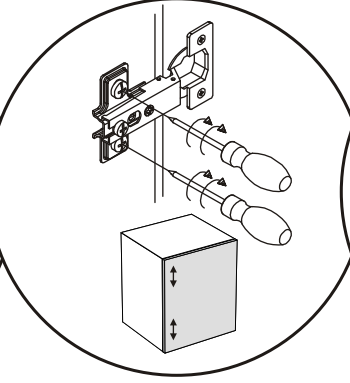
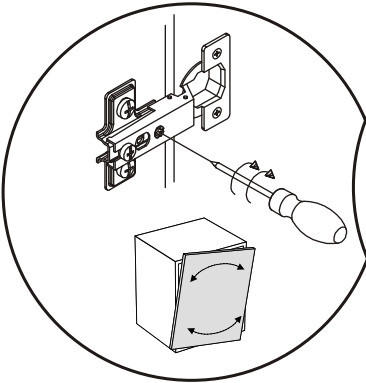
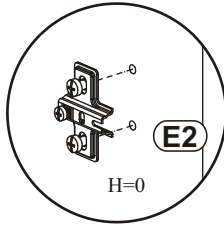
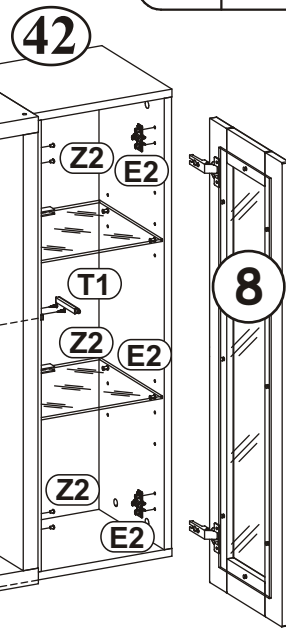
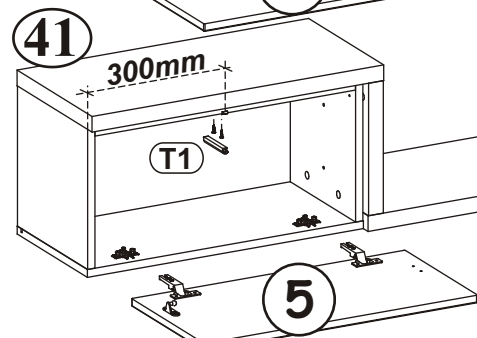
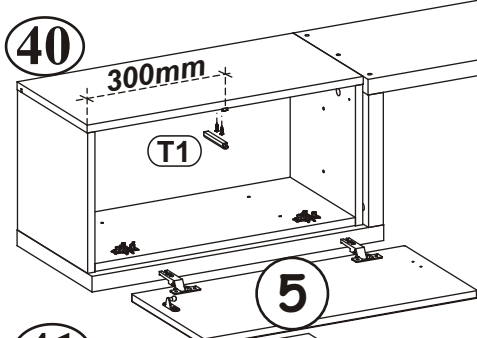
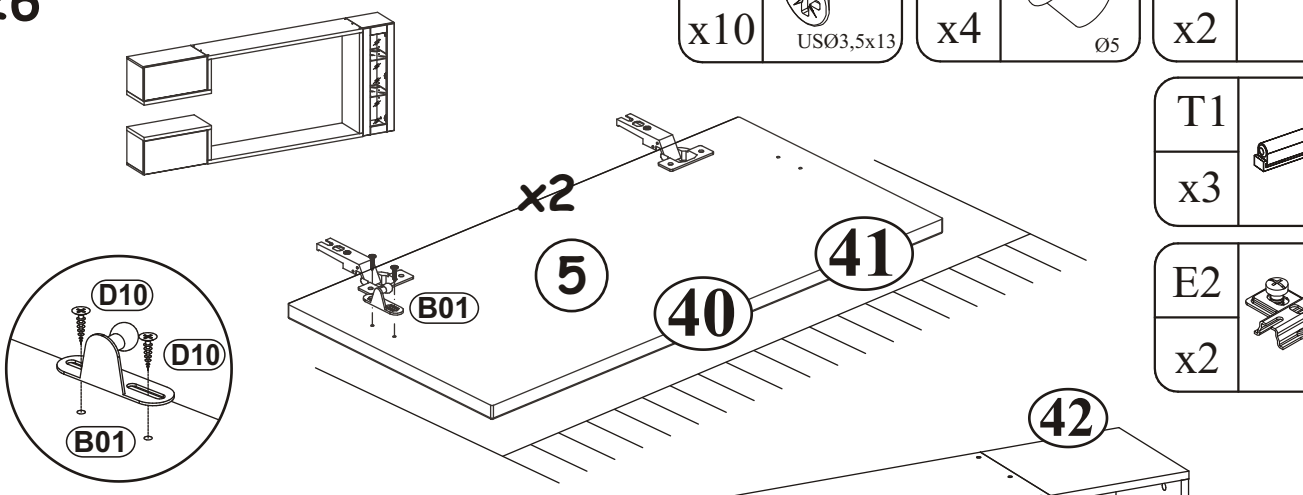


26

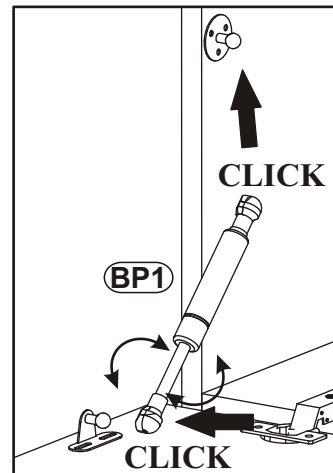
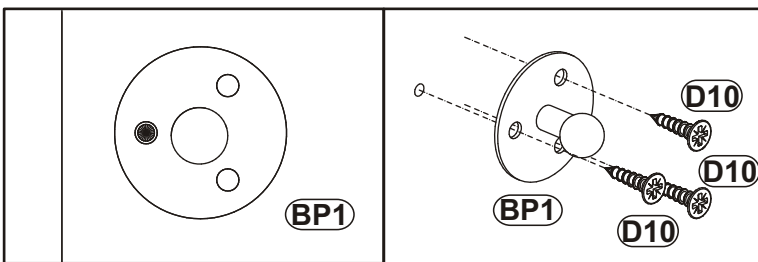
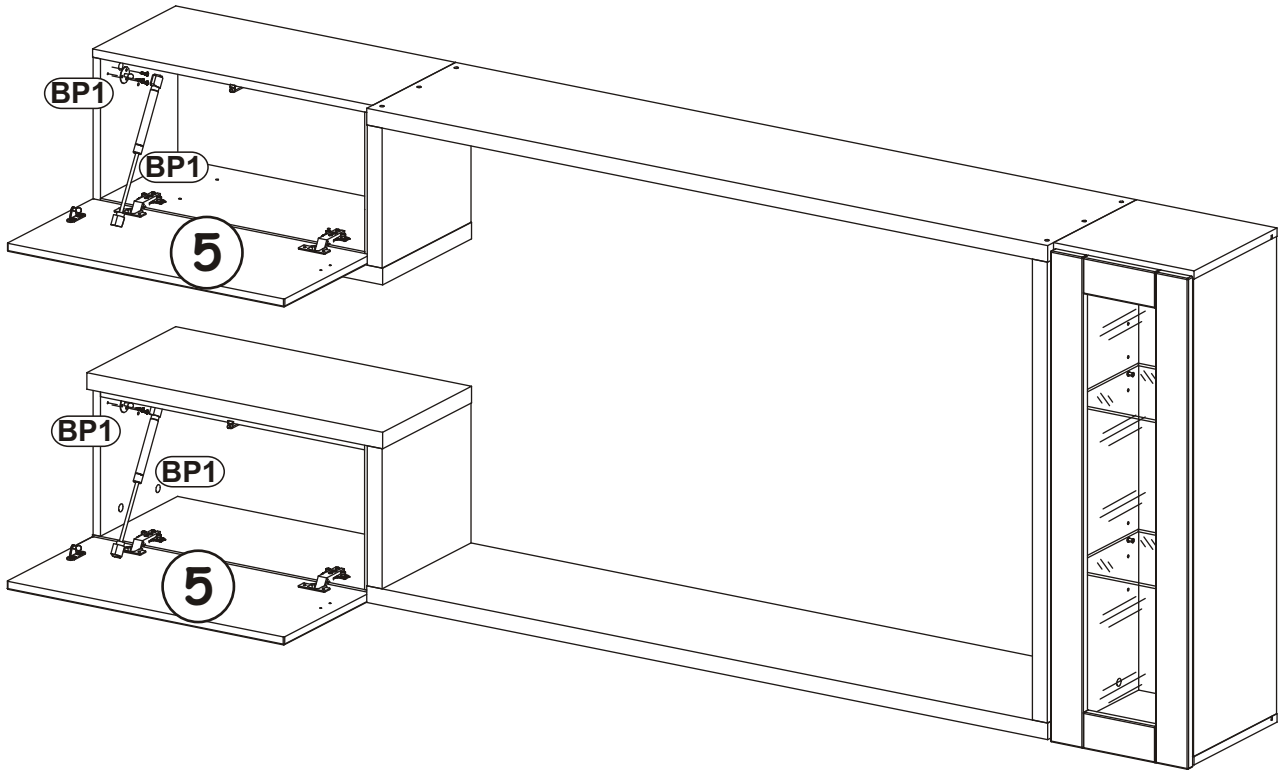
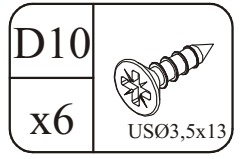
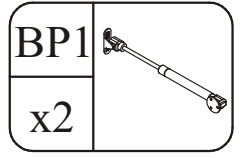
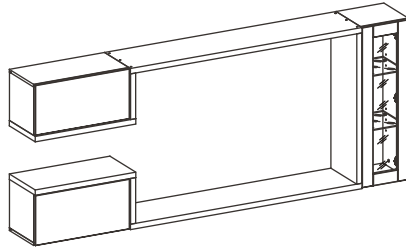
D10		Z2		BP1	
x10	USØ3,5x13	x4	Ø5	x2	

T1	
x3	

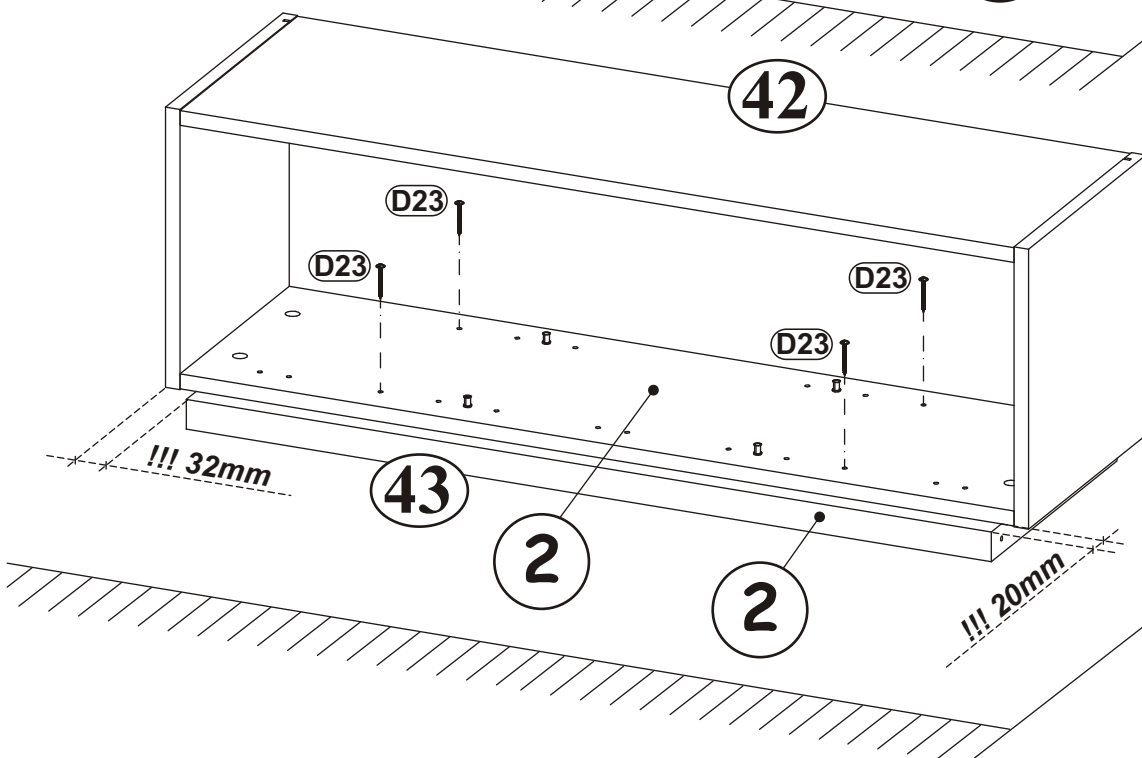
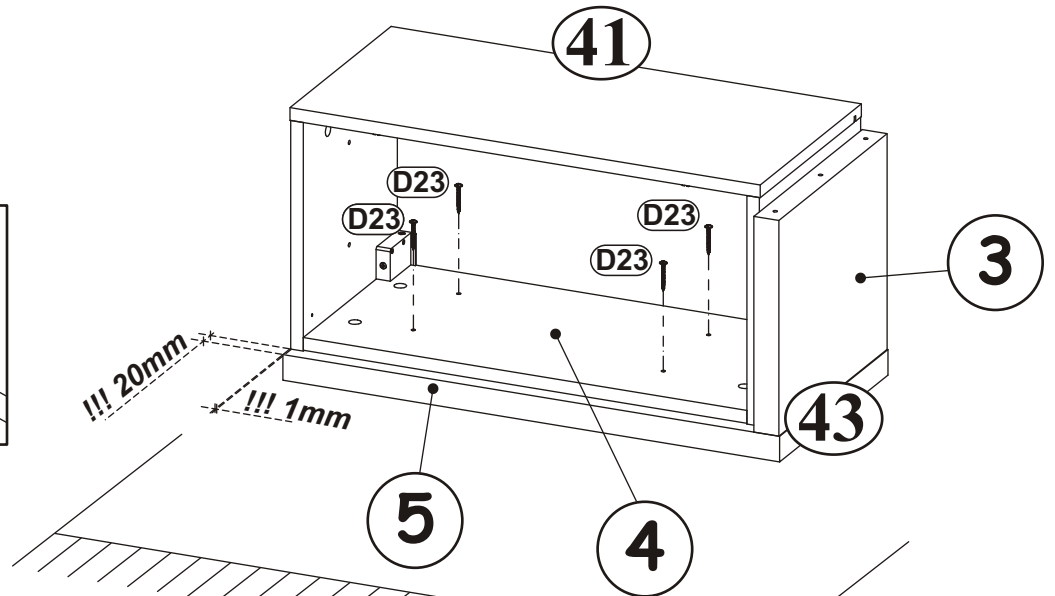
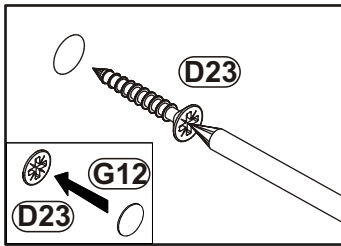
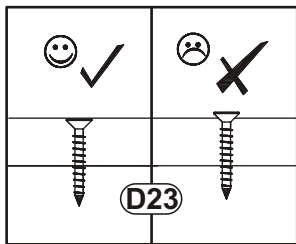
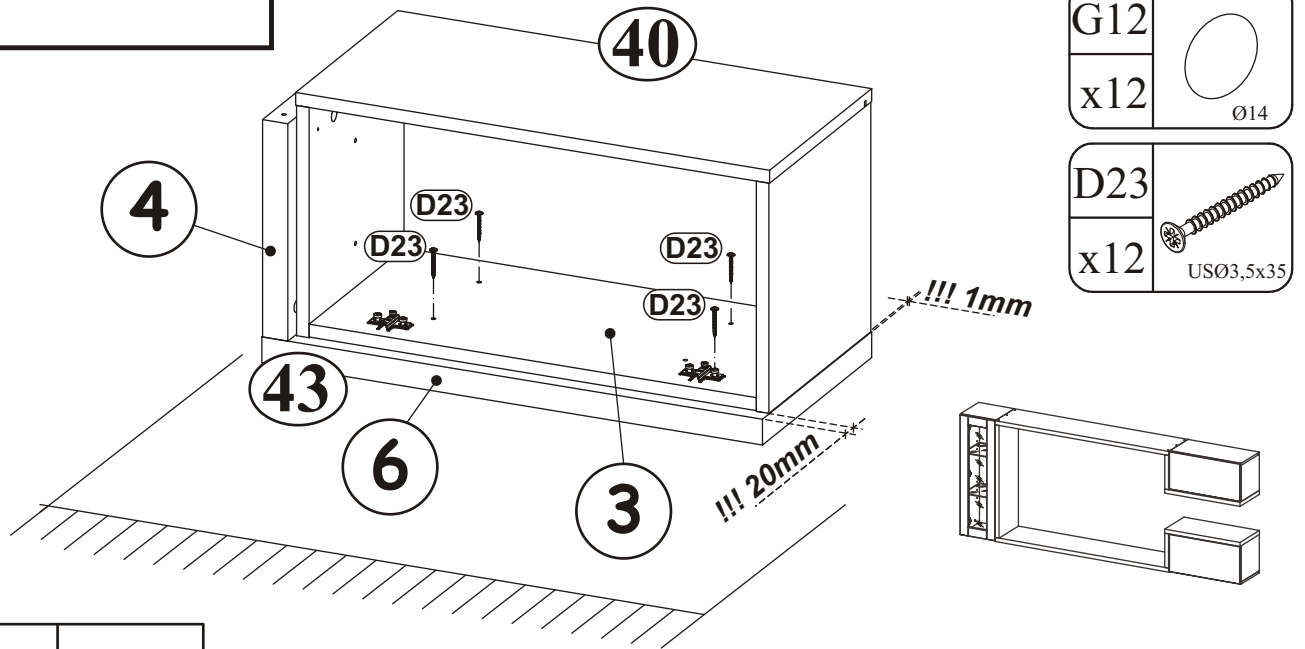
E2	
x2	H=0



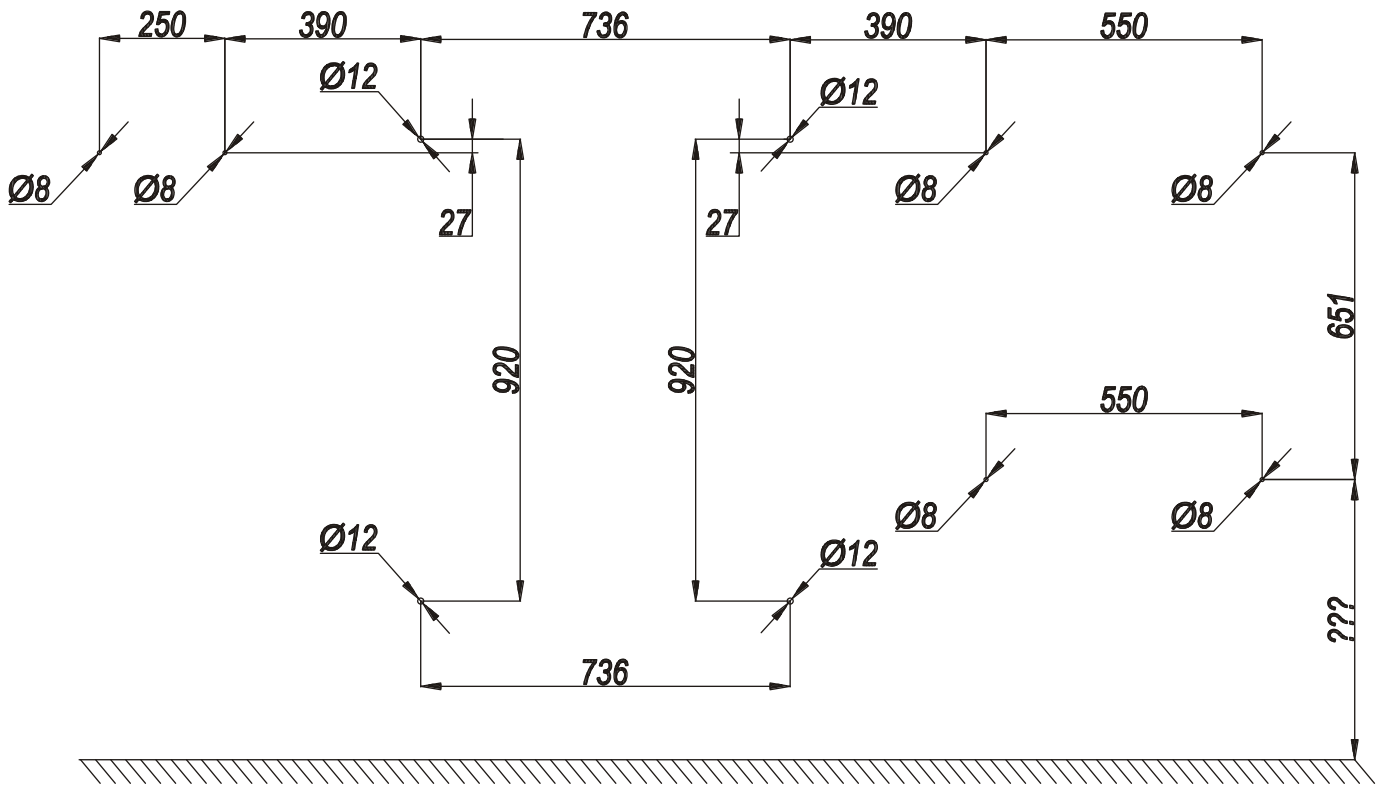
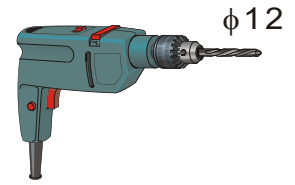
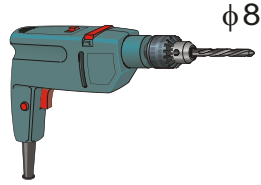
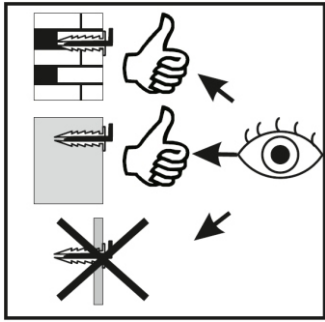
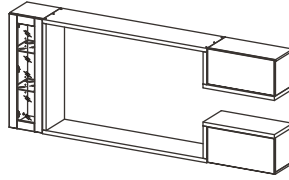
27



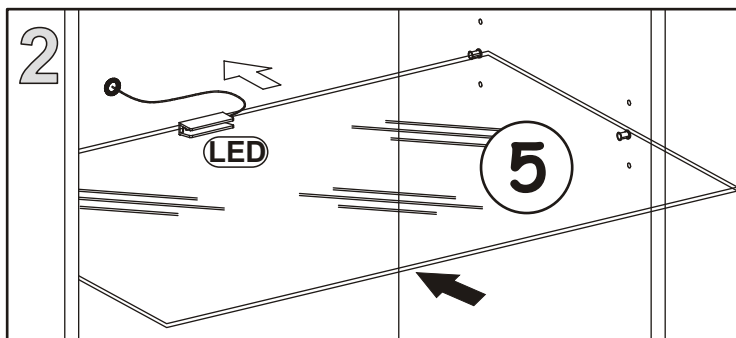
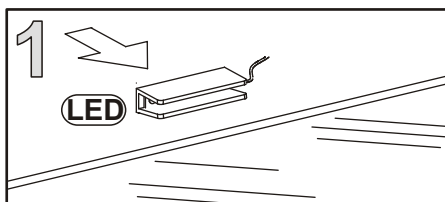
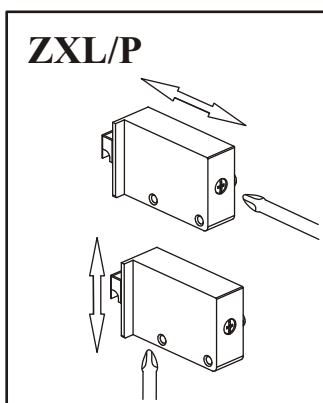
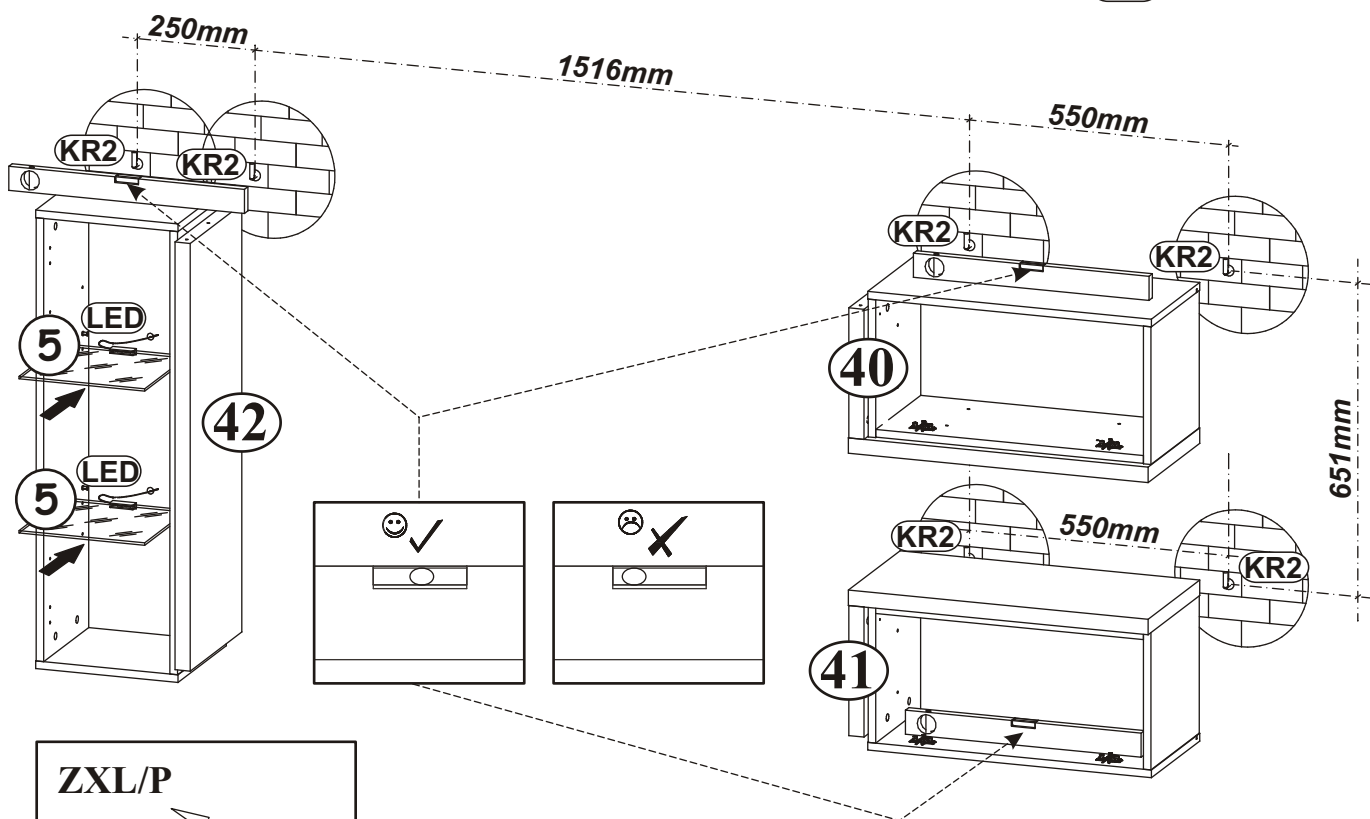
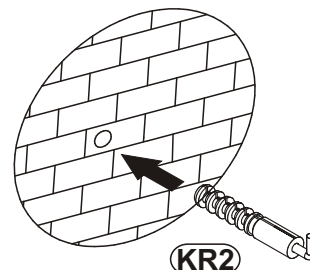
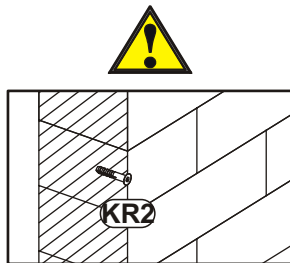
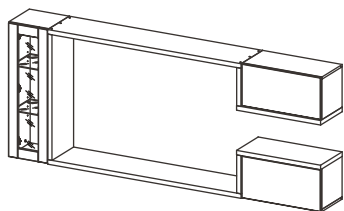
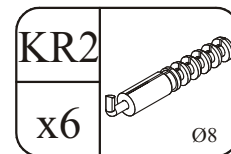
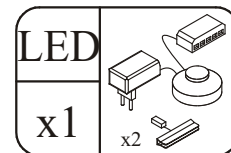
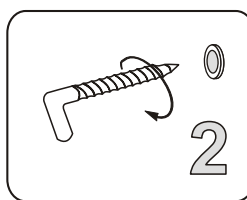
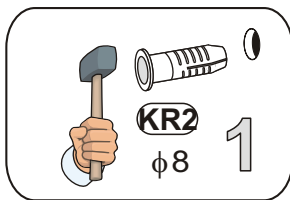
28



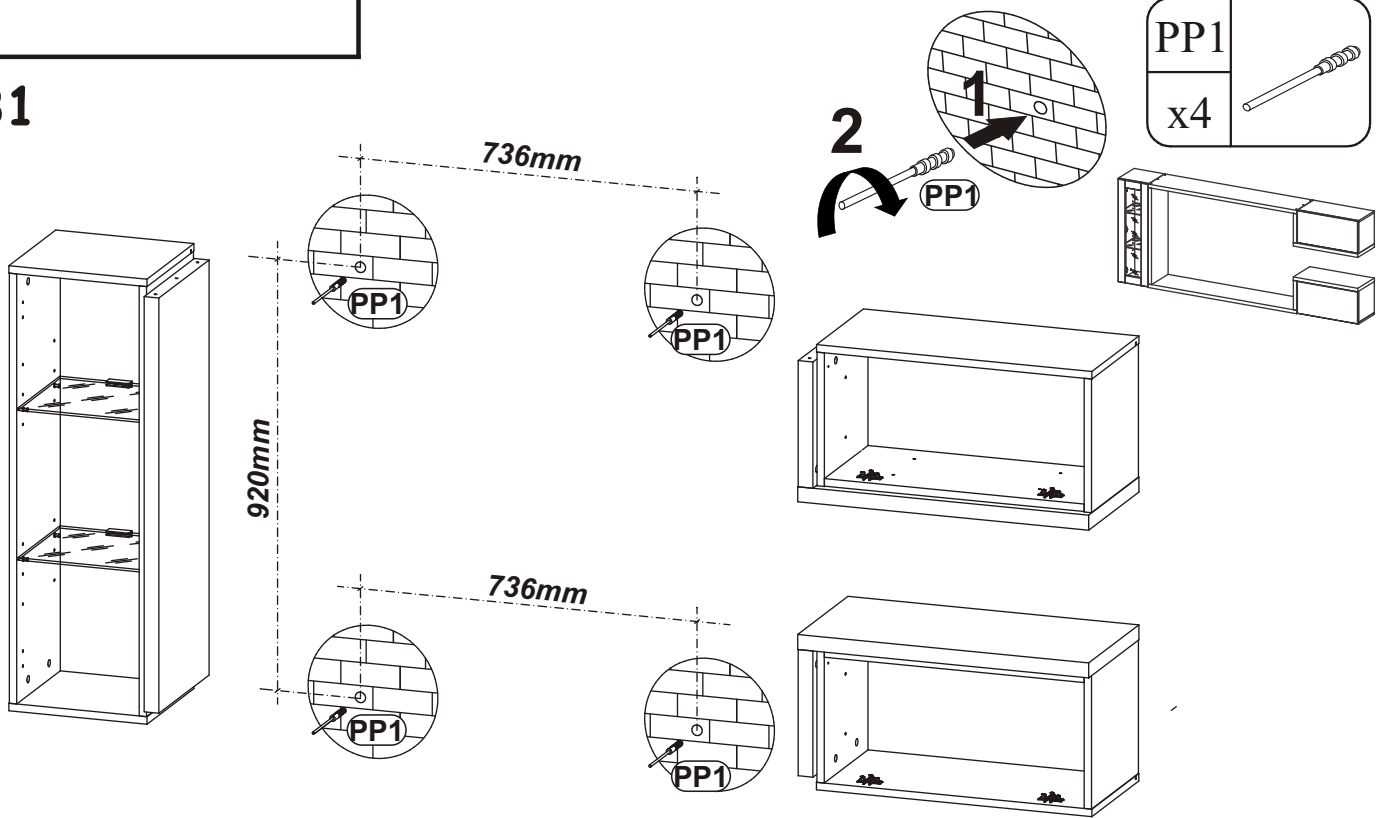
29



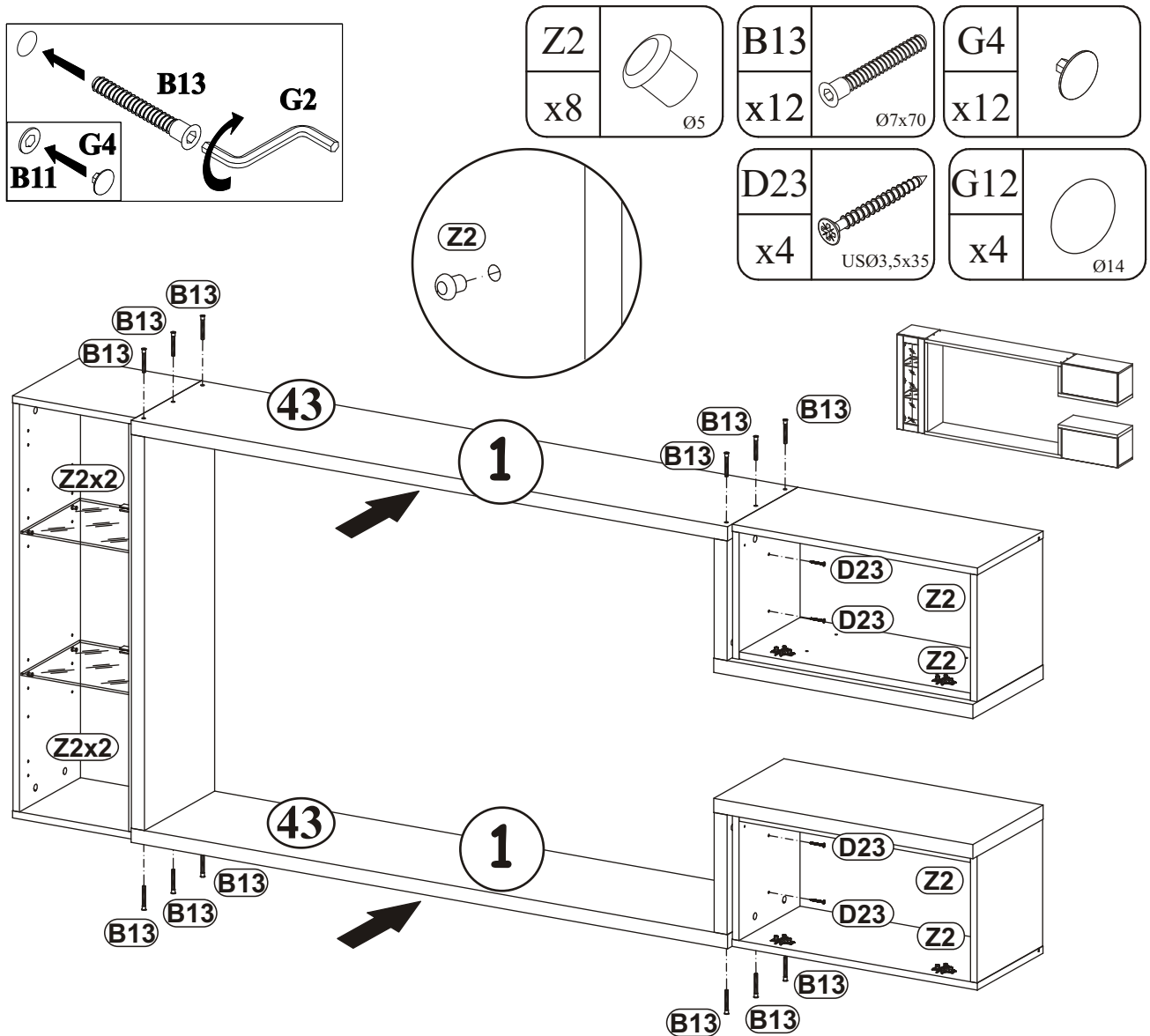
30





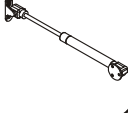
31

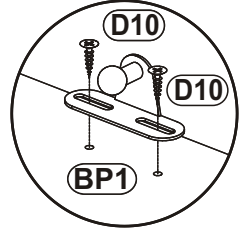
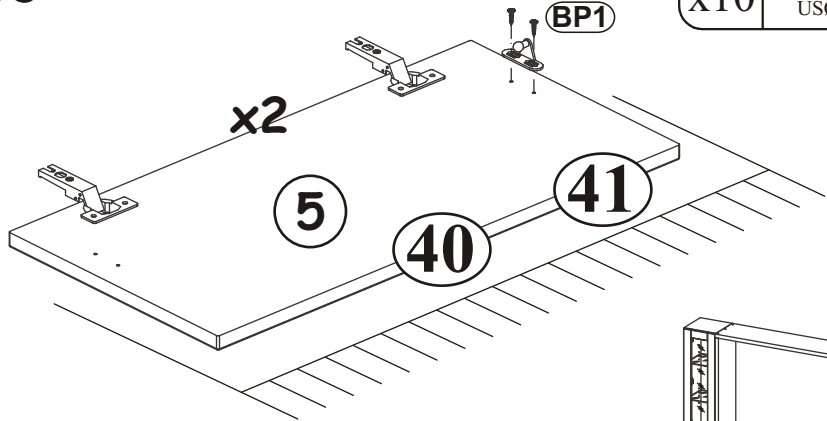



32

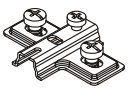


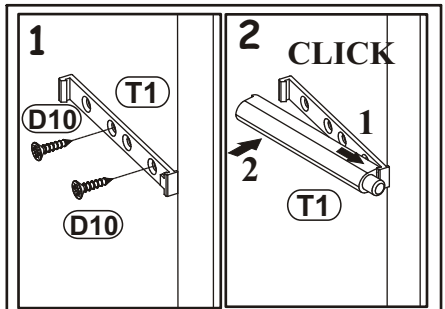
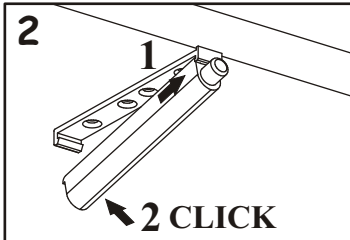
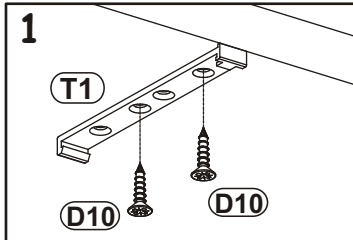
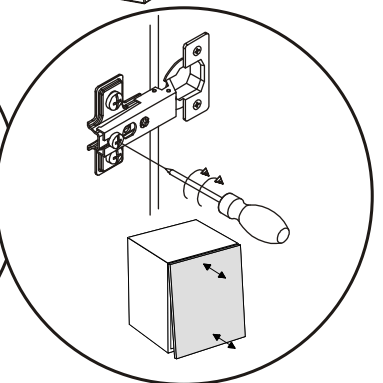
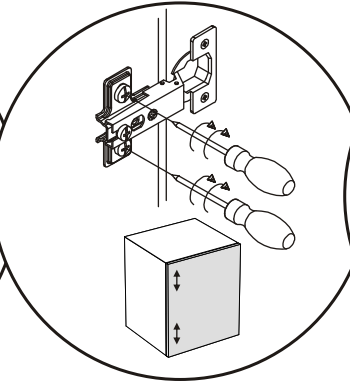
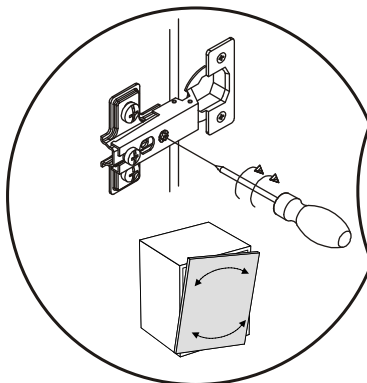
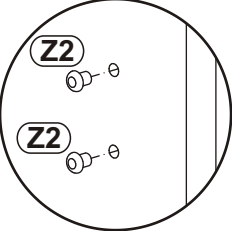
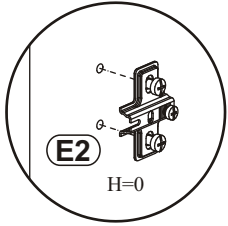
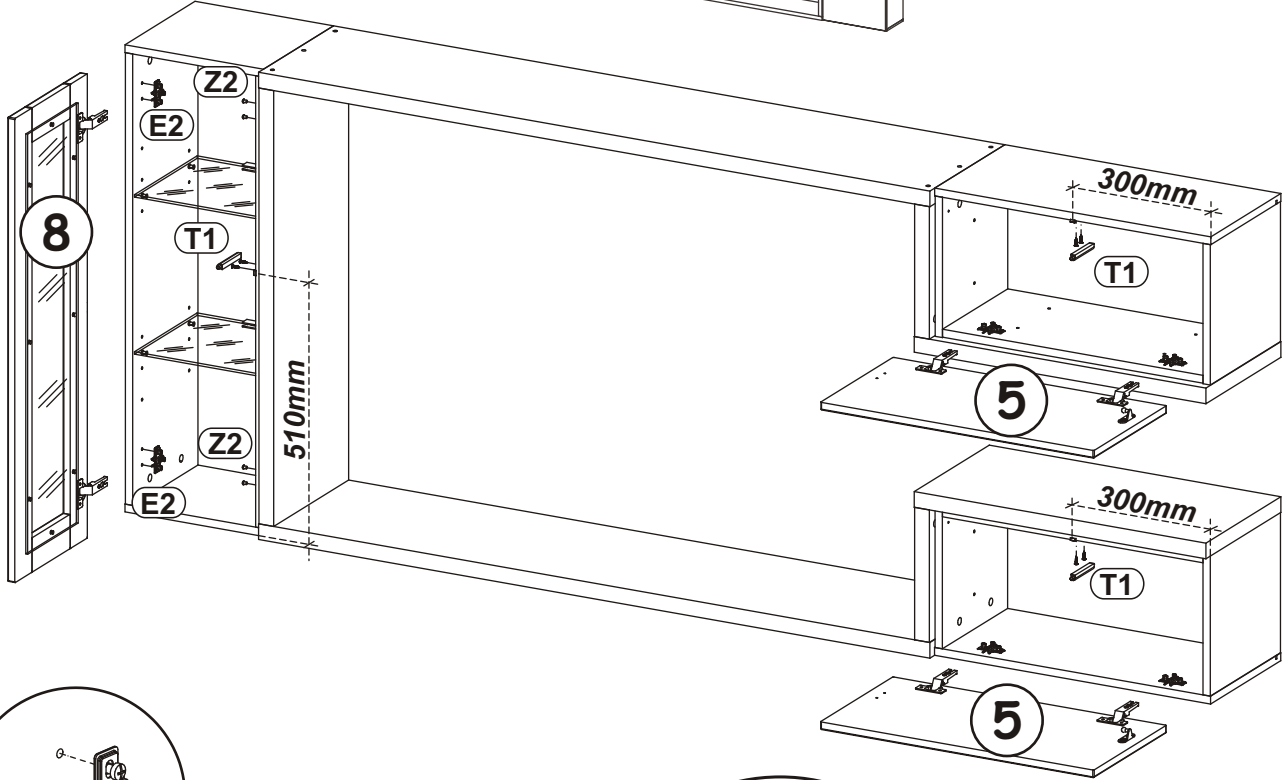
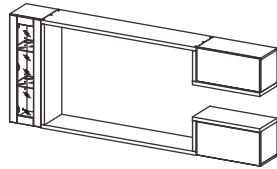
33

D10		Z2		BP1	
x10	USØ3,5x13	x6	Ø5	x2	



T1	
x3	

E2	
x2	H=0



34

