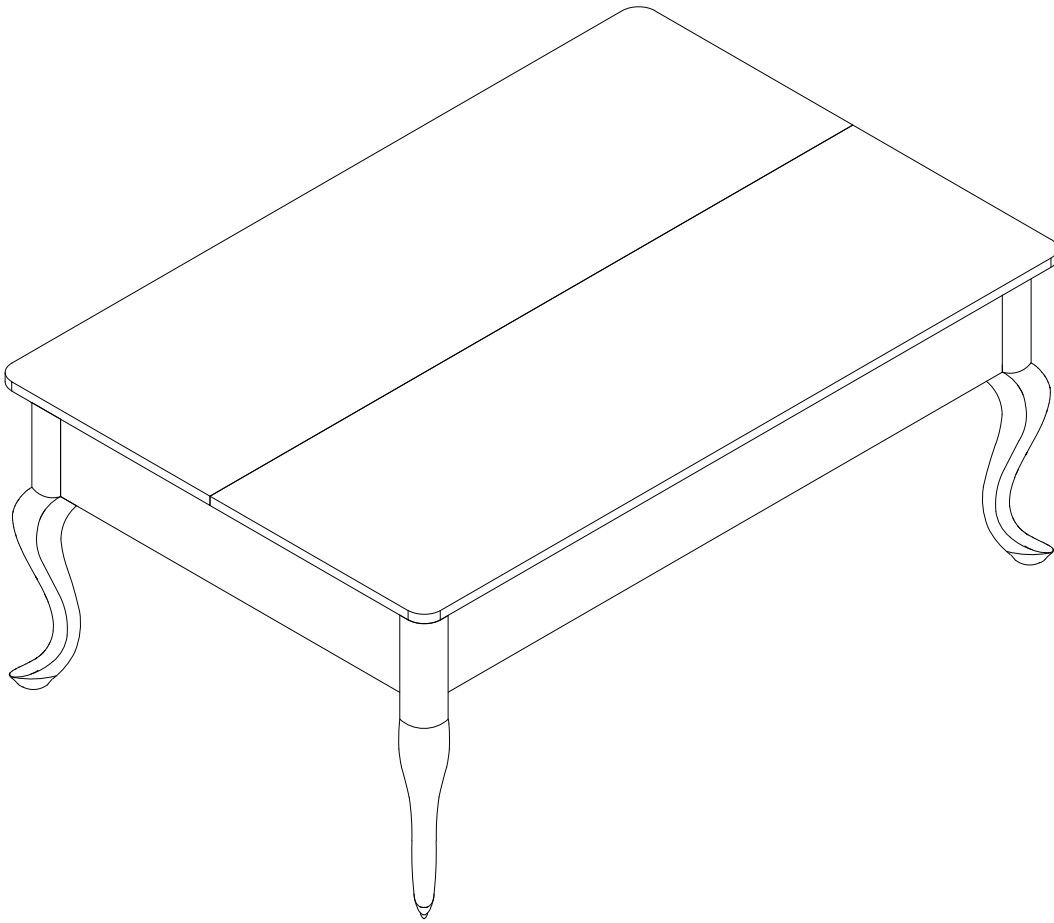


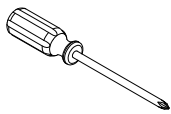
# Installation Instruction



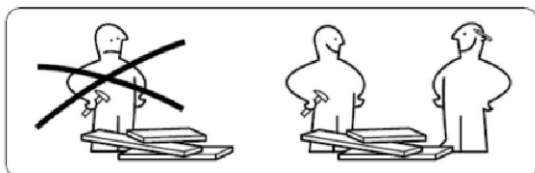
# Assembling

## What you need

- Use the packaging carton as a working surface to prevent product damage during assembly
- Phillips head screwdriver



## Weight Limitation

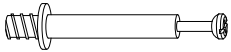


# What' included

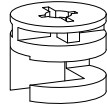
Code	Description	Qty
A	Cam Bolt M6X35MM	56
B	Cam Lock 15X12MM	56
C	Wooden Dowel M6X30MM	36
D	Wooden Dowel M6X50MM	6
E	Screw M6X15MM	2
F	Left regulator	1
G	Right regulator	1
H	Screw M3.5X14MM	58
I	Foot nail	4
J	Big bend hinge	3
K	Hydraulic rod	2
L	Metal stay	2
M	Screw M5X8MM	2
N	Hole position sticker	36
O	Plastic pad	6
P	Screw M4X30MM	6
Q	Special screwdriver	1
R	Wrench M4X55MM	1
S	Buffer base	2
T	Buffer	2

# The Hardwares

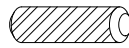
A



B



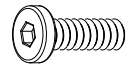
C



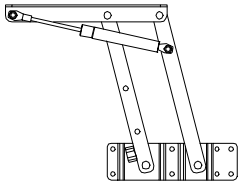
D



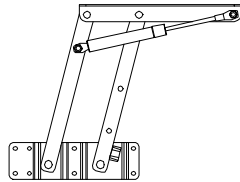
E



F



G



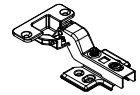
H



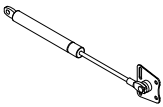
I



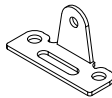
J



K



L



M



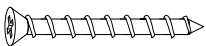
N



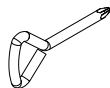
O



P



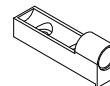
Q



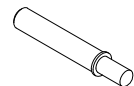
R



S



T



## IMPORTANT:

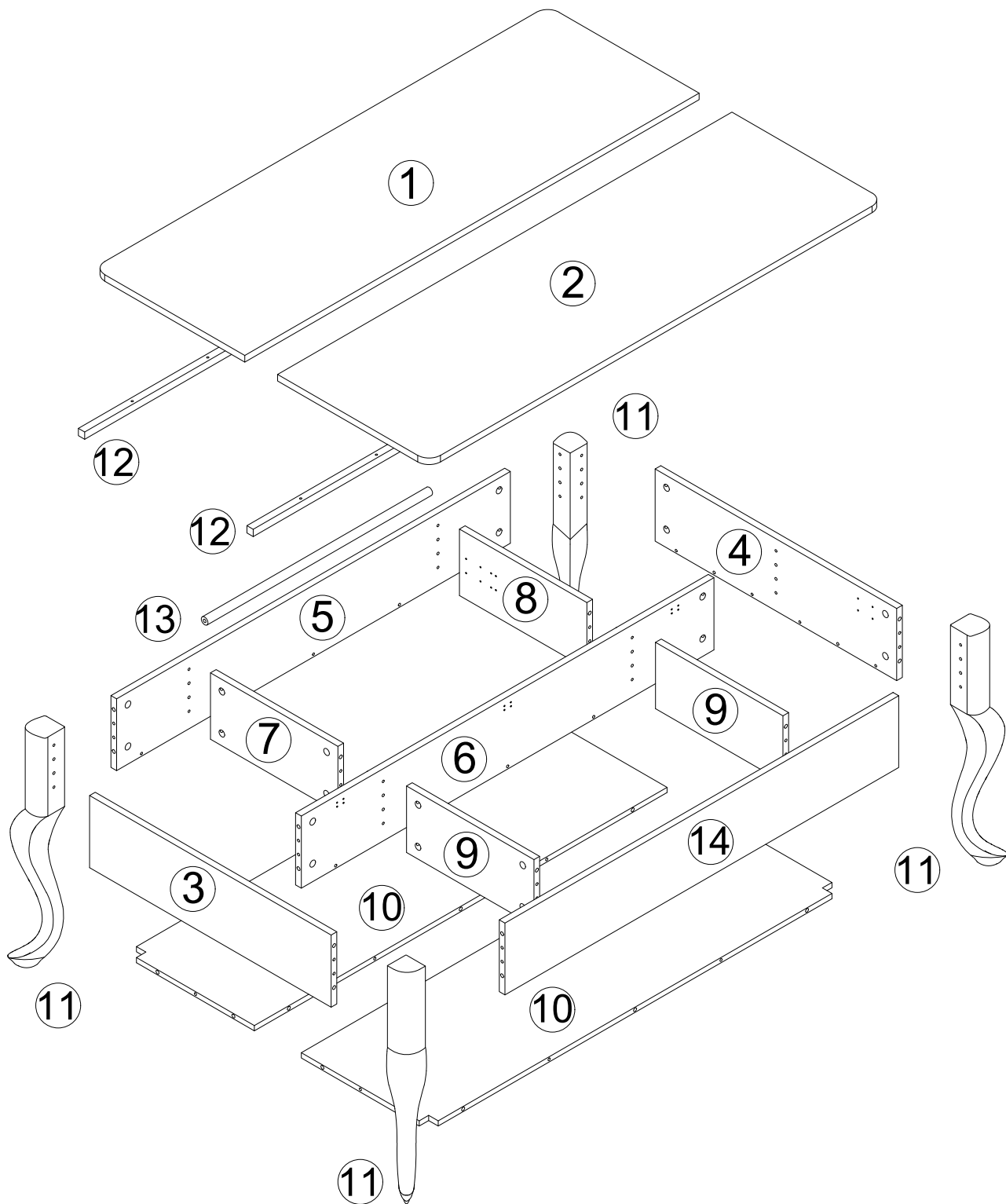
1. Do not tighten bolts / screws completely until all bolts / screws are lined up and inserted into holes.
2. Do not over tighten screws and bolts to avoid stripping
3. Please use hand tools to assemble this product, you can also use power tools (please use power tools carefully)

# Included Accessories

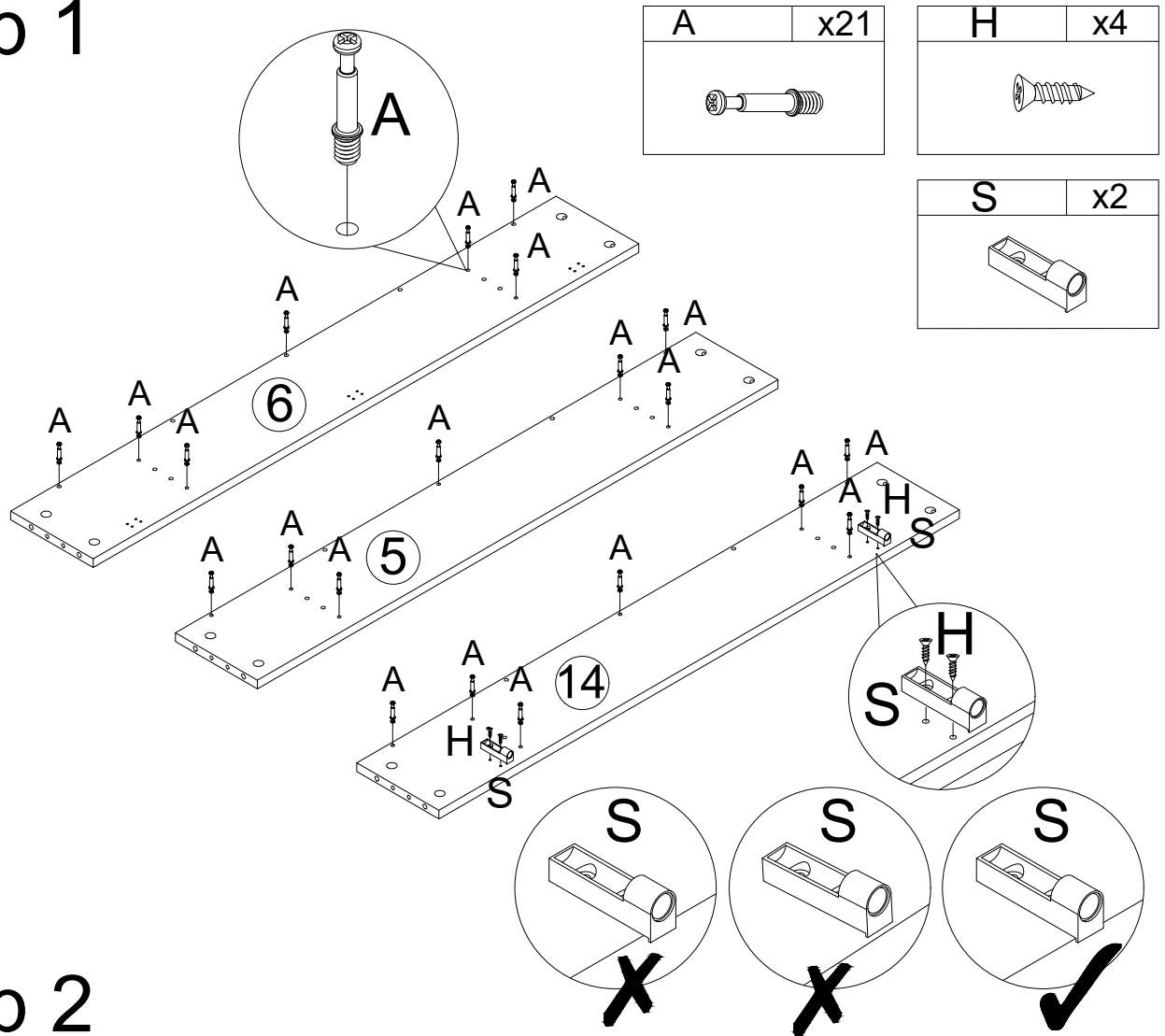
---

Code	Description	Qty
1	Adjustable lifting plate	1
2	Flippable cover plate	1
3	Left side plate	1
4	Right side plate	1
5	Back plate	1
6	Neutral plate	1
7	Left inner baffle	1
8	Right inner baffle	1
9	Front inner baffle	2
10	Bottom board	2
11	Wooden foot	4
12	Supporting steel frame	2
13	Connecting iron frame	1
14	Front panel	1

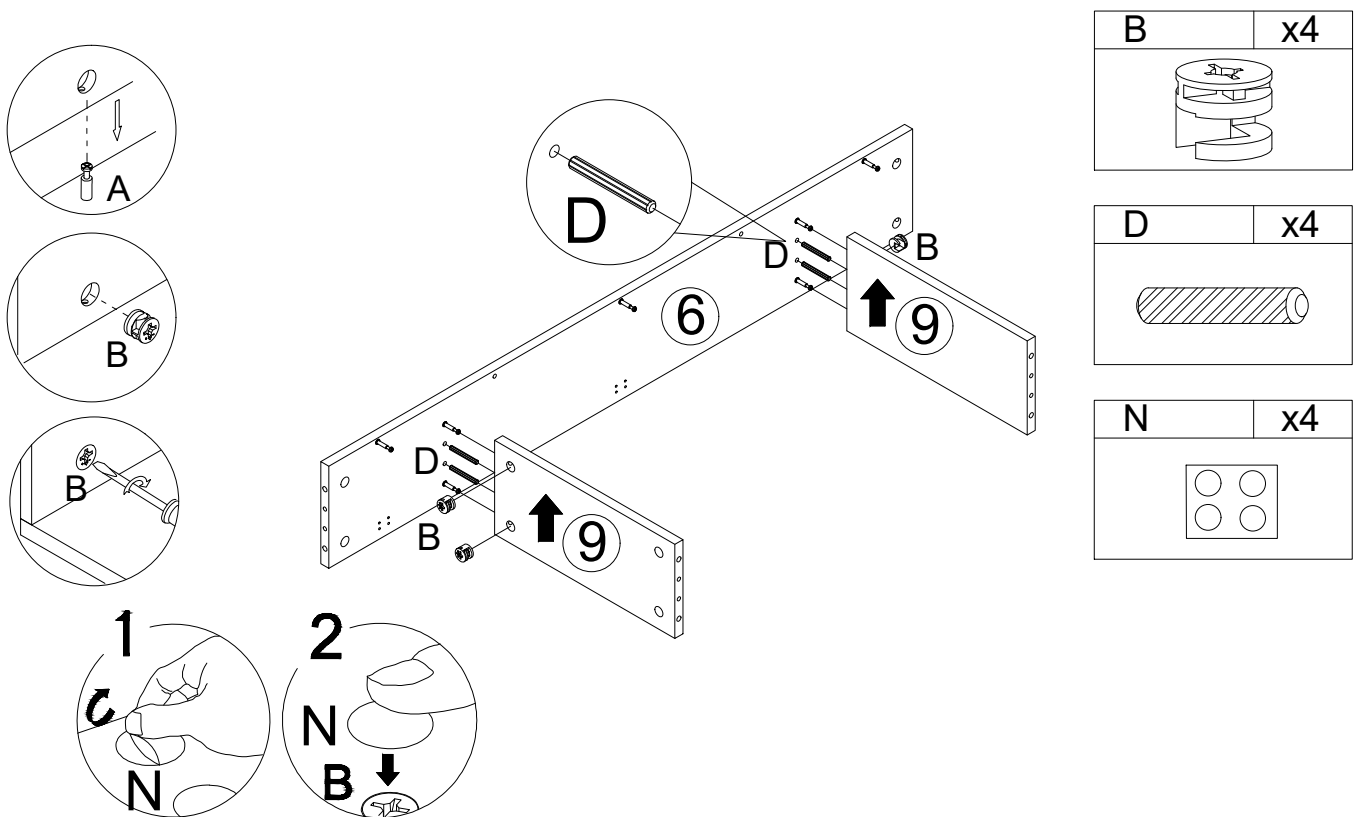
# The Accessoriess



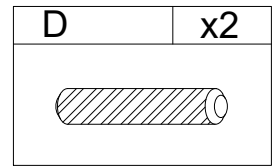
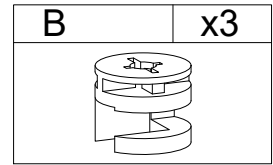
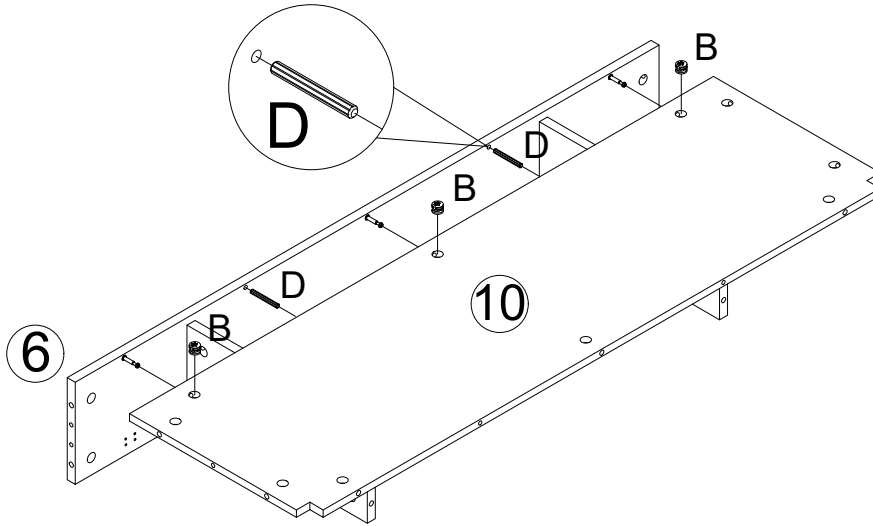
# Step 1



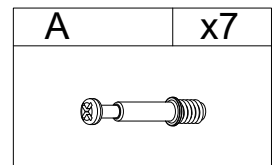
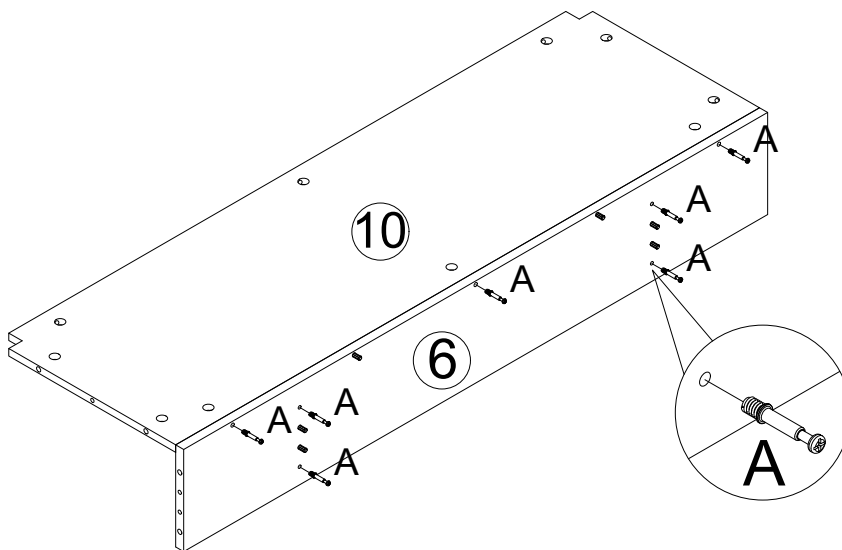
# Step 2



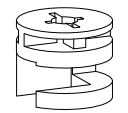
# Step 3

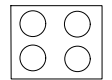


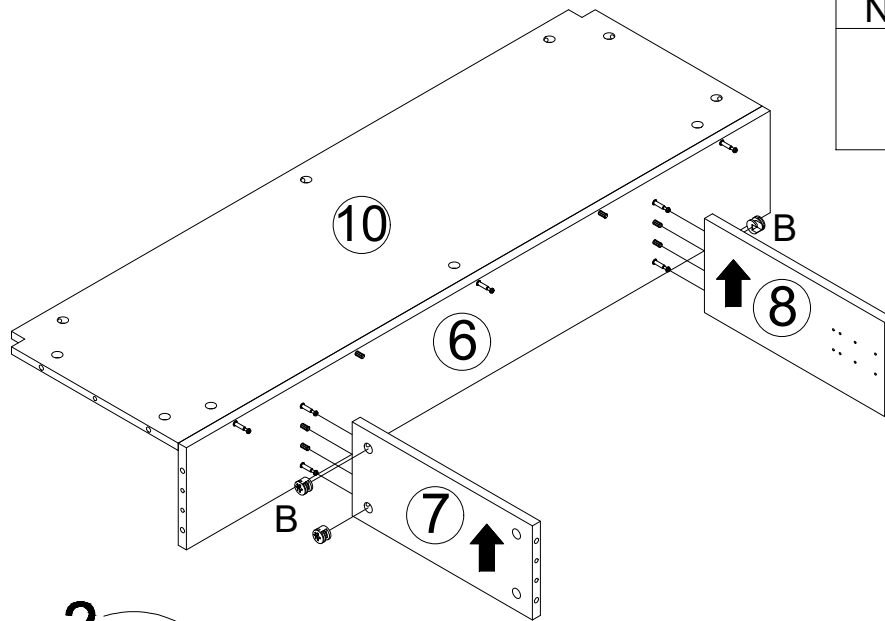
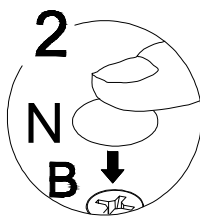
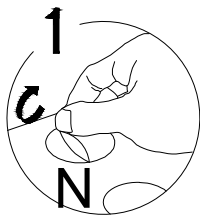
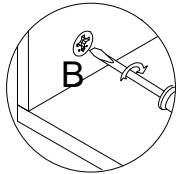
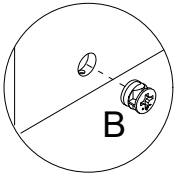
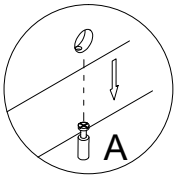
# Step 4



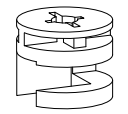
# Step 5

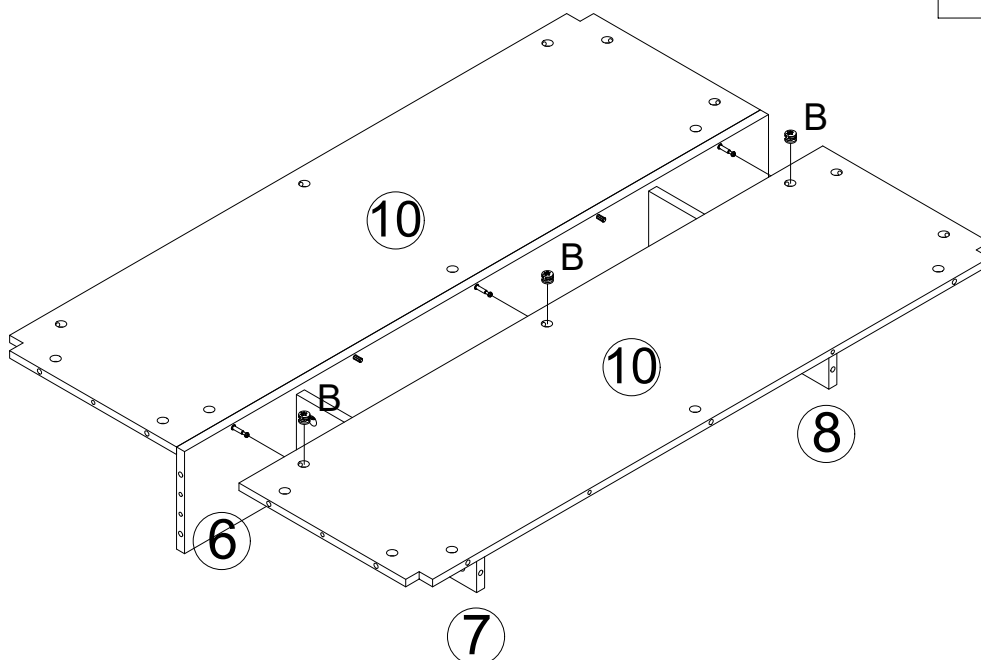
B	x4
	

N	x4
	

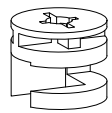


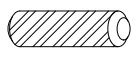
# Step 6

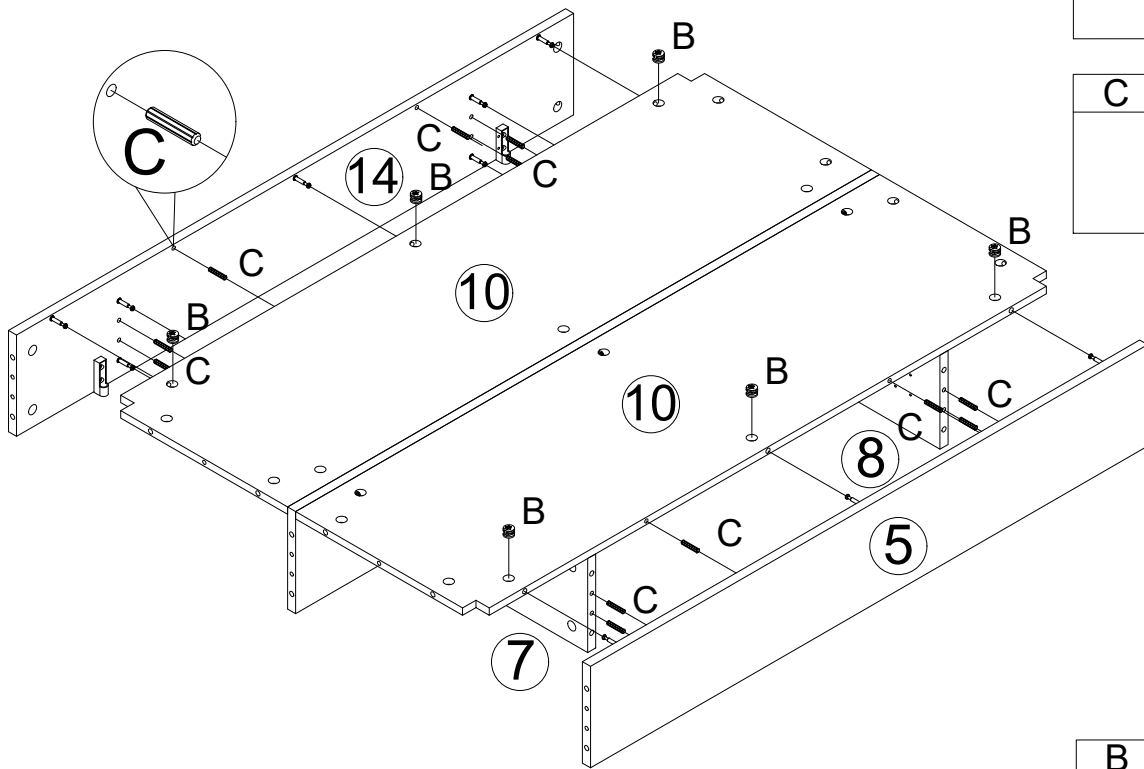
B	x3
	



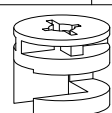
# Step 7

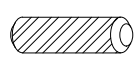
B	x6
	

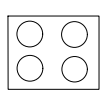
C	x12
	

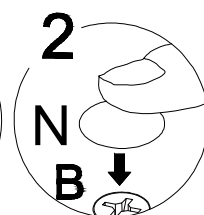
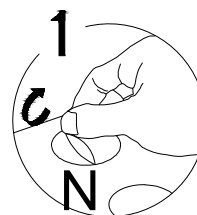
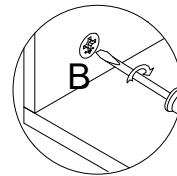
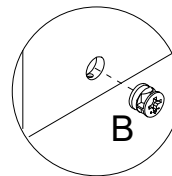
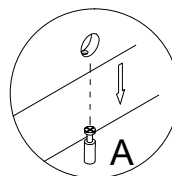
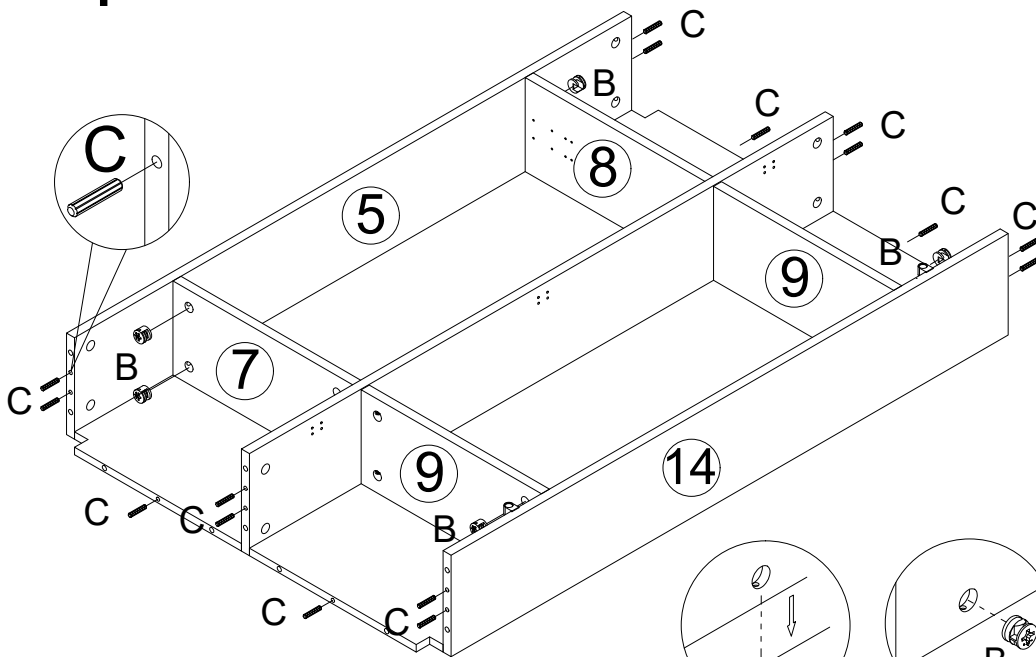


# Step 8

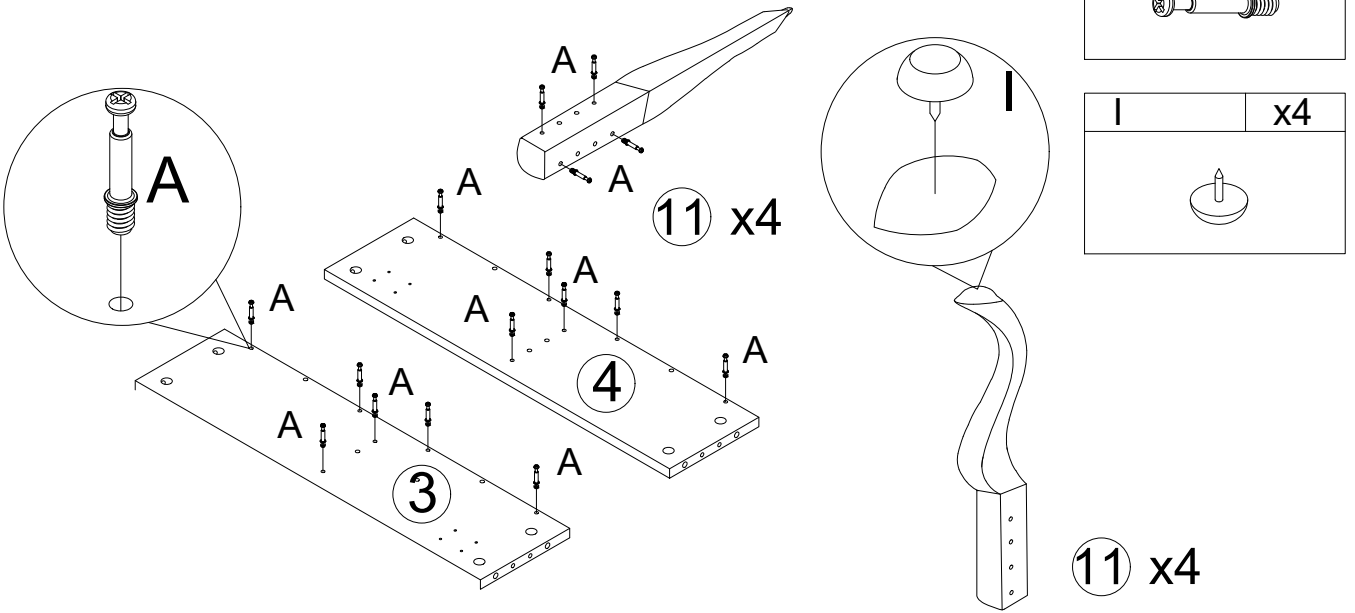
B	x8
	

C	x16
	

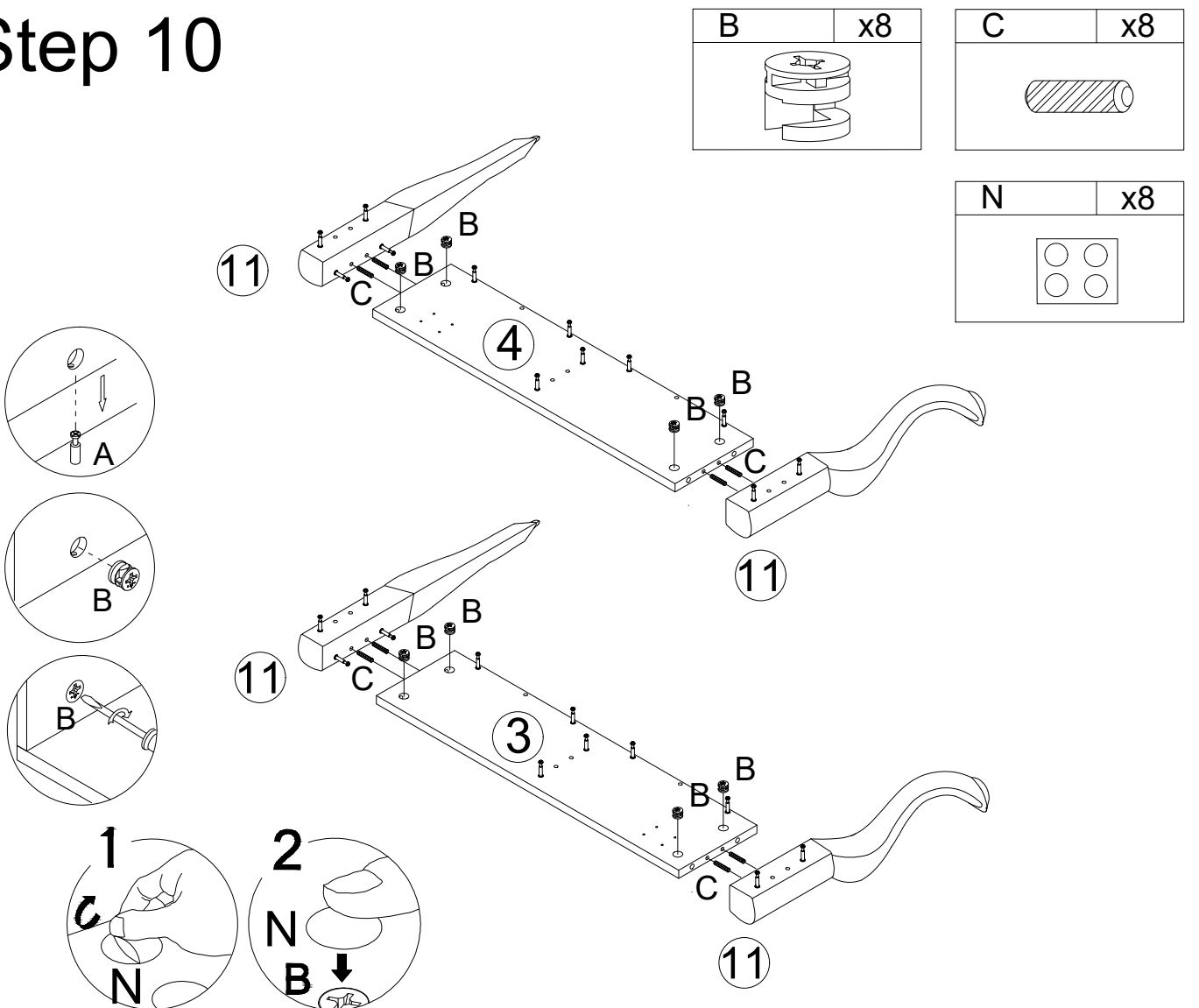
N	x8
	



# Step 9

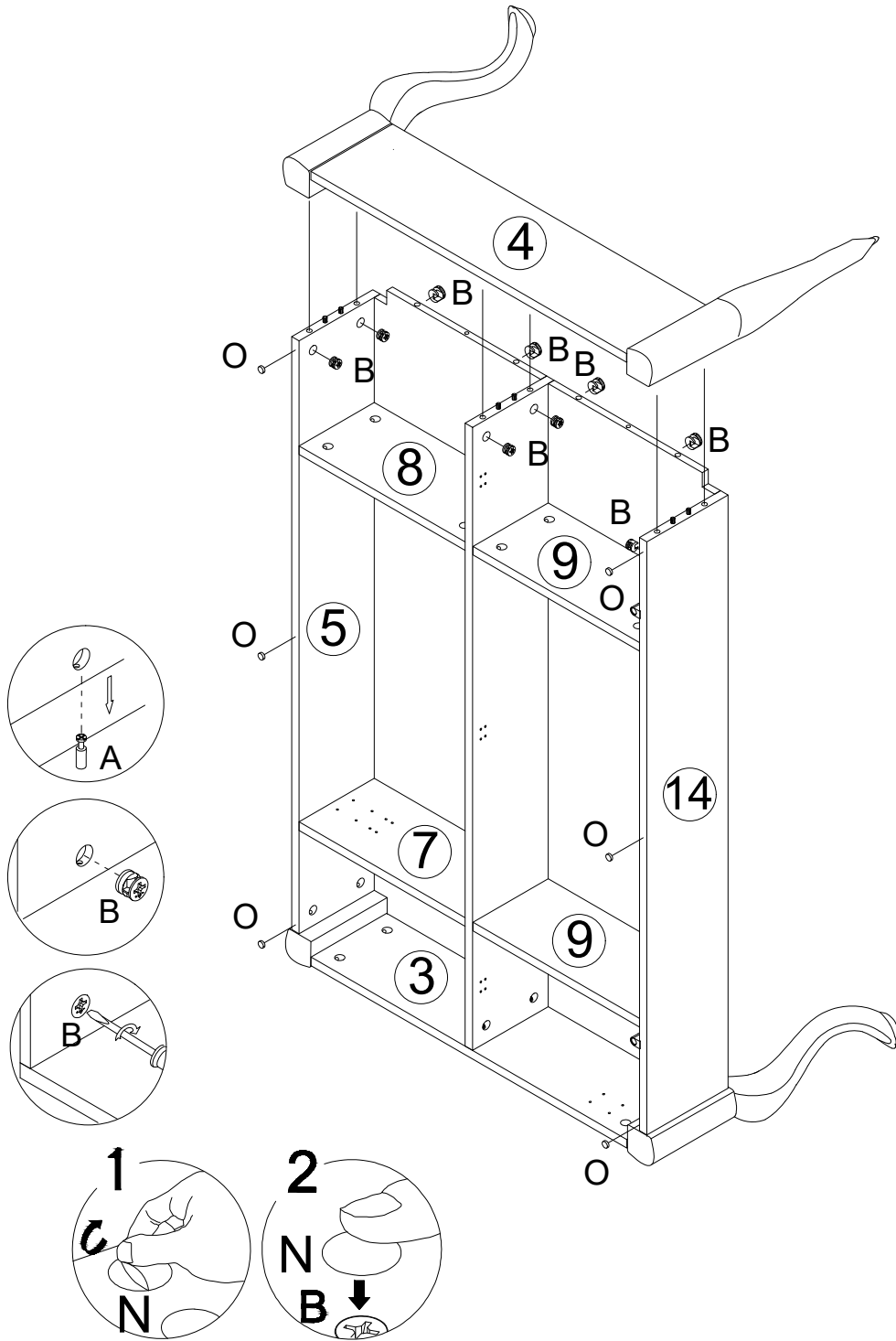
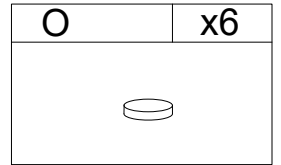
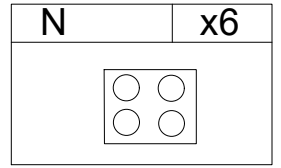
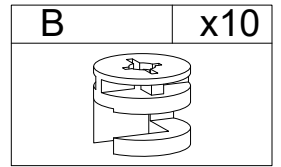


# Step 10

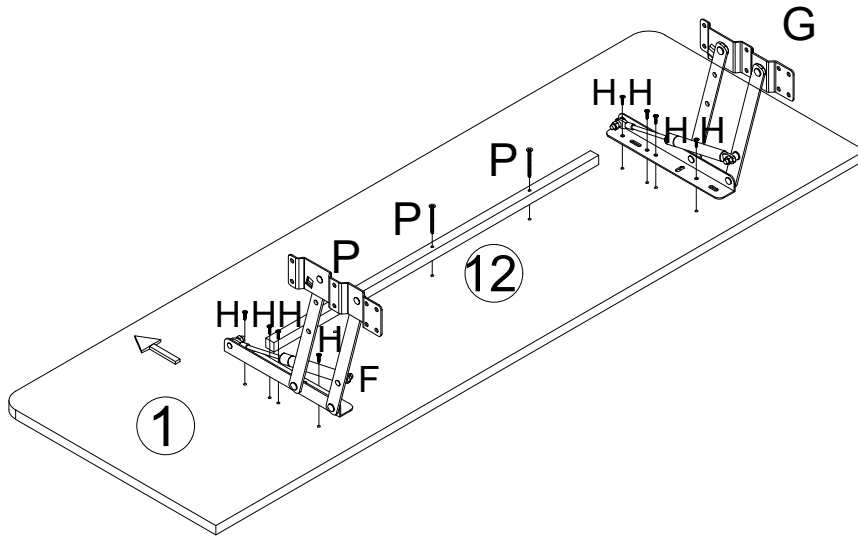
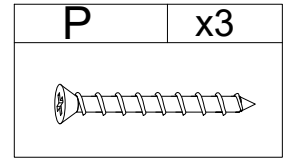
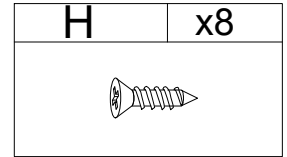
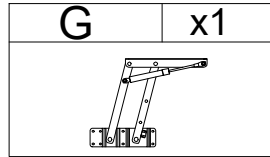
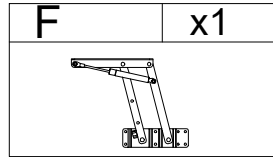




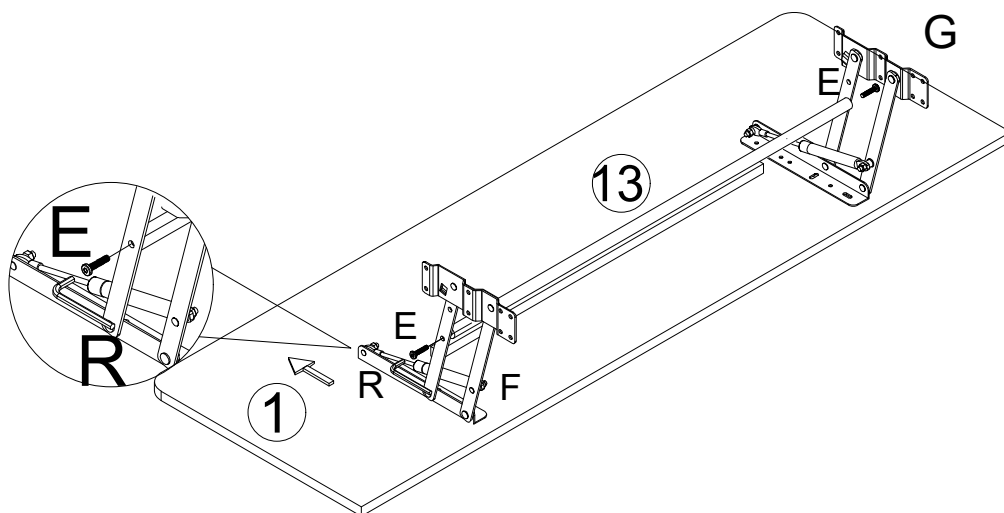
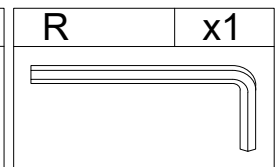
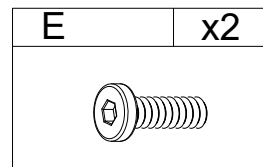
# Step 12



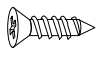
# Step 13

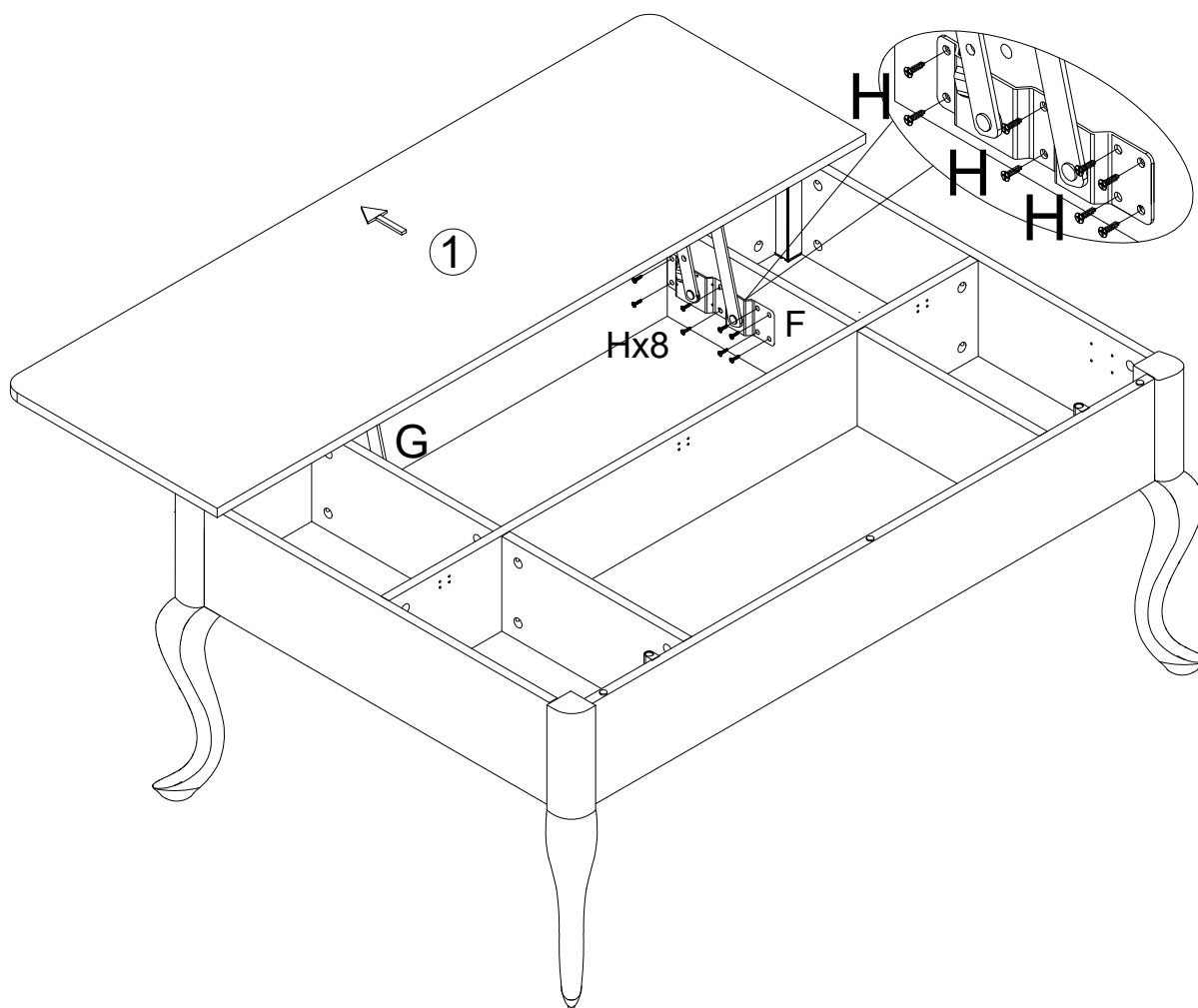


# Step 14

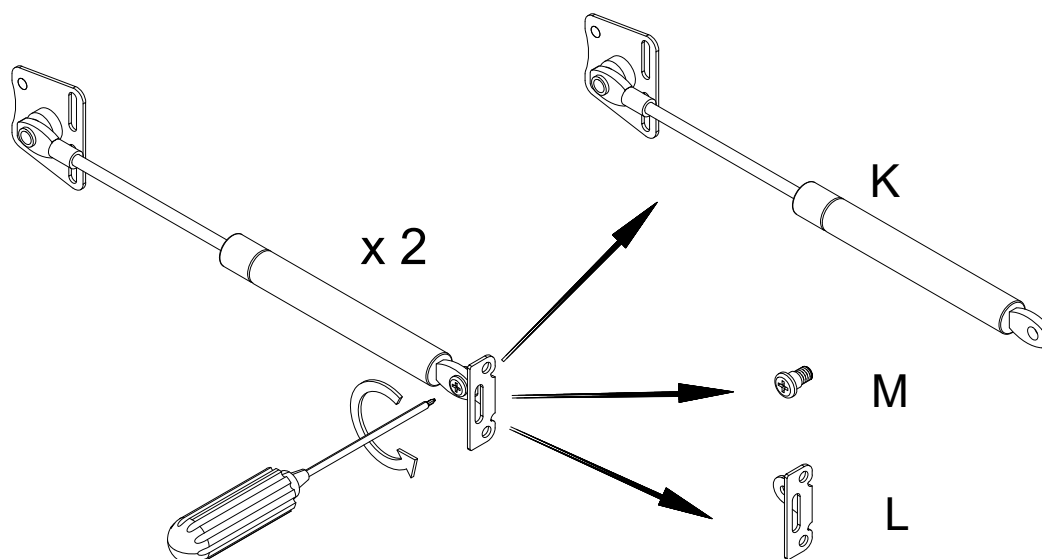


# Step 15

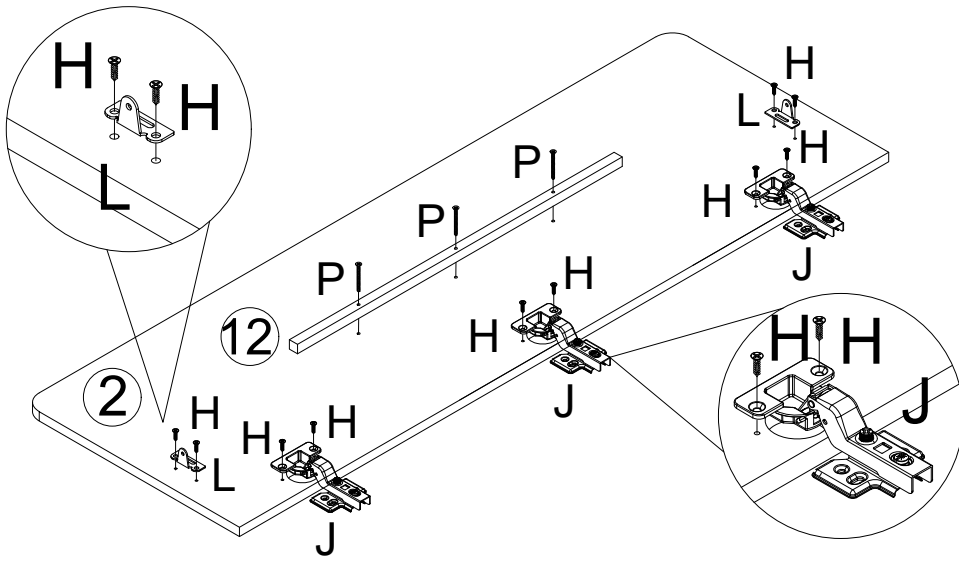
H	x16
	

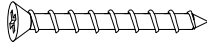



# Step 16

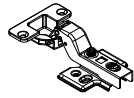


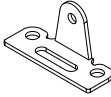
# Step 17



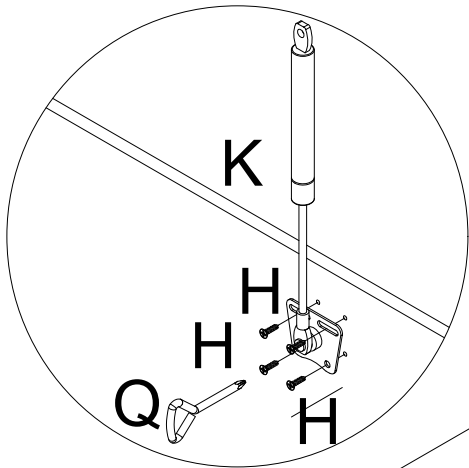
P	x3
	

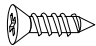
H	x10
	

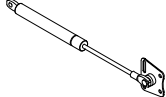
J	x3
	

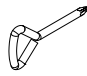
L	x2
	

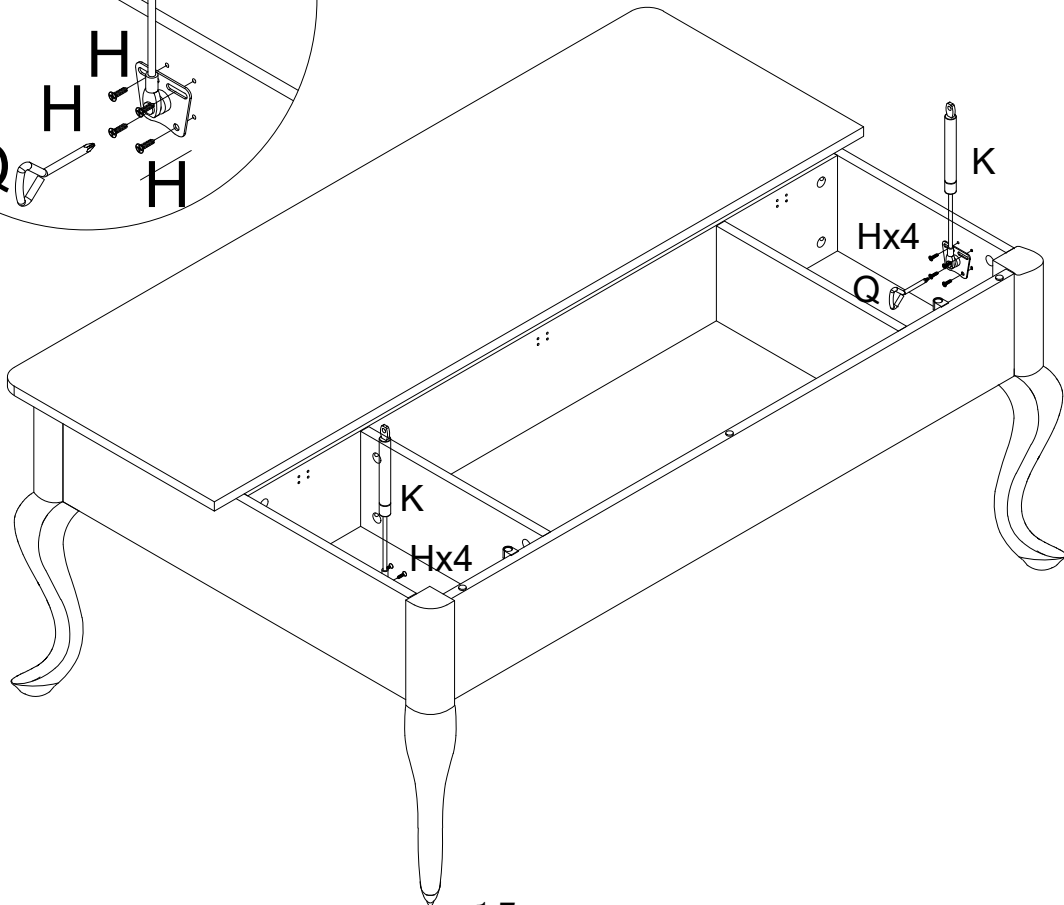
# Step 18




H	x8
	

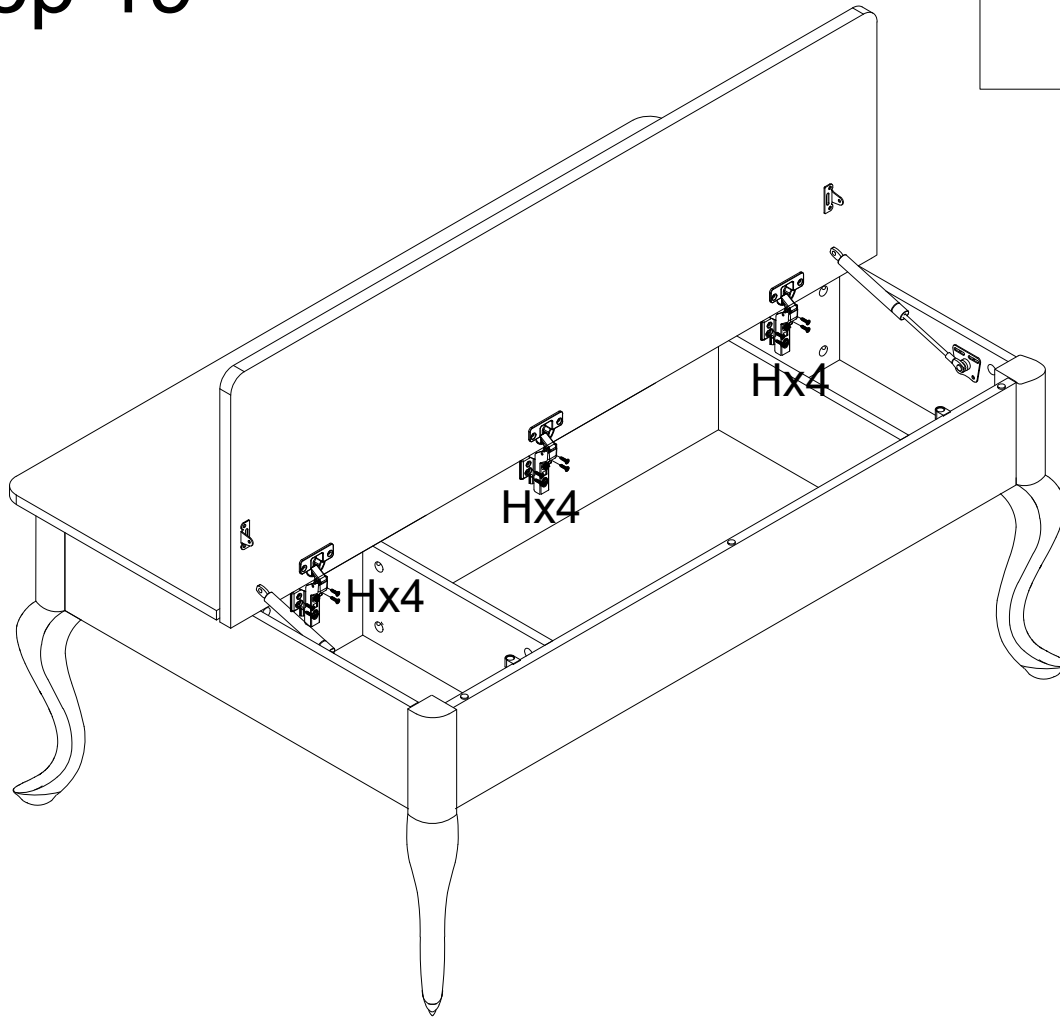
K	x2
	

Q	x1
	

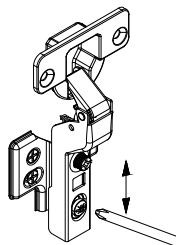
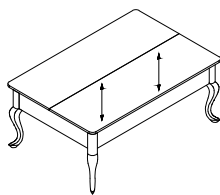


# Step 19

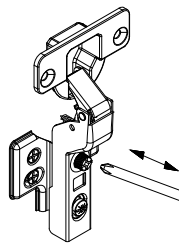
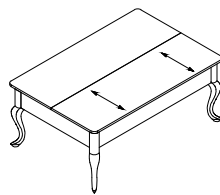
H	x12
	



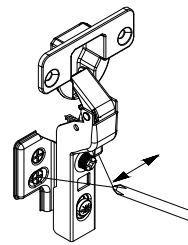
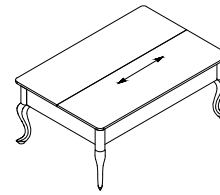
How do I get the two doors to align flat by adjusting the hinges?



1. The screws can be loosened to adjust the uneven problem under the table top.

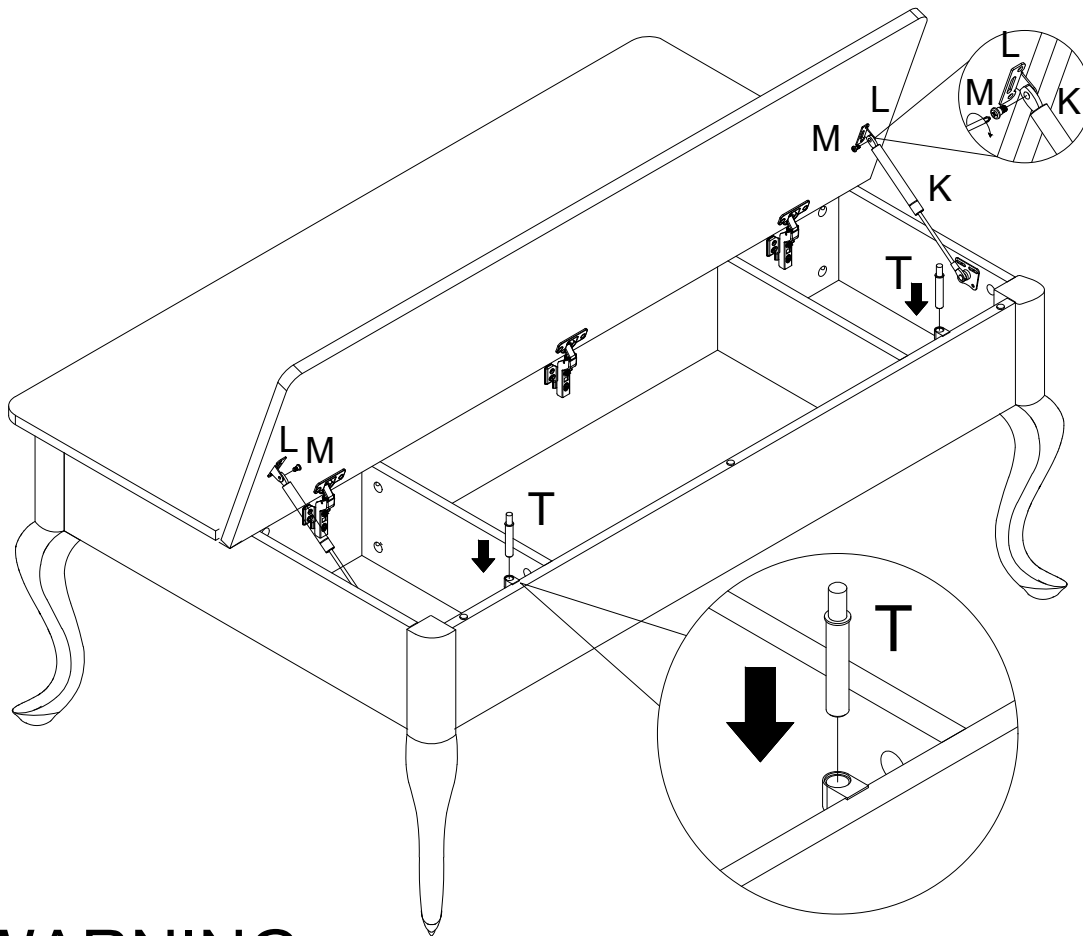
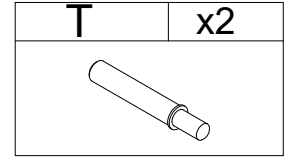
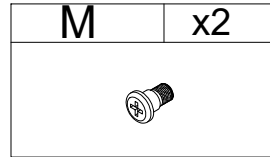


2. Adjust the screws shown in Fig. 2 and pull the door back and forth so that it can be opened smoothly.



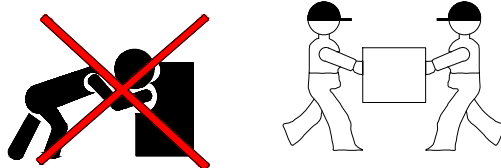
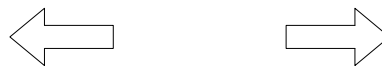
3. Adjust the screws shown in Figure 3 to adjust the door left and right to the right position.

# Step 20



## WARNING:

There is risk of pinching your hand when the tabletop down.  
Please be cautious.



Two people work together to move the table.  
Make sure you lift it off the ground.  
Don't push and pull.