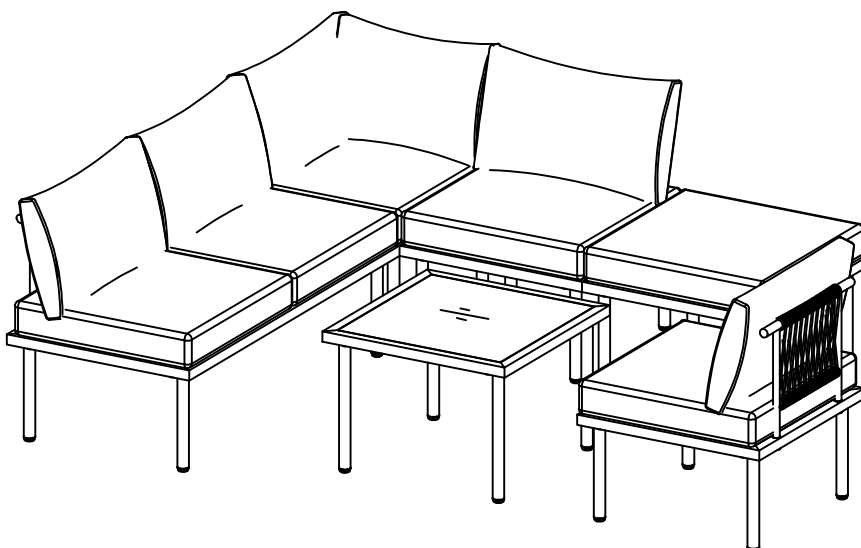


Installation Instruction

N634P247165

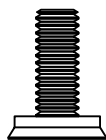
N634P247166



Importeur	COMHARBOR LIMITED
Add	Unit C, Swift Point, Cosford Lane, Rugby, CV21 1PY, GB
Email	Harborcomhar@gmail.com
Manufacturier	Linhai Kaibo outdoor furniture Co., Ltd
Add	No.32, Huifeng South Road, Linhai city, Zhejiang Province, China
Email/URL	kb@lhkaibo.com
UK REP	COMHARBOR LIMITED Unit C, Swift Point, Cosford Lane, Rugby, CV21 1PY, GB Harborcomhar@gmail.com

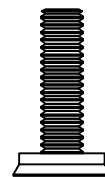
Warning:

- 1.Our product will be delivered to you in 2 packages.The delivery times of these 2 packages may differ, please be patient and thank you for your understanding.
- 2.Before installation, insert the screws into the holes and tighten them, but do not tighten them to 100%, 70% to 80% is sufficient. Finally, after all screws are installed, tighten all screws to 100%. If you encounter these issues, such as the holes cannot be aligned or some parts cannot be intalled please check if the screws are used correctly and adjust the tightness of the screws.
- 3.Do not use in heavy rain or damp conditions, and avoid prolonged exposure to rain. If the product becomes wet, allow it to dry thoroughly in a dry, well-ventilated area before using it again.
- 4.Extended exposure to sunlight may cause the material to fade or become damaged. It is recommended to use a sun cover. Regularly check the product for condition under strong sunlight to prevent material aging.
- 5.Do not overload. Avoid jumping on or applying excessive pressure to the product to prevent structural damage.
- 6.Use mild detergents and a soft cloth for cleaning. Do not use corrosive or harsh cleaning products.
- 7.Assemble according to the instructions. Improper assembly may cause instability. When moving the sofa, be careful to avoid scratching the floor or damaging the product.
- 8.Keep away from open flames or hot objects to avoid fire hazards.
- 9.Keep children and pets away from sharp parts of the product to prevent potential injuries.
- 10.When not in use, cover the product or store it in a dry, shaded area to extend its lifespan.



BOLT
M6*15mm

①

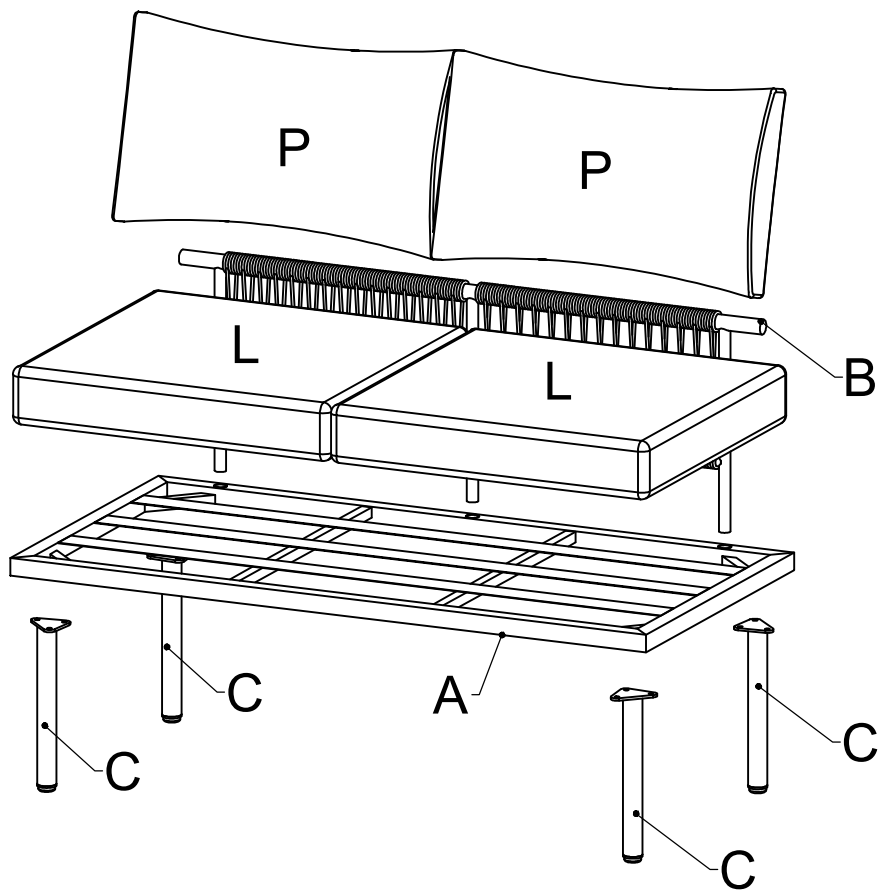


BOLT
M6*20mm

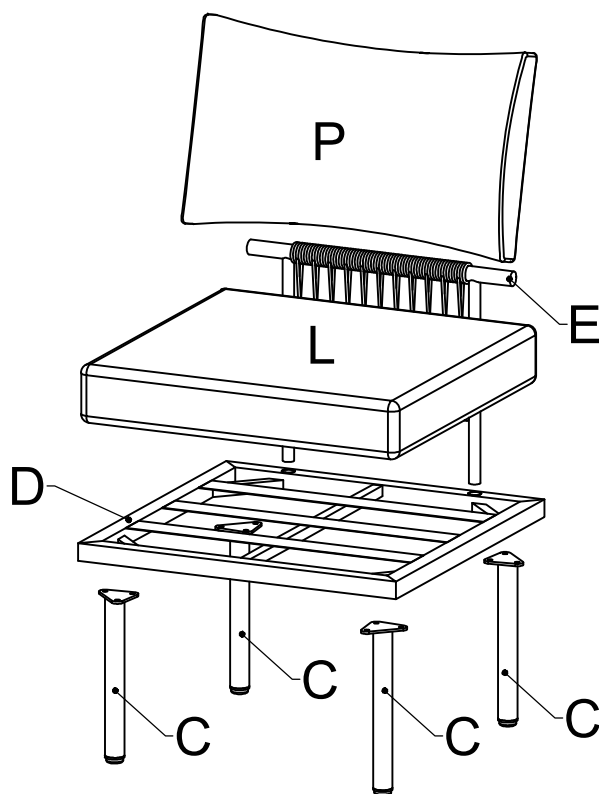
②

Please note that the shapes of screws 1 and 2 are similar. Please install according to the instructions and distinguish them!

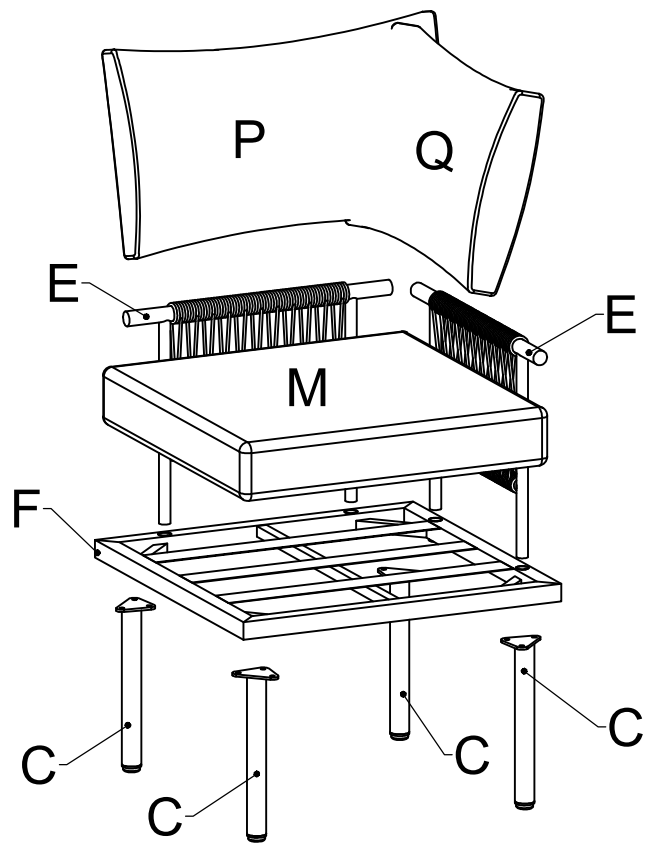
x 1



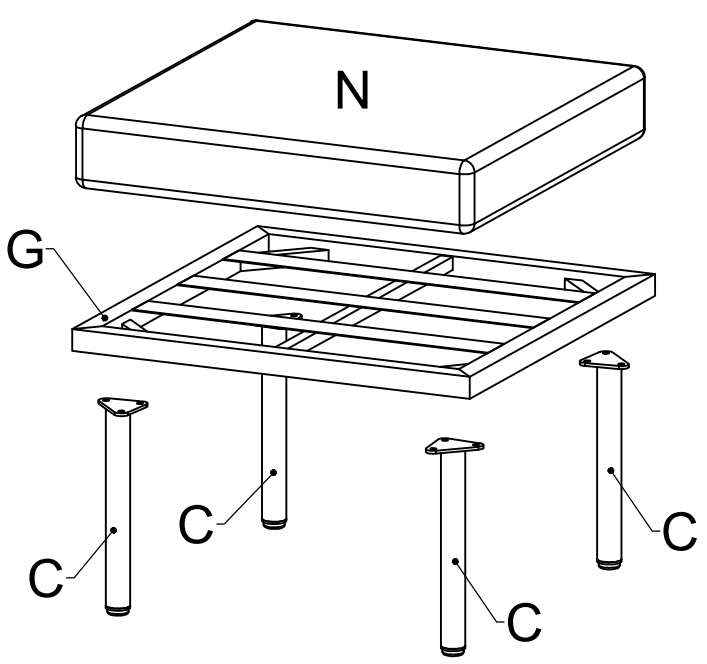
x 2



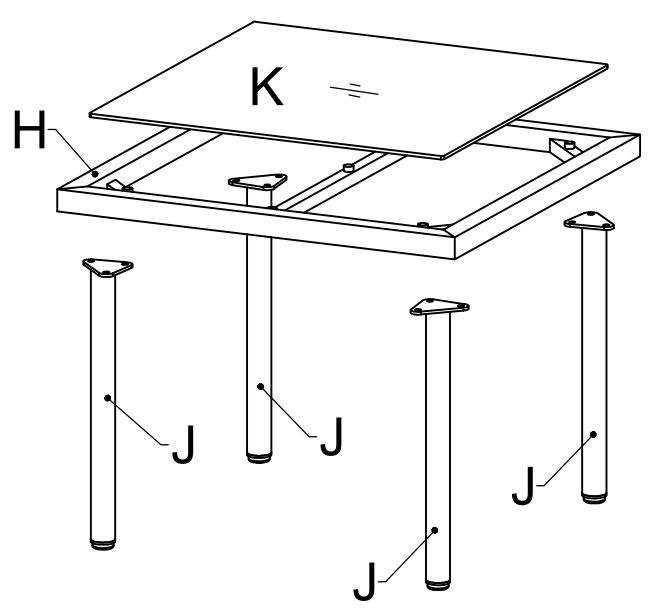
x 1



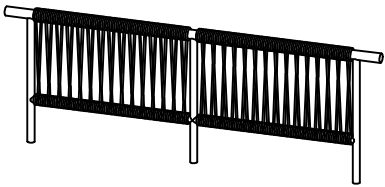
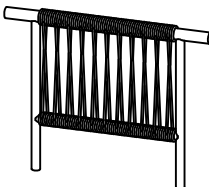
x 1

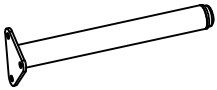
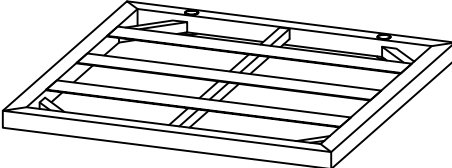
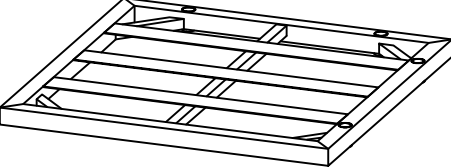


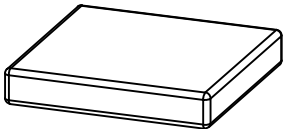
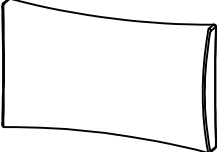
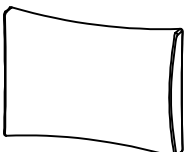
x 1



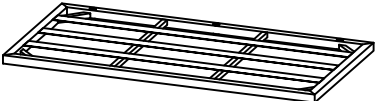
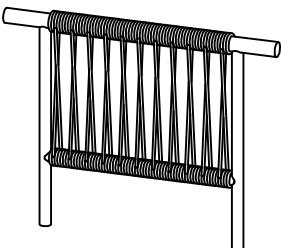
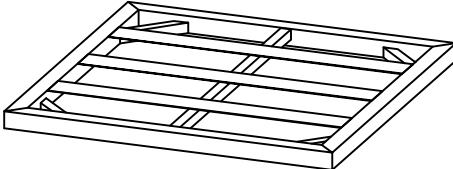
N634P247165

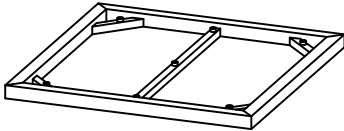
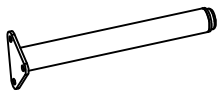
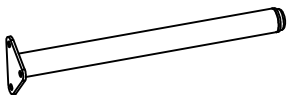
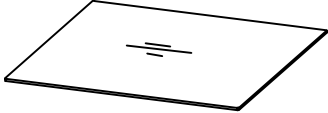
<p>B x 1</p> 	<p>E x 3</p> 
--	--

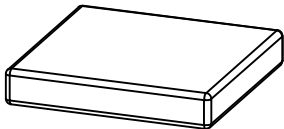
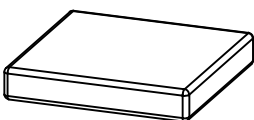
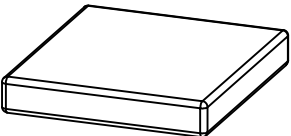
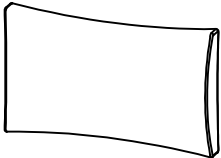
<p>C x 12</p> 	<p>D x 2</p> 	<p>F x 1</p> 
---	---	--

<p>L x 3</p> 	<p>P x 3</p> 	<p>Q x 1</p> 
---	---	---

N634P247166

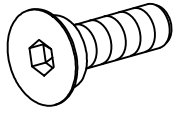
<p>A x 1</p> 	<p>E x 1</p> 	<p>G x 1</p> 
--	--	--

<p>H x 1</p> 	<p>C x 8</p> 	<p>J x 4</p> 	<p>K x 1</p> 
---	--	---	--

<p>L x 1</p> 	<p>M x 1</p> 	<p>N x 1</p> 	<p>P x 2</p> 
--	--	---	--

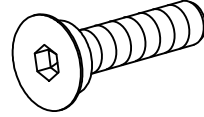
N634P247165

① x 11



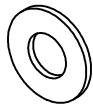
M6*15mm

② x 72

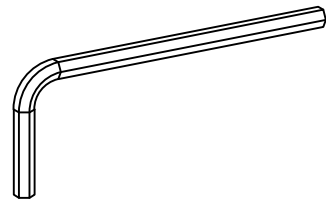


M6*20mm

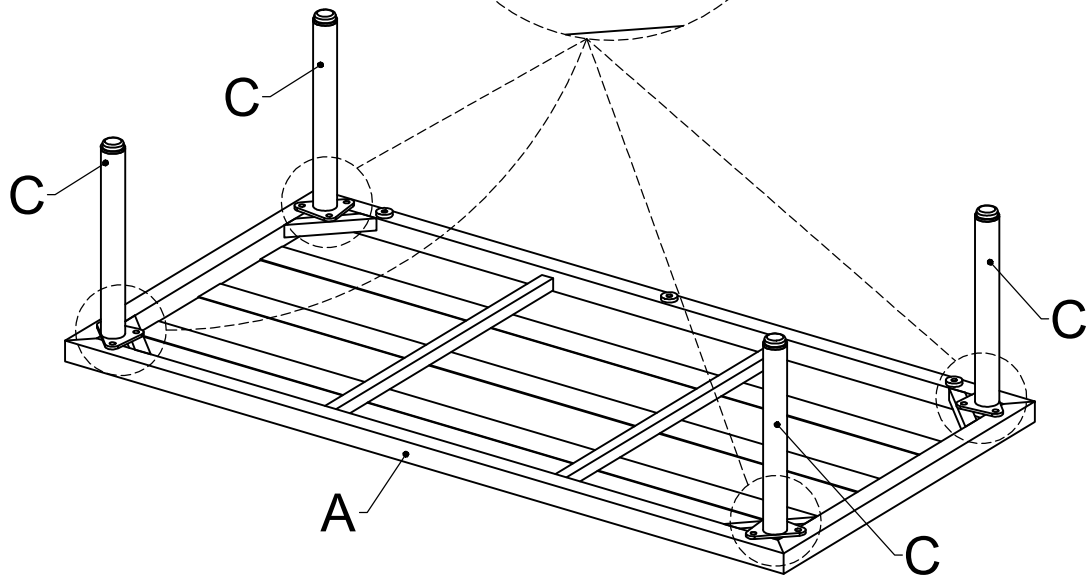
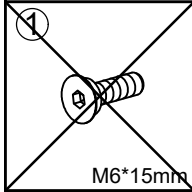
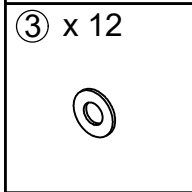
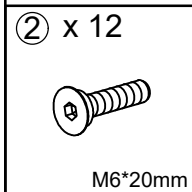
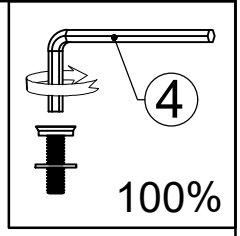
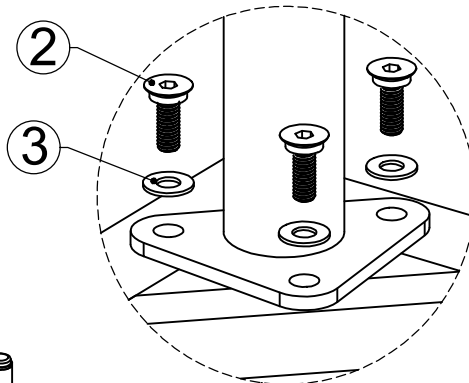
③ x 83



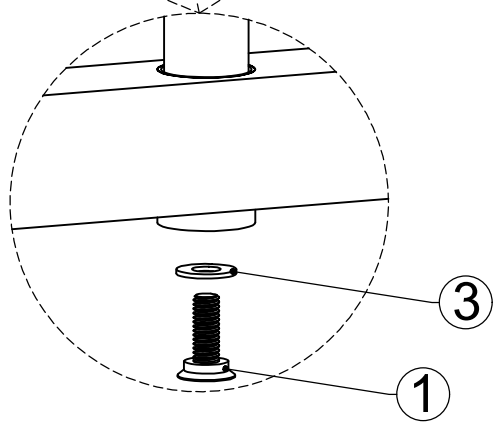
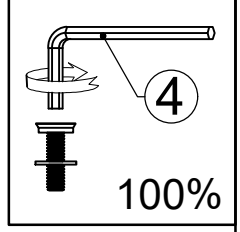
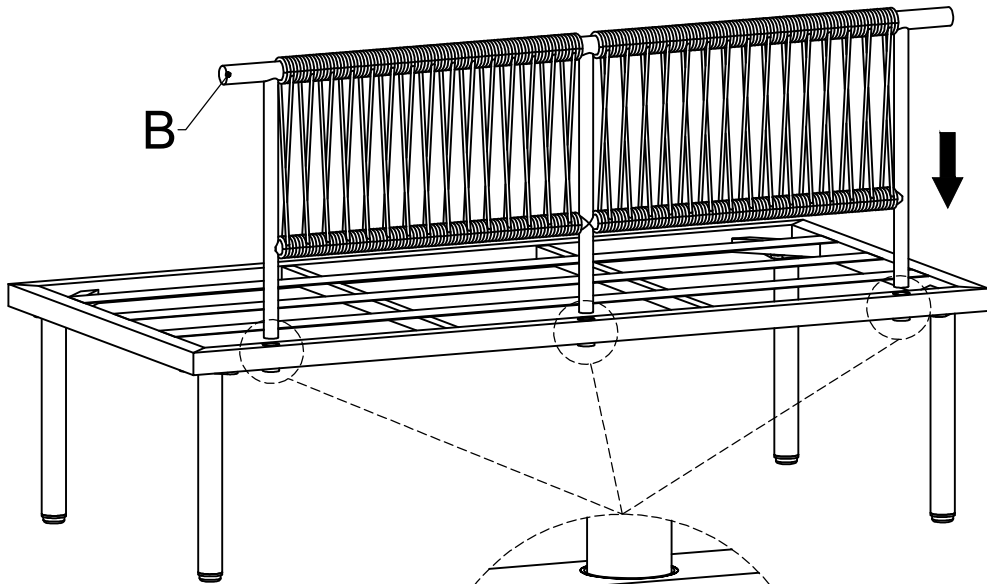
④ x 1



STEP 1

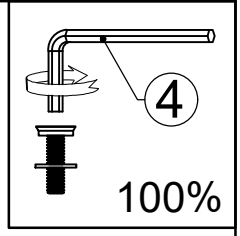
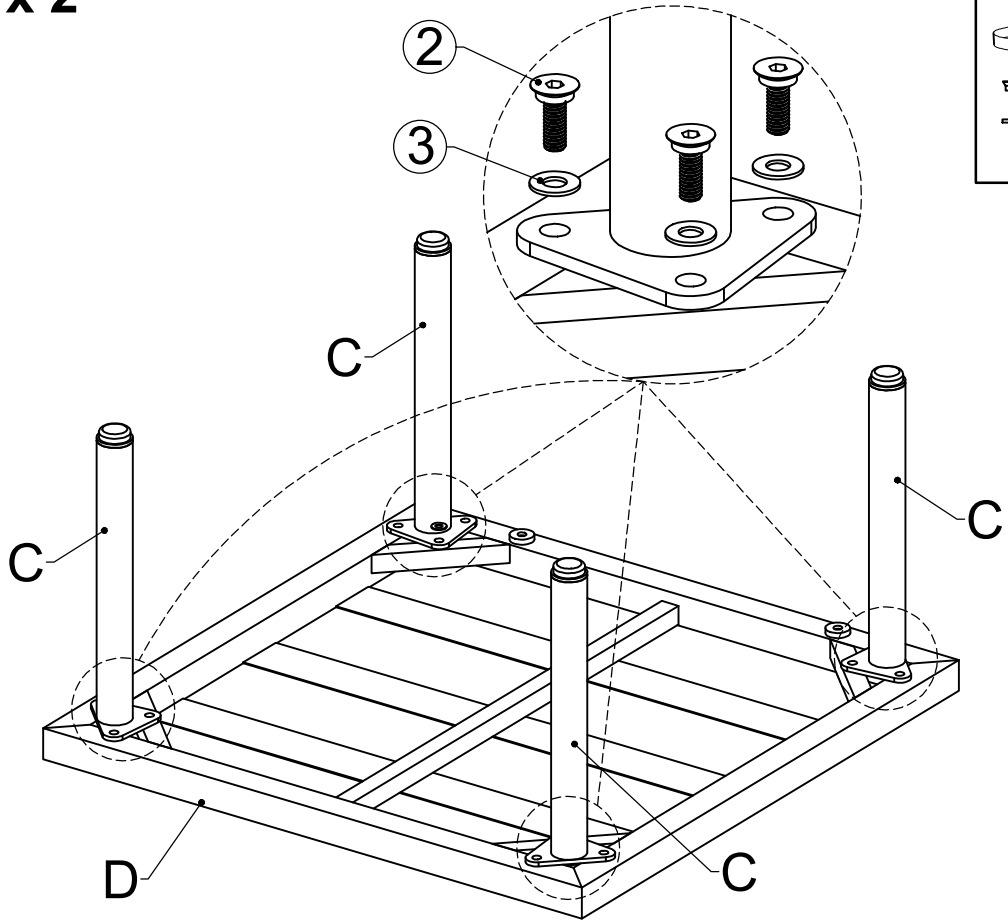


STEP 2



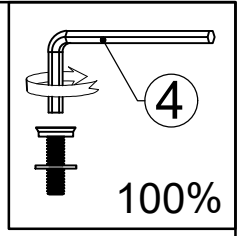
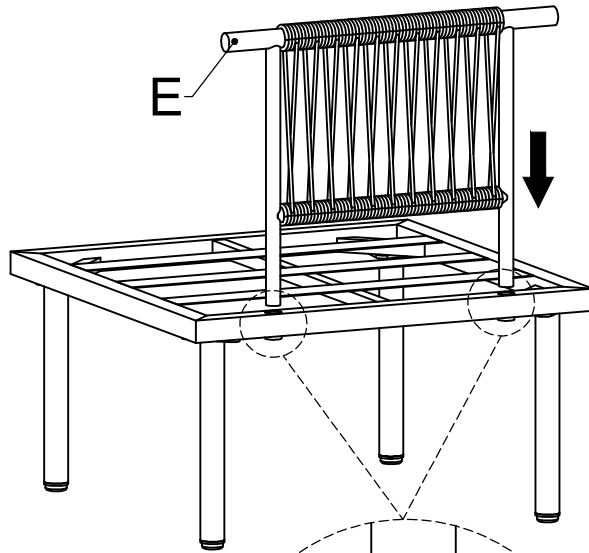
- ① x 3
M6*15mm
- ③ x 3
- ~~②~~
M6*20mm

STEP 3 x 2

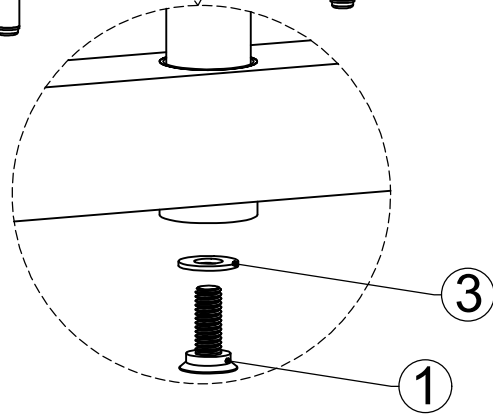


- ② x 12
M6*20mm
- ③ x 12
- ①
M6*15mm

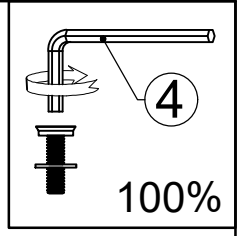
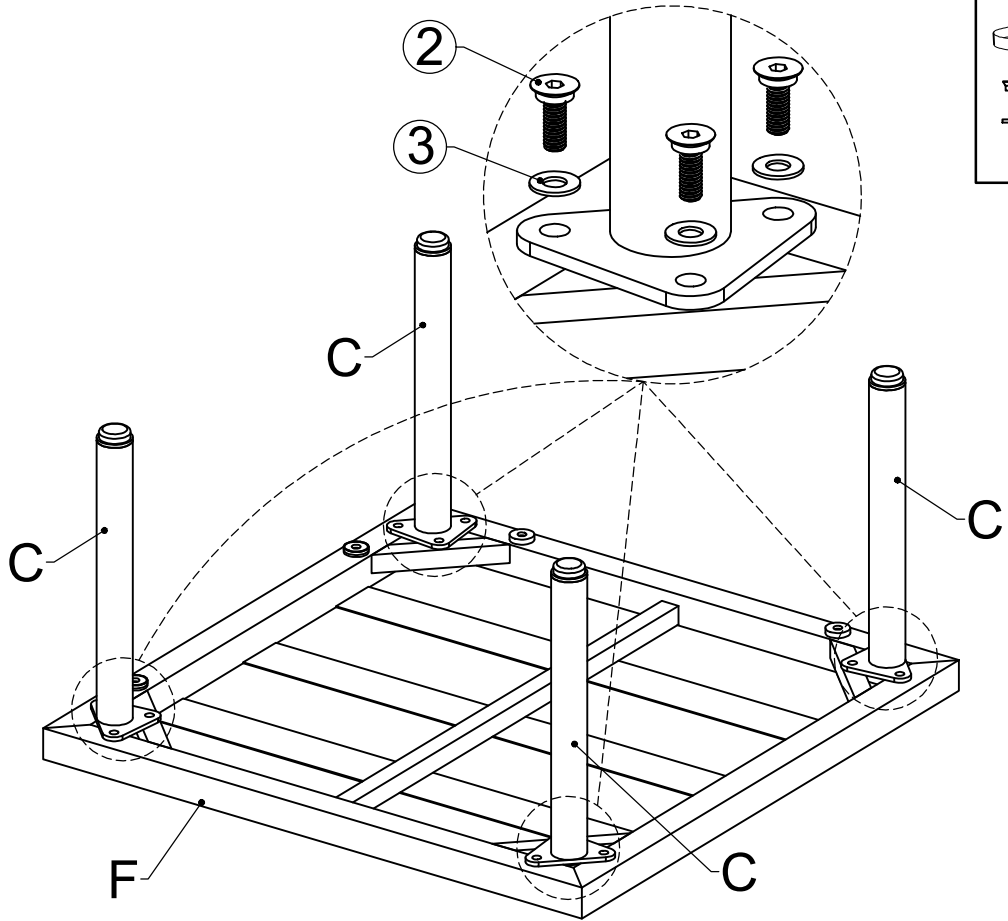
STEP 4 x 2



- ① x 2
M6*15mm
- ③ x 2
- ~~②~~
M6*20mm

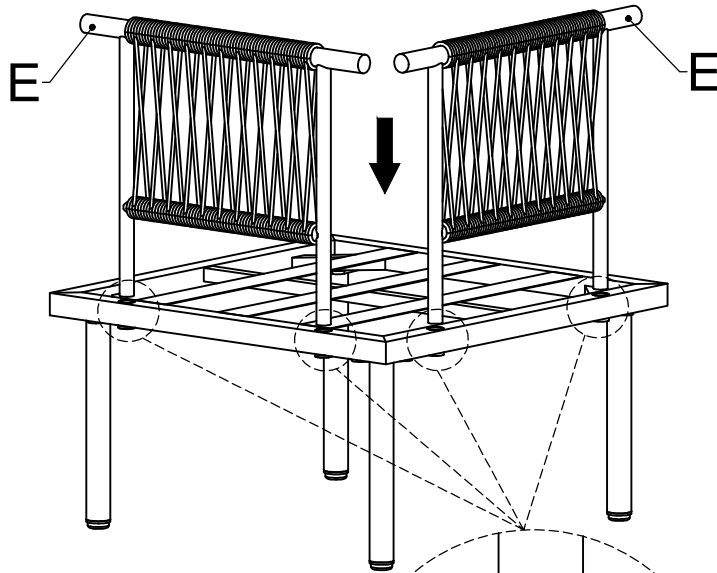


STEP 5



- ② x 12
M6*20mm
- ③ x 12
- ①
M6*15mm

STEP 6



① x 4



M6*15mm

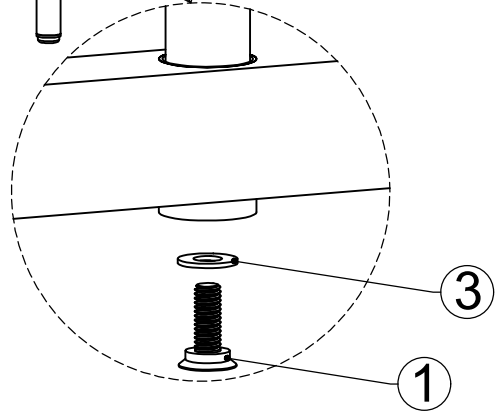
③ x 4



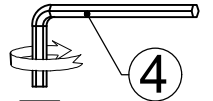
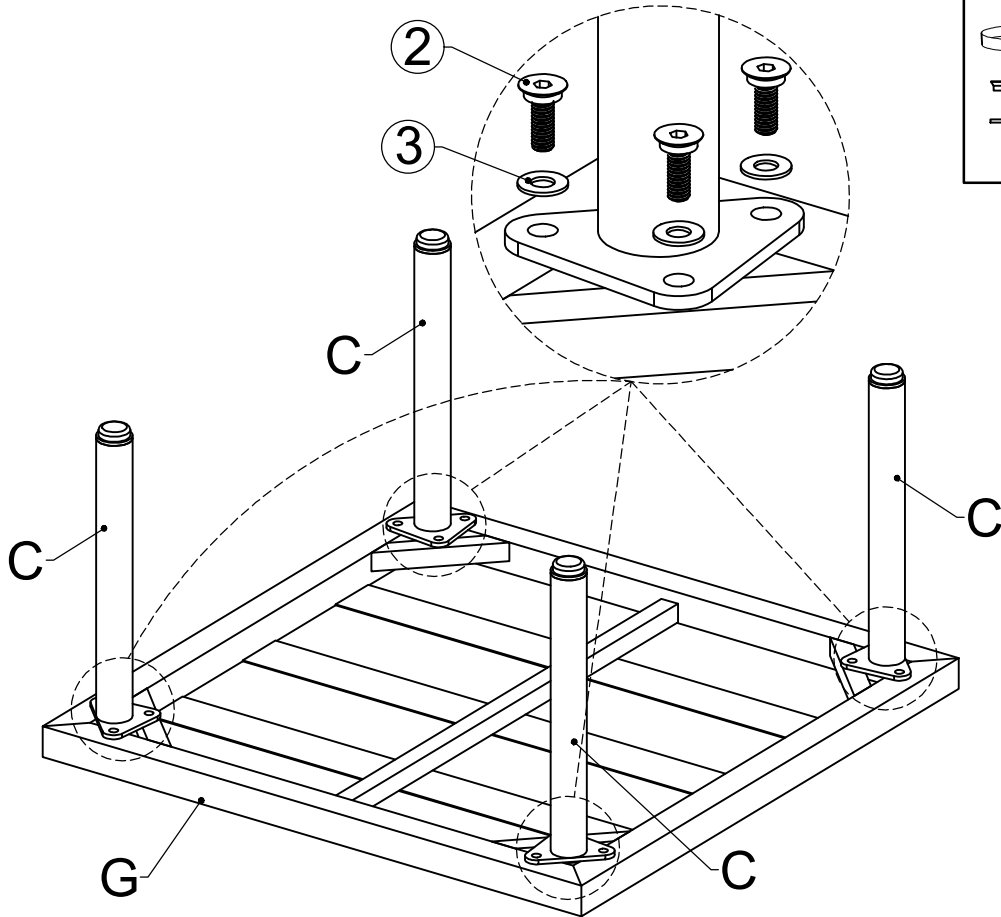
~~②~~



~~M6*20mm~~



STEP 7



100%

② x 12



M6*20mm

③ x 12



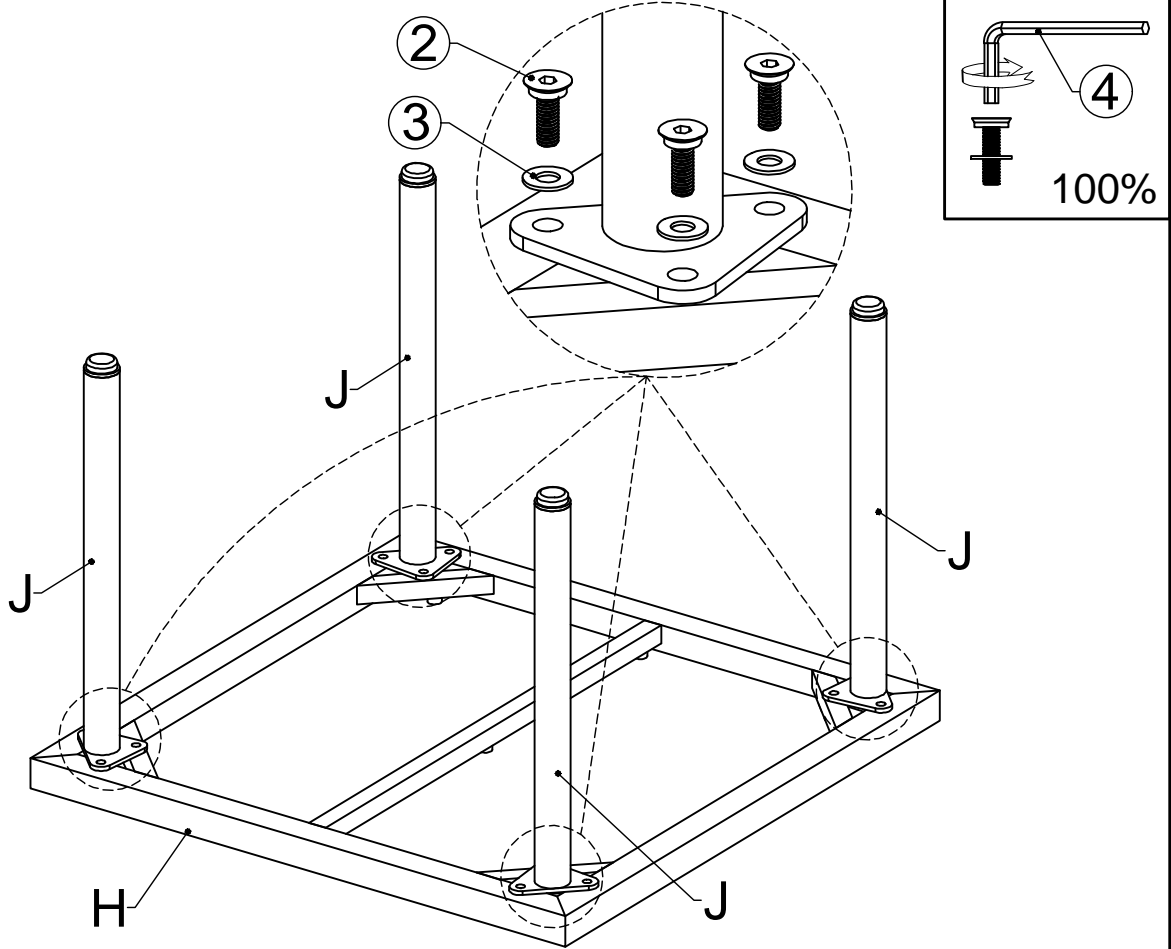
~~①~~



~~M6*15mm~~

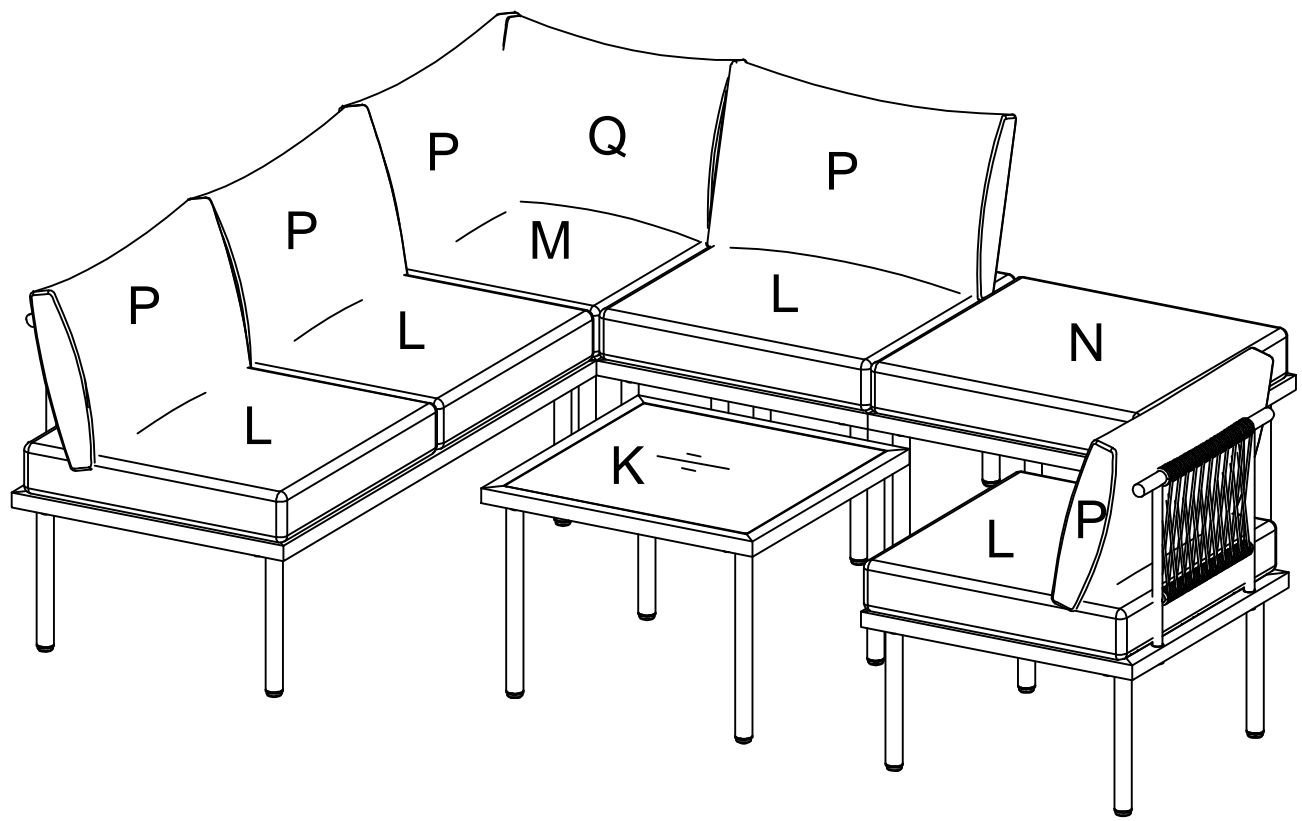
STEP 8

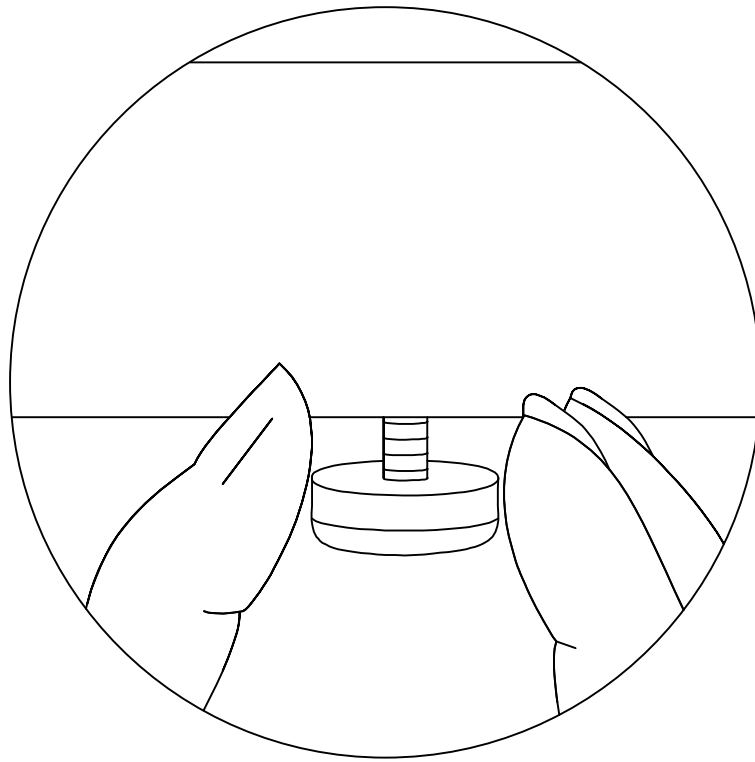
- ② x 12
M6*20mm
- ③ x 12
- ④
M6*15mm



STEP 9

FINISHED





UK: The adjustable feet are used to regulate the height of the product legs, ensuring stability and preventing wobbling. Rotate the feet as needed for proper adjustment.